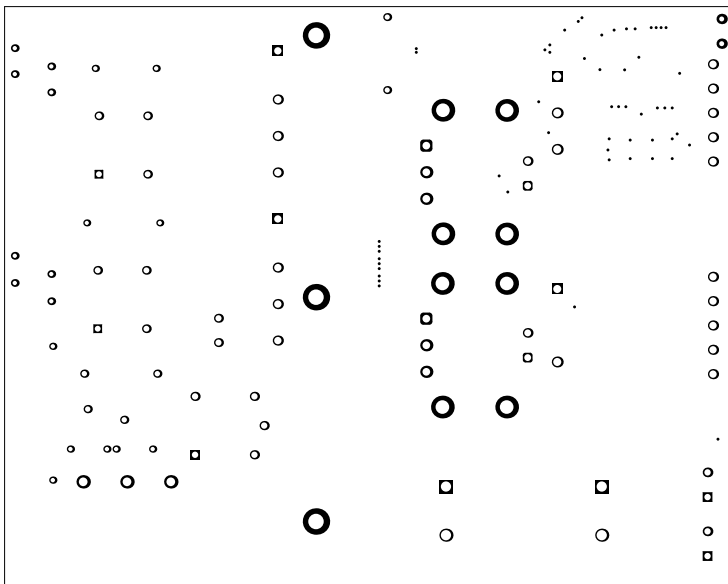
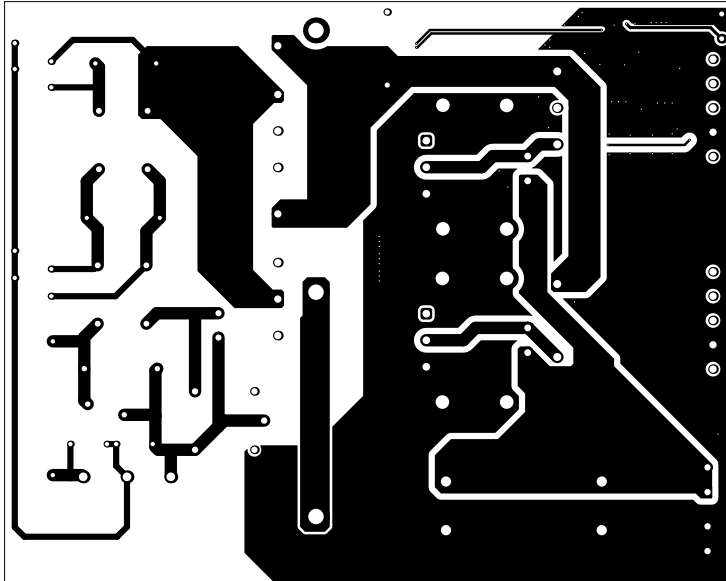


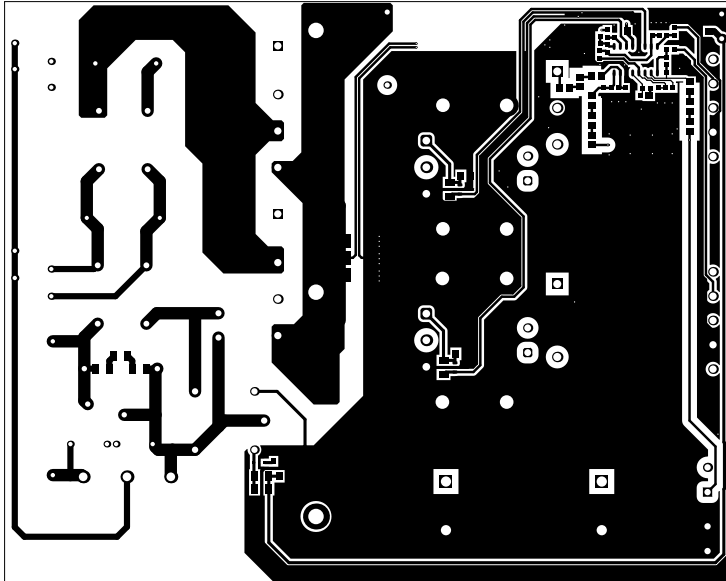
ALL ARTWORK VIEWED FROM TOP SIDE	BOARD #: PMP21366	REV: B	SUN REV: Not In VersionControl
LAYER NAME = Top Overlay	TID #: N/A		
PLOT NAME = Top Overlay	GENERATED : 10/24/2018 11:30:49 AM		TEXAS INSTRUMENTS



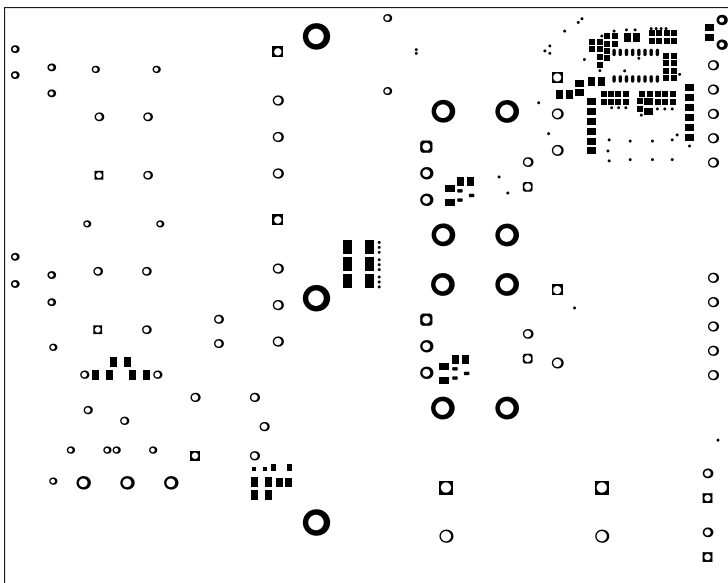
ALL ARTWORK VIEWED FROM TOP SIDE	BOARD #: PMP21366	REV: B	SUN REV: Not In VersionControl
LAYER NAME = Top Solder	TID #: N/A		
PLOT NAME = Top Solder Mask	GENERATED : 10/24/2018 11:30:50 AM	TEXAS INSTRUMENTS	



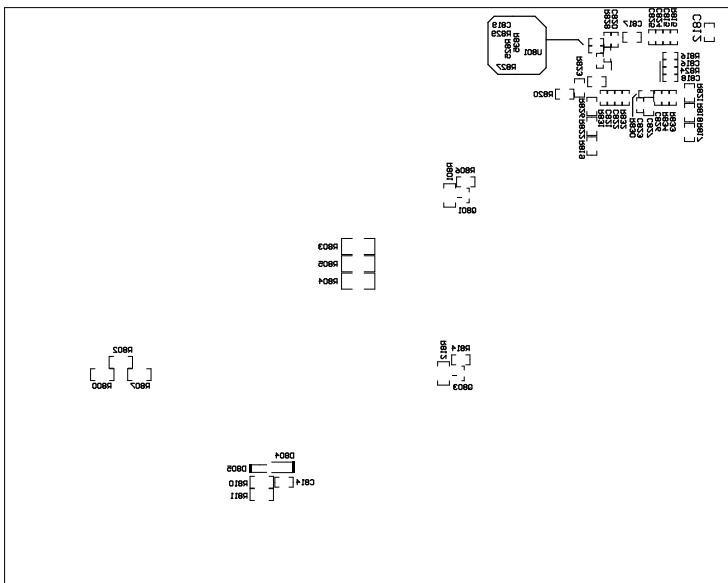
ALL ARTWORK VIEWED FROM TOP SIDE	BOARD #: PMP21366	REV: B	SUN REV: Not In VersionControl
LAYER NAME = Top Layer	TID #: N/A		
PLOT NAME = Top Layer	GENERATED : 10/24/2018 11:30:52 AM		TEXAS INSTRUMENTS



ALL ARTWORK VIEWED FROM TOP SIDE	BOARD #: PMP21366	REV: B	SUN REV: Not In VersionControl
LAYER NAME = Bottom Layer	TID #: N/A		
PLOT NAME = Bottom Layer	GENERATED : 10/24/2018 11:30:53 AM	TEXAS INSTRUMENTS	

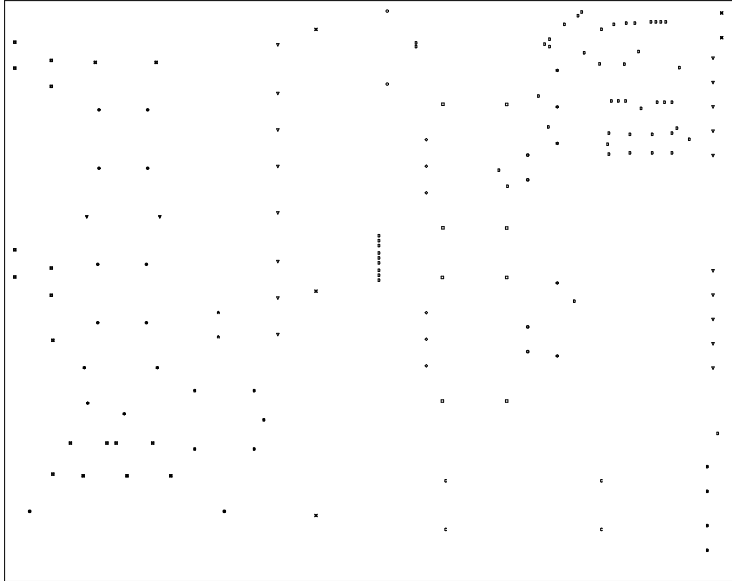


ALL ARTWORK VIEWED FROM TOP SIDE	BOARD #: PMP21366	REV: B	SUN REV: Not In VersionControl
LAYER NAME = Bottom Solder	TID #: N/A		
PLOT NAME = Bottom Solder Mask	GENERATED : 10/24/2018 11:30:54 AM		TEXAS INSTRUMENTS



ALL ARTWORK VIEWED FROM TOP SIDE	BOARD #: PMP21366	REV: B	SUN REV: Not In VersionControl
LAYER NAME = Bottom Overlay	TID #: N/A		
PLOT NAME = Bottom Overlay	GENERATED : 10/24/2018 11:30:56 AM	TEXAS INSTRUMENTS	

Symbol	Count	Hole Size	Plated	Hole Type	Drill Layer Pair	Via/Pad	Pad Shape	Template	Description	Hole Tolerance (+)	Hole Tolerance (-)
▽	2	33.47mil (0.850mm)	PTH	Round	Top Layer - Bottom Layer	Pad	Rounded	c135h85			
✕	2	40.00mil (1.016mm)	PTH	Round	Top Layer - Bottom Layer	Pad	Rounded	c203h102			
○	2	41.34mil (1.050mm)	PTH	Round	Top Layer - Bottom Layer	Pad	Rounded	c155h105			
△	2	49.21mil (1.250mm)	PTH	Round	Top Layer - Bottom Layer	Pad	Rounded	c175h125			
⊙	2	137.80mil (3.500mm)	NPTH	Round	Top Layer - Bottom Layer	Pad	Rounded	c100hn390			
✕	3	70.00mil (1.778mm)	PTH	Round	Top Layer - Bottom Layer	Pad	Rounded	c267h178			
✕	3	125.00mil (3.175mm)	PTH	Round	Top Layer - Bottom Layer	Pad	Rounded	c533h318			
✕	4	43.31mil (1.100mm)	PTH	Round	Top Layer - Bottom Layer	Pad	Rounded	c160h110			
⊙	4	55.12mil (1.400mm)	PTH	Round	Top Layer - Bottom Layer	Pad	(Mixed)	(Mixed)			
C	4	82.68mil (2.100mm)	PTH	Round	Top Layer - Bottom Layer	Pad	(Mixed)	(Mixed)			
✕	5	64.96mil (1.650mm)	PTH	Round	Top Layer - Bottom Layer	Pad	(Mixed)	(Mixed)			
◇	6	62.00mil (1.575mm)	PTH	Round	Top Layer - Bottom Layer	Pad	(Mixed)	(Mixed)			
⊠	8	35.00mil (0.889mm)	PTH	Round	Top Layer - Bottom Layer	Pad	Rounded	c150h89			
⊠	8	35.43mil (0.900mm)	PTH	Round	Top Layer - Bottom Layer	Pad	Rounded	c140h90			
⊙	8	47.24mil (1.200mm)	PTH	Round	Top Layer - Bottom Layer	Pad	(Mixed)	(Mixed)			
□	8	110.24mil (2.800mm)	PTH	Round	Top Layer - Bottom Layer	Pad	Rounded	c457h280			
B	9	51.18mil (1.300mm)	PTH	Round	Top Layer - Bottom Layer	Pad	(Mixed)	(Mixed)			
▽	18	59.06mil (1.500mm)	PTH	Round	Top Layer - Bottom Layer	Pad	(Mixed)	(Mixed)			
D	54	10.00mil (0.254mm)	PTH	Round	Top Layer - Bottom Layer	Via	Rounded	v51h25			
	152 Total										



ALL ARTWORK VIEWED FROM TOP SIDE	BOARD #: PMP21366	REV: B	SUN REV: Not In VersionControl
LAYER NAME = Drill Drawing	TID #: N/A		
PLOT NAME = Drill Drawing	GENERATED : 10/24/2018 11:30:57 AM		TEXAS INSTRUMENTS



ALL ARTWORK VIEWED FROM TOP SIDE	BOARD #: PMP21366	REV: B	SUN REV: Not In VersionControl
LAYER NAME = M2 Board Dimensions	TID #: N/A		
PLOT NAME = Board Dimensions	GENERATED : 10/24/2018 11:30:59 AM		TEXAS INSTRUMENTS

IMPORTANT NOTICE AND DISCLAIMER

TI PROVIDES TECHNICAL AND RELIABILITY DATA (INCLUDING DATASHEETS), DESIGN RESOURCES (INCLUDING REFERENCE DESIGNS), APPLICATION OR OTHER DESIGN ADVICE, WEB TOOLS, SAFETY INFORMATION, AND OTHER RESOURCES "AS IS" AND WITH ALL FAULTS, AND DISCLAIMS ALL WARRANTIES, EXPRESS AND IMPLIED, INCLUDING WITHOUT LIMITATION ANY IMPLIED WARRANTIES OF MERCHANTABILITY, FITNESS FOR A PARTICULAR PURPOSE OR NON-INFRINGEMENT OF THIRD PARTY INTELLECTUAL PROPERTY RIGHTS.

These resources are intended for skilled developers designing with TI products. You are solely responsible for (1) selecting the appropriate TI products for your application, (2) designing, validating and testing your application, and (3) ensuring your application meets applicable standards, and any other safety, security, or other requirements. These resources are subject to change without notice. TI grants you permission to use these resources only for development of an application that uses the TI products described in the resource. Other reproduction and display of these resources is prohibited. No license is granted to any other TI intellectual property right or to any third party intellectual property right. TI disclaims responsibility for, and you will fully indemnify TI and its representatives against, any claims, damages, costs, losses, and liabilities arising out of your use of these resources.

TI's products are provided subject to TI's Terms of Sale (www.ti.com/legal/termsofsale.html) or other applicable terms available either on ti.com or provided in conjunction with such TI products. TI's provision of these resources does not expand or otherwise alter TI's applicable warranties or warranty disclaimers for TI products.

Mailing Address: Texas Instruments, Post Office Box 655303, Dallas, Texas 75265
Copyright © 2018, Texas Instruments Incorporated