

Revision History

Rev	ECN #	Approved Date	Approved by	Notes
N/A	N/A	N/A	N/A	N/A

# IWR6843 INDUSTRIAL STARTER KIT

## TABLE OF CONTENTS

SHEET NO.	SHEET NAME
1	Contents
2	Block diagram
3	PMIC
4	IWR6843 Chip
5	Decoupling caps_LC_Filters
6	QSPI Flash
7	60Pin HD Connector
8	Temp_Current_Sensor
9	Hardware

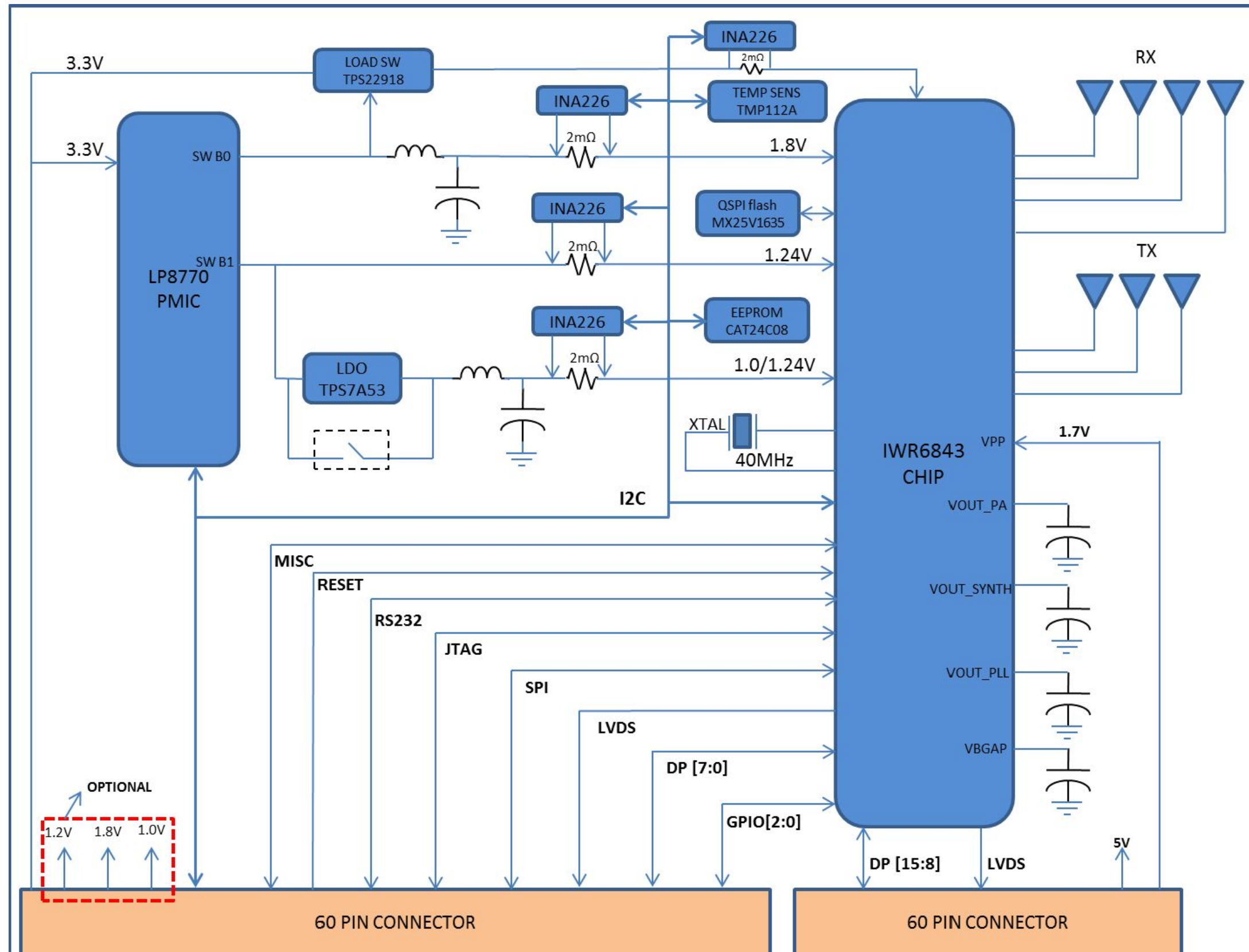
Texas Instruments and/or its licensors do not warrant the accuracy or completeness of this specification or any information contained therein. Texas Instruments and/or its licensors do not warrant that this design will meet the specifications, will be suitable for your application or fit for any particular purpose, or will operate in an implementation. Texas Instruments and/or its licensors do not warrant that the design is production worthy. You should completely validate and test your design implementation to confirm the system functionality for your application.

Orderable: IWR6843ISK-ODS	Designed for: Public Release	Mod. Date: 11/6/2018
TID #: N/A	Project Title: IWR6843ISK (INDUSTRIAL STARTER KIT)	
Number: PROC075	Rev: A	Sheet Title: Table of Contents
SVN Rev: Not in version control	Assembly Variant: 001	Sheet: 1 of 9
Drawn By:	File: PROC075A_Table of Contents.SchDoc	Size: B
Engineer: Faiz Ahmed	Contact: <a href="http://www.ti.com/support">http://www.ti.com/support</a>	



# BLOCK DIAGRAM

Revision History				
Rev	ECN #	Approved Date	Approved by	Notes
N/A	N/A	N/A	N/A	N/A



S.No	DESCRIPTION	I2C ADDRESS
1	CURRENT SENSOR 3.3V	100 0100
2	CURRENT SENSOR 1.8V	100 0000
3	CURRENT SENSOR 1.2V	100 0001
4	CURRENT SENSOR 1.0V	100 0101
5	TEMPERATURE SENSOR1	100 1011
6	LP8770 PMIC	
7	EEPROM	1010 0XX

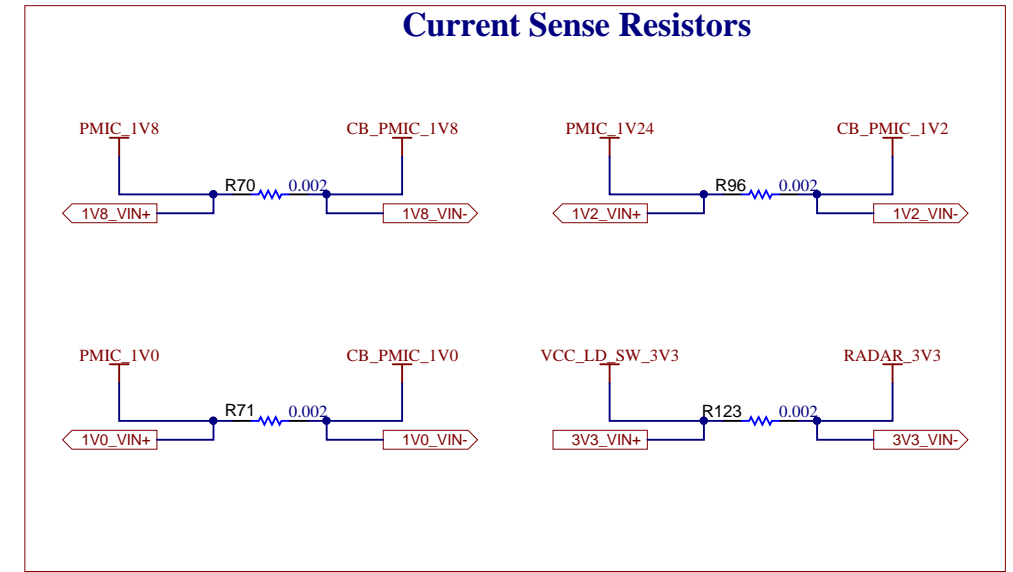
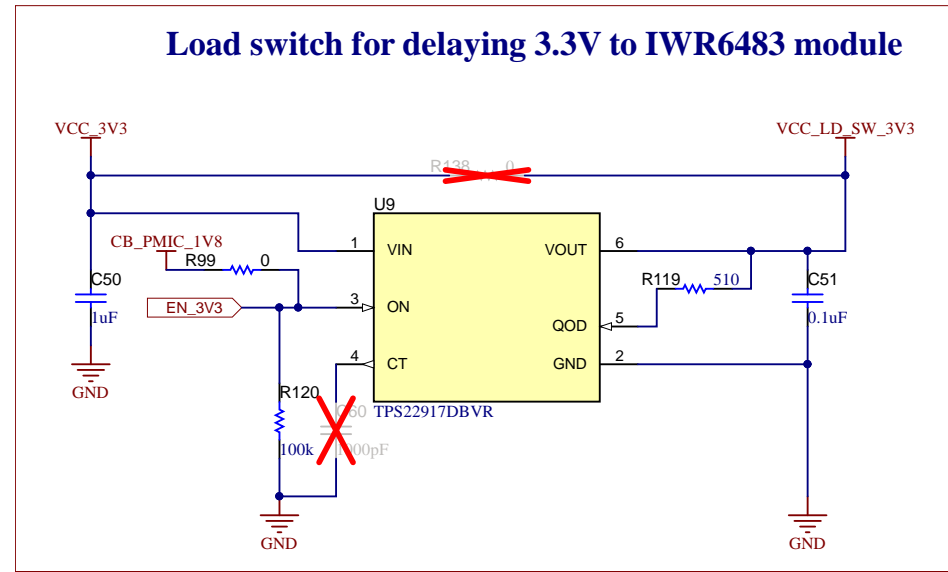
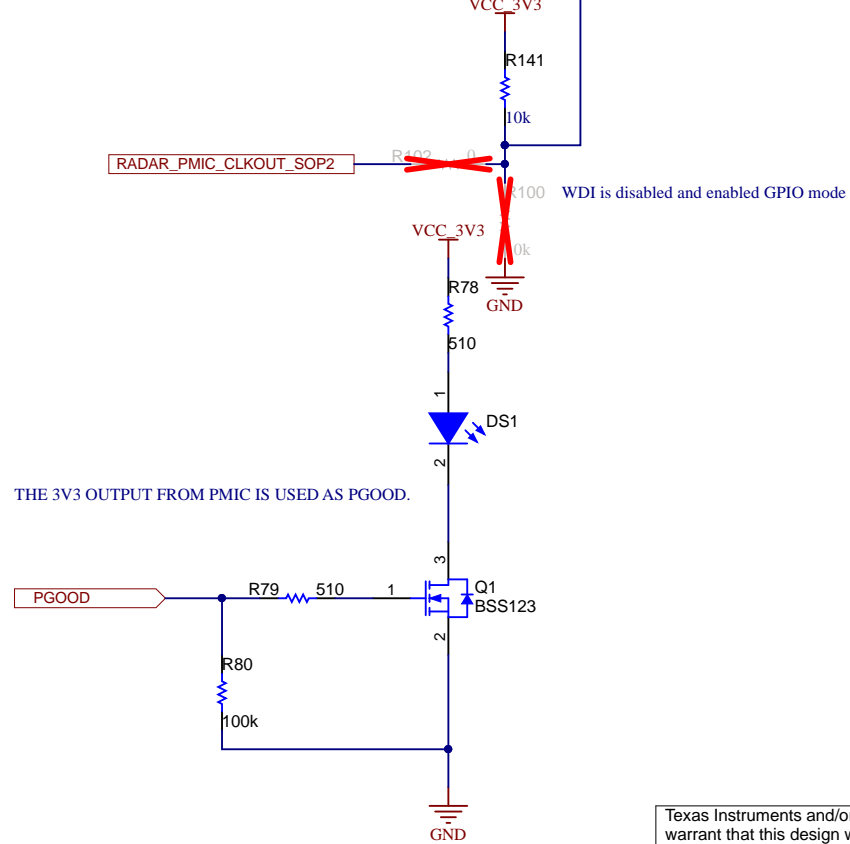
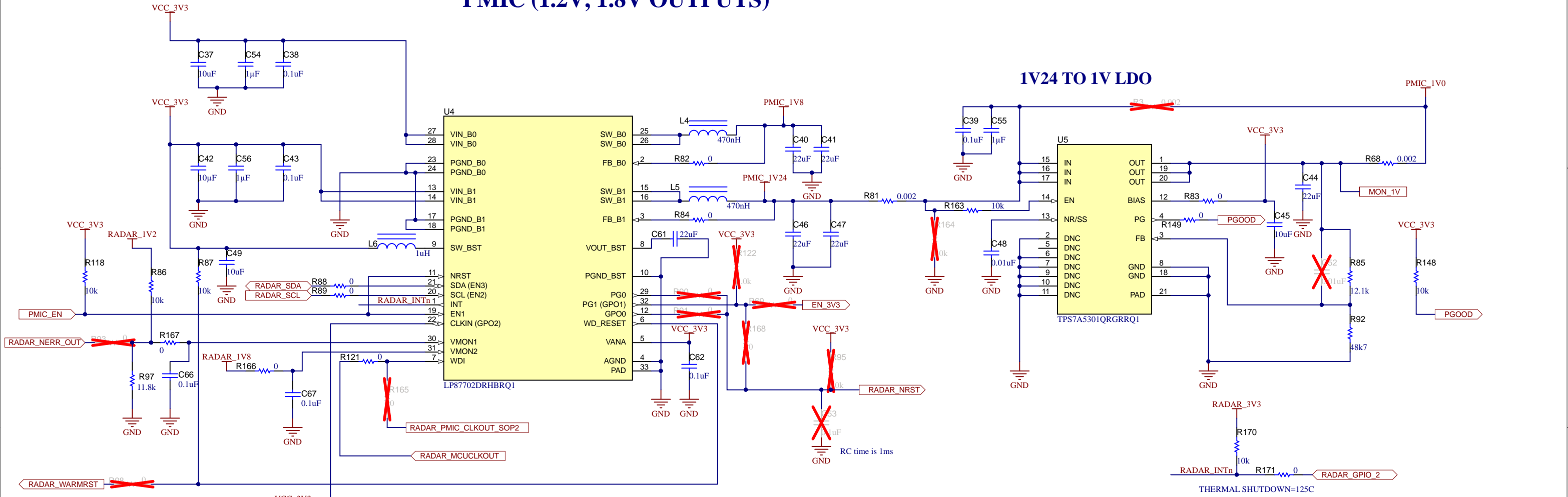
Texas Instruments and/or its licensors do not warrant the accuracy or completeness of this specification or any information contained therein. Texas Instruments and/or its licensors do not warrant that this design will meet the specifications, will be suitable for your application or fit for any particular purpose, or will operate in an implementation. Texas Instruments and/or its licensors do not warrant that the design is production worthy. You should completely validate and test your design implementation to confirm the system functionality for your application.

Orderable: IWR6843ISK-ODS	Designed for: Public Release	Mod. Date: 11/6/2018
TID #: N/A	Project Title: IWR6843ISK (INDUSTRIAL STARTER KIT)	
Number: PROC075	Rev: A	Sheet Title: BLOCK DIAGRAM
SVN Rev: Not in version control	Assembly Variant: 001	Sheet: 2 of 9
Drawn By:	File: PROC075A_Block_Diagram.SchDoc	Size: B
Engineer: Faiz Ahmed	Contact: <a href="http://www.ti.com/support">http://www.ti.com/support</a>	



# PMIC (1.2V, 1.8V OUTPUTS)

## 1V24 TO 1V LDO

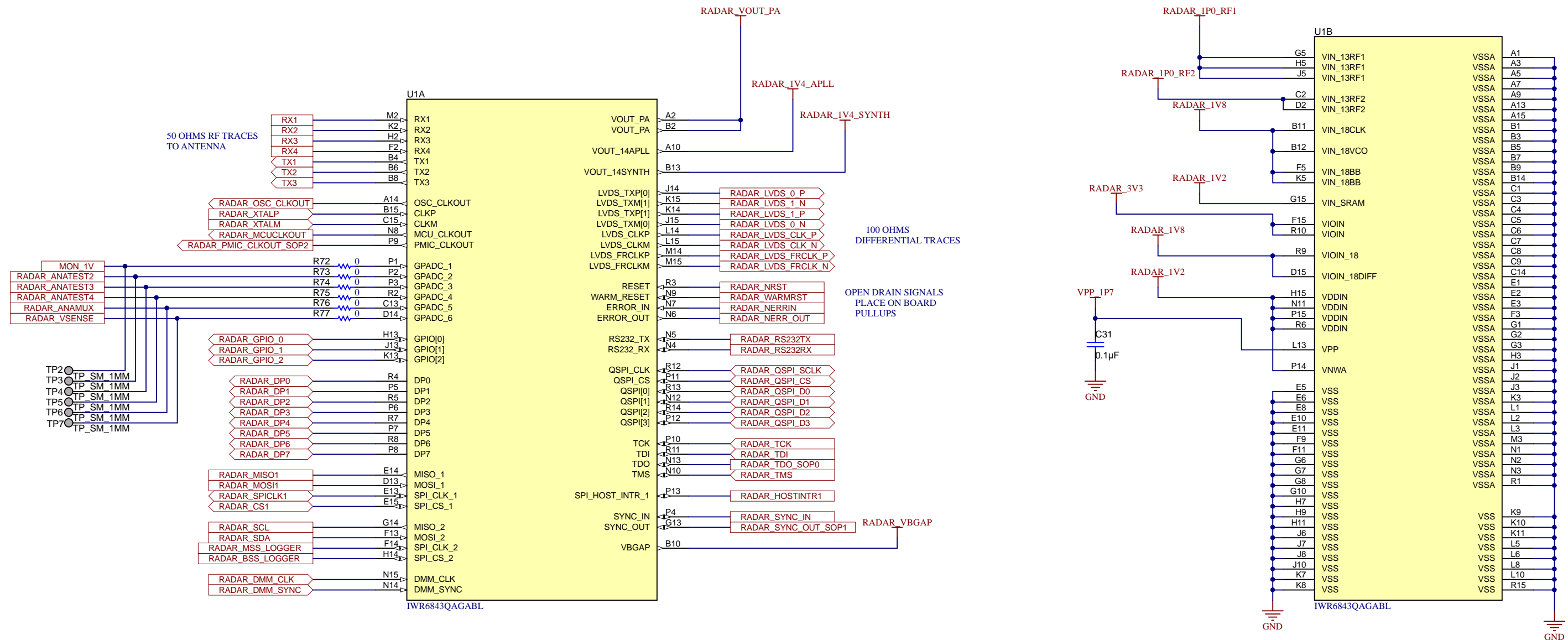


Texas Instruments and/or its licensors do not warrant the accuracy or completeness of this specification or any information contained therein. Texas Instruments and/or its licensors do not warrant that this design will meet the specifications, will be suitable for your application or fit for any particular purpose, or will operate in an implementation. Texas Instruments and/or its licensors do not warrant that the design is production worthy. You should completely validate and test your design implementation to confirm the system functionality for your application.

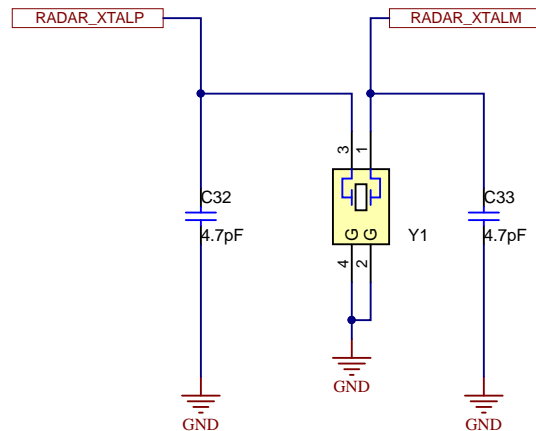
Orderable: IWR6843ISK-ODS	Designed for: Public Release	Mod. Date: 1/10/2019
TID #: N/A	Project Title: IWR6843ISK (INDUSTRIAL STARTER KIT)	
Number: PROC075	Rev: A	Sheet Title: PMIC
SVN Rev: Not in version control	Assembly Variant: 001	Sheet: 3 of 9
Drawn By:	File: PROC075A_PMIC.SchDoc	Size: B
Engineer: Faiz Ahmed	Contact: <a href="http://www.ti.com/support">http://www.ti.com/support</a>	



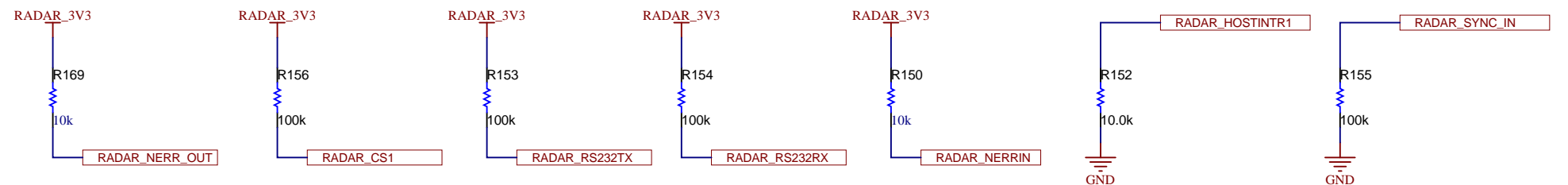
# IWR6843 Chip



## Crystal Oscillator 40MHz



## PULL UPS/DOWNS FOR SPI CS1, NERRIN, RS232, SYNC\_IN & HOST\_INn

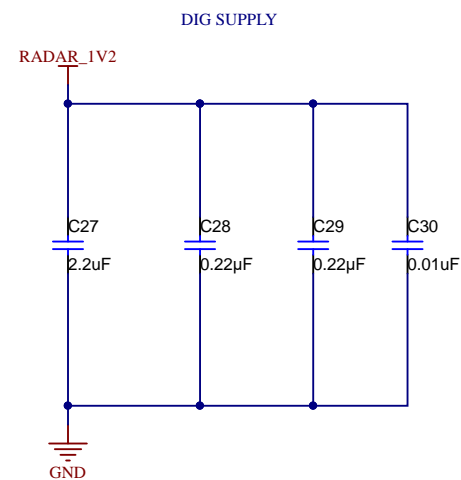
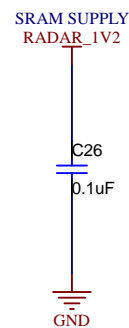
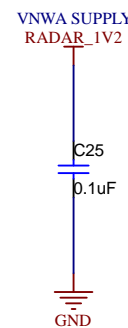
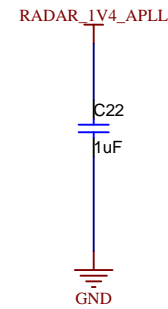
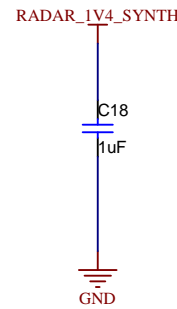
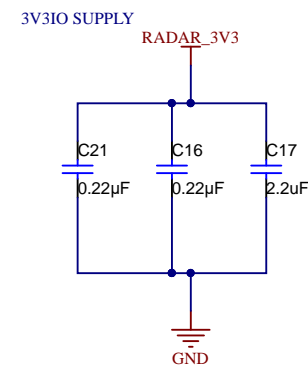
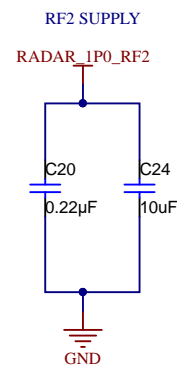
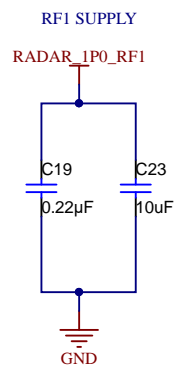
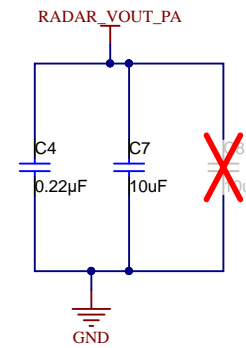
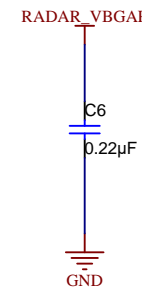
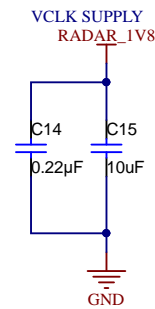
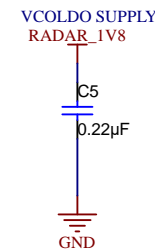
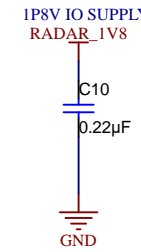
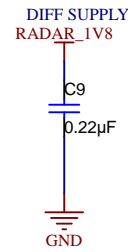
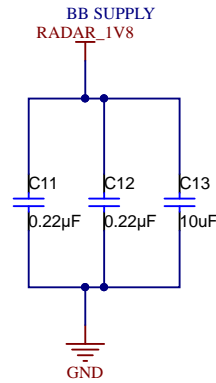


Texas Instruments and/or its licensors do not warrant the accuracy or completeness of this specification or any information contained therein. Texas Instruments and/or its licensors do not warrant that this design will meet the specifications, will be suitable for your application or fit for any particular purpose, or will operate in an implementation. Texas Instruments and/or its licensors do not warrant that the design is production worthy. You should completely validate and test your design implementation to confirm the system functionality for your application.

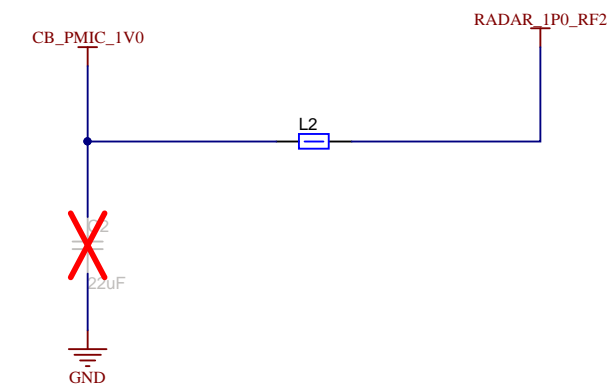
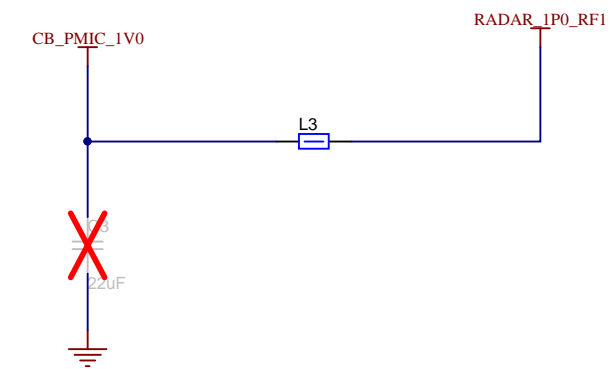
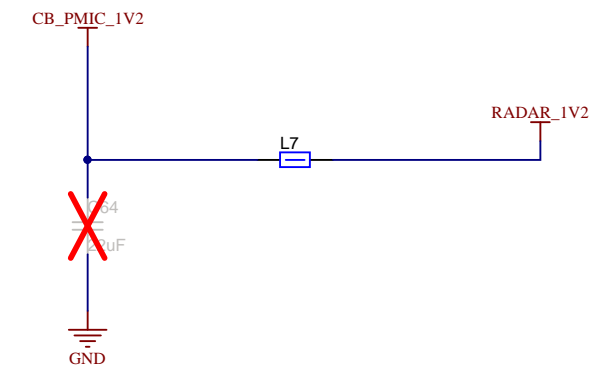
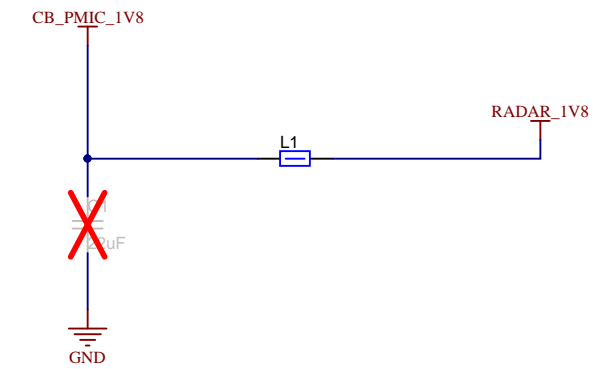
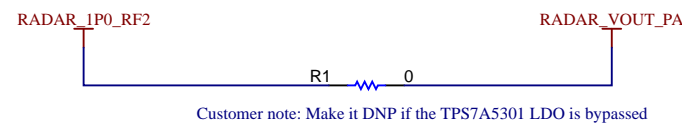
Orderable: IWR6843ISK-ODS	Designed for: Public Release	Mod. Date: 11/6/2018
TID #: N/A	Project Title: IWR6843ISK (INDUSTRIAL STARTER KIT)	
Number: PROC075	Rev: A	Sheet Title: IWR6843 Chip
SVN Rev: Not in version control	Assembly Variant: 001	Sheet: 4 of 9
Drawn By:	File: PROC075A_IWR6843_Chip_SchDoc	Size: B
Engineer: Faiz Ahmed	Contact: <a href="http://www.ti.com/support">http://www.ti.com/support</a>	

# SUPPLY\_DECOUPLING\_CAPS

# PMIC LC Filters



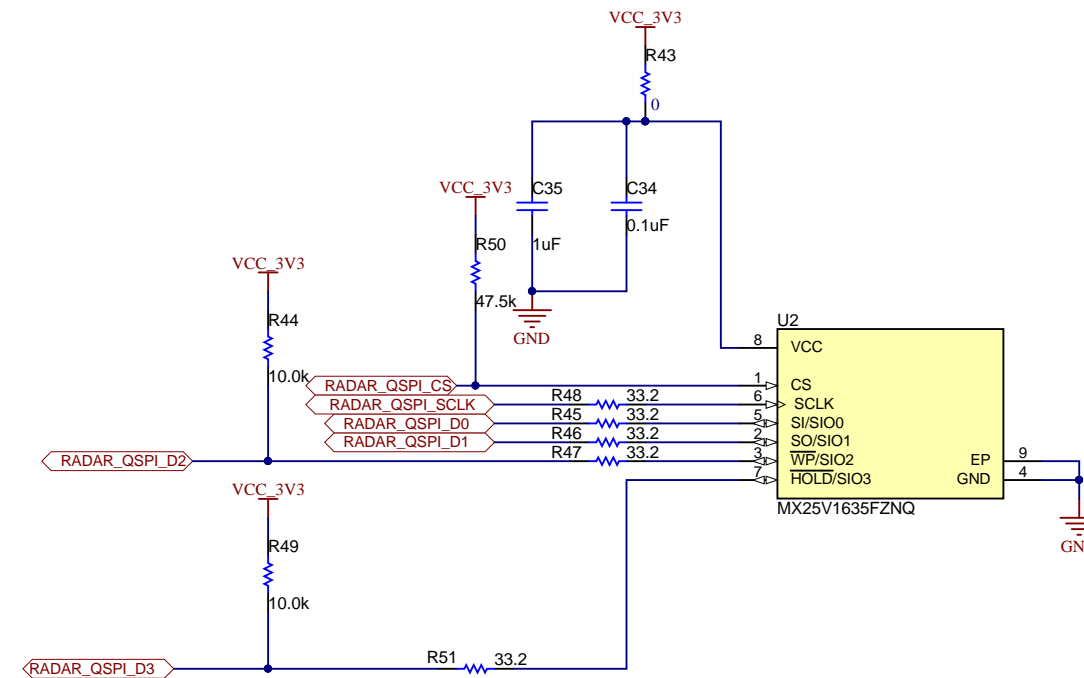
## OPTIONS FOR INTERNAL DEBUG ONLY



Texas Instruments and/or its licensors do not warrant the accuracy or completeness of this specification or any information contained therein. Texas Instruments and/or its licensors do not warrant that this design will meet the specifications, will be suitable for your application or fit for any particular purpose, or will operate in an implementation. Texas Instruments and/or its licensors do not warrant that the design is production worthy. You should completely validate and test your design implementation to confirm the system functionality for your application.

Orderable: IWR6843ISK-ODS	Designed for: Public Release	Mod. Date: 1/10/2019
TID #: N/A	Project Title: IWR6843ISK (INDUSTRIAL STARTER KIT)	
Number: PROC075	Rev: A	Sheet Title: Decoupling_caps_LC_filters
SVN Rev: Not in version control	Assembly Variant: 001	Sheet: 5 of 9
Drawn By:	File: PROC075A_Decoupling_caps.SchDoc	Size: B
Engineer: Faiz Ahmed	Contact: http://www.ti.com/support	

# QSPI FLASH



Texas Instruments and/or its licensors do not warrant the accuracy or completeness of this specification or any information contained therein. Texas Instruments and/or its licensors do not warrant that this design will meet the specifications, will be suitable for your application or fit for any particular purpose, or will operate in an implementation. Texas Instruments and/or its licensors do not warrant that the design is production worthy. You should completely validate and test your design implementation to confirm the system functionality for your application.

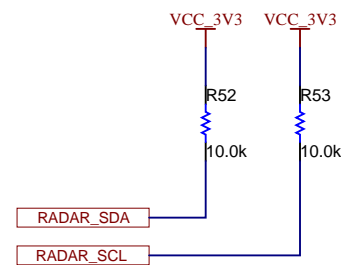
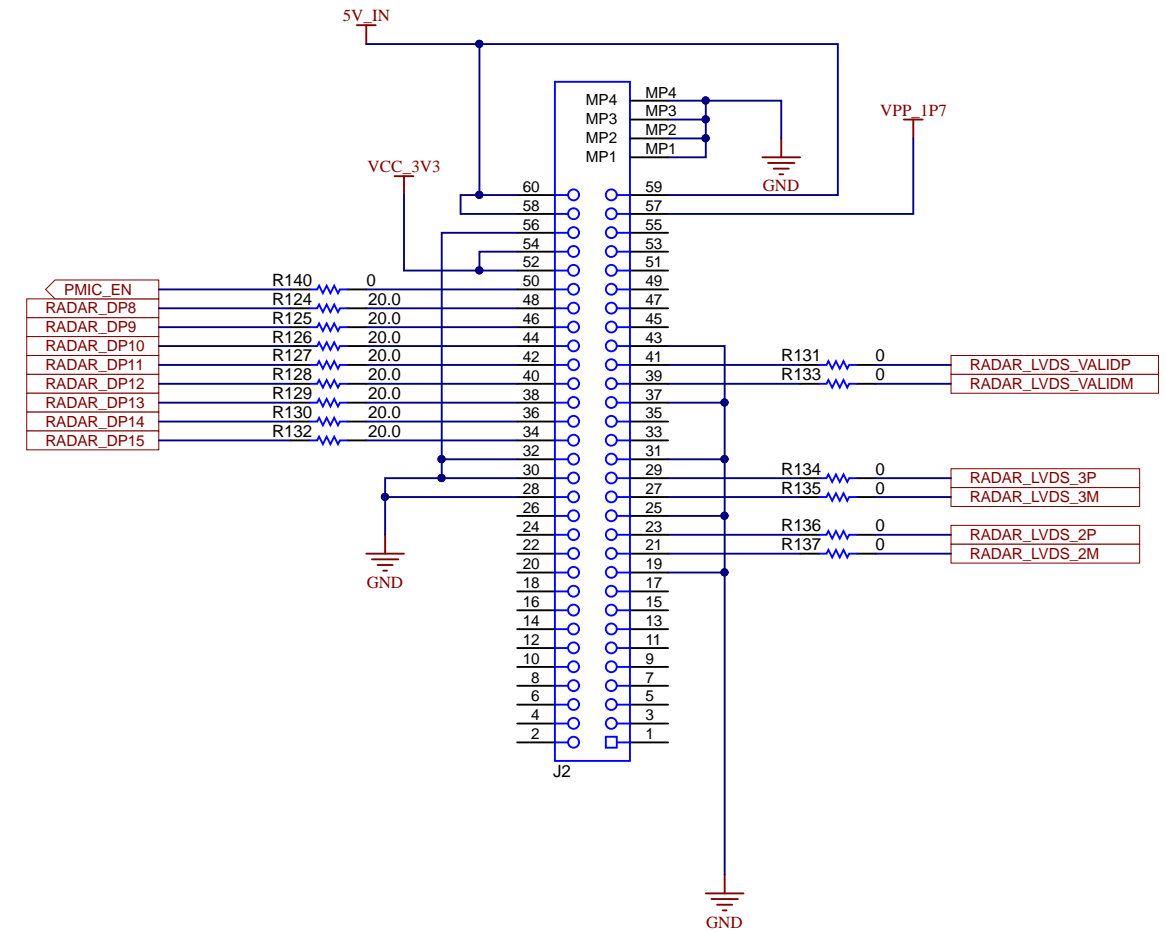
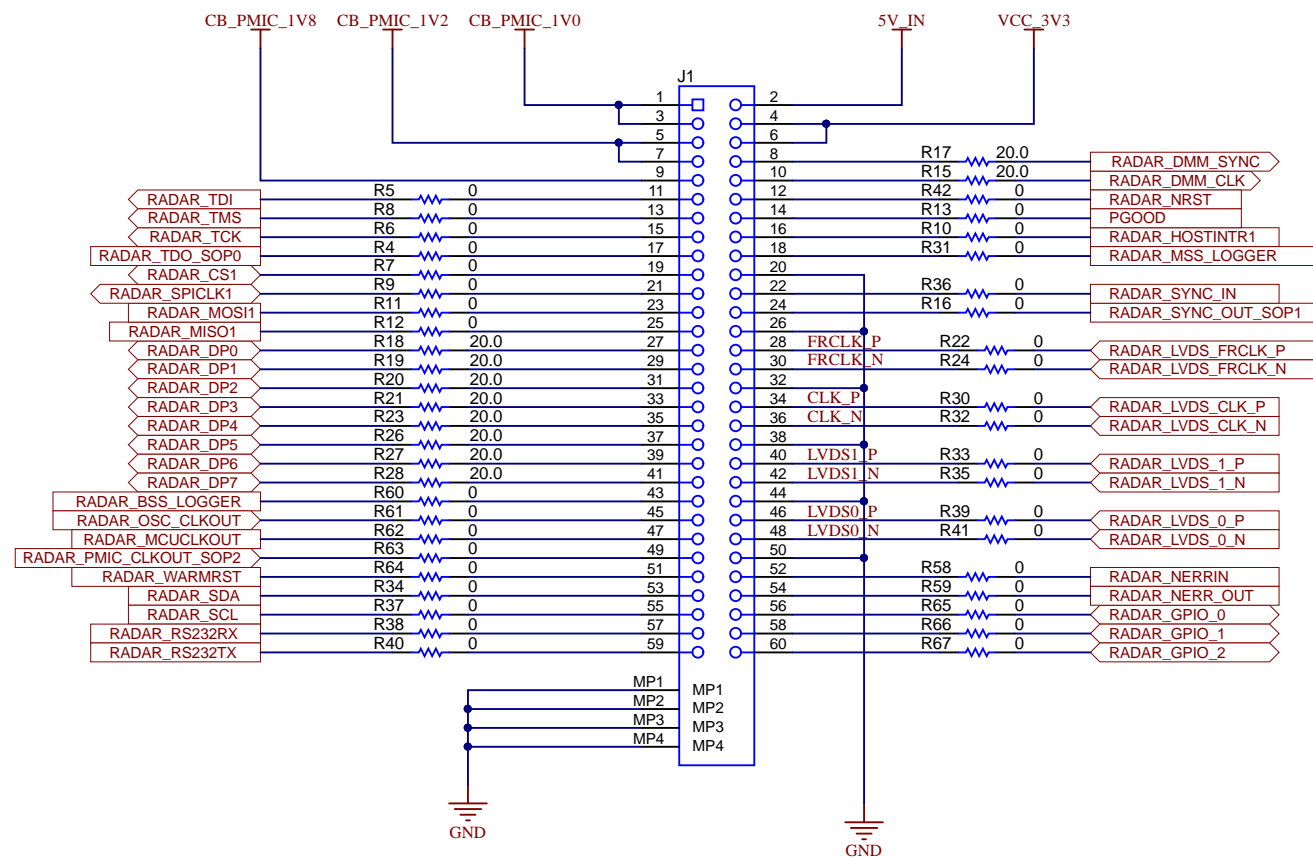
Orderable: IWR6843ISK-ODS	Designed for: Public Release	Mod. Date: 11/6/2018
TID #: N/A	Project Title: IWR6843ISK (INDUSTRIAL STARTER KIT)	
Number: PROC075	Rev: A	Sheet Title: QSPI Flash
SVN Rev: Not in version control	Assembly Variant: 001	Sheet: 6 of 9
Drawn By:	File: PROC075A_QSPI flash section.SchDoc	Size: B
Engineer: Faiz Ahmed	Contact: <a href="http://www.ti.com/support">http://www.ti.com/support</a>	

  
[www.ainstein.ai](http://www.ainstein.ai)  
  
<http://www.ti.com>  
 © Texas Instruments 2018

# CONNECTORS

## 60 PIN HD CONNECTOR

## 60 PIN HD CONNECTOR FOR xWRxxxx DEVICES COMPATABILITY

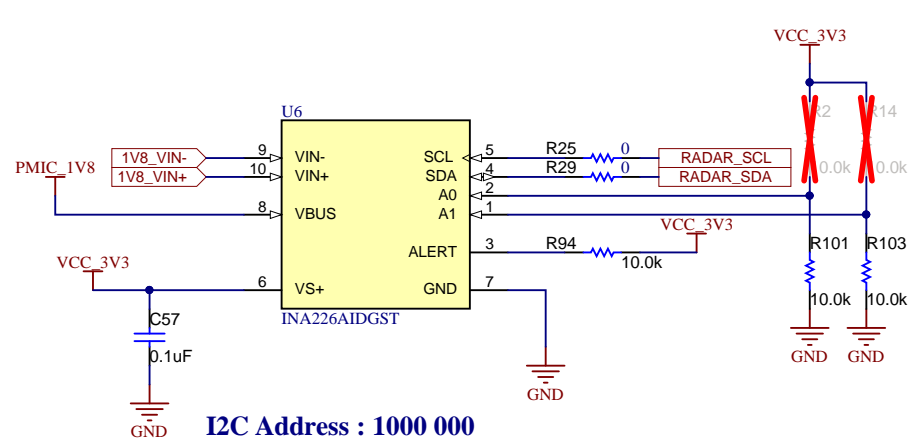


Texas Instruments and/or its licensors do not warrant the accuracy or completeness of this specification or any information contained therein. Texas Instruments and/or its licensors do not warrant that this design will meet the specifications, will be suitable for your application or fit for any particular purpose, or will operate in an implementation. Texas Instruments and/or its licensors do not warrant that the design is production worthy. You should completely validate and test your design implementation to confirm the system functionality for your application.

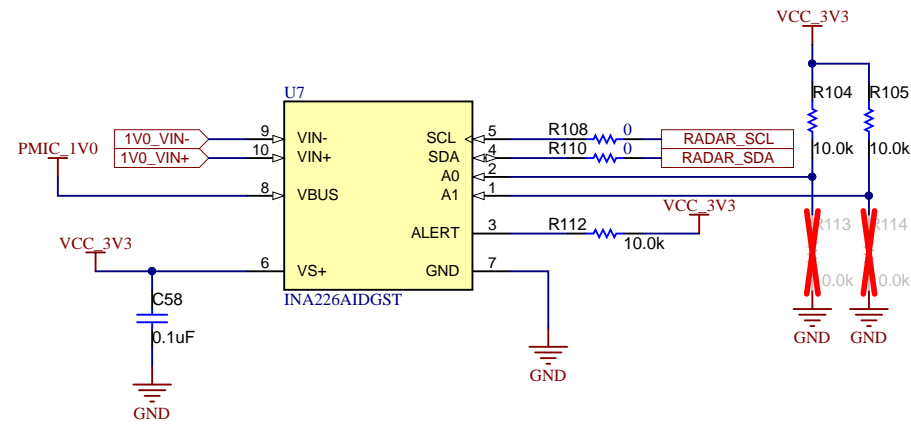
Orderable: IWR6843ISK-ODS	Designed for: Public Release	Mod. Date: 11/6/2018
TID #: N/A	Project Title: IWR6843ISK (INDUSTRIAL STARTER KIT)	
Number: PROC075	Rev: A	Sheet Title: 60Pin HD Connector
SVN Rev: Not in version control	Assembly Variant: 001	Sheet: 7 of 9
Drawn By:	File: PROC075A_HD_Connector_60Pin.SchDoc	Size: B
Engineer: Faiz Ahmed	Contact: <a href="http://www.ti.com/support">http://www.ti.com/support</a>	



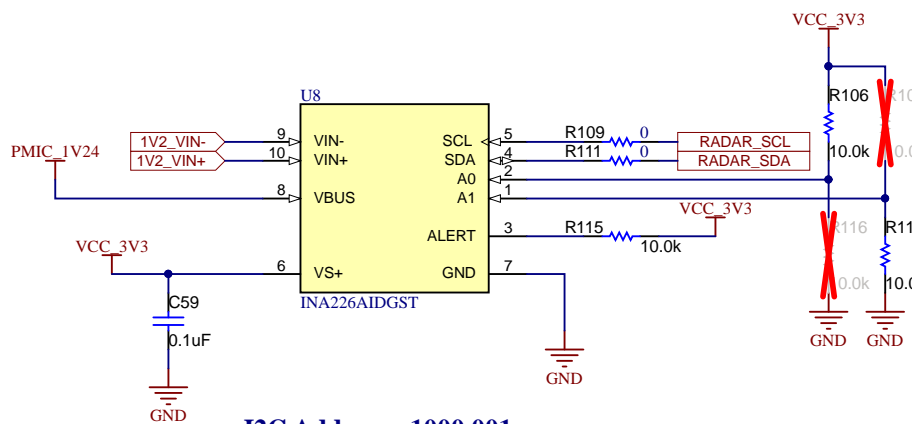
### CURRENT SENSOR



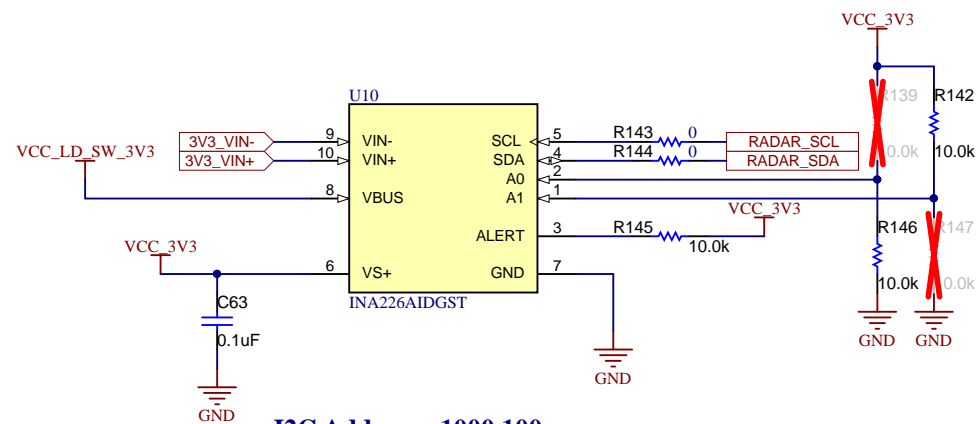
I2C Address : 1000 000



I2C Address : 1000 101

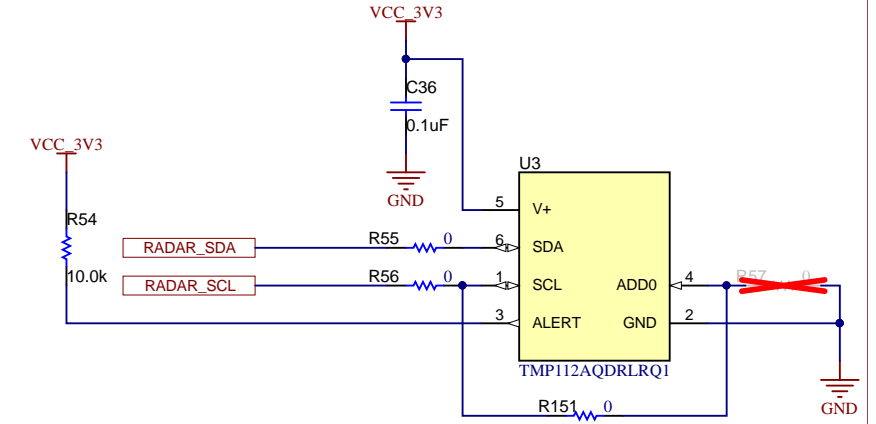


I2C Address : 1000 001



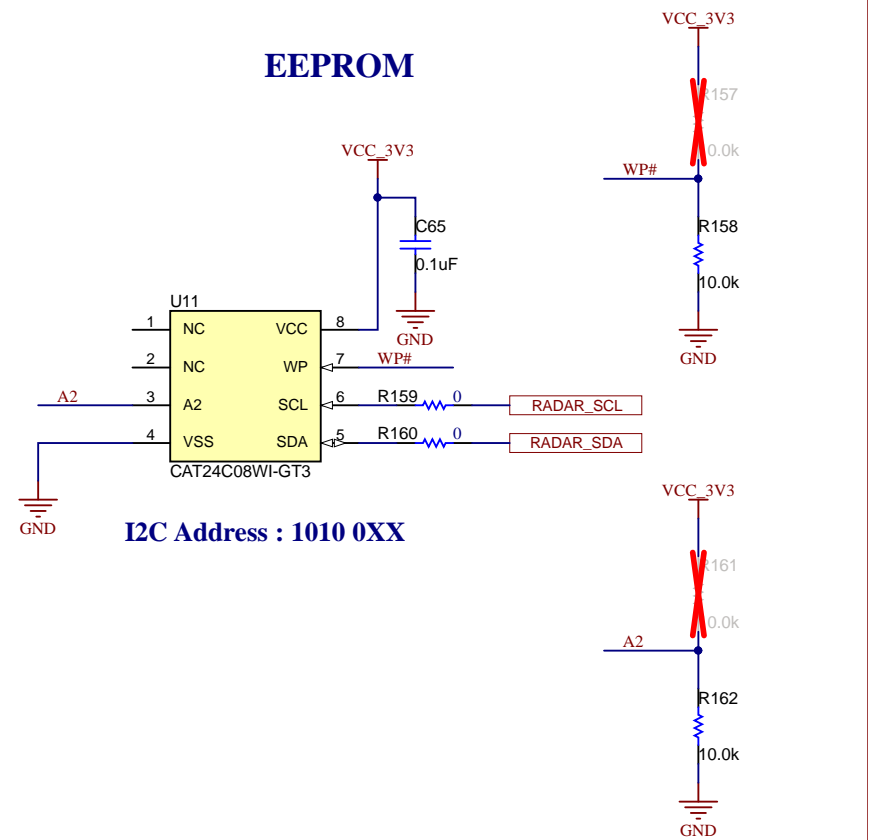
I2C Address : 1000 100

### TEMPERATURE SENSOR



I2C Address : 1001 011

### EEPROM



I2C Address : 1010 0XX

Texas Instruments and/or its licensors do not warrant the accuracy or completeness of this specification or any information contained therein. Texas Instruments and/or its licensors do not warrant that this design will meet the specifications, will be suitable for your application or fit for any particular purpose, or will operate in an implementation. Texas Instruments and/or its licensors do not warrant that the design is production worthy. You should completely validate and test your design implementation to confirm the system functionality for your application.

Orderable: IWR6843ISK-ODS	Designed for: Public Release	Mod. Date: 11/6/2018
TID #: N/A	Project Title: IWR6843ISK (INDUSTRIAL STARTER KIT)	
Number: PROC075	Rev: A	Sheet Title: TEMPERATURE SENSOR
SVN Rev: Not in version control	Assembly Variant: 001	Sheet: 8 of 9
Drawn By:	File: PROC075A_Temp_current_sensor.SchDoc	Size: B
Engineer: Faiz Ahmed	Contact: http://www.ti.com/support	







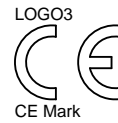
Logo1  
PCB  
LOGO  
Texas Instruments

PCB  
LOGO  
ESD Susceptible

PCB  
LOGO  
FCC disclaimer

Logo4  
PCB  
LOGO  
WEEE logo

Logo5  
PCB  
LOGO  
Texas Instruments



PCB Number: PROC075  
PCB Rev: A

Variant/Label Table	
Variant	Label Text
001	IWR6843ISK-ODS

LBL1  
PCB Label  
THT-14-423-10

ZZ1  
Label Assembly Note  
This Assembly Note is for PCB labels only

ZZ2  
Assembly Note  
These assemblies are ESD sensitive, ESD precautions shall be observed.

ZZ3  
Assembly Note  
These assemblies must be clean and free from flux and all contaminants. Use of no clean flux is not acceptable.

ZZ4  
Assembly Note  
These assemblies must comply with workmanship standards IPC-A-610 Class 2, unless otherwise specified.

HW Assembly Instructions  
1. Mount the optional nuts, screws and washers to mate with MMWAVEICBOOST

Orderable: IWR6843ISK-ODS	Designed for: Public Release	Mod. Date: 12/21/2018
TID #: N/A	Project Title: IWR6843ISK (INDUSTRIAL STARTER KIT)	
Number: PROC075	Rev: A	Sheet Title: Hardware
SVN Rev: Not in version control	Assembly Variant: 001	Sheet: 9 of 9
Drawn By:	File: PROC075A_Hardware.SchDoc	Size: B
Engineer: Faiz Ahmed	Contact: <a href="http://www.ti.com/support">http://www.ti.com/support</a>	

Texas Instruments and/or its licensors do not warrant the accuracy or completeness of this specification or any information contained therein. Texas Instruments and/or its licensors do not warrant that this design will meet the specifications, will be suitable for your application or fit for any particular purpose, or will operate in an implementation. Texas Instruments and/or its licensors do not warrant that the design is production worthy. You should completely validate and test your design implementation to confirm the system functionality for your application.



© Texas Instruments 2018

## IMPORTANT NOTICE AND DISCLAIMER

TI PROVIDES TECHNICAL AND RELIABILITY DATA (INCLUDING DATASHEETS), DESIGN RESOURCES (INCLUDING REFERENCE DESIGNS), APPLICATION OR OTHER DESIGN ADVICE, WEB TOOLS, SAFETY INFORMATION, AND OTHER RESOURCES "AS IS" AND WITH ALL FAULTS, AND DISCLAIMS ALL WARRANTIES, EXPRESS AND IMPLIED, INCLUDING WITHOUT LIMITATION ANY IMPLIED WARRANTIES OF MERCHANTABILITY, FITNESS FOR A PARTICULAR PURPOSE OR NON-INFRINGEMENT OF THIRD PARTY INTELLECTUAL PROPERTY RIGHTS.

These resources are intended for skilled developers designing with TI products. You are solely responsible for (1) selecting the appropriate TI products for your application, (2) designing, validating and testing your application, and (3) ensuring your application meets applicable standards, and any other safety, security, or other requirements. These resources are subject to change without notice. TI grants you permission to use these resources only for development of an application that uses the TI products described in the resource. Other reproduction and display of these resources is prohibited. No license is granted to any other TI intellectual property right or to any third party intellectual property right. TI disclaims responsibility for, and you will fully indemnify TI and its representatives against, any claims, damages, costs, losses, and liabilities arising out of your use of these resources.

TI's products are provided subject to TI's Terms of Sale ([www.ti.com/legal/termsofsale.html](http://www.ti.com/legal/termsofsale.html)) or other applicable terms available either on [ti.com](http://ti.com) or provided in conjunction with such TI products. TI's provision of these resources does not expand or otherwise alter TI's applicable warranties or warranty disclaimers for TI products.

Mailing Address: Texas Instruments, Post Office Box 655303, Dallas, Texas 75265  
Copyright © 2019, Texas Instruments Incorporated