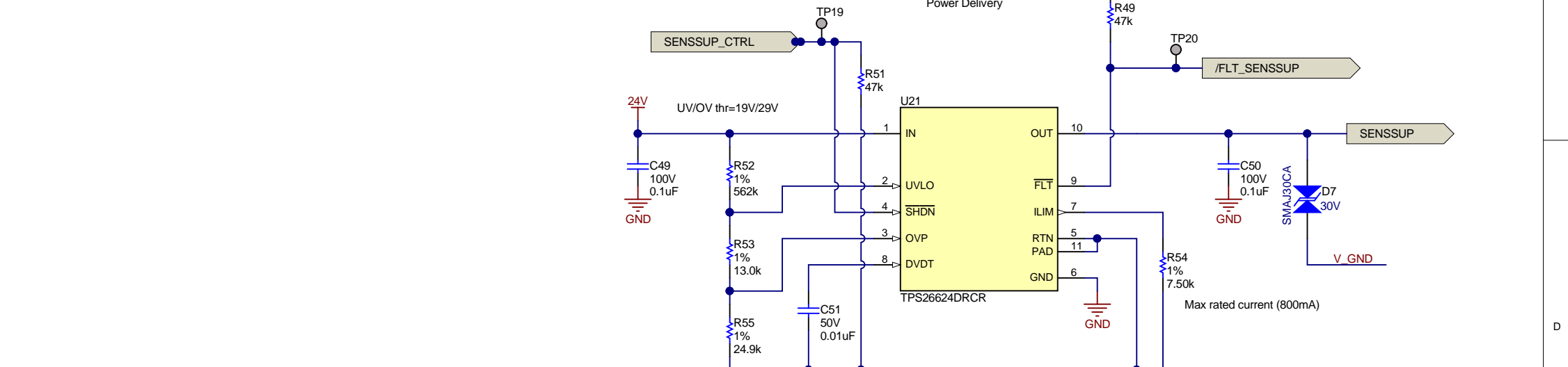
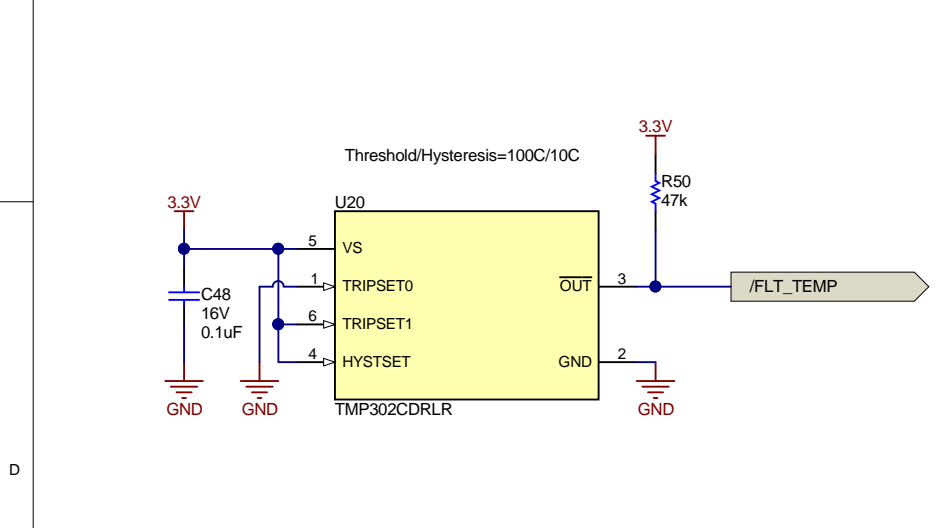
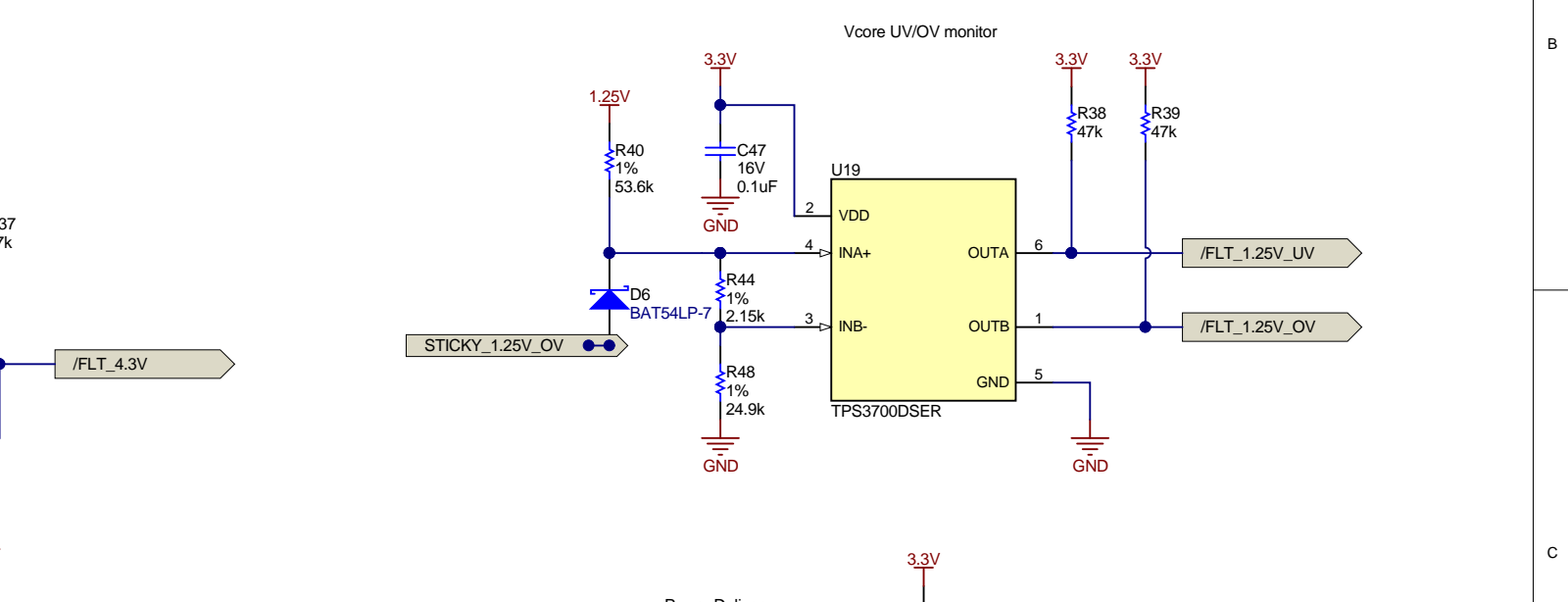
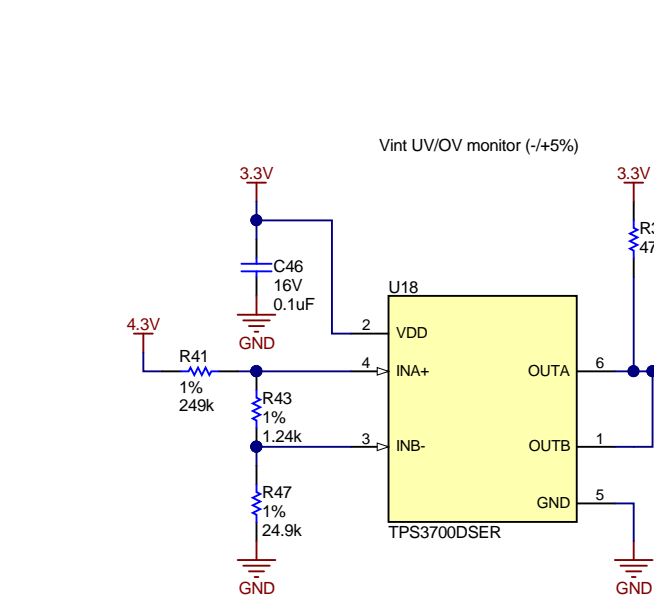
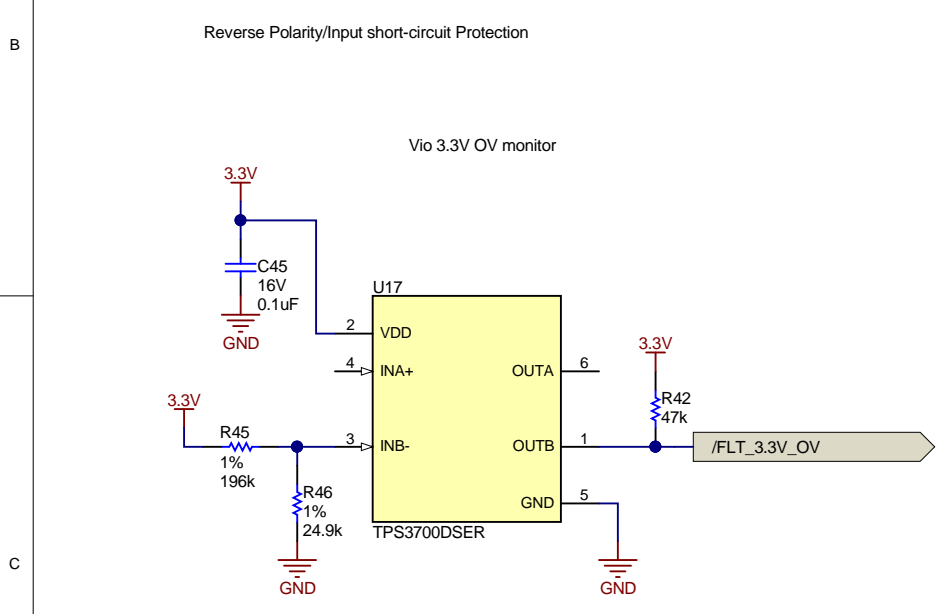
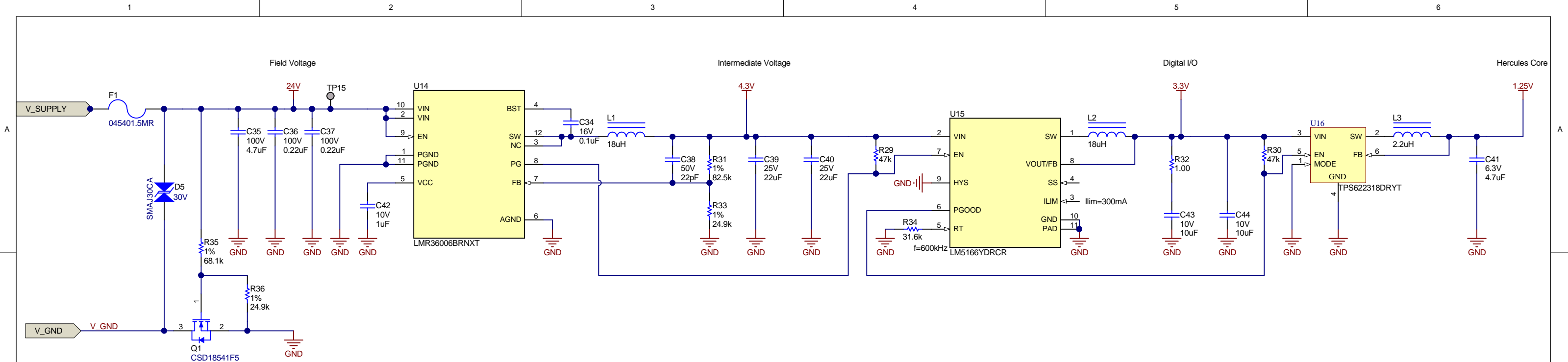


Orderable:	Designed for: Public Release	Mod. Date: 1/9/2019
TID #: TIDA-010049	Project Title: FS Digital Input Module	
Number: TIDA-010049	Rev: E2	Sheet Title:
SVN Rev: Not in version control	Assembly Variant: Standard	Sheet: 2 of 3
Drawn By:	File: TIDA-010049_Top.SchDoc	Size: B
Engineer: A0797073	Contact: http://www.ti.com/support	

Texas Instruments and/or its licensors do not warrant the accuracy or completeness of this specification or any information contained therein. Texas Instruments and/or its licensors do not warrant that this design will meet the specifications, will be suitable for your application or fit for any particular purpose, or will operate in an implementation. Texas Instruments and/or its licensors do not warrant that the design is production worthy. You should completely validate and test your design implementation to confirm the system functionality for your application.

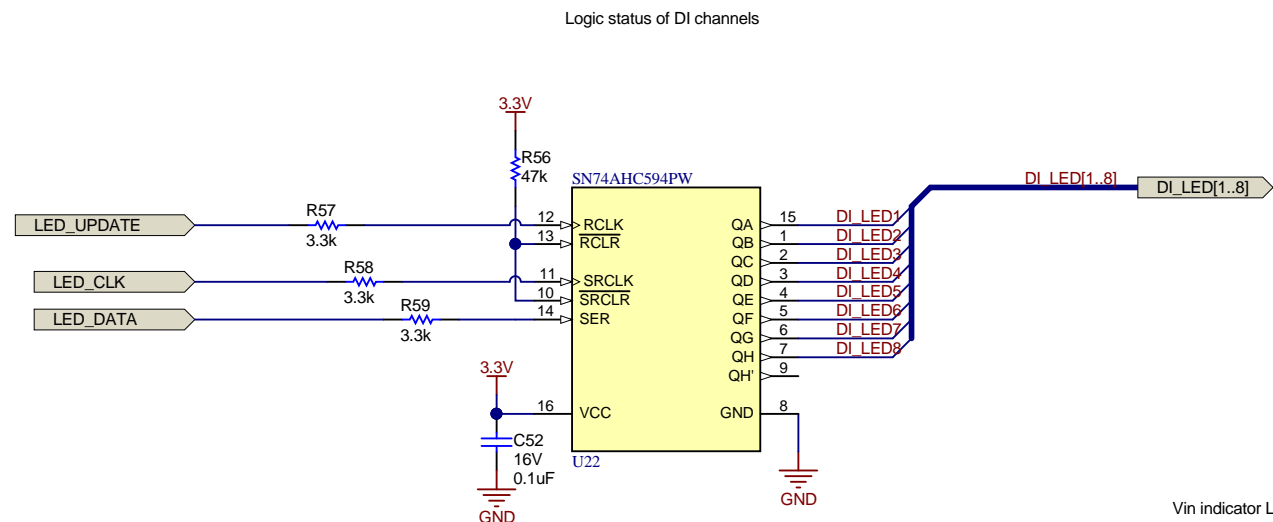




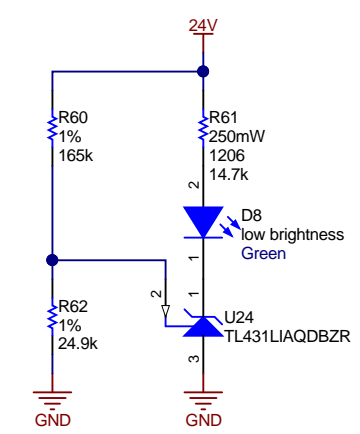
Texas Instruments and/or its licensors do not warrant the accuracy or completeness of this specification or any information contained therein. Texas Instruments and/or its licensors do not warrant that this design will meet the specifications, will be suitable for your application or fit for any particular purpose, or will operate in an implementation. Texas Instruments and/or its licensors do not warrant that the design is production worthy. You should completely validate and test your design implementation to confirm the system functionality for your application.

Orderable:	Designed for: Public Release	Mod. Date: 4/5/2019
TID #: TIDA-010049	Project Title: FS Digital Input Module	
Number: TIDA-010049	Rev: E2	Sheet Title:
SVN Rev: Not in version control	Assembly Variant: Standard	Sheet: 2 of 3
Drawn By:	File: TIDA-010049_Power.SchDoc	Size: B
Engineer: A0797073	Contact: http://www.ti.com/support	

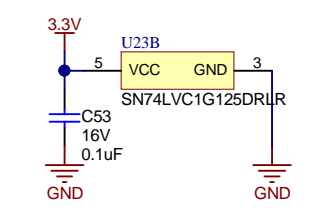
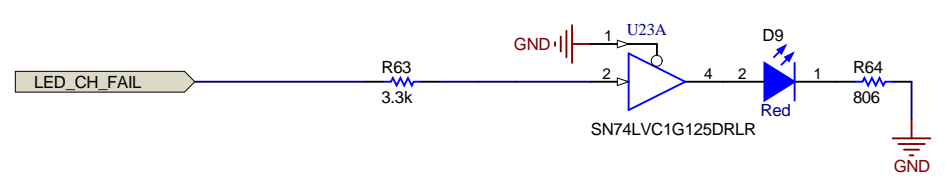




Vin indicator LED (turns on at ~19V)



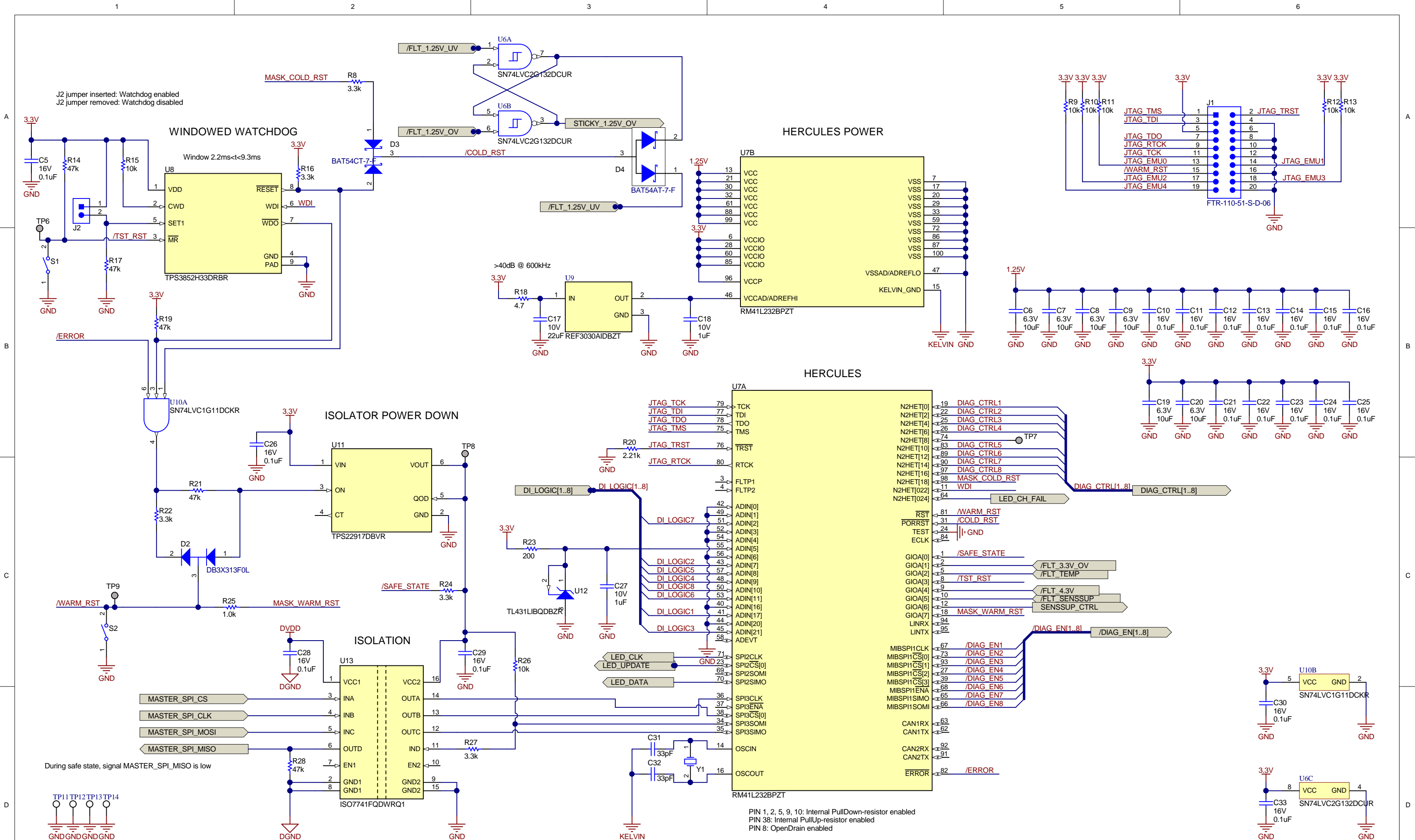
Global Fail LED



Texas Instruments and/or its licensors do not warrant the accuracy or completeness of this specification or any information contained therein. Texas Instruments and/or its licensors do not warrant that this design will meet the specifications, will be suitable for your application or fit for any particular purpose, or will operate in an implementation. Texas Instruments and/or its licensors do not warrant that the design is production worthy. You should completely validate and test your design implementation to confirm the system functionality for your application.

Orderable:	Designed for: Public Release	Mod. Date: 1/9/2019
TID #: TIDA-010049	Project Title: FS Digital Input Module	
Number: TIDA-010049	Rev: E2	Sheet: 2 of 3
SVN Rev: Not in version control	Assembly Variant: Standard	Size: B
Drawn By:	File: TIDA-010049_LED.SchDoc	http://www.ti.com
Engineer: A0797073	Contact: http://www.ti.com/support	© Texas Instruments 2019





Texas Instruments and/or its licensors do not warrant the accuracy or completeness of this specification or any information contained therein. Texas Instruments and/or its licensors do not warrant that this design will meet the specifications, will be suitable for your application or fit for any particular purpose, or will operate in an implementation. Texas Instruments and/or its licensors do not warrant that the design is production worthy. You should completely validate and test your design implementation to confirm the system functionality for your application.

Orderable:	Designed for: Public Release	Mod. Date: 4/5/2019
TID #: TIDA-010049	Project Title: FS Digital Input Module	
Number: TIDA-010049	Rev: E2	Sheet Title:
SVN Rev: Not in version control	Assembly Variant: Standard	Sheet: 2 of 3
Drawn By:	File: TIDA-010049_Hercules.SchDoc	Size: B
Engineer: A0797073	Contact: http://www.ti.com/support	



H1 SJ-5303 (CLEAR) H2 SJ-5303 (CLEAR) H3 SJ-5303 (CLEAR) H4 SJ-5303 (CLEAR)

FID1 FID2 FID3

PCB Number: TIDA-010049
PCB Rev: E2

LOGO1
CE Mark PCB LOGO
FCC disclaimer PCB LOGO
WEEE logo

LBL1
PCB Label
THT-14-423-10
Size: 0.65" x 0.20 "

ZZ1
Label Assembly Note
This Assembly Note is for PCB labels only


Variant/Label Table	
Variant	Label Text
001	ChangeMe!
002	ChangeMe!

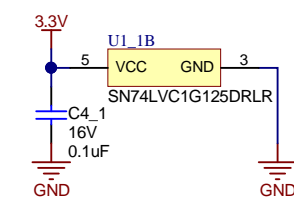
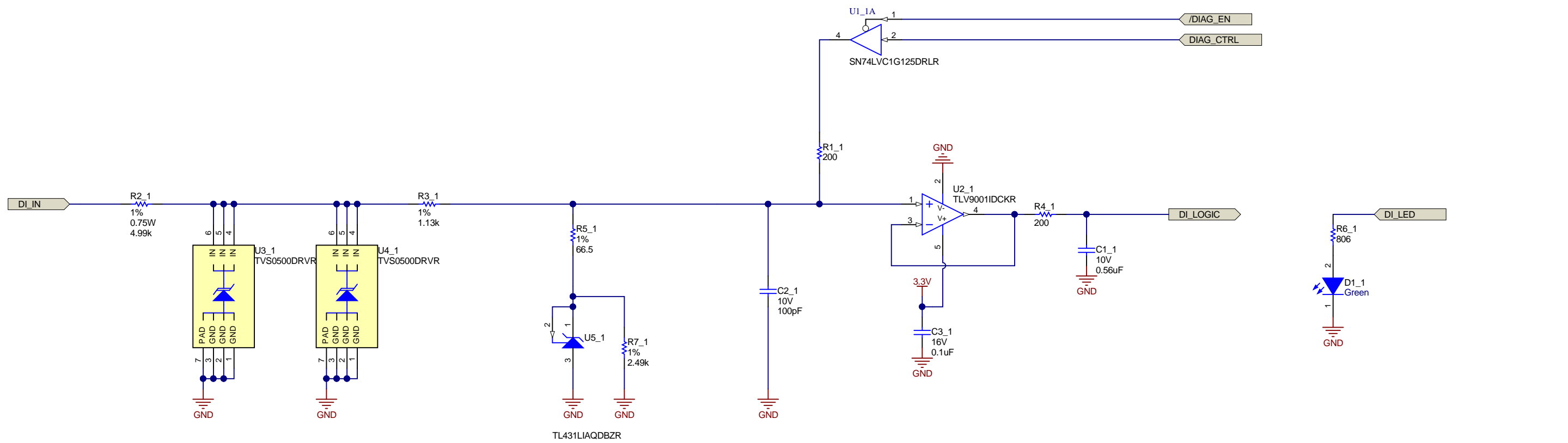
ZZ2
Assembly Note
These assemblies are ESD sensitive, ESD precautions shall be observed.

ZZ3
Assembly Note
These assemblies must be clean and free from flux and all contaminants. Use of no clean flux is not acceptable.

ZZ4
Assembly Note
These assemblies must comply with workmanship standards IPC-A-610 Class 2, unless otherwise specified.

Texas Instruments and/or its licensors do not warrant the accuracy or completeness of this specification or any information contained therein. Texas Instruments and/or its licensors do not warrant that this design will meet the specifications, will be suitable for your application or fit for any particular purpose, or will operate in an implementation. Texas Instruments and/or its licensors do not warrant that the design is production worthy. You should completely validate and test your design implementation to confirm the system functionality for your application.

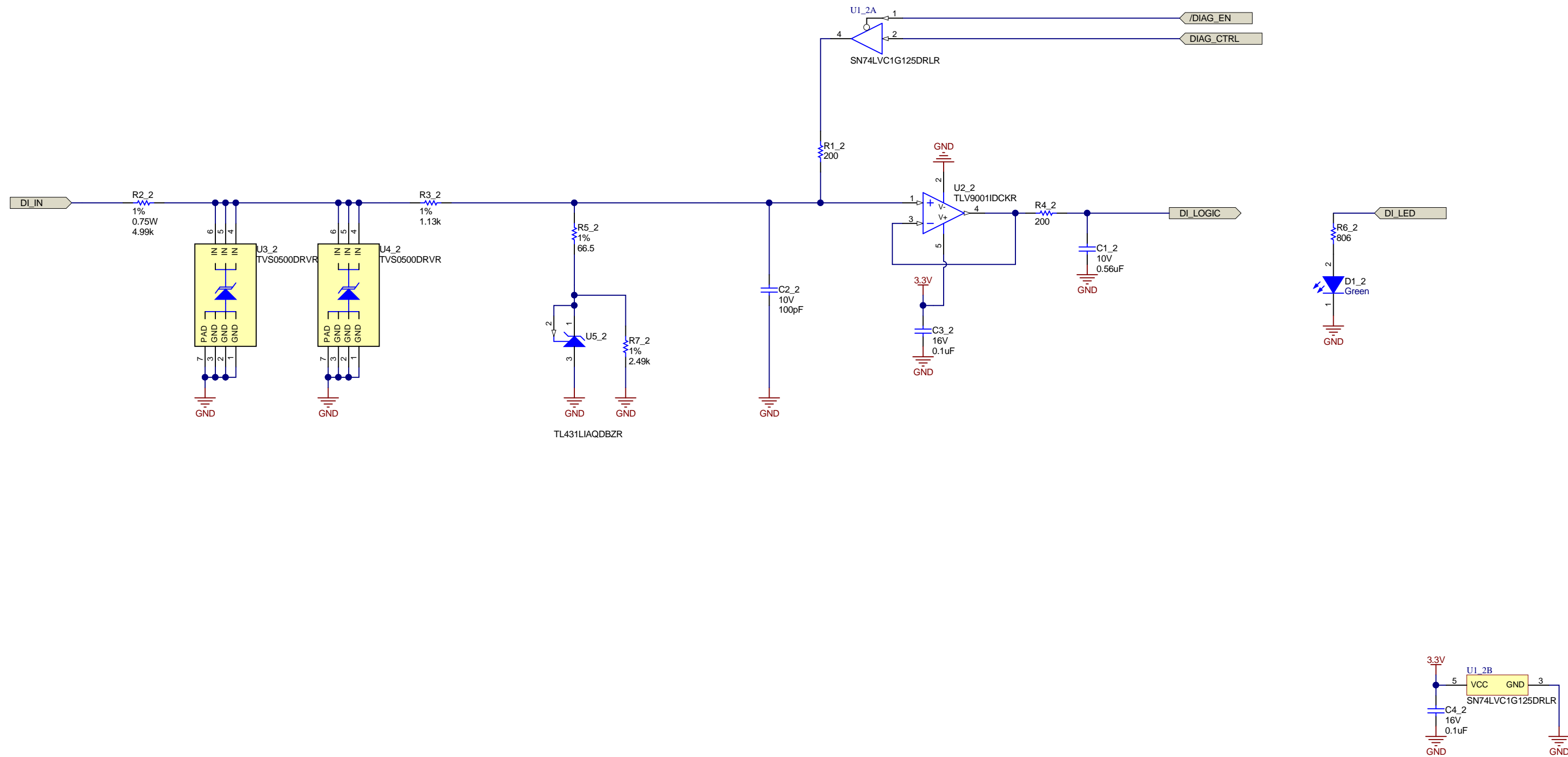
Orderable:	Designed for: Public Release	Mod. Date: 5/17/2019	 TEXAS INSTRUMENTS http://www.ti.com © Texas Instruments 2019
TID #: TIDA-010049	Project Title: FS Digital Input Module		
Number: TIDA-010049	Rev: E2	Sheet Title:	
SVN Rev: Not in version control	Assembly Variant: Standard	Sheet: 2 of 3	
Drawn By:	File: TIDA-010049_Hardware.SchDoc	Size: B	
Engineer: A0797073	Contact: http://www.ti.com/support		



Texas Instruments and/or its licensors do not warrant the accuracy or completeness of this specification or any information contained therein. Texas Instruments and/or its licensors do not warrant that this design will meet the specifications, will be suitable for your application or fit for any particular purpose, or will operate in an implementation. Texas Instruments and/or its licensors do not warrant that the design is production worthy. You should completely validate and test your design implementation to confirm the system functionality for your application.

Orderable:	Designed for: Public Release	Mod. Date: 3/12/2019
TID #: TIDA-010049	Project Title: FS Digital Input Module	
Number: TIDA-010049	Rev: E2	Sheet: 2 of 3
SVN Rev: Not in version control	Assembly Variant: Standard	Size: B
Drawn By:	File: TIDA-010049_DigitalInputChan.SchDoc	http://www.ti.com
Engineer: A0797073	Contact: http://www.ti.com/support	© Texas Instruments 2019



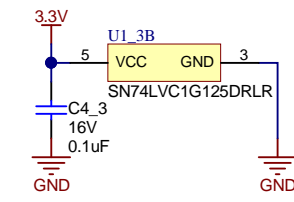
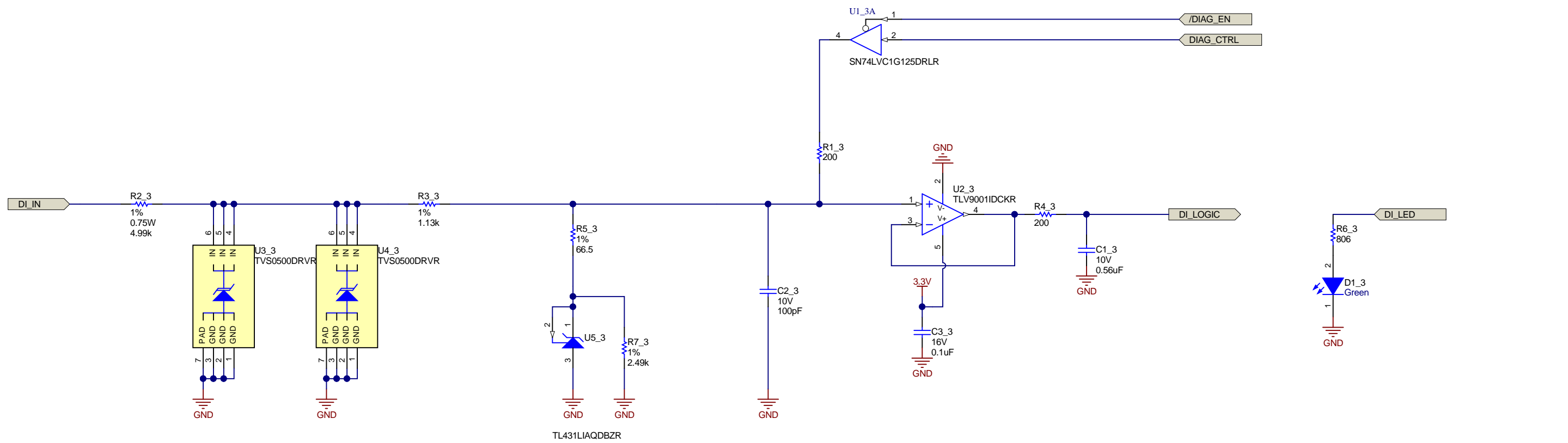


Orderable:	Designed for: Public Release	Mod. Date: 3/12/2019
TID #: TIDA-010049	Project Title: FS Digital Input Module	
Number: TIDA-010049	Rev: E2	Sheet Title:
SVN Rev: Not in version control	Assembly Variant: Standard	Sheet: 2 of 3
Drawn By:	File: TIDA-010049_DigitalInputChan.SchDoc	Size: B
Engineer: A0797073	Contact: http://www.ti.com/support	

Texas Instruments and/or its licensors do not warrant the accuracy or completeness of this specification or any information contained therein. Texas Instruments and/or its licensors do not warrant that this design will meet the specifications, will be suitable for your application or fit for any particular purpose, or will operate in an implementation. Texas Instruments and/or its licensors do not warrant that the design is production worthy. You should completely validate and test your design implementation to confirm the system functionality for your application.



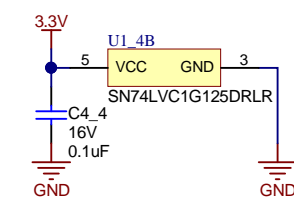
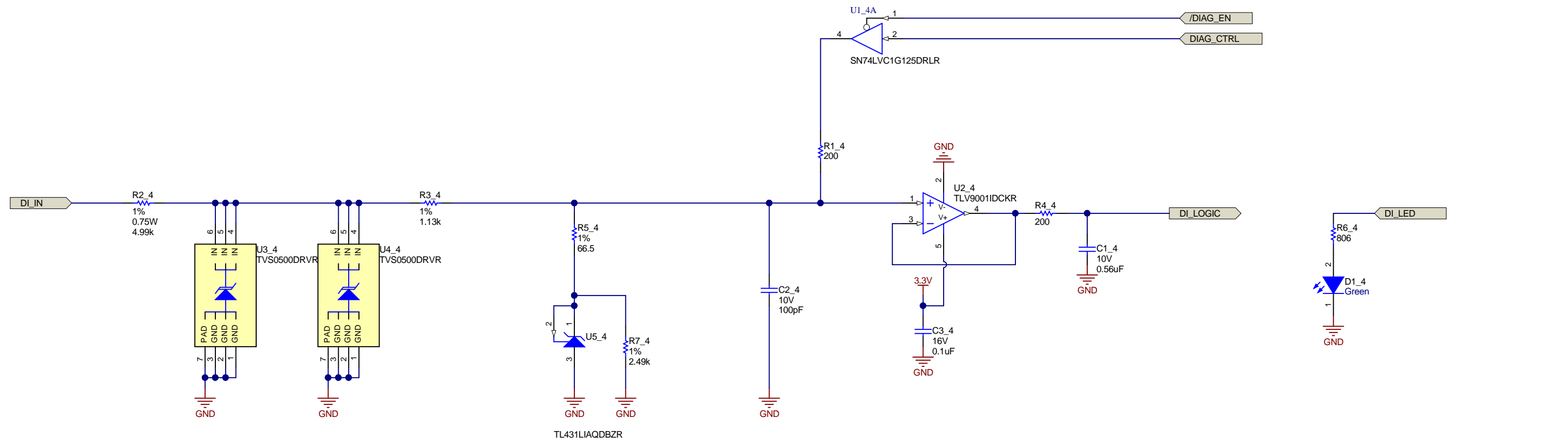
© Texas Instruments 2019



Texas Instruments and/or its licensors do not warrant the accuracy or completeness of this specification or any information contained therein. Texas Instruments and/or its licensors do not warrant that this design will meet the specifications, will be suitable for your application or fit for any particular purpose, or will operate in an implementation. Texas Instruments and/or its licensors do not warrant that the design is production worthy. You should completely validate and test your design implementation to confirm the system functionality for your application.

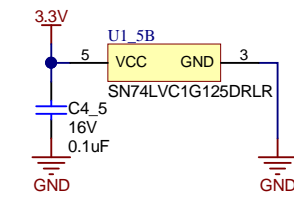
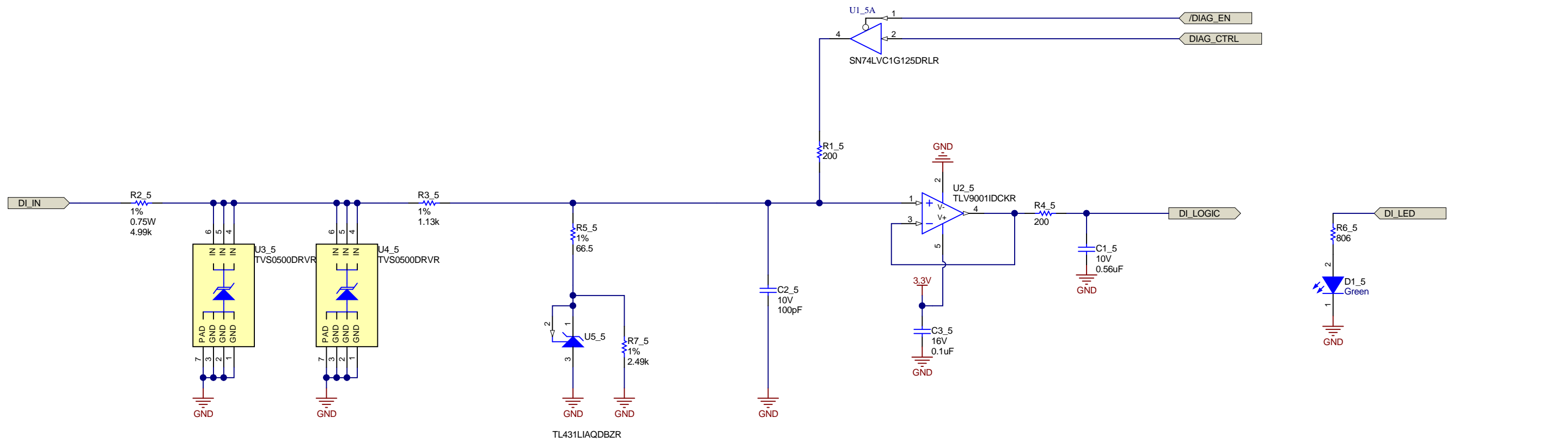
Orderable:	Designed for: Public Release	Mod. Date: 3/12/2019
TID #: TIDA-010049	Project Title: FS Digital Input Module	
Number: TIDA-010049	Rev: E2	Sheet: 2 of 3
SVN Rev: Not in version control	Assembly Variant: Standard	Size: B
Drawn By:	File: TIDA-010049_DigitalInputChan.SchDoc	http://www.ti.com
Engineer: A0797073	Contact: http://www.ti.com/support	© Texas Instruments 2019





Texas Instruments and/or its licensors do not warrant the accuracy or completeness of this specification or any information contained therein. Texas Instruments and/or its licensors do not warrant that this design will meet the specifications, will be suitable for your application or fit for any particular purpose, or will operate in an implementation. Texas Instruments and/or its licensors do not warrant that the design is production worthy. You should completely validate and test your design implementation to confirm the system functionality for your application.

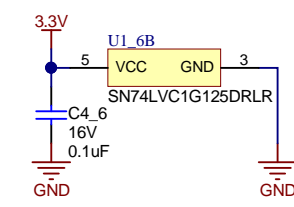
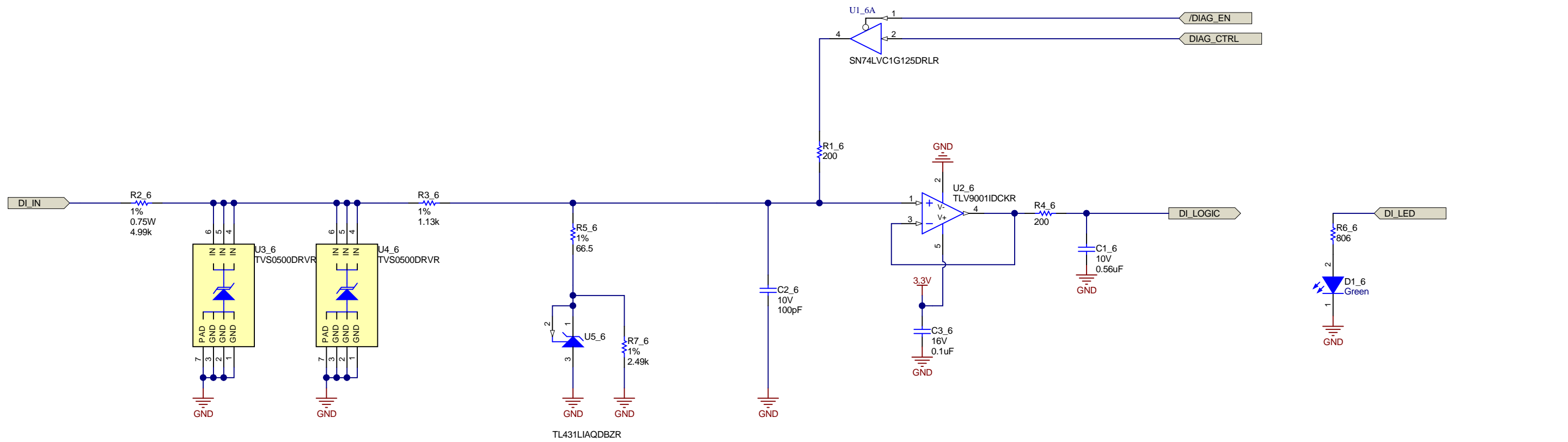
Orderable:	Designed for: Public Release	Mod. Date: 3/12/2019
TID #: TIDA-010049	Project Title: FS Digital Input Module	
Number: TIDA-010049	Rev: E2	Sheet Title:
SVN Rev: Not in version control	Assembly Variant: Standard	Sheet: 2 of 3
Drawn By:	File: TIDA-010049_DigitalInputChan.SchDoc	Size: B
Engineer: A0797073	Contact: http://www.ti.com/support	



Texas Instruments and/or its licensors do not warrant the accuracy or completeness of this specification or any information contained therein. Texas Instruments and/or its licensors do not warrant that this design will meet the specifications, will be suitable for your application or fit for any particular purpose, or will operate in an implementation. Texas Instruments and/or its licensors do not warrant that the design is production worthy. You should completely validate and test your design implementation to confirm the system functionality for your application.

Orderable:	Designed for: Public Release	Mod. Date: 3/12/2019
TID #: TIDA-010049	Project Title: FS Digital Input Module	
Number: TIDA-010049	Rev: E2	Sheet: 2 of 3
SVN Rev: Not in version control	Assembly Variant: Standard	Size: B
Drawn By:	File: TIDA-010049_DigitalInputChan.SchDoc	http://www.ti.com
Engineer: A0797073	Contact: http://www.ti.com/support	© Texas Instruments 2019



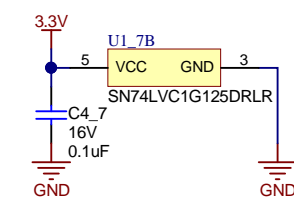
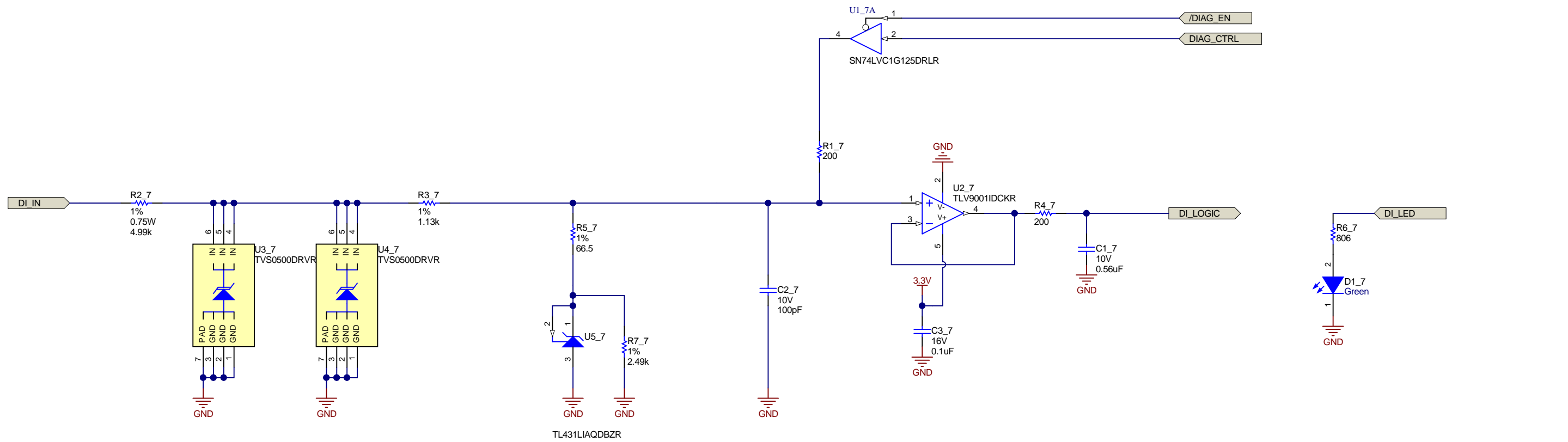


Texas Instruments and/or its licensors do not warrant the accuracy or completeness of this specification or any information contained therein. Texas Instruments and/or its licensors do not warrant that this design will meet the specifications, will be suitable for your application or fit for any particular purpose, or will operate in an implementation. Texas Instruments and/or its licensors do not warrant that the design is production worthy. You should completely validate and test your design implementation to confirm the system functionality for your application.

Orderable:	Designed for: Public Release	Mod. Date: 3/12/2019
TID #: TIDA-010049	Project Title: FS Digital Input Module	
Number: TIDA-010049	Rev: E2	Sheet Title:
SVN Rev: Not in version control	Assembly Variant: Standard	Sheet: 2 of 3
Drawn By:	File: TIDA-010049_DigitalInputChan.SchDoc	Size: B
Engineer: A0797073	Contact: http://www.ti.com/support	



© Texas Instruments 2019

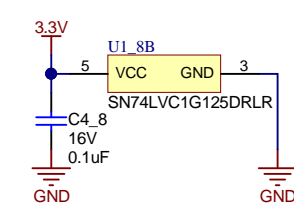
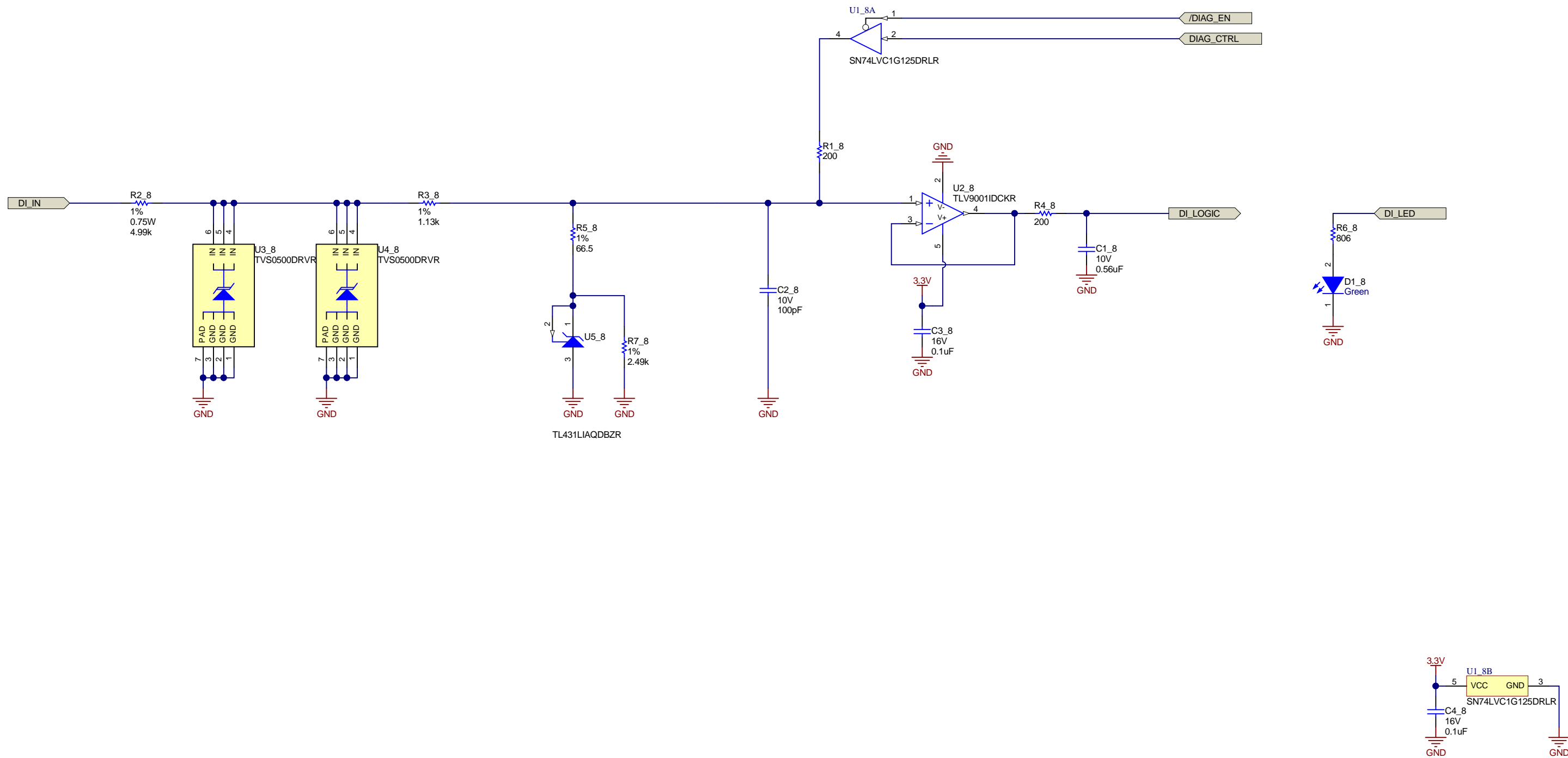


Texas Instruments and/or its licensors do not warrant the accuracy or completeness of this specification or any information contained therein. Texas Instruments and/or its licensors do not warrant that this design will meet the specifications, will be suitable for your application or fit for any particular purpose, or will operate in an implementation. Texas Instruments and/or its licensors do not warrant that the design is production worthy. You should completely validate and test your design implementation to confirm the system functionality for your application.

Orderable:	Designed for: Public Release	Mod. Date: 3/12/2019
TID #: TIDA-010049	Project Title: FS Digital Input Module	
Number: TIDA-010049	Rev: E2	Sheet Title:
SVN Rev: Not in version control	Assembly Variant: Standard	Sheet: 2 of 3
Drawn By:	File: TIDA-010049_DigitalInputChan.SchDoc	Size: B
Engineer: A0797073	Contact: http://www.ti.com/support	



© Texas Instruments 2019



Texas Instruments and/or its licensors do not warrant the accuracy or completeness of this specification or any information contained therein. Texas Instruments and/or its licensors do not warrant that this design will meet the specifications, will be suitable for your application or fit for any particular purpose, or will operate in an implementation. Texas Instruments and/or its licensors do not warrant that the design is production worthy. You should completely validate and test your design implementation to confirm the system functionality for your application.

Orderable:	Designed for: Public Release	Mod. Date: 3/12/2019
TID #: TIDA-010049	Project Title: FS Digital Input Module	
Number: TIDA-010049	Rev: E2	Sheet Title:
SVN Rev: Not in version control	Assembly Variant: Standard	Sheet: 2 of 3
Drawn By:	File: TIDA-010049_DigitalInputChan.SchDoc	Size: B
Engineer: A0797073	Contact: http://www.ti.com/support	



© Texas Instruments 2019

IMPORTANT NOTICE AND DISCLAIMER

TI PROVIDES TECHNICAL AND RELIABILITY DATA (INCLUDING DATASHEETS), DESIGN RESOURCES (INCLUDING REFERENCE DESIGNS), APPLICATION OR OTHER DESIGN ADVICE, WEB TOOLS, SAFETY INFORMATION, AND OTHER RESOURCES "AS IS" AND WITH ALL FAULTS, AND DISCLAIMS ALL WARRANTIES, EXPRESS AND IMPLIED, INCLUDING WITHOUT LIMITATION ANY IMPLIED WARRANTIES OF MERCHANTABILITY, FITNESS FOR A PARTICULAR PURPOSE OR NON-INFRINGEMENT OF THIRD PARTY INTELLECTUAL PROPERTY RIGHTS.

These resources are intended for skilled developers designing with TI products. You are solely responsible for (1) selecting the appropriate TI products for your application, (2) designing, validating and testing your application, and (3) ensuring your application meets applicable standards, and any other safety, security, or other requirements. These resources are subject to change without notice. TI grants you permission to use these resources only for development of an application that uses the TI products described in the resource. Other reproduction and display of these resources is prohibited. No license is granted to any other TI intellectual property right or to any third party intellectual property right. TI disclaims responsibility for, and you will fully indemnify TI and its representatives against, any claims, damages, costs, losses, and liabilities arising out of your use of these resources.

TI's products are provided subject to TI's Terms of Sale (www.ti.com/legal/termsofsale.html) or other applicable terms available either on ti.com or provided in conjunction with such TI products. TI's provision of these resources does not expand or otherwise alter TI's applicable warranties or warranty disclaimers for TI products.

Mailing Address: Texas Instruments, Post Office Box 655303, Dallas, Texas 75265
Copyright © 2019, Texas Instruments Incorporated