

TI Designs

Using LMH6521 in DC-Coupled Applications Design Guide



TI Designs

TI Designs are analog solutions created by TI's analog experts. Reference designs offer the theory, component selection, and simulation of useful circuits. Circuit modifications that help to meet alternate design goals are also discussed.

Circuit Description

This design shows the application of a DC-capable circuit for the LMH6521. This design is appropriate for DC-coupled circuits and applications where the signal path is close to DC, such as zero IF.

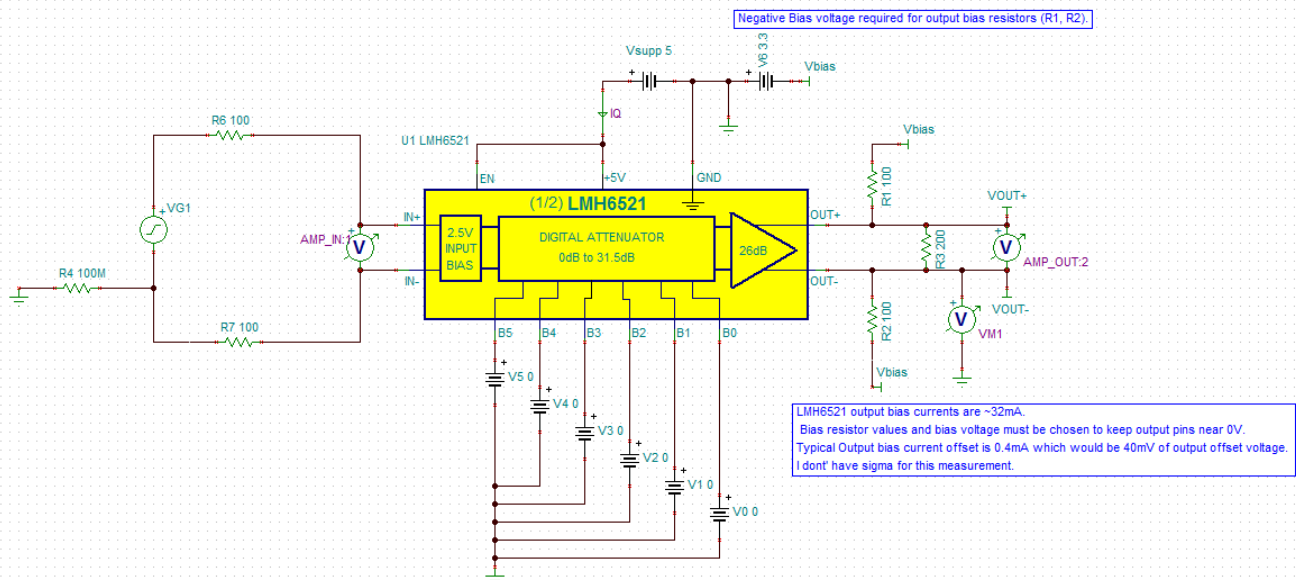
Design Resources

- [TIDA-00383](#)
- [TINA-TI™](#)
- [LMH6521](#)

- Tool Folder Containing Design Files
- Product Folder
- Product Folder



[ASK Our E2E Experts](#)
[WEBENCH® Calculator Tools](#)



An IMPORTANT NOTICE at the end of this TI reference design addresses authorized use, intellectual property matters and other important disclaimers and information.

1 Design Summary

- Supply voltage: 5 V and -3 V
- Supply current: 300 mA
- Output common-mode voltage: $0\text{ V} \pm 0.5\text{ V}$
- Maximum gain: 26 dB

A valid DC-coupled operation is achievable with the LMH6521; however, the setup requires significant care in the system design. The input of the LMH6521 is self-biased to 2.5 V. Devices connected to the LMH6521 input must be configured to preserve this voltage level. The biggest practical challenge for a DC-coupled operation of the LMH6521 involves the output of the device. This paper describes some of the possible issues involved with using the LMH6521 in DC-coupled applications and offers solutions.

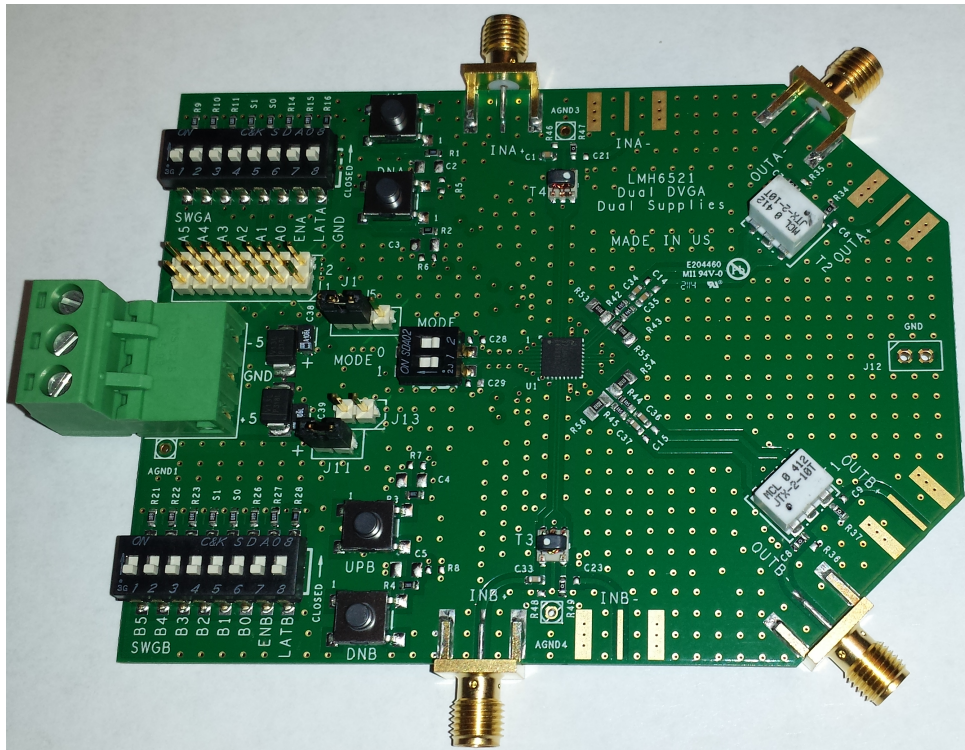


Figure 1. LMH6521 DC-Coupled Design Board

The evaluation board shown in [Figure 1](#) has input and output baluns to evaluate harmonic distortion and intermodulation distortion. The baluns were removed for the frequency response measurement shown in [Figure 2](#).

2 Theory of Operation

The LMH6521 device design offers phenomenal distortion performance and a large output swing from a single 5-V supply. To gain this performance, users must bias the output devices. For best performance, use a bias voltage of 0 V; however, a higher bias voltage will offer some advantages at the expense of device performance. Table 1 and Table 2 show the bias conditions for 0 V and 1 V respectively. The maximum output swing at the 0-V bias condition is 11 V_{pp}; it is 9 V_{pp} when the outputs are biased to 1 V.

For AC-coupled applications, this biasing is easily accomplished with RF chokes or inductors. Using RF chokes or inductors to bias the output stage does not allow for DC-coupled applications.

2.1 Equations

In the example, 100-Ω bias resistors are selected to provide a good balance between amplifier loading and a reasonable negative supply voltage. The bias voltage of –3.3 V is very close to the predicted voltage of –3.6 V based on the datasheet bias current value of 0.036 A. For design purposes, select the negative supply voltage such that the negative supply = –R × 0.036 A.

$$V_{\text{NegativeSupply}} = R_{\text{Bias}} \times 0.036 \text{ A} \quad (1)$$

Table 1. Bias Resistor Selection for 0-V Output Common Mode

BIAS RESISTOR	BIAS VOLTAGE	BIAS POWER
50	–1.8	65 mW
100	–3.6	130 mW
200	–7.2	260 mW
> 200	Not recommended	

Table 2. Bias Resistor Selection for 1-V Common Mode

BIAS RESISTOR	BIAS VOLTAGE	BIAS POWER
50	–0.8	13 mW
100	–2.6	68 mW
200	–6.2	192 mW

Overall, the 100-Ω resistors offer a great balance of output impedance for the amplifier, power consumption in the bias resistors, and performance of the amplifier. Slightly better distortion performance is achievable with the 200-Ω resistors, but with a significant increase in power.

3 Designing for DC-Coupled Operation

The LMH6521 output stage is a PNP, open collector output. This type of output stage indicates that there is a bias current flowing out of the device, and that modulation of this current provides the output voltage. If there is no output current the output transistors saturate and float to 5 V. The standard configuration for the LMH6521 device is to be biased with inductors that provide a DC path for the bias currents while providing virtually no load condition for the high-frequency signal.

For DC-coupled operation, the inductors must be removed and an alternate method for providing bias current to the output devices must be arranged. The most obvious method is to select a small-value resistor to take the place of the inductor. This method has been tested in the lab and has several drawbacks, such as a lower available output swing and degraded distortion. The method that this user document details is a similar variant that does use resistors.

To fully utilize the LMH6521 output capabilities, the device must be biased close to 0 V. To achieve this biasing with resistors of realistic values there must be a negative supply voltage available. The LMH6521 is a dual amplifier and each output pin sources 36 mA. The negative power supply must be able to sink 128 mA of current. To cover process variations and temperature fluctuations, use a 200-mA supply. While the current requirements of the negative supply are fixed, the voltage requirement is not. The system design most likely dictates that the LMH6521 device drive a matched load with a value between 100 to 500 Ω . Because the resistive bias sets up a parallel load, avoid lower values of load impedance. The example circuit is set up for a matched load of 200 Ω . This means that the amplifier drives a total load of 100 Ω , which is slightly below the optimal load conditions for this amplifier.

As shown in the example circuit, there is a -3.3-V source connected to two 100- Ω bias resistors for each channel of the LMH6521 (only one channel is shown). An analysis of the DC operation point shows that these connections provide each output with a voltage of 18 mV, which is almost ideal. The goal of the design is to bias the outputs within the range of -0.25 V to $+0.25\text{ V}$.

As shown in [Figure 2](#) the response of the modified evaluation module (EVM) has a flat frequency response at low frequencies.

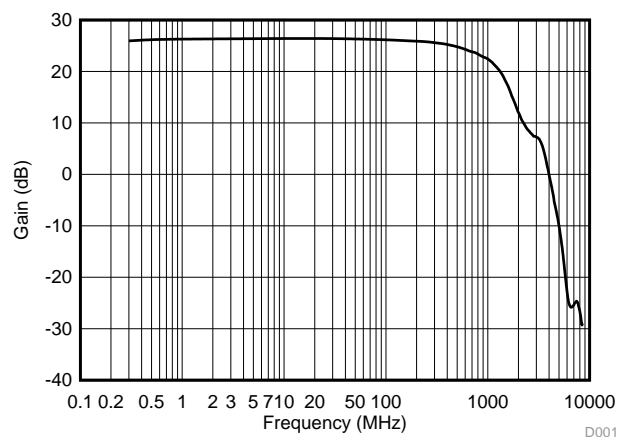


Figure 2. DC-Coupled Frequency Response

4 Simulation

The plot in Figure 3 is the transient response. Because the amplifier is differential, the output signal has no DC information in the plot and always shows a 0-V reference (unless the balance error is excessive). When evaluating the DC performance of a differential amplifier, it is useful to plot one (or both) of the outputs as single-ended. This is shown by the trace VM1 in the plot. This plot confirms that the LMH6521 outputs are operating near 0 V as is required for optimum performance.

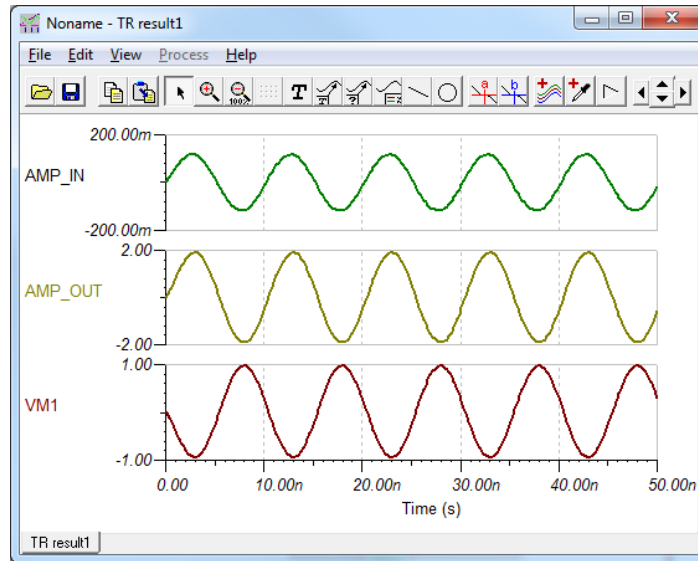


Figure 3. TINA-TI Transient Simulation (VM1 Shows OUT- With DC Information)

The next transient plot in Figure 4 shows the amplifier with no output bias voltage—the resistors are biased to ground (note that this behavior is not correctly modeled in the default LMH6521 TINA model). The default TINA model outputs must be biased to within 0.25 V of ground for proper model operation. An easy modification to the default TINA model will allow for a more accurate modeling of the output bias currents, shown in Figure 5.

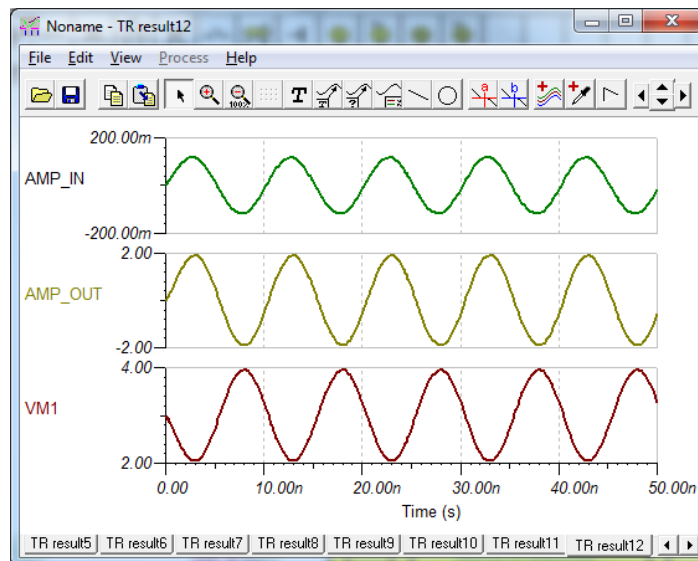


Figure 4. Transient Response—Wrong DC Bias Point

Simulations in TINA show that distortion is probably not accurately modeled. After simulating with and without a negative bias voltage, the DC operating point was not accurately reflected. There is also no evidence of saturation of the output devices. These results indicate that the LMH6521 TINA model is only accurate for small to moderate signal levels and only for DC operating points that place the output pins within 0.25 V of ground.

A simple change to the TINA model allows for accurate modeling of the DC operating point. This is shown in the modified TINA model in [Figure 5](#). AC simulations also work with this model because the 10-F capacitors and the infinite-impedance current sources have no impact on the AC signal path.

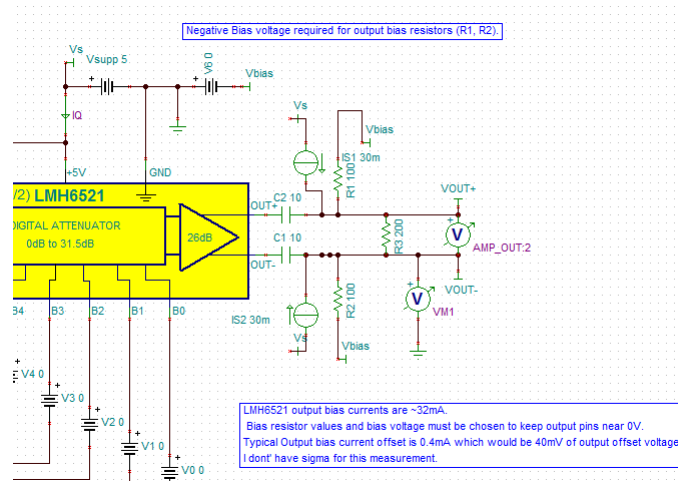


Figure 5. Modified TINA Model for DC Operating Point With Negative Bias Voltage

5 Measured Results

The reference design is built and tested for bandwidth and distortion. The bandwidth is shown in [Figure 2](#). The distortion results are shown in [Table 3](#) and [Table 4](#). The bias resistors are 100 Ω, which means the initial load was 200 Ω. The application load is in parallel with the bias resistors, which makes the net load lower. In the measured data for [Table 3](#), the application load is 100 Ω, while the application load for the data in [Table 4](#) is 180 Ω.

Table 3. Measured Distortion for RLoad = 67 Ω

FREQUENCY	Vpp	HD2	HD3
50 mHz	1 Vpp	-86	-86
	2 Vpp	-83	-88
200 mHz	1 Vpp	-69	-82
	2 Vpp	-63	-71

Table 4. Measured Distortion for RLoad = 95 Ω

FREQUENCY	Vpp	HD2	HD3
50 mHz	1 Vpp	-80	-80
	2 Vpp	-81	-86
200 mHz	1 Vpp	-71	-80
	2 Vpp	-66	-75

6 Board Schematics

The schematics for the reference design are shown in [Figure 6](#) and [Figure 7](#). The signal path is identical to the standard LMH6521 evaluation module except for the bias resistors and bias resistor decoupling capacitors.

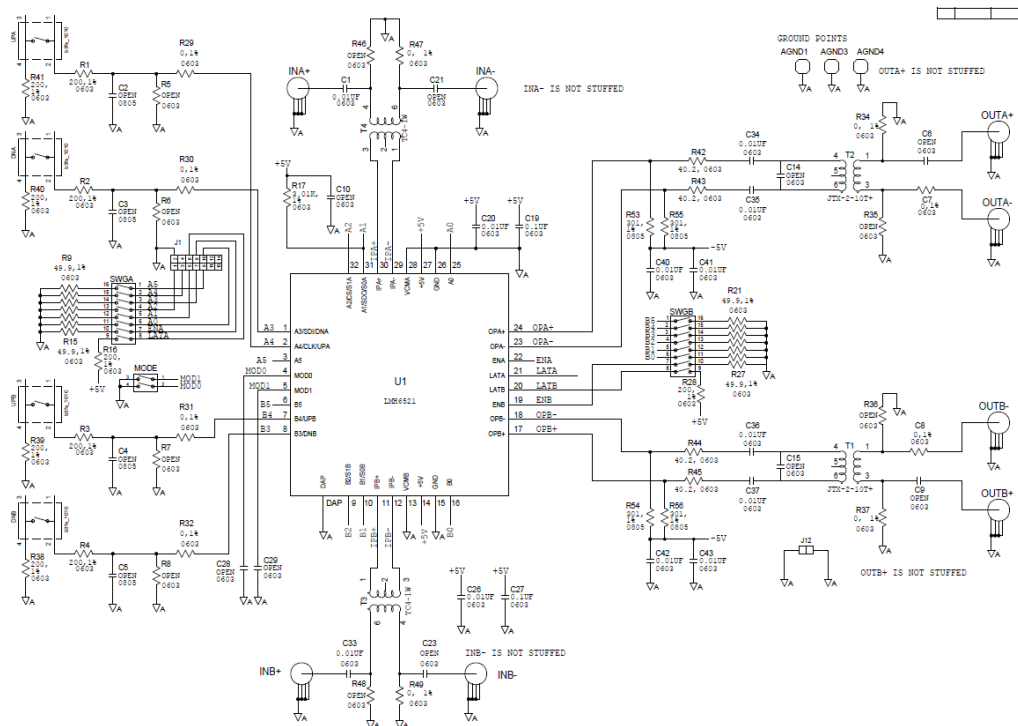


Figure 6. Signal Path Schematic

The negative power supply is set up for maximum flexibility, so there is the option for an external bench supply or an on-board -3.3-V switching regulator. Referring to [Figure 7](#) and [Figure 8](#): To use the on-board regulator, set the jumper on J5 to connect pins 2 and 3. Setting the jumper on J5 to connect pins 1 and 2 sends power from the board-edge power connector to the bias resistors.

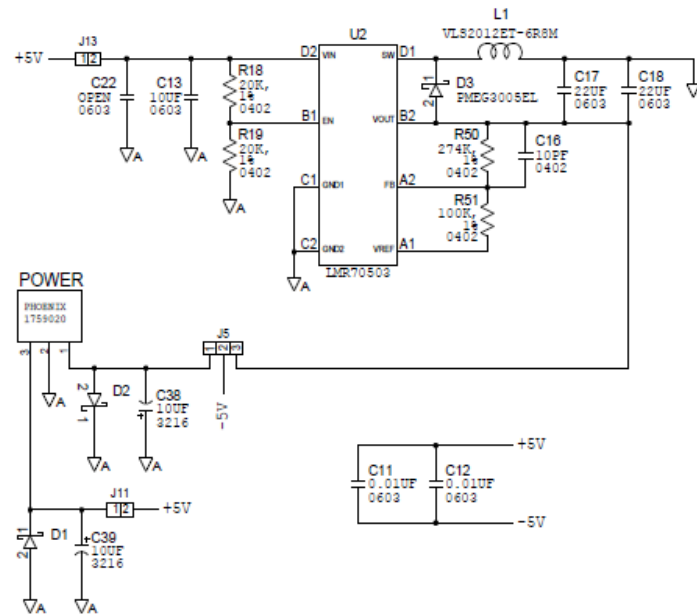


Figure 7. Negative Power Supply Schematic

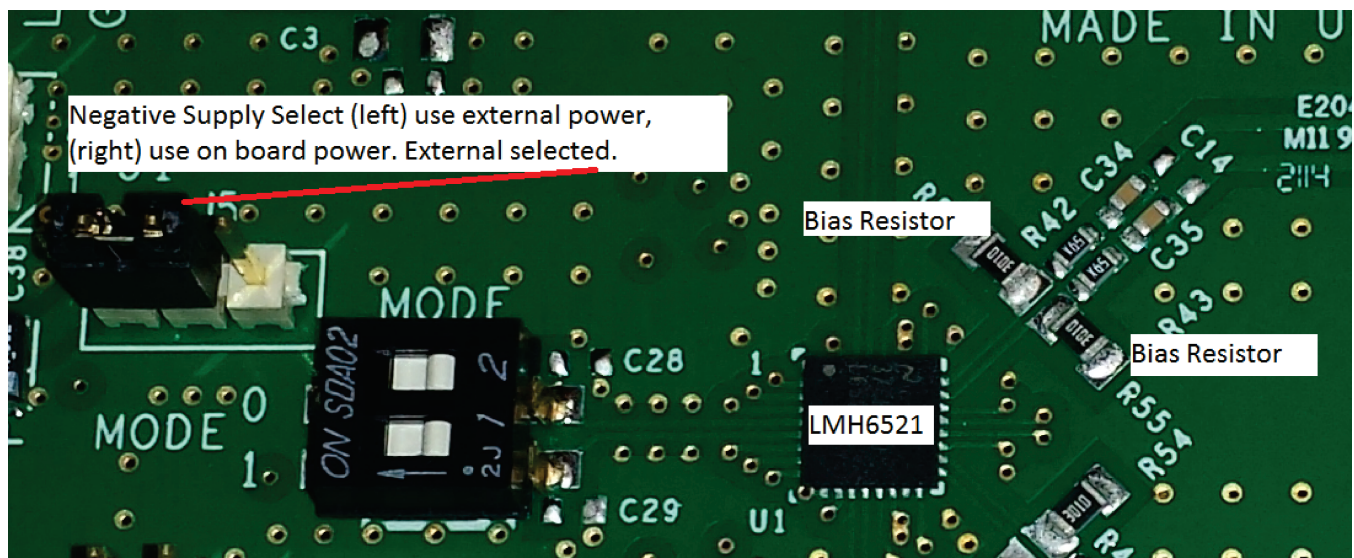


Figure 8. Close-Up of Design Board

7 BOM

To download the bill of materials (BOM), see the design files at TIDA-00383.

Table 5. BOM

MANUFACTURER	PART NUMBER	QUANTITY	DIGIKEY PN	MOUSER PN	NEWARK PN	DESIGNATOR	DESCRIPTION	VALUE
-	-	3	Digikey Order	Mouser Order	Newark Order	AGND1, AGND3, AGND4	-	
Panasonic	06035C103KAT2A	14	Digikey Order	Mouser Order	Newark Order	C1, C11, C12, C20, C26, C33-C37, C40-C43	CAP 10000 PF 50 V CERM X7R 0603	0.01 μ F
-	-	14	Digikey Order	Mouser Order	Newark Order	C2-C6, C9-C10, C14, C15, C21-C23, C28, C29	-	-
TDK Corporation	C1608X5R1A106M080 AC	1	Digikey Order	Mouser Order	Newark Order	C13	CAP CER 10 μ F 10 V 20% X5R 0603	10 μ F
Kemet	C0402C100J5GACTU	1	Digikey Order	Mouser Order	Newark Order	C16	CAP CER 10 PF 50 V 5% NP0 0402	10 pF
TDK Corporation	C1608X5R0J226M080 AC	2	Digikey Order	Mouser Order	Newark Order	C17, C18	CAP CER 22 μ F 6.3 V 20% X5R 0603	22 μ F
Kemet	C0603X104K3RACTU	2	Digikey Order	Mouser Order	Newark Order	C19, C27	CAP CER 0.1 μ F 25 V 10% X7R 0603	0.1 μ F
Vishay Sprague	293D106X9010A2TE3	2	Digikey Order	Mouser Order	Newark Order	C38, C39	CAP TANT 10 μ F 10 V 10% 1206	10 μ F
Panasonic	ERJ-3GEY0R00V	10	Digikey Order	Mouser Order	Newark Order	C7, C8, R29-R32, R34, R37, R47, R49	RES 0.0 Ω 1/10 W Jump 0603 SMD	0.0 Ω
Vishay/Semiconductors	VS-STPS1L30UPBF	2	Digikey Order	Mouser Order	Newark Order	D1, D2	Diode Schottky 30 V 1 A DO214AA	-
NXP Semiconductors	PMEG3005EL,315	1	Digikey Order	Mouser Order	Newark Order	D3	Diode Schottky 30 V 0.5 A SOD882	-
Omron Electronics Inc-EMC Div	B3FS-1010P	4	Digikey Order	Mouser Order	Newark Order	DNA, DNB, UPA, UPB	Switch Tactile Spst-No 0.05 A 24 V	-
Emerson	142-0701-806	4	Digikey Order	Mouser Order	Newark Order	INA+, INB+, OUTA-, OUTB-	Conn Jack Rcpt End Launch Nickel	-
-	-	4	Digikey Order	Mouser Order	Newark Order	INA-, INB-, OUTA+, OUTB+	-	-
Sullins Connector Solutions	PBC36SAAN	4	Digikey Order	Mouser Order	Newark Order	J1, J5, J11, J13	Conn Header .100 SINGL STR 36POS	-
-	-	1	Digikey Order	Mouser Order	Newark Order	J12	-	-
TDK Corporation	VLS2012ET-6R8M	1	Digikey Order	Mouser Order	Newark Order	L1	Inductor Power 6.8 μ H .64 A SMD	6.8 μ H
C&K Components	SDA02H0SBD	1	Digikey Order	Mouser Order	Newark Order	MODE	Switch Dip Top Slide 2-POS SMD	-

Table 5. BOM (continued)

MANUFACTURER	PART NUMBER	QUANTITY	DIGIKEY PN	MOUSER PN	NEWARK PN	DESIGNATOR	DESCRIPTION	VALUE
Phoenix Contact	1759020	1	Digikey Order	Mouser Order	Newark Order	POWER	Term Block Hdr 3-POS R/A 5.08MM	-
Panasonic	ERJ-3EKF2000V	10	Digikey Order	Mouser Order	Newark Order	R1-R4, R16, R28, R38-R41	RES 200 Ω 1/10 W 1% 0603 SMD	200 Ω
Panasonic	ERJ-3EKF49R9V	14	Digikey Order	Mouser Order	Newark Order	R9-R15, R21-R27	RES 49.9 Ω 1/10 W 1% 0603 SMD	49.9 Ω
Panasonic	ERJ-3EKF3011V	1	Digikey Order	Mouser Order	Newark Order	R17	RES 3.01 k Ω 1/10 W 1% 0603 SMD	3.01 k Ω
Panasonic	ERJ-2RKF2002X	2	Digikey Order	Mouser Order	Newark Order	R18, R19	RES 20 k Ω 1/10 W 1% 0402 SMD	20 k Ω
-	-	8	Digikey Order	Mouser Order	Newark Order	R5-R8, R35, R36, R46, R48	-	-
Panasonic	ERJ-3EKF40R2V	4	Digikey Order	Mouser Order	Newark Order	R42-R45	RES 40.2 Ω 1/10 W 1% 0603 SMD	40.2 Ω
Panasonic	ERJ-2RKF2743X	1	Digikey Order	Mouser Order	Newark Order	R50	RES 274 k Ω 1/10 W 1% 0402 SMD	274 k Ω
Panasonic	ERJ-2RKF1003X	1	Digikey Order	Mouser Order	Newark Order	R51	RES 100 k Ω 1/10 W 1% 0402 SMD	100 k Ω
Panasonic	ERJ-6ENF3010V	4	Digikey Order	Mouser Order	Newark Order	R53-R56	RES 301 Ω 1/8 W 1% 0805 SMD	301 Ω
C&K Components	SDA08H1SBD	2	Digikey Order	Mouser Order	Newark Order	SWG A, SWGB	Switch Dip Top Slide 8- POS SMD	-
MINI-CIRCUITS	JTX-2-10T+	2	Mini-Circuits			T1, T2	Surface Mount RF Transformer 75 Ω 50 to 1000 mHz + RoHS compliant	-
MINI-CIRCUITS	TC4-1W+	2	Mini-Circuits			T3, T4	Surface Mount RF Transformer 50 Ω 3 to 800 mHz + RoHS compliant	-
Texas Instruments	LMH6521SQE/NOPB	1	Digikey Order	Mouser Order	Newark Order	U1	DUAL DVGA	-
Texas Instruments	LMR70503TM/NOPB	1	Digikey Order	Mouser Order	Newark Order	U2	IC Reg Buck BST INV ADJ 8DSBGA	-
Phoenix Contact	1757022	1	Digikey Order	Mouser Order	Newark Order	***SEE COMMENTS***	Conn Term Block Plug 2-POS 5.08 mm	-
Sullins Connector Solutions	SPC02SYAN	1	Digikey Order	Mouser Order	Newark Order	***SEE COMMENTS***	Conn Jumper Shorting Gold Flash	-

8 References

1. *LMH6521 High Performance Dual DVGA (Rev. D)* ([LMH6521](#))

About the Author

LOREN SIEBERT Loren Siebert has been an applications engineer with National Semiconductor and Texas Instruments since 2000. Loren has supported high speed amplifiers in a wide array of applications ranging from video buffers to communications devices.

IMPORTANT NOTICE FOR TI REFERENCE DESIGNS

Texas Instruments Incorporated ("TI") reference designs are solely intended to assist designers ("Buyers") who are developing systems that incorporate TI semiconductor products (also referred to herein as "components"). Buyer understands and agrees that Buyer remains responsible for using its independent analysis, evaluation and judgment in designing Buyer's systems and products.

TI reference designs have been created using standard laboratory conditions and engineering practices. **TI has not conducted any testing other than that specifically described in the published documentation for a particular reference design.** TI may make corrections, enhancements, improvements and other changes to its reference designs.

Buyers are authorized to use TI reference designs with the TI component(s) identified in each particular reference design and to modify the reference design in the development of their end products. HOWEVER, NO OTHER LICENSE, EXPRESS OR IMPLIED, BY ESTOPPEL OR OTHERWISE TO ANY OTHER TI INTELLECTUAL PROPERTY RIGHT, AND NO LICENSE TO ANY THIRD PARTY TECHNOLOGY OR INTELLECTUAL PROPERTY RIGHT, IS GRANTED HEREIN, including but not limited to any patent right, copyright, mask work right, or other intellectual property right relating to any combination, machine, or process in which TI components or services are used. Information published by TI regarding third-party products or services does not constitute a license to use such products or services, or a warranty or endorsement thereof. Use of such information may require a license from a third party under the patents or other intellectual property of the third party, or a license from TI under the patents or other intellectual property of TI.

TI REFERENCE DESIGNS ARE PROVIDED "AS IS". TI MAKES NO WARRANTIES OR REPRESENTATIONS WITH REGARD TO THE REFERENCE DESIGNS OR USE OF THE REFERENCE DESIGNS, EXPRESS, IMPLIED OR STATUTORY, INCLUDING ACCURACY OR COMPLETENESS. TI DISCLAIMS ANY WARRANTY OF TITLE AND ANY IMPLIED WARRANTIES OF MERCHANTABILITY, FITNESS FOR A PARTICULAR PURPOSE, QUIET ENJOYMENT, QUIET POSSESSION, AND NON-INFRINGEMENT OF ANY THIRD PARTY INTELLECTUAL PROPERTY RIGHTS WITH REGARD TO TI REFERENCE DESIGNS OR USE THEREOF. TI SHALL NOT BE LIABLE FOR AND SHALL NOT DEFEND OR INDEMNIFY BUYERS AGAINST ANY THIRD PARTY INFRINGEMENT CLAIM THAT RELATES TO OR IS BASED ON A COMBINATION OF COMPONENTS PROVIDED IN A TI REFERENCE DESIGN. IN NO EVENT SHALL TI BE LIABLE FOR ANY ACTUAL, SPECIAL, INCIDENTAL, CONSEQUENTIAL OR INDIRECT DAMAGES, HOWEVER CAUSED, ON ANY THEORY OF LIABILITY AND WHETHER OR NOT TI HAS BEEN ADVISED OF THE POSSIBILITY OF SUCH DAMAGES, ARISING IN ANY WAY OUT OF TI REFERENCE DESIGNS OR BUYER'S USE OF TI REFERENCE DESIGNS.

TI reserves the right to make corrections, enhancements, improvements and other changes to its semiconductor products and services per JESD46, latest issue, and to discontinue any product or service per JESD48, latest issue. Buyers should obtain the latest relevant information before placing orders and should verify that such information is current and complete. All semiconductor products are sold subject to TI's terms and conditions of sale supplied at the time of order acknowledgment.

TI warrants performance of its components to the specifications applicable at the time of sale, in accordance with the warranty in TI's terms and conditions of sale of semiconductor products. Testing and other quality control techniques for TI components are used to the extent TI deems necessary to support this warranty. Except where mandated by applicable law, testing of all parameters of each component is not necessarily performed.

TI assumes no liability for applications assistance or the design of Buyers' products. Buyers are responsible for their products and applications using TI components. To minimize the risks associated with Buyers' products and applications, Buyers should provide adequate design and operating safeguards.

Reproduction of significant portions of TI information in TI data books, data sheets or reference designs is permissible only if reproduction is without alteration and is accompanied by all associated warranties, conditions, limitations, and notices. TI is not responsible or liable for such altered documentation. Information of third parties may be subject to additional restrictions.

Buyer acknowledges and agrees that it is solely responsible for compliance with all legal, regulatory and safety-related requirements concerning its products, and any use of TI components in its applications, notwithstanding any applications-related information or support that may be provided by TI. Buyer represents and agrees that it has all the necessary expertise to create and implement safeguards that anticipate dangerous failures, monitor failures and their consequences, lessen the likelihood of dangerous failures and take appropriate remedial actions. Buyer will fully indemnify TI and its representatives against any damages arising out of the use of any TI components in Buyer's safety-critical applications.

In some cases, TI components may be promoted specifically to facilitate safety-related applications. With such components, TI's goal is to help enable customers to design and create their own end-product solutions that meet applicable functional safety standards and requirements. Nonetheless, such components are subject to these terms.

No TI components are authorized for use in FDA Class III (or similar life-critical medical equipment) unless authorized officers of the parties have executed an agreement specifically governing such use.

Only those TI components that TI has specifically designated as military grade or "enhanced plastic" are designed and intended for use in military/aerospace applications or environments. Buyer acknowledges and agrees that any military or aerospace use of TI components that have **not** been so designated is solely at Buyer's risk, and Buyer is solely responsible for compliance with all legal and regulatory requirements in connection with such use.

TI has specifically designated certain components as meeting ISO/TS16949 requirements, mainly for automotive use. In any case of use of non-designated products, TI will not be responsible for any failure to meet ISO/TS16949.