

DS90C185 Low Power 1.8V FPD-Link (LVDS) Serializer

Check for Samples: [DS90C185](#)

FEATURES

- Typical power 50 mW at 75-MHz pclk
- Drives up to 1400x1050 at 60-Hz (SXGA+) Displays
- 2.94 Gbps of throughput
- Two operating modes: 24-bit and 18-bit RGB
- 25- to 105-MHz Pixel Clock support
- Single 1.8-V Supply
- Sleep Mode
- Spread Spectrum Clock compatibility
- Small 6mm x 6mm x 0.8mm WQFN package

APPLICATIONS

- eBooks
- Media Tablet Devices
- Netbooks
- Portable Display Monitors

DESCRIPTION

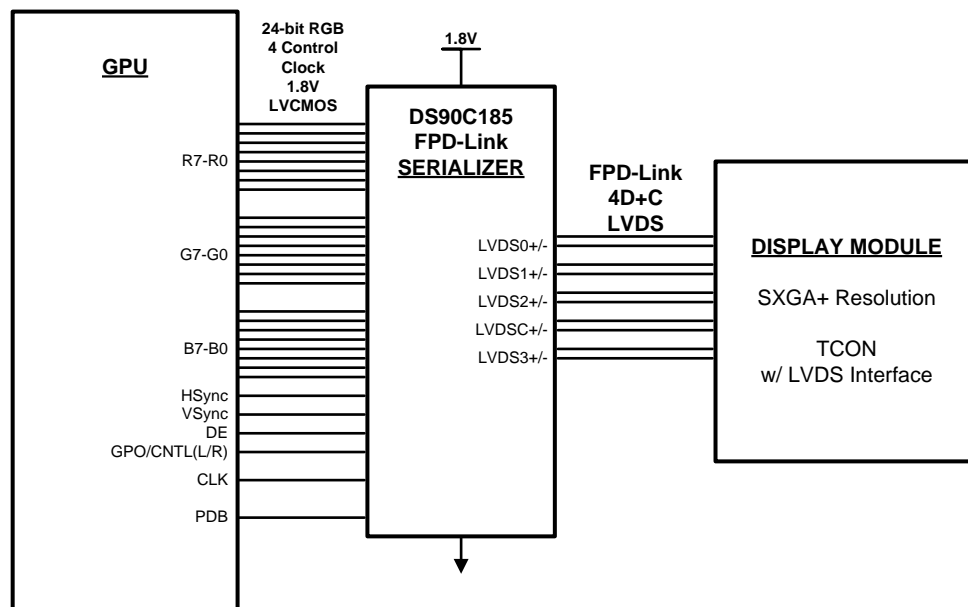
The DS90C185 is a low-power serializer for portable battery-powered applications that reduces the size of the RGB interface between the host GPU and the display.

24-bit RGB plus three video control signals are serialized and translated to LVDS-compatible levels and sent as a 4 data + clock (4D+C) reduced-width LVDS compatible interface. The LVDS Interface is compatible with FPD-Link (1) deserializers and many LVDS based displays. These interfaces are commonly supported in LCD modules with “LVDS” or FPD-Link / FlatLink single-pixel input interfaces.

Displays up to 1400x1050 at 60 fps are supported with 24-bpp color depth. 18 bpp may also be supported by a dedicated mode with a 3D+C output. Power dissipation is minimized by the full LVCMOS design and 1.8-V powered core and V_{DDIO} rails.

The DS90C185 is offered in the small 48-pin WQFN package and features single 1.8-V supply operation for minimum power dissipation (50 mW typ).

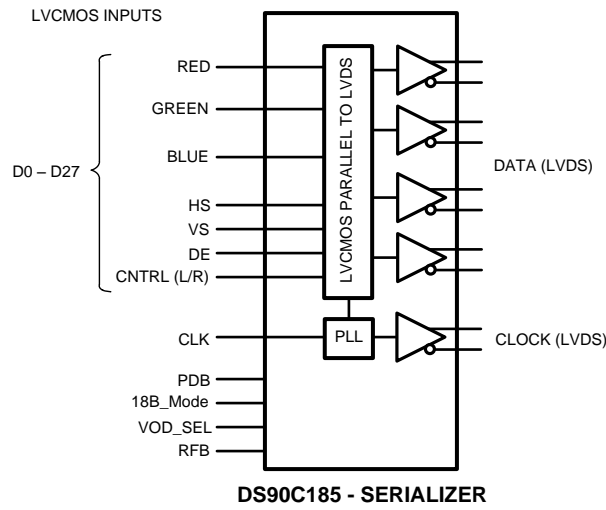
System Diagram



Please be aware that an important notice concerning availability, standard warranty, and use in critical applications of Texas Instruments semiconductor products and disclaimers thereto appears at the end of this data sheet.

All trademarks are the property of their respective owners.

Functional Block Diagram



Connection Diagram

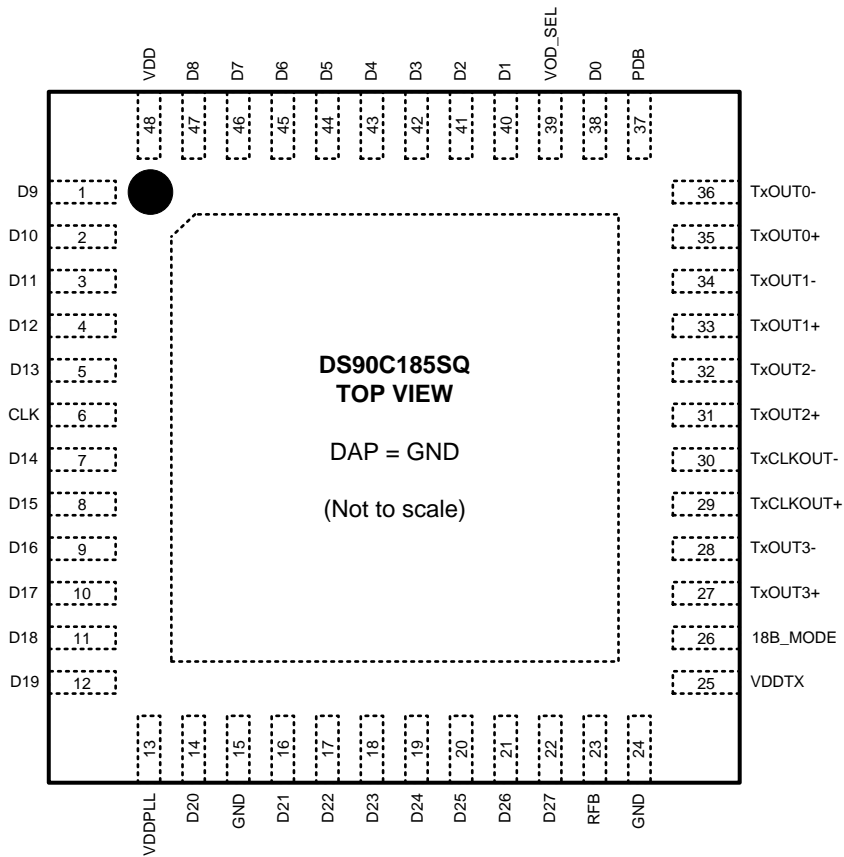


Table 1. DS90C185 Pin Descriptions

Pin Name	I/O	No.	Description
1.8 V LVCMOS VIDEO INPUTS			
D27-D21, D20, D19-D14, D13-D9, D8-D1, D0	I	22-16, 14, 12-7, 5-1, 47-40, 38	Data input pins. This includes: 8 Red, 8 Green, 8 Blue, and 3 video control lines and a general purpose or L/R control bit. Includes pull down.
CLK	I	6	Clock input. Includes pull down.
LVDS VIDEO OUTPUTS			
TxOUT0 -/+, TxOUT1 -/+, TxOUT2 -/+, TxOUT3 -/+,	O	36, 35 34, 33 32, 31 28, 27	LVDS Output Data — Expects 100 Ω DC load.
TxCLK OUT -/+	O	30, 29	LVDS Output Clock — Expects 100 Ω DC load.
1.8 V LVCMOS CONTROL INPUTS			
R_FB	I	23	LVCMOS level programmable strobe select 1 = Rising Edge Clock 0 = Falling Edge Clock — default Includes pull down.
18B_Mode	I	26	Mode Configuration Input 1 = 3D+C (18 bit RGB mode) 0 = 4D+C (24 bit RGB mode) — default Includes pull down.
VOD_SEL	I	39	VOD Select Input 0 = Reduced V _{OD} (lower power) 1 = Normal V _{OD} — default Includes pull down.
PDB	I	37	Power Down Bar(Sleep) Input 1 = ACTIVE 0 = Sleep State (low power idle) — default Includes pull down.
POWER and GROUND			
VDD	P	48	Digital power input
VDDTX	P	25	LVDS driver power input
VDDPLL	P	13	PLL power input
GND	G	15, 24	Ground pins
DAP	G		Connect DAP to ground plane



These devices have limited built-in ESD protection. The leads should be shorted together or the device placed in conductive foam during storage or handling to prevent electrostatic damage to the MOS gates.

Absolute Maximum Ratings ⁽¹⁾

Supply Voltage (V_{DD})	-0.3V to +2.5V
LVC MOS Input Voltage	-0.5V to ($V_{DD} + 0.3V$)
LVDS Driver Output Voltage	-0.3V to ($V_{DD} + 0.3V$)
LVDS Output Short Circuit Duration	Continuous
Junction Temperature	+150°C
Storage Temperature	-65°C to +150°C
Lead Temperature (Soldering, 4 sec)	+260°C
Package Derating: θ_{JA}	26.6 °C/W above +22°C
ESD Ratings	
HBM	>4kV
CDM	>1.25kV
MM	>250V

(1) "Absolute Maximum Ratings" are those values beyond which the safety of the device cannot be guaranteed. They are not meant to imply that the device should be operated at these limits. The tables of "Electrical Characteristics" specify conditions for device operation.

Recommended Operating Conditions

	Min	Nom	Max	Units
Supply Voltage (V_{DD})	1.71	1.8	1.89	V
Operating Free Air Temperature (T_A)	-10	+22	+70	°C
Supply Noise Voltage (V_{DD})			<90	mV _{PP}
Differential Load Impedance	80	100	120	Ω
Input Clock Frequency	25		105	MHz

Electrical Characteristics

Over recommended operating supply and temperature ranges unless otherwise specified.

Symbol	Parameter	Conditions	Min	Typ	Max	Units	
LVC MOS DC SPECIFICATIONS							
V_{IH}	High Level Input Voltage		0.65 V_{DD}		V_{DD}	V	
V_{IL}	Low Level Input Voltage		GND		0.35 V_{DD}	V	
I_{IN}	Input Current	$V_{IN} = 0V$ or $V_{DD} = 1.71V$ to $1.89V$	-10	±1	+10	µA	
LVDS DC SPECIFICATIONS							
V_{OD}	Differential Output Voltage	$R_L = 100\Omega$ Figure 3	VODSEL = H	160 (320)	300 (600)	450 (900)	mV (mV _{P-P})
			VODSEL = L	115 (230)	180 (360)	300 (600)	mV (mV _{P-P})
ΔV_{OD}	Change in V_{OD} between complimentary output states	$R_L = 100\Omega$			50	mV	
V_{OS}	Offset Voltage		0.8	0.9	1.0	V	
ΔV_{OS}	Change in V_{OS} between complimentary output states				50	mV	
I_{OS}	Output Short Circuit Current	$V_{OUT} = 0V$, $R_L = 100\Omega$	-45	-35	-25	mA	
I_{OZ}	Output LVDS Driver Power Down Current	PDB = 0V		±1	±10	mA	
SERIALIZER SUPPLY CURRENT							
I_{DDT1}	Serializer Supply Current Worst Case	Checkerboard pattern, $R_L = 100\Omega$, 18B_MODE = L, VOD_SEL = H, VDD = 1.89 Figure 1	f = 105 MHz		60	85	mA
I_{DDTG}	Serializer Supply Current 16 Grayscale	$R_L = 100\Omega$, 18B_MODE = L, VOD_SEL = L, VDD = 1.8 16 Grayscale Pattern	f = 75 MHz		31		mA
					41		mA
					28		mA
					36		mA

Electrical Characteristics (continued)

Over recommended operating supply and temperature ranges unless otherwise specified.

Symbol	Parameter	Conditions	Min	Typ	Max	Units
I _{DDTP}	Serializer Supply Current PRBS-7	R _L = 100Ω, 18B_MODE = L, VOD_SEL = L, VDD = 1.8 PRBS-7 Pattern	f = 75 MHz Figure 11	33		mA
		R _L = 100Ω, 18B_MODE = L, VOD_SEL = H, VDD = 1.8 PRBS-7 Pattern		45		mA
		R _L = 100Ω, 18B_MODE = H, VOD_SEL = L, VDD = 1.8 PRBS-7 Pattern		29		mA
		R _L = 100Ω, 18B_MODE = H, VOD_SEL = H, VDD = 1.8 PRBS-7 Pattern		38		mA
I _{DDZ}	Serializer Power Down Current			18	200	μA

Recommended Transmitter Input Characteristics

Over recommended operating supply and temperature ranges unless otherwise specified

Symbol	Parameter	Min	Typ	Max	Units
TCIT	TxCLK IN Transition Time (Figure 5)	1.0		6.0	ns
TCIP	TxCLK IN Period (Figure 6)	9.52	T	40	ns
TCIH	TxCLK IN High Time (Figure 6)	0.35T	0.5T	0.65T	ns
TCIL	TxCLK IN Low Time (Figure 6)	0.35T	0.5T	0.65T	ns

Transmitter Switching Characteristics

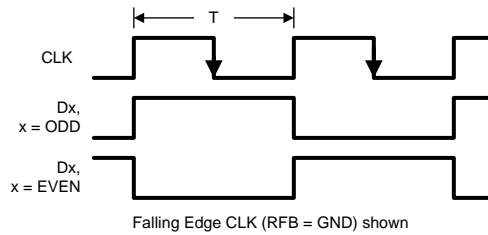
Over recommended operating supply and temperature ranges unless otherwise specified

Symbol	Parameter	Min	Typ	Max	Units
LLHT	LVDS Low-to-High Transition Time (Figure 4 ⁽¹⁾)		0.18	0.5	ns
LHLT	LVDS High-to-Low Transition Time (Figure 4 ⁽¹⁾)		0.18	0.5	ns
TPPOS0	Transmitter Output Pulse Positions Normalized for Bit 0	f = 105 MHz Figure 10	1		UI
TPPOS1	Transmitter Output Pulse Positions Normalized for Bit 1		2		UI
TPPOS2	Transmitter Output Pulse Positions Normalized for Bit 2		3		UI
TPPOS3	Transmitter Output Pulse Positions Normalized for Bit 3		4		UI
TPPOS4	Transmitter Output Pulse Positions Normalized for Bit 4		5		UI
TPPOS5	Transmitter Output Pulse Positions Normalized for Bit 5		6		UI
TPPOS6	Transmitter Output Pulse Positions Normalized for Bit 6		7		UI
ΔTPPOS	Variation in Transmitter Pulse Position (Bit 6 — Bit 0)			±0.06	
TSTC	Required TxIN Setup to TxCLK IN	Figure 6	0		ns
THTC	Required TxIN Hold to TxCLK IN		2.5		ns
TCCJ	Cycle to Cycle Jitter	f = 105 MHz ⁽¹⁾	0.028	0.035	UI
TSD	Serializer Propagation Delay	f = 105 MHz Figure 7	2*TCIP + 10.54	2*TCIP + 13.96	ns
TCCS	TxOUT Channel to Channel Skew		110		ps
TPLLS	Transmitter Phase Lock Loop Set	Figure 8		1	ms
TPPD	Transmitter Power Down Delay	Figure 9 ⁽²⁾		100	ns

(1) Parameter is guaranteed by characterization and is not tested at final test.

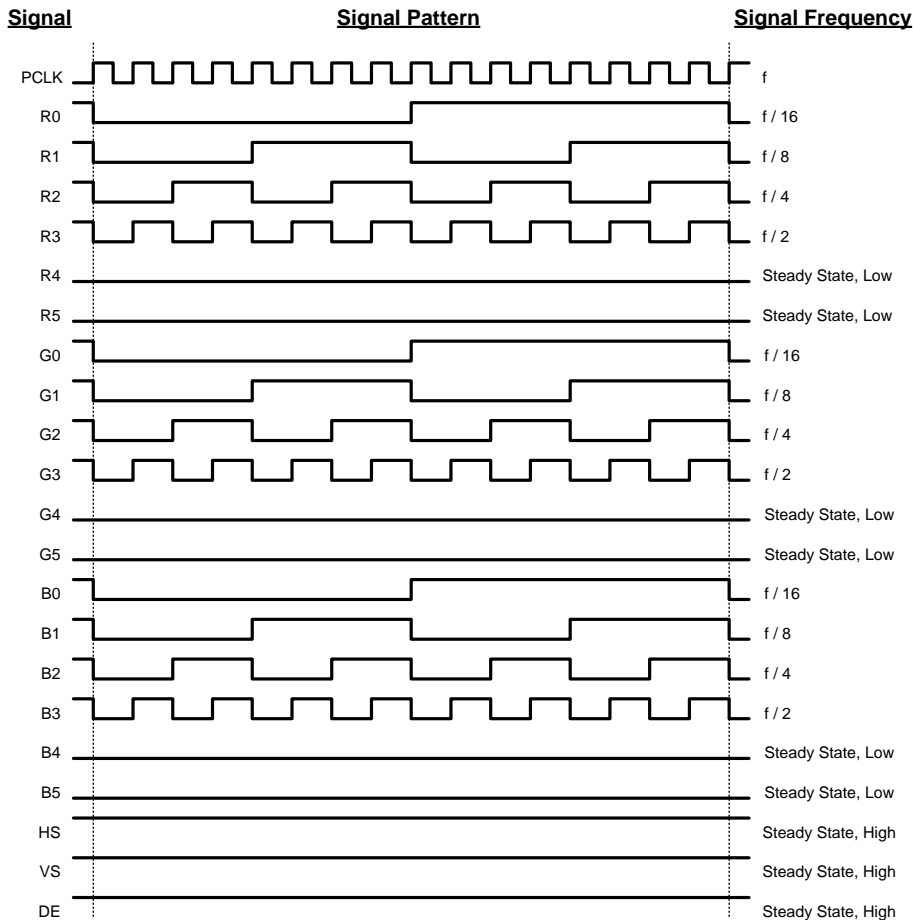
(2) Parameter is guaranteed by design and is not tested at final test.

AC Timing Diagrams



NOTE: The worst case test pattern produces a maximum toggling of digital circuits, LVDS I/O and LVCMOS I/O.

Figure 1. “Worst Case” Test Pattern



NOTE: Recommended pin to signal mapping for 18 bits per pixel, customer may choose to define differently. The 16 grayscale test pattern tests device power consumption for a “typical” LCD display pattern. The test pattern approximates signal switching needed to produce groups of 16 vertical stripes across the display.

NOTE: [Figure 1](#) and [Figure 2](#) show a falling edge data strobe (CLK).

Figure 2. “16 Grayscale” Test Pattern - DS90C185

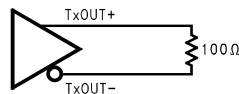


Figure 3. DS90C185 (Transmitter) LVDS Output Load

AC Timing Diagrams (continued)

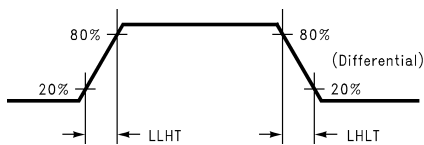


Figure 4. DS90C185 (Transmitter) LVDS Transition Times

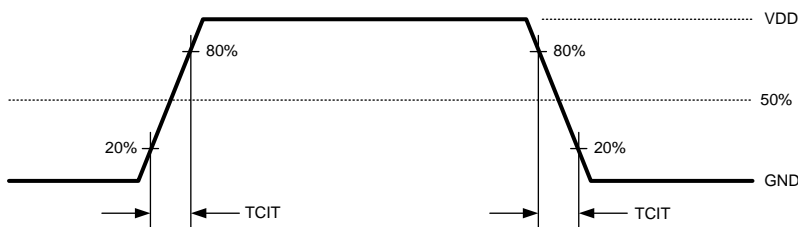


Figure 5. DS90C185 (Transmitter) Input Clock Transition Time

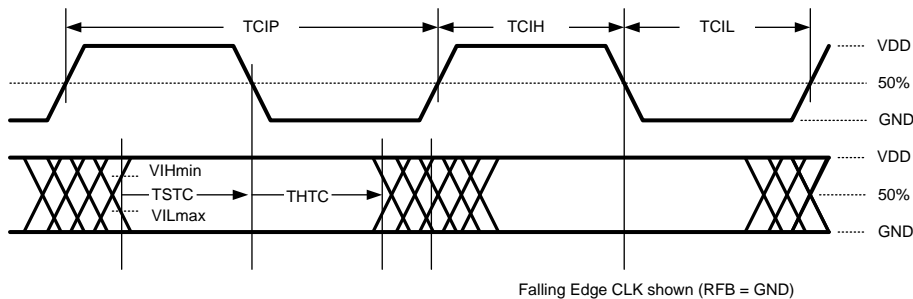


Figure 6. DS90C185 (Transmitter) Setup/Hold and High/Low Times with R_FB pin = GND (Falling Edge Strobe)

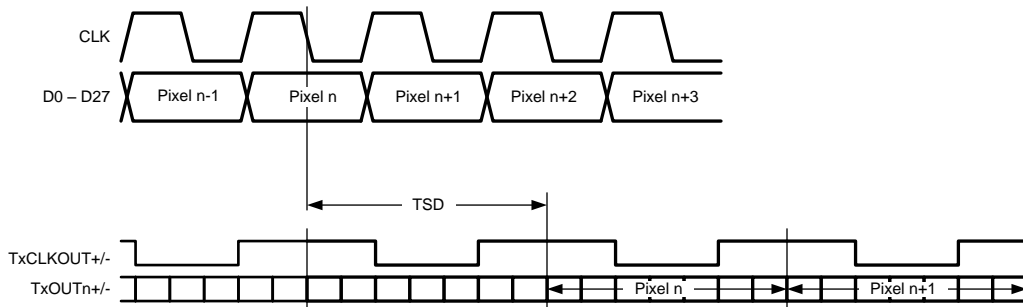


Figure 7. DS90C185 Propagation Delay

AC Timing Diagrams (continued)

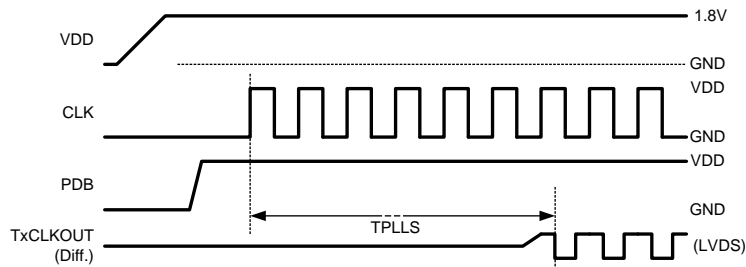


Figure 8. DS90C185 (Transmitter) Phase Lock Loop Set Time

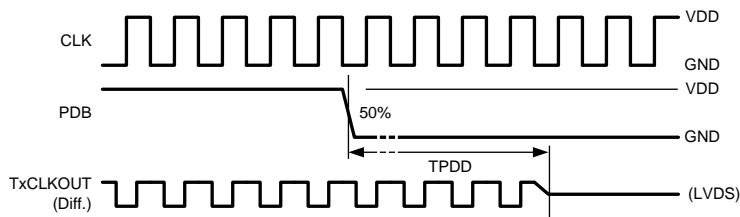


Figure 9. Transmitter Power Down Delay

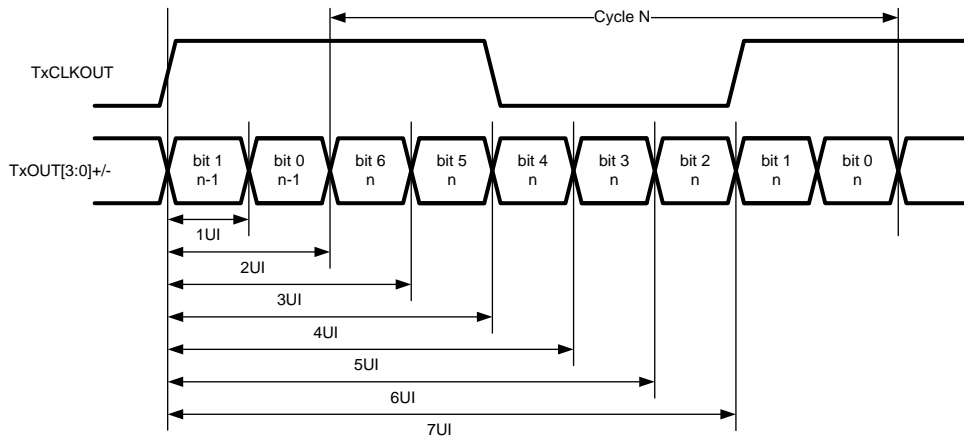


Figure 10. Transmitter LVDS Output Pulse Position Measurement - DS90C185

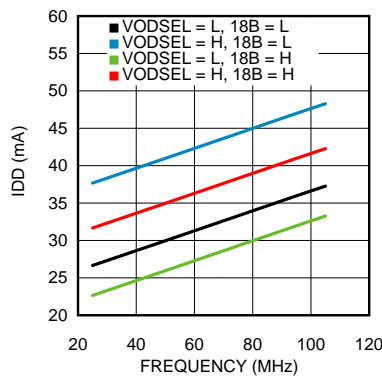


Figure 11. Typ Current Draw — PRBS-7 Data Pattern

LVDS INTERFACE, TFT COLOR DATA RECOMMENDED MAPPING

Different color mapping options exist. Check with the color mapping of the Deserializer / TCON device that is used to ensure compatible mapping for the application. The DS90C185 supports single pixel interfaces with either 24bpp or 18bpp color depths.

The DS90C185 provides four LVDS data lines along with an LVDS clock line (4D+C) for the 28 LVCMOS data inputs. The 28 bit interface typically assigns 24 bits to RGB color data, 3 bits to video control (HS, VS and DE) and one spare bit can be ignored, used for L/R signaling or function as a general purpose bit. The single pixel 24bpp 4D+C LVDS interface mapping is shown [Figure 13](#). A single pixel 18bpp mode is also supported by utilizing the 18B_MODE pin. In this configuration the TxOUT3 output channel is place in TRI-STATE® to save power. Its respective inputs are ignored. This mapping is shown in [Figure 12](#).

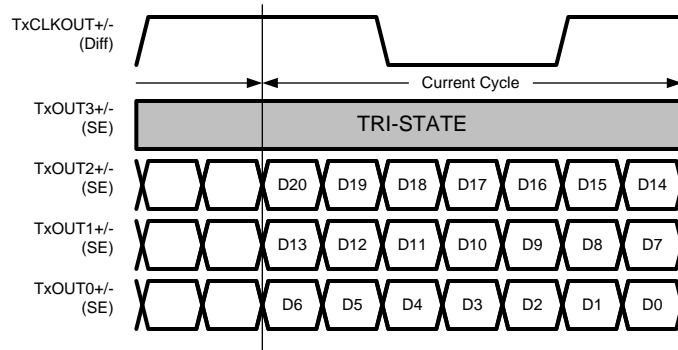


Figure 12. DS90C185 LVDS Map — 18B_MODE = H

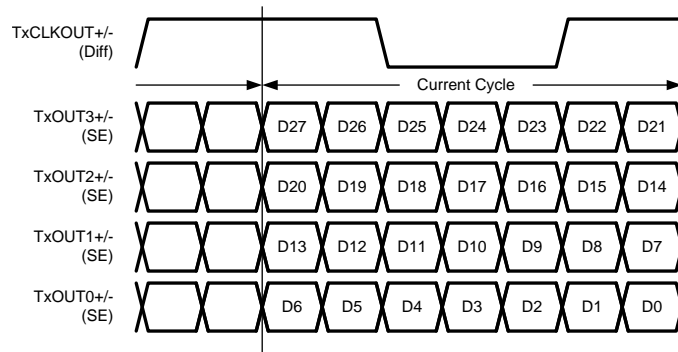


Figure 13. DS90C185 LVDS Map — 18B_MODE = L

COLOR MAPPING INFORMATION

A defacto color mapping is shown next. Different color mapping options exist. Check with the color mapping of the Deserializer / TCON device that is used to ensure compatible mapping for the application.

Table 2. 24bpp / MSB on CH3

DS90C187 Input	Color Mapping	Note
D22	R7	MSB
D21	R6	
D5	R5	
D4	R4	
D3	R3	
D2	R2	
D1	R1	
D0	R0	LSB

Table 2. 24bpp / MSB on CH3 (continued)

DS90C187 Input	Color Mapping	Note
D24	G7	MSB
D23	G6	
D11	G5	
D10	G4	
D9	G3	
D8	G2	
D7	G1	
D6	G0	LSB
D26	B7	MSB
D25	B6	
D17	B5	
D16	B4	
D15	B3	
D14	B2	
D13	B1	
D12	B0	
D20	DE	Data Enable
D19	VS	Vertical Sync
D18	HS	Horizontal Sync
D27	GP	General Purpose

Table 3. 24bpp / LSB on CH3

DS90C187 Input	Color Mapping	Note
D5	R7	MSB
D4	R6	
D3	R5	
D2	R4	
D1	R3	
D0	R2	
D22	R1	
D21	R0	LSB
D11	G7	MSB
D10	G6	
D9	G5	
D8	G4	
D7	G3	
D6	G2	
D24	G1	
D23	G0	LSB
D17	B7	MSB
D16	B6	
D15	B5	
D14	B4	
D13	B3	
D12	B2	
D26	B1	
D25	B0	

Table 3. 24bpp / LSB on CH3 (continued)

DS90C187 Input	Color Mapping	Note
D20	DE	Data Enable
D19	VS	Vertical Sync
D18	HS	Horizontal Sync
D27	GP	General Purpose

Table 4. 18bpp

DS90C187 Input	Color Mapping	Note
D5	R5	MSB
D4	R4	
D3	R3	
D2	R2	
D1	R1	
D0	R0	LSB
D11	G5	MSB
D10	G4	
D9	G3	
D8	G2	
D7	G1	
D6	G0	LSB
D17	B5	MSB
D16	B4	
D15	B3	
D14	B2	
D13	B1	
D12	B0	
D20	DE	Data Enable
D19	VS	Vertical Sync
D18	HS	Horizontal Sync

FUNCTIONAL DESCRIPTION

DS90C185 converts a wide parallel LVCMOS input bus into FPD-Link LVDS data. The device can be configured to support RGB-888 (24 bit color) or RGB-666 (18 bit color). The DS90C185 has several power saving features including: selectable VOD, 18 bit / 24 bit mode select, and a power down pin control.

In each input pixel clock cycle, data from D[27:0] is serialized and driven out on TxOUT[3:0] +/- with TxCLKOUT +/- . If 18B_MODE is LOW, then TxOUT3 +/- is powered down and the corresponding LVCMOS input signals are ignored.

The input pixel clock can range from 25 MHz to 105 MHz, resulting in a total maximum payload of 700 Mbps (28 bits * 25MHz) to 2.94 Gbps (28 bits * 105 MHz). Each LVDS driver will operate at a speed of 7 bits per input clock cycle, resulting in a serial line rate of 175 Mbps to 735 Mbps. TxCLKOUT +/- will operate at the same rate as CLK with a duty cycle ratio of 57:43.

Pixel Clock Edge Select (RFB)

The RFB pin determines the edge that the input LVCMOS data is latched on. If RFB is HIGH, input data is latched on the RISING EDGE of the pixel clock (CLK). If RFB is LOW, the input data is latched on the FALLING EDGE of the pixel clock. Note: This can be set independently of receiver's output clock strobe.

Table 5. Pixel Clock Edge

RFB	Result
0	FALLING edge
1	RISING edge

Power Management

The DS90C185 has several features to assist with managing power consumption. The 18B_MODE pin allows the DS90C185 to power down the unused LVDS driver for RGB-666 (18 bit color) applications. If no clock is applied to the CLK pin, the DS90C185 will enter a low power state. To place the DS90C185 in its lowest power state, the device can be powered down by driving the PDB pin to LOW.

Sleep Mode (PDB)

The DS90C185 provides a power down feature. When the device has been powered down, current draw through the supply pins is minimized and the PLL is shut down. The LVDS drivers are also powered down with their outputs pulled to GND through 100Ω resistors.

Table 6. Power Down Select

PDB	Result
0	SLEEP Mode (default)
1	ACTIVE (enabled)

LVDS Outputs

The DS90C185's LVDS drivers are compatible with ANSI/TIA/EIA-644–A LVDS receivers. The LVDS drivers an output a power saving low V_{OD} or a higher V_{OD} to enable longer trace and cable lengths by configuring the VODSEL pin.

Table 7. VOD Select

VODSEL	Result
0	±180 mV (360mVpp)
1	±300 mV (600mVpp)

For more information regarding the electrical characteristics of the LVDS outputs, refer to the LVDS DC Characteristics and LVDS Switching Specifications.

18 bit / 24 bit Color Mode (18B)

The 18B pin can be used to further save power by powering down the 4th LVDS driver in each used bank when the application requires only 18 bit color or 3D+C LVDS. Set the 18B pin to logic HIGH to TRI-STATE® TxOUT3 +/- . For 24 bit color applications this pin should be set to logic LOW. Note that the power down function takes priority over the TRI-STATE® function.

Table 8. Color Depth Configurations

18B_Mode	Result
0	24bpp, LVDS 4D+C
1	18bpp, LVDS 3D+C

LVC MOS Inputs

The DS90C185 has 28 data inputs. These inputs are typically used for 24 or 18 bits of RGB video with 1, 2 or 3 video control signal (HS, VS and DE) inputs and one spare bit that can be used for L/R signaling or function as a general purpose bit. All LVC MOS input pins are designed for 1.8V LVC MOS logic. All LVC MOS inputs, including clock, data and configuration pins have an internal pull down resistor to set a default state. If any LVC MOS inputs are unused, they can be left as no connect (NC) or connected to ground.

APPLICATIONS INFORMATION

Power Up Sequence

The V_{DD} power supply pins do not require a specific power on sequence and can be powered on in any order. However, the PDB pin should only be set to logic HIGH once the power sent to all supply pins is stable. Active clock and data inputs should not be applied to the DS90C185 until all of the input power pins have been powered on, settled to the recommended operating voltage and the PDB pin has been set to logic HIGH.

The user experience can be impacted by the way a system powers up and powers down an LCD screen. The following sequence is recommended:

Power up sequence (DS90C185 PDB input initially LOW):

1. Ramp up LCD power (maybe 0.5ms to 10ms) but keep backlight turned off.
2. Wait for additional 0-200ms to ensure display noise won't occur.
3. Toggle DS90C185 power down pin to PDB = V_{IH} .
4. Enable video source output; start sending black video data.
5. Send >1ms of black video data; this allows the DS90C185 to be phase locked, and the display to show black data first.
6. Start sending true image data.
7. Enable backlight.

Power Down sequence (DS90C185 PDB input initially HIGH):

1. Disable LCD backlight; wait for the minimum time specified in the LCD data sheet for the backlight to go low.
2. Video source output data switch from active video data to black image data (all visible pixel turn black); drive this for >2 frame times.
3. Set DS90C185 power down pin to PDB = GND.
4. Disable the video output of the video source.
5. Remove power from the LCD panel for lowest system power.

Power Supply Filtering

The DS90C185 has several power supply pins at 1.8V. It is important that these pins all be connected and properly bypassed. Bypassing should consist of at least one 0.1 μ F capacitor placed on each pin, with an additional 4.7 μ F to 22 μ F capacitor placed on the PLL supply pin (VDDPLL). 0.01 μ F capacitors are typically recommended for each pin. Additional filtering including ferrite beads may be necessary for noisy systems. It is recommended to place a 0 resistor at the bypass capacitors that connect to each power pin to allow for additional filtering if needed. A large bulk capacitor is recommended at the point of power entry. This is typically in the 50 μ F to 100 μ F range.

Layout Guidelines

Circuit board layout and stack-up for the LVDS serializer devices should be designed to provide low-noise power feed to the device. Good layout practice will also separate high frequency or high-level inputs and outputs to minimize unwanted stray noise pickup, feedback and interference. Power system performance may be greatly improved by using thin dielectrics (2 to 4 mils) for power / ground sandwiches. This arrangement provides plane capacitance for the PCB power system with low-inductance parasitics, which has proven especially effective at high frequencies, and makes the value and placement of external bypass capacitors less critical. This practice is easier to implement in dense pcbs with many layers and may not be practical in simpler boards. External bypass capacitors should include both RF ceramic and tantalum electrolytic types. RF capacitors may use values in the range of 0.01 uF to 0.1 uF. Tantalum capacitors may be in the 2.2 uF to 10 uF range. Voltage rating of the tantalum capacitors should be at least 5X the power supply voltage being used.

Surface mount capacitors are recommended due to their smaller parasitics. When using multiple capacitors per supply pin, locate the smaller value closer to the pin. It is recommended to connect power and ground pins directly to the power and ground planes with bypass capacitors connected to the plane with vias on both ends of the capacitor.

A small body size X7R chip capacitor, such as 0603, is recommended for external bypass. Its small body size reduces the parasitic inductance of the capacitor. The user must pay attention to the resonance frequency of these external bypass capacitors, usually in the range of 20-30 MHz. To provide effective bypassing, multiple capacitors are often used to achieve low impedance between the supply rails over the frequency of interest. At high frequency, it is also a common practice to use two vias from power and ground pins to the planes, reducing the impedance at high frequency.

Some devices provide separate power and ground pins for different portions of the circuit. This is done to isolate switching noise effects between different sections of the circuit. Separate planes on the PCB are typically not required. Pin Description tables typically provide guidance on which circuit blocks are connected to which power pin pairs. In some cases, an external filter may be used to provide clean power to sensitive circuits such as PLLs.

Use at least a four layer board with a power and ground plane. Locate LVCMOS signals away from the LVDS lines to prevent coupling from the LVCMOS lines to the LVDS lines. Closely coupled differential lines of 100 Ohms are typically recommended for LVDS interconnect. The closely coupled lines help to ensure that coupled noise will appear as common mode and thus is rejected by the receivers. The tightly coupled lines will also radiate less.

Information on the WQFN package is provided in Application Note: AN-1187 ([SNOA401](#)).

LVDS Interconnect Guidelines

See AN-1108 ([SNLA008](#)) and AN-905 ([SNLA035](#)) for full details.

- Use 100Ω coupled differential pairs
- Use differential connectors when above 500Mbps
- Minimize skew within the pair
- Use the S/2S/3S rule in spacings
 - S = space between the pairs
 - 2S = space between pairs
 - 3S = space to LVCMOS signals
- Place ground vias next to signal vias when changing between layers
- When a signal changes reference planes, place a bypass cap and vias between the new and old reference plane

For more tips and detailed suggestions regarding high speed board layout principles, please consult the LVDS Owner's Manual at: <http://www.ti.com/lvds>

REVISION HISTORY

June 08, 2012

- Fixed typo in Figure 12 for bits D14 and D15
- Fixed typo in Pin Descriptions for VODSEL. VODSEL = 0 reduced swing and VODSEL = 1 normal LVDS swing now match Functional Description explanation

February 2013

- Changed layout of National Data Sheet to TI format

PACKAGING INFORMATION

Orderable Device	Status (1)	Package Type	Package Drawing	Pins	Package Qty	Eco Plan (2)	Lead finish/ Ball material (6)	MSL Peak Temp (3)	Op Temp (°C)	Device Marking (4/5)	Samples
DS90C185SQ/NOPB	ACTIVE	WQFN	NJV	48	1000	RoHS & Green	SN	Level-1-260C-UNLIM	-10 to 70	90C185SQ	Samples
DS90C185SQE/NOPB	ACTIVE	WQFN	NJV	48	250	RoHS & Green	SN	Level-1-260C-UNLIM	-10 to 70	90C185SQ	Samples
DS90C185SQX/NOPB	ACTIVE	WQFN	NJV	48	2500	RoHS & Green	SN	Level-1-260C-UNLIM	-10 to 70	90C185SQ	Samples

(1) The marketing status values are defined as follows:

ACTIVE: Product device recommended for new designs.

LIFEBUY: TI has announced that the device will be discontinued, and a lifetime-buy period is in effect.

NRND: Not recommended for new designs. Device is in production to support existing customers, but TI does not recommend using this part in a new design.

PREVIEW: Device has been announced but is not in production. Samples may or may not be available.

OBSELETE: TI has discontinued the production of the device.

(2) **RoHS:** TI defines "RoHS" to mean semiconductor products that are compliant with the current EU RoHS requirements for all 10 RoHS substances, including the requirement that RoHS substance do not exceed 0.1% by weight in homogeneous materials. Where designed to be soldered at high temperatures, "RoHS" products are suitable for use in specified lead-free processes. TI may reference these types of products as "Pb-Free".

RoHS Exempt: TI defines "RoHS Exempt" to mean products that contain lead but are compliant with EU RoHS pursuant to a specific EU RoHS exemption.

Green: TI defines "Green" to mean the content of Chlorine (Cl) and Bromine (Br) based flame retardants meet JS709B low halogen requirements of <=1000ppm threshold. Antimony trioxide based flame retardants must also meet the <=1000ppm threshold requirement.

(3) MSL, Peak Temp. - The Moisture Sensitivity Level rating according to the JEDEC industry standard classifications, and peak solder temperature.

(4) There may be additional marking, which relates to the logo, the lot trace code information, or the environmental category on the device.

(5) Multiple Device Markings will be inside parentheses. Only one Device Marking contained in parentheses and separated by a "~" will appear on a device. If a line is indented then it is a continuation of the previous line and the two combined represent the entire Device Marking for that device.

(6) Lead finish/Ball material - Orderable Devices may have multiple material finish options. Finish options are separated by a vertical ruled line. Lead finish/Ball material values may wrap to two lines if the finish value exceeds the maximum column width.

Important Information and Disclaimer:The information provided on this page represents TI's knowledge and belief as of the date that it is provided. TI bases its knowledge and belief on information provided by third parties, and makes no representation or warranty as to the accuracy of such information. Efforts are underway to better integrate information from third parties. TI has taken and continues to take reasonable steps to provide representative and accurate information but may not have conducted destructive testing or chemical analysis on incoming materials and chemicals. TI and TI suppliers consider certain information to be proprietary, and thus CAS numbers and other limited information may not be available for release.

In no event shall TI's liability arising out of such information exceed the total purchase price of the TI part(s) at issue in this document sold by TI to Customer on an annual basis.

TAPE AND REEL INFORMATION

QUADRANT ASSIGNMENTS FOR PIN 1 ORIENTATION IN TAPE


*All dimensions are nominal

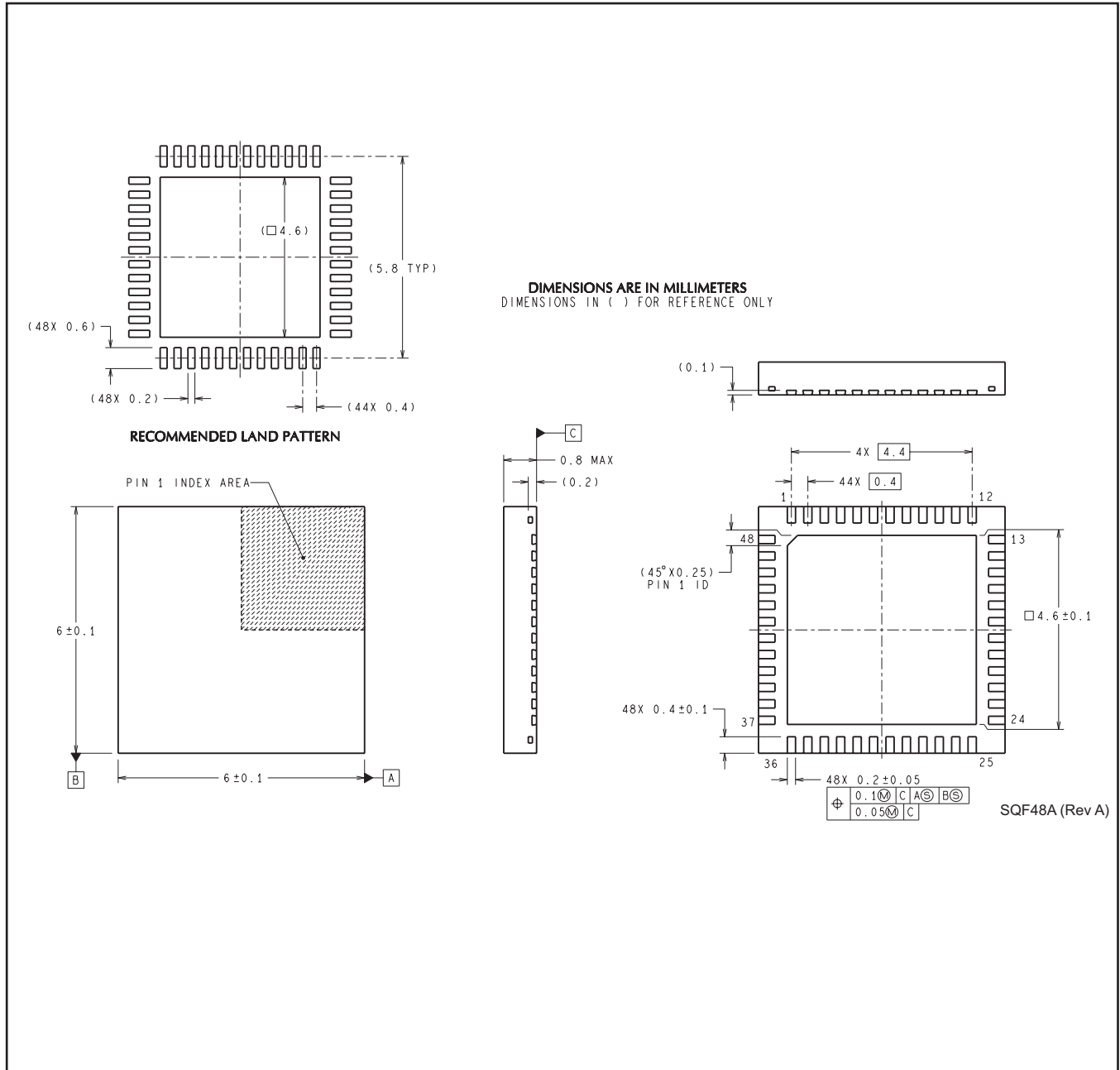
Device	Package Type	Package Drawing	Pins	SPQ	Reel Diameter (mm)	Reel Width W1 (mm)	A0 (mm)	B0 (mm)	K0 (mm)	P1 (mm)	W (mm)	Pin1 Quadrant
DS90C185SQ/NOPB	WQFN	NJV	48	1000	330.0	16.4	6.3	6.3	1.5	12.0	16.0	Q1
DS90C185SQE/NOPB	WQFN	NJV	48	250	178.0	16.4	6.3	6.3	1.5	12.0	16.0	Q1
DS90C185SQX/NOPB	WQFN	NJV	48	2500	330.0	16.4	6.3	6.3	1.5	12.0	16.0	Q1

TAPE AND REEL BOX DIMENSIONS


*All dimensions are nominal

Device	Package Type	Package Drawing	Pins	SPQ	Length (mm)	Width (mm)	Height (mm)
DS90C185SQ/NOPB	WQFN	NJV	48	1000	367.0	367.0	35.0
DS90C185SQE/NOPB	WQFN	NJV	48	250	210.0	185.0	35.0
DS90C185SQX/NOPB	WQFN	NJV	48	2500	367.0	367.0	35.0

NJV0048A



IMPORTANT NOTICE AND DISCLAIMER

TI PROVIDES TECHNICAL AND RELIABILITY DATA (INCLUDING DATA SHEETS), DESIGN RESOURCES (INCLUDING REFERENCE DESIGNS), APPLICATION OR OTHER DESIGN ADVICE, WEB TOOLS, SAFETY INFORMATION, AND OTHER RESOURCES "AS IS" AND WITH ALL FAULTS, AND DISCLAIMS ALL WARRANTIES, EXPRESS AND IMPLIED, INCLUDING WITHOUT LIMITATION ANY IMPLIED WARRANTIES OF MERCHANTABILITY, FITNESS FOR A PARTICULAR PURPOSE OR NON-INFRINGEMENT OF THIRD PARTY INTELLECTUAL PROPERTY RIGHTS.

These resources are intended for skilled developers designing with TI products. You are solely responsible for (1) selecting the appropriate TI products for your application, (2) designing, validating and testing your application, and (3) ensuring your application meets applicable standards, and any other safety, security, regulatory or other requirements.

These resources are subject to change without notice. TI grants you permission to use these resources only for development of an application that uses the TI products described in the resource. Other reproduction and display of these resources is prohibited. No license is granted to any other TI intellectual property right or to any third party intellectual property right. TI disclaims responsibility for, and you will fully indemnify TI and its representatives against, any claims, damages, costs, losses, and liabilities arising out of your use of these resources.

TI's products are provided subject to [TI's Terms of Sale](#) or other applicable terms available either on [ti.com](https://www.ti.com) or provided in conjunction with such TI products. TI's provision of these resources does not expand or otherwise alter TI's applicable warranties or warranty disclaimers for TI products.

TI objects to and rejects any additional or different terms you may have proposed.

Mailing Address: Texas Instruments, Post Office Box 655303, Dallas, Texas 75265
Copyright © 2024, Texas Instruments Incorporated