

DUAL 10-A OUTPUTS, 4.75-V to 14-V INPUT, NON-ISOLATED, DIGITAL POWERTRAIN™ MODULE

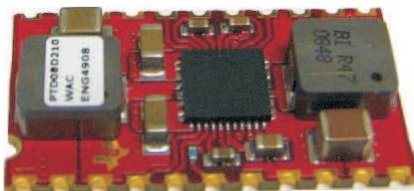
Check for Samples: [PTD08D210W](#)

FEATURES

- Dual 10-A Outputs
- 4.75-V to 14-V Input Voltage
- Programmable Wide-Output Voltage (0.7 V to 3.6 V)
- Efficiencies up to 96%
- Digital I/O
 - PWM signal
 - Fault Flag (FF)
 - Synchronous Rectifier Enable (SRE)
- Analog I/O
 - Temperature
 - Output current
- Safety Agency Approvals: (Pending)
 - UL/IEC/CSA-C22.2 60950-1
- Operating Temperature: –40°C to 85°C

APPLICATIONS

- Digital Power Systems using UCD9XXX Digital Controllers



DESCRIPTION

The PTD08D210W is a high-performance dual 10-A output, non-isolated digital PowerTrain module. This module is the power conversion section of a digital power system which incorporates TI's UCD7242 MOSFET/driver IC. The PTD08D210W must be used in conjunction with a digital power controller such as the UCD9240, UCD9220 or UCD9110 family. The PTD08D210W receives control signals from the digital controller and provides parametric and status information back to the digital controller. Together, PowerTrain modules and a digital power controller form a sophisticated, robust, and easily configured power management solution.

Operating from an input voltage range of 4.75 V to 14 V, the PTD08D210W provides step-down power conversion to a wide range of output voltages from, 0.7 V to 3.6 V. The wide input voltage range makes the PTD08D210W particularly suitable for advanced computing and server applications that utilize a loosely regulated 8-V, 9.6-V or 12-V intermediate distribution bus. Additionally, the wide input voltage range increases design flexibility by supporting operation with tightly regulated 5-V or 12-V intermediate bus architectures.

The module incorporates output over-current and temperature monitoring which protects against most load faults. Output current and module temperature signals are provided for the digital controller to permit user defined over-current and over-temperature warning and fault scenarios.

The module uses single-sided, pin-less surface mount construction to provide a low profile and compact footprint. The package is lead (Pb) - free and RoHS compatible.



Please be aware that an important notice concerning availability, standard warranty, and use in critical applications of Texas Instruments semiconductor products and disclaimers thereto appears at the end of this data sheet.

POWERTRAIN is a trademark of Texas Instruments.

PRODUCTION DATA information is current as of publication date. Products conform to specifications per the terms of the Texas Instruments standard warranty. Production processing does not necessarily include testing of all parameters.

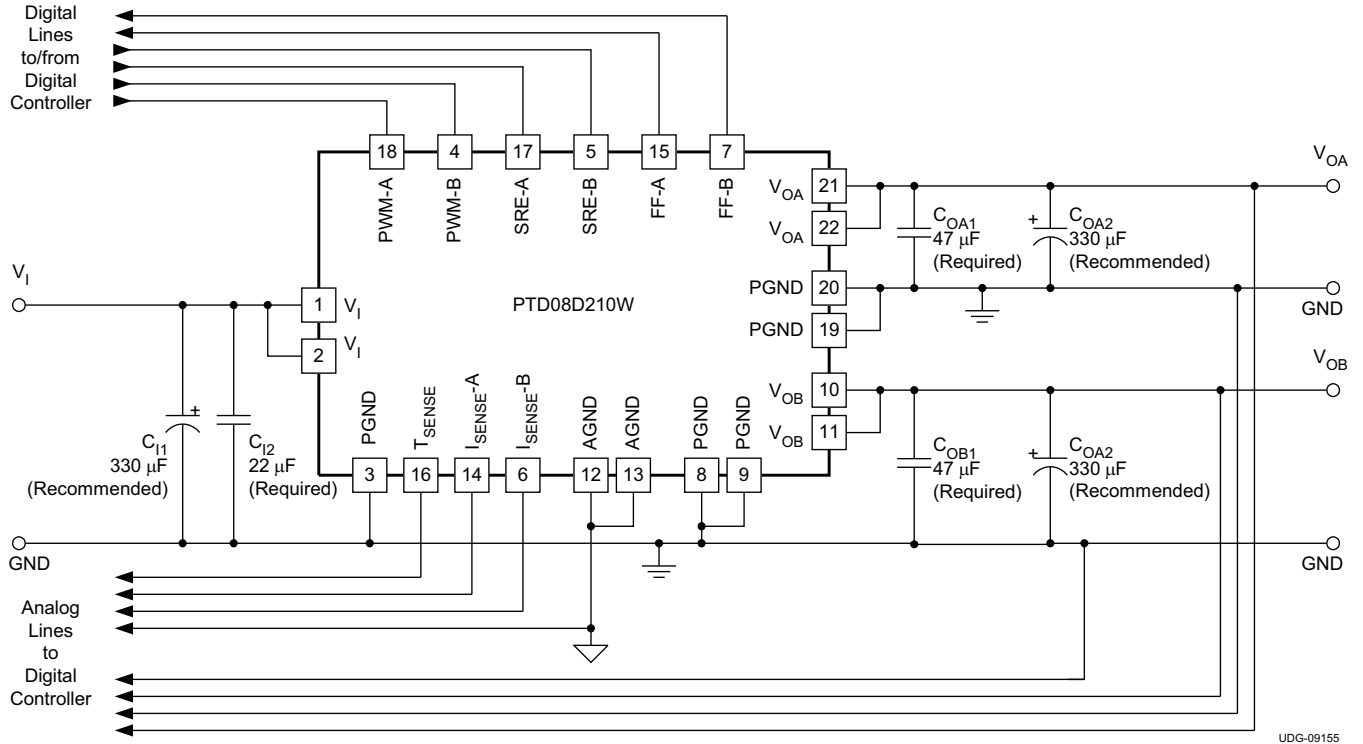
Copyright © 2009–2010, Texas Instruments Incorporated



This integrated circuit can be damaged by ESD. Texas Instruments recommends that all integrated circuits be handled with appropriate precautions. Failure to observe proper handling and installation procedures can cause damage.

ESD damage can range from subtle performance degradation to complete device failure. Precision integrated circuits may be more susceptible to damage because very small parametric changes could cause the device not to meet its published specifications.

Standard PTD08D210W Application



UDG-09155

ORDERING INFORMATION

For the most current package and ordering information, see the Package Option Addendum at the end of this datasheet, or see the TI website at www.ti.com.

DATASHEET TABLE OF CONTENTS

DATASHEET SECTION	PAGE NUMBER
ENVIRONMENTAL AND ABSOLUTE MAXIMUM RATINGS	3
ELECTRICAL CHARACTERISTICS TABLE	4
TERMINAL FUNCTIONS	5
TYPICAL CHARACTERISTICS ($V_I = 12V$)	6
TYPICAL CHARACTERISTICS ($V_I = 5V$)	8
TYPICAL APPLICATION SCHEMATIC	10
GRAPHICAL USER INTERFACE VALUES	11
TAPE & REEL AND TRAY DRAWINGS	12

ENVIRONMENTAL AND ABSOLUTE MAXIMUM RATINGS

(Voltages are with respect to GND)

			UNIT	
V_I	Input voltage		16	V
T_A	Operating temperature range	Over V_I range	-40 to 85	°C
T_{reflow}	Solder reflow temperature	Surface temperature of module body	260 ⁽¹⁾	
T_{stg}	Storage temperature		-55 to 125 ⁽²⁾	
	Mechanical shock	Per Mil-STD-883D, Method 2002.3, 1 msec, 1/2 sine, mounted	275	G
	Mechanical vibration	Mil-STD-883D, Method 2007.2, 20-2000 Hz	10	
	Weight		3.9	grams
MTBF	Reliability	Per Telcordia SR-332, 50% stress, $T_A = 40^\circ\text{C}$, ground benign	13.3	10 ⁶ Hr
	Flammability	Meets UL94V-O		

(1) During reflow do not elevate peak temperature of the module or internal components above the stated maximum.

(2) The shipping tray or tape and reel cannot be used to bake parts at temperatures higher than 65°C.

ELECTRICAL CHARACTERISTICS

PTD08D210W

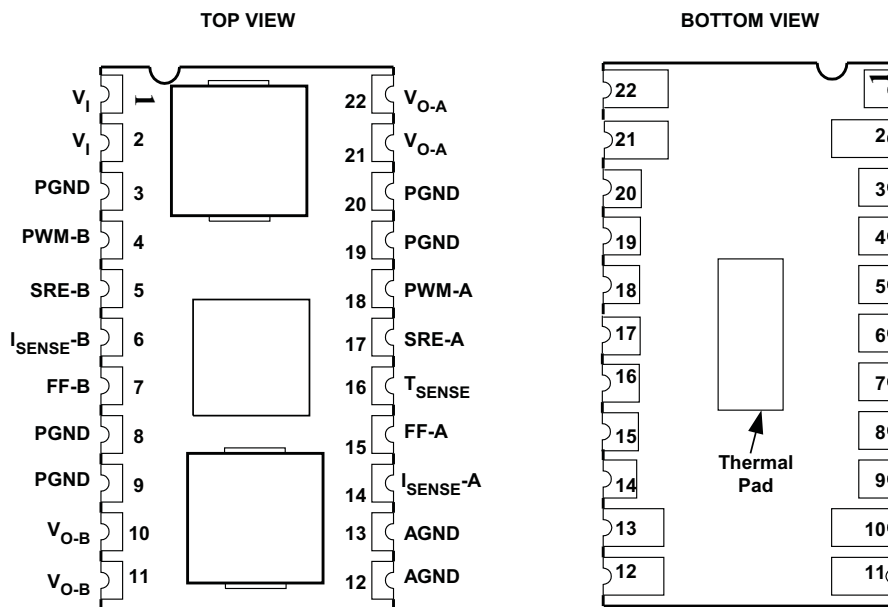
$T_A = 25^\circ\text{C}$, $F_{\text{SW}} = 750\text{kHz}$, $V_I = 12\text{V}$, $V_O = 1.2\text{V}$, $C_{I1} = 330\ \mu\text{F}$, $C_{I2} = 22\ \mu\text{F}$ ceramic, $C_{O1} = 47\ \mu\text{F}$ ceramic, $C_{O2} = 330\ \mu\text{F}$, $I_O = I_{O(\text{max})}$, single output (unless otherwise stated)

PARAMETER	TEST CONDITIONS	PTD08D210W			UNIT
		MIN	TYP	MAX	
I_O Output current	Over V_O range 25°C , natural convection	0		10	A
V_I Input voltage range	Over I_O range	4.75		14	V
V_{OAdj} Output voltage adjust range	Over I_O range	0.7		3.6 ⁽¹⁾	V
η Efficiency	$I_O = 10\text{A}$, $f_s = 750\text{kHz}$	$V_O = 3.3\text{V}$		92.8%	
		$V_O = 2.5\text{V}$		91.4%	
		$V_O = 1.8\text{V}$		89.1%	
		$V_O = 1.5\text{V}$		87.7%	
		$V_O = 1.2\text{V}$		85.6%	
				84.0%	
V_{OPP} V_O Ripple (peak-to-peak)	20-MHz bandwidth		11		mV _{PP}
I_B Bias current	PWM & SRE to AGND Standby		6		mA
V_{IH} High-level input voltage	SRE & PWM input levels	2.0		5.5	V
V_{IL} Low-level input voltage				0.8	
PWM input	Frequency range	500 ⁽¹⁾		1000	kHz
	Pulse width limits	20			ns
TEMP output	Range	-40		125	$^\circ\text{C}$
	Accuracy, $-40^\circ\text{C} \leq T_A \leq 85^\circ\text{C}$	-5		5	$^\circ\text{C}$
	Slope		10		mV/ $^\circ\text{C}$
	Offset, $T_A = 25^\circ\text{C}$		720		mV
V_{OH}	High-level output voltage, $I_{\text{FAULT}} = 4\text{mA}$	2.7	3.3		V
V_{OL}	Low-level output voltage, $I_{\text{FAULT}} = 4\text{mA}$		0	0.6	
I_{LIM}	Overcurrent threshold; Reset, followed by auto-recovery		15 ⁽²⁾		A
IOUT output	Range	0.15		3.5	V
	Gain, $3\text{A} \leq I_O \leq 10\text{A}$	188	200	212	mV/A
	Offset, $I_O = 0\text{A}$, $V_O = 1.2\text{V}$	0	0.3	0.76	V
	Output Impedance		10		k Ω
C_I External input capacitance	Nonceramic		330 ⁽³⁾		μF
	Ceramic	22 ⁽³⁾			
C_O External output capacitance	Capacitance Value	Nonceramic	330 ⁽⁴⁾	5000 ⁽⁵⁾	μF
		Ceramic	47 ⁽⁴⁾		
	Equivalent series resistance (non-ceramic)		1 ⁽⁶⁾		

- (1) When operating at 12V input and 500kHz, V_O is limited to $\leq 2.0\text{V}$.
- (2) The current limit threshold is the sum of I_O and the peak inductor ripple current.
- (3) A 22 μF ceramic input capacitor is required for proper operation. An additional 330 μF bulk capacitor rated for a minimum of 500mA rms of ripple current is recommended. When operating at frequencies $> 500\text{kHz}$ the 22 μF ceramic capacitor is only recommended. Refer to the UCD9240 controller datasheet and user interface for application specific capacitor specifications.
- (4) A 47 μF ceramic output capacitor is required for basic operation. An additional 330 μF bulk capacitor is recommended for improved transient response. Refer to the UCD9240 controller datasheet and user interface for application specific capacitor specifications.
- (5) 5,000 μF is the calculated maximum output capacitance given a 1V/msec output voltage rise time. Additional capacitance or increasing the output voltage rise rate may trigger the overcurrent threshold at start-up. Refer to the UCD9240 controller datasheet and user interface for application specific capacitor specifications.
- (6) This is the minimum ESR for all non-ceramic output capacitance. Refer to the UCD9240 controller datasheet and user interface for application specific capacitor specifications.

TERMINAL FUNCTIONS

TERMINAL		DESCRIPTION
NAME	NO.	
V _I	1, 2	The positive input voltage power node to the module, which is referenced to common GND.
PGND	3, 8, 9, 19, 20	The common ground connection for the V _I and V _O power connections.
V _{OA}	21, 22	The regulated positive power A output with respect to GND.
V _{OB}	10, 11	The regulated positive power B output with respect to GND.
I _{SENSE-A}	14	Current sense A output. The voltage level on this pin represents the average output current of the module.
I _{SENSE-B}	6	Current sense B output. The voltage level on this pin represents the average output current of the module.
PWM-A	18	This is the PWM A input pin. It is a high impedance digital input that accepts 3.3-V or 5-V logic level signals up to 1 MHz.
PWM-B	4	This is the PWM B input pin. It is a high impedance digital input that accepts 3.3-V or 5-V logic level signals up to 1 MHz.
FF-A	15	Current limit fault flag A. The Fault signal is a 3.3-V digital output which is latched high after an over-current condition. The Fault is reset after a complete PWM cycle without an over-current condition (falling edge of the PWM).
FF-B	7	Current limit fault flag A. The Fault signal is a 3.3-V digital output which is latched high after an over-current condition. The Fault is reset after a complete PWM cycle without an over-current condition (falling edge of the PWM).
SRE-A	17	Synchronous Rectifier Enable A. This pin is a high impedance digital input. A 3.3 V or 5 V logic level signals is used to enable the synchronous rectifier switch. When this signal is high, the module will source and sink output current. When this signal is low, the module will only source current.
SRE-B	5	Synchronous Rectifier Enable B. This pin is a high impedance digital input. A 3.3 V or 5 V logic level signals is used to enable the synchronous rectifier switch. When this signal is high, the module will source and sink output current. When this signal is low, the module will only source current.
AGND	12, 13	Analog ground return. It is the 0 V _{dc} reference for the control inputs.
T _{SENSE}	16	Temperature sense output. The voltage level on this pin represents the temperature of the module.
Thermal Pad		This pad is electrically connected to PGND and is the primary thermal conduction cooling path for the module. This pad should be soldered to a grounded copper pad on the host board. For optimum cooling performance, the grounded copper pad should also be tied with multiple vias to the host board internal ground plane. See the Land Pattern drawing for package EFS for recommended pad dimensions.



TYPICAL CHARACTERISTICS ($V_I = 12\text{ V}$)
(1)(2)

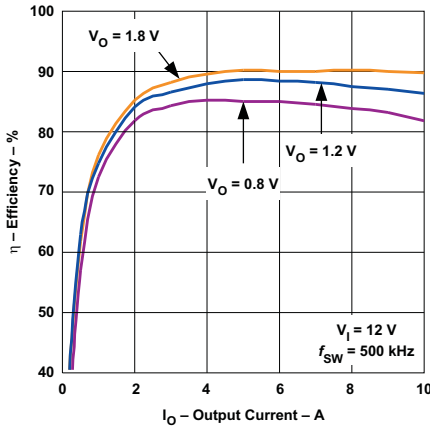


Figure 1. Efficiency

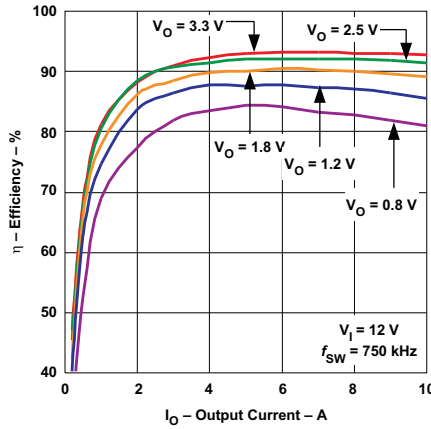


Figure 2. Efficiency

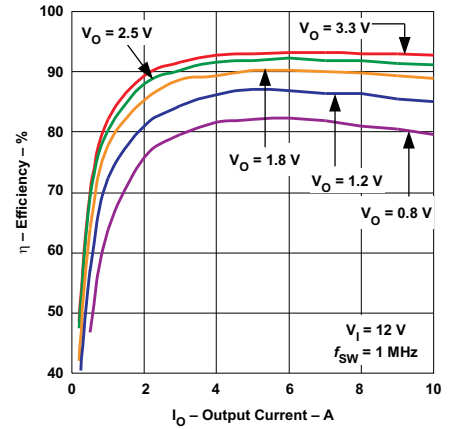


Figure 3. Efficiency

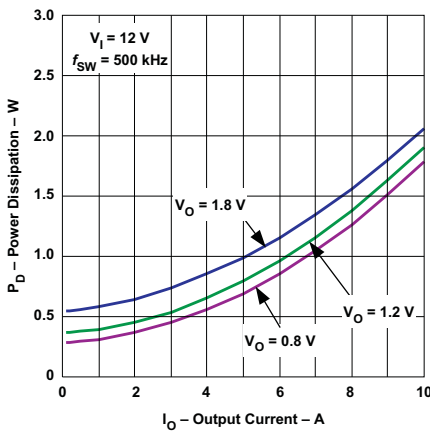


Figure 4. Power Dissipation

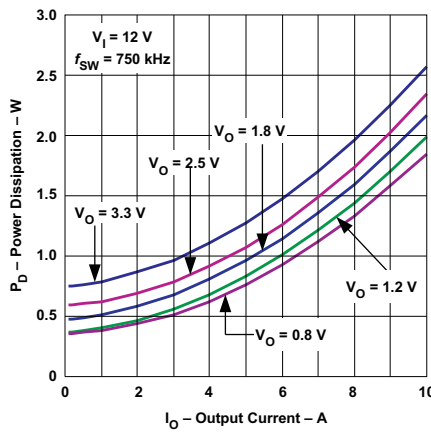


Figure 5. Power Dissipation

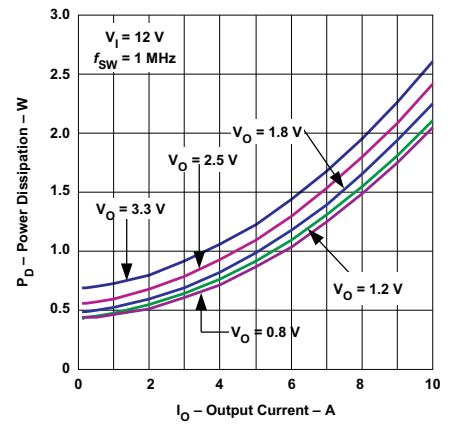


Figure 6. Power Dissipation

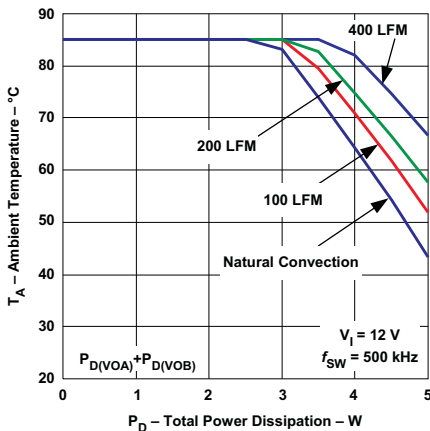


Figure 7. Safe Operating Area

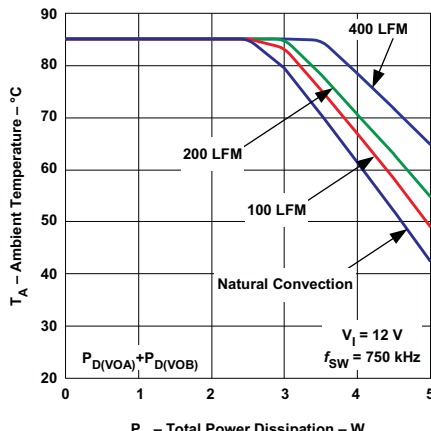


Figure 8. Safe Operating Area

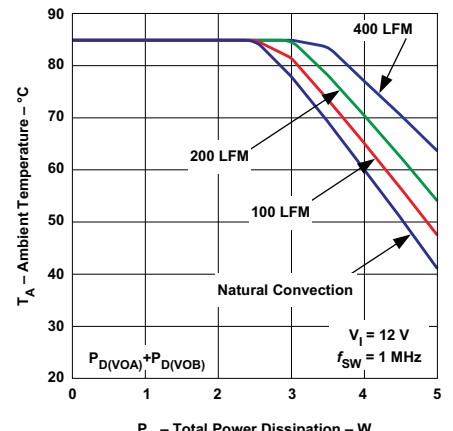


Figure 9. Safe Operating Area

- (1) The electrical characteristic data (Figure 1 through Figure 6) has been developed from actual products tested at 25°C. This data is considered typical for the converter.
- (2) The temperature derating curves (Figure 7 through Figure 9) represent the conditions at which internal components are at or below the manufacturer's maximum operating temperatures. Derating limits apply to modules soldered directly to a 100-mm x 100-mm, double-sided PCB with 2-oz. copper. See the Safe Operating Area application section of this datasheet.

TYPICAL CHARACTERISTICS ($V_I = 5\text{ V}$)
(1)(2)

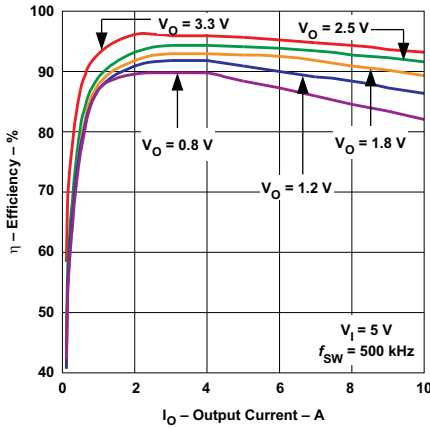


Figure 10. Efficiency

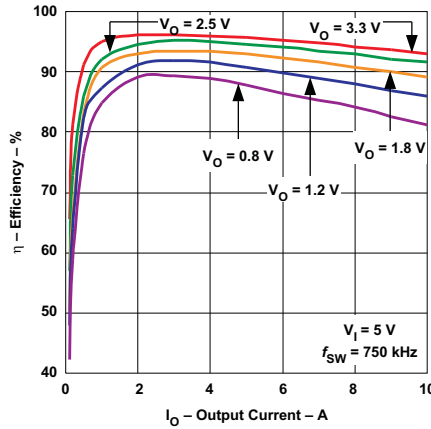


Figure 11. Efficiency

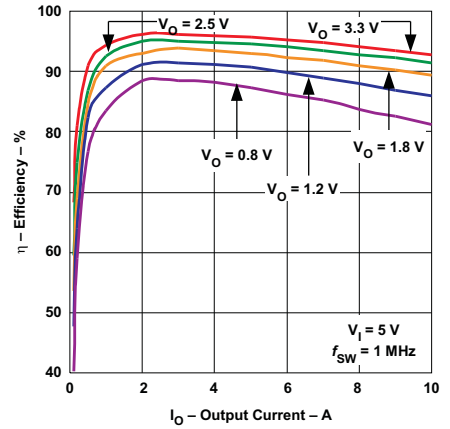


Figure 12. Efficiency

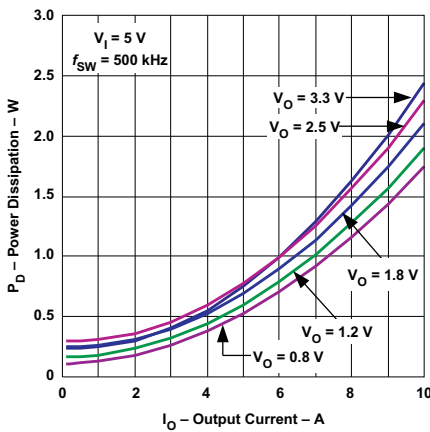


Figure 13. Power Dissipation

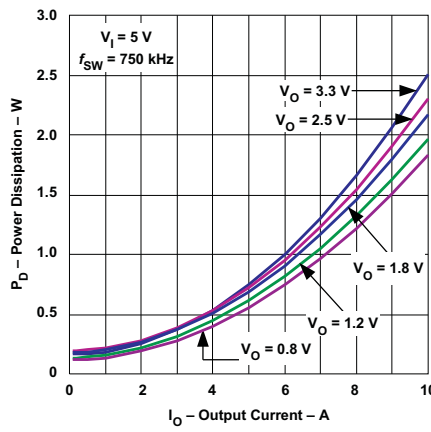


Figure 14. Power Dissipation

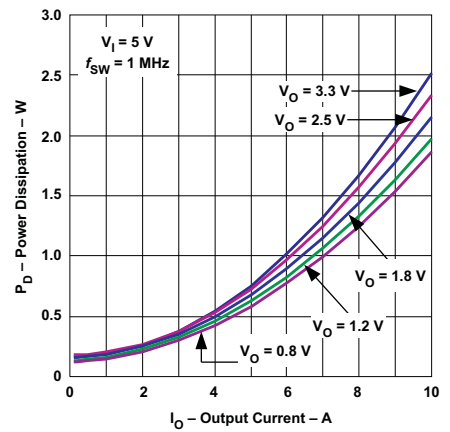


Figure 15. Power Dissipation

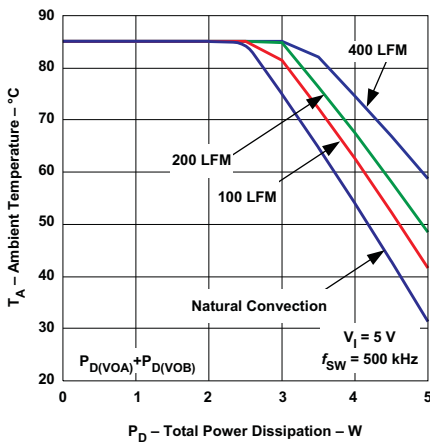


Figure 16. Safe Operating Area

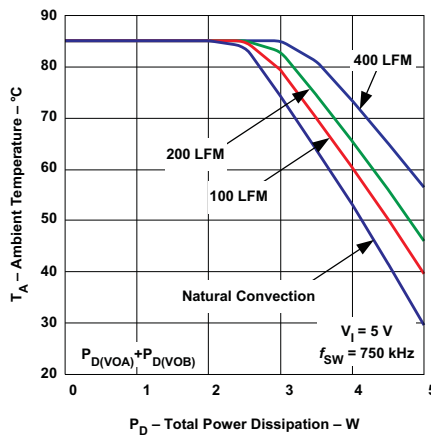


Figure 17. Safe Operating Area

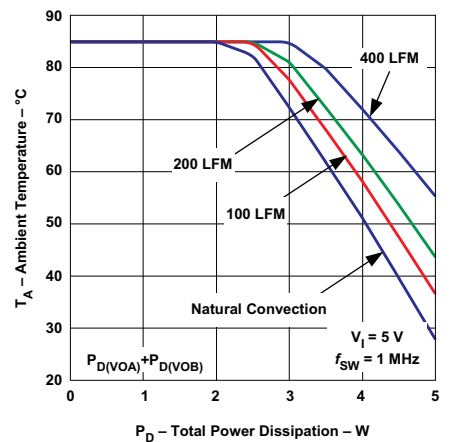


Figure 18. Safe Operating Area

- (1) The electrical characteristic data (Figure 10 through Figure 15) has been developed from actual products tested at 25°C. This data is considered typical for the converter.
- (2) The temperature derating curves (Figure 16 through Figure 18) represent the conditions at which internal components are at or below the manufacturer's maximum operating temperatures. Derating limits apply to modules soldered directly to a 100-mm x 100-mm, double-sided PCB with 2-oz. copper. See the Safe Operating Area application section of this datasheet.

TYPICAL CHARACTERISTICS

**CURRENT SENSE OUTPUT
VS
OUTPUT CURRENT**

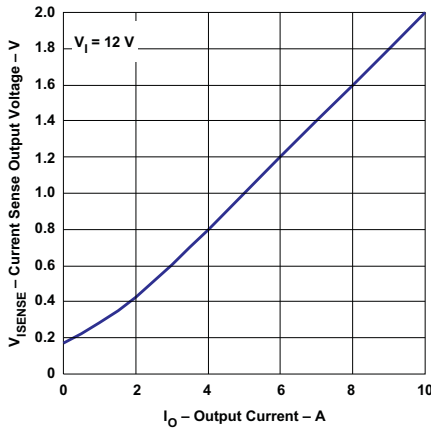


Figure 19.

**CURRENT SENSE OUTPUT
VS
OUTPUT CURRENT**

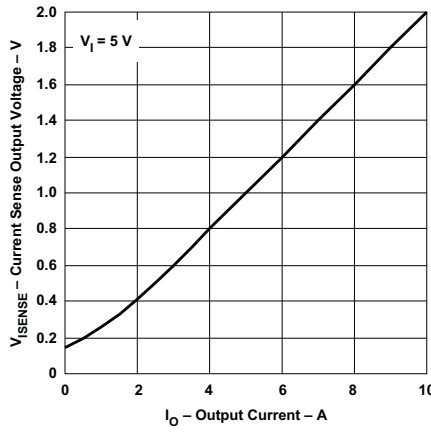


Figure 20.

**TEMPERATURE SENSE
VS
JUNCTION TEMPERATURE**

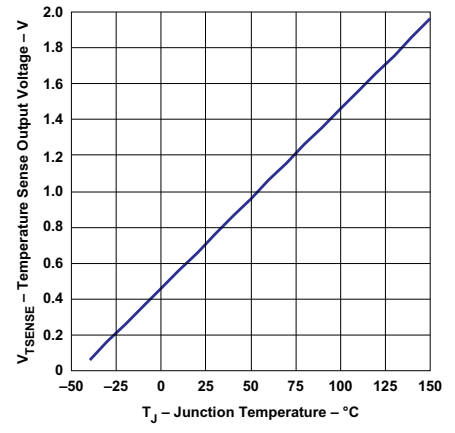
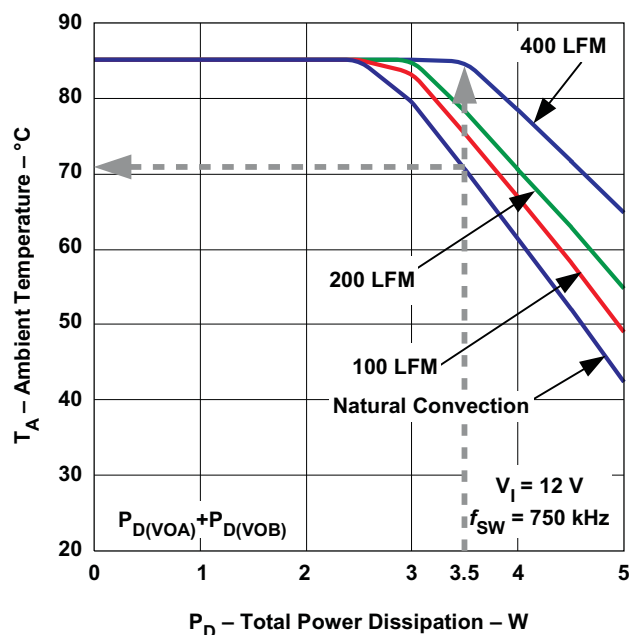
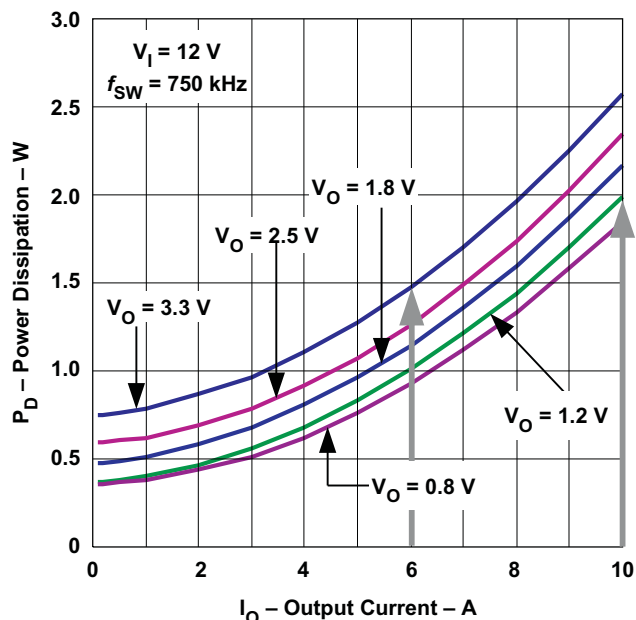


Figure 21.

APPLICATION INFORMATION

Determining the Safe Operating Area



The Safe Operating Area (SOA) curves for the PTD08D210W are determined by the total power dissipation of the module, the maximum ambient temperature, and the minimum available airflow of the application. Operation below the application airflow curve is considered a thermally safe design. For a given SOA, refer to the Power Dissipation curves for the same input voltage and switching frequency to determine each output's power dissipation. Add the power dissipation of V_{OA} and V_{OB} to get the total power dissipation. The total power dissipation can then be used to determine the safe operating area for the application.

For example, consider an application operating from a 12-V input and a 750-kHz switching frequency, requiring 1.2 V @ 10 A and 3.3 V @ 6 A outputs. In order to determine the safe operating area the power dissipation for each of the outputs must first be determined. Using the $V_I = 12\text{ V}$, $f_{SW} = 750\text{ kHz}$ Power Dissipation graph, the power dissipation for the 1.2 V @ 10 A output is 2 W and the power dissipation for the 3.3 V @ 6 A output is 1.5 W. Adding the power dissipation for both outputs results in a total power dissipation of 3.5 W. The safe operating area can then be determined using the $V_I = 12\text{ V}$, $f_{SW} = 750\text{ kHz}$ SOA graph, the amount of airflow of the application and the 3.5-W total power dissipation. At 3.5 W and 400 LFM, the application can operate up to 85°C, but when no airflow is available the maximum ambient temperature is limited to less than 71°C.

NOTE

- Graphs above have been replicated from the *Typical Characteristics* section for this example
- The maximum output current for either output must not exceed 10 A.

Digital Power

Figure 22 shows the UCD9220 power supply controller working with a single PTD08D210W, dual-output module regulating two independent power supplies. The loop for each power supply is created by the respective voltage outputs feeding into the Error ADC differential inputs, and completed by DPWM outputs feeding the PTD08D210W module.

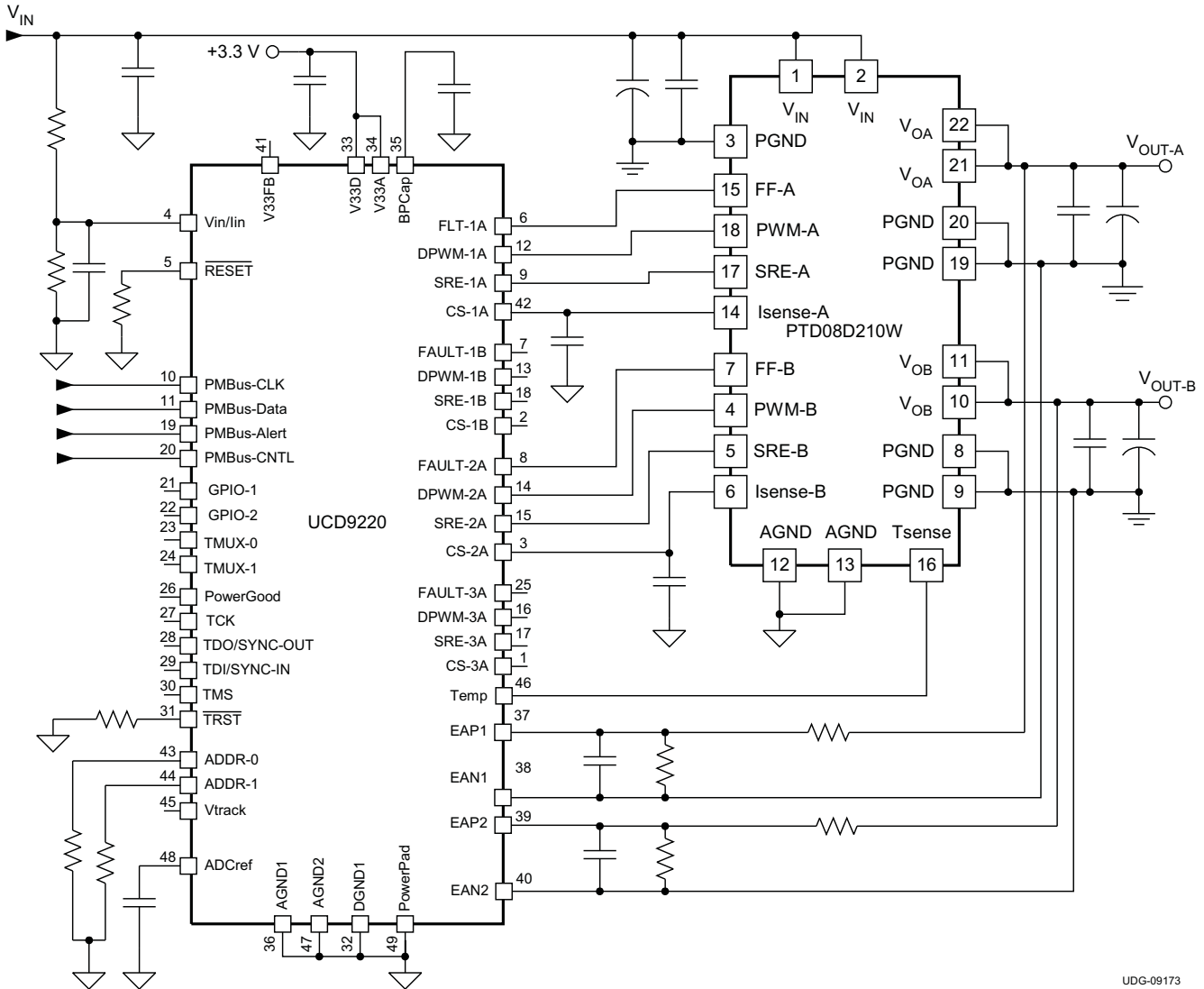


Figure 22. Typical Dual-Output Application Schematic

Note: A low dropout linear regulator such as the TI TPS715A33 can provide the 3.3-V bias power to the UCD9220.

Figure 23 shows the UCD9220 power supply controller working with a single PTD08D210W power module. The dual outputs of the PTD08D210W have been paralleled, allowing up to 20A of output current. When operating the PTD08D210W in parallel configuration the dual inputs must be tied together and driven from a single output of the digital power controller. **Multiple PTD08D210W modules must not be paralleled.**

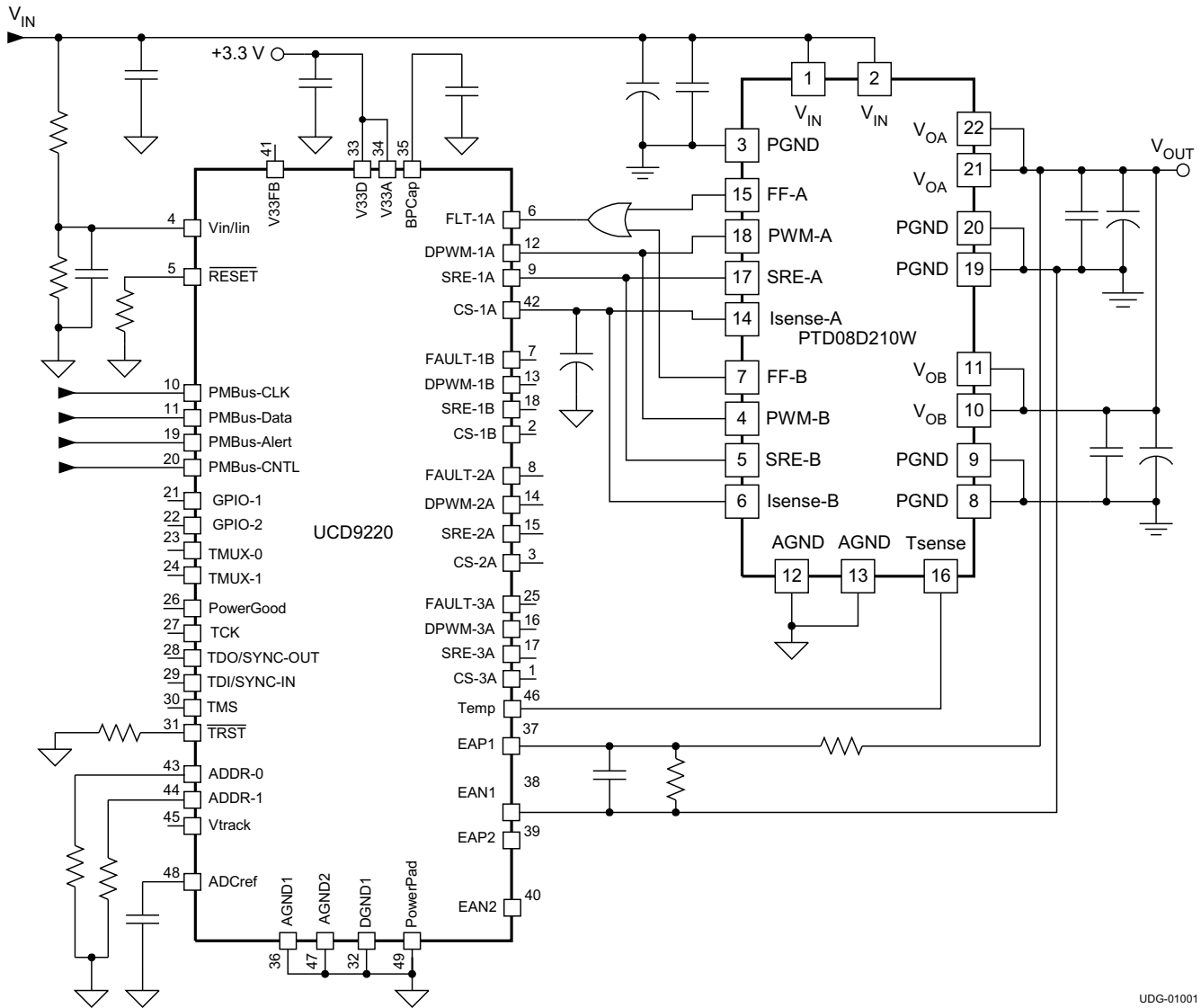


Figure 23. Typical Paralleled-Output Application Schematic

Note 1: A low dropout linear regulator such as the TI TPS715A33 can provide the 3.3-V bias power to the UCD9220.

Note 2: An OR-gate such as the TI 74LVC1G32 should be used to sense a fault signal on either FF-A or FF-B.

UCD9240 Graphical User Interface (GUI)

When using the UCD92x0 digital controller along with digital PowerTrain modules to design a digital power system, several internal parameters of the modules are required to run the Fusion Digital Power Designer GUI. See the plant parameters below for the PTD08D210W digital PowerTrain modules.

Table 1. PTD08D210W Plant Parameters

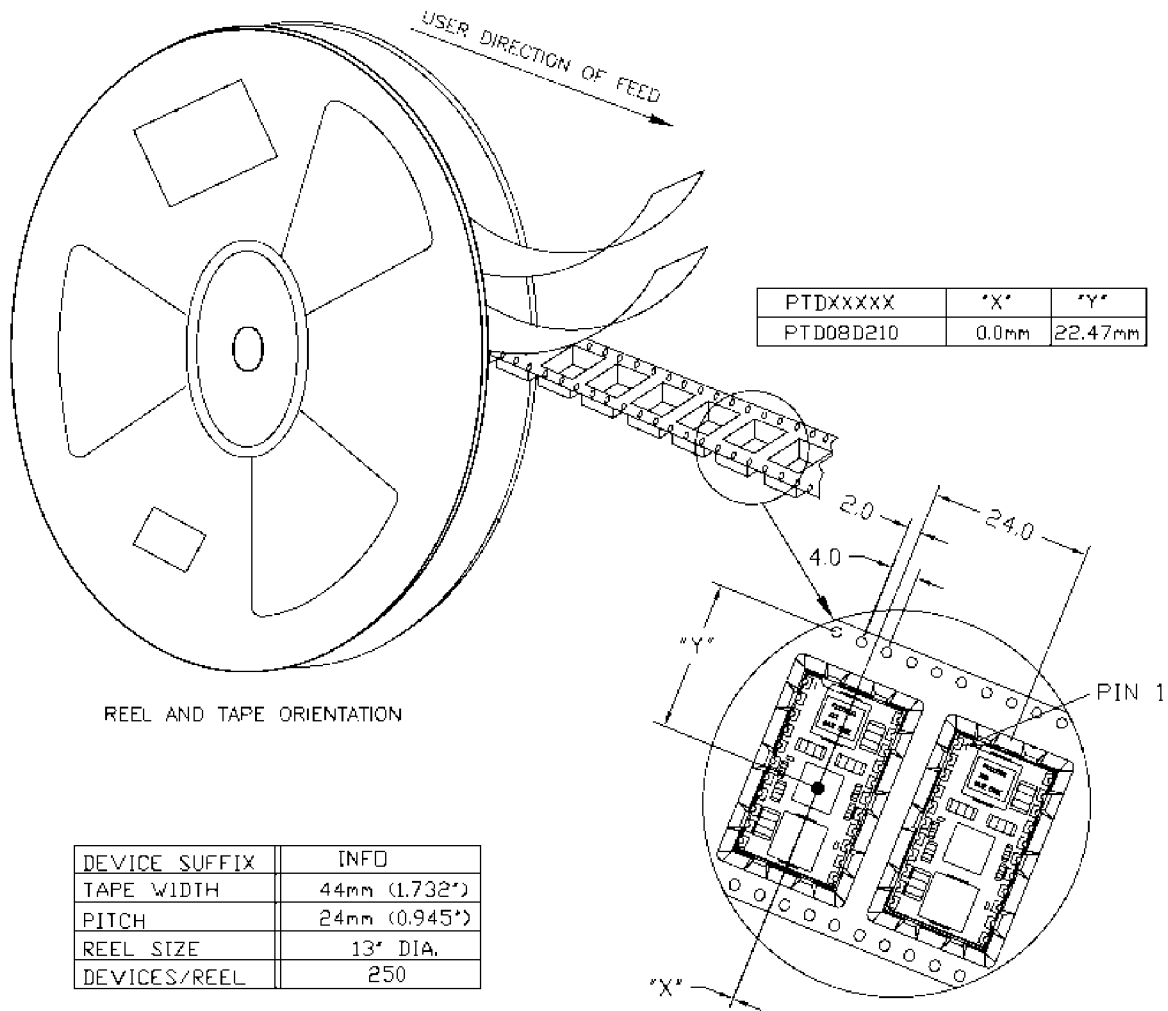
PTD08D210W Plant Parameters			
L (μH)	DCR ($\text{m}\Omega$)	$R_{\text{DS(on)-high}}$ ($\text{m}\Omega$)	$R_{\text{DS(on)-low}}$ ($\text{m}\Omega$)
0.47	2.6	15.5	6.5

Internal output capacitance is present on the digital PowerTrain modules themselves. When using the GUI interface this capacitance information must be included along with any additional external capacitance. See the capacitor parameters below for the PTD08D210W digital PowerTrain modules.

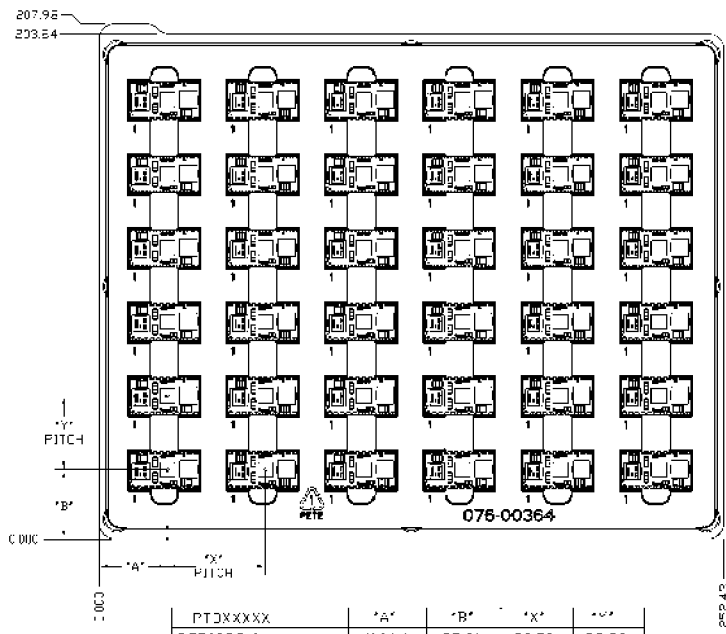
Table 2. PTD08D210W Capacitor Parameters

PTD08D210W Capacitor Parameters			
C (μF)	ESR ($\text{m}\Omega$)	ESL (nH)	Quantity
47	1.5	2.5	1

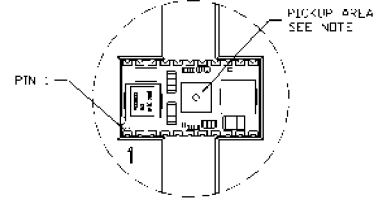
TAPE & REEL



TRAY



DEVICES/TRAY 36



NOTE: THE INTEGRATED CIRCUIT IS USED TO TEST AND PLACE THE MODULE. IT'S LOCATION MAY VARY FROM PACKAGE STYLE. SEE PRODUCT TABLE.

PTDXXXXX	A*	B*	X*	Y*
PTD382210	27.67	27.91	35.70	29.83

ALL DIMENSIONS ARE IN MILLIMETER

REVISION HISTORY

Changes from Revision A (FEBRUARY 2010) to Revision B	Page
• Added Caution regarding paralleling multiple modules.	11

PACKAGING INFORMATION

Orderable Device	Status (1)	Package Type	Package Drawing	Pins	Package Qty	Eco Plan (2)	Lead finish/ Ball material (6)	MSL Peak Temp (3)	Op Temp (°C)	Device Marking (4/5)	Samples
PTD08D210WAC	ACTIVE	DIP MODULE	EFS	22	36	RoHS (In Work) & Green (In Work)	Call TI	Level-3-260C-168 HR	-40 to 85		Samples
PTD08D210WACT	ACTIVE	DIP MODULE	EFS	22	250	RoHS Exempt & Green	Call TI	Level-3-260C-168 HR	-40 to 85		Samples

(1) The marketing status values are defined as follows:

ACTIVE: Product device recommended for new designs.

LIFEBUY: TI has announced that the device will be discontinued, and a lifetime-buy period is in effect.

NRND: Not recommended for new designs. Device is in production to support existing customers, but TI does not recommend using this part in a new design.

PREVIEW: Device has been announced but is not in production. Samples may or may not be available.

OBSELETE: TI has discontinued the production of the device.

(2) **RoHS:** TI defines "RoHS" to mean semiconductor products that are compliant with the current EU RoHS requirements for all 10 RoHS substances, including the requirement that RoHS substance do not exceed 0.1% by weight in homogeneous materials. Where designed to be soldered at high temperatures, "RoHS" products are suitable for use in specified lead-free processes. TI may reference these types of products as "Pb-Free".

RoHS Exempt: TI defines "RoHS Exempt" to mean products that contain lead but are compliant with EU RoHS pursuant to a specific EU RoHS exemption.

Green: TI defines "Green" to mean the content of Chlorine (Cl) and Bromine (Br) based flame retardants meet JS709B low halogen requirements of <=1000ppm threshold. Antimony trioxide based flame retardants must also meet the <=1000ppm threshold requirement.

(3) MSL, Peak Temp. - The Moisture Sensitivity Level rating according to the JEDEC industry standard classifications, and peak solder temperature.

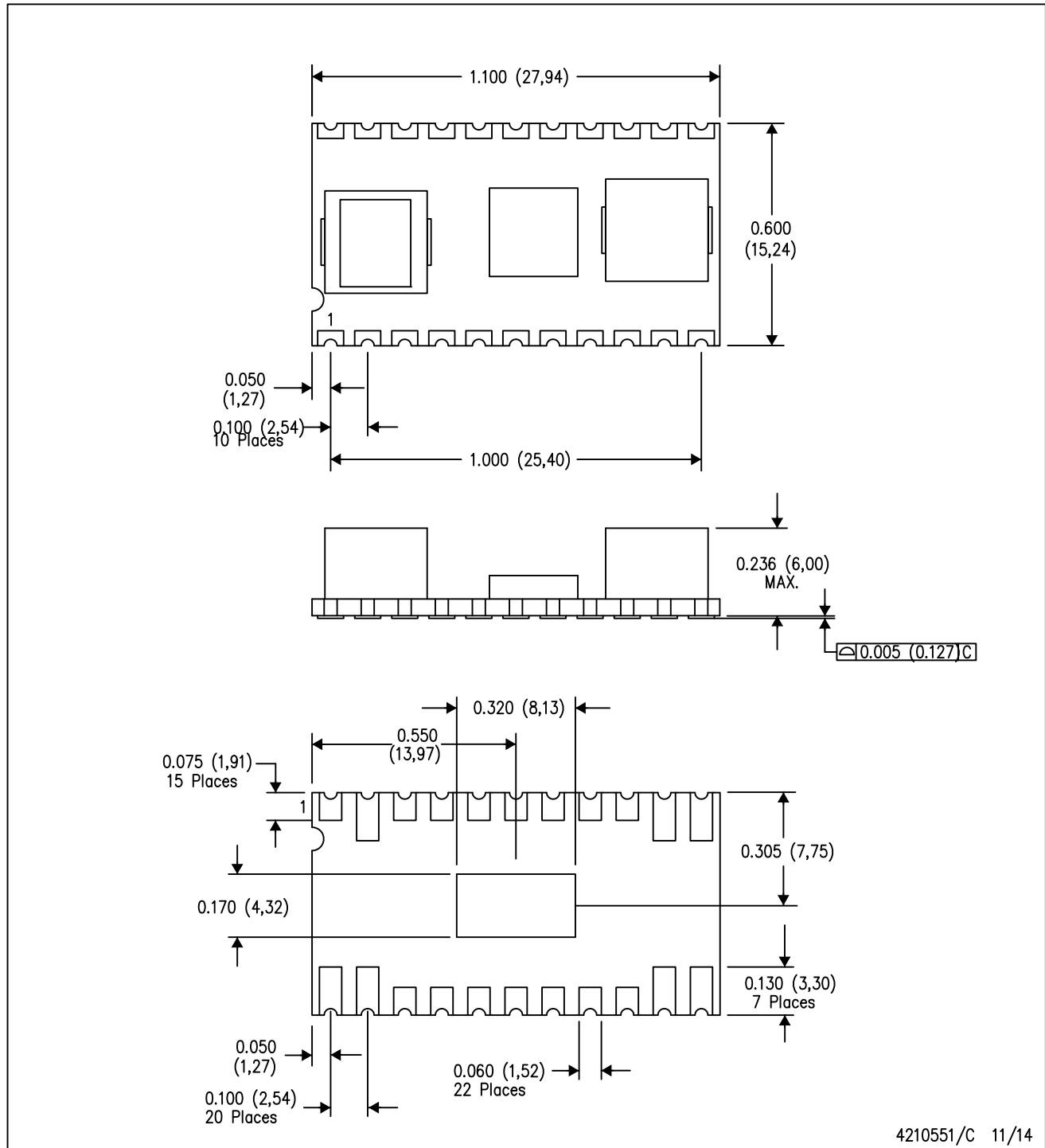
(4) There may be additional marking, which relates to the logo, the lot trace code information, or the environmental category on the device.

(5) Multiple Device Markings will be inside parentheses. Only one Device Marking contained in parentheses and separated by a "~" will appear on a device. If a line is indented then it is a continuation of the previous line and the two combined represent the entire Device Marking for that device.

(6) Lead finish/Ball material - Orderable Devices may have multiple material finish options. Finish options are separated by a vertical ruled line. Lead finish/Ball material values may wrap to two lines if the finish value exceeds the maximum column width.

Important Information and Disclaimer:The information provided on this page represents TI's knowledge and belief as of the date that it is provided. TI bases its knowledge and belief on information provided by third parties, and makes no representation or warranty as to the accuracy of such information. Efforts are underway to better integrate information from third parties. TI has taken and continues to take reasonable steps to provide representative and accurate information but may not have conducted destructive testing or chemical analysis on incoming materials and chemicals. TI and TI suppliers consider certain information to be proprietary, and thus CAS numbers and other limited information may not be available for release.

In no event shall TI's liability arising out of such information exceed the total purchase price of the TI part(s) at issue in this document sold by TI to Customer on an annual basis.

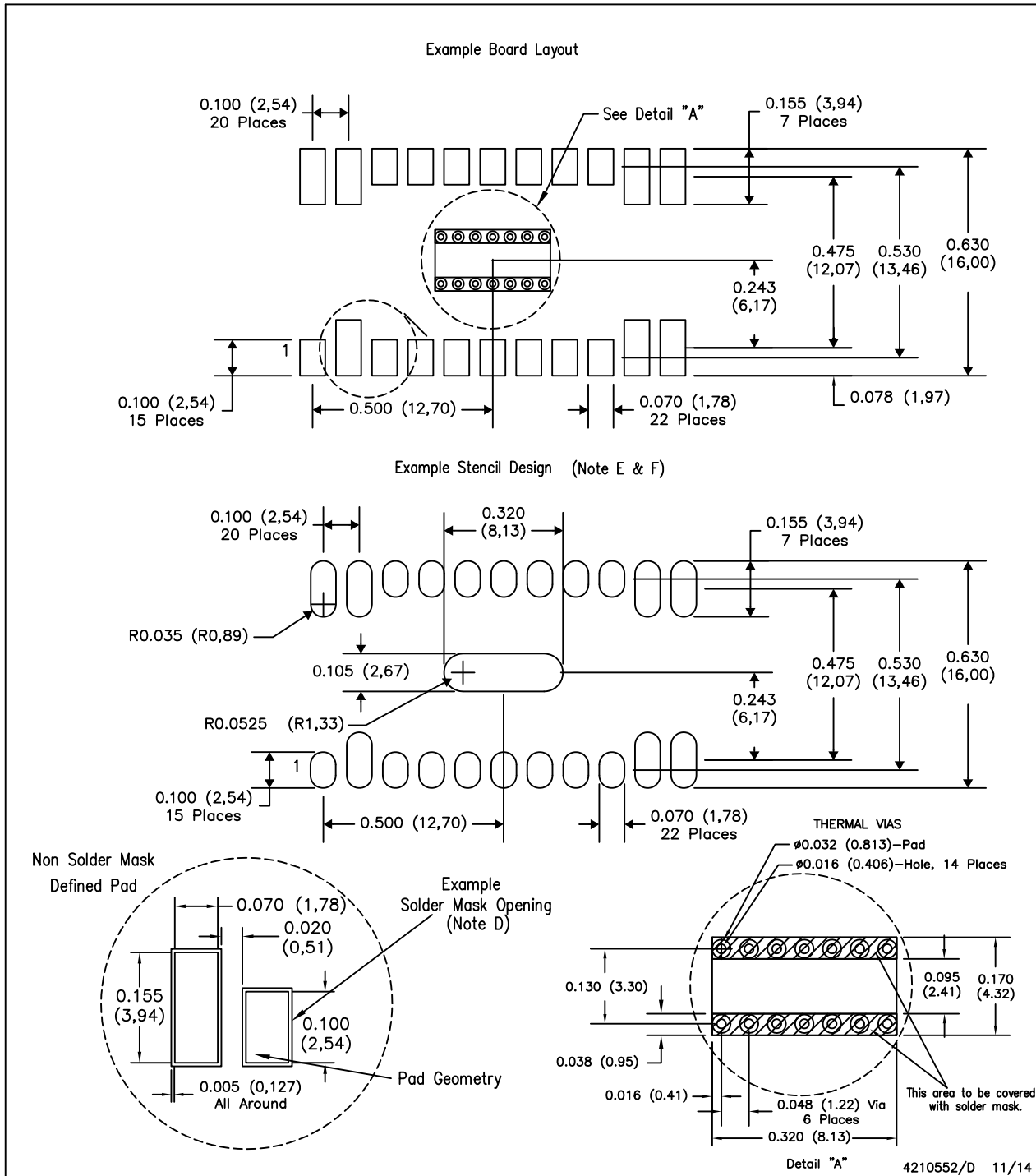


4210551/C 11/14

- NOTES:
- A. All linear dimensions are in inches (mm).
 - B. This drawing is subject to change without notice.
 - C. 2 place decimals are ± 0.030 ($\pm 0,76$ mm).
 - D. 3 place decimals are ± 0.010 ($\pm 0,25$ mm).

EFS (R-PDSS-T22)

SINGLE SIDED MODULE



- NOTES:
- A. All linear dimensions are in inches & millimeters.
 - B. This drawing is subject to change without notice.
 - C. This package is designed to be soldered to a thermal pad on the board. This pad must be at ground potential and be connected to an internal ground plane with multiple thermal vias.
 - D. Customers should contact their board fabrication site for minimum solder mask web tolerances between signal pads.
 - E. Laser cutting apertures with trapezoidal walls and also rounding corners will offer better paste release. Customers should contact their board assembly site for stencil design recommendations. Refer to IPC 7525 for stencil design considerations.
 - F. Paste screen thickness: 0.006 (0,15).
 - G. 3 place decimals are ± 0.010 (± 0.25)

IMPORTANT NOTICE AND DISCLAIMER

TI PROVIDES TECHNICAL AND RELIABILITY DATA (INCLUDING DATA SHEETS), DESIGN RESOURCES (INCLUDING REFERENCE DESIGNS), APPLICATION OR OTHER DESIGN ADVICE, WEB TOOLS, SAFETY INFORMATION, AND OTHER RESOURCES "AS IS" AND WITH ALL FAULTS, AND DISCLAIMS ALL WARRANTIES, EXPRESS AND IMPLIED, INCLUDING WITHOUT LIMITATION ANY IMPLIED WARRANTIES OF MERCHANTABILITY, FITNESS FOR A PARTICULAR PURPOSE OR NON-INFRINGEMENT OF THIRD PARTY INTELLECTUAL PROPERTY RIGHTS.

These resources are intended for skilled developers designing with TI products. You are solely responsible for (1) selecting the appropriate TI products for your application, (2) designing, validating and testing your application, and (3) ensuring your application meets applicable standards, and any other safety, security, regulatory or other requirements.

These resources are subject to change without notice. TI grants you permission to use these resources only for development of an application that uses the TI products described in the resource. Other reproduction and display of these resources is prohibited. No license is granted to any other TI intellectual property right or to any third party intellectual property right. TI disclaims responsibility for, and you will fully indemnify TI and its representatives against, any claims, damages, costs, losses, and liabilities arising out of your use of these resources.

TI's products are provided subject to [TI's Terms of Sale](#) or other applicable terms available either on [ti.com](https://www.ti.com) or provided in conjunction with such TI products. TI's provision of these resources does not expand or otherwise alter TI's applicable warranties or warranty disclaimers for TI products.

TI objects to and rejects any additional or different terms you may have proposed.

Mailing Address: Texas Instruments, Post Office Box 655303, Dallas, Texas 75265
Copyright © 2024, Texas Instruments Incorporated