

## HIGH-SPEED DIFFERENTIAL LINE DRIVER

Check for Samples: [SN65LVDS31-EP](#)

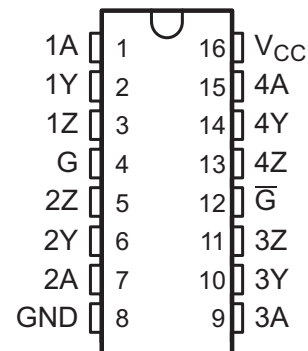
### FEATURES

- Meet or Exceed the Requirements of ANSI TIA/EIA-644 Standard
- Low-Voltage Differential Signaling With Typical Output Voltage of 350 mV and 100-Ω Load
- Typical Output Voltage Rise and Fall Times of 500 ps (400 Mbps)
- Typical Propagation Delay Times of 1.7 ns
- Operate From a Single 3.3-V Supply
- Power Dissipation 25 mW Typical Per Driver at 200 MHz
- Driver at High Impedance When Disabled or With  $V_{CC} = 0$
- Bus-Terminal ESD Protection Exceeds 8 kV
- Low-Voltage TTL (LVTTTL) Logic Input Levels
- Pin Compatible With AM26LS31, MC3487, and  $\mu$ A9638
- Cold Sparring for Space and High Reliability Applications Requiring Redundancy

### SUPPORTS DEFENSE, AEROSPACE, AND MEDICAL APPLICATIONS

- Controlled Baseline
- One Assembly/Test Site
- One Fabrication Site
- Available in Military ( $-55^{\circ}\text{C}/125^{\circ}\text{C}$ ) Temperature Range
- Extended Product Life Cycle
- Extended Product-Change Notification
- Product Traceability

**D PACKAGE  
(TOP VIEW)**



### DESCRIPTION

The SN65LVDS31 is a differential line driver that implements the electrical characteristics of low-voltage differential signaling (LVDS). This signaling technique lowers the output voltage levels of 5-V differential standard levels (such as TIA/EIA-422B) to reduce the power, increase the switching speeds, and allow operation with a 3.3-V supply rail. This driver will deliver a minimum differential output voltage magnitude of 247 mV into a 100-Ω load when enabled.

The intended application of this device and signaling technique is both point-to-point and multidrop (one driver and multiple receivers) data transmission over controlled impedance media of approximately 100 Ω. The transmission media may be printed-circuit board traces, backplanes, or cables. The ultimate rate and distance of data transfer is dependent upon the attenuation characteristics of the media and the noise coupling to the environment.

The SN65LVDS31 is characterized for operation from  $-55^{\circ}\text{C}$  to  $125^{\circ}\text{C}$ .



Please be aware that an important notice concerning availability, standard warranty, and use in critical applications of Texas Instruments semiconductor products and disclaimers thereto appears at the end of this data sheet.



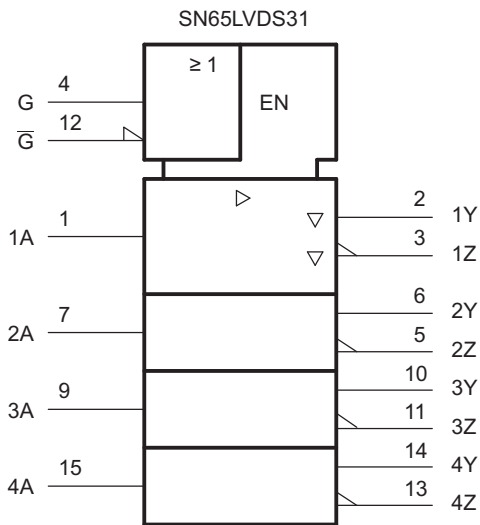
These devices have limited built-in ESD protection. The leads should be shorted together or the device placed in conductive foam during storage or handling to prevent electrostatic damage to the MOS gates.

**ORDERING INFORMATION<sup>(1)</sup>**

T <sub>A</sub>	PACKAGE <sup>(2)</sup>	ORDERABLE PART NUMBER	TOP-SIDE MARKING	VID NUMBER
-55°C to 125°C	SOIC-D	SN65LVDS31MDREP	LVDS31EP	V62/07627-01XE

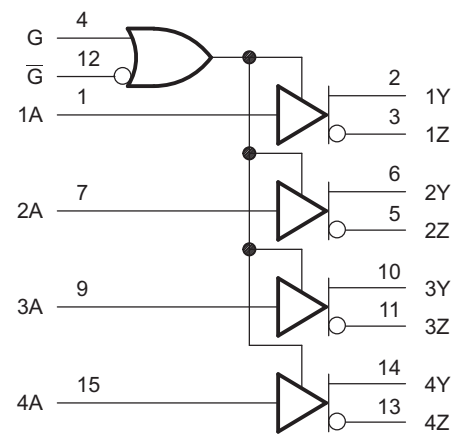
- (1) For the most current package and ordering information, see the Package Option Addendum at the end of this document, or see the TI website at [www.ti.com](http://www.ti.com).
- (2) Package drawings, standard packing quantities, thermal data, symbolization, and PCB design guidelines are available at [www.ti.com/sc/package](http://www.ti.com/sc/package).

**Logic Symbol**



This symbol is in accordance with ANSI/IEEE Std 91-1984 and IEC Publication 617-12.

**SN65LVDS31 Logic Diagram (Positive Logic)**



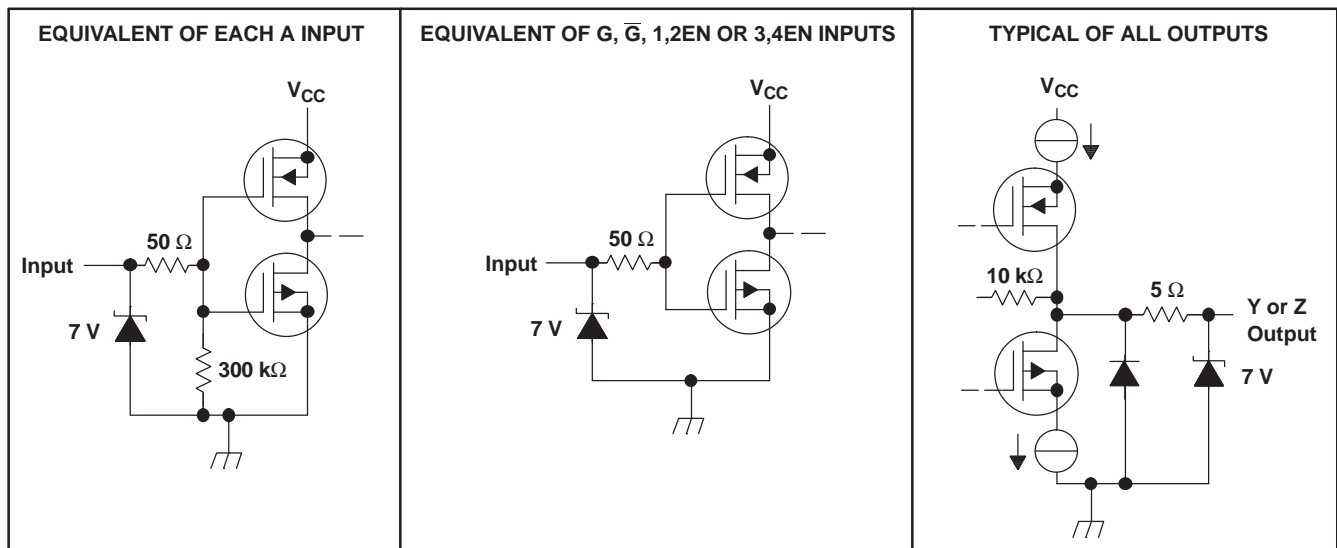
FUNCTION TABLE

Table 1. SN65LVDS31<sup>(1)</sup>

INPUT A	ENABLES		OUTPUTS	
	G	$\bar{G}$	Y	Z
H	H	X	H	L
L	H	X	L	H
H	X	L	H	L
L	X	L	L	H
X	L	H	Z	Z
Open	H	X	L	H
Open	X	L	L	H

(1) H = high level, L = low level, X = irrelevant, Z = high impedance (off)

EQUIVALENT INPUT AND OUTPUT SCHEMATIC DIAGRAMS



**ABSOLUTE MAXIMUM RATINGS<sup>(1)</sup>**

over operating free-air temperature range (unless otherwise noted)

	UNIT
$V_{CC}$ Supply voltage range <sup>(2)</sup>	–0.5 V to 4 V
$V_I$ Input voltage range	–0.5 V to $V_{CC} + 0.5$ V
Continuous total power dissipation	See Dissipation Rating Table
Lead temperature 1,6 mm (1/16 inch) from case for 10 seconds	260°C
$\theta_{JA}$ Thermal resistance, junction-to-ambient	73°C/W
$\theta_{JC}$ Thermal resistance, junction-to-case	36.9°C/W
$T_{stg}$ Storage temperature range	–65°C to 150°C

- (1) Stresses beyond those listed under *absolute maximum ratings* may cause permanent damage to the device. These are stress ratings only, and functional operation of the device at these or any other conditions beyond those indicated under *recommended operating conditions* is not implied. Exposure to absolute-maximum-rated conditions for extended periods may affect device reliability.
- (2) All voltages, except differential I/O bus voltages, are with respect to the network ground terminal.

**DISSIPATION RATING TABLE**

PACKAGE	$T_A \leq 25^\circ\text{C}$ POWER RATING	DERATING FACTOR <sup>(1)</sup> ABOVE $T_A = 25^\circ\text{C}$	$T_A = 70^\circ\text{C}$ POWER RATING	$T_A = 85^\circ\text{C}$ POWER RATING	$T_A = 125^\circ\text{C}$ POWER RATING
D (16)	950 mW	7.6 mW/°C	608 mW	494 mW	190 mW

- (1) This is the inverse of the junction-to-ambient thermal resistance when board-mounted and with no air flow.

**RECOMMENDED OPERATING CONDITIONS**

	MIN	NOM	MAX	UNIT
$V_{CC}$ Supply voltage	3	3.3	3.6	V
$V_{IH}$ High-level input voltage	2			V
$V_{IL}$ Low-level input voltage			0.8	V
$T_A$ Operating free-air temperature	–55		125	°C

**ELECTRICAL CHARACTERISTICS**

over operating free-air temperature range (unless otherwise noted)

PARAMETER	TEST CONDITIONS	MIN	TYP <sup>(1)</sup>	MAX	UNIT
$V_{OD}$ Differential output voltage magnitude	$R_L = 100 \Omega$ , See Figure 2	247	340	454	mV
$\Delta V_{OD}$ Change in differential output voltage magnitude between logic states	$R_L = 100 \Omega$ , See Figure 2	–50		50	mV
$V_{OC(SS)}$ Steady-state common-mode output voltage	See Figure 3	1.125	1.2	1.375	V
$\Delta V_{OC(SS)}$ Change in steady-state common-mode output voltage between logic states	See Figure 3	–50		50	mV
$V_{OC(PP)}$ Peak-to-peak common-mode output voltage	See Figure 3		50		mV
$I_{CC}$ Supply current	$V_I = 0.8$ V or 2 V, Enabled, No load		9	20	mA
	$V_I = 0.8$ or 2 V, $R_L = 100 \Omega$ , Enabled		25	35	
	$V_I = 0$ or $V_{CC}$ , Disabled		0.25	1	
$I_{IH}$ High-level input current	$V_{IH} = 2$		4	20	$\mu\text{A}$
$I_{IL}$ Low-level input current	$V_{IL} = 0.8$ V		0.1	10	$\mu\text{A}$
$I_{OS}$ Short-circuit output current	$V_{O(Y)}$ or $V_{O(Z)} = 0$		–4	–24	mA
	$V_{OD} = 0$			$\pm 12$	
$I_{OZ}$ High-impedance output current	$V_O = 0$ or 2.4 V			$\pm 1$	$\mu\text{A}$
$I_{O(OFF)}$ Power-off output current	$V_{CC} = 0$ , $V_O = 2.4$ V			$\pm 4$	$\mu\text{A}$
$C_i$ Input capacitance			3		pF

- (1) All typical values are at  $T_A = 25^\circ\text{C}$  and with  $V_{CC} = 3.3$  V.

### SWITCHING CHARACTERISTICS

over recommended operating conditions (unless otherwise noted)

PARAMETER		TEST CONDITIONS	MIN	TYP <sup>(1)</sup>	MAX	UNIT
$t_{PLH}$	Propagation delay time, low-to-high-level output	$R_L = 100 \Omega$ , $C_L = 10 \text{ pF}$ , See Figure 2	0.5	1.4	4	ns
$t_{PHL}$	Propagation delay time, high-to-low-level output		1	1.7	4.5	ns
$t_r$	Differential output signal rise time (20% to 80%)		0.5			ns
$t_f$	Differential output signal fall time (80% to 20%)		0.5			ns
$t_{sk(p)}$	Pulse skew ( $ t_{PHL} - t_{PLH} $ )		0.3	0.6		ns
$t_{sk(o)}$	Channel-to-channel output skew <sup>(2)</sup>		0.3	0.8		ns
$t_{PZH}$	Propagation delay time, high-impedance-to-high-level output	See Figure 4	5.4	17		ns
$t_{PZL}$	Propagation delay time, high-impedance-to-low-level output		2.5	17		ns
$t_{PHZ}$	Propagation delay time, high-level-to-high-impedance output		8.1	18		ns
$t_{PLZ}$	Propagation delay time, low-level-to-high-impedance output		7.3	17		ns

- (1) All typical values are at  $T_A = 25^\circ\text{C}$  and with  $V_{CC} = 3.3 \text{ V}$ .
- (2)  $t_{sk(o)}$  is the maximum delay time difference between drivers on the same device.

### PARAMETER MEASUREMENT INFORMATION

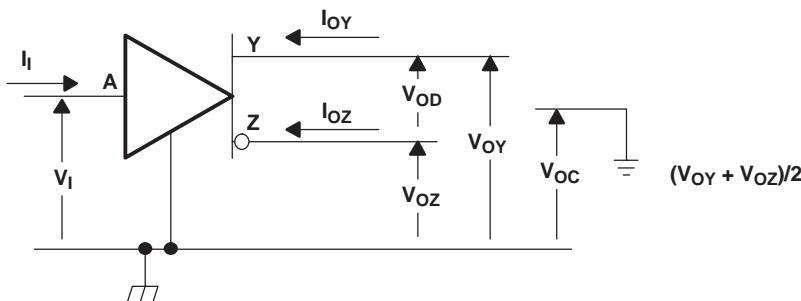
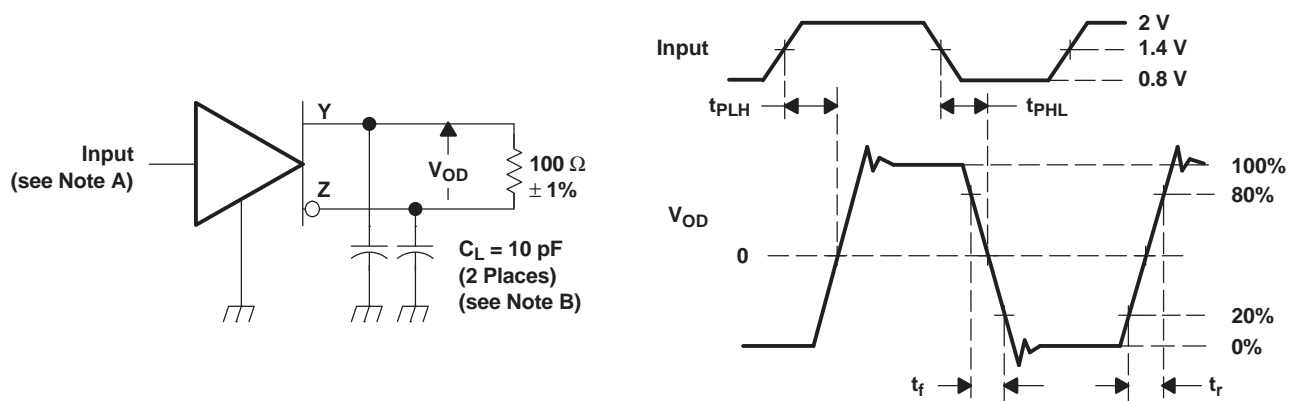


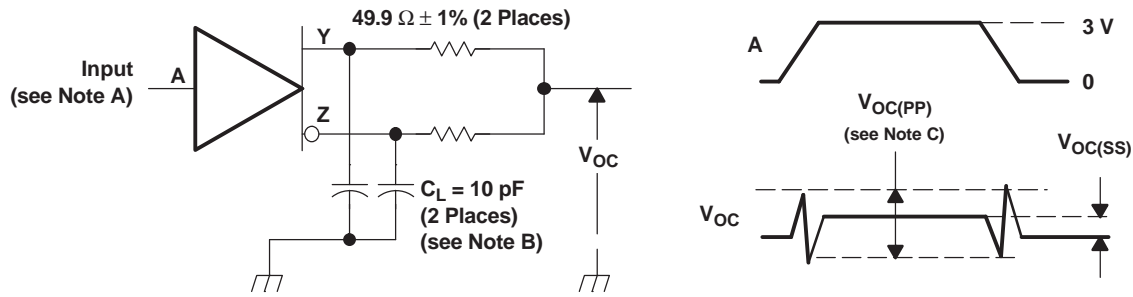
Figure 1. Voltage and Current Definitions



- NOTES: A. All input pulses are supplied by a generator having the following characteristics:  $t_r$  or  $t_f \leq 1 \text{ ns}$ , pulse repetition rate (PRR) = 50 Mpps, pulse width =  $10 \pm 0.2 \text{ ns}$ .
- B.  $C_L$  includes instrumentation and fixture capacitance within 6 mm of the D.U.T.

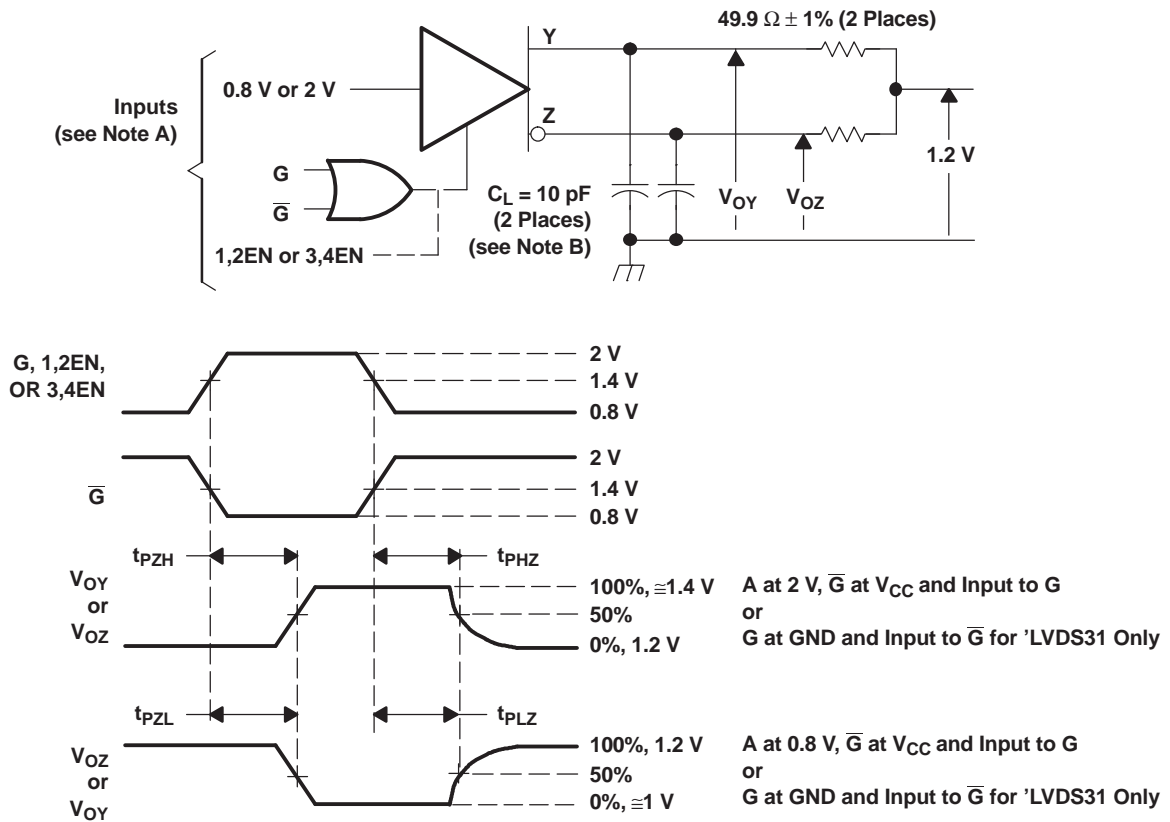
Figure 2. Test Circuit, Timing, and Voltage Definitions for the Differential Output Signal

**PARAMETER MEASUREMENT INFORMATION (continued)**



- NOTES: A. All input pulses are supplied by a generator having the following characteristics:  $t_r$  or  $t_f \leq 1$  ns, pulse repetition rate (PRR) = 50 Mpps, pulse width =  $10 \pm 0.2$  ns.  
 B.  $C_L$  includes instrumentation and fixture capacitance within 6 mm of the D.U.T.  
 C. The measurement of  $V_{OC(PP)}$  is made on test equipment with a  $-3$ -dB bandwidth of at least 300 MHz.

**Figure 3. Test Circuit and Definitions for the Driver Common-Mode Output Voltage**



- NOTES: A. All input pulses are supplied by a generator having the following characteristics:  $t_r$  or  $t_f < 1$  ns, pulse repetition rate (PRR) = 0.5 Mpps, pulse width =  $500 \pm 10$  ns.  
 B.  $C_L$  includes instrumentation and fixture capacitance within 6 mm of the D.U.T.

**Figure 4. Enable-/Disable-Time Circuit and Definitions**

TYPICAL CHARACTERISTICS

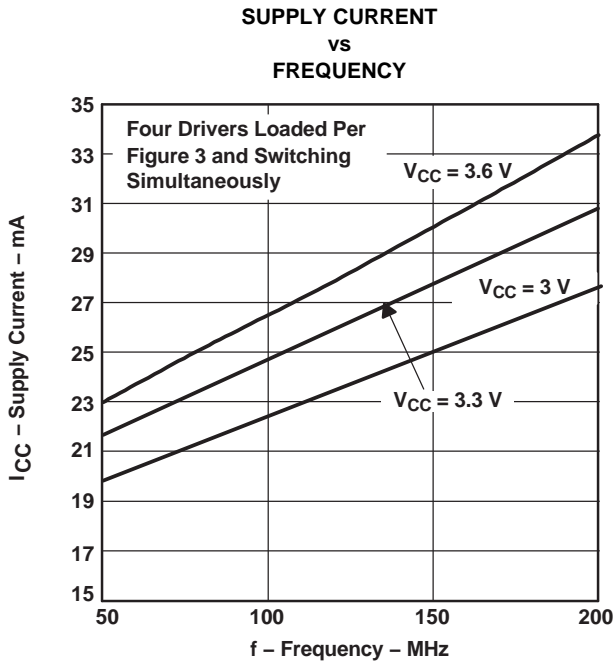


Figure 5.

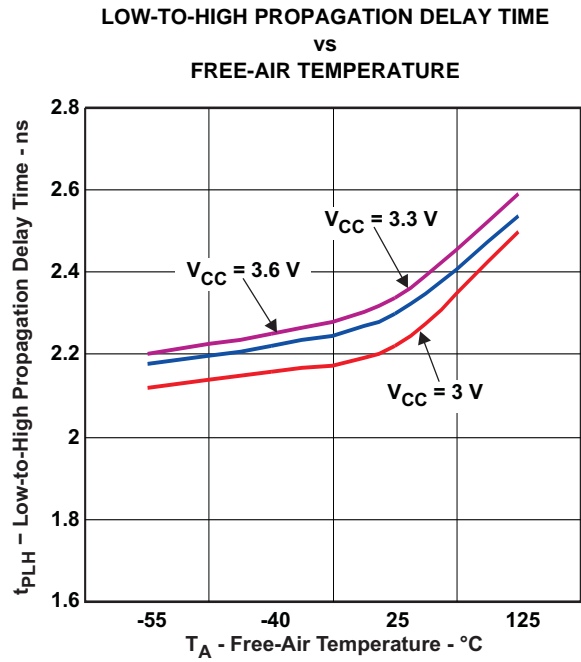


Figure 6.

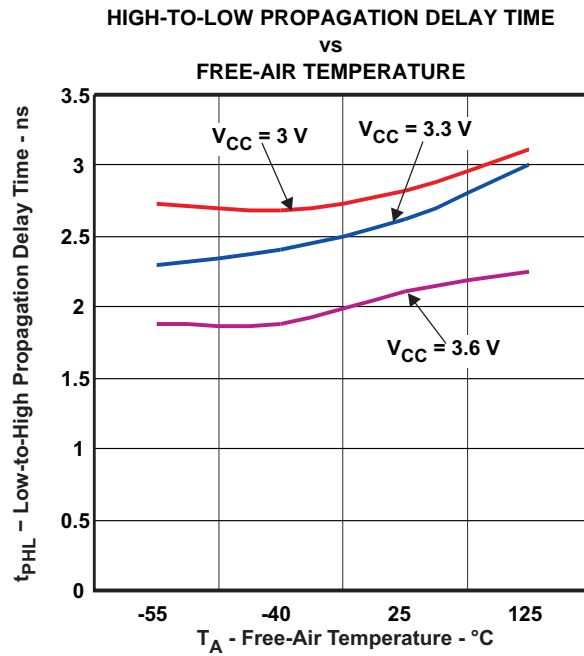
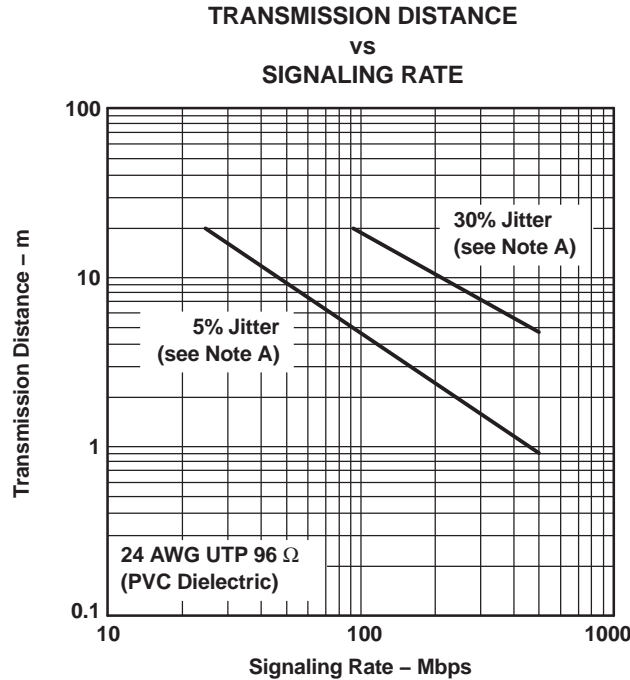


Figure 7.

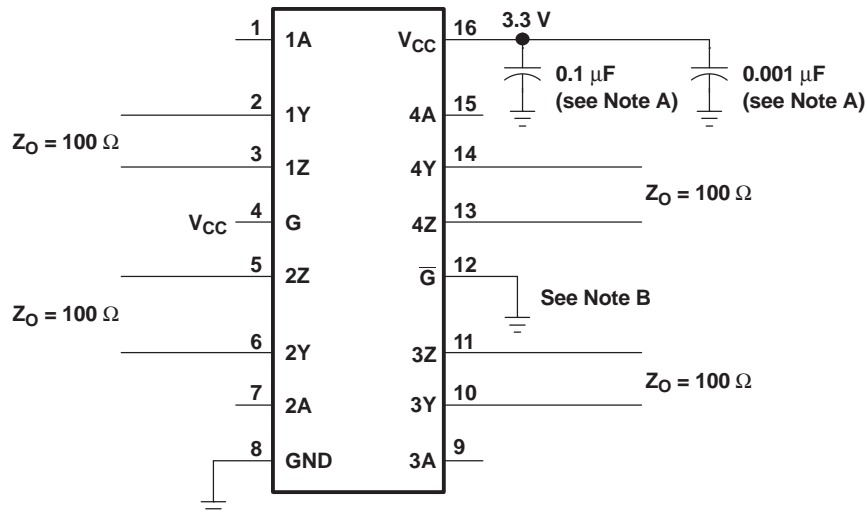
### APPLICATION INFORMATION

The SN65LVDS31 is generally used as a building block for high-speed point-to-point data transmission where ground differences are less than 1 V. The SN65LVDS31 can interoperate with RS-422, PECL, and IEEE-P1596. Drivers/receivers approach ECL speeds without the power and dual supply requirements.



A. This parameter is the percentage of distortion of the unit interval (UI) with a pseudorandom data pattern.

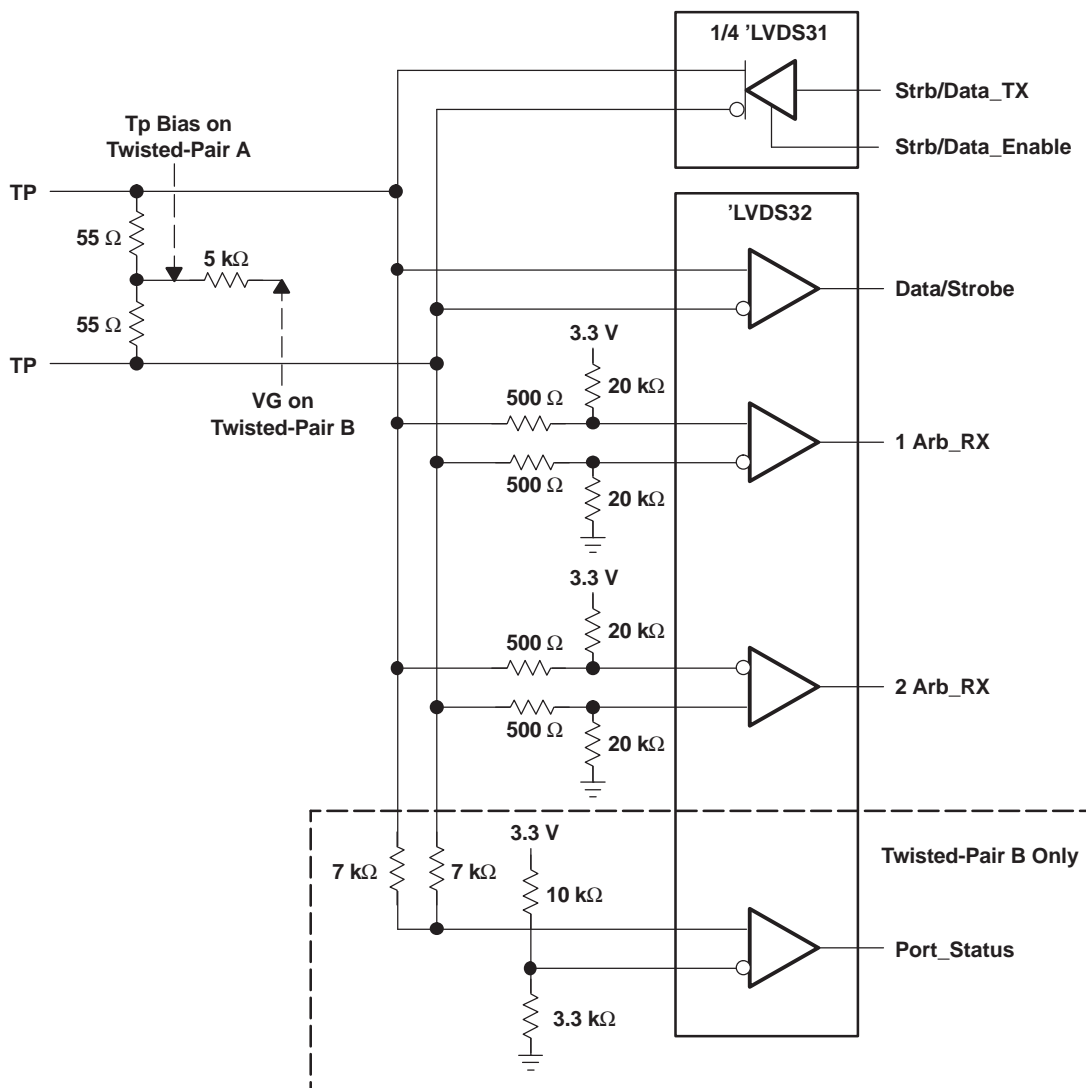
**Figure 8. Typical Transmission Distance Versus Signaling Rate**



- NOTES: A. Place a 0.1- $\mu$ F and a 0.001- $\mu$ F Z5U ceramic, mica, or polystyrene dielectric, 0805 size, chip capacitor between  $V_{CC}$  and the ground plane. The capacitors should be located as close as possible to the device terminals.  
 B. Unused enable inputs should be tied to  $V_{CC}$  or GND, as appropriate.

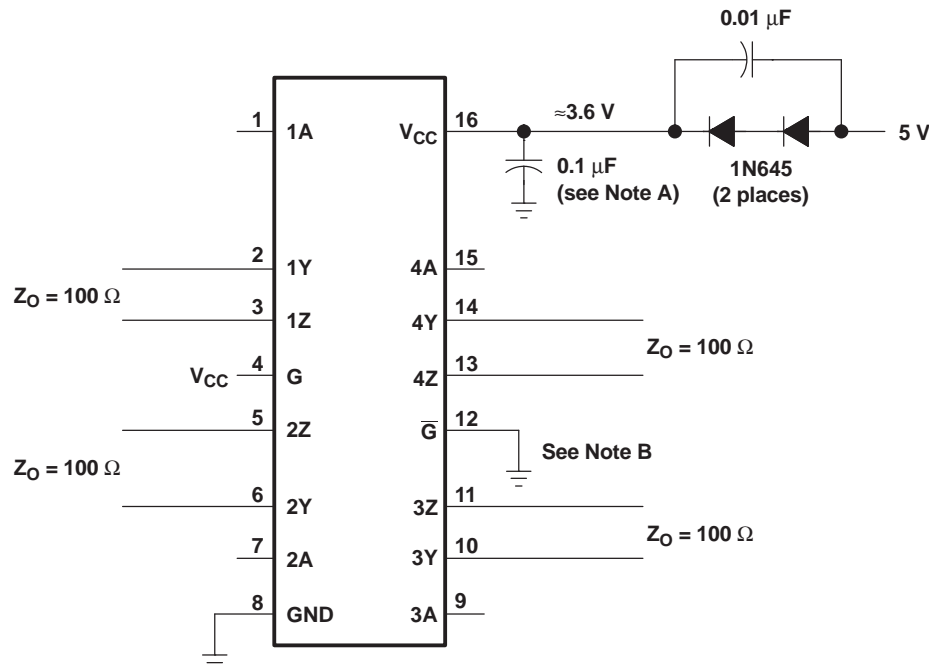
**Figure 9. Typical Application Circuit Schematic**





- NOTES: A. Resistors are leadless, thick film (0603), 5% tolerance.  
 B. Decoupling capacitance is not shown, but recommended.  
 C.  $V_{CC}$  is 3 V to 3.6 V.  
 D. The differential output voltage of the 'LVDS31 can exceed that specified by IEEE1394.

Figure 10. 100-Mbps IEEE 1394 Transceiver



- A. Place a 0.1- $\mu\text{F}$  Z5U ceramic, mica, or polystyrene dielectric, 0805 size, chip capacitor between  $V_{\text{CC}}$  and the ground plane. The capacitor should be located as close as possible to the device terminals.
- B. Unused enable inputs should be tied to  $V_{\text{CC}}$  or GND, as appropriate.

**Figure 11. Operation With 5-V Supply**

## COLD SPARING

Systems using cold sparing have a redundant device electrically connected without power supplied. To support this configuration, the spare must present a high-input impedance to the system so that it does not draw appreciable power. In cold sparing, voltage may be applied to an I/O before and during power up of a device. When the device is powered off,  $V_{\text{CC}}$  must be clamped to ground and the I/O voltages applied must be within the specified recommended operating conditions.

## RELATED INFORMATION

IBIS modeling is available for this device. Contact the local TI sales office or the TI Web site at [www.ti.com](http://www.ti.com) for more information.

For more application guidelines, see the following documents:

- *Low-Voltage Differential Signaling Design Notes* ([SLLA014](#))
- *Interface Circuits for TIA/EIA-644 (LVDS)* ([SLLA038](#))
- *Reducing EMI With LVDS* ([SLLA030](#))
- *Slew Rate Control of LVDS Circuits* ([SLLA034](#))
- *Using an LVDS Receiver With RS-422 Data* ([SLLA031](#))
- *Evaluating the LVDS EVM* ([SLLA033](#))

**PACKAGING INFORMATION**

Orderable Device	Status (1)	Package Type	Package Drawing	Pins	Package Qty	Eco Plan (2)	Lead finish/ Ball material (6)	MSL Peak Temp (3)	Op Temp (°C)	Device Marking (4/5)	Samples
SN65LVDS31MDREP	ACTIVE	SOIC	D	16	2500	RoHS & Green	NIPDAU	Level-1-260C-UNLIM	-55 to 125	LVDS31EP	<a href="#">Samples</a>
V62/07627-01XE	ACTIVE	SOIC	D	16	2500	RoHS & Green	NIPDAU	Level-1-260C-UNLIM	-55 to 125	LVDS31EP	<a href="#">Samples</a>

(1) The marketing status values are defined as follows:

**ACTIVE:** Product device recommended for new designs.

**LIFEBUY:** TI has announced that the device will be discontinued, and a lifetime-buy period is in effect.

**NRND:** Not recommended for new designs. Device is in production to support existing customers, but TI does not recommend using this part in a new design.

**PREVIEW:** Device has been announced but is not in production. Samples may or may not be available.

**OBSOLETE:** TI has discontinued the production of the device.

(2) **RoHS:** TI defines "RoHS" to mean semiconductor products that are compliant with the current EU RoHS requirements for all 10 RoHS substances, including the requirement that RoHS substance do not exceed 0.1% by weight in homogeneous materials. Where designed to be soldered at high temperatures, "RoHS" products are suitable for use in specified lead-free processes. TI may reference these types of products as "Pb-Free".

**RoHS Exempt:** TI defines "RoHS Exempt" to mean products that contain lead but are compliant with EU RoHS pursuant to a specific EU RoHS exemption.

**Green:** TI defines "Green" to mean the content of Chlorine (Cl) and Bromine (Br) based flame retardants meet JS709B low halogen requirements of <=1000ppm threshold. Antimony trioxide based flame retardants must also meet the <=1000ppm threshold requirement.

(3) MSL, Peak Temp. - The Moisture Sensitivity Level rating according to the JEDEC industry standard classifications, and peak solder temperature.

(4) There may be additional marking, which relates to the logo, the lot trace code information, or the environmental category on the device.

(5) Multiple Device Markings will be inside parentheses. Only one Device Marking contained in parentheses and separated by a "~" will appear on a device. If a line is indented then it is a continuation of the previous line and the two combined represent the entire Device Marking for that device.

(6) Lead finish/Ball material - Orderable Devices may have multiple material finish options. Finish options are separated by a vertical ruled line. Lead finish/Ball material values may wrap to two lines if the finish value exceeds the maximum column width.

**Important Information and Disclaimer:**The information provided on this page represents TI's knowledge and belief as of the date that it is provided. TI bases its knowledge and belief on information provided by third parties, and makes no representation or warranty as to the accuracy of such information. Efforts are underway to better integrate information from third parties. TI has taken and continues to take reasonable steps to provide representative and accurate information but may not have conducted destructive testing or chemical analysis on incoming materials and chemicals. TI and TI suppliers consider certain information to be proprietary, and thus CAS numbers and other limited information may not be available for release.

In no event shall TI's liability arising out of such information exceed the total purchase price of the TI part(s) at issue in this document sold by TI to Customer on an annual basis.

**OTHER QUALIFIED VERSIONS OF SN65LVDS31-EP :**

- Catalog: [SN65LVDS31](#)

## NOTE: Qualified Version Definitions:

- Catalog - TI's standard catalog product

D (R-PDSO-G16)

PLASTIC SMALL OUTLINE



4040047-6/M 06/11

- NOTES:
- A. All linear dimensions are in inches (millimeters).
  - B. This drawing is subject to change without notice.
  -  C. Body length does not include mold flash, protrusions, or gate burrs. Mold flash, protrusions, or gate burrs shall not exceed 0.006 (0,15) each side.
  -  D. Body width does not include interlead flash. Interlead flash shall not exceed 0.017 (0,43) each side.
  - E. Reference JEDEC MS-012 variation AC.

## IMPORTANT NOTICE AND DISCLAIMER

TI PROVIDES TECHNICAL AND RELIABILITY DATA (INCLUDING DATA SHEETS), DESIGN RESOURCES (INCLUDING REFERENCE DESIGNS), APPLICATION OR OTHER DESIGN ADVICE, WEB TOOLS, SAFETY INFORMATION, AND OTHER RESOURCES "AS IS" AND WITH ALL FAULTS, AND DISCLAIMS ALL WARRANTIES, EXPRESS AND IMPLIED, INCLUDING WITHOUT LIMITATION ANY IMPLIED WARRANTIES OF MERCHANTABILITY, FITNESS FOR A PARTICULAR PURPOSE OR NON-INFRINGEMENT OF THIRD PARTY INTELLECTUAL PROPERTY RIGHTS.

These resources are intended for skilled developers designing with TI products. You are solely responsible for (1) selecting the appropriate TI products for your application, (2) designing, validating and testing your application, and (3) ensuring your application meets applicable standards, and any other safety, security, regulatory or other requirements.

These resources are subject to change without notice. TI grants you permission to use these resources only for development of an application that uses the TI products described in the resource. Other reproduction and display of these resources is prohibited. No license is granted to any other TI intellectual property right or to any third party intellectual property right. TI disclaims responsibility for, and you will fully indemnify TI and its representatives against, any claims, damages, costs, losses, and liabilities arising out of your use of these resources.

TI's products are provided subject to [TI's Terms of Sale](#) or other applicable terms available either on [ti.com](https://www.ti.com) or provided in conjunction with such TI products. TI's provision of these resources does not expand or otherwise alter TI's applicable warranties or warranty disclaimers for TI products.

TI objects to and rejects any additional or different terms you may have proposed.

Mailing Address: Texas Instruments, Post Office Box 655303, Dallas, Texas 75265  
Copyright © 2024, Texas Instruments Incorporated