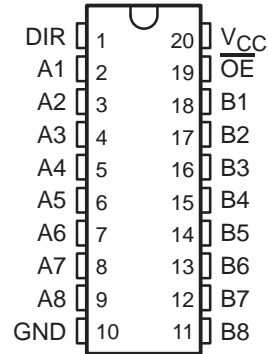


SN74ALS638A, SN74ALS639A, SN74AS638A, SN74AS639 OCTAL BUS TRANSCEIVERS

SDAS123A – DECEMBER 1983 – REVISED JANUARY 1995

- Bidirectional Bus Transceivers in High-Density 20-Pin Packages
- Choice of True or Inverting Logic
- A-Bus Outputs Are Open Collector; B-Bus Outputs Are 3 State
- Package Options Include Plastic Small-Outline (DW) Packages and Standard Plastic (N) 300-mil DIPs

DW OR N PACKAGE
(TOP VIEW)



DEVICE	A OUTPUT	B OUTPUT	LOGIC
SN74ALS638A, SN74AS638A	Open collector	3 state	Inverting
SN74ALS639A, SN74AS639	Open collector	3 state	True

description

These octal bus transceivers are designed for asynchronous two-way communication between open-collector and 3-state buses. The devices transmit data from the A bus (open-collector) to the B bus (3 state) or from the B bus to the A bus, depending on the logic level at the direction-control (DIR) input. The output-enable (\overline{OE}) input can be used to disable the device so the buses are isolated.

The -1 version of SN74ALS638A is identical to the standard version, except that the recommended maximum I_{OL} is increased to 48 mA.

The SN74ALS638A, SN74ALS639A, SN74AS638A, and SN74AS639 are characterized for operation from 0°C to 70°C.

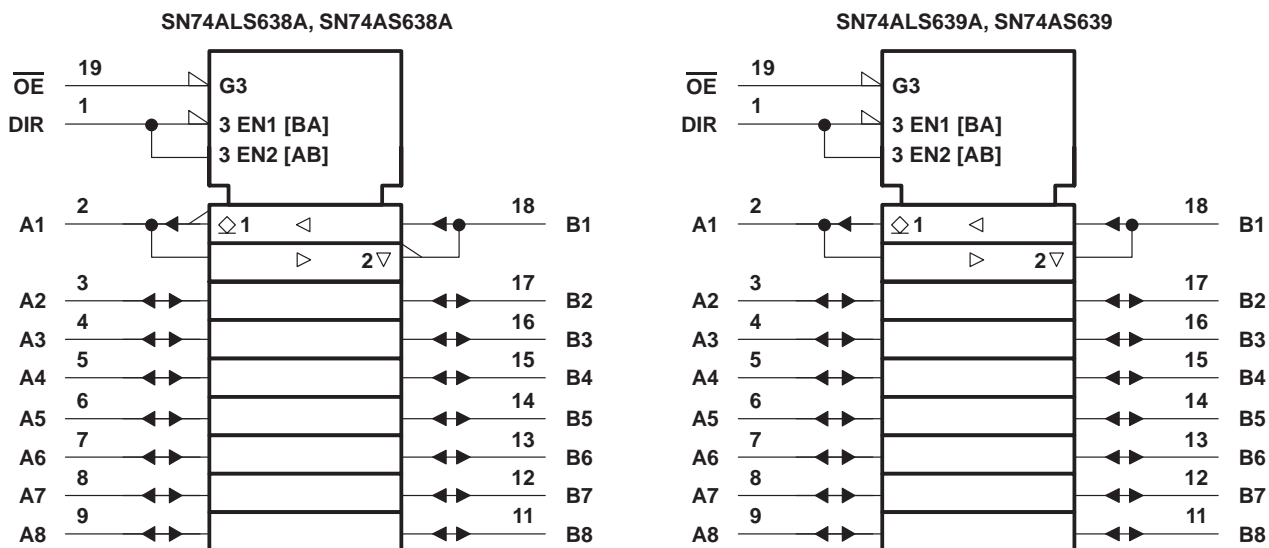
FUNCTION TABLE

INPUTS		OPERATION	
\overline{OE}	DIR	SN74ALS638A SN74AS638A	SN74ALS639A SN74AS639
L	L	\overline{B} data to A bus	B data to A bus
L	H	\overline{A} data to B bus	A data to B bus
H	X	Isolation	Isolation

SN74ALS638A, SN74ALS639A, SN74AS638A, SN74AS639A OCTAL BUS TRANSCEIVERS

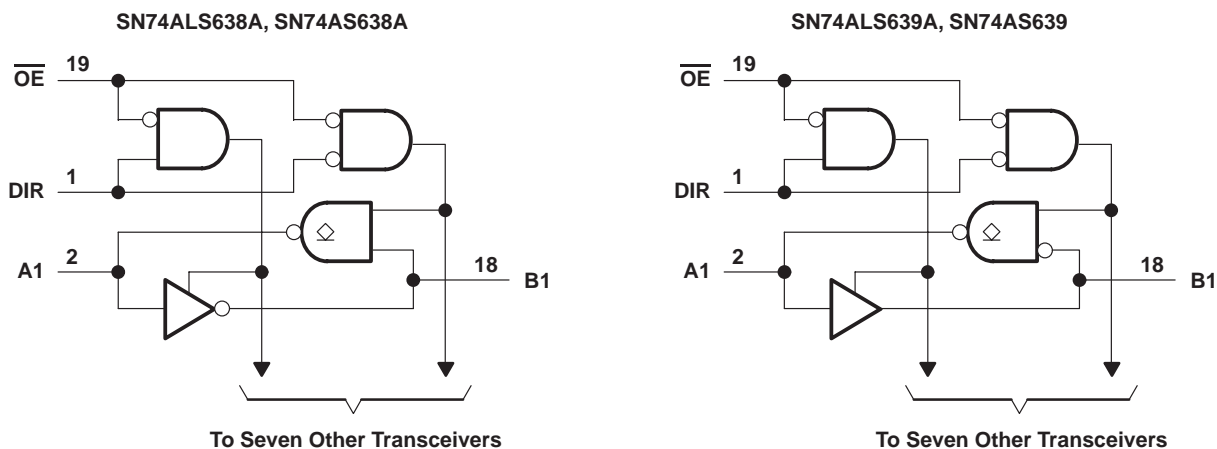
SDAS123A – DECEMBER 1983 – REVISED JANUARY 1995

logic symbols†



† These symbols are in accordance with ANSI/IEEE Std 91-1984 and IEC Publication 617-12.

logic diagrams (positive logic)



absolute maximum ratings over operating free-air temperature range (unless otherwise noted)‡

Supply voltage, V_{CC}	7 V
Input voltage, V_I : All inputs	7 V
A-bus I/O ports	7 V
B-bus I/O ports	5.5 V
Operating free-air temperature range, T_A : SN74ALS638A, SN74ALS639A	0°C to 70°C
Storage temperature range	-65°C to 150°C

‡ Stresses beyond those listed under "absolute maximum ratings" may cause permanent damage to the device. These are stress ratings only, and functional operation of the device at these or any other conditions beyond those indicated under "recommended operating conditions" is not implied. Exposure to absolute-maximum-rated conditions for extended periods may affect device reliability.

SN74ALS638A, SN74ALS639A, SN74AS638A, SN74AS639A OCTAL BUS TRANSCEIVERS

SDAS123A – DECEMBER 1983 – REVISED JANUARY 1995

recommended operating conditions

		SN74ALS638A SN74ALS639A			UNIT
		MIN	NOM	MAX	
V_{CC}	Supply voltage	4.5	5	5.5	V
V_{IH}	High-level input voltage	2			V
V_{IL}	Low-level input voltage			0.8	V
V_{OH}	High-level output voltage			5.5	V
I_{OH}	High-level output current			-15	mA
I_{OL}	Low-level output current			24	mA
				48†	
T_A	Operating free-air temperature	0		70	°C

† Applies only to the SN74ALS638A-1 version and only if V_{CC} is between 4.75 V and 5.25 V

electrical characteristics over recommended operating free-air temperature range (unless otherwise noted)

PARAMETER		TEST CONDITIONS		SN74ALS638A SN74ALS639A		UNIT	
				MIN	TYP‡		MAX
V_{IK}		$V_{CC} = 4.5\text{ V}$,	$I_I = -18\text{ mA}$			-1.5	V
I_{OH}	A ports	$V_{CC} = 4.5\text{ V}$,	$V_{OH} = 5.5\text{ V}$			0.1	mA
V_{OH}	B ports	$V_{CC} = 4.5\text{ V to }5.5\text{ V}$,	$I_{OH} = -0.4\text{ mA}$	$V_{CC} - 2$			V
		$V_{CC} = 4.5\text{ V}$	$I_{OH} = -3\text{ mA}$	2.4	3.2		
			$I_{OH} = -15\text{ mA}$	2			
V_{OL}	A or B ports	$V_{CC} = 4.5\text{ V}$	$I_{OL} = 12\text{ mA}$	0.25	0.4		V
			$I_{OL} = 24\text{ mA}$	0.35	0.5		
			$I_{OL} = 48\text{ mA}^\dagger$	0.35	0.5		
I_I	Control inputs	$V_{CC} = 5.5\text{ V}$	$V_I = 7\text{ V}$			0.1	mA
	A or B ports		$V_I = 5.5\text{ V}$			0.1	
I_{IH}	Control inputs	$V_{CC} = 5.5\text{ V}$,	$V_I = 2.7\text{ V}$			20	μA
	A or B ports§					20	
I_{IL}	Control inputs	$V_{CC} = 5.5\text{ V}$,	$V_I = 0.4\text{ V}$			-0.1	mA
	A or B ports§					-0.1	
I_{O}^\parallel	B ports	$V_{CC} = 5.5\text{ V}$,	$V_O = 2.25\text{ V}$	-30		-112	mA
I_{CC}	SN74ALS638A	$V_{CC} = 5.5\text{ V}$	Outputs high	18	30		mA
			Outputs low	26	41		
			Outputs disabled	16	30		
	SN74ALS639A		Outputs high	25	40		
			Outputs low	30	50		
			Outputs disabled	33	54		

† Applies only to the SN74ALS638A-1 version and only if V_{CC} is between 4.75 V and 5.25 V

‡ All typical values are at $V_{CC} = 5\text{ V}$, $T_A = 25^\circ\text{C}$.

§ For I/O ports, the parameters I_{IH} and I_{IL} include the off-state output current.

¶ The output conditions have been chosen to produce a current that closely approximates one half of the true short-circuit output current, I_{OS} .



SN74ALS638A, SN74ALS639A, SN74AS638A, SN74AS639

OCTAL BUS TRANSCEIVERS

SDAS123A – DECEMBER 1983 – REVISED JANUARY 1995

switching characteristics (see Figure 1)

PARAMETER	FROM (INPUT)	TO (OUTPUT)	V _{CC} = 4.5 V to 5.5 V, C _L = 50 pF, R _L = 680 Ω (A outputs), R ₁ = R ₂ = 500 Ω (B outputs), T _A = MIN to MAX†				UNIT
			SN74ALS638A		SN74ALS639A		
			MIN	MAX	MIN	MAX	
t _{PLH}	A	B	2	12	2	12	ns
t _{PHL}			2	12	2	12	
t _{PLH}	B	A	8	25	10	30	ns
t _{PHL}			8	30	5	22	
t _{PLH}	\overline{OE}	A	5	25	10	30	ns
t _{PHL}			10	45	10	35	
t _{PZH}	\overline{OE}	B	5	20	6	21	ns
t _{PZL}			5	22	8	25	
t _{PHZ}	\overline{OE}	B	2	10	2	10	ns
t _{PLZ}			3	15	3	16	

† For conditions shown as MIN or MAX, use the appropriate value specified under recommended operating conditions.

absolute maximum ratings over operating free-air temperature range (unless otherwise noted)‡

Supply voltage, V _{CC}	7 V
Input voltage, V _I : All inputs	7 V
A-bus I/O ports	7 V
B-bus I/O ports	5.5 V
Operating free-air temperature range, T _A : SN74AS638A, SN74AS639	0°C to 70°C
Storage temperature range	–65°C to 150°C

‡ Stresses beyond those listed under “absolute maximum ratings” may cause permanent damage to the device. These are stress ratings only, and functional operation of the device at these or any other conditions beyond those indicated under “recommended operating conditions” is not implied. Exposure to absolute-maximum-rated conditions for extended periods may affect device reliability.

recommended operating conditions

		SN74AS638A SN74AS639			UNIT
		MIN	NOM	MAX	
V _{CC}	Supply voltage	4.5	5	5.5	V
V _{IH}	High-level input voltage	2			V
V _{IL}	Low-level input voltage			0.8	V
V _{OH}	High-level output voltage			5.5	V
I _{OH}	High-level output current			–15	mA
I _{OL}	Low-level output current			64	mA
T _A	Operating free-air temperature	0		70	°C



SN74ALS638A, SN74ALS639A, SN74AS638A, SN74AS639A OCTAL BUS TRANSCEIVERS

SDAS123A – DECEMBER 1983 – REVISED JANUARY 1995

electrical characteristics over recommended operating free-air temperature range (unless otherwise noted)

PARAMETER		TEST CONDITIONS		SN74AS638A SN74AS639			UNIT	
				MIN	TYP†	MAX		
V _{IK}		V _{CC} = 4.5 V, I _I = -18 mA		-1.2			V	
I _{OH}	A ports	V _{CC} = 4.5 V, V _{OH} = 5.5 V		0.1			mA	
V _{OH}	B ports	V _{CC} = 4.5 V to 5.5 V, I _{OH} = -2 mA		V _{CC} - 2			V	
		V _{CC} = 4.5 V, I _{OH} = -3 mA		2.4	3.2			
		V _{CC} = 4.5 V, I _{OH} = -15 mA		2.4				
V _{OL}	A or B ports	V _{CC} = 4.5 V, I _{OL} = 64 mA		0.35	0.55		V	
I _I	Control inputs	V _{CC} = 5.5 V, V _I = 7 V		0.1			mA	
	A or B ports	V _{CC} = 5.5 V, V _I = 5.5 V		0.1				
I _{IH}	Control inputs	V _{CC} = 5.5 V, V _I = 2.7 V		20			μA	
	A or B ports‡			70				
I _{IL}	Control inputs	V _{CC} = 5.5 V, V _I = 0.4 V		-0.5			mA	
	A or B ports‡			-0.75				
I _{OS} §		V _{CC} = 5.5 V, V _O = 2.25 V		-50	-150		mA	
I _{CC}	SN74AS638A	V _{CC} = 5.5 V		Outputs high		24	54	mA
				Outputs low		75	122	
				Outputs disabled		37	61	
	SN74AS639	V _{CC} = 5.5 V		Outputs high		56	92	
				Outputs low		95	154	
				Outputs disabled		62	100	

† All typical values are at V_{CC} = 5 V, T_A = 25°C.

‡ For I/O ports, the parameters I_{IH} and I_{IL} include the off-state output current.

§ The output conditions have been chosen to produce a current that closely approximates one half of the true short-circuit output current, I_{OS}.

switching characteristics (see Figure 1)

PARAMETER	FROM (INPUT)	TO (OUTPUT)	V _{CC} = 4.5 V to 5.5 V, C _L = 50 pF, R _L = 500 Ω (A outputs), R _L = 500 Ω (B outputs), T _A = MIN to MAX¶				UNIT
			SN74AS638A		SN74AS639		
			MIN	MAX	MIN	MAX	
t _{PLH}	A	B	2	7	2	9.5	ns
t _{PHL}			2	6.5	2	9	
t _{PLH}	B	A	5	20	5	22	ns
t _{PHL}			2	7	2	9	
t _{PLH}	\overline{OE}	A	5	19	5	21.5	ns
t _{PHL}			2	9	2	11.5	
t _{PZH}	\overline{OE}	B	2	8	2	10.5	ns
t _{PZL}			2	10	2	10.5	
t _{PHZ}	\overline{OE}	B	2	7	2	7	ns
t _{PLZ}			2	10	2	10.5	

¶ For conditions shown as MIN or MAX, use the appropriate value specified under recommended operating conditions.

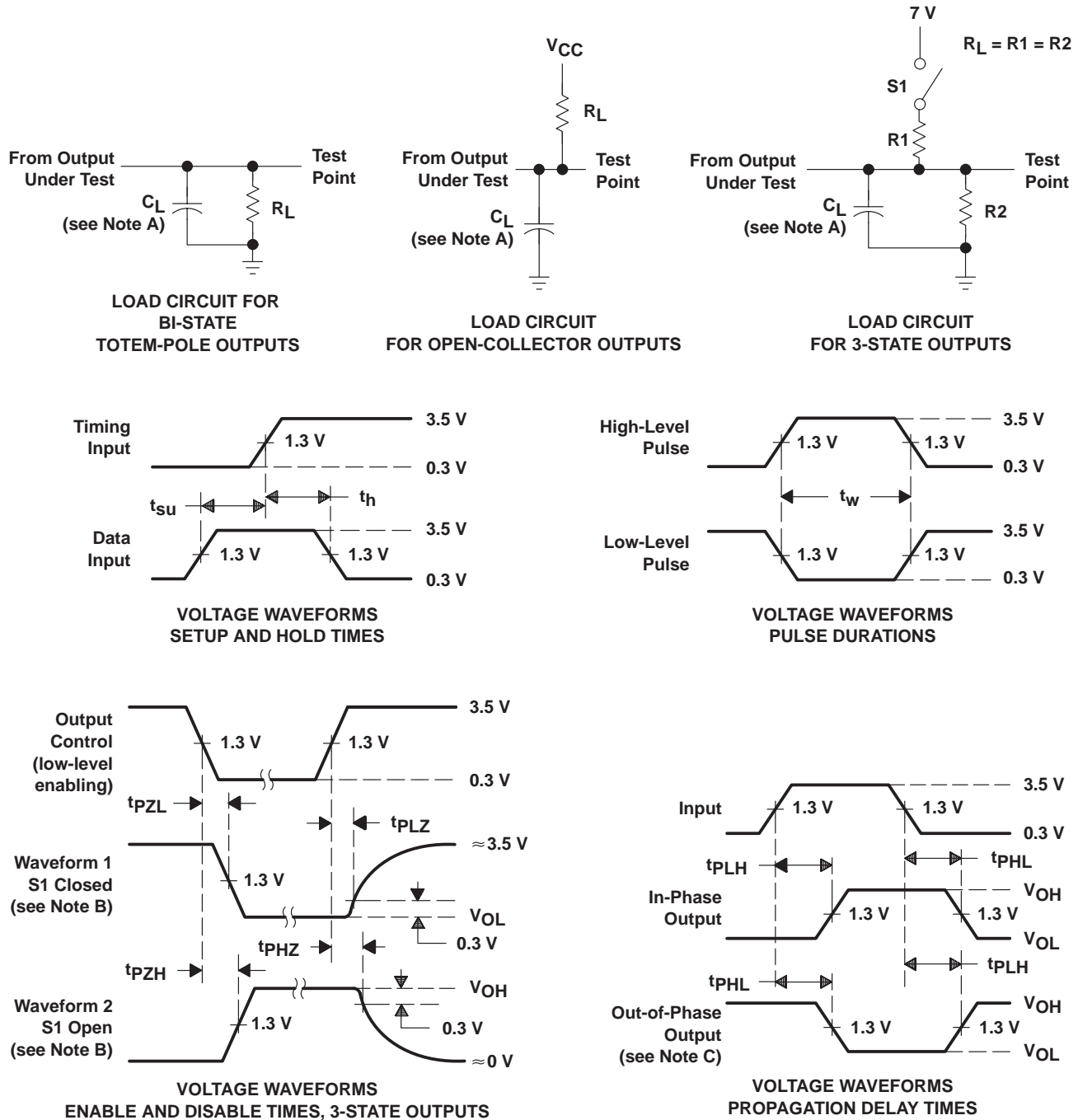


SN74ALS638A, SN74ALS639A, SN74AS638A, SN74AS639

OCTAL BUS TRANSCEIVERS

SDAS123A – DECEMBER 1983 – REVISED JANUARY 1995

PARAMETER MEASUREMENT INFORMATION SERIES 54ALS/74ALS AND 54AS/74AS DEVICES



- NOTES: A. C_L includes probe and jig capacitance.
 B. Waveform 1 is for an output with internal conditions such that the output is low except when disabled by the output control. Waveform 2 is for an output with internal conditions such that the output is high except when disabled by the output control.
 C. When measuring propagation delay items of 3-state outputs, switch S1 is open.
 D. All input pulses have the following characteristics: $PRR \leq 1$ MHz, $t_r = t_f = 2$ ns, duty cycle = 50%.
 E. The outputs are measured one at a time with one transition per measurement.

Figure 1. Load Circuits and Voltage Waveforms

PACKAGING INFORMATION

Orderable Device	Status (1)	Package Type	Package Drawing	Pins	Package Qty	Eco Plan (2)	Lead finish/ Ball material (6)	MSL Peak Temp (3)	Op Temp (°C)	Device Marking (4/5)	Samples
SN74ALS638AN	ACTIVE	PDIP	N	20	20	RoHS & Non-Green	NIPDAU	N / A for Pkg Type	0 to 70	SN74ALS638AN	Samples
SN74ALS639ADW	ACTIVE	SOIC	DW	20	25	RoHS & Green	NIPDAU	Level-1-260C-UNLIM	0 to 70	ALS639A	Samples
SN74ALS639AN	ACTIVE	PDIP	N	20	20	RoHS & Green	NIPDAU	N / A for Pkg Type	0 to 70	SN74ALS639AN	Samples

(1) The marketing status values are defined as follows:

ACTIVE: Product device recommended for new designs.

LIFEBUY: TI has announced that the device will be discontinued, and a lifetime-buy period is in effect.

NRND: Not recommended for new designs. Device is in production to support existing customers, but TI does not recommend using this part in a new design.

PREVIEW: Device has been announced but is not in production. Samples may or may not be available.

OBSOLETE: TI has discontinued the production of the device.

(2) **RoHS:** TI defines "RoHS" to mean semiconductor products that are compliant with the current EU RoHS requirements for all 10 RoHS substances, including the requirement that RoHS substance do not exceed 0.1% by weight in homogeneous materials. Where designed to be soldered at high temperatures, "RoHS" products are suitable for use in specified lead-free processes. TI may reference these types of products as "Pb-Free".

RoHS Exempt: TI defines "RoHS Exempt" to mean products that contain lead but are compliant with EU RoHS pursuant to a specific EU RoHS exemption.

Green: TI defines "Green" to mean the content of Chlorine (Cl) and Bromine (Br) based flame retardants meet JS709B low halogen requirements of <=1000ppm threshold. Antimony trioxide based flame retardants must also meet the <=1000ppm threshold requirement.

(3) MSL, Peak Temp. - The Moisture Sensitivity Level rating according to the JEDEC industry standard classifications, and peak solder temperature.

(4) There may be additional marking, which relates to the logo, the lot trace code information, or the environmental category on the device.

(5) Multiple Device Markings will be inside parentheses. Only one Device Marking contained in parentheses and separated by a "-" will appear on a device. If a line is indented then it is a continuation of the previous line and the two combined represent the entire Device Marking for that device.

(6) Lead finish/Ball material - Orderable Devices may have multiple material finish options. Finish options are separated by a vertical ruled line. Lead finish/Ball material values may wrap to two lines if the finish value exceeds the maximum column width.

Important Information and Disclaimer:The information provided on this page represents TI's knowledge and belief as of the date that it is provided. TI bases its knowledge and belief on information provided by third parties, and makes no representation or warranty as to the accuracy of such information. Efforts are underway to better integrate information from third parties. TI has taken and continues to take reasonable steps to provide representative and accurate information but may not have conducted destructive testing or chemical analysis on incoming materials and chemicals. TI and TI suppliers consider certain information to be proprietary, and thus CAS numbers and other limited information may not be available for release.

In no event shall TI's liability arising out of such information exceed the total purchase price of the TI part(s) at issue in this document sold by TI to Customer on an annual basis.

TUBE


*All dimensions are nominal

Device	Package Name	Package Type	Pins	SPQ	L (mm)	W (mm)	T (μm)	B (mm)
SN74ALS638AN	N	PDIP	20	20	506	13.97	11230	4.32
SN74ALS639ADW	DW	SOIC	20	25	507	12.83	5080	6.6
SN74ALS639AN	N	PDIP	20	20	506	13.97	11230	4.32

N (R-PDIP-T**)

PLASTIC DUAL-IN-LINE PACKAGE

16 PINS SHOWN



- NOTES:
- A. All linear dimensions are in inches (millimeters).
 - B. This drawing is subject to change without notice.
 - $\triangle C$ Falls within JEDEC MS-001, except 18 and 20 pin minimum body length (Dim A).
 - $\triangle D$ The 20 pin end lead shoulder width is a vendor option, either half or full width.

4040049/E 12/2002

DW0020A



PACKAGE OUTLINE

SOIC - 2.65 mm max height

SOIC



4220724/A 05/2016

NOTES:

1. All linear dimensions are in millimeters. Dimensions in parenthesis are for reference only. Dimensioning and tolerancing per ASME Y14.5M.
2. This drawing is subject to change without notice.
3. This dimension does not include mold flash, protrusions, or gate burrs. Mold flash, protrusions, or gate burrs shall not exceed 0.15 mm per side.
4. This dimension does not include interlead flash. Interlead flash shall not exceed 0.43 mm per side.
5. Reference JEDEC registration MS-013.

EXAMPLE BOARD LAYOUT

DW0020A

SOIC - 2.65 mm max height

SOIC



LAND PATTERN EXAMPLE
SCALE:6X



SOLDER MASK DETAILS

4220724/A 05/2016

NOTES: (continued)

- 6. Publication IPC-7351 may have alternate designs.
- 7. Solder mask tolerances between and around signal pads can vary based on board fabrication site.

EXAMPLE STENCIL DESIGN

DW0020A

SOIC - 2.65 mm max height

SOIC



SOLDER PASTE EXAMPLE
BASED ON 0.125 mm THICK STENCIL
SCALE:6X

4220724/A 05/2016

NOTES: (continued)

8. Laser cutting apertures with trapezoidal walls and rounded corners may offer better paste release. IPC-7525 may have alternate design recommendations.
9. Board assembly site may have different recommendations for stencil design.

IMPORTANT NOTICE AND DISCLAIMER

TI PROVIDES TECHNICAL AND RELIABILITY DATA (INCLUDING DATA SHEETS), DESIGN RESOURCES (INCLUDING REFERENCE DESIGNS), APPLICATION OR OTHER DESIGN ADVICE, WEB TOOLS, SAFETY INFORMATION, AND OTHER RESOURCES "AS IS" AND WITH ALL FAULTS, AND DISCLAIMS ALL WARRANTIES, EXPRESS AND IMPLIED, INCLUDING WITHOUT LIMITATION ANY IMPLIED WARRANTIES OF MERCHANTABILITY, FITNESS FOR A PARTICULAR PURPOSE OR NON-INFRINGEMENT OF THIRD PARTY INTELLECTUAL PROPERTY RIGHTS.

These resources are intended for skilled developers designing with TI products. You are solely responsible for (1) selecting the appropriate TI products for your application, (2) designing, validating and testing your application, and (3) ensuring your application meets applicable standards, and any other safety, security, regulatory or other requirements.

These resources are subject to change without notice. TI grants you permission to use these resources only for development of an application that uses the TI products described in the resource. Other reproduction and display of these resources is prohibited. No license is granted to any other TI intellectual property right or to any third party intellectual property right. TI disclaims responsibility for, and you will fully indemnify TI and its representatives against, any claims, damages, costs, losses, and liabilities arising out of your use of these resources.

TI's products are provided subject to [TI's Terms of Sale](#) or other applicable terms available either on [ti.com](https://www.ti.com) or provided in conjunction with such TI products. TI's provision of these resources does not expand or otherwise alter TI's applicable warranties or warranty disclaimers for TI products.

TI objects to and rejects any additional or different terms you may have proposed.

Mailing Address: Texas Instruments, Post Office Box 655303, Dallas, Texas 75265
Copyright © 2024, Texas Instruments Incorporated