

LOW-DISTORTION, HIGH-SPEED, RAIL-TO-RAIL OUTPUT OPERATIONAL AMPLIFIERS

FEATURES

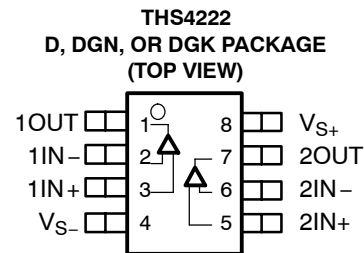
- **Rail-to-Rail Output Swing**
 - $V_O = -4.8/4.8$ ($R_L = 2\text{ k}\Omega$)
- **High Speed**
 - 230 MHz Bandwidth (-3 dB , $G = 1$)
 - 975 V/ μs Slew Rate
- **Ultra-Low Distortion**
 - $\text{HD}_2 = -90\text{ dBc}$ ($f = 5\text{ MHz}$, $R_L = 499\Omega$)
 - $\text{HD}_3 = -100\text{ dBc}$ ($f = 5\text{ MHz}$, $R_L = 499\Omega$)
- **High Output Drive, $I_O = 100\text{ mA}$ (typ)**
- **Excellent Video Performance**
 - 40 MHz Bandwidth (0.1 dB , $G = 2$)
 - 0.007% Differential Gain
 - 0.007° Differential Phase
- **Wide Range of Power Supplies**
 - $V_S = 3\text{ V}$ to 15 V
- **Power-Down Mode (THS4225/6)**
- **Evaluation Module Available**

DESCRIPTION

The THS4222 family is a set of rail-to-rail output single, and dual low-voltage, high-output swing, low-distortion high-speed amplifiers ideal for driving data converters, video switching or low distortion applications. This family of voltage feedback amplifiers can operate from a single 15-V power supply down to a single 3-V power supply while consuming only 14 mA of quiescent current per channel. In addition, the family offers excellent ac performance with 230-MHz bandwidth, 975-V/ μs slew rate and harmonic distortion (THD) at -90 dBc at 5 MHz.

APPLICATIONS

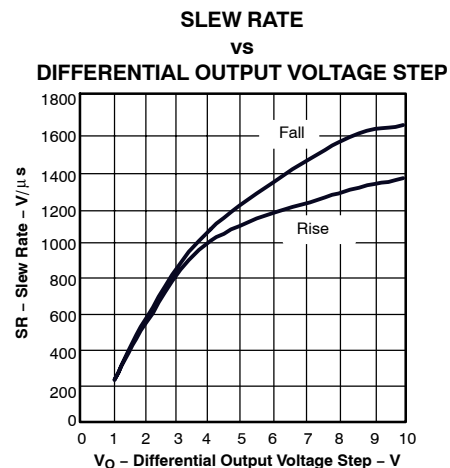
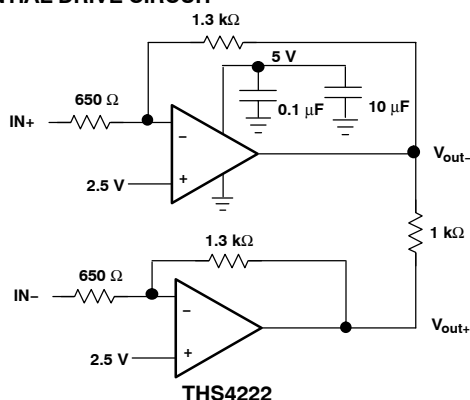
- **Low-Voltage Analog-to-Digital Converter Preamplifier**
- **Active Filtering**
- **Video Applications**



RELATED DEVICES

| DEVICE | DESCRIPTION |
|---------|---|
| THS4211 | 1 GHz, 800 V/ μs , $V_n = 7\text{ nV}/\sqrt{\text{Hz}}$ |
| THS4271 | 1.4 GHz, 900 V/ μs , $V_n = 3\text{ nV}/\sqrt{\text{Hz}}$ |
| OPA354 | 250 MHz, 150 V/ μs , $V_n = 6.5\text{ nV}/\sqrt{\text{Hz}}$ |
| OPA690 | 500 MHz, 1800 V/ μs , $V_n = 5.5\text{ nV}/\sqrt{\text{Hz}}$ |

DIFFERENTIAL DRIVE CIRCUIT



Please be aware that an important notice concerning availability, standard warranty, and use in critical applications of Texas Instruments semiconductor products and disclaimers thereto appears at the end of this data sheet.

ABSOLUTE MAXIMUM RATINGS

over operating free-air temperature range unless otherwise noted⁽¹⁾

| | | UNIT | |
|--|-----|------------------------------|--------|
| Supply voltage, V_S | | 16.5 V | |
| Input voltage, V_I | | $\pm V_S$ | |
| Output current, I_O | | 100 mA | |
| Differential input voltage, V_{ID} | | 4 V | |
| Continuous power dissipation | | See Dissipation Rating Table | |
| Maximum junction temperature, T_J | | 150°C | |
| Maximum junction temperature, continuous operation, long term reliability T_J ⁽²⁾ | | 125°C | |
| Storage temperature range, T_{stg} | | -65°C to 150°C | |
| Lead temperature 1.6 mm (1/16 inch) from case for 10 seconds | | 300°C | |
| ESD ratings: | HBM | THS4221/5 | 2500 V |
| | | THS4222/6 | 3000 V |
| | CDM | | 1500 V |
| | MM | THS4221/5 | 150 V |
| | | THS4222/6 | 200 V |

- ⁽¹⁾ The absolute maximum ratings under any condition is limited by the constraints of the silicon process. Stresses above these ratings may cause permanent damage. Exposure to absolute maximum conditions for extended periods may degrade device reliability. These are stress ratings only, and functional operation of the device at these or any other conditions beyond those specified is not implied.
- ⁽²⁾ The maximum junction temperature for continuous operation is limited by package constraints. Operation above this temperature may result in reduced reliability and/or lifetime of the device.



This integrated circuit can be damaged by ESD. Texas Instruments recommends that all integrated circuits be handled with appropriate precautions. Failure to observe proper handling and installation procedures can cause damage.

ESD damage can range from subtle performance degradation to complete device failure. Precision integrated circuits may be more susceptible to damage because very small parametric changes could cause the device not to meet its published specifications.

PACKAGE DISSIPATION RATINGS

| PACKAGE | Θ_{JC} (°C/W) | Θ_{JA} ⁽¹⁾ (°C/W) | POWER RATING ⁽²⁾ | |
|-------------------------|-------------------------|--|-----------------------------|--------------------------|
| | | | $T_A \leq 25^\circ\text{C}$ | $T_A = 85^\circ\text{C}$ |
| DBV (5) | 55 | 255.4 | 391 mW | 156 mW |
| D (8) | 38.3 | 97.5 | 1.02 W | 410 mW |
| DGN (8) ⁽³⁾ | 4.7 | 58.4 | 1.71 W | 685 mW |
| DGK (8) | 54.2 | 260 | 385 mW | 154 mW |
| DGQ (10) ⁽³⁾ | 4.7 | 58 | 1.72 W | 690 mW |

- ⁽¹⁾ This data was taken using the JEDEC standard High-K test PCB.
- ⁽²⁾ Power rating is determined with a junction temperature of 125°C. This is the point where distortion starts to substantially increase. Thermal management of the final PCB should strive to keep the junction temperature at or below 125°C for best performance and long term reliability.
- ⁽³⁾ The THS422x may incorporate a PowerPAD on the underside of the chip. This acts as a heatsink and must be connected to a thermally dissipative plane for proper power dissipation. Failure to do so may result in exceeding the maximum junction temperature which could permanently damage the device. See TI technical brief SLMA002 and SLMA004 for more information about utilizing the PowerPAD thermally enhanced package.

RECOMMENDED OPERATING CONDITIONS

| | | MIN | MAX | UNIT |
|---|---------------|----------------|----------------|------|
| Supply voltage, (V_{S+} and V_{S-}) | Dual supply | ± 1.35 | ± 7.5 | V |
| | Single supply | 2.7 | 15 | |
| Input common-mode voltage range | | $V_{S-} + 1.1$ | $V_{S+} - 1.1$ | V |

THS4221 AND THS4225 SINGLE PACKAGE/ORDERING INFORMATION

| PACKAGED DEVICES | | | | | | |
|------------------------------|-----------------------|-----|--|-----|-----------------------------|-----|
| PLASTIC SMALL OUTLINE (D) | SOT-23 ⁽¹⁾ | | PLASTIC MSOP ⁽²⁾ PowerPAD™ | | PLASTIC MSOP ⁽²⁾ | |
| | (DBV) | SYM | (DGN) | SYM | (DGK) | SYM |
| THS4221D | THS4221DBV | BFS | THS4221DGN | BFT | THS4221DGK | BHX |
| THS4225D | — | — | THS4225DGN | BFU | THS4225DGK | BFY |

- ⁽¹⁾ All packages are available taped and reeled. The R suffix standard quantity is 3000. The T suffix standard quantity is 250 (e.g., THS4221DBVT).
- ⁽²⁾ All packages are available taped and reeled. The R suffix standard quantity is 2500 (e.g., THS4221DGNR).

THS4222 AND THS4226 DUAL PACKAGE/ORDERING INFORMATION

| PACKAGED DEVICES | | | | | | |
|---|---------------------------|-----|------------|-----|------------------|-----|
| PLASTIC SMALL OUTLINE (D) ⁽¹⁾ | PLASTIC MSOP PowerPAD™(1) | | | | PLASTIC MSOP™(1) | |
| | (DGN) | SYM | (DGQ) | SYM | (DGK) | SYM |
| THS4222D | THS4222DGN | BFO | — | — | THS4222DGK | BHW |
| — | — | — | THS4226DGQ | BFP | — | — |

(1) All packages are available taped and reeled. The R suffix standard quantity is 2500 (e.g., THS4222DGNR).

ELECTRICAL CHARACTERISTICS

$V_S = \pm 5\text{ V}$, $R_L = 499\ \Omega$, and $G = 1$ unless otherwise noted

| PARAMETER | TEST CONDITIONS | TYP | OVER TEMPERATURE | | | | UNITS | MIN/ MAX |
|-------------------------------------|--|---------|------------------|----------------|------------------|------------------------------|-------|-------------|
| | | 25°C | 25°C | 0°C to 70°C | -40°C to 85°C | | | |
| AC PERFORMANCE | | | | | | | | |
| Small signal bandwidth | $G = 1$, $P_{IN} = -7\text{ dBm}$ | 230 | | | | MHz | Typ | |
| | $G = 2$, $P_{IN} = -13\text{ dBm}$, $R_f = 1.3\text{ k}\Omega$ | 100 | | | | MHz | Typ | |
| | $G = 5$, $P_{IN} = -21\text{ dBm}$, $R_f = 2\text{ k}\Omega$ | 25 | | | | MHz | Typ | |
| | $G = 10$, $P_{IN} = -27\text{ dBm}$, $R_f = 2\text{ k}\Omega$ | 12 | | | | MHz | Typ | |
| 0.1 dB flat bandwidth | $G = 2$, $P_{IN} = -13\text{ dBm}$, $R_f = 1.3\text{ k}\Omega$ | 40 | | | | MHz | Typ | |
| Gain bandwidth product | $G > 10$, $f = 1\text{ MHz}$, $R_f = 2\text{ k}\Omega$ | 120 | | | | MHz | Typ | |
| Full-power bandwidth | $G = 1$, $V_O = \pm 2.5\text{ V}$ | 65 | | | | MHz | Typ | |
| Slew rate | $G = -1$, $V_O = \pm 2.5\text{ Vpp}$ | 990 | | | | V/ μs | Min | |
| | $G = 1$, $V_O = \pm 2.5\text{ Vpp}$ | 975 | | | | V/ μs | Min | |
| Settling time to 0.1% | $G = -1$, $V_O = \pm 2\text{ Vpp}$ | 25 | | | | ns | Typ | |
| Settling time to 0.01% | $G = -1$, $V_O = \pm 2\text{ Vpp}$ | 52 | | | | ns | Typ | |
| Harmonic distortion | $G = 1$, $V_O = 2\text{ Vpp}$, $f = 5\text{ MHz}$ | | | | | | | |
| Second harmonic distortion | $R_L = 499\ \Omega$ | -90 | | | | dBc | Typ | |
| | $R_L = 150\ \Omega$ | -92 | | | | dBc | Typ | |
| Third harmonic distortion | $R_L = 499\ \Omega$ | -100 | | | | dBc | Typ | |
| | $R_L = 150\ \Omega$ | -96 | | | | dBc | Typ | |
| Differential gain (NTSC, PAL) | $G = 2$, $R = 150\ \Omega$ | 0.007 | | | | % | Typ | |
| Differential phase (NTSC, PAL) | $G = 2$, $R = 150\ \Omega$ | 0.007 | | | | ° | Typ | |
| Input voltage noise | $f = 1\text{ MHz}$ | 13 | | | | nV/ $\sqrt{\text{Hz}}$ | Typ | |
| Input current noise | $f = 1\text{ MHz}$ | 0.8 | | | | pA/ $\sqrt{\text{Hz}}$ | Typ | |
| Crosstalk (dual only) | $f = 5\text{ MHz}$ Ch-to-Ch | -90 | | | | dB | Typ | |
| DC PERFORMANCE | | | | | | | | |
| Open-loop voltage gain (A_{OL}) | $V_O = \pm 2\text{ V}$ | 100 | 80 | 75 | 75 | dB | Min | |
| Input offset voltage | $V_{CM} = 0\text{ V}$ | 3 | 10 | 16 | 16 | mV | Max | |
| Average offset voltage drift | $V_{CM} = 0\text{ V}$ | | | ± 20 | ± 20 | $\mu\text{V}/^\circ\text{C}$ | Typ | |
| Input bias current | $V_{CM} = 0\text{ V}$ | 0.9 | 3 | 5 | 5 | μA | Max | |
| Average offset voltage drift | $V_{CM} = 0\text{ V}$ | | | ± 10 | ± 10 | $\mu\text{V}/^\circ\text{C}$ | Typ | |
| Input offset current | $V_{CM} = 0\text{ V}$ | 100 | 500 | 700 | 700 | nA | Max | |
| Average offset current drift | $V_{CM} = 0\text{ V}$ | | | ± 10 | ± 10 | nA/ $^\circ\text{C}$ | Typ | |
| INPUT CHARACTERISTICS | | | | | | | | |
| Common-mode input range | | -4 / 4 | -3.9 / 3.9 | | | V | Min | |
| Common-mode rejection ratio | $V_{CM} = \pm 2\text{ V}$ | 94 | 74 | 69 | 69 | dB | Min | |
| Input resistance | | 33 | | | | M Ω | Typ | |
| Input capacitance | Common-mode / differential | 1 / 0.5 | | | | pF | Max | |

ELECTRICAL CHARACTERISTICS

$V_S = \pm 5\text{ V}$, $R_L = 499\ \Omega$, and $G = 1$ unless otherwise noted

| PARAMETER | TEST CONDITIONS | TYP | OVER TEMPERATURE | | | | UNITS | MIN/ MAX |
|---|--|------------|------------------|----------------|------------------|---------------|-------|-------------|
| | | 25°C | 25°C | 0°C to 70°C | -40°C to 85°C | | | |
| OUTPUT CHARACTERISTICS | | | | | | | | |
| Output voltage swing | $R_L = 499\ \Omega$ | -4.7 / 4.7 | -4.5 / 4.5 | -4.4 / 4.4 | -4.4 / 4.4 | V | Min | |
| | $R_L = 2\ \text{k}\Omega$ | -4.8 / 4.8 | | | | V | Min | |
| Output current (sourcing) | $R_L = 10\ \Omega$ | 100 | 92 | 88 | 88 | mA | Min | |
| Output current (sinking) | $R_L = 10\ \Omega$ | -100 | -92 | -88 | -88 | mA | Min | |
| Output impedance | $f = 1\ \text{MHz}$ | 0.02 | | | | Ω | Typ | |
| POWER SUPPLY | | | | | | | | |
| Specified operating voltage | | ± 5 | ± 7.5 | ± 7.5 | ± 7.5 | V | Max | |
| Maximum quiescent current | Per channel | 14 | 18 | 20 | 22 | mA | Max | |
| Power supply rejection ($\pm\text{PSRR}$) | | 75 | 62 | 60 | 60 | dB | Min | |
| POWER-DOWN CHARACTERISTICS | | | | | | | | |
| Maximum power-down current | $\overline{\text{PD}} \leq \text{REF} + 1.0\ \text{V}$, $\text{REF} = 0\ \text{V}$, Per channel | 700 | 900 | 1000 | 1000 | μA | Max | |
| Power-down voltage level ⁽¹⁾ | $\text{REF} = 0\ \text{V}$, or V_{S-} | Enable | | REF+1.8 | | V | Min | |
| | | Power down | | REF+1 | | V | Max | |
| | $\text{REF} = V_{S+}$ or floating | Enable | | REF-1 | | V | Min | |
| | | Power down | | REF-1.5 | | V | Max | |
| Turnon time delay | 50% of final value | 200 | | | | ns | Typ | |
| Turnoff time delay | 50% of final value | 500 | | | | ns | Typ | |
| Input impedance | | 58 | | | | Ω | Typ | |
| Isolation | $f = 5\ \text{MHz}$ | 80 | | | | dB | Typ | |

⁽¹⁾ For detail information on the power-down circuit, refer to the powerdown section in the application information of this data sheet.

ELECTRICAL CHARACTERISTICS
 $V_S = 5\text{ V}$, $R_L = 499\ \Omega$, and $G = 1$ unless otherwise noted

| PARAMETER | TEST CONDITIONS | TYP | OVER TEMPERATURE | | | | UNITS | MIN/ MAX |
|-------------------------------------|--|-----------|------------------|----------------|------------------|------------------------------|-------|-------------|
| | | 25°C | 25°C | 0°C to 70°C | -40°C to 85°C | | | |
| AC PERFORMANCE | | | | | | | | |
| Small signal bandwidth | $G = 1$, $P_{IN} = -7\text{ dBm}$ | 200 | | | | MHz | Typ | |
| | $G = 2$, $P_{IN} = -13\text{ dBm}$, $R_f = 1.3\text{ k}\Omega$ | 100 | | | | MHz | Typ | |
| | $G = 5$, $P_{IN} = -21\text{ dBm}$, $R_f = 2\text{ k}\Omega$ | 25 | | | | MHz | Typ | |
| | $G = 10$, $P_{IN} = -27\text{ dBm}$, $R_f = 2\text{ k}\Omega$ | 12 | | | | MHz | Typ | |
| 0.1 dB flat bandwidth | $G = 2$, $P_{IN} = -13\text{ dBm}$, $R_f = 1.3\text{ k}\Omega$ | 50 | | | | MHz | Typ | |
| Gain bandwidth product | $G > 10$, $f = 1\text{ MHz}$, $R_f = 2\text{ k}\Omega$ | 120 | | | | MHz | Typ | |
| Full-power bandwidth | $G = 1$, $V_O = \pm 2\text{ V}$ | 40 | | | | MHz | Typ | |
| Slew rate | $G = -1$, $V_O = \pm 2\text{ Vpp}$ | 500 | | | | V/ μs | Min | |
| | $G = 1$, $V_O = \pm 2\text{ Vpp}$ | 550 | | | | V/ μs | Min | |
| Settling time to 0.1% | $G = -1$, $V_O = \pm 1\text{ Vpp}$ | 27 | | | | ns | Typ | |
| Settling time to 0.01% | $G = -1$, $V_O = \pm 1\text{ Vpp}$ | 48 | | | | ns | Typ | |
| Harmonic distortion | $G = 1$, $V_O = 2\text{ Vpp}$, $f = 5\text{ MHz}$ | | | | | | | |
| Second harmonic distortion | $R_L = 499\ \Omega$ | -90 | | | | dBc | Typ | |
| | $R_L = 150\ \Omega$ | -93 | | | | dBc | Typ | |
| Third harmonic distortion | $R_L = 499\ \Omega$ | -89 | | | | dBc | Typ | |
| | $R_L = 150\ \Omega$ | -91 | | | | dBc | Typ | |
| Differential gain (NTSC, PAL) | $G = 2$, $R = 150\ \Omega$ | 0.014 | | | | % | Typ | |
| Differential phase (NTSC, PAL) | $G = 2$, $R = 150\ \Omega$ | 0.011 | | | | ° | Typ | |
| Input voltage noise | $f = 1\text{ MHz}$ | 13 | | | | nV/ $\sqrt{\text{Hz}}$ | Typ | |
| Input current noise | $f = 1\text{ MHz}$ | 0.8 | | | | pA/ $\sqrt{\text{Hz}}$ | Typ | |
| Crosstalk (dual only) | $f = 5\text{ MHz}$ Ch-to-Ch | -90 | | | | dB | Typ | |
| DC PERFORMANCE | | | | | | | | |
| Open-loop voltage gain (A_{OL}) | $V_O = 1.5\text{ V}$ to 3.5 V | 100 | 80 | 75 | 75 | dB | Min | |
| Input offset voltage | $V_{CM} = 2.5\text{ V}$ | 3 | 10 | 16 | 16 | mV | Max | |
| Average offset voltage drift | $V_{CM} = 2.5\text{ V}$ | | | ± 20 | ± 20 | $\mu\text{V}/^\circ\text{C}$ | Typ | |
| Input bias current | $V_{CM} = 2.5\text{ V}$ | 0.9 | 3 | 5 | 5 | μA | Max | |
| Average offset voltage drift | $V_{CM} = 2.5\text{ V}$ | | | ± 10 | ± 10 | $\mu\text{V}/^\circ\text{C}$ | Typ | |
| Input offset current | $V_{CM} = 2.5\text{ V}$ | 100 | 500 | 700 | 700 | nA | Max | |
| Average offset current drift | $V_{CM} = 2.5\text{ V}$ | | | ± 10 | ± 10 | nA/ $^\circ\text{C}$ | Typ | |
| INPUT CHARACTERISTICS | | | | | | | | |
| Common-mode input range | | 1 / 4 | 1.1 / 3.9 | | | V | Min | |
| Common-mode rejection ratio | $V_{CM} = 1.5\text{ V}$ to 3.5 V | 96 | 74 | 69 | 69 | dB | Min | |
| Input resistance | | 33 | | | | M Ω | Typ | |
| Input capacitance | Common-mode / differential | 1 / 0.5 | | | | pF | Max | |
| OUTPUT CHARACTERISTICS | | | | | | | | |
| Output voltage swing | $R_L = 499\ \Omega$ | 0.2 / 4.8 | 0.3 / 4.7 | 0.4 / 4.6 | 0.4 / 4.6 | V | Min | |
| | $R_L = 2\text{ k}\Omega$ | 0.1 / 4.9 | | | | V | Min | |
| Output current (sourcing) | $R_L = 10\ \Omega$ | 95 | 85 | 80 | 80 | mA | Min | |
| Output current (sinking) | $R_L = 10\ \Omega$ | -95 | -85 | -80 | -80 | mA | Min | |
| Output impedance | $f = 1\text{ MHz}$ | 0.02 | | | | Ω | Typ | |

ELECTRICAL CHARACTERISTICS (continued)

$V_S = 5\text{ V}$, $R_L = 499\ \Omega$, and $G = 1$ unless otherwise noted

| PARAMETER | TEST CONDITIONS | TYP | OVER TEMPERATURE | | | | UNITS | MIN/ MAX |
|---|---|------------|------------------|----------------|------------------|---------------|-------|-------------|
| | | 25°C | 25°C | 0°C to 70°C | -40°C to 85°C | | | |
| POWER SUPPLY | | | | | | | | |
| Specified operating voltage | | 5 | 15 | 15 | 15 | V | Max | |
| Maximum quiescent current | Per channel | 12 | 15 | 17 | 19 | mA | Max | |
| Power supply rejection (\pm PSRR) | | 70 | 62 | 60 | 60 | dB | Min | |
| POWER-DOWN CHARACTERISTICS | | | | | | | | |
| Maximum power-down current | $\overline{PD} \leq \text{REF} + 1.0\text{ V}$, $\text{REF} = 0\text{ V}$, Per channel | 500 | 750 | 900 | 900 | μA | Max | |
| Power-down voltage level ⁽¹⁾ | REF = 0 V, or V_{S-} | Enable | | REF+1.8 | | V | Min | |
| | | Power down | | REF+1 | | V | Max | |
| | REF = V_{S+} or floating | Enable | | REF-1 | | V | Min | |
| | | Power down | | REF-1.5 | | V | Max | |
| Turnon time delay | 50% of final value | 200 | | | | ns | Typ | |
| Turnoff time delay | 50% of final value | 500 | | | | ns | Typ | |
| Input impedance | | 58 | | | | Ω | Typ | |
| Isolation | f = 5 MHz | 80 | | | | dB | Typ | |

⁽¹⁾ For detail information on the power-down circuit, refer to the powerdown section in the application information of this data sheet.

ELECTRICAL CHARACTERISTICS
 $V_S = 3.3\text{ V}$, $R_L = 499\ \Omega$, and $G = 1$ unless otherwise noted

| PARAMETER | TEST CONDITIONS | TYP | OVER TEMPERATURE | | | | UNITS | MIN/ MAX |
|-------------------------------------|---|-----------|------------------|----------------|------------------|--|------------------------------|-------------|
| | | 25°C | 25°C | 0°C to 70°C | -40°C to 85°C | | | |
| AC PERFORMANCE | | | | | | | | |
| Small signal bandwidth | $G = 1$, $P_{IN} = -7\text{ dBm}$ | 200 | | | | | MHz | Typ |
| | $G = 2$, $P_{IN} = -13\text{ dBm}$, $R_f = 1\text{ k}\Omega$ | 100 | | | | | MHz | Typ |
| | $G = 5$, $P_{IN} = -21\text{ dBm}$, $R_f = 2\text{ k}\Omega$ | 15 | | | | | MHz | Typ |
| | $G = 10$, $P_{IN} = -27\text{ dBm}$, $R_f = 2\text{ k}\Omega$ | 12 | | | | | MHz | Typ |
| 0.1 dB flat bandwidth | $G = 2$, $P_{IN} = -13\text{ dBm}$, $R_f = 1\text{ k}\Omega$ | 50 | | | | | MHz | Typ |
| Gain bandwidth product | $G > 10$, $f = 1\text{ MHz}$, $R_f = 1.5\text{ k}\Omega$ | 120 | | | | | MHz | Typ |
| Full-power bandwidth | $G = 1$, $V_O = 1.3\text{ V to } 2\text{ V}$ | 50 | | | | | MHz | Typ |
| Slew rate | $G = -1$, $V_O = 1.3\text{ V to } 2\text{ V}$ | 120 | | | | | V/ μs | Min |
| | $G = 1$, $V_O = 1.3\text{ V to } 2\text{ V}$ | 250 | | | | | V/ μs | Min |
| Harmonic distortion | $G = 2$, $V_O = 1\text{ V}_{pp}$, $f = 5\text{ MHz}$ | | | | | | | |
| Second harmonic distortion | $R_L = 499\ \Omega$ | -80 | | | | | dBc | Typ |
| | $R_L = 150\ \Omega$ | -79 | | | | | dBc | Typ |
| Third harmonic distortion | $R_L = 499\ \Omega$ | -91 | | | | | dBc | Typ |
| | $R_L = 150\ \Omega$ | -92 | | | | | dBc | Typ |
| Input voltage noise | $f = 1\text{ MHz}$ | 13 | | | | | nV/ $\sqrt{\text{Hz}}$ | Typ |
| Input current noise | $f = 1\text{ MHz}$ | 0.8 | | | | | pA/ $\sqrt{\text{Hz}}$ | Typ |
| Crosstalk (dual only) | $f = 5\text{ MHz Ch-to-Ch}$ | -90 | | | | | dB | Typ |
| DC PERFORMANCE | | | | | | | | |
| Open-loop voltage gain (A_{OL}) | $V_O = 1.35\text{ V to } 1.95\text{ V}$ | 98 | 80 | 75 | 75 | | dB | Min |
| Input offset voltage | $V_{CM} = 1.65\text{ V}$ | 3 | 10 | 16 | 16 | | mV | Max |
| Average offset voltage drift | $V_{CM} = 1.65\text{ V}$ | | | ± 20 | ± 20 | | $\mu\text{V}/^\circ\text{C}$ | Typ |
| Input bias current | $V_{CM} = 1.65\text{ V}$ | 0.9 | 3 | 5 | 5 | | μA | Max |
| Average offset voltage drift | $V_{CM} = 1.65\text{ V}$ | | | ± 10 | ± 10 | | $\mu\text{V}/^\circ\text{C}$ | Typ |
| Input offset current | $V_{CM} = 1.65\text{ V}$ | 100 | 500 | 700 | 700 | | nA | Max |
| Average offset current drift | $V_{CM} = 1.65\text{ V}$ | | | ± 10 | ± 10 | | nA/ $^\circ\text{C}$ | Typ |
| INPUT CHARACTERISTICS | | | | | | | | |
| Common-mode input range | | 1 / 2.3 | 1.1/2.2 | | | | V | Min |
| Common-mode rejection ratio | $V_{CM} = 1.35\text{ V to } 1.95\text{ V}$ | 92 | 74 | 69 | 69 | | dB | Min |
| Input resistance | | 33 | | | | | M Ω | Typ |
| Input capacitance | Common-mode / differential | 1 / 0.5 | | | | | pF | Max |
| OUTPUT CHARACTERISTICS | | | | | | | | |
| Output voltage swing | $R_L = 499\ \Omega$ | 0.15/3.15 | 0.3/3.0 | 0.35/2.95 | 0.35/2.95 | | V | Min |
| Output voltage swing | $R_L = 2\text{ k}\Omega$ | 0.1 / 3.2 | | | | | V | Min |
| Output current (sourcing) | $R_L = 20\ \Omega$ | 50 | 45 | 40 | 40 | | mA | Min |
| Output current (sinking) | $R_L = 20\ \Omega$ | -50 | -45 | -40 | -40 | | mA | Min |
| Output impedance | $f = 1\text{ MHz}$ | 0.02 | | | | | Ω | Typ |

ELECTRICAL CHARACTERISTICS (continued)

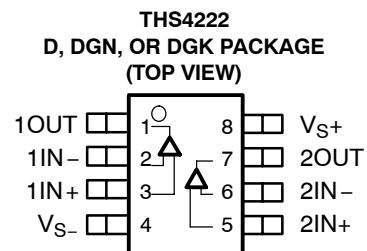
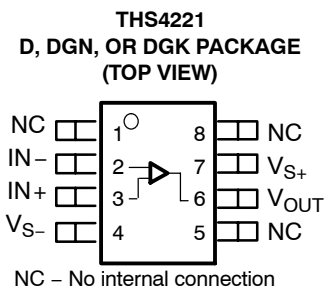
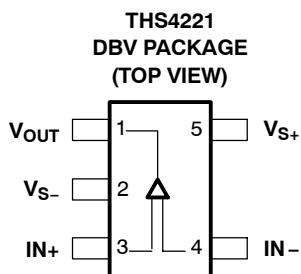
$V_S = 3.3\text{ V}$, $R_L = 499\ \Omega$, and $G = 1$ unless otherwise noted

| PARAMETER | TEST CONDITIONS | TYP | OVER TEMPERATURE | | | | UNITS | MIN/ MAX |
|---|---|------------|------------------|----------------|------------------|---------------|-------|-------------|
| | | 25°C | 25°C | 0°C to 70°C | -40°C to 85°C | | | |
| POWER SUPPLY | | | | | | | | |
| Specified operating voltage | | 3.3 | 15 | 15 | 15 | V | Max | |
| Maximum quiescent current | Per channel | 11 | 13 | 16 | 17 | mA | Max | |
| Power supply rejection (\pm PSRR) | | 65 | 60 | 55 | 55 | dB | Min | |
| POWER-DOWN CHARACTERISTICS | | | | | | | | |
| Maximum power-down current | $\overline{PD} \leq \text{REF} + 1.0\text{ V}$, $\text{REF} = 0\text{ V}$, Per channel | 500 | 700 | 800 | 800 | μA | Max | |
| Power-down voltage level ⁽¹⁾ | $\text{REF} = 0\text{ V}$, or V_{S-} | Enable | | REF+1.8 | | V | Min | |
| | | Power down | | REF+1 | | V | Max | |
| | $\text{REF} = V_{S+}$ or floating | Enable | | REF-1 | | V | Min | |
| | | Power down | | REF-1.5 | | V | Max | |
| Turnon time delay | 50% of final value | 200 | | | | ns | Typ | |
| Turnoff time delay | 50% of final value | 500 | | | | ns | Typ | |
| Input impedance | | 58 | | | | Ω | Typ | |
| Isolation | $f = 5\text{ MHz}$ | 80 | | | | dB | Typ | |

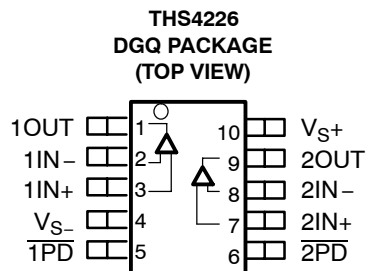
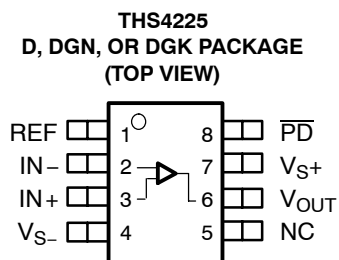
⁽¹⁾ For detail information on the power-down circuit, refer to the powerdown section in the application information of this data sheet.

PIN ASSIGNMENTS

NON-POWER DOWN PACKAGE DEVICES



POWER-DOWN PACKAGE DEVICES



NC – No internal connection

TYPICAL CHARACTERISTICS

TABLE OF GRAPHS

| | FIGURE |
|--|------------|
| Small signal frequency response | 1 |
| Slew rate vs Output voltage step | 2, 3 |
| Harmonic distortion vs Frequency | 4, 5, 8, 9 |
| Harmonic distortion vs Output voltage swing | 6, 7 |
| Voltage and current noise vs Frequency | 10 |
| Differential gain vs Number of loads | 11, 13 |
| Differential phase vs Number of loads | 12, 14 |
| Quiescent current vs Supply voltage | 15 |
| Output voltage vs Load resistance | 16 |
| Open-loop gain and phase vs Frequency | 17 |
| Open-loop gain vs Supply voltage | 18 |
| Rejection ratio vs Frequency | 19 |
| Rejection ratio vs Case temperature | 20 |
| Common-mode rejection ratio vs Input common-mode range | 21, 22 |
| Input offset voltage vs Case temperature | 23 |
| Input bias and offset current vs Case temperature | 24, 25 |
| Power-down quiescent current vs Supply voltage | 26 |
| Output impedance in power down vs Frequency | 27 |
| Crosstalk vs Frequency | 28 |

SMALL SIGNAL FREQUENCY RESPONSE

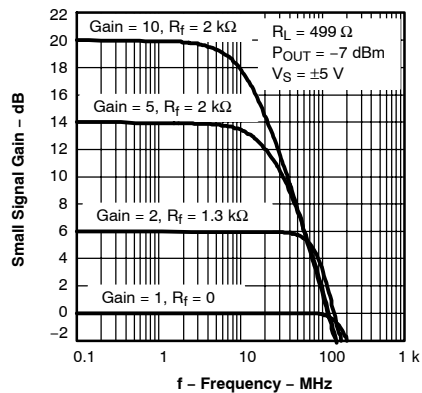


Figure 1

SLEW RATE
vs
OUTPUT VOLTAGE STEP

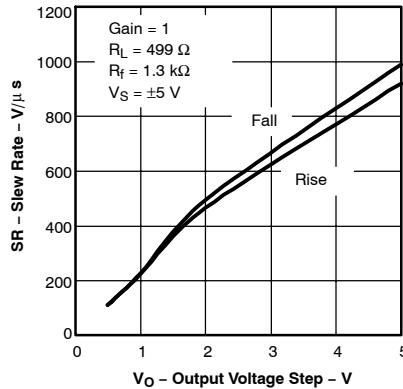


Figure 2

SLEW RATE
vs
OUTPUT VOLTAGE STEP

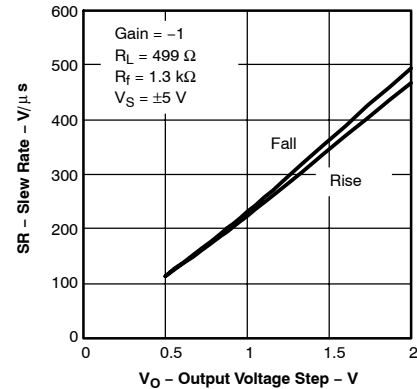


Figure 3

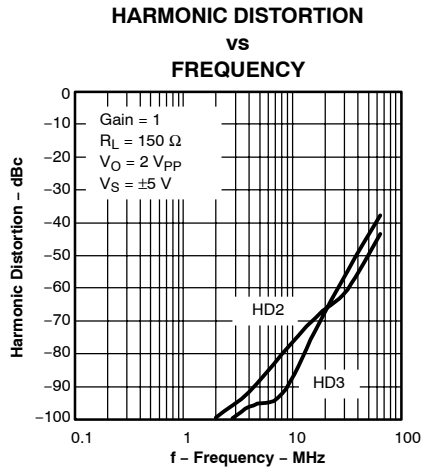


Figure 4

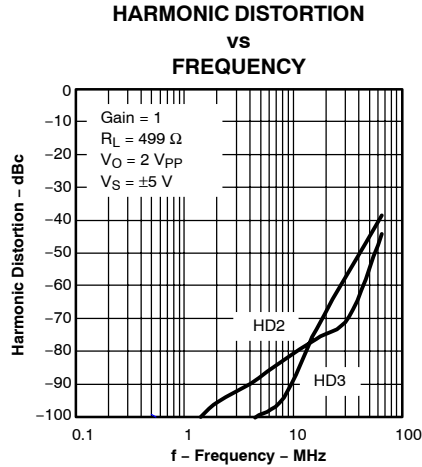


Figure 5

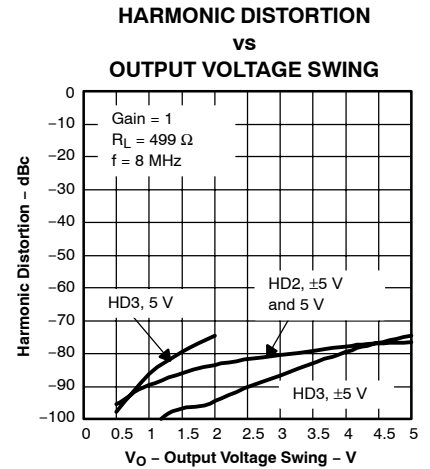


Figure 6

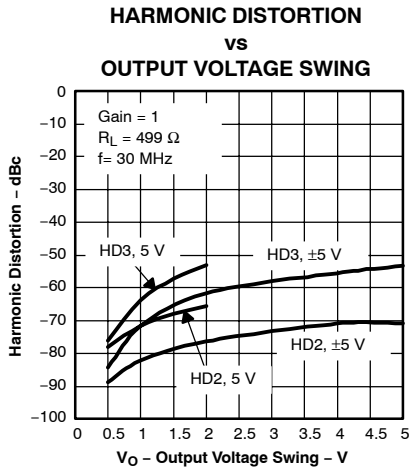


Figure 7

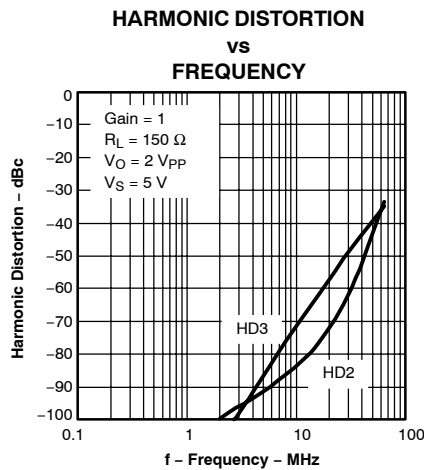


Figure 8

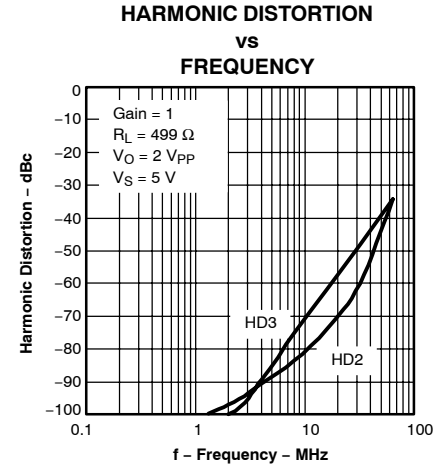


Figure 9

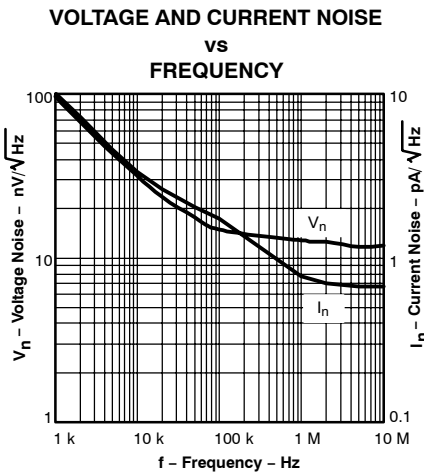


Figure 10

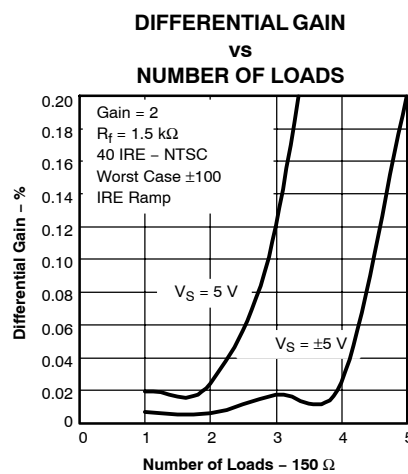


Figure 11

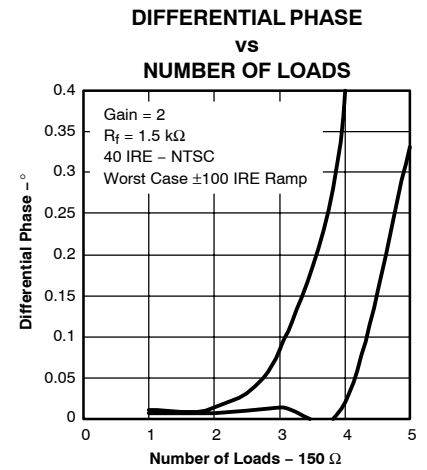


Figure 12

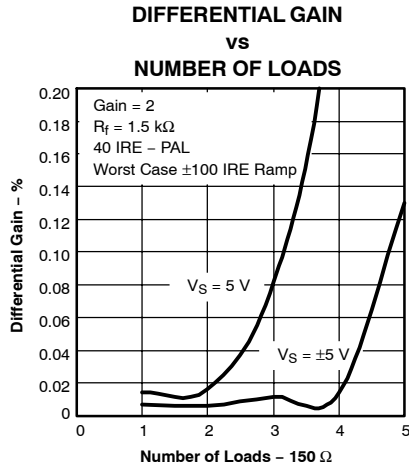


Figure 13

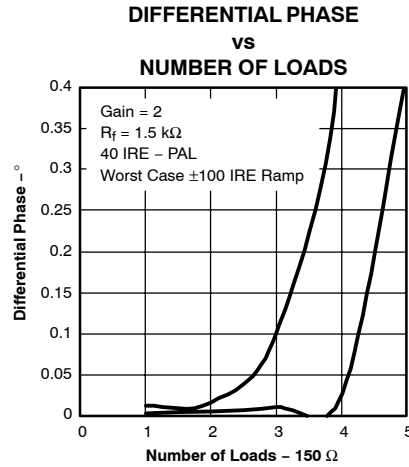


Figure 14

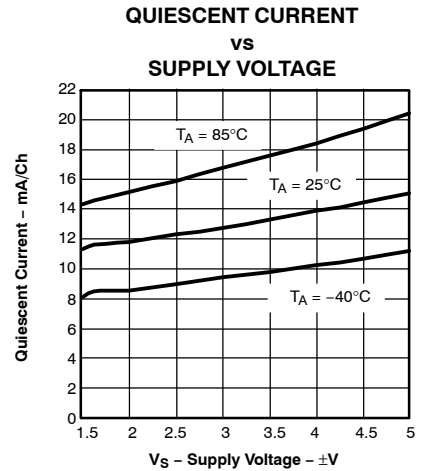


Figure 15

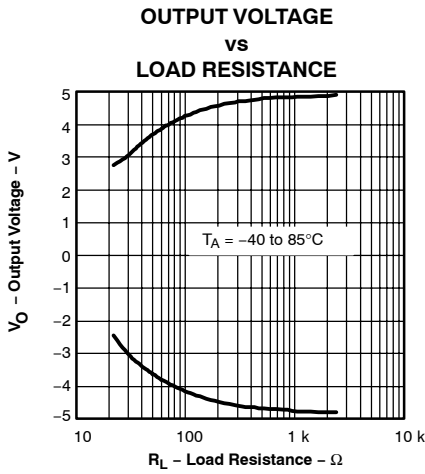


Figure 16

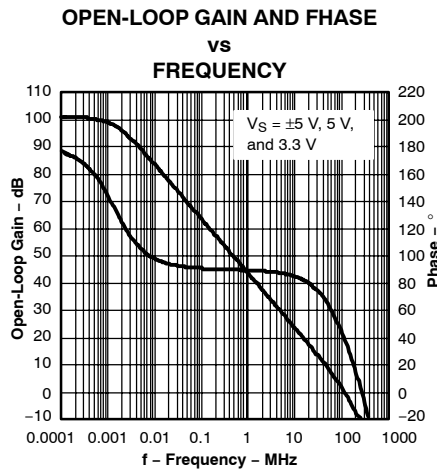


Figure 17

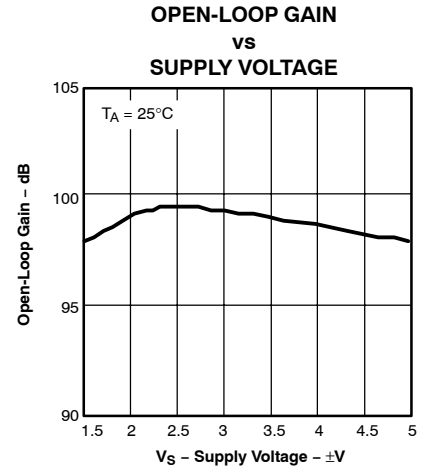


Figure 18

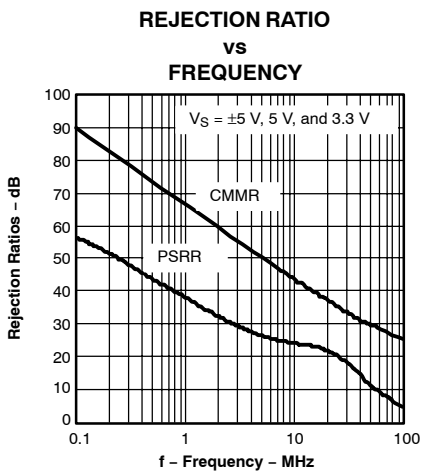


Figure 19

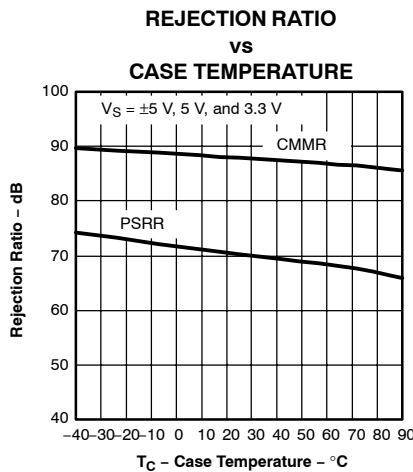


Figure 20

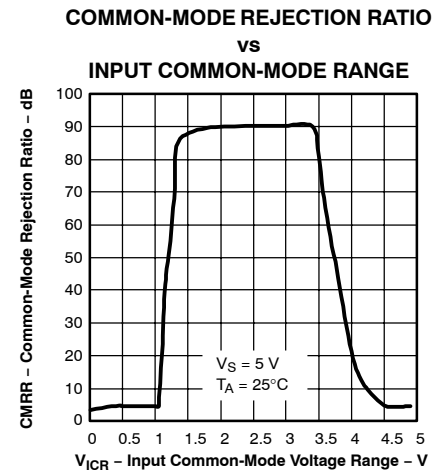


Figure 21

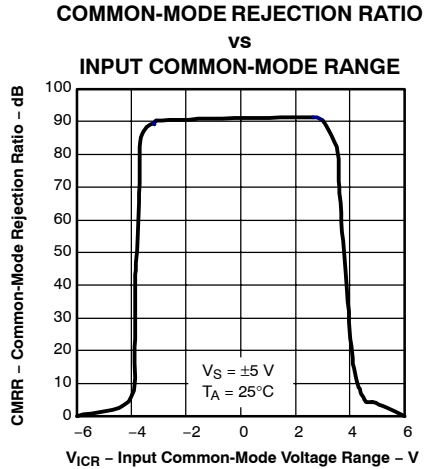


Figure 22

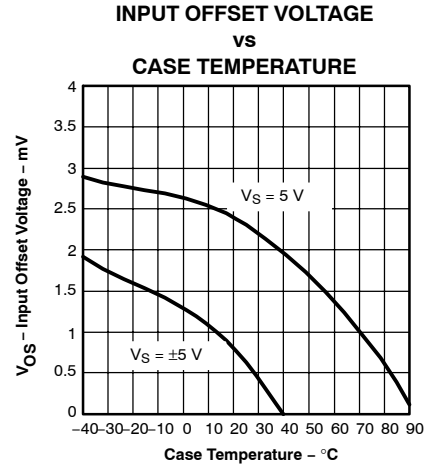


Figure 23

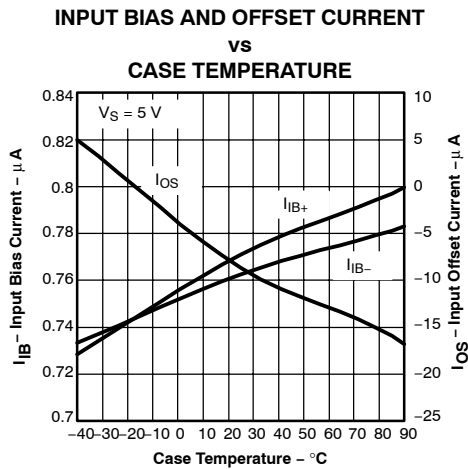


Figure 24

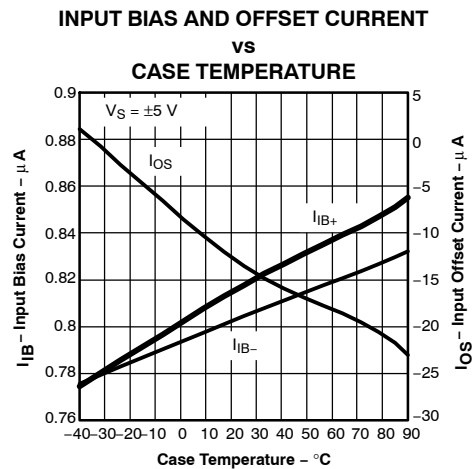


Figure 25

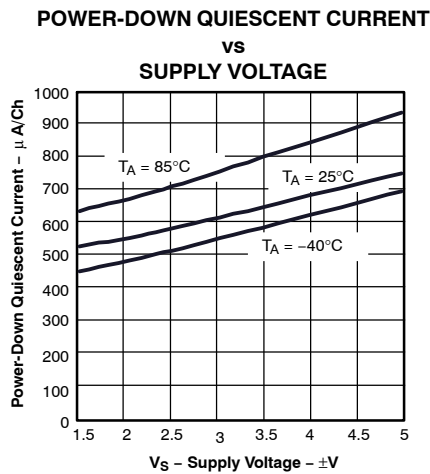


Figure 26

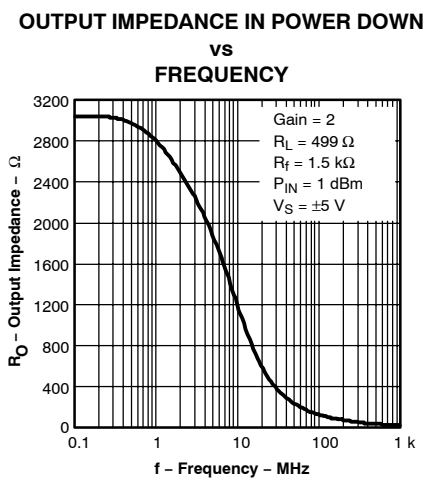


Figure 27

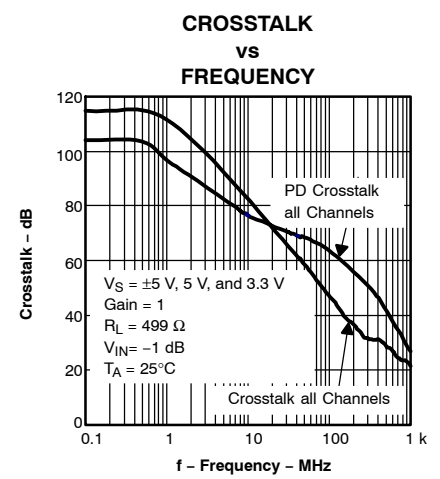


Figure 28

APPLICATION INFORMATION

HIGH-SPEED OPERATIONAL AMPLIFIERS

The THS4222 family of operational amplifiers is a family of single and dual, rail-to-rail output voltage feedback amplifiers. The THS4222 family combines both a high slew rate and a rail-to-rail output stage.

The THS4225 and THS4226 provides a power-down mode, providing the ability to save power when the amplifier is inactive. A reference pin is provided to allow the user the flexibility to control the threshold levels of the power-down control pin.

Applications Section Contents

- Wideband, Noninverting Operation
- Wideband, Inverting Gain Operation
- Single Supply Operation
- Saving Power With Power-Down Functionality and Setting Threshold Levels With the Reference Pin
- Power Supply Decoupling Techniques and Recommendations
- Driving an ADC With the THS4222
- Active Filtering With the THS4222
- An Abbreviated Analysis of Noise in Amplifiers
- Driving Capacitive Loads
- Printed Circuit Board Layout Techniques for Optimal Performance
- Power Dissipation and Thermal Considerations
- Evaluation Fixtures, Spice Models, and Applications Support
- Additional Reference Material
- Mechanical Package Drawings

WIDEBAND, NONINVERTING OPERATION

The THS4222 is a family of unity gain stable rail-to-rail output voltage feedback operational amplifiers, with and without power-down capability, designed to operate from a single 3-V to 15-V power supply.

Figure 29 is the noninverting gain configuration of 2 V/V used to demonstrate the typical performance curves.

Voltage feedback amplifiers, unlike current feedback designs, can use a wide range of resistors values to set their gain with minimal impact on their stability and frequency response. Larger-valued resistors decrease the loading effect of the feedback network on the output of the amplifier, but this enhancement comes at the expense of additional noise and potentially lower bandwidth. Feedback resistor values between 1 k Ω and 2 k Ω are recommended for most situations.

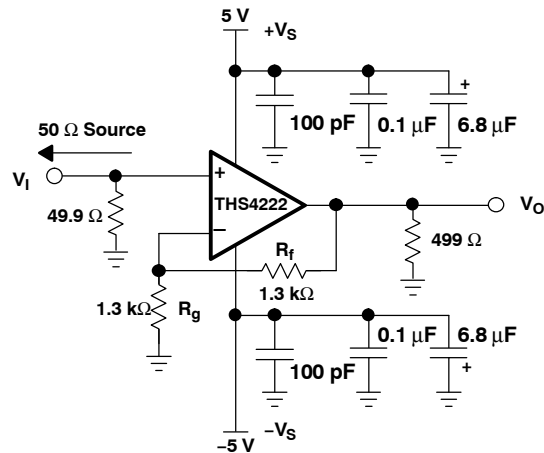


Figure 29. Wideband, Noninverting Gain Configuration

WIDEBAND, INVERTING OPERATION

Since the THS4222 family are general-purpose, wideband voltage-feedback amplifiers, several familiar operational amplifier applications circuits are available to the designer. Figure 30 shows a typical inverting configuration where the input and output impedances and noise gain from Figure 29 are retained in an inverting circuit configuration. Inverting operation is one of the more common requirements and offers several performance benefits. The inverting configuration shows improved slew rates and distortion due to the pseudo-static voltage maintained on the inverting input.

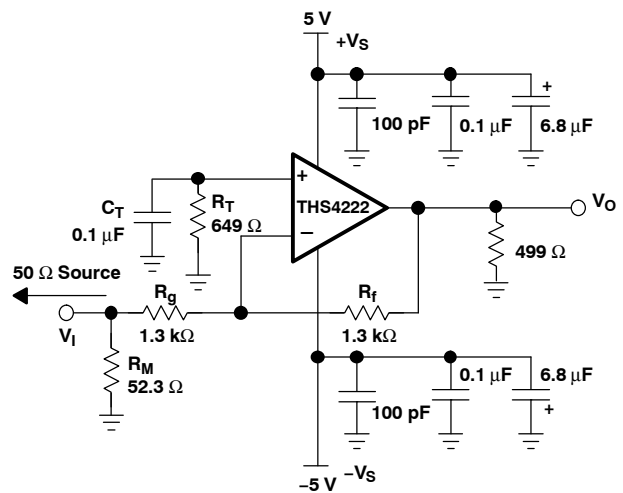


Figure 30. Wideband, Inverting Gain Configuration

In the inverting configuration, some key design considerations must be noted. One is that the gain resistor (R_g) becomes part of the signal channel input impedance. If the input impedance matching is desired (which is beneficial whenever the signal is coupled through a cable, twisted pair, long PC board trace, or other transmission line conductors), R_g may be set equal to the required termination value and R_f adjusted to give the desired gain. However, care must be taken when dealing with low inverting gains, as the resultant feedback resistor value can present a significant load to the amplifier output. For an inverting gain of 2, setting R_g to $49.9\ \Omega$ for input matching eliminates the need for R_M but requires a $100\text{-}\Omega$ feedback resistor. This has an advantage of the noise gain becoming equal to 2 for a $50\text{-}\Omega$ source impedance—the same as the noninverting circuit in Figure 29. However, the amplifier output now sees the $100\text{-}\Omega$ feedback resistor in parallel with the external load. To eliminate this excessive loading, it is preferable to increase both R_g and R_f values, as shown in Figure 30, and then achieve the input matching impedance with a third resistor (R_M) to ground. The total input impedance becomes the parallel combination of R_g and R_M .

The last major consideration to discuss in inverting amplifier design is setting the bias current cancellation resistor on the noninverting input. If the resistance is set equal to the total dc resistance looking out of the inverting terminal, the output dc error, due to the input bias currents, is reduced to (input offset current) multiplied by R_f in Figure 30, the dc source impedance looking out of the inverting terminal is $1.3\ \text{k}\Omega \parallel (1.3\ \text{k}\Omega + 25.6\ \Omega) = 649\ \Omega$. To reduce the additional high-frequency noise introduced by the resistor at the noninverting input, and power-supply feedback, R_T is bypassed with a capacitor to ground.

SINGLE SUPPLY OPERATION

The THS4222 is designed to operate from a single 3-V to 15-V power supply. When operating from a single power supply, care must be taken to ensure the input signal and amplifier are biased appropriately to allow for the maximum output voltage swing. The circuits shown in Figure 31 demonstrate methods to configure an amplifier in a manner conducive for single supply operation.

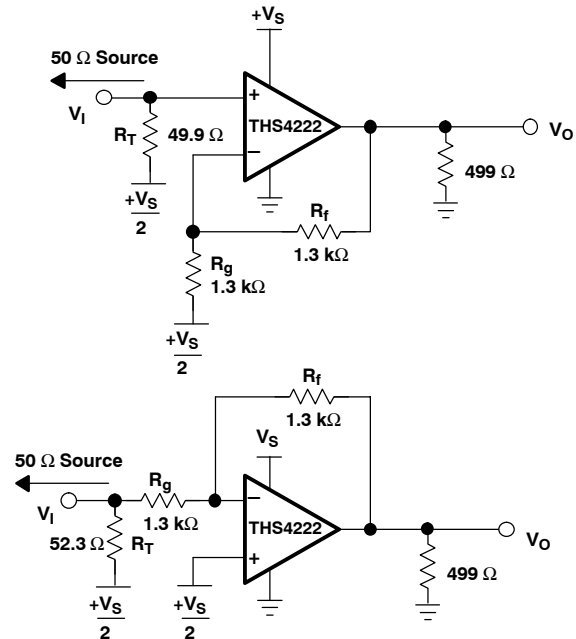


Figure 31. DC-Coupled Single Supply Operation
Saving Power With Power-Down Functionality
and Setting Threshold Levels With the Reference Pin

The THS4225 and THS4226 feature a power-down pin ($\overline{\text{PD}}$) which lowers the quiescent current from 14 mA/ch down to 700 $\mu\text{A}/\text{ch}$, ideal for reducing system power.

The power-down pin of the amplifiers defaults to the positive supply voltage in the absence of an applied voltage, putting the amplifier in the *power-on* mode of operation. To turn off the amplifier in an effort to conserve power, the power-down pin can be driven towards the negative rail. The threshold voltages for power-on and power-down are relative to the supply rails and given in the specification tables. Above the *Enable Threshold Voltage*, the device is on. Below the *Disable Threshold Voltage*, the device is off. Behavior in between these threshold voltages is not specified.

Note that this power-down functionality is just that; the amplifier consumes less power in power-down mode. The power-down mode is not intended to provide a high-impedance output. In other words, the power-down functionality is not intended to allow use as a 3-state bus driver. When in power-down mode, the impedance looking back into the output of the amplifier is dominated by the feedback and gain setting resistors, but the output impedance of the device itself varies depending on the voltage applied to the outputs.

The time delays associated with turning the device on and off are specified as the time it takes for the amplifier to reach 50% of the nominal quiescent current. The time delays are on the order of microseconds because the amplifier moves in and out of the linear mode of operation in these transitions.

Power-Down Reference Pin Operation

In addition to the power-down pin, the THS4225 features a reference pin (REF) which allows the user to control the enable or disable power-down voltage levels applied to the $\overline{\text{PD}}$ pin. Operation of the reference pin as it relates to the power-down pin is described below.

In most split-supply applications, the reference pin is connected to ground. In some cases, the user may want to connect it to the negative or positive supply rail. In either case, the user needs to be aware of the voltage level thresholds that apply to the power-down pin. The tables below show examples and illustrate the relationship between the reference voltage and the power-down thresholds.

| POWER-DOWN THRESHOLD VOLTAGE LEVELS (REF ≤ Midrail) | | | |
|---|---------------------------|------------------|-------------------|
| SUPPLY VOLTAGE (V) | REFERENCE PIN VOLTAGE (V) | ENABLE LEVEL (V) | DISABLE LEVEL (V) |
| ±5 | GND | ≥ 1.8 | ≤ 1 |
| | -2.5 | ≥ -0.7 | ≤ -1.5 |
| | -5 | ≥ -3.2 | ≤ -4 |
| 5 | GND | ≥ 1.8 | ≤ 1 |
| | 1 | ≥ 2.8 | ≤ 2 |
| | 2.5 | ≥ 4.3 | ≤ 3.5 |
| 3.3 | GND | ≥ 1.8 | ≤ 1 |

In the above table, the threshold levels are derived by the following equations:

REF + 1.8 V for enable
 REF + 1 V for disable

Note that in order to maintain these threshold levels, the reference pin can be any voltage between V_{s-} or GND up to $V_{s+}/2$ (mid rail).

For 3.3-V operation, the reference pin must be connected to the most negative rail (for single supply this is GND).

| POWER-DOWN THRESHOLD VOLTAGE LEVELS (REF > Midrail) | | | |
|---|---------------------------|------------------|-------------------|
| SUPPLY VOLTAGE (V) | REFERENCE PIN VOLTAGE (V) | ENABLE LEVEL (V) | DISABLE LEVEL (V) |
| ±5 | Floating or 5 | ≥ 4 | ≤ 3.5 |
| | 2.5 | ≥ 1.5 | ≤ 1 |
| | 1 | ≥ 0 | ≤ -0.5 |
| 5 | Floating or 5 | ≥ 4 | ≤ 3.5 |
| | 4 | ≥ 3 | ≤ 2.5 |
| | 3.5 | ≥ 2.5 | ≤ 2 |
| 3.3 | Floating or 3.3 | ≥ 2.7 | ≤ 1.8 |

In the above table, the threshold levels are derived by the following equations:

REF – 1 V for enable
 REF – 1.5 V for disable

Note that in order to maintain these threshold levels, the reference pin can be any voltage between $(V_{s+}/2) + 1$ V to V_{s+} or left floating. The reference pin is internally connected to the positive rail, therefore it can be left floating to maintain these threshold levels.

For 3.3-V operation, the reference pin must be connected to the positive rail or left floating.

The recommended mode of operation is to tie the reference pin to midrail, thus setting the threshold levels to midrail +1.0 V and midrail +1.8 V.

| NO. OF CHANNELS | PACKAGES |
|-----------------|----------------------|
| Single (8-pin) | THS4225D, THS4225DGN |

Power Supply Decoupling Techniques and Recommendations

Power supply decoupling is a critical aspect of any high-performance amplifier design process. Careful decoupling provides higher quality ac performance (most notably improved distortion performance). The following guidelines ensure the highest level of performance.

1. Place decoupling capacitors as close to the power supply inputs as possible, with the goal of minimizing the inductance of the path from ground to the power supply.
2. Placement priority should put the smallest valued capacitors closest to the device.
3. Use of solid power and ground planes is recommended to reduce the inductance along power supply return current paths, with the exception of the areas underneath the input and output pins.
4. Recommended values for power supply decoupling include a bulk decoupling capacitor (6.8 to 22 μF), a mid-range decoupling capacitor (0.1 μF) and a high frequency decoupling capacitor (1000 pF) for each supply. A 100 pF capacitor can be used across the supplies as well for extremely high frequency return currents, but often is not required.

APPLICATION CIRCUITS

Driving an Analog-to-Digital Converter With the THS4222

The THS4222 can be used to drive high-performance analog-to-digital converters. Two example circuits are presented below.

The first circuit uses a wideband transformer to convert a single-ended input signal into a differential signal. The differential signal is then amplified and filtered by two THS4222 amplifiers. This circuit provides low intermodulation distortion, suppressed even-order distortion, 14 dB of voltage gain, a 50-Ω input impedance, and a single-pole filter at 25 MHz. For applications without signal content at dc, this method of driving ADCs can be very useful. Where dc information content is required, the THS4500 family of fully differential amplifiers may be applicable.

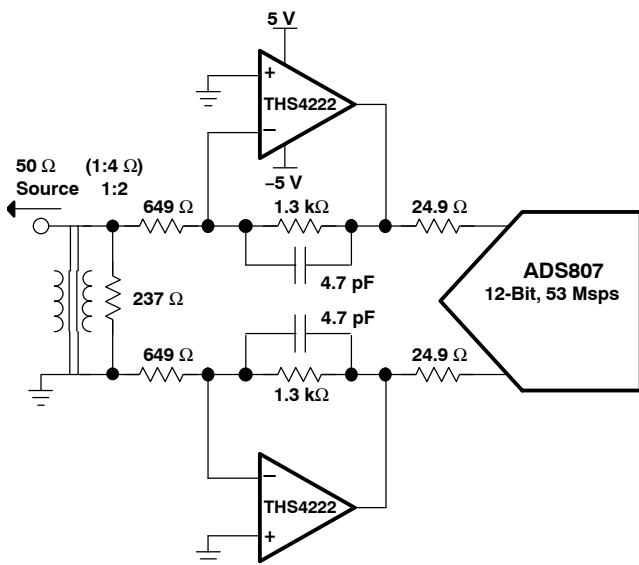
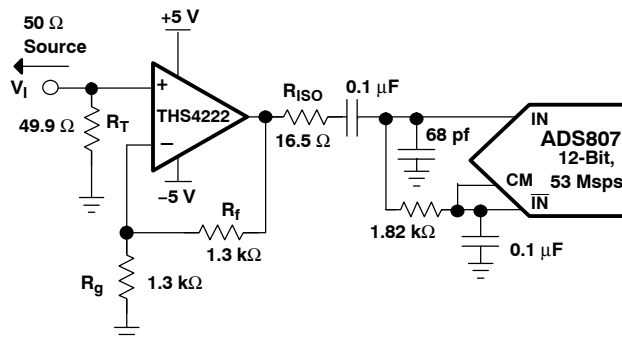


Figure 32. A Linear, Low Noise, High Gain ADC Preamplifier

The second circuit depicts single-ended ADC drive. While not recommended for optimum performance using converters with differential inputs, satisfactory

performance can sometimes be achieved with single-ended input drive. An example circuit is shown here for reference.



NOTE: For best performance, high-speed ADCs should be driven differentially. See the THS4500 family of devices for more information.

Figure 33. Driving an ADC With a Single-Ended Input

Active Filtering With the THS4222

High-frequency active filtering with the THS4222 is achievable due to the amplifier's high slew rate, wide bandwidth, and voltage feedback architecture. Several options are available for high-pass, low-pass, bandpass, and bandstop filters of varying orders. A simple two-pole low pass filter is presented here as an example, with two poles at about 25 MHz.

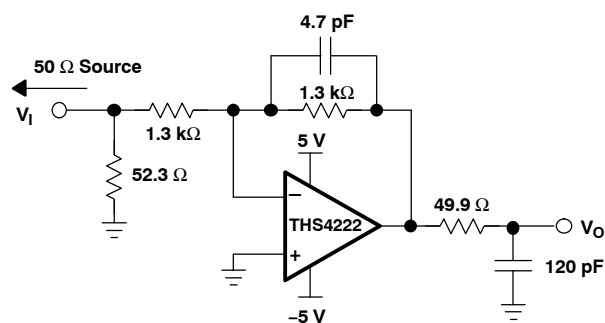


Figure 34. A Two-Pole Active Filter With Two Poles at about 25 MHz

NOISE ANALYSIS

High slew rates, stable unity gain, voltage-feedback operational amplifiers usually achieve their slew rate at the expense of a higher input noise voltage. The input-referred voltage noise, and the two input-referred current noise terms, combine to give low output noise under a wide variety of operating conditions. Figure 35 shows the amplifier noise analysis model with all the noise terms included. In this model, all noise terms are taken to be noise voltage or current density terms in either nV/\sqrt{Hz} or pA/\sqrt{Hz} .

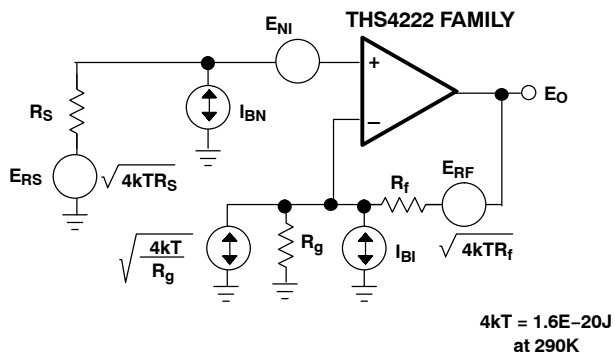


Figure 35. Noise Analysis Model

The total output shot noise voltage can be computed as the square of all squares output noise voltage contributors. Equation 1 shows the general form for the output noise voltage using the terms shown in Figure 35:

$$E_O = \sqrt{\left(E_{NI}^2 + (I_{BN}R_S)^2 + 4kTR_S\right)NG^2 + (I_{BI}R_f)^2 + 4kTR_f}NG$$

Dividing this expression by the noise gain ($NG=(1+R_f/R_g)$) gives the equivalent input-referred spot noise voltage at the noninverting input, as shown in equation 2:

$$E_O = \sqrt{E_{NI}^2 + (I_{BN}R_S)^2 + 4kTR_S + \left(\frac{I_{BI}R_f}{NG}\right)^2 + \frac{4kTR_f}{NG}}$$

Driving Capacitive Loads

One of the most demanding, and yet very common, load conditions for an op amp is capacitive loading. Often, the capacitive load is the input of an A/D converter, including additional external capacitance, which may be recommended to improve A/D linearity. A high-speed, high open-loop gain amplifier like the THS4222 can be very susceptible to decreased stability and closed-loop response peaking when a capacitive load is placed directly on the output pin. When the amplifier's open-loop output resistance is considered, this capacitive load introduces an additional pole in the signal path that can decrease the phase margin. When the primary considerations are frequency response flatness, pulse response fidelity, or

distortion, the simplest and most effective solution is to isolate the capacitive load from the feedback loop by inserting a series isolation resistor between the amplifier output and the capacitive load. This does not eliminate the pole from the loop response, but rather shifts it and adds a zero at a higher frequency. The additional zero acts to cancel the phase lag from the capacitive load pole, thus increasing the phase margin and improving stability.

BOARD LAYOUT

Achieving optimum performance with a high frequency amplifier like the THS4222 requires careful attention to board layout parasitics and external component types.

Recommendations that optimize performance include:

1. **Minimize parasitic capacitance to any ac ground for all of the signal I/O pins.** Parasitic capacitance on the output and inverting input pins can cause instability: on the noninverting input, it can react with the source impedance to cause unintentional band limiting. To reduce unwanted capacitance, a window around the signal I/O pins should be opened in all of the ground and power planes around those pins. Otherwise, ground and power planes should be unbroken elsewhere on the board.
2. **Minimize the distance (< 0.25") from the power supply pins to high frequency 0.1-μF decoupling capacitors.** At the device pins, the ground and power plane layout should not be in close proximity to the signal I/O pins. Avoid narrow power and ground traces to minimize inductance between the pins and the decoupling capacitors. The power supply connections should always be decoupled with these capacitors. Larger (2.2-μF to 6.8-μF) decoupling capacitors, effective at lower frequency, should also be used on the main supply pins. These may be placed somewhat farther from the device and may be shared among several devices in the same area of the PC board.
3. **Careful selection and placement of external components will preserve the high frequency performance of the THS4222.** Resistors should be a very low reactance type. Surface-mount resistors work best and allow a tighter overall layout. Metal-film and carbon composition, axially-leaded resistors can also provide good high frequency performance. Again, keep their leads and PC board trace length as short as possible. Never use wire wound type resistors in a high frequency application. Since the output pin and inverting input pin are the most sensitive to parasitic capacitance, always position the feedback and series output resistor, if any, as close as possible to the output pin. Other network components, such as noninverting input termination resistors, should also be placed close to the package. Where double-side component mounting is allowed, place

the feedback resistor directly under the package on the other side of the board between the output and inverting input pins. Even with a low parasitic capacitance shunting the external resistors, excessively high resistor values can create significant time constants that can degrade performance. Good axial metal-film or surface-mount resistors have approximately 0.2 pF in shunt with the resistor. For resistor values > 2.0 kΩ, this parasitic capacitance can add a pole and/or a zero below 400 MHz that can effect circuit operation. Keep resistor values as low as possible, consistent with load driving considerations. It has been suggested here that a good starting point for design would be set the R_f be set to 1.3 kΩ for low-gain, noninverting applications. Doing this automatically keeps the resistor noise terms low, and minimize the effect of their parasitic capacitance.

- Connections to other wideband devices on the board may be made with short direct traces or through onboard transmission lines.** For short connections, consider the trace and the input to the next device as a lumped capacitive load. Relatively wide traces (50 mils to 100 mils) should be used, preferably with ground and power planes opened up around them. Estimate the total capacitive load and set R_{ISO} from the plot of recommended R_{ISO} vs Capacitive Load. Low parasitic capacitive loads (<4 pF) may not need an R_{ISO} , since the THS4222 is nominally compensated to operate with a 2-pF parasitic load. Higher parasitic capacitive loads without an R_{ISO} are allowed as the signal gain increases (increasing the unloaded phase margin). If a long trace is required, and the 6-dB signal loss intrinsic to a doubly-terminated transmission line is acceptable, implement a matched impedance transmission line using microstrip or stripline techniques (consult an ECL design handbook for microstrip and stripline layout techniques). A 50-Ω environment is normally not necessary onboard, and in fact a higher impedance environment improves distortion as shown in the distortion versus load plots. With a characteristic board trace impedance defined based on board material and trace dimensions, a matching series resistor into the trace from the output of the THS4222 is used as well as a terminating shunt resistor at the input of the destination device. Remember also that the terminating impedance is the parallel combination of the shunt resistor and the input impedance of the destination device: this total effective impedance should be set to match the trace impedance. If the 6-dB attenuation of a doubly terminated transmission line is unacceptable, a long trace can be series-terminated at the source end only. Treat the trace as a capacitive load in this case and set

the series resistor value as shown in the plot of R_{ISO} vs Capacitive Load. This setting does not preserve signal integrity or a doubly-terminated line. If the input impedance of the destination device is low, there is some signal attenuation due to the voltage divider formed by the series output into the terminating impedance.

- Socketing a high speed part like the THS4222 is not recommended.** The additional lead length and pin-to-pin capacitance introduced by the socket can create a troublesome parasitic network which can make it almost impossible to achieve a smooth, stable frequency response. Best results are obtained by soldering the THS4222 onto the board.

PowerPAD™ DESIGN CONSIDERATIONS

The THS4222 family is available in a thermally-enhanced PowerPAD family of packages. These packages are constructed using a downset leadframe upon which the die is mounted [see Figure 36(a) and Figure 36(b)]. This arrangement results in the lead frame being exposed as a thermal pad on the underside of the package [see Figure 36(c)]. Because this thermal pad has direct thermal contact with the die, excellent thermal performance can be achieved by providing a good thermal path away from the thermal pad.

The PowerPAD package allows for both assembly and thermal management in one manufacturing operation.

During the surface-mount solder operation (when the leads are being soldered), the thermal pad can also be soldered to a copper area underneath the package. Through the use of thermal paths within this copper area, heat can be conducted away from the package into either a ground plane or other heat dissipating device.

The PowerPAD package represents a breakthrough in combining the small area and ease of assembly of surface mount with the heretofore awkward mechanical methods of heatsinking.

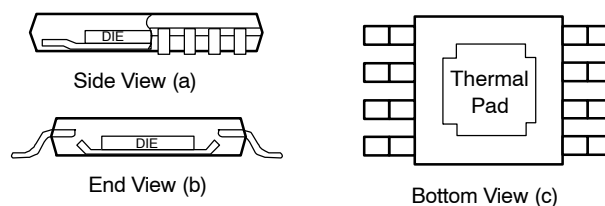


Figure 36. Views of Thermally Enhanced Package

Although there are many ways to properly heatsink the PowerPAD package, the following steps illustrate the recommended approach.

$$P_{Dmax} = \frac{T_{max} - T_A}{\theta_{JA}}$$

where:

P_{Dmax} is the maximum power dissipation in the amplifier (W).

T_{max} is the absolute maximum junction temperature (°C).

T_A is the ambient temperature (°C).

$\theta_{JA} = \theta_{JC} + \theta_{CA}$

θ_{JC} is the thermal coefficient from the silicon junctions to the case (°C/W).

θ_{CA} is the thermal coefficient from the case to ambient air (°C/W).

For systems where heat dissipation is more critical, the THS4222 family is offered in MSOP with PowerPAD. The thermal coefficient for the MSOP PowerPAD package is substantially improved over the traditional SOIC. Maximum power dissipation levels are depicted in the graph for the two packages. The data for the DGN package assumes a board layout that follows the PowerPAD layout guidelines referenced above and detailed in the PowerPAD application notes in the *Additional Reference Material* section at the end of the data sheet.

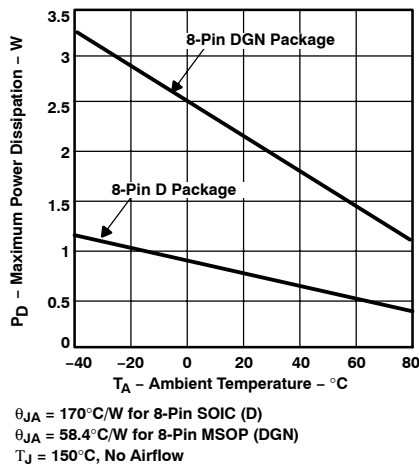


Figure 38. Maximum Power Dissipation vs Ambient Temperature

When determining whether or not the device satisfies the maximum power dissipation requirement, it is important to consider not only quiescent power dissipation, but also dynamic power dissipation. Often maximum power dissipation is difficult to quantify because the signal pattern is inconsistent, but an estimate of the RMS power dissipation can provide visibility into a possible problem.

DESIGN TOOLS

Evaluation Fixtures, Spice Models, and Applications Support

Texas Instruments is committed to providing its customers with the highest quality of applications support. To support this goal, evaluation boards have been developed for the THS4222 family of operational amplifiers. The boards are easy to use, allowing for straight-forward evaluation of the device. These evaluation boards can be ordered through the Texas Instruments web site, www.ti.com, or through your local Texas Instruments sales representative. Schematics for the two evaluation boards are shown below with their default component values. Unpopulated footprints are shown to provide insight into design flexibility.

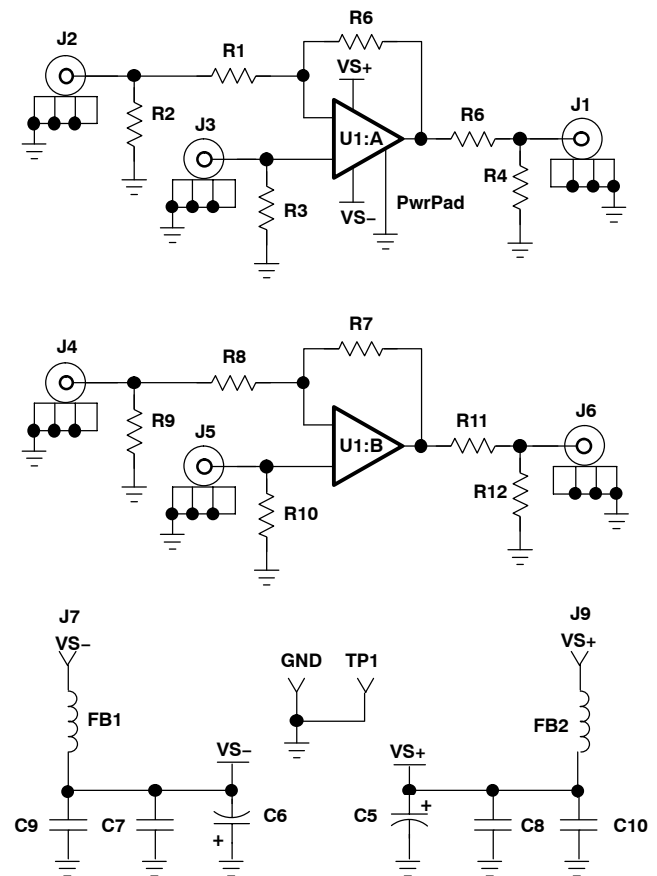


Figure 39. THS4222 EVM Circuit Configuration

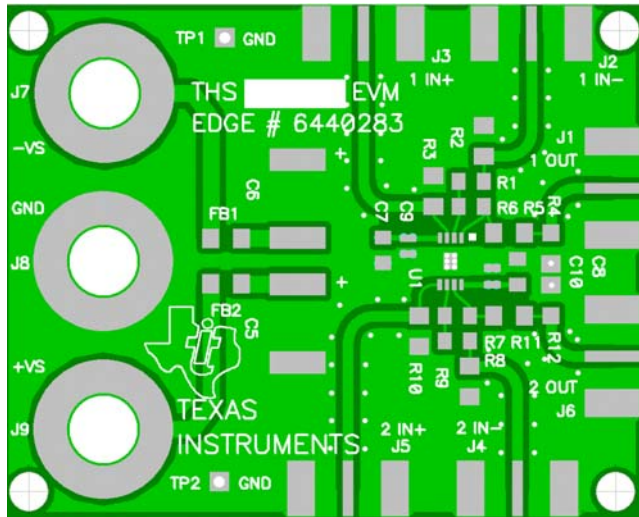


Figure 40. THS4222 EVM Board Layout (Top Layer)

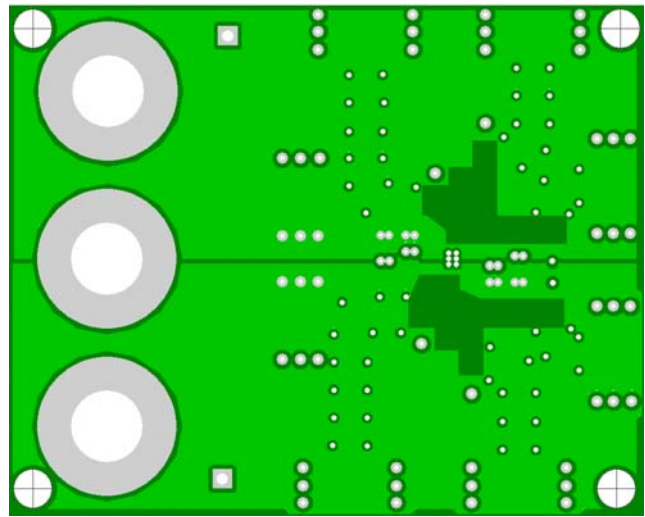


Figure 42. THS4222 EVM Board Layout (3rd Layer, Power)

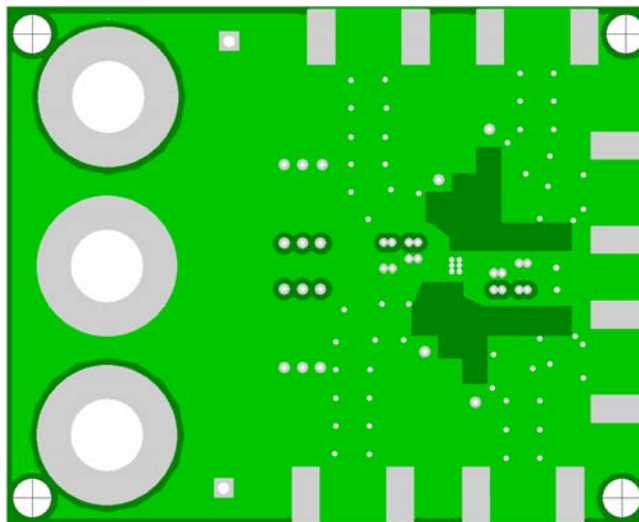


Figure 41. THS4222 EVM Board Layout (2nd Layer, Ground)

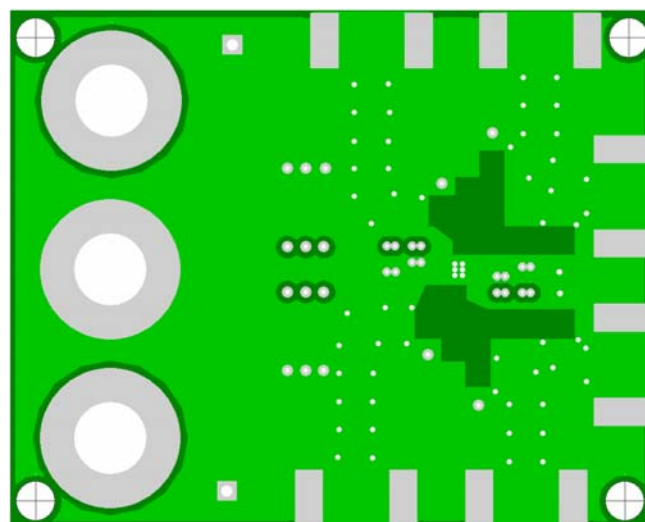


Figure 43. THS4222 EVM Board Layout (Bottom Layer)

Computer simulation of circuit performance using SPICE is often useful when analyzing the performance of analog circuits and systems. This is particularly true for video and RF amplifier circuits where parasitic capacitance and inductance can have a major effect on circuit performance. A SPICE model for the THS4222 family is available through the Texas Instruments web site (www.ti.com). The PIC is also available for design assistance and detailed product information. These models do a good job of predicting small-signal ac and transient performance under a wide variety of operating conditions. They are not intended to model the distortion characteristics of the

amplifier, nor do they attempt to distinguish between the package types in their small-signal ac performance. Detailed information about what is and is not modeled is contained in the model file itself.

ADDITIONAL REFERENCE MATERIAL

- *PowerPAD Made Easy*, application brief (SLMA004)
- *PowerPAD Thermally Enhanced Package*, technical brief (SLMA002)

PACKAGING INFORMATION

| Orderable Device | Status (1) | Package Type | Package Drawing | Pins | Package Qty | Eco Plan (2) | Lead finish/ Ball material (6) | MSL Peak Temp (3) | Op Temp (°C) | Device Marking (4/5) | Samples |
|------------------|---------------|--------------|-----------------|------|-------------|-----------------|--------------------------------------|----------------------|--------------|-------------------------|-------------------------|
| THS4221D | ACTIVE | SOIC | D | 8 | 75 | RoHS & Green | NIPDAU | Level-1-260C-UNLIM | -40 to 85 | 4221 | Samples |
| THS4221DBVR | ACTIVE | SOT-23 | DBV | 5 | 3000 | RoHS & Green | NIPDAU | Level-1-260C-UNLIM | -40 to 85 | BFS | Samples |
| THS4221DBVT | ACTIVE | SOT-23 | DBV | 5 | 250 | RoHS & Green | NIPDAU | Level-1-260C-UNLIM | -40 to 85 | BFS | Samples |
| THS4221DBVTG4 | ACTIVE | SOT-23 | DBV | 5 | 250 | TBD | Call TI | Call TI | -40 to 85 | | Samples |
| THS4221DGK | ACTIVE | VSSOP | DGK | 8 | 80 | RoHS & Green | NIPDAU | Level-1-260C-UNLIM | -40 to 85 | BHX | Samples |
| THS4221DGKR | ACTIVE | VSSOP | DGK | 8 | 2500 | RoHS & Green | NIPDAU | Level-1-260C-UNLIM | -40 to 85 | BHX | Samples |
| THS4221DGN | ACTIVE | HVSSOP | DGN | 8 | 80 | RoHS & Green | NIPDAU | Level-1-260C-UNLIM | -40 to 85 | BFT | Samples |
| THS4222D | ACTIVE | SOIC | D | 8 | 75 | RoHS & Green | NIPDAU | Level-1-260C-UNLIM | -40 to 85 | 4222 | Samples |
| THS4222DGK | ACTIVE | VSSOP | DGK | 8 | 80 | RoHS & Green | NIPDAU NIPDAUAG | Level-1-260C-UNLIM | -40 to 85 | BHW | Samples |
| THS4222DGN | ACTIVE | HVSSOP | DGN | 8 | 80 | RoHS & Green | NIPDAU NIPDAUAG | Level-1-260C-UNLIM | -40 to 85 | BFO | Samples |
| THS4222DGNR | ACTIVE | HVSSOP | DGN | 8 | 2500 | RoHS & Green | NIPDAU NIPDAUAG | Level-1-260C-UNLIM | -40 to 85 | BFO | Samples |
| THS4222DR | ACTIVE | SOIC | D | 8 | 2500 | RoHS & Green | NIPDAU | Level-1-260C-UNLIM | -40 to 85 | 4222 | Samples |
| THS4225D | ACTIVE | SOIC | D | 8 | 75 | RoHS & Green | NIPDAU | Level-1-260C-UNLIM | -40 to 85 | 4225 | Samples |
| THS4225DGK | ACTIVE | VSSOP | DGK | 8 | 80 | RoHS & Green | NIPDAU | Level-1-260C-UNLIM | -40 to 85 | BFY | Samples |
| THS4225DGN | ACTIVE | HVSSOP | DGN | 8 | 80 | RoHS & Green | NIPDAU | Level-1-260C-UNLIM | -40 to 85 | BFU | Samples |
| THS4226DGQ | ACTIVE | HVSSOP | DGQ | 10 | 80 | RoHS & Green | NIPDAU | Level-1-260C-UNLIM | -40 to 85 | BFP | Samples |

(1) The marketing status values are defined as follows:

ACTIVE: Product device recommended for new designs.

LIFEBUY: TI has announced that the device will be discontinued, and a lifetime-buy period is in effect.

NRND: Not recommended for new designs. Device is in production to support existing customers, but TI does not recommend using this part in a new design.

PREVIEW: Device has been announced but is not in production. Samples may or may not be available.

OBSELETE: TI has discontinued the production of the device.

(2) **RoHS:** TI defines "RoHS" to mean semiconductor products that are compliant with the current EU RoHS requirements for all 10 RoHS substances, including the requirement that RoHS substance do not exceed 0.1% by weight in homogeneous materials. Where designed to be soldered at high temperatures, "RoHS" products are suitable for use in specified lead-free processes. TI may reference these types of products as "Pb-Free".

RoHS Exempt: TI defines "RoHS Exempt" to mean products that contain lead but are compliant with EU RoHS pursuant to a specific EU RoHS exemption.

Green: TI defines "Green" to mean the content of Chlorine (Cl) and Bromine (Br) based flame retardants meet JS709B low halogen requirements of ≤ 1000 ppm threshold. Antimony trioxide based flame retardants must also meet the ≤ 1000 ppm threshold requirement.

(3) MSL, Peak Temp. - The Moisture Sensitivity Level rating according to the JEDEC industry standard classifications, and peak solder temperature.

(4) There may be additional marking, which relates to the logo, the lot trace code information, or the environmental category on the device.

(5) Multiple Device Markings will be inside parentheses. Only one Device Marking contained in parentheses and separated by a "~" will appear on a device. If a line is indented then it is a continuation of the previous line and the two combined represent the entire Device Marking for that device.

(6) Lead finish/Ball material - Orderable Devices may have multiple material finish options. Finish options are separated by a vertical ruled line. Lead finish/Ball material values may wrap to two lines if the finish value exceeds the maximum column width.

Important Information and Disclaimer: The information provided on this page represents TI's knowledge and belief as of the date that it is provided. TI bases its knowledge and belief on information provided by third parties, and makes no representation or warranty as to the accuracy of such information. Efforts are underway to better integrate information from third parties. TI has taken and continues to take reasonable steps to provide representative and accurate information but may not have conducted destructive testing or chemical analysis on incoming materials and chemicals. TI and TI suppliers consider certain information to be proprietary, and thus CAS numbers and other limited information may not be available for release.

In no event shall TI's liability arising out of such information exceed the total purchase price of the TI part(s) at issue in this document sold by TI to Customer on an annual basis.

TAPE AND REEL INFORMATION

QUADRANT ASSIGNMENTS FOR PIN 1 ORIENTATION IN TAPE


*All dimensions are nominal

| Device | Package Type | Package Drawing | Pins | SPQ | Reel Diameter (mm) | Reel Width W1 (mm) | A0 (mm) | B0 (mm) | K0 (mm) | P1 (mm) | W (mm) | Pin1 Quadrant |
|-------------|--------------|-----------------|------|------|--------------------|--------------------|---------|---------|---------|---------|--------|---------------|
| THS4221DBVR | SOT-23 | DBV | 5 | 3000 | 180.0 | 9.0 | 3.15 | 3.2 | 1.4 | 4.0 | 8.0 | Q3 |
| THS4221DBVT | SOT-23 | DBV | 5 | 250 | 180.0 | 9.0 | 3.15 | 3.2 | 1.4 | 4.0 | 8.0 | Q3 |
| THS4221DGKR | VSSOP | DGK | 8 | 2500 | 330.0 | 12.4 | 5.3 | 3.4 | 1.4 | 8.0 | 12.0 | Q1 |
| THS4222DGNR | HVSSOP | DGN | 8 | 2500 | 330.0 | 12.4 | 5.3 | 3.4 | 1.4 | 8.0 | 12.0 | Q1 |
| THS4222DGNR | HVSSOP | DGN | 8 | 2500 | 330.0 | 12.4 | 5.3 | 3.4 | 1.4 | 8.0 | 12.0 | Q1 |
| THS4222DR | SOIC | D | 8 | 2500 | 330.0 | 12.4 | 6.4 | 5.2 | 2.1 | 8.0 | 12.0 | Q1 |

TAPE AND REEL BOX DIMENSIONS


*All dimensions are nominal

| Device | Package Type | Package Drawing | Pins | SPQ | Length (mm) | Width (mm) | Height (mm) |
|-------------|--------------|-----------------|------|------|-------------|------------|-------------|
| THS4221DBVR | SOT-23 | DBV | 5 | 3000 | 182.0 | 182.0 | 20.0 |
| THS4221DBVT | SOT-23 | DBV | 5 | 250 | 182.0 | 182.0 | 20.0 |
| THS4221DGKR | VSSOP | DGK | 8 | 2500 | 358.0 | 335.0 | 35.0 |
| THS4222DGNR | HVSSOP | DGN | 8 | 2500 | 358.0 | 335.0 | 35.0 |
| THS4222DGNR | HVSSOP | DGN | 8 | 2500 | 364.0 | 364.0 | 27.0 |
| THS4222DR | SOIC | D | 8 | 2500 | 350.0 | 350.0 | 43.0 |

TUBE


*All dimensions are nominal

| Device | Package Name | Package Type | Pins | SPQ | L (mm) | W (mm) | T (μm) | B (mm) |
|------------|--------------|--------------|------|-----|--------|--------|--------|--------|
| THS4221D | D | SOIC | 8 | 75 | 505.46 | 6.76 | 3810 | 4 |
| THS4222D | D | SOIC | 8 | 75 | 505.46 | 6.76 | 3810 | 4 |
| THS4222DGK | DGK | VSSOP | 8 | 80 | 330 | 6.55 | 500 | 2.88 |
| THS4222DGN | DGN | HVSSOP | 8 | 80 | 330 | 6.55 | 500 | 2.88 |
| THS4225D | D | SOIC | 8 | 75 | 505.46 | 6.76 | 3810 | 4 |

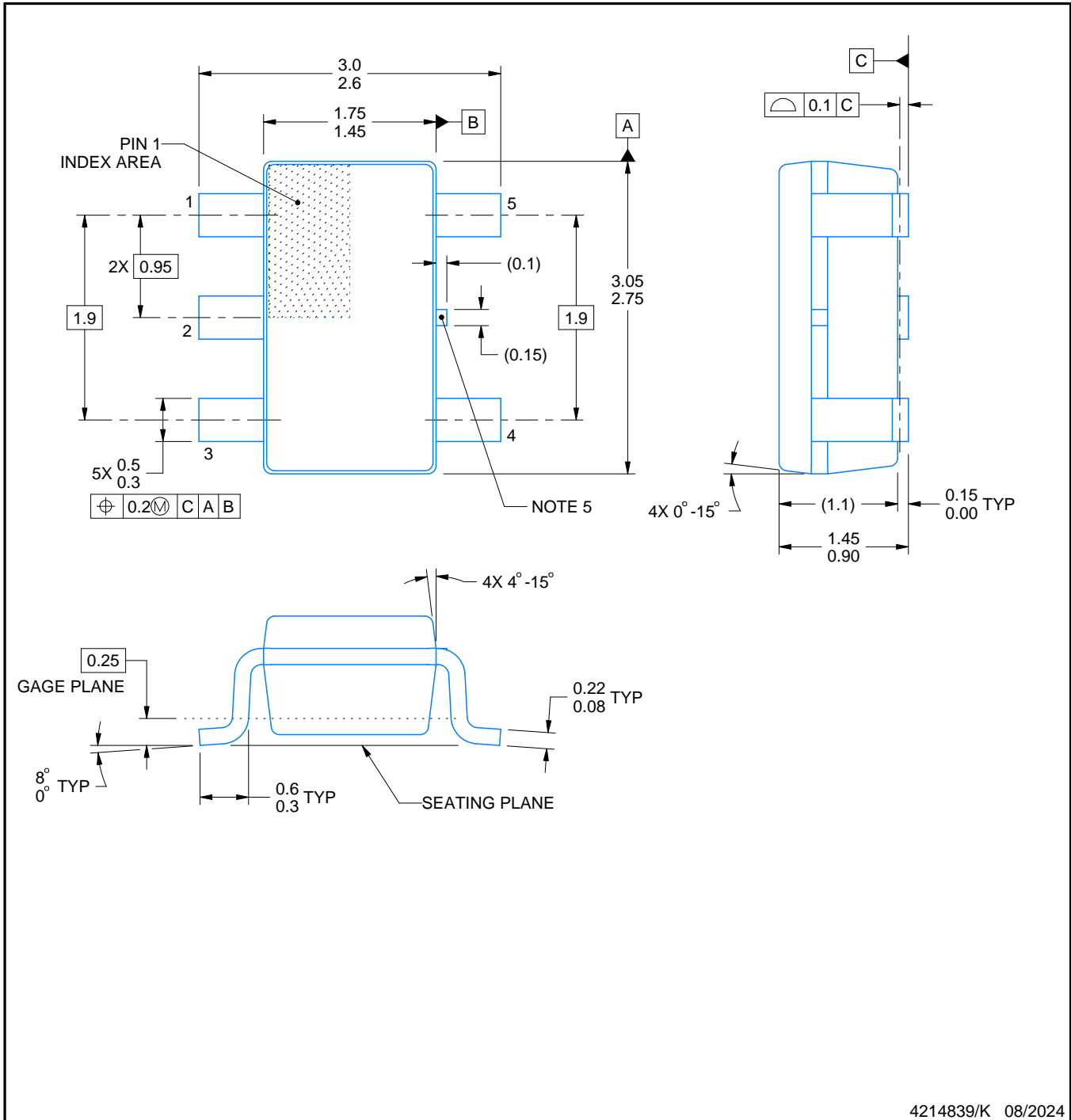
DBV0005A



PACKAGE OUTLINE

SOT-23 - 1.45 mm max height

SMALL OUTLINE TRANSISTOR



4214839/K 08/2024

NOTES:

1. All linear dimensions are in millimeters. Any dimensions in parenthesis are for reference only. Dimensioning and tolerancing per ASME Y14.5M.
2. This drawing is subject to change without notice.
3. Reference JEDEC MO-178.
4. Body dimensions do not include mold flash, protrusions, or gate burrs. Mold flash, protrusions, or gate burrs shall not exceed 0.25 mm per side.
5. Support pin may differ or may not be present.

EXAMPLE BOARD LAYOUT

DBV0005A

SOT-23 - 1.45 mm max height

SMALL OUTLINE TRANSISTOR



LAND PATTERN EXAMPLE
EXPOSED METAL SHOWN
SCALE:15X



SOLDER MASK DETAILS

4214839/K 08/2024

NOTES: (continued)

- 6. Publication IPC-7351 may have alternate designs.
- 7. Solder mask tolerances between and around signal pads can vary based on board fabrication site.

EXAMPLE STENCIL DESIGN

DBV0005A

SOT-23 - 1.45 mm max height

SMALL OUTLINE TRANSISTOR



SOLDER PASTE EXAMPLE
BASED ON 0.125 mm THICK STENCIL
SCALE:15X

4214839/K 08/2024

NOTES: (continued)

8. Laser cutting apertures with trapezoidal walls and rounded corners may offer better paste release. IPC-7525 may have alternate design recommendations.
9. Board assembly site may have different recommendations for stencil design.

DGK0008A



PACKAGE OUTLINE

VSSOP - 1.1 mm max height

SMALL OUTLINE PACKAGE



NOTES:

PowerPAD is a trademark of Texas Instruments.

1. All linear dimensions are in millimeters. Any dimensions in parenthesis are for reference only. Dimensioning and tolerancing per ASME Y14.5M.
2. This drawing is subject to change without notice.
3. This dimension does not include mold flash, protrusions, or gate burrs. Mold flash, protrusions, or gate burrs shall not exceed 0.15 mm per side.
4. This dimension does not include interlead flash. Interlead flash shall not exceed 0.25 mm per side.
5. Reference JEDEC registration MO-187.

EXAMPLE BOARD LAYOUT

DGK0008A

™ VSSOP - 1.1 mm max height

SMALL OUTLINE PACKAGE



LAND PATTERN EXAMPLE
EXPOSED METAL SHOWN
SCALE: 15X



SOLDER MASK DETAILS

4214862/A 04/2023

NOTES: (continued)

6. Publication IPC-7351 may have alternate designs.
7. Solder mask tolerances between and around signal pads can vary based on board fabrication site.
8. Vias are optional depending on application, refer to device data sheet. If any vias are implemented, refer to their locations shown on this view. It is recommended that vias under paste be filled, plugged or tented.
9. Size of metal pad may vary due to creepage requirement.

EXAMPLE STENCIL DESIGN

DGK0008A

™ VSSOP - 1.1 mm max height

SMALL OUTLINE PACKAGE



SOLDER PASTE EXAMPLE
SCALE: 15X

4214862/A 04/2023

NOTES: (continued)

11. Laser cutting apertures with trapezoidal walls and rounded corners may offer better paste release. IPC-7525 may have alternate design recommendations.
12. Board assembly site may have different recommendations for stencil design.

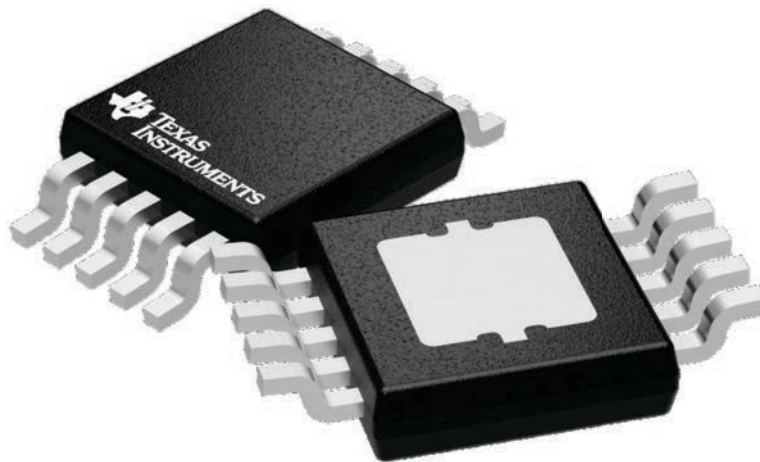
GENERIC PACKAGE VIEW

DGQ 10

PowerPAD™ HVSSOP - 1.1 mm max height

3 x 3, 0.5 mm pitch

PLASTIC SMALL OUTLINE



Images above are just a representation of the package family, actual package may vary.
Refer to the product data sheet for package details.

4224775/A

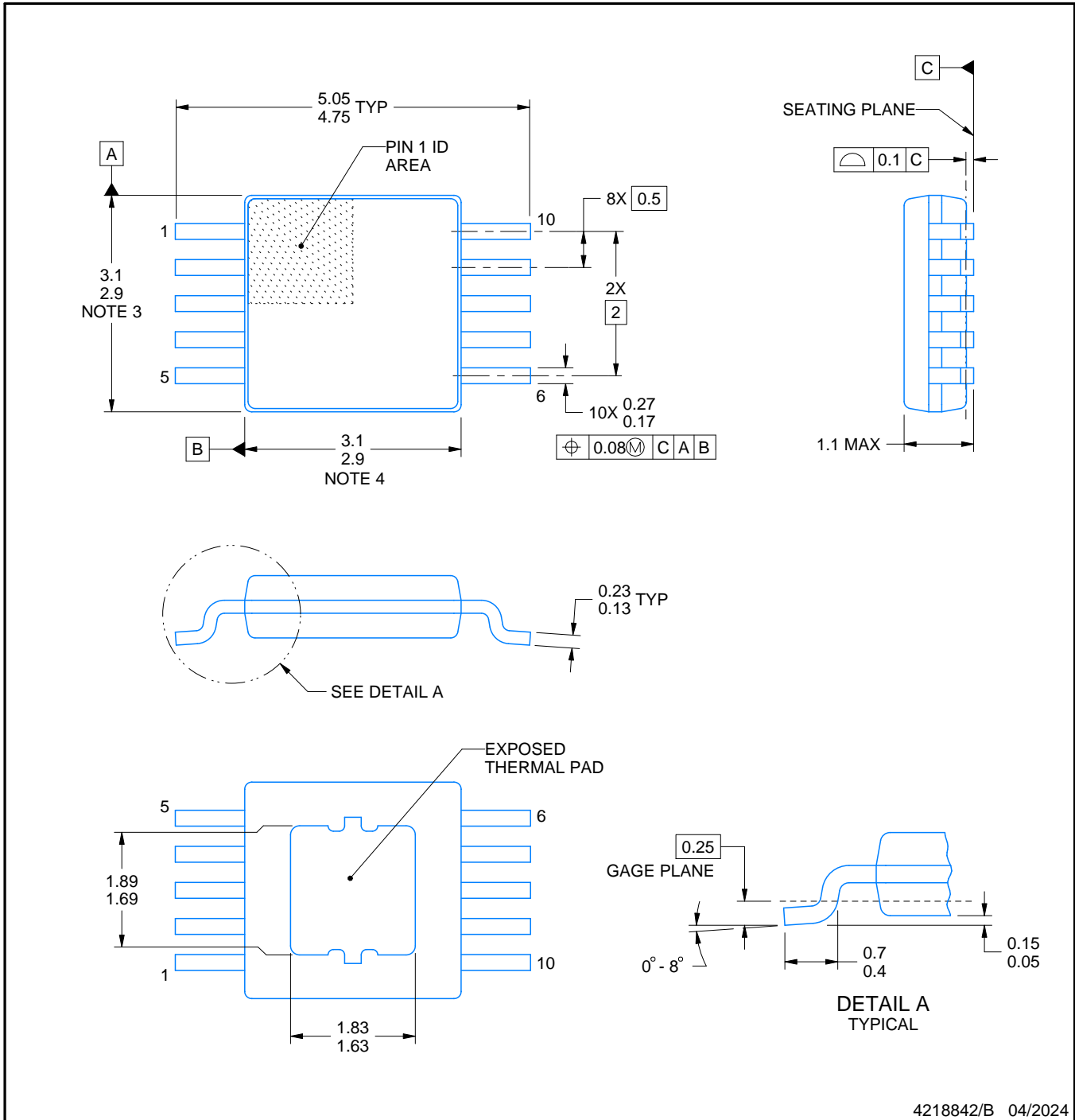
DGQ0010D



PACKAGE OUTLINE

PowerPAD™ - 1.1 mm max height

PLASTIC SMALL OUTLINE

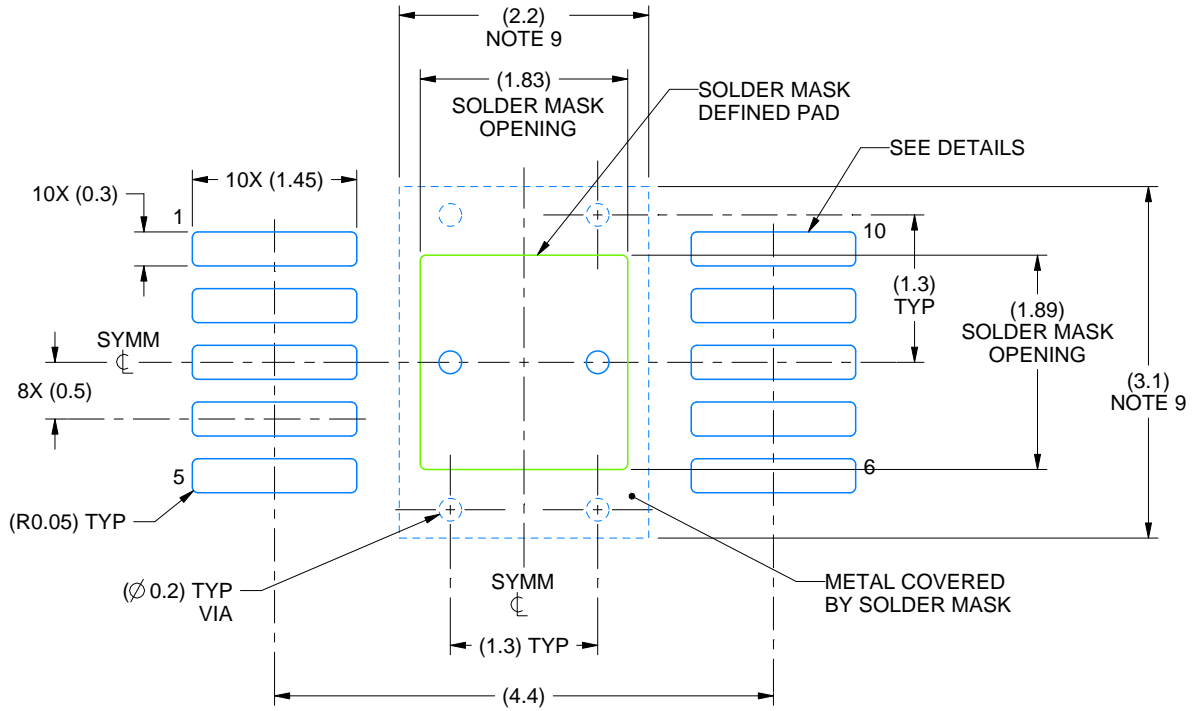


4218842/B 04/2024

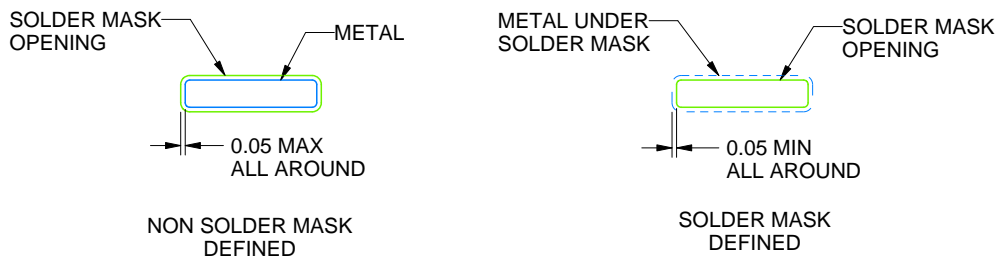
PowerPAD is a trademark of Texas Instruments.

NOTES:

1. All linear dimensions are in millimeters. Any dimensions in parenthesis are for reference only. Dimensioning and tolerancing per ASME Y14.5M.
2. This drawing is subject to change without notice.
3. This dimension does not include mold flash, protrusions, or gate burrs. Mold flash, protrusions, or gate burrs shall not exceed 0.15 mm per side.
4. This dimension does not include interlead flash. Interlead flash shall not exceed 0.25 mm per side.
5. Reference JEDEC registration MO-187, variation BA-T.



LAND PATTERN EXAMPLE
SCALE:15X



SOLDER MASK DETAILS

4218842/B 04/2024

NOTES: (continued)

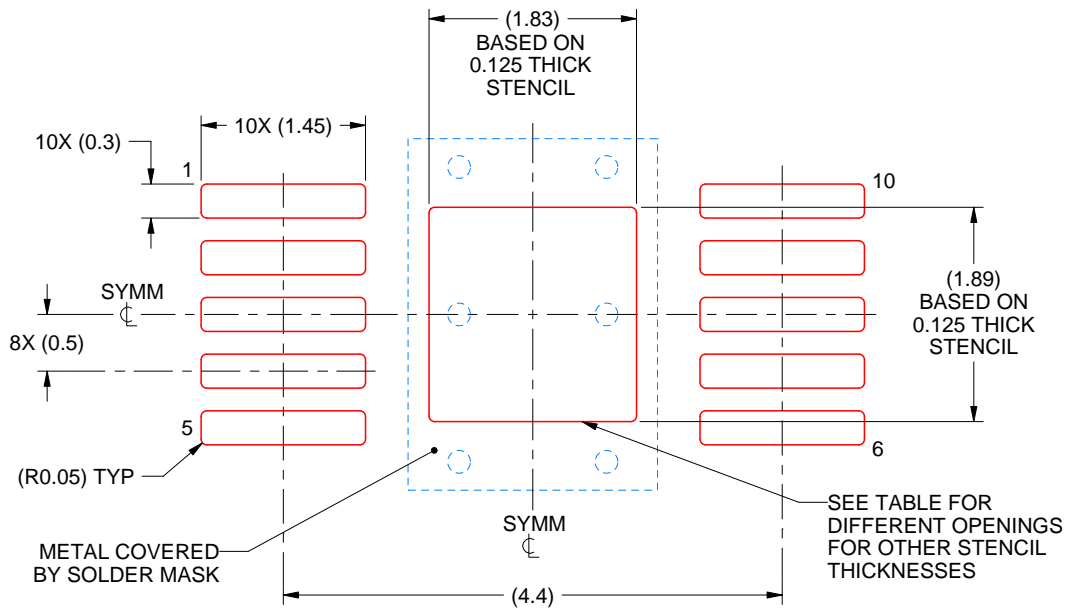
- 6. Publication IPC-7351 may have alternate designs.
- 7. Solder mask tolerances between and around signal pads can vary based on board fabrication site.
- 8. This package is designed to be soldered to a thermal pad on the board. For more information, see Texas Instruments literature numbers SLMA002 (www.ti.com/lit/slma002) and SLMA004 (www.ti.com/lit/slma004).
- 9. Size of metal pad may vary due to creepage requirement.

EXAMPLE STENCIL DESIGN

DGQ0010D

PowerPAD™ - 1.1 mm max height

PLASTIC SMALL OUTLINE



SOLDER PASTE EXAMPLE
EXPOSED PAD
100% PRINTED SOLDER COVERAGE BY AREA
SCALE:15X

| STENCIL THICKNESS | SOLDER STENCIL OPENING |
|-------------------|------------------------|
| 0.1 | 2.05 X 2.11 |
| 0.125 | 1.83 X 1.89 (SHOWN) |
| 0.150 | 1.67 X 1.73 |
| 0.175 | 1.55 X 1.60 |

4218842/B 04/2024

NOTES: (continued)

10. Laser cutting apertures with trapezoidal walls and rounded corners may offer better paste release. IPC-7525 may have alternate design recommendations.
11. Board assembly site may have different recommendations for stencil design.

GENERIC PACKAGE VIEW

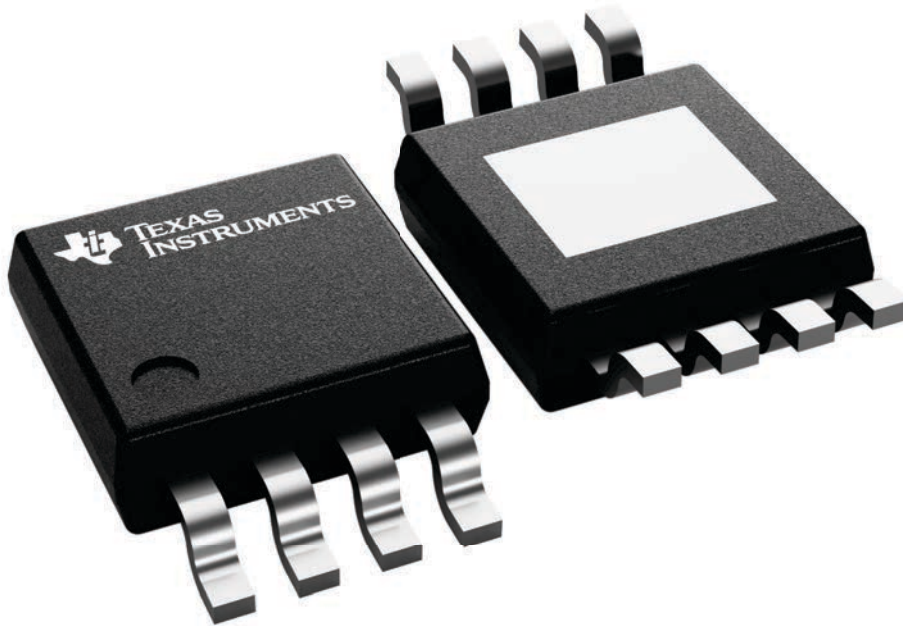
DGN 8

PowerPAD™ HVSSOP - 1.1 mm max height

3 x 3, 0.65 mm pitch

SMALL OUTLINE PACKAGE

This image is a representation of the package family, actual package may vary.
Refer to the product data sheet for package details.



4225482/B



4225481/A 11/2019

PowerPAD is a trademark of Texas Instruments.

NOTES:

1. All linear dimensions are in millimeters. Any dimensions in parenthesis are for reference only. Dimensioning and tolerancing per ASME Y14.5M.
2. This drawing is subject to change without notice.
3. This dimension does not include mold flash, protrusions, or gate burrs. Mold flash, protrusions, or gate burrs shall not exceed 0.15 mm per side.
4. This dimension does not include interlead flash. Interlead flash shall not exceed 0.25 mm per side.
5. Reference JEDEC registration MO-187.

EXAMPLE BOARD LAYOUT

DGN0008D

PowerPAD™ VSSOP - 1.1 mm max height

SMALL OUTLINE PACKAGE



LAND PATTERN EXAMPLE
EXPOSED METAL SHOWN
SCALE: 15X



4225481/A 11/2019

NOTES: (continued)

6. Publication IPC-7351 may have alternate designs.
7. Solder mask tolerances between and around signal pads can vary based on board fabrication site.
8. Vias are optional depending on application, refer to device data sheet. If any vias are implemented, refer to their locations shown on this view. It is recommended that vias under paste be filled, plugged or tented.
9. Size of metal pad may vary due to creepage requirement.

EXAMPLE STENCIL DESIGN

DGN0008D

PowerPAD™ VSSOP - 1.1 mm max height

SMALL OUTLINE PACKAGE



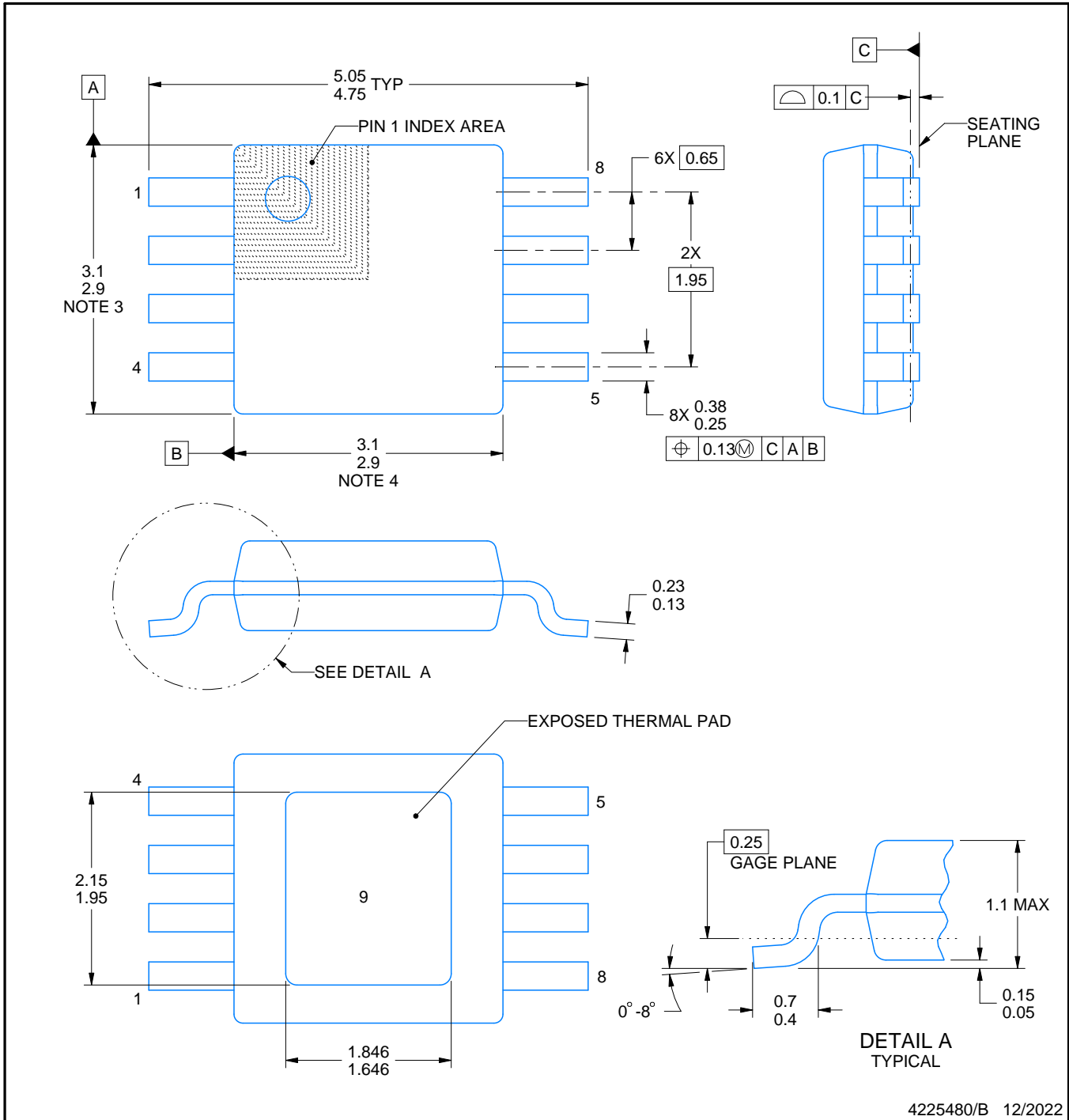
SOLDER PASTE EXAMPLE
EXPOSED PAD 9:
100% PRINTED SOLDER COVERAGE BY AREA
SCALE: 15X

| STENCIL THICKNESS | SOLDER STENCIL OPENING |
|-------------------|------------------------|
| 0.1 | 1.76 X 2.11 |
| 0.125 | 1.57 X 1.89 (SHOWN) |
| 0.15 | 1.43 X 1.73 |
| 0.175 | 1.33 X 1.60 |

4225481/A 11/2019

NOTES: (continued)

10. Laser cutting apertures with trapezoidal walls and rounded corners may offer better paste release. IPC-7525 may have alternate design recommendations.
11. Board assembly site may have different recommendations for stencil design.



4225480/B 12/2022

NOTES:

PowerPAD is a trademark of Texas Instruments.

1. All linear dimensions are in millimeters. Any dimensions in parenthesis are for reference only. Dimensioning and tolerancing per ASME Y14.5M.
2. This drawing is subject to change without notice.
3. This dimension does not include mold flash, protrusions, or gate burrs. Mold flash, protrusions, or gate burrs shall not exceed 0.15 mm per side.
4. This dimension does not include interlead flash. Interlead flash shall not exceed 0.25 mm per side.
5. Reference JEDEC registration MO-187.

EXAMPLE BOARD LAYOUT

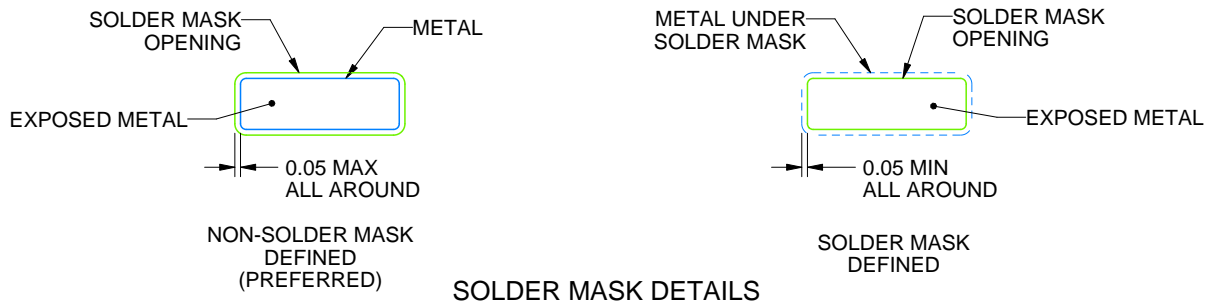
DGN0008G

PowerPAD™ VSSOP - 1.1 mm max height

SMALL OUTLINE PACKAGE



LAND PATTERN EXAMPLE
EXPOSED METAL SHOWN
SCALE: 15X



SOLDER MASK DETAILS

4225480/B 12/2022

NOTES: (continued)

6. Publication IPC-7351 may have alternate designs.
7. Solder mask tolerances between and around signal pads can vary based on board fabrication site.
8. Vias are optional depending on application, refer to device data sheet. If any vias are implemented, refer to their locations shown on this view. It is recommended that vias under paste be filled, plugged or tented.
9. Size of metal pad may vary due to creepage requirement.

EXAMPLE STENCIL DESIGN

DGN0008G

PowerPAD™ VSSOP - 1.1 mm max height

SMALL OUTLINE PACKAGE



SOLDER PASTE EXAMPLE
 EXPOSED PAD 9:
 100% PRINTED SOLDER COVERAGE BY AREA
 SCALE: 15X

| STENCIL THICKNESS | SOLDER STENCIL OPENING |
|-------------------|------------------------|
| 0.1 | 1.76 X 2.11 |
| 0.125 | 1.57 X 1.89 (SHOWN) |
| 0.15 | 1.43 X 1.73 |
| 0.175 | 1.33 X 1.60 |

4225480/B 12/2022

NOTES: (continued)

10. Laser cutting apertures with trapezoidal walls and rounded corners may offer better paste release. IPC-7525 may have alternate design recommendations.
11. Board assembly site may have different recommendations for stencil design.



D0008A

PACKAGE OUTLINE

SOIC - 1.75 mm max height

SMALL OUTLINE INTEGRATED CIRCUIT



4214825/C 02/2019

NOTES:

- Linear dimensions are in inches [millimeters]. Dimensions in parenthesis are for reference only. Controlling dimensions are in inches. Dimensioning and tolerancing per ASME Y14.5M.
- This drawing is subject to change without notice.
- This dimension does not include mold flash, protrusions, or gate burrs. Mold flash, protrusions, or gate burrs shall not exceed $.006$ [0.15] per side.
- This dimension does not include interlead flash.
- Reference JEDEC registration MS-012, variation AA.

EXAMPLE BOARD LAYOUT

D0008A

SOIC - 1.75 mm max height

SMALL OUTLINE INTEGRATED CIRCUIT



LAND PATTERN EXAMPLE
 EXPOSED METAL SHOWN
 SCALE:8X



SOLDER MASK DETAILS

4214825/C 02/2019

NOTES: (continued)

- 6. Publication IPC-7351 may have alternate designs.
- 7. Solder mask tolerances between and around signal pads can vary based on board fabrication site.

EXAMPLE STENCIL DESIGN

D0008A

SOIC - 1.75 mm max height

SMALL OUTLINE INTEGRATED CIRCUIT



SOLDER PASTE EXAMPLE
BASED ON .005 INCH [0.125 MM] THICK STENCIL
SCALE:8X

4214825/C 02/2019

NOTES: (continued)

8. Laser cutting apertures with trapezoidal walls and rounded corners may offer better paste release. IPC-7525 may have alternate design recommendations.
9. Board assembly site may have different recommendations for stencil design.

IMPORTANT NOTICE AND DISCLAIMER

TI PROVIDES TECHNICAL AND RELIABILITY DATA (INCLUDING DATA SHEETS), DESIGN RESOURCES (INCLUDING REFERENCE DESIGNS), APPLICATION OR OTHER DESIGN ADVICE, WEB TOOLS, SAFETY INFORMATION, AND OTHER RESOURCES "AS IS" AND WITH ALL FAULTS, AND DISCLAIMS ALL WARRANTIES, EXPRESS AND IMPLIED, INCLUDING WITHOUT LIMITATION ANY IMPLIED WARRANTIES OF MERCHANTABILITY, FITNESS FOR A PARTICULAR PURPOSE OR NON-INFRINGEMENT OF THIRD PARTY INTELLECTUAL PROPERTY RIGHTS.

These resources are intended for skilled developers designing with TI products. You are solely responsible for (1) selecting the appropriate TI products for your application, (2) designing, validating and testing your application, and (3) ensuring your application meets applicable standards, and any other safety, security, regulatory or other requirements.

These resources are subject to change without notice. TI grants you permission to use these resources only for development of an application that uses the TI products described in the resource. Other reproduction and display of these resources is prohibited. No license is granted to any other TI intellectual property right or to any third party intellectual property right. TI disclaims responsibility for, and you will fully indemnify TI and its representatives against, any claims, damages, costs, losses, and liabilities arising out of your use of these resources.

TI's products are provided subject to [TI's Terms of Sale](#) or other applicable terms available either on [ti.com](https://www.ti.com) or provided in conjunction with such TI products. TI's provision of these resources does not expand or otherwise alter TI's applicable warranties or warranty disclaimers for TI products.

TI objects to and rejects any additional or different terms you may have proposed.

Mailing Address: Texas Instruments, Post Office Box 655303, Dallas, Texas 75265
Copyright © 2024, Texas Instruments Incorporated