

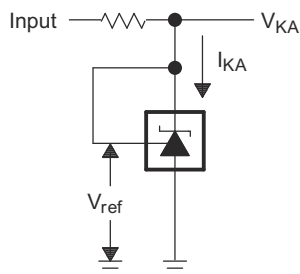
# TL431, TL432 Precision Programmable Reference

## 1 Features

- Reference voltage tolerance at 25°C
  - 0.5% (B grade)
  - 1% (A grade)
  - 2% (Standard grade)
- Adjustable output voltage:  $V_{ref}$  to 36V
- Operation from –40°C to 125°C
- Typical temperature drift (TL43xB)
  - 6mV (C temp)
  - 14mV (I temp, Q temp)
- Low Output Noise
- 0.2Ω Typical output impedance
- Sink-current capability: 1mA to 100mA

## 2 Applications

- [Rack server power](#)
- [Industrial AC/DC](#)
- [AC inverter & VF drives](#)
- [Servo drive control module](#)
- [Notebook PC power adapter design](#)



**Simplified Schematic**

## 3 Description

The TL431 and TL432 devices are three-terminal adjustable shunt regulators, with specified thermal stability over applicable automotive, commercial, and military temperature ranges. The output voltage can be set to any value between  $V_{ref}$  (approximately 2.5V) and 36V, with two external resistors. These devices have a typical output impedance of 0.2Ω. Active output circuitry provides a very sharp turn-on characteristic, making these devices excellent replacements for Zener diodes in many applications, such as on-board regulation, adjustable power supplies, and switching power supplies. The TL432 device has exactly the same functionality and electrical specifications as the TL431 device, but has different pinouts for the DBV, DBZ, and PK packages.

Both the TL431 and TL432 devices are offered in three grades, with initial tolerances (at 25°C) of 0.5%, 1%, and 2%, for the B, A, and standard grade, respectively. In addition, low output drift versus temperature verifies good stability over the entire temperature range.

The TL43xxC devices are characterized for operation from 0°C to 70°C, the TL43xxI devices are characterized for operation from –40°C to 85°C, and the TL43xxQ devices are characterized for operation from –40°C to 125°C.

### Device Information

| PART NUMBER | PACKAGE (PIN) <sup>(1)</sup> | BODY SIZE (NOM) <sup>(2)</sup> |
|-------------|------------------------------|--------------------------------|
| TL43x       | SOT-23-3 (3)                 | 2.90mm × 1.30mm                |
|             | SOT-23-5 (5)                 | 2.90mm × 1.60mm                |
|             | SOIC (8)                     | 4.90mm × 3.90mm                |
|             | PDIP (8)                     | 9.50mm × 6.35mm                |
|             | SOP (8)                      | 6.20mm × 5.30mm                |

(1) For all available packages, see the orderable addendum at the end of the data sheet.

(2) The package size (length × width) is a nominal value and includes pins, where applicable.



## Table of Contents

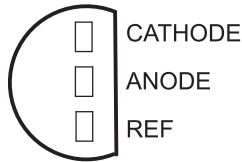
|  |           |  |           |
|--|-----------|--|-----------|
| <b>1 Features</b> .....                                | <b>1</b>  | <b>8 Detailed Description</b> .....                              | <b>21</b> |
| <b>2 Applications</b> .....                            | <b>1</b>  | 8.1 Overview.....  | 21        |
| <b>3 Description</b> .....                             | <b>1</b>  | 8.2 Functional Block Diagram.....                                | 21        |
| <b>4 Device Comparison Table</b> .....                 | <b>3</b>  | 8.3 Feature Description.....                                     | 22        |
| <b>5 Pin Configuration and Functions</b> .....         | <b>4</b>  | 8.4 Device Functional Modes.....                                 | 22        |
| <b>6 Specifications</b> .....                          | <b>5</b>  | <b>9 Applications and Implementation</b> .....                   | <b>23</b> |
| 6.1 Absolute Maximum Ratings.....                      | 5         | 9.1 Application Information.....                                 | 23        |
| 6.2 ESD Ratings.....                                   | 5         | 9.2 Typical Applications.....                                    | 23        |
| 6.3 Thermal Information.....                           | 5         | 9.3 System Examples.....   | 28        |
| 6.4 Recommended Operating Conditions.....              | 5         | 9.4 Power Supply Recommendations.....                            | 31        |
| 6.5 Electrical Characteristics, TL431C, TL432C.....    | 6         | 9.5 Layout.....  | 31        |
| 6.6 Electrical Characteristics, TL431I, TL432I.....    | 7         | <b>10 Device and Documentation Support</b> .....                 | <b>32</b> |
| 6.7 Electrical Characteristics, TL431Q, TL432Q.....    | 8         | 10.1 Device Nomenclature.....                                    | 32        |
| 6.8 Electrical Characteristics, TL431AC, TL432AC.....  | 9         | 10.2 Related Links.....  | 32        |
| 6.9 Electrical Characteristics, TL431AI, TL432AI.....  | 10        | 10.3 Receiving Notification of Documentation Updates..           | 32        |
| 6.10 Electrical Characteristics, TL431AQ, TL432AQ..... | 11        | 10.4 Support Resources.....                                      | 32        |
| 6.11 Electrical Characteristics, TL431BC, TL432BC..... | 12        | 10.5 Trademarks.....   | 32        |
| 6.12 Electrical Characteristics, TL431BI, TL432BI..... | 13        | 10.6 Electrostatic Discharge Caution.....                        | 33        |
| 6.13 Electrical Characteristics, TL431BQ, TL432BQ..... | 14        | 10.7 Glossary.....   | 33        |
| 6.14 Typical Characteristics.....                      | 15        | <b>11 Revision History</b> .....                                 | <b>33</b> |
| <b>7 Parameter Measurement Information</b> .....       | <b>19</b> | <b>12 Mechanical, Packaging, and Orderable Information</b> ..... | <b>33</b> |
| 7.1 Temperature Coefficient.....                       | 19        |  |           |
| 7.2 Dynamic Impedance.....                             | 20        |  |           |

## 4 Device Comparison Table

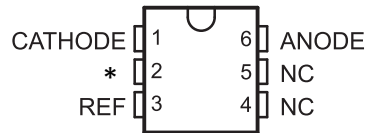
| DEVICE PINOUT  | INITIAL ACCURACY                | OPERATING FREE-AIR TEMPERATURE (T <sub>A</sub> )        |
|----------------|---------------------------------|---|
| TL431<br>TL432 | B: 0.5%<br>A: 1%<br>(Blank): 2% | C: 0°C to 70°C<br>I: -40°C to 85°C<br>Q: -40°C to 125°C |

## 5 Pin Configuration and Functions

TL431, TL431A, TL431B ... LP (TO-92/TO-226) PACKAGE  
(TOP VIEW)



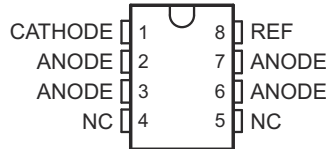
TL431A, TL431B ... DCK (SC-70) PACKAGE  
(TOP VIEW)



NC – No internal connection

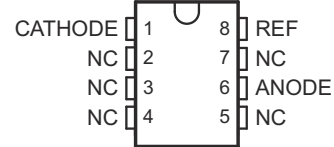
\* - Must be connected to ANODE or left open

TL431, TL431A, TL431B ... D (SOIC) PACKAGE  
(TOP VIEW)



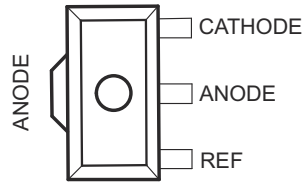
NC – No internal connection

TL431, TL431A, TL431B ... P (PDIP), PS (SOP),  
OR PW (TSSOP) PACKAGE  
(TOP VIEW)

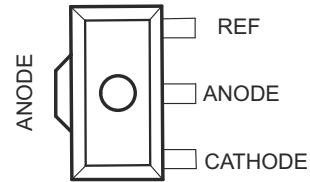


NC – No internal connection

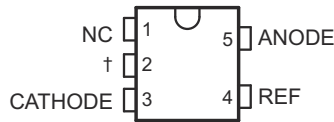
TL431, TL431A, TL431B ... PK (SOT-89) PACKAGE  
(TOP VIEW)



TL432, TL432A, TL432B ... PK (SOT-89) PACKAGE  
(TOP VIEW)



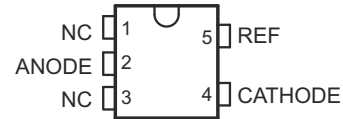
TL431, TL431A, TL431B ... DBV (SOT-23-5) PACKAGE  
(TOP VIEW)



NC – No internal connection

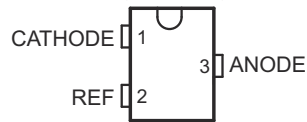
† Pin 2 is attached to Substrate and must be connected to ANODE or left open.

TL432, TL432A, TL432B ... DBV (SOT-23-5) PACKAGE  
(TOP VIEW)



NC – No internal connection

TL431, TL431A, TL431B ... DBZ (SOT-23-3) PACKAGE  
(TOP VIEW)



TL432, TL432A, TL432B ... DBZ (SOT-23-3) PACKAGE  
(TOP VIEW)

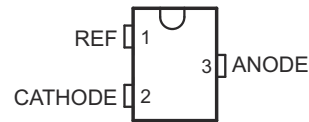


Table 5-1. Pin Functions

| NAME    | PIN    |     |    |               |             |        |     |     |     |    | TYPE | DESCRIPTION                              |
|---------|--------|-----|----|---------------|-------------|--------|-----|-----|-----|----|------|--|
|         | TL431x |     |    |               |             | TL432x |     |     |     |    |      |  |
|         | DBZ    | DBV | PK | D             | P, PS<br>PW | LP     | DCK | DBZ | DBV | PK |      |  |
| CATHODE | 1      | 3   | 3  | 1             | 1           | 1      | 1   | 2   | 4   | 1  | I/O  | Shunt Current/Voltage input              |
| REF     | 2      | 4   | 1  | 8             | 8           | 3      | 3   | 1   | 5   | 3  | I    | Threshold relative to common anode       |
| ANODE   | 3      | 5   | 2  | 2, 3, 6,<br>7 | 6           | 2      | 6   | 3   | 2   | 2  | O    | Common pin, normally connected to ground |

## 6 Specifications

### 6.1 Absolute Maximum Ratings

over operating free-air temperature range (unless otherwise noted)<sup>(1)</sup>

|                     |                                      |  | MIN   | MAX | UNIT |
|---------------------|--------------------------------------|--|-------|-----|------|
| V <sub>KA</sub>     | Cathode Voltage <sup>(2)</sup>       |  |       | 37  | V    |
| I <sub>KA</sub>     | Continuous Cathode Current Range     |  | -100  | 150 | mA   |
| I <sub>I(ref)</sub> | Reference Input Current              |  | -0.05 | 10  | mA   |
| T <sub>J</sub>      | Operating Junction Temperature Range |  |       | 150 | °C   |
| T <sub>stg</sub>    | Storage Temperature Range            |  | -65   | 150 | °C   |

- (1) Stresses beyond those listed under *Absolute Maximum Ratings* may cause permanent damage to the device. These are stress ratings only, which do not imply functional operation of the device at these or any other conditions beyond those indicated under *Recommended Operating Conditions*. Exposure to absolute-maximum-rated conditions for extended periods may affect device reliability.
- (2) All voltage values are with respect to ANODE, unless otherwise noted.

### 6.2 ESD Ratings

|                    |                         |  | VALUE | UNIT |
|--------------------|-------------------------|--|-------|------|
| V <sub>(ESD)</sub> | Electrostatic discharge | Human body model (HBM), per ANSI/ESDA/JEDEC JS-001pins <sup>(1)</sup>          | ±2000 | V    |
|                    |                         | Charged-device model (CDM), per JEDEC specification JESD22-C101 <sup>(2)</sup> | ±1000 |      |

- (1) JEDEC document JEP155 states that 500V HBM allows safe manufacturing with a standard ESD control process. Manufacturing with less than 500V HBM is possible with the necessary precautions.
- (2) JEDEC document JEP157 states that 250V CDM allows safe manufacturing with a standard ESD control process. Manufacturing with less than 250V CDM is possible with the necessary precautions.

### 6.3 Thermal Information

| THERMAL METRIC <sup>(1)</sup> |   | TL43xx |     |    |    |        |        |        |     |    | UNIT |
|-------------------------------|---|--------|-----|----|----|--------|--------|--------|-----|----|------|
|                               |   | P      | PW  | D  | PS | DCK    | DBV    | DBZ    | LP  | PK |      |
|                               |   | 8 PINS |     |    |    | 6 PINS | 5 PINS | 3 PINS |     |    |      |
| R <sub>θJA</sub>              | Junction-to-ambient thermal resistance    | 85     | 149 | 97 | 95 | 259    | 206    | 206    | 140 | 52 | °C/W |
| R <sub>θJC(top)</sub>         | Junction-to-case (top) thermal resistance | 57     | 65  | 39 | 46 | 87     | 131    | 76     | 55  | 9  | °C/W |

- (1) For more information about traditional and new thermal metrics, see the *IC Package Thermal Metrics* application report ([SPRA953](#))

### 6.4 Recommended Operating Conditions

See <sup>(1)</sup>

|                 |                                  |         | MIN              | MAX | UNIT |
|-----------------|----------------------------------|---------|------------------|-----|------|
| V <sub>KA</sub> | Cathode Voltage                  |         | V <sub>ref</sub> | 36  | V    |
| I <sub>KA</sub> | Continuous Cathode Current Range |         | 1                | 100 | mA   |
| T <sub>A</sub>  | Operating Free-Air Temperature   | TL43xxC | 0                | 70  | °C   |
|                 |                                  | TL43xxI | -40              | 85  |      |
|                 |                                  | TL43xxQ | -40              | 125 |      |

- (1) Maximum power dissipation is a function of T<sub>J(max)</sub>, θ<sub>JA</sub>, and T<sub>A</sub>. The maximum allowable power dissipation at any allowable ambient temperature is P<sub>D</sub> = (T<sub>J(max)</sub> - T<sub>A</sub>)/θ<sub>JA</sub>. Operating at the absolute maximum T<sub>J</sub> of 150°C can affect reliability.

## 6.5 Electrical Characteristics, TL431C, TL432C

 over recommended operating conditions,  $T_A = 25^\circ\text{C}$  (unless otherwise noted)

| PARAMETER  |   | TEST CIRCUIT                   | TEST CONDITIONS   | MIN  | TYP  | MAX  | UNIT          |
|--|---|--------------------------------|---|--|------|------|---------------|
| $V_{\text{ref}}$                                     | Reference Voltage   | See <a href="#">Figure 7-1</a> | $V_{\text{KA}} = V_{\text{ref}}, I_{\text{KA}} = 10\text{mA}$                                     | 2440   | 2495 | 2550 | mV            |
| $V_{\text{I(dev)}}$                                  | Deviation of reference input voltage over full temperature range <sup>(1)</sup> | See <a href="#">Figure 7-1</a> | $V_{\text{KA}} = V_{\text{ref}}, I_{\text{KA}} = 10\text{mA}$                                     | SOT23-3 and TL432 devices                            | 6    | 16   | mV            |
|  |   |                                |   | All other devices                                    | 4    | 25   | mV            |
| $\frac{\Delta V_{\text{ref}}}{\Delta V_{\text{KA}}}$ | Ratio of change in reference voltage to the change in cathode voltage           | See <a href="#">Figure 7-2</a> | $I_{\text{KA}} = 10\text{mA}$   | $\Delta V_{\text{KA}} = 10\text{V} - V_{\text{ref}}$ | -1.4 | -2.7 | mV/V          |
|  |   |                                |   | $\Delta V_{\text{KA}} = 36\text{V} - 10\text{V}$     | -1   | -2   | mV/V          |
| $I_{\text{ref}}$                                     | Reference Input Current   | See <a href="#">Figure 7-2</a> | $I_{\text{KA}} = 10\text{mA}, R1 = 10\text{k}\Omega, R2 = \infty$                                 |  | 2    | 4    | $\mu\text{A}$ |
| $I_{\text{I(dev)}}$                                  | Deviation of reference input current over full temperature range <sup>(1)</sup> | See <a href="#">Figure 7-2</a> | $I_{\text{KA}} = 10\text{mA}, R1 = 10\text{k}\Omega, R2 = \infty$                                 |  | 0.4  | 1.2  | $\mu\text{A}$ |
| $I_{\text{min}}$                                     | Minimum cathode current for regulation  | See <a href="#">Figure 7-1</a> | $V_{\text{KA}} = V_{\text{ref}}$  |  | 0.4  | 1    | mA            |
| $I_{\text{off}}$                                     | Off-state cathode current   | See <a href="#">Figure 7-3</a> | $V_{\text{KA}} = 36\text{V}, V_{\text{ref}} = 0$  |  | 0.1  | 1    | $\mu\text{A}$ |
| $ Z_{\text{KA}} $                                    | Dynamic Impedance <sup>(2)</sup>  | See <a href="#">Figure 7-1</a> | $V_{\text{KA}} = V_{\text{ref}}, f \leq 1\text{kHz}, I_{\text{KA}} = 1\text{mA to } 100\text{mA}$ |  | 0.2  | 0.5  | $\Omega$      |

- (1) The deviation parameters  $V_{\text{I(dev)}}$  and  $I_{\text{I(dev)}}$  are defined as the differences between the maximum and minimum values obtained over the rated temperature range. For more details on  $V_{\text{I(dev)}}$  and how it relates to the average temperature coefficient, see [Temperature Coefficient](#).
- (2) The dynamic impedance is defined by  $|Z_{\text{KA}}| = \Delta V_{\text{KA}} / \Delta I_{\text{KA}}$ . For more details on  $|Z_{\text{KA}}|$  and how it relates to  $V_{\text{KA}}$ , see [Dynamic Impedance](#).

## 6.6 Electrical Characteristics, TL431I, TL432I

over recommended operating conditions,  $T_A = 25^\circ\text{C}$  (unless otherwise noted)

| PARAMETER                                |   | TEST CIRCUIT                   | TEST CONDITIONS   | MIN  | TYP  | MAX  | UNIT          |
|--|---|--------------------------------|---|--|------|------|---------------|
| $V_{\text{ref}}$                         | Reference Voltage   | See <a href="#">Figure 7-1</a> | $V_{K_A} = V_{\text{ref}}, I_{K_A} = 10\text{mA}$                                     | 2440   | 2495 | 2550 | mV            |
| $V_{I(\text{dev})}$                      | Deviation of reference input voltage over full temperature range <sup>(1)</sup> | See <a href="#">Figure 7-1</a> | $V_{K_A} = V_{\text{ref}}, I_{K_A} = 10\text{mA}$                                     | SOT23-3 and TL432 devices                      | 14   | 34   | mV            |
|  |   |                                |   | All other devices                              | 5    | 50   | mV            |
| $\Delta V_{\text{ref}} / \Delta V_{K_A}$ | Ratio of change in reference voltage to the change in cathode voltage           | See <a href="#">Figure 7-2</a> | $I_{K_A} = 10\text{mA}$   | $\Delta V_{K_A} = 10\text{V} - V_{\text{ref}}$ | -1.4 | -2.7 | mV/V          |
|  |   |                                |   | $\Delta V_{K_A} = 36\text{V} - 10\text{V}$     | -1   | -2   | mV/V          |
| $I_{\text{ref}}$                         | Reference Input Current   | See <a href="#">Figure 7-2</a> | $I_{K_A} = 10\text{mA}, R_1 = 10\text{k}\Omega, R_2 = \infty$                         |  | 2    | 4    | $\mu\text{A}$ |
| $I_{I(\text{dev})}$                      | Deviation of reference input current over full temperature range <sup>(1)</sup> | See <a href="#">Figure 7-2</a> | $I_{K_A} = 10\text{mA}, R_1 = 10\text{k}\Omega, R_2 = \infty$                         |  | 0.8  | 2.5  | $\mu\text{A}$ |
| $I_{\text{min}}$                         | Minimum cathode current for regulation  | See <a href="#">Figure 7-1</a> | $V_{K_A} = V_{\text{ref}}$  |  | 0.4  | 1    | mA            |
| $I_{\text{off}}$                         | Off-state cathode current   | See <a href="#">Figure 7-3</a> | $V_{K_A} = 36\text{V}, V_{\text{ref}} = 0$  |  | 0.1  | 1    | $\mu\text{A}$ |
| $ Z_{K_A} $                              | Dynamic Impedance <sup>(2)</sup>  | See <a href="#">Figure 7-1</a> | $V_{K_A} = V_{\text{ref}}, f \leq 1\text{kHz}, I_{K_A} = 1\text{mA to } 100\text{mA}$ |  | 0.2  | 0.5  | $\Omega$      |

- (1) The deviation parameters  $V_{I(\text{dev})}$  and  $I_{I(\text{dev})}$  are defined as the differences between the maximum and minimum values obtained over the rated temperature range. For more details on  $V_{I(\text{dev})}$  and how it relates to the average temperature coefficient, see [Temperature Coefficient](#).
- (2) The dynamic impedance is defined by  $|Z_{K_A}| = \Delta V_{K_A} / \Delta I_{K_A}$ . For more details on  $|Z_{K_A}|$  and how it relates to  $V_{K_A}$ , see [Dynamic Impedance](#).

## 6.7 Electrical Characteristics, TL431Q, TL432Q

 over recommended operating conditions,  $T_A = 25^\circ\text{C}$  (unless otherwise noted)

| PARAMETER  |   | TEST CIRCUIT                   | TEST CONDITIONS   | MIN  | TYP  | MAX  | UNIT          |
|--|---|--------------------------------|---|--|------|------|---------------|
| $V_{\text{ref}}$                                     | Reference Voltage   | See <a href="#">Figure 7-1</a> | $V_{\text{KA}} = V_{\text{ref}}, I_{\text{KA}} = 10\text{mA}$                                     | 2440   | 2495 | 2550 | mV            |
| $V_{\text{I(dev)}}$                                  | Deviation of reference input voltage over full temperature range <sup>(1)</sup> | See <a href="#">Figure 7-1</a> | $V_{\text{KA}} = V_{\text{ref}}, I_{\text{KA}} = 10\text{mA}$                                     |  | 14   | 34   | mV            |
| $\frac{\Delta V_{\text{ref}}}{\Delta V_{\text{KA}}}$ | Ratio of change in reference voltage to the change in cathode voltage           | See <a href="#">Figure 7-2</a> | $I_{\text{KA}} = 10\text{mA}$   | $\Delta V_{\text{KA}} = 10\text{V} - V_{\text{ref}}$ | -1.4 | -2.7 | mV/V          |
|  |   |                                |   | $\Delta V_{\text{KA}} = 36\text{V} - 10\text{V}$     | -1   | -2   | mV/V          |
| $I_{\text{ref}}$                                     | Reference Input Current   | See <a href="#">Figure 7-2</a> | $I_{\text{KA}} = 10\text{mA}, R1 = 10\text{k}\Omega, R2 = \infty$                                 |  | 2    | 4    | $\mu\text{A}$ |
| $I_{\text{I(dev)}}$                                  | Deviation of reference input current over full temperature range <sup>(1)</sup> | See <a href="#">Figure 7-2</a> | $I_{\text{KA}} = 10\text{mA}, R1 = 10\text{k}\Omega, R2 = \infty$                                 |  | 0.8  | 2.5  | $\mu\text{A}$ |
| $I_{\text{min}}$                                     | Minimum cathode current for regulation  | See <a href="#">Figure 7-1</a> | $V_{\text{KA}} = V_{\text{ref}}$  |  | 0.4  | 1    | mA            |
| $I_{\text{off}}$                                     | Off-state cathode current   | See <a href="#">Figure 7-3</a> | $V_{\text{KA}} = 36\text{V}, V_{\text{ref}} = 0$  |  | 0.1  | 1    | $\mu\text{A}$ |
| $ Z_{\text{KA}} $                                    | Dynamic Impedance <sup>(2)</sup>  | See <a href="#">Figure 7-1</a> | $V_{\text{KA}} = V_{\text{ref}}, f \leq 1\text{kHz}, I_{\text{KA}} = 1\text{mA to } 100\text{mA}$ |  | 0.2  | 0.5  | $\Omega$      |

- (1) The deviation parameters  $V_{\text{I(dev)}}$  and  $I_{\text{I(dev)}}$  are defined as the differences between the maximum and minimum values obtained over the rated temperature range. For more details on  $V_{\text{I(dev)}}$  and how it relates to the average temperature coefficient, see [Temperature Coefficient](#).
- (2) The dynamic impedance is defined by  $|Z_{\text{KA}}| = \Delta V_{\text{KA}} / \Delta I_{\text{KA}}$ . For more details on  $|Z_{\text{KA}}|$  and how it relates to  $V_{\text{KA}}$ , see [Dynamic Impedance](#).



## 6.8 Electrical Characteristics, TL431AC, TL432AC

over recommended operating conditions,  $T_A = 25^\circ\text{C}$  (unless otherwise noted)

| PARAMETER                                |   | TEST CIRCUIT                   | TEST CONDITIONS   | MIN  | TYP  | MAX  | UNIT          |
|--|---|--------------------------------|---|--|------|------|---------------|
| $V_{\text{ref}}$                         | Reference Voltage   | See <a href="#">Figure 7-1</a> | $V_{K_A} = V_{\text{ref}}, I_{K_A} = 10\text{mA}$                                     | 2470   | 2495 | 2520 | mV            |
| $V_{I(\text{dev})}$                      | Deviation of reference input voltage over full temperature range <sup>(1)</sup> | See <a href="#">Figure 7-1</a> | $V_{K_A} = V_{\text{ref}}, I_{K_A} = 10\text{mA}$                                     | SOT23-3 and TL432 devices                      | 6    | 16   | mV            |
|  |   |                                |   | All other devices                              | 4    | 25   | mV            |
| $\Delta V_{\text{ref}} / \Delta V_{K_A}$ | Ratio of change in reference voltage to the change in cathode voltage           | See <a href="#">Figure 7-2</a> | $I_{K_A} = 10\text{mA}$   | $\Delta V_{K_A} = 10\text{V} - V_{\text{ref}}$ | -1.4 | -2.7 | mV/V          |
|  |   |                                |   | $\Delta V_{K_A} = 36\text{V} - 10\text{V}$     | -1   | -2   | mV/V          |
| $I_{\text{ref}}$                         | Reference Input Current   | See <a href="#">Figure 7-2</a> | $I_{K_A} = 10\text{mA}, R_1 = 10\text{k}\Omega, R_2 = \infty$                         |  | 2    | 4    | $\mu\text{A}$ |
| $I_{I(\text{dev})}$                      | Deviation of reference input current over full temperature range <sup>(1)</sup> | See <a href="#">Figure 7-2</a> | $I_{K_A} = 10\text{mA}, R_1 = 10\text{k}\Omega, R_2 = \infty$                         |  | 0.8  | 1.2  | $\mu\text{A}$ |
| $I_{\text{min}}$                         | Minimum cathode current for regulation  | See <a href="#">Figure 7-1</a> | $V_{K_A} = V_{\text{ref}}$  |  | 0.4  | 0.6  | mA            |
| $I_{\text{off}}$                         | Off-state cathode current   | See <a href="#">Figure 7-3</a> | $V_{K_A} = 36\text{V}, V_{\text{ref}} = 0$  |  | 0.1  | 0.5  | $\mu\text{A}$ |
| $ Z_{K_A} $                              | Dynamic Impedance <sup>(2)</sup>  | See <a href="#">Figure 7-1</a> | $V_{K_A} = V_{\text{ref}}, f \leq 1\text{kHz}, I_{K_A} = 1\text{mA to } 100\text{mA}$ |  | 0.2  | 0.5  | $\Omega$      |

- (1) The deviation parameters  $V_{I(\text{dev})}$  and  $I_{I(\text{dev})}$  are defined as the differences between the maximum and minimum values obtained over the rated temperature range. For more details on  $V_{I(\text{dev})}$  and how it relates to the average temperature coefficient, see [Temperature Coefficient](#).
- (2) The dynamic impedance is defined by  $|Z_{K_A}| = \Delta V_{K_A} / \Delta I_{K_A}$ . For more details on  $|Z_{K_A}|$  and how it relates to  $V_{K_A}$ , see [Dynamic Impedance](#).

## 6.9 Electrical Characteristics, TL431AI, TL432AI

 over recommended operating conditions,  $T_A = 25^\circ\text{C}$  (unless otherwise noted)

| PARAMETER  |   | TEST CIRCUIT                   | TEST CONDITIONS   | MIN  | TYP  | MAX  | UNIT          |
|--|---|--------------------------------|---|--|------|------|---------------|
| $V_{\text{ref}}$                                     | Reference Voltage   | See <a href="#">Figure 7-1</a> | $V_{\text{KA}} = V_{\text{ref}}, I_{\text{KA}} = 10\text{mA}$                                     | 2470   | 2495 | 2520 | mV            |
| $V_{\text{I(dev)}}$                                  | Deviation of reference input voltage over full temperature range <sup>(1)</sup> | See <a href="#">Figure 7-1</a> | $V_{\text{KA}} = V_{\text{ref}}, I_{\text{KA}} = 10\text{mA}$                                     | SOT23-3 and TL432 devices                            | 14   | 34   | mV            |
|  |   |                                |   | All other devices                                    | 5    | 50   | mV            |
| $\frac{\Delta V_{\text{ref}}}{\Delta V_{\text{KA}}}$ | Ratio of change in reference voltage to the change in cathode voltage           | See <a href="#">Figure 7-2</a> | $I_{\text{KA}} = 10\text{mA}$   | $\Delta V_{\text{KA}} = 10\text{V} - V_{\text{ref}}$ | -1.4 | -2.7 | mV/V          |
|  |   |                                |   | $\Delta V_{\text{KA}} = 36\text{V} - 10\text{V}$     | -1   | -2   | mV/V          |
| $I_{\text{ref}}$                                     | Reference Input Current   | See <a href="#">Figure 7-2</a> | $I_{\text{KA}} = 10\text{mA}, R1 = 10\text{k}\Omega, R2 = \infty$                                 |  | 2    | 4    | $\mu\text{A}$ |
| $I_{\text{I(dev)}}$                                  | Deviation of reference input current over full temperature range <sup>(1)</sup> | See <a href="#">Figure 7-2</a> | $I_{\text{KA}} = 10\text{mA}, R1 = 10\text{k}\Omega, R2 = \infty$                                 |  | 0.8  | 2.5  | $\mu\text{A}$ |
| $I_{\text{min}}$                                     | Minimum cathode current for regulation  | See <a href="#">Figure 7-1</a> | $V_{\text{KA}} = V_{\text{ref}}$  |  | 0.4  | 0.7  | mA            |
| $I_{\text{off}}$                                     | Off-state cathode current   | See <a href="#">Figure 7-3</a> | $V_{\text{KA}} = 36\text{V}, V_{\text{ref}} = 0$  |  | 0.1  | 0.5  | $\mu\text{A}$ |
| $ Z_{\text{KA}} $                                    | Dynamic Impedance <sup>(2)</sup>  | See <a href="#">Figure 7-1</a> | $V_{\text{KA}} = V_{\text{ref}}, f \leq 1\text{kHz}, I_{\text{KA}} = 1\text{mA to } 100\text{mA}$ |  | 0.2  | 0.5  | $\Omega$      |

- (1) The deviation parameters  $V_{\text{I(dev)}}$  and  $I_{\text{I(dev)}}$  are defined as the differences between the maximum and minimum values obtained over the rated temperature range. For more details on  $V_{\text{I(dev)}}$  and how it relates to the average temperature coefficient, see [Temperature Coefficient](#).
- (2) The dynamic impedance is defined by  $|Z_{\text{KA}}| = \Delta V_{\text{KA}} / \Delta I_{\text{KA}}$ . For more details on  $|Z_{\text{KA}}|$  and how it relates to  $V_{\text{KA}}$ , see [Dynamic Impedance](#).

## 6.10 Electrical Characteristics, TL431AQ, TL432AQ

over recommended operating conditions,  $T_A = 25^\circ\text{C}$  (unless otherwise noted)

| PARAMETER  |   | TEST CIRCUIT                   | TEST CONDITIONS  | MIN  | TYP  | MAX  | UNIT          |
|--|---|--------------------------------|--|--|------|------|---------------|
| $V_{\text{ref}}$                                     | Reference Voltage   | See <a href="#">Figure 7-1</a> | $V_{\text{KA}} = V_{\text{ref}}, I_{\text{KA}} = 10\text{mA}$                                    | 2470   | 2495 | 2520 | mV            |
| $V_{\text{I(dev)}}$                                  | Deviation of reference input voltage over full temperature range <sup>(1)</sup> | See <a href="#">Figure 7-1</a> | $V_{\text{KA}} = V_{\text{ref}}, I_{\text{KA}} = 10\text{mA}$                                    |  | 14   | 34   | mV            |
| $\frac{\Delta V_{\text{ref}}}{\Delta V_{\text{KA}}}$ | Ratio of change in reference voltage to the change in cathode voltage           | See <a href="#">Figure 7-2</a> | $I_{\text{KA}} = 10\text{mA}$  | $\Delta V_{\text{KA}} = 10\text{V} - V_{\text{ref}}$ | -1.4 | -2.7 | mV/V          |
|  |   |                                |  | $\Delta V_{\text{KA}} = 36\text{V} - 10\text{V}$     | -1   | -2   | mV/V          |
| $I_{\text{ref}}$                                     | Reference Input Current   | See <a href="#">Figure 7-2</a> | $I_{\text{KA}} = 10\text{mA}, R1 = 10\text{k}\Omega, R2 = \infty$                                |  | 2    | 4    | $\mu\text{A}$ |
| $I_{\text{I(dev)}}$                                  | Deviation of reference input current over full temperature range <sup>(1)</sup> | See <a href="#">Figure 7-2</a> | $I_{\text{KA}} = 10\text{mA}, R1 = 10\text{k}\Omega, R2 = \infty$                                |  | 0.8  | 2.5  | $\mu\text{A}$ |
| $I_{\text{min}}$                                     | Minimum cathode current for regulation  | See <a href="#">Figure 7-1</a> | $V_{\text{KA}} = V_{\text{ref}}$   |  | 0.4  | 0.7  | mA            |
| $I_{\text{off}}$                                     | Off-state cathode current   | See <a href="#">Figure 7-3</a> | $V_{\text{KA}} = 36\text{V}, V_{\text{ref}} = 0$   |  | 0.1  | 0.5  | $\mu\text{A}$ |
| $ Z_{\text{KA}} $                                    | Dynamic Impedance <sup>(2)</sup>  | See <a href="#">Figure 7-1</a> | $V_{\text{KA}} = V_{\text{ref}}, f \leq \text{kHz}, I_{\text{KA}} = 1\text{mA to } 100\text{mA}$ |  | 0.2  | 0.5  | $\Omega$      |

- (1) The deviation parameters  $V_{\text{I(dev)}}$  and  $I_{\text{I(dev)}}$  are defined as the differences between the maximum and minimum values obtained over the rated temperature range. For more details on  $V_{\text{I(dev)}}$  and how it relates to the average temperature coefficient, see [Temperature Coefficient](#).
- (2) The dynamic impedance is defined by  $|Z_{\text{KA}}| = \Delta V_{\text{KA}} / \Delta I_{\text{KA}}$ . For more details on  $|Z_{\text{KA}}|$  and how it relates to  $V_{\text{KA}}$ , see [Dynamic Impedance](#).

## 6.11 Electrical Characteristics, TL431BC, TL432BC

 over recommended operating conditions,  $T_A = 25^\circ\text{C}$  (unless otherwise noted)

| PARAMETER  |   | TEST CIRCUIT                   | TEST CONDITIONS   | MIN  | TYP  | MAX  | UNIT          |
|--|---|--------------------------------|---|--|------|------|---------------|
| $V_{\text{ref}}$                                     | Reference Voltage   | See <a href="#">Figure 7-1</a> | $V_{\text{KA}} = V_{\text{ref}}, I_{\text{KA}} = 10\text{mA}$                                     | 2483   | 2495 | 2507 | mV            |
| $V_{\text{I(dev)}}$                                  | Deviation of reference input voltage over full temperature range <sup>(1)</sup> | See <a href="#">Figure 7-1</a> | $V_{\text{KA}} = V_{\text{ref}}, I_{\text{KA}} = 10\text{mA}$                                     |  | 6    | 16   | mV            |
| $\frac{\Delta V_{\text{ref}}}{\Delta V_{\text{KA}}}$ | Ratio of change in reference voltage to the change in cathode voltage           | See <a href="#">Figure 7-2</a> | $I_{\text{KA}} = 10\text{mA}$   | $\Delta V_{\text{KA}} = 10\text{V} - V_{\text{ref}}$ | -1.4 | -2.7 | mV/V          |
|  |   |                                |   | $\Delta V_{\text{KA}} = 36\text{V} - 10\text{V}$     | -1   | -2   | mV/V          |
| $I_{\text{ref}}$                                     | Reference Input Current   | See <a href="#">Figure 7-2</a> | $I_{\text{KA}} = 10\text{mA}, R1 = 10\text{k}\Omega, R2 = \infty$                                 |  | 2    | 4    | $\mu\text{A}$ |
| $I_{\text{I(dev)}}$                                  | Deviation of reference input current over full temperature range <sup>(1)</sup> | See <a href="#">Figure 7-2</a> | $I_{\text{KA}} = 10\text{mA}, R1 = 10\text{k}\Omega, R2 = \infty$                                 |  | 0.8  | 1.2  | $\mu\text{A}$ |
| $I_{\text{min}}$                                     | Minimum cathode current for regulation  | See <a href="#">Figure 7-1</a> | $V_{\text{KA}} = V_{\text{ref}}$  |  | 0.4  | 0.6  | mA            |
| $I_{\text{off}}$                                     | Off-state cathode current   | See <a href="#">Figure 7-3</a> | $V_{\text{KA}} = 36\text{V}, V_{\text{ref}} = 0$  |  | 0.1  | 0.5  | $\mu\text{A}$ |
| $ Z_{\text{KA}} $                                    | Dynamic Impedance <sup>(2)</sup>  | See <a href="#">Figure 7-1</a> | $V_{\text{KA}} = V_{\text{ref}}, f \leq 1\text{kHz}, I_{\text{KA}} = 1\text{mA to } 100\text{mA}$ |  | 0.2  | 0.5  | $\Omega$      |

- (1) The deviation parameters  $V_{\text{I(dev)}}$  and  $I_{\text{I(dev)}}$  are defined as the differences between the maximum and minimum values obtained over the rated temperature range. For more details on  $V_{\text{I(dev)}}$  and how it relates to the average temperature coefficient, see [Temperature Coefficient](#).
- (2) The dynamic impedance is defined by  $|Z_{\text{KA}}| = \Delta V_{\text{KA}} / \Delta I_{\text{KA}}$ . For more details on  $|Z_{\text{KA}}|$  and how it relates to  $V_{\text{KA}}$ , see [Dynamic Impedance](#).

## 6.12 Electrical Characteristics, TL431BI, TL432BI

over recommended operating conditions,  $T_A = 25^\circ\text{C}$  (unless otherwise noted)

| PARAMETER  |   | TEST CIRCUIT                   | TEST CONDITIONS   | MIN  | TYP  | MAX  | UNIT          |
|--|---|--------------------------------|---|--|------|------|---------------|
| $V_{\text{ref}}$                                     | Reference Voltage   | See <a href="#">Figure 7-1</a> | $V_{\text{KA}} = V_{\text{ref}}, I_{\text{KA}} = 10\text{mA}$                                     | 2483   | 2495 | 2507 | mV            |
| $V_{\text{I(dev)}}$                                  | Deviation of reference input voltage over full temperature range <sup>(1)</sup> | See <a href="#">Figure 7-1</a> | $V_{\text{KA}} = V_{\text{ref}}, I_{\text{KA}} = 10\text{mA}$                                     |  | 14   | 34   | mV            |
| $\frac{\Delta V_{\text{ref}}}{\Delta V_{\text{KA}}}$ | Ratio of change in reference voltage to the change in cathode voltage           | See <a href="#">Figure 7-2</a> | $I_{\text{KA}} = 10\text{mA}$   | $\Delta V_{\text{KA}} = 10\text{V} - V_{\text{ref}}$ | -1.4 | -2.7 | mV/V          |
|  |   |                                |   | $\Delta V_{\text{KA}} = 36\text{V} - 10\text{V}$     | -1   | -2   | mV/V          |
| $I_{\text{ref}}$                                     | Reference Input Current   | See <a href="#">Figure 7-2</a> | $I_{\text{KA}} = 10\text{mA}, R1 = 10\text{k}\Omega, R2 = \infty$                                 |  | 2    | 4    | $\mu\text{A}$ |
| $I_{\text{I(dev)}}$                                  | Deviation of reference input current over full temperature range <sup>(1)</sup> | See <a href="#">Figure 7-2</a> | $I_{\text{KA}} = 10\text{mA}, R1 = 10\text{k}\Omega, R2 = \infty$                                 |  | 0.8  | 2.5  | $\mu\text{A}$ |
| $I_{\text{min}}$                                     | Minimum cathode current for regulation  | See <a href="#">Figure 7-1</a> | $V_{\text{KA}} = V_{\text{ref}}$  |  | 0.4  | 0.7  | mA            |
| $I_{\text{off}}$                                     | Off-state cathode current   | See <a href="#">Figure 7-3</a> | $V_{\text{KA}} = 36\text{V}, V_{\text{ref}} = 0$  |  | 0.1  | 0.5  | $\mu\text{A}$ |
| $ Z_{\text{KA}} $                                    | Dynamic Impedance <sup>(2)</sup>  | See <a href="#">Figure 7-1</a> | $V_{\text{KA}} = V_{\text{ref}}, f \leq 1\text{kHz}, I_{\text{KA}} = 1\text{mA to } 100\text{mA}$ |  | 0.2  | 0.5  | $\Omega$      |

- (1) The deviation parameters  $V_{\text{I(dev)}}$  and  $I_{\text{I(dev)}}$  are defined as the differences between the maximum and minimum values obtained over the rated temperature range. For more details on  $V_{\text{I(dev)}}$  and how it relates to the average temperature coefficient, see [Temperature Coefficient](#).
- (2) The dynamic impedance is defined by  $|Z_{\text{KA}}| = \Delta V_{\text{KA}} / \Delta I_{\text{KA}}$ . For more details on  $|Z_{\text{KA}}|$  and how it relates to  $V_{\text{KA}}$ , see [Dynamic Impedance](#).

## 6.13 Electrical Characteristics, TL431BQ, TL432BQ

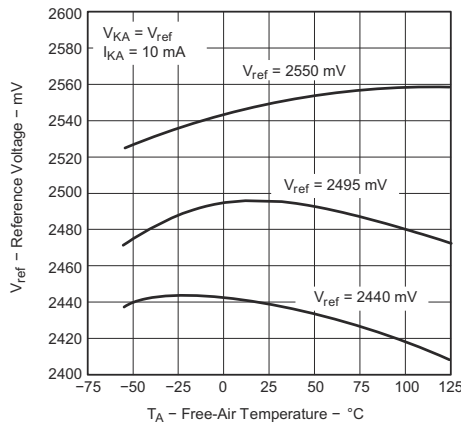
 over recommended operating conditions,  $T_A = 25^\circ\text{C}$  (unless otherwise noted)

| PARAMETER  |   | TEST CIRCUIT                   | TEST CONDITIONS   | MIN  | TYP  | MAX  | UNIT          |
|--|---|--------------------------------|---|--|------|------|---------------|
| $V_{\text{ref}}$                                     | Reference Voltage   | See <a href="#">Figure 7-1</a> | $V_{\text{KA}} = V_{\text{ref}}, I_{\text{KA}} = 10\text{mA}$                                     | 2483   | 2495 | 2507 | mV            |
| $V_{\text{I(dev)}}$                                  | Deviation of reference input voltage over full temperature range <sup>(1)</sup> | See <a href="#">Figure 7-1</a> | $V_{\text{KA}} = V_{\text{ref}}, I_{\text{KA}} = 10\text{mA}$                                     |  | 14   | 34   | mV            |
| $\frac{\Delta V_{\text{ref}}}{\Delta V_{\text{KA}}}$ | Ratio of change in reference voltage to the change in cathode voltage           | See <a href="#">Figure 7-2</a> | $I_{\text{KA}} = 10\text{mA}$   | $\Delta V_{\text{KA}} = 10\text{V} - V_{\text{ref}}$ | -1.4 | -2.7 | mV/V          |
|  |   |                                |   | $\Delta V_{\text{KA}} = 36\text{V} - 10\text{V}$     | -1   | -2   | mV/V          |
| $I_{\text{ref}}$                                     | Reference Input Current   | See <a href="#">Figure 7-2</a> | $I_{\text{KA}} = 10\text{mA}, R1 = 10\text{k}\Omega, R2 = \infty$                                 |  | 2    | 4    | $\mu\text{A}$ |
| $I_{\text{I(dev)}}$                                  | Deviation of reference input current over full temperature range <sup>(1)</sup> | See <a href="#">Figure 7-2</a> | $I_{\text{KA}} = 10\text{mA}, R1 = 10\text{k}\Omega, R2 = \infty$                                 |  | 0.8  | 2.5  | $\mu\text{A}$ |
| $I_{\text{min}}$                                     | Minimum cathode current for regulation  | See <a href="#">Figure 7-1</a> | $V_{\text{KA}} = V_{\text{ref}}$  |  | 0.4  | 0.7  | mA            |
| $I_{\text{off}}$                                     | Off-state cathode current   | See <a href="#">Figure 7-3</a> | $V_{\text{KA}} = 36\text{V}, V_{\text{ref}} = 0$  |  | 0.1  | 0.5  | $\mu\text{A}$ |
| $ Z_{\text{KA}} $                                    | Dynamic Impedance <sup>(2)</sup>  | See <a href="#">Figure 7-1</a> | $V_{\text{KA}} = V_{\text{ref}}, f \leq 1\text{kHz}, I_{\text{KA}} = 1\text{mA to } 100\text{mA}$ |  | 0.2  | 0.5  | $\Omega$      |

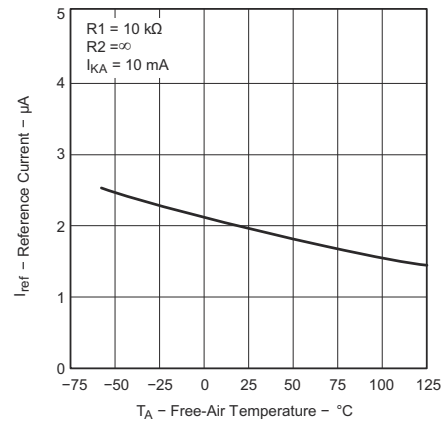
- (1) The deviation parameters  $V_{\text{I(dev)}}$  and  $I_{\text{I(dev)}}$  are defined as the differences between the maximum and minimum values obtained over the rated temperature range. For more details on  $V_{\text{I(dev)}}$  and how it relates to the average temperature coefficient, see [Temperature Coefficient](#).
- (2) The dynamic impedance is defined by  $|Z_{\text{KA}}| = \Delta V_{\text{KA}} / \Delta I_{\text{KA}}$ . For more details on  $|Z_{\text{KA}}|$  and how it relates to  $V_{\text{KA}}$ , see [Dynamic Impedance](#).

### 6.14 Typical Characteristics

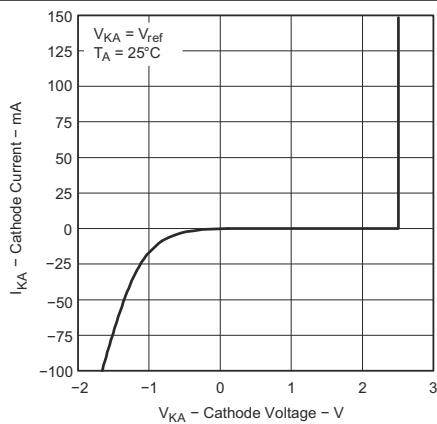
Data at high and low temperatures are applicable only within the recommended operating free-air temperature ranges of the various devices.



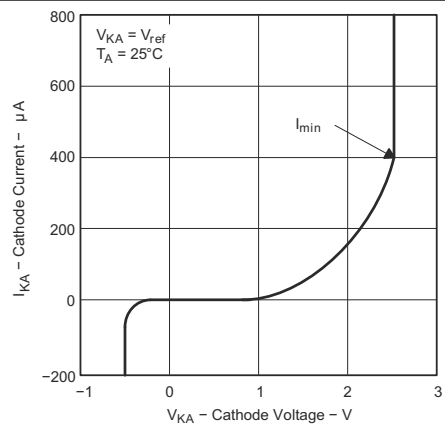
**Figure 6-1. Reference Voltage vs Free-Air Temperature**



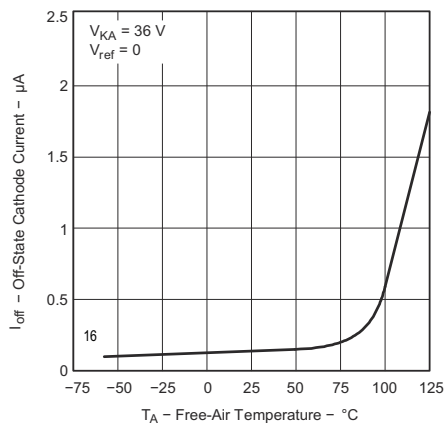
**Figure 6-2. Reference Current vs Free-Air Temperature**



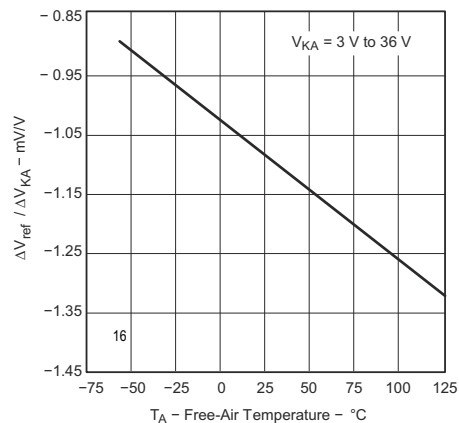
**Figure 6-3. Cathode Current vs Cathode Voltage**



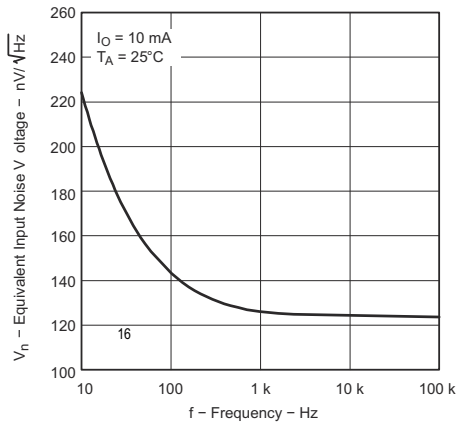
**Figure 6-4. Cathode Current vs Cathode Voltage**



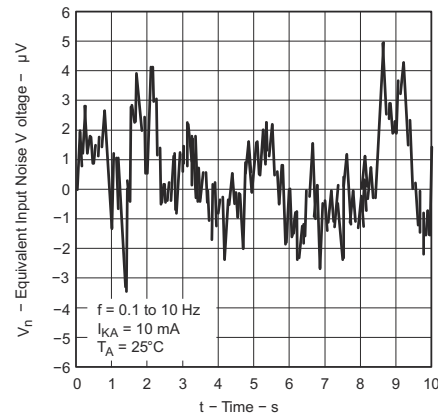
**Figure 6-5. Off-State Cathode Current vs Free-Air Temperature**



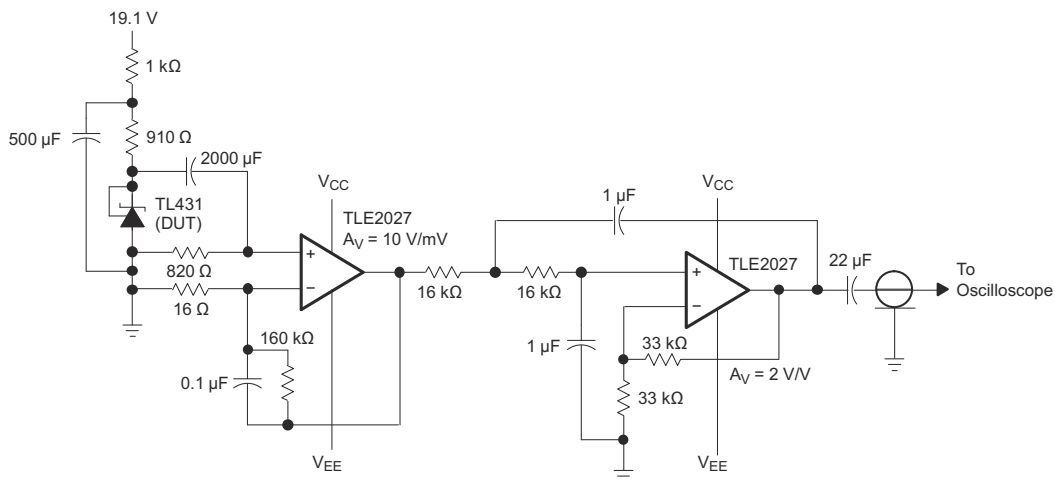
**Figure 6-6. Ratio of Delta Reference Voltage to Delta Cathode Voltage vs Free-Air Temperature**



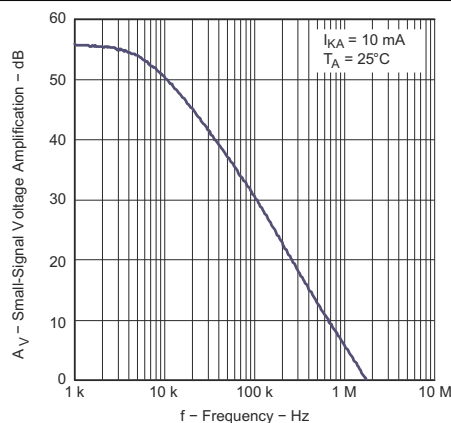
**Figure 6-7. Equivalent Input Noise Voltage vs Frequency**



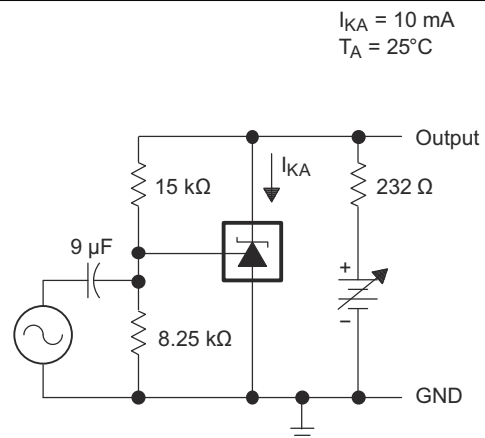
**Figure 6-8. Equivalent Input Noise Voltage Over a 10S Period**



**Figure 6-9. Test Circuit for Equivalent Input Noise Voltage Over a 10S Period**

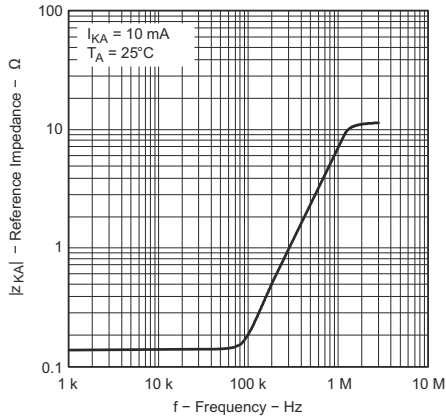


**Figure 6-10. Small-Signal Voltage Amplification vs Frequency**

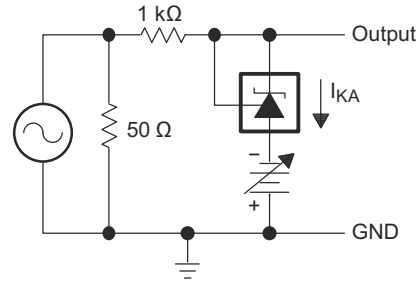


**Figure 6-11. Test Circuit for Voltage Amplification**

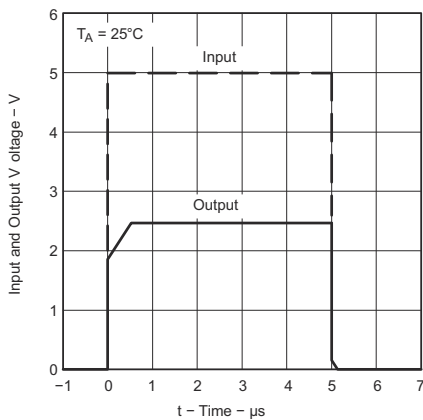




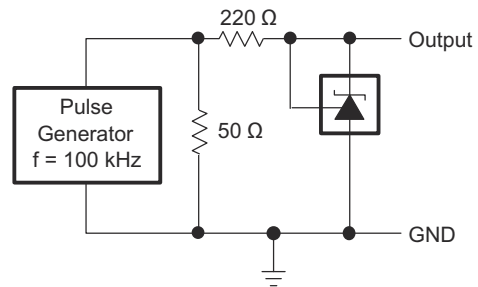
**Figure 6-12. Reference Impedance vs Frequency**



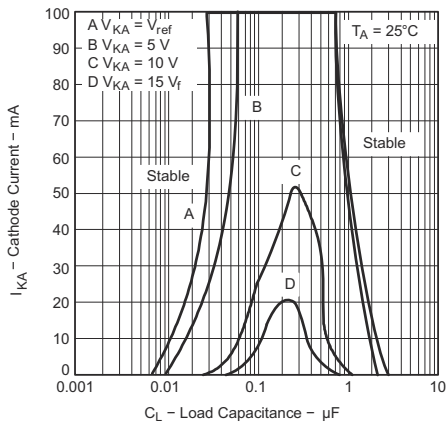
**Figure 6-13. Test Circuit for Reference Impedance**



**Figure 6-14. Pulse Response**

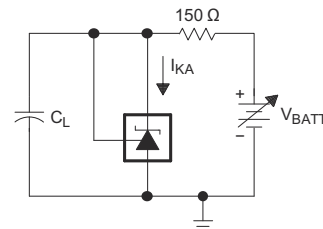


**Figure 6-15. Test Circuit for Pulse Response**

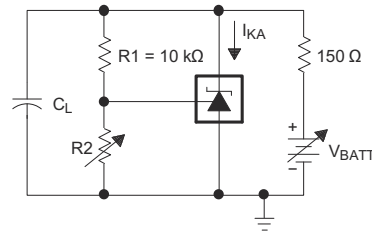


The areas under the curves represent conditions that can cause the device to oscillate. For curves B, C, and D, R2 and V+ are adjusted to establish the initial V<sub>KA</sub> and I<sub>KA</sub> conditions, with C<sub>L</sub> = 0. V<sub>BATT</sub> and C<sub>L</sub> then are adjusted to determine the ranges of stability.

**Figure 6-16. Stability Boundary Conditions for All TL431 and TL431A Devices (Except for SOT23-3, SC-70, and Q-Temp Devices)**



TEST CIRCUIT FOR CURVE A

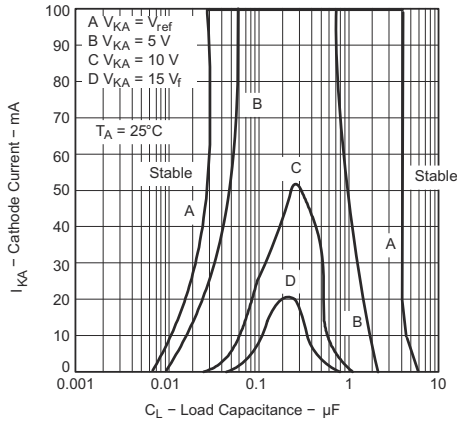


TEST CIRCUIT FOR CURVES B, C, AND D

**Figure 6-17. Test Circuits for Stability Boundary Conditions**

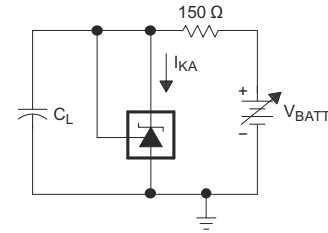
**TL431, TL432**

SLVS543S – AUGUST 2004 – REVISED MAY 2024

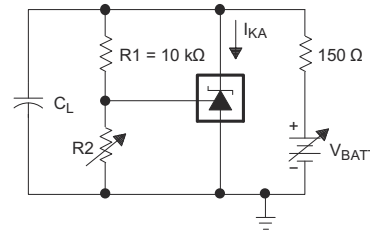


The areas under the curves represent conditions that can cause the device to oscillate. For curves B, C, and D,  $R_2$  and  $V_+$  are adjusted to establish the initial  $V_{KA}$  and  $I_{KA}$  conditions, with  $C_L = 0$ .  $V_{BATT}$  and  $C_L$  then are adjusted to determine the ranges of stability.

**Figure 6-18. Stability Boundary Conditions for All TL431B, TL432, SOT-23, SC-70, and Q-Temp Devices**



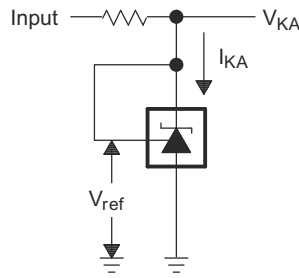
TEST CIRCUIT FOR CURVE A



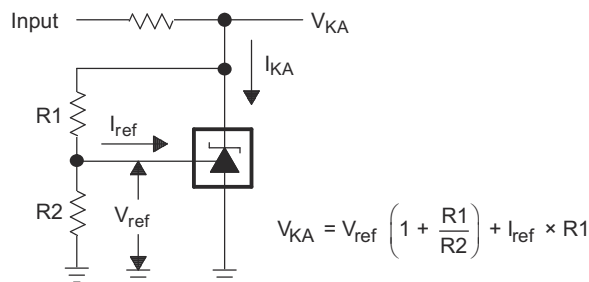
TEST CIRCUIT FOR CURVES B, C, AND D

**Figure 6-19. Test Circuit for Stability Boundary Conditions**

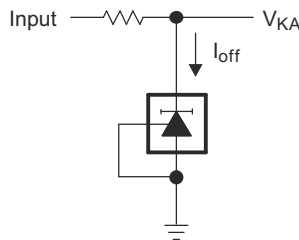
## 7 Parameter Measurement Information



**Figure 7-1. Test Circuit for  $V_{KA} = V_{ref}$**



**Figure 7-2. Test Circuit for  $V_{KA} > V_{ref}$**



**Figure 7-3. Test Circuit for  $I_{off}$**

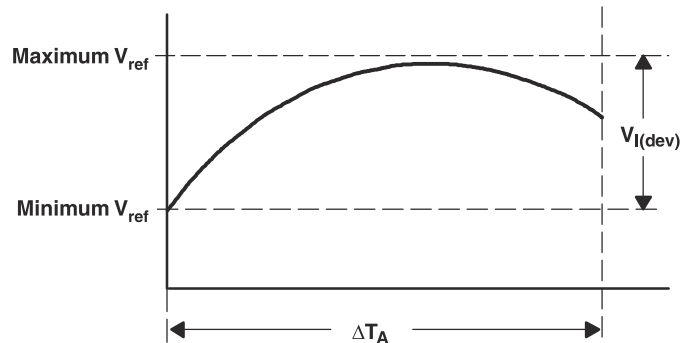
### 7.1 Temperature Coefficient

The deviation of the reference voltage,  $V_{ref}$ , over the full temperature range is known as  $V_{I(dev)}$ . The parameter of  $V_{I(dev)}$  can be used to find the temperature coefficient of the device. The average full-range temperature coefficient of the reference input voltage,  $\alpha_{V_{ref}}$ , is defined as:

$$|\alpha_{V_{ref}}| \left( \frac{\text{ppm}}{^{\circ}\text{C}} \right) = \frac{\left( \frac{V_{I(dev)}}{V_{ref \text{ at } 25^{\circ}\text{C}}} \right) \times 10^6}{\Delta T_A}$$

where:

$\Delta T_A$  is the rated operating temperature range of the device.



$\alpha_{V_{ref}}$  is positive or negative, depending on whether minimum  $V_{ref}$  or maximum  $V_{ref}$ , respectively, occurs at the lower temperature. The full-range temperature coefficient is an average and therefore any subsection of the rated operating temperature range can yield a value that is greater or less than the average. For more details on temperature coefficient, refer to the [Voltage Reference Selection Basics White Paper](#).

## 7.2 Dynamic Impedance

The dynamic impedance is defined as  $|Z_{KA}| = \frac{\Delta V_{KA}}{\Delta I_{KA}}$ . When the device is operating with two external resistors (see Figure 6-13), the total dynamic impedance of the circuit is given by  $|z'| = \frac{\Delta V}{\Delta I}$ , which is approximately equal to  $|Z_{KA}| \left(1 + \frac{R1}{R2}\right)$ .

The  $V_{KA}$  of the device can be affected by the dynamic impedance. The device test current  $I_{test}$  for  $V_{KA}$  is specified in the *Electrical Characteristics*. Any deviation from  $I_{test}$  can cause deviation on the output  $V_{KA}$ . Figure 7-4 shows the effect of the dynamic impedance on the  $V_{KA}$ .

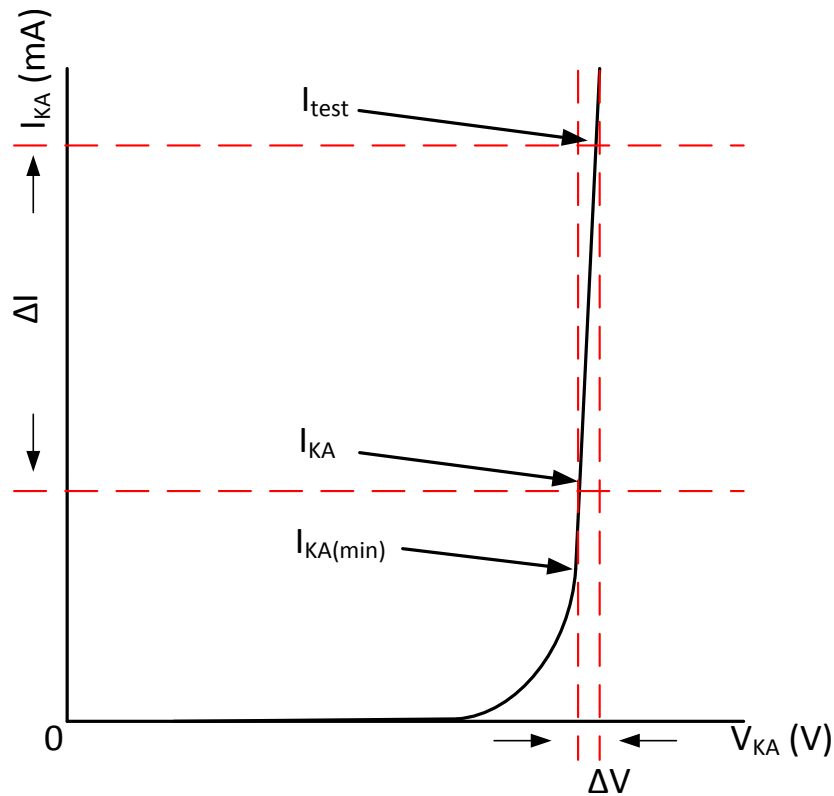


Figure 7-4. Dynamic Impedance

## 8 Detailed Description

### 8.1 Overview

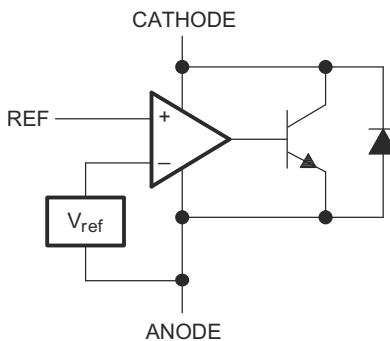
This standard device has proven ubiquity and versatility across a wide range of applications, ranging from power to signal path. This is due to its key components containing an accurate voltage reference & opamp, which are very fundamental analog building blocks. TL43xx is used in conjunction with its key components to behave as a single voltage reference, error amplifier, voltage clamp or comparator with integrated reference.

TL43xx can be operated and adjusted to cathode voltages from 2.5V to 36V, making this part optimum for a wide range of end equipments in industrial, auto, telecom & computing. In order for this device to behave as a shunt regulator or error amplifier,  $>1\text{mA}$  ( $I_{\text{min}}(\text{max})$ ) must be supplied in to the cathode pin. Under this condition, feedback can be applied from the Cathode and Ref pins to create a replica of the internal reference voltage.

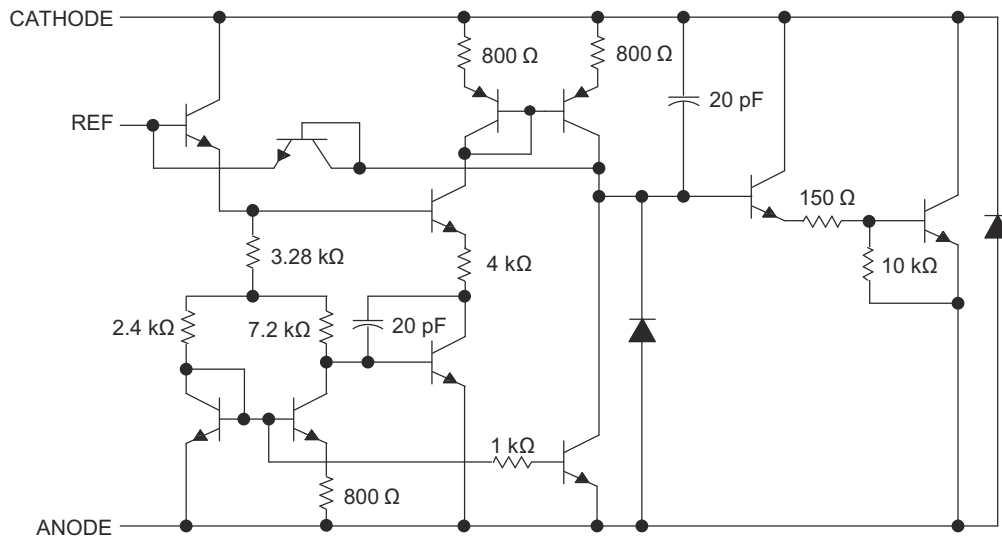
Various reference voltage options can be purchased with initial tolerances (at 25°C) of 0.5%, 1%, and 2%. These reference options are denoted by B (0.5%), A (1.0%) and blank (2.0%) after the TL431 or TL432. TL431 & TL432 are both functionally, but have separate pinout options.

The TL43xxC devices are characterized for operation from 0°C to 70°C, the TL43xxI devices are characterized for operation from -40°C to 85°C, and the TL43xxQ devices are characterized for operation from -40°C to 125°C.

### 8.2 Functional Block Diagram



**Figure 8-1. Equivalent Schematic**



**Figure 8-2. Detailed Schematic**

## 8.3 Feature Description

TL43xx consists of an internal reference and amplifier that outputs a sink current base on the difference between the reference pin and the virtual internal pin. The sink current is produced by the internal Darlington pair, shown in the above schematic ([Figure 8-2](#)). A Darlington pair is used for this device to be able to sink a maximum current of 100mA.

When operated with enough voltage headroom ( $\geq 2.5V$ ) and cathode current ( $I_{KA}$ ), TL431 forces the reference pin to 2.5V. However, the reference pin can not be left floating, as it needs  $I_{REF} \geq 4\mu A$  (please see [Electrical Characteristics, TL431C, TL432C](#)). This is because the reference pin is driven into an npn, which needs base current in order operate properly.

When feedback is applied from the Cathode and Reference pins, TL43xx behaves as a Zener diode, regulating to a constant voltage dependent on current being supplied into the cathode. This is due to the internal amplifier and reference entering the proper operating regions. The same amount of current needed in the above feedback situation must be applied to this device in open loop, servo or error amplifying implementations for it to be in the proper linear region giving TL43xx enough gain.

Unlike many linear regulators, TL43xx is internally compensated to be stable without an output capacitor between the cathode and anode. However, if it is desired to use an output capacitor [Figure 6-18](#) can be used as a guide to assist in choosing the correct capacitor to maintain stability.

## 8.4 Device Functional Modes

### 8.4.1 Open Loop (Comparator)

When the cathode/output voltage or current of TL43xx is not being fed back to the reference/input pin in any form, this device is operating in open loop. With proper cathode current ( $I_{KA}$ ) applied to this device, TL43xx will have the characteristics shown in [Figure 9-2](#). With such high gain in this configuration, TL43xx is typically used as a comparator. With the reference integrated makes TL43xx the preferred choice when users are trying to monitor a certain level of a single signal.

### 8.4.2 Closed Loop

When the cathode/output voltage or current of TL43xx is being fed back to the reference/input pin in any form, this device is operating in closed loop. The majority of applications involving TL43xx use it in this manner to regulate a fixed voltage or current. The feedback enables this device to behave as an error amplifier, computing a portion of the output voltage and adjusting it to maintain the desired regulation. This is done by relating the output voltage back to the reference pin in a manner to make it equal to the internal reference voltage, which can be accomplished via resistive or direct feedback.

## 9 Applications and Implementation

### Note

Information in the following applications sections is not part of the TI component specification, and TI does not warrant its accuracy or completeness. TI's customers are responsible for determining suitability of components for their purposes. Customers should validate and test their design implementation to confirm system functionality.

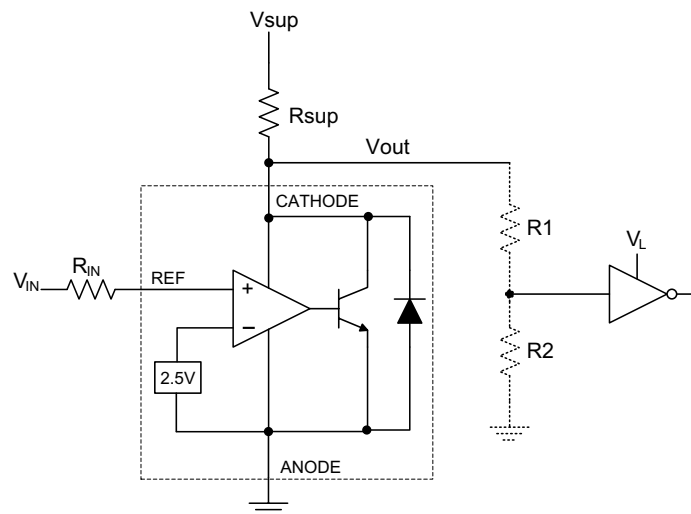
### 9.1 Application Information

As this device has many applications and setups, there are many situations that this datasheet can not characterize in detail. The linked application notes will help the designer make the best choices when using this part.

Application note [Understanding Stability Boundary Conditions Charts in TL431, TL432 Data Sheet](#) (SLVA482) will provide a deeper understanding of this devices stability characteristics and aid the user in making the right choices when choosing a load capacitor. Application note [Setting the Shunt Voltage on an Adjustable Shunt Regulator](#) (SLVA445) assists designers in setting the shunt voltage to achieve optimum accuracy for this device.

### 9.2 Typical Applications

#### 9.2.1 Comparator With Integrated Reference



**Figure 9-1. Comparator Application Schematic**

### 9.2.1.1 Design Requirements

For this design example, use the parameters listed in [Table 9-1](#) as the input parameters.

**Table 9-1. Design Parameters**

| DESIGN PARAMETER                       | EXAMPLE VALUE       |
|--|---------------------|
| Input Voltage Range                    | 0V to 5V            |
| Input Resistance                       | 10k $\Omega$        |
| Supply Voltage                         | 24V                 |
| Cathode Current ( $I_K$ )              | 5mA                 |
| Output Voltage Level                   | $\sim 2V - V_{SUP}$ |
| Logic Input Thresholds $V_{IH}/V_{IL}$ | $V_L$               |

### 9.2.1.2 Detailed Design Procedure

When using TL431 as a comparator with reference, determine the following:

- Input Voltage Range
- Reference Voltage Accuracy
- Output logic input high and low level thresholds
- Current Source resistance

#### 9.2.1.2.1 Basic Operation

In the configuration shown in [Figure 9-1](#) TL431 will behave as a comparator, comparing the  $V_{REF}$  pin voltage to the internal virtual reference voltage. When provided a proper cathode current ( $I_K$ ), TL43xx will have enough open loop gain to provide a quick response. This can be seen in [Figure 9-2](#), where the  $R_{SUP}=10\text{ k}\Omega$  ( $I_{KA}=500\text{ }\mu\text{A}$ ) situation responds much slower than  $R_{SUP}=1\text{ k}\Omega$  ( $I_{KA}=5\text{ mA}$ ). Operation near and below  $I_{min}$  could result in low gain, leading to a slow response.

##### 9.2.1.2.1.1 Overdrive

Slow or inaccurate responses can also occur when the reference pin is not provided enough overdrive voltage. This is the amount of voltage that is higher than the internal virtual reference. The internal virtual reference voltage will be within the range of  $2.5V \pm (0.5\%, 1.0\% \text{ or } 1.5\%)$  depending on which version is being used. The more overdrive voltage provided, the faster the TL431 will respond.

For applications where TL431 is being used as a comparator, it is best to set the trip point to greater than the positive expected error (i.e. +1.0% for the A version). For fast response, setting the trip point to >10% of the internal  $V_{REF}$  should suffice.

For minimal voltage drop or difference from  $V_{in}$  to the ref pin, it is recommended to use an input resistor <10k $\Omega$  to provide  $I_{ref}$ .



### 9.2.1.2.2 Output Voltage and Logic Input Level

For TL431 to properly be used as a comparator, the logic output must be readable by the receiving logic device. This is accomplished by knowing the input high and low level threshold voltage levels, typically denoted by  $V_{IH}$  &  $V_{IL}$ .

As seen in [Figure 9-2](#), TL431's output low level voltage in open-loop/comparator mode is ~2 V, which is typically sufficient for 5V supplied logic. However, would not work for 3.3V & 1.8V supplied logic. To accommodate this a resistive divider can be tied to the output to attenuate the output voltage to a voltage legible to the receiving low voltage logic device.

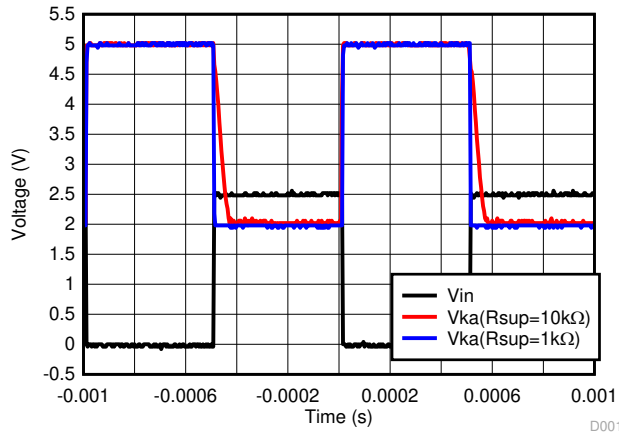
TL431's output high voltage is equal to  $V_{SUP}$  due to TL431 being open-collector. If  $V_{SUP}$  is much higher than the receiving logic's maximum input voltage tolerance, the output must be attenuated to accommodate the outgoing logic's reliability.

When using a resistive divider on the output, be sure to make the sum of the resistive divider ( $R1$  &  $R2$  in [Figure 9-1](#)) is much greater than  $R_{SUP}$  to not interfere with TL431's ability to pull close to  $V_{SUP}$  when turning off.

#### 9.2.1.2.2.1 Input Resistance

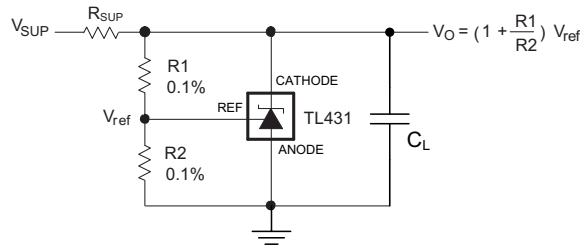
TL431 requires an input resistance in this application to source the reference current ( $I_{REF}$ ) needed from this device to be in the proper operating regions while turning on. The actual voltage seen at the ref pin will be  $V_{REF} = V_{IN} - I_{REF} * R_{IN}$ . Since  $I_{REF}$  can be as high as  $4\mu A$  it is recommended to use a resistance small enough that will mitigate the error that  $I_{REF}$  creates from  $V_{IN}$ .

### 9.2.1.3 Application Curve



**Figure 9-2. Output Response With Various Cathode Currents**

### 9.2.2 Shunt Regulator/Reference



**Figure 9-3. Shunt Regulator Schematic**

#### 9.2.2.1 Design Requirements

For this design example, use the parameters listed in [Table 9-1](#) as the input parameters.

**Table 9-2. Design Parameters**

| DESIGN PARAMETER                                | EXAMPLE VALUE |
|---|---------------|
| Reference Initial Accuracy                      | 1.0 %         |
| Supply Voltage                                  | 24V           |
| Cathode Current (I <sub>k</sub> )               | 5mA           |
| Output Voltage Level                            | 2.5V- 36V     |
| Load Capacitance                                | 10μF          |
| Feedback Resistor Values and Accuracy (R1 & R2) | 10kΩ          |

#### 9.2.2.2 Detailed Design Procedure

When using TL431 as a Shunt Regulator, determine the following:

- Input Voltage Range
- Temperature Range
- Total Accuracy
- Cathode Current
- Reference Initial Accuracy
- Output Capacitance

##### 9.2.2.2.1 Programming Output/Cathode Voltage

In order to program the cathode voltage to a regulated voltage a resistive bridge must be shunted between the cathode and anode pins with the mid point tied to the reference pin. This can be seen in [Figure 9-3](#), with R1 & R2 being the resistive bridge. The cathode/output voltage in the shunt regulator configuration can be approximated by the equation shown in [Figure 9-3](#). The cathode voltage can be more accurately determined by taking in to account the cathode current:

$$V_o = (1 + R1/R2) * V_{REF} - I_{REF} * R1$$

In order for this equation to be valid, TL43xx must be fully biased so that it has enough open loop gain to mitigate any gain error. This can be done by meeting the I<sub>min</sub> spec denoted in [Electrical Characteristics, TL431C, TL432C](#).

#### 9.2.2.2.2 Total Accuracy

When programming the output above unity gain ( $V_{KA}=V_{REF}$ ), TL43xx is susceptible to other errors that may effect the overall accuracy beyond  $V_{REF}$ . These errors include:

- R1 and R2 accuracies
- $V_{I(dev)}$  - Change in reference voltage over temperature
- $\Delta V_{REF} / \Delta V_{KA}$  - Change in reference voltage to the change in cathode voltage
- $|z_{KA}|$  - Dynamic impedance, causing a change in cathode voltage with cathode current

Worst case cathode voltage can be determined taking all of the variables in to account. Application note [Setting the Shunt Voltage on an Adjustable Shunt Regulator](#) (SLVA445) assists designers in setting the shunt voltage to achieve optimum accuracy for this device.

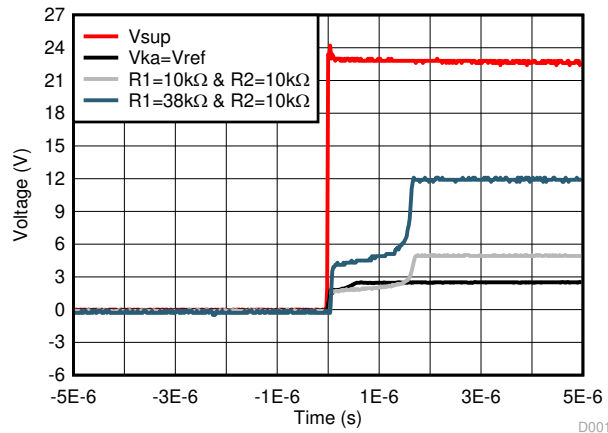
#### 9.2.2.2.3 Stability

Though TL43xx is stable with no capacitive load, the device that receives the shunt regulator's output voltage could present a capacitive load that is within the TL43xx region of stability, shown in [Figure 6-16](#) and [Figure 6-18](#). Also, designers may use capacitive loads to improve the transient response or for power supply decoupling. When using additional capacitance between Cathode and Anode, refer to [Figure 6-16](#) and [Figure 6-18](#). Also, application note [Understanding Stability Boundary Conditions Charts in TL431, TL432 Data Sheet](#) (SLVA482) will provide a deeper understanding of this devices stability characteristics and aid the user in making the right choices when choosing a load capacitor.

#### 9.2.2.2.4 Start-Up Time

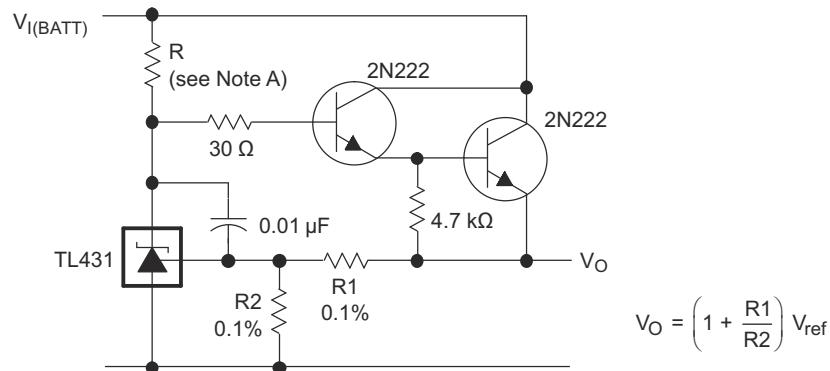
As shown in [Figure 9-4](#), TL43xx has a fast response up to ~2V and then slowly charges to its programmed value. This is due to the compensation capacitance (shown in [Figure 6-18](#)) the TL43xx has to meet its stability criteria. Despite the secondary delay, TL43xx still has a fast response suitable for many clamp applications.

#### 9.2.2.3 Application Curve



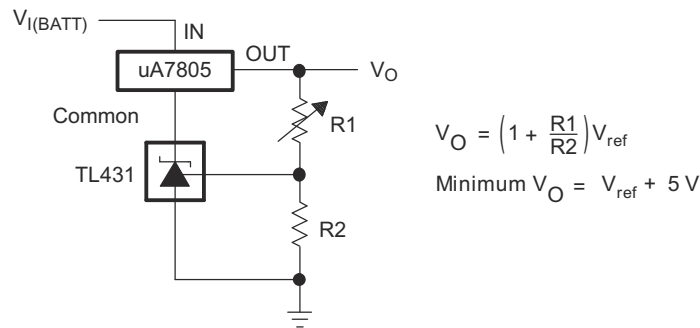
**Figure 9-4. TL43xx Start-Up Response**

### 9.3 System Examples

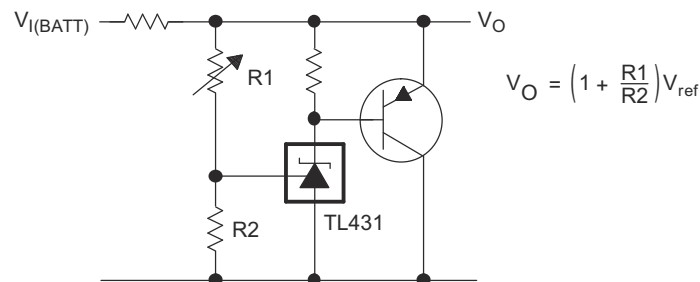


A. R should provide cathode current  $\geq 1\text{mA}$  to the TL431 at minimum  $V_{I(BATT)}$ .

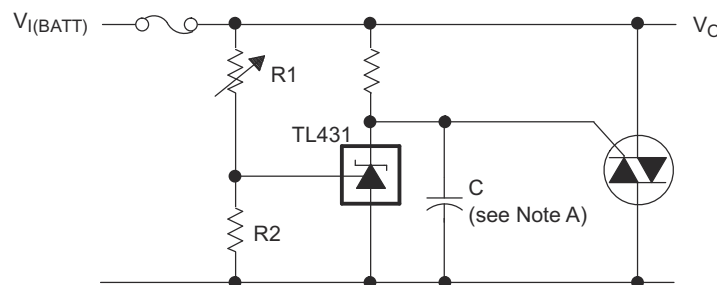
**Figure 9-5. Precision High-Current Series Regulator**



**Figure 9-6. Output Control of a Three-Terminal Fixed Regulator**

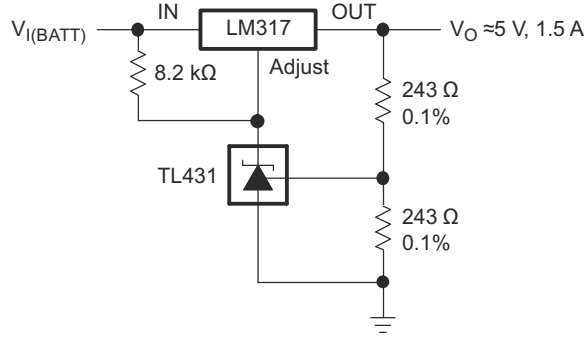


**Figure 9-7. High-Current Shunt Regulator**

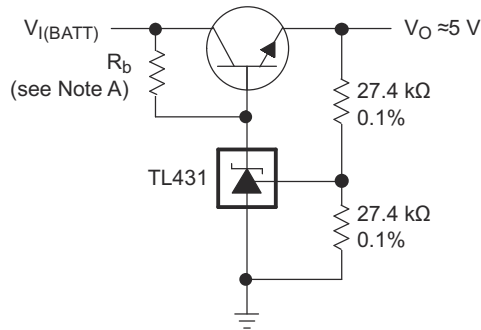


A. Refer to the stability boundary conditions in [Figure 6-16](#) and [Figure 6-18](#) to determine allowable values for C.

**Figure 9-8. Crowbar Circuit**

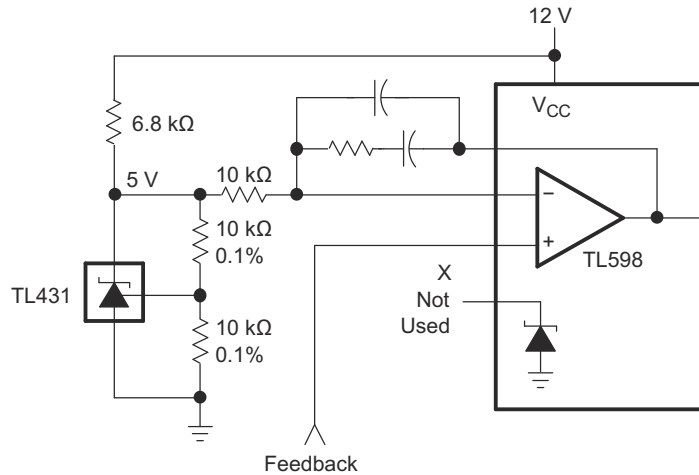


**Figure 9-9. Precision 5V, 1.5A Regulator**

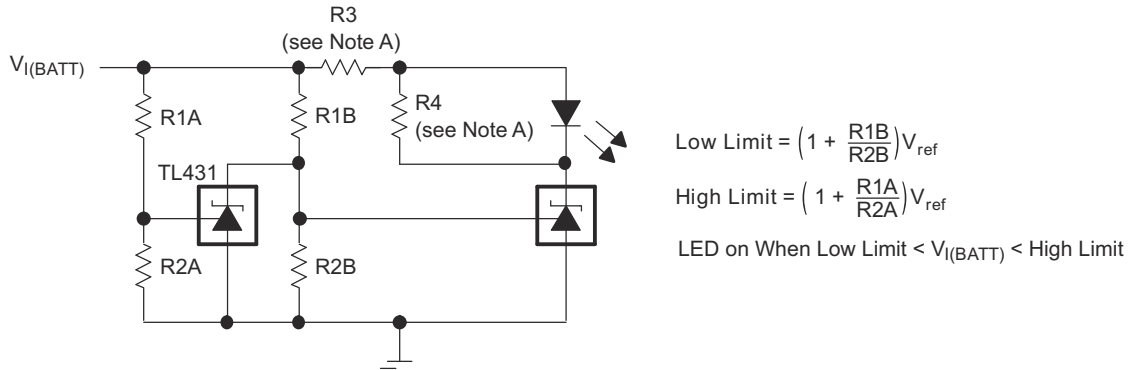


A.  $R_b$  should provide cathode current  $\geq 1\text{mA}$  to the TL431.

**Figure 9-10. Efficient 5V Precision Regulator**

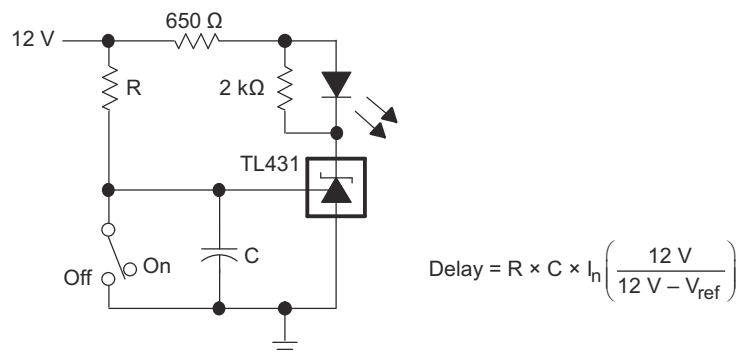


**Figure 9-11. PWM Converter With Reference**

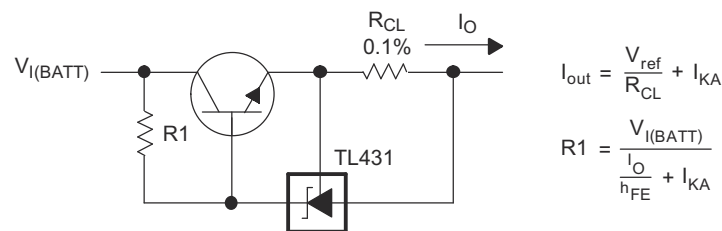


A. Select R3 and R4 to provide the desired LED intensity and cathode current  $\geq 1\text{mA}$  to the TL431 at the available  $V_{I(BATT)}$ .

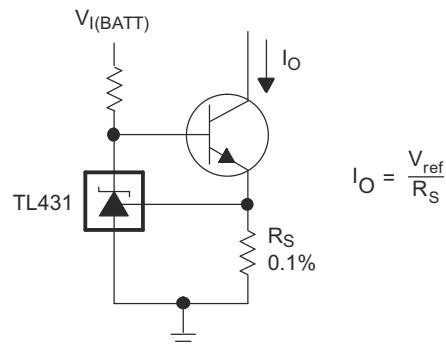
**Figure 9-12. Voltage Monitor**



**Figure 9-13. Delay Timer**



**Figure 9-14. Precision Current Limiter**



**Figure 9-15. Precision Constant-Current Sink**

## 9.4 Power Supply Recommendations

When using TL43xx as a Linear Regulator to supply a load, designers will typically use a bypass capacitor on the output/cathode pin. When doing this, be sure that the capacitance is within the stability criteria shown in [Figure 6-16](#) and [Figure 6-18](#).

In order to not exceed the maximum cathode current, be sure that the supply voltage is current limited. Also, be sure to limit the current being driven into the Ref pin, as not to exceed its absolute maximum rating.

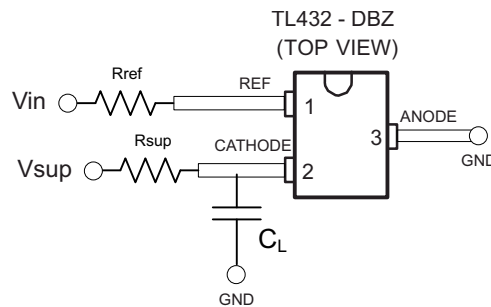
For applications shunting high currents, pay attention to the cathode and anode trace lengths, adjusting the width of the traces to have the proper current density.

## 9.5 Layout

### 9.5.1 Layout Guidelines

Bypass capacitors should be placed as close to the part as possible. Current-carrying traces need to have widths appropriate for the amount of current they are carrying; in the case of the TL43xx, these currents will be low.

### 9.5.2 Layout Example

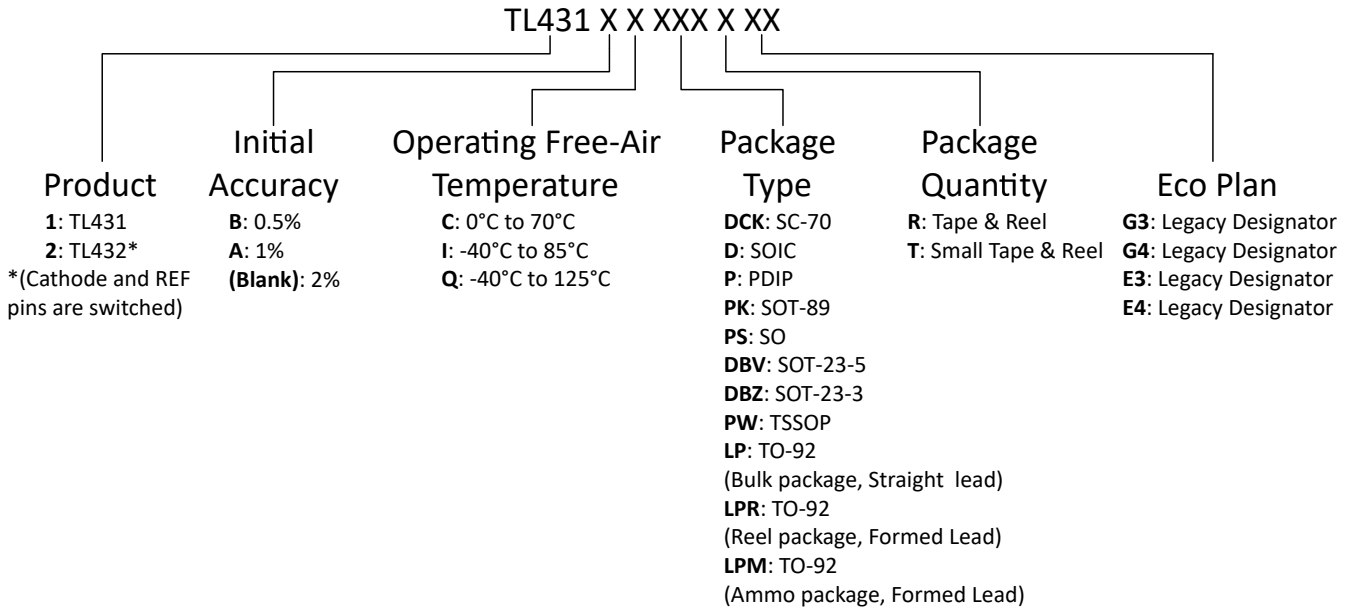


**Figure 9-16. DBZ Layout Example**

## 10 Device and Documentation Support

### 10.1 Device Nomenclature

TI assigns suffixes and prefixes to differentiate all the combinations of the TL43x family. The Eco Plan designator is a legacy designator that was used to differentiate Pb-free and Green devices. More details and possible orderable combinations are located on the Package Option Addendum in [Mechanical, Packaging, and Orderable Information](#).



### 10.2 Related Links

The table below lists quick access links. Categories include technical documents, support and community resources, tools and software, and quick access to sample or buy.

**Table 10-1. Related Links**

| PARTS | PRODUCT FOLDER             | SAMPLE & BUY               | TECHNICAL DOCUMENTS        | TOOLS & SOFTWARE           | SUPPORT & COMMUNITY        |
|-------|----------------------------|----------------------------|----------------------------|----------------------------|----------------------------|
| TL431 | <a href="#">Click here</a> | <a href="#">Click here</a> | <a href="#">Click here</a> | <a href="#">Click here</a> | <a href="#">Click here</a> |
| TL432 | <a href="#">Click here</a> | <a href="#">Click here</a> | <a href="#">Click here</a> | <a href="#">Click here</a> | <a href="#">Click here</a> |

### 10.3 Receiving Notification of Documentation Updates

To receive notification of documentation updates, navigate to the device product folder on [ti.com](http://ti.com). Click on *Notifications* to register and receive a weekly digest of any product information that has changed. For change details, review the revision history included in any revised document.

### 10.4 Support Resources

[TI E2E™ support forums](#) are an engineer's go-to source for fast, verified answers and design help — straight from the experts. Search existing answers or ask your own question to get the quick design help you need.

Linked content is provided "AS IS" by the respective contributors. They do not constitute TI specifications and do not necessarily reflect TI's views; see TI's [Terms of Use](#).

### 10.5 Trademarks

TI E2E™ is a trademark of Texas Instruments.  
 All trademarks are the property of their respective owners.



## 10.6 Electrostatic Discharge Caution



This integrated circuit can be damaged by ESD. Texas Instruments recommends that all integrated circuits be handled with appropriate precautions. Failure to observe proper handling and installation procedures can cause damage.

ESD damage can range from subtle performance degradation to complete device failure. Precision integrated circuits may be more susceptible to damage because very small parametric changes could cause the device not to meet its published specifications.

## 10.7 Glossary

[TI Glossary](#) This glossary lists and explains terms, acronyms, and definitions.

## 11 Revision History

| <b>Changes from Revision R (August 2023) to Revision S (May 2024)</b> | <b>Page</b> |
|---|-------------|
| • Updated pinout diagrams.....  | 4           |

| <b>Changes from Revision Q (July 2022) to Revision R (August 2023)</b>                     | <b>Page</b> |
|--|-------------|
| • Updated <i>Applications</i> section links.....   | 1           |
| • Updated <i>Description</i> section.....  | 1           |
| • Removed KTP package.....   | 4           |
| • Added detailed <i>Temperature Coefficient</i> and <i>Dynamic Impedance</i> sections..... | 19          |
| • Updated <i>Applications</i> section.....   | 26          |
| • Updated LP package in <i>Device Nomenclature</i> figure.....                             | 32          |

| <b>Changes from Revision P (November 2018) to Revision Q (July 2022)</b>                              | <b>Page</b> |
|---|-------------|
| • Updated the numbering format for tables, figures, and cross-references throughout the document..... | 1           |
| • Corrected the device names in the <i>Pin Functions</i> table.....                                   | 4           |

| <b>Changes from Revision O (January 2015) to Revision P (November 2018)</b> | <b>Page</b> |
|---|-------------|
| • Added text to the <i>Description</i> section.....                         | 1           |
| • Added <i>TL43x Device Comparison Table</i> .....                          | 3           |
| • Added <i>TL43x Device Nomenclature</i> section.....                       | 32          |

| <b>Changes from Revision N (January 2014) to Revision O (January 2015)</b>   | <b>Page</b> |
|--|-------------|
| • Added <i>Applications</i> , <i>Device Information</i> table, <i>Pin Functions</i> table, <i>ESD Ratings</i> table, <i>Thermal Information</i> table, <i>Feature Description</i> section, <i>Device Functional Modes</i> , <i>Application and Implementation</i> section, <i>Power Supply Recommendations</i> section, <i>Layout</i> section, <i>Device and Documentation Support</i> section, and <i>Mechanical, Packaging, and Orderable Information</i> section..... | 1           |
| • Added <i>Applications</i> .....  | 1           |

## 12 Mechanical, Packaging, and Orderable Information

The following pages include mechanical packaging and orderable information. This information is the most current data available for the designated devices. This data is subject to change without notice and revision of this document. For browser based versions of this data sheet, refer to the left hand navigation.

**PACKAGING INFORMATION**

| Orderable Device | Status<br>(1) | Package Type | Package Drawing | Pins | Package Qty | Eco Plan<br>(2) | Lead finish/<br>Ball material<br>(6) | MSL Peak Temp<br>(3) | Op Temp (°C) | Device Marking<br>(4/5)  | Samples                 |
|------------------|---------------|--------------|-----------------|------|-------------|-----------------|--------------------------------------|----------------------|--------------|--------------------------|-------------------------|
| TL431ACD         | ACTIVE        | SOIC         | D               | 8    | 75          | RoHS & Green    | NIPDAU                               | Level-1-260C-UNLIM   | 0 to 70      | 431AC                    | <a href="#">Samples</a> |
| TL431ACDBVR      | ACTIVE        | SOT-23       | DBV             | 5    | 3000        | RoHS & Green    | NIPDAU   SN                          | Level-1-260C-UNLIM   | 0 to 70      | (TACG, TACJ, TACS)       | <a href="#">Samples</a> |
| TL431ACDBVT      | ACTIVE        | SOT-23       | DBV             | 5    | 250         | RoHS & Green    | NIPDAU   SN                          | Level-1-260C-UNLIM   | 0 to 70      | (TACG, TACJ, TACU)       | <a href="#">Samples</a> |
| TL431ACDBZR      | ACTIVE        | SOT-23       | DBZ             | 3    | 3000        | RoHS & Green    | NIPDAU   SN                          | Level-1-260C-UNLIM   | 0 to 70      | (TAC3, TACG, TACS, TACU) | <a href="#">Samples</a> |
| TL431ACDBZRG4    | ACTIVE        | SOT-23       | DBZ             | 3    | 3000        | RoHS & Green    | NIPDAU                               | Level-1-260C-UNLIM   | 0 to 70      | TAC3                     | <a href="#">Samples</a> |
| TL431ACDBZT      | ACTIVE        | SOT-23       | DBZ             | 3    | 250         | RoHS & Green    | NIPDAU   SN                          | Level-1-260C-UNLIM   | 0 to 70      | (TAC3, TACG, TACS, TACU) | <a href="#">Samples</a> |
| TL431ACDBZTG4    | ACTIVE        | SOT-23       | DBZ             | 3    | 250         | RoHS & Green    | NIPDAU                               | Level-1-260C-UNLIM   | 0 to 70      | TAC3                     | <a href="#">Samples</a> |
| TL431ACDCKR      | ACTIVE        | SC70         | DCK             | 6    | 3000        | RoHS & Green    | NIPDAU                               | Level-1-260C-UNLIM   | 0 to 70      | (T4S, T4U)               | <a href="#">Samples</a> |
| TL431ACDR        | ACTIVE        | SOIC         | D               | 8    | 2500        | RoHS & Green    | NIPDAU   SN                          | Level-1-260C-UNLIM   | 0 to 70      | 431AC                    | <a href="#">Samples</a> |
| TL431ACDRG4      | OBSOLETE      | SOIC         | D               | 8    |             | TBD             | Call TI                              | Call TI              | 0 to 70      | 431AC                    |                         |
| TL431ACLP        | ACTIVE        | TO-92        | LP              | 3    | 1000        | RoHS & Green    | SN                                   | N / A for Pkg Type   | 0 to 70      | TL431AC                  | <a href="#">Samples</a> |
| TL431ACLPM       | ACTIVE        | TO-92        | LP              | 3    | 2000        | RoHS & Green    | SN                                   | N / A for Pkg Type   | 0 to 70      | TL431AC                  | <a href="#">Samples</a> |
| TL431ACLPR       | ACTIVE        | TO-92        | LP              | 3    | 2000        | RoHS & Green    | SN                                   | N / A for Pkg Type   | 0 to 70      | TL431AC                  | <a href="#">Samples</a> |
| TL431ACP         | ACTIVE        | PDIP         | P               | 8    | 50          | RoHS & Green    | NIPDAU                               | N / A for Pkg Type   | 0 to 70      | TL431ACP                 | <a href="#">Samples</a> |
| TL431ACPK        | ACTIVE        | SOT-89       | PK              | 3    | 1000        | RoHS & Green    | SN                                   | Level-2-260C-1 YEAR  | 0 to 70      | 4A                       | <a href="#">Samples</a> |
| TL431ACPSR       | ACTIVE        | SO           | PS              | 8    | 2000        | RoHS & Green    | NIPDAU                               | Level-1-260C-UNLIM   | 0 to 70      | T431A                    | <a href="#">Samples</a> |
| TL431ACPWR       | ACTIVE        | TSSOP        | PW              | 8    | 2000        | RoHS & Green    | NIPDAU                               | Level-1-260C-UNLIM   | 0 to 70      | T431A                    | <a href="#">Samples</a> |
| TL431AID         | ACTIVE        | SOIC         | D               | 8    | 75          | RoHS & Green    | NIPDAU                               | Level-1-260C-UNLIM   | -40 to 85    | 431AI                    | <a href="#">Samples</a> |
| TL431AIDBVR      | ACTIVE        | SOT-23       | DBV             | 5    | 3000        | RoHS & Green    | NIPDAU   SN                          | Level-1-260C-UNLIM   | -40 to 85    | (TAIG, TAIJ, TAIS)       | <a href="#">Samples</a> |

| Orderable Device | Status<br>(1) | Package Type | Package Drawing | Pins | Package Qty | Eco Plan<br>(2) | Lead finish/<br>Ball material<br>(6) | MSL Peak Temp<br>(3) | Op Temp (°C) | Device Marking<br>(4/5)  | Samples                 |
|------------------|---------------|--------------|-----------------|------|-------------|-----------------|--------------------------------------|----------------------|--------------|--------------------------|-------------------------|
| TL431AIDBVRG4    | OBSOLETE      | SOT-23       | DBV             | 5    |             | TBD             | Call TI                              | Call TI              | -40 to 85    | TAIG                     |                         |
| TL431AIDBVT      | ACTIVE        | SOT-23       | DBV             | 5    | 250         | RoHS & Green    | NIPDAU   SN                          | Level-1-260C-UNLIM   | -40 to 85    | (TAIG, TAIJ, TAIU)       | <a href="#">Samples</a> |
| TL431AIDBZR      | ACTIVE        | SOT-23       | DBZ             | 3    | 3000        | RoHS & Green    | NIPDAU   SN                          | Level-1-260C-UNLIM   | -40 to 85    | (T3AG, TAI3, TAIS, TAIU) | <a href="#">Samples</a> |
| TL431AIDBZRG4    | ACTIVE        | SOT-23       | DBZ             | 3    | 3000        | RoHS & Green    | NIPDAU                               | Level-1-260C-UNLIM   | -40 to 85    | TAI3                     | <a href="#">Samples</a> |
| TL431AIDBZT      | ACTIVE        | SOT-23       | DBZ             | 3    | 250         | RoHS & Green    | NIPDAU   SN                          | Level-1-260C-UNLIM   | -40 to 85    | (T3AG, TAI3, TAIS, TAIU) | <a href="#">Samples</a> |
| TL431AIDBZTG4    | ACTIVE        | SOT-23       | DBZ             | 3    | 250         | RoHS & Green    | NIPDAU                               | Level-1-260C-UNLIM   | -40 to 85    | TAI3                     | <a href="#">Samples</a> |
| TL431AIDCKR      | ACTIVE        | SC70         | DCK             | 6    | 3000        | RoHS & Green    | NIPDAU                               | Level-1-260C-UNLIM   | -40 to 85    | T5U                      | <a href="#">Samples</a> |
| TL431AIDCKRE4    | ACTIVE        | SC70         | DCK             | 6    | 3000        | TBD             | Call TI                              | Call TI              | -40 to 85    |                          | <a href="#">Samples</a> |
| TL431AIDCKRG4    | ACTIVE        | SC70         | DCK             | 6    | 3000        | RoHS & Green    | NIPDAU                               | Level-1-260C-UNLIM   | -40 to 85    | T5U                      | <a href="#">Samples</a> |
| TL431AIDCKT      | ACTIVE        | SC70         | DCK             | 6    | 250         | RoHS & Green    | NIPDAU                               | Level-1-260C-UNLIM   | -40 to 85    | T5U                      | <a href="#">Samples</a> |
| TL431AIDR        | ACTIVE        | SOIC         | D               | 8    | 2500        | RoHS & Green    | NIPDAU   SN                          | Level-1-260C-UNLIM   | -40 to 85    | 431AI                    | <a href="#">Samples</a> |
| TL431AIDRG4      | OBSOLETE      | SOIC         | D               | 8    |             | TBD             | Call TI                              | Call TI              | -40 to 85    | 431AI                    |                         |
| TL431AILP        | ACTIVE        | TO-92        | LP              | 3    | 1000        | RoHS & Green    | SN                                   | N / A for Pkg Type   | -40 to 85    | TL431AI                  | <a href="#">Samples</a> |
| TL431AILPM       | ACTIVE        | TO-92        | LP              | 3    | 2000        | RoHS & Green    | SN                                   | N / A for Pkg Type   | -40 to 85    | TL431AI                  | <a href="#">Samples</a> |
| TL431AILPR       | ACTIVE        | TO-92        | LP              | 3    | 2000        | RoHS & Green    | SN                                   | N / A for Pkg Type   | -40 to 85    | TL431AI                  | <a href="#">Samples</a> |
| TL431AIPK        | ACTIVE        | SOT-89       | PK              | 3    | 1000        | RoHS & Green    | SN                                   | Level-2-260C-1 YEAR  | -40 to 85    | 4B                       | <a href="#">Samples</a> |
| TL431AQDBVR      | ACTIVE        | SOT-23       | DBV             | 5    | 3000        | RoHS & Green    | NIPDAU   SN                          | Level-1-260C-UNLIM   | -40 to 125   | (TAQG, TAQJ, TAQU)       | <a href="#">Samples</a> |
| TL431AQDBVT      | ACTIVE        | SOT-23       | DBV             | 5    | 250         | RoHS & Green    | NIPDAU   SN                          | Level-1-260C-UNLIM   | -40 to 125   | (TAQG, TAQJ, TAQU)       | <a href="#">Samples</a> |
| TL431AQDBZR      | ACTIVE        | SOT-23       | DBZ             | 3    | 3000        | RoHS & Green    | NIPDAU   SN<br>  NIPDAUAG            | Level-1-260C-UNLIM   | -40 to 125   | (TAQ3, TAQG, TAQS, TAQU) | <a href="#">Samples</a> |
| TL431AQDBZRG4    | ACTIVE        | SOT-23       | DBZ             | 3    | 3000        | RoHS & Green    | NIPDAU   NIPDAUAG                    | Level-1-260C-UNLIM   | -40 to 125   | TAQS                     | <a href="#">Samples</a> |

| Orderable Device | Status<br>(1) | Package Type | Package Drawing | Pins | Package Qty | Eco Plan<br>(2) | Lead finish/<br>Ball material<br>(6) | MSL Peak Temp<br>(3) | Op Temp (°C) | Device Marking<br>(4/5)     | Samples                 |
|------------------|---------------|--------------|-----------------|------|-------------|-----------------|--------------------------------------|----------------------|--------------|-----------------------------|-------------------------|
| TL431AQDBZT      | ACTIVE        | SOT-23       | DBZ             | 3    | 250         | RoHS & Green    | NIPDAU   SN<br>  NIPDAUAG            | Level-1-260C-UNLIM   | -40 to 125   | (TAQG, TAQS, TAQU)          | <a href="#">Samples</a> |
| TL431AQDBZTG4    | ACTIVE        | SOT-23       | DBZ             | 3    | 250         | RoHS & Green    | NIPDAU   NIPDAUAG                    | Level-1-260C-UNLIM   | -40 to 125   | TAQS                        | <a href="#">Samples</a> |
| TL431AQDCKR      | ACTIVE        | SC70         | DCK             | 6    | 3000        | RoHS & Green    | NIPDAU                               | Level-1-260C-UNLIM   | -40 to 125   | T7U                         | <a href="#">Samples</a> |
| TL431AQDCKT      | ACTIVE        | SC70         | DCK             | 6    | 250         | RoHS & Green    | NIPDAU                               | Level-1-260C-UNLIM   | -40 to 125   | T7U                         | <a href="#">Samples</a> |
| TL431AQP         | ACTIVE        | SOT-89       | PK              | 3    | 1000        | RoHS & Green    | SN                                   | Level-2-260C-1 YEAR  | -40 to 125   | 4D                          | <a href="#">Samples</a> |
| TL431BCD         | ACTIVE        | SOIC         | D               | 8    | 75          | RoHS & Green    | NIPDAU                               | Level-1-260C-UNLIM   | 0 to 70      | T431B                       | <a href="#">Samples</a> |
| TL431BCDBVR      | ACTIVE        | SOT-23       | DBV             | 5    | 3000        | RoHS & Green    | NIPDAU   SN                          | Level-1-260C-UNLIM   | 0 to 70      | (T3GG, T3GJ, T3GU)          | <a href="#">Samples</a> |
| TL431BCDBVT      | ACTIVE        | SOT-23       | DBV             | 5    | 250         | RoHS & Green    | NIPDAU   SN                          | Level-1-260C-UNLIM   | 0 to 70      | (T3GG, T3GJ, T3GU)          | <a href="#">Samples</a> |
| TL431BCDBZR      | ACTIVE        | SOT-23       | DBZ             | 3    | 3000        | RoHS & Green    | NIPDAU   SN                          | Level-1-260C-UNLIM   | 0 to 70      | (T3G3, T3GG, T3GS,<br>T3GU) | <a href="#">Samples</a> |
| TL431BCDBZRG4    | ACTIVE        | SOT-23       | DBZ             | 3    | 3000        | RoHS & Green    | NIPDAU                               | Level-1-260C-UNLIM   | 0 to 70      | T3G3                        | <a href="#">Samples</a> |
| TL431BCDBZT      | ACTIVE        | SOT-23       | DBZ             | 3    | 250         | RoHS & Green    | NIPDAU   SN                          | Level-1-260C-UNLIM   | 0 to 70      | (T3G3, T3GG, T3GS,<br>T3GU) | <a href="#">Samples</a> |
| TL431BCDBZTG4    | ACTIVE        | SOT-23       | DBZ             | 3    | 250         | RoHS & Green    | NIPDAU                               | Level-1-260C-UNLIM   | 0 to 70      | T3G3                        | <a href="#">Samples</a> |
| TL431BCDCKR      | ACTIVE        | SC70         | DCK             | 6    | 3000        | RoHS & Green    | NIPDAU                               | Level-1-260C-UNLIM   | 0 to 70      | T2U                         | <a href="#">Samples</a> |
| TL431BCDCKT      | ACTIVE        | SC70         | DCK             | 6    | 250         | RoHS & Green    | NIPDAU                               | Level-1-260C-UNLIM   | 0 to 70      | T2U                         | <a href="#">Samples</a> |
| TL431BCDE4       | ACTIVE        | SOIC         | D               | 8    | 75          | TBD             | Call TI                              | Call TI              | 0 to 70      |                             | <a href="#">Samples</a> |
| TL431BCDR        | ACTIVE        | SOIC         | D               | 8    | 2500        | RoHS & Green    | NIPDAU                               | Level-1-260C-UNLIM   | 0 to 70      | T431B                       | <a href="#">Samples</a> |
| TL431BCLP        | ACTIVE        | TO-92        | LP              | 3    | 1000        | RoHS & Green    | SN                                   | N / A for Pkg Type   | 0 to 70      | T431B                       | <a href="#">Samples</a> |
| TL431BCLPR       | ACTIVE        | TO-92        | LP              | 3    | 2000        | RoHS & Green    | SN                                   | N / A for Pkg Type   | 0 to 70      | T431B                       | <a href="#">Samples</a> |
| TL431BCPK        | ACTIVE        | SOT-89       | PK              | 3    | 1000        | RoHS & Green    | SN                                   | Level-2-260C-1 YEAR  | 0 to 70      | 4C                          | <a href="#">Samples</a> |
| TL431BID         | ACTIVE        | SOIC         | D               | 8    | 75          | RoHS & Green    | NIPDAU                               | Level-1-260C-UNLIM   | -40 to 85    | Z431B                       | <a href="#">Samples</a> |

| Orderable Device | Status<br>(1) | Package Type | Package Drawing | Pins | Package Qty | Eco Plan<br>(2) | Lead finish/<br>Ball material<br>(6) | MSL Peak Temp<br>(3) | Op Temp (°C) | Device Marking<br>(4/5)  | Samples                 |
|------------------|---------------|--------------|-----------------|------|-------------|-----------------|--------------------------------------|----------------------|--------------|--------------------------|-------------------------|
| TL431BIDBVR      | ACTIVE        | SOT-23       | DBV             | 5    | 3000        | RoHS & Green    | NIPDAU   SN                          | Level-1-260C-UNLIM   | -40 to 85    | (T3FG, T3FJ, T3FU)       | <a href="#">Samples</a> |
| TL431BIDBVT      | ACTIVE        | SOT-23       | DBV             | 5    | 250         | RoHS & Green    | NIPDAU   SN                          | Level-1-260C-UNLIM   | -40 to 85    | (T3FG, T3FJ, T3FU)       | <a href="#">Samples</a> |
| TL431BIDBZR      | ACTIVE        | SOT-23       | DBZ             | 3    | 3000        | RoHS & Green    | NIPDAU   SN                          | Level-1-260C-UNLIM   | -40 to 85    | (T3F3, T3FG, T3FS, T3FU) | <a href="#">Samples</a> |
| TL431BIDBZRG4    | ACTIVE        | SOT-23       | DBZ             | 3    | 3000        | RoHS & Green    | NIPDAU                               | Level-1-260C-UNLIM   | -40 to 85    | T3F3                     | <a href="#">Samples</a> |
| TL431BIDBZT      | ACTIVE        | SOT-23       | DBZ             | 3    | 250         | RoHS & Green    | NIPDAU   SN                          | Level-1-260C-UNLIM   | -40 to 85    | (T3F3, T3FG, T3FS, T3FU) | <a href="#">Samples</a> |
| TL431BIDBZTG4    | ACTIVE        | SOT-23       | DBZ             | 3    | 250         | RoHS & Green    | NIPDAU                               | Level-1-260C-UNLIM   | -40 to 85    | T3F3                     | <a href="#">Samples</a> |
| TL431BIDCKR      | ACTIVE        | SC70         | DCK             | 6    | 3000        | RoHS & Green    | NIPDAU                               | Level-1-260C-UNLIM   | -40 to 85    | T3U                      | <a href="#">Samples</a> |
| TL431BIDCKT      | ACTIVE        | SC70         | DCK             | 6    | 250         | RoHS & Green    | NIPDAU                               | Level-1-260C-UNLIM   | -40 to 85    | T3U                      | <a href="#">Samples</a> |
| TL431BIDE4       | ACTIVE        | SOIC         | D               | 8    | 75          | TBD             | Call TI                              | Call TI              | -40 to 85    |                          | <a href="#">Samples</a> |
| TL431BIDG4       | ACTIVE        | SOIC         | D               | 8    | 75          | TBD             | Call TI                              | Call TI              | -40 to 85    |                          | <a href="#">Samples</a> |
| TL431BIDR        | ACTIVE        | SOIC         | D               | 8    | 2500        | RoHS & Green    | NIPDAU   SN                          | Level-1-260C-UNLIM   | -40 to 85    | Z431B                    | <a href="#">Samples</a> |
| TL431BIDRG4      | OBSOLETE      | SOIC         | D               | 8    |             | TBD             | Call TI                              | Call TI              | -40 to 85    | Z431B                    |                         |
| TL431BILP        | ACTIVE        | TO-92        | LP              | 3    | 1000        | RoHS & Green    | SN                                   | N / A for Pkg Type   | -40 to 85    | Z431B                    | <a href="#">Samples</a> |
| TL431BILPR       | ACTIVE        | TO-92        | LP              | 3    | 2000        | RoHS & Green    | SN                                   | N / A for Pkg Type   | -40 to 85    | Z431B                    | <a href="#">Samples</a> |
| TL431BIP         | OBSOLETE      | PDIP         | P               | 8    |             | TBD             | Call TI                              | Call TI              | -40 to 85    | TL431BIP                 |                         |
| TL431BIPK        | ACTIVE        | SOT-89       | PK              | 3    | 1000        | RoHS & Green    | SN                                   | Level-2-260C-1 YEAR  | -40 to 85    | 4I                       | <a href="#">Samples</a> |
| TL431BQD         | ACTIVE        | SOIC         | D               | 8    | 75          | RoHS & Green    | NIPDAU                               | Level-1-260C-UNLIM   | -40 to 125   | T431BQ                   | <a href="#">Samples</a> |
| TL431BQDBVR      | ACTIVE        | SOT-23       | DBV             | 5    | 3000        | RoHS & Green    | NIPDAU   SN                          | Level-1-260C-UNLIM   | -40 to 125   | (T3HJ, T3HU)             | <a href="#">Samples</a> |
| TL431BQDBVT      | ACTIVE        | SOT-23       | DBV             | 5    | 250         | RoHS & Green    | NIPDAU   SN                          | Level-1-260C-UNLIM   | -40 to 125   | (T3HJ, T3HU)             | <a href="#">Samples</a> |
| TL431BQDBZR      | ACTIVE        | SOT-23       | DBZ             | 3    | 3000        | RoHS & Green    | NIPDAU   SN<br>  NIPDAUAG            | Level-1-260C-UNLIM   | -40 to 125   | (T3H3, T3HG, T3HS, T3HU) | <a href="#">Samples</a> |
| TL431BQDBZRG4    | ACTIVE        | SOT-23       | DBZ             | 3    | 3000        | RoHS & Green    | NIPDAU   NIPDAUAG                    | Level-1-260C-UNLIM   | -40 to 125   | T3HS                     | <a href="#">Samples</a> |

| Orderable Device | Status<br>(1) | Package Type | Package Drawing | Pins | Package Qty | Eco Plan<br>(2) | Lead finish/<br>Ball material<br>(6) | MSL Peak Temp<br>(3) | Op Temp (°C) | Device Marking<br>(4/5)     | Samples                 |
|------------------|---------------|--------------|-----------------|------|-------------|-----------------|--------------------------------------|----------------------|--------------|-----------------------------|-------------------------|
| TL431BQDBZT      | ACTIVE        | SOT-23       | DBZ             | 3    | 250         | RoHS & Green    | NIPDAU   SN<br>  NIPDAUAG            | Level-1-260C-UNLIM   | -40 to 125   | (T3HG, T3HS, T3HU)          | <a href="#">Samples</a> |
| TL431BQDBZTG4    | ACTIVE        | SOT-23       | DBZ             | 3    | 250         | RoHS & Green    | NIPDAU   NIPDAUAG                    | Level-1-260C-UNLIM   | -40 to 125   | T3HS                        | <a href="#">Samples</a> |
| TL431BQDCKR      | ACTIVE        | SC70         | DCK             | 6    | 3000        | RoHS & Green    | NIPDAU                               | Level-1-260C-UNLIM   | -40 to 125   | T8U                         | <a href="#">Samples</a> |
| TL431BQDCKT      | ACTIVE        | SC70         | DCK             | 6    | 250         | RoHS & Green    | NIPDAU                               | Level-1-260C-UNLIM   | -40 to 125   | T8U                         | <a href="#">Samples</a> |
| TL431BQDE4       | ACTIVE        | SOIC         | D               | 8    | 75          | TBD             | Call TI                              | Call TI              | -40 to 125   |                             | <a href="#">Samples</a> |
| TL431BQDR        | ACTIVE        | SOIC         | D               | 8    | 2500        | RoHS & Green    | NIPDAU                               | Level-1-260C-UNLIM   | -40 to 125   | T431BQ                      | <a href="#">Samples</a> |
| TL431BQDRG4      | ACTIVE        | SOIC         | D               | 8    | 2500        | TBD             | Call TI                              | Call TI              | -40 to 125   |                             | <a href="#">Samples</a> |
| TL431BQLP        | ACTIVE        | TO-92        | LP              | 3    | 1000        | RoHS & Green    | SN                                   | N / A for Pkg Type   | -40 to 125   | T431BQ                      | <a href="#">Samples</a> |
| TL431BQLPM       | ACTIVE        | TO-92        | LP              | 3    | 2000        | RoHS & Green    | SN                                   | N / A for Pkg Type   | -40 to 125   | T431BQ                      | <a href="#">Samples</a> |
| TL431BQLPR       | ACTIVE        | TO-92        | LP              | 3    | 2000        | RoHS & Green    | SN                                   | N / A for Pkg Type   | -40 to 125   | T431BQ                      | <a href="#">Samples</a> |
| TL431BQPK        | ACTIVE        | SOT-89       | PK              | 3    | 1000        | RoHS & Green    | SN                                   | Level-2-260C-1 YEAR  | -40 to 125   | 3H                          | <a href="#">Samples</a> |
| TL431CD          | ACTIVE        | SOIC         | D               | 8    | 75          | RoHS & Green    | NIPDAU                               | Level-1-260C-UNLIM   | 0 to 70      | TL431C                      | <a href="#">Samples</a> |
| TL431CDBVR       | ACTIVE        | SOT-23       | DBV             | 5    | 3000        | RoHS & Green    | NIPDAU   SN                          | Level-1-260C-UNLIM   | 0 to 70      | (T3CG, T3CJ, T3CS)          | <a href="#">Samples</a> |
| TL431CDBVT       | ACTIVE        | SOT-23       | DBV             | 5    | 250         | RoHS & Green    | NIPDAU   SN                          | Level-1-260C-UNLIM   | 0 to 70      | (T3CG, T3CJ, T3CS)          | <a href="#">Samples</a> |
| TL431CDBZR       | ACTIVE        | SOT-23       | DBZ             | 3    | 3000        | RoHS & Green    | NIPDAU   SN                          | Level-1-260C-UNLIM   | 0 to 70      | (T3C3, T3CG, T3CS,<br>T3CU) | <a href="#">Samples</a> |
| TL431CDBZRG4     | ACTIVE        | SOT-23       | DBZ             | 3    | 3000        | RoHS & Green    | NIPDAU                               | Level-1-260C-UNLIM   | 0 to 70      | T3C3                        | <a href="#">Samples</a> |
| TL431CDBZT       | ACTIVE        | SOT-23       | DBZ             | 3    | 250         | RoHS & Green    | NIPDAU   SN                          | Level-1-260C-UNLIM   | 0 to 70      | (T3CG, T3CS, T3CU)          | <a href="#">Samples</a> |
| TL431CDBZTG4     | ACTIVE        | SOT-23       | DBZ             | 3    | 250         | RoHS & Green    | NIPDAU   NIPDAUAG                    | Level-1-260C-UNLIM   | 0 to 70      | T3CS                        | <a href="#">Samples</a> |
| TL431CDG4        | ACTIVE        | SOIC         | D               | 8    | 75          | TBD             | Call TI                              | Call TI              | 0 to 70      |                             | <a href="#">Samples</a> |
| TL431CDR         | ACTIVE        | SOIC         | D               | 8    | 2500        | RoHS & Green    | NIPDAU   SN                          | Level-1-260C-UNLIM   | 0 to 70      | TL431C                      | <a href="#">Samples</a> |

| Orderable Device | Status<br>(1) | Package Type | Package Drawing | Pins | Package Qty | Eco Plan<br>(2)  | Lead finish/<br>Ball material<br>(6) | MSL Peak Temp<br>(3) | Op Temp (°C) | Device Marking<br>(4/5)     | Samples                 |
|------------------|---------------|--------------|-----------------|------|-------------|------------------|--------------------------------------|----------------------|--------------|-----------------------------|-------------------------|
| TL431CDR-J       | ACTIVE        | SOIC         | D               | 8    | 2500        | RoHS & Green     | NIPDAU                               | Level-1-260C-UNLIM   | 0 to 70      | TL431C                      | <a href="#">Samples</a> |
| TL431CDRG4       | OBSOLETE      | SOIC         | D               | 8    |             | TBD              | Call TI                              | Call TI              | 0 to 70      | TL431C                      |                         |
| TL431CLP         | ACTIVE        | TO-92        | LP              | 3    | 1000        | RoHS & Green     | SN                                   | N / A for Pkg Type   | 0 to 70      | TL431C                      | <a href="#">Samples</a> |
| TL431CLP-Z       | ACTIVE        | TO-92        | LP              | 3    | 2000        | RoHS & Green     | SN                                   | N / A for Pkg Type   |              | TL431C                      | <a href="#">Samples</a> |
| TL431CLPM        | ACTIVE        | TO-92        | LP              | 3    | 2000        | RoHS & Green     | SN                                   | N / A for Pkg Type   | 0 to 70      | TL431C                      | <a href="#">Samples</a> |
| TL431CLPR        | ACTIVE        | TO-92        | LP              | 3    | 2000        | RoHS & Green     | SN                                   | N / A for Pkg Type   | 0 to 70      | TL431C                      | <a href="#">Samples</a> |
| TL431CPK         | ACTIVE        | SOT-89       | PK              | 3    | 1000        | RoHS & Green     | SN                                   | Level-2-260C-1 YEAR  | 0 to 70      | 43                          | <a href="#">Samples</a> |
| TL431CPKE6       | ACTIVE        | SOT-89       | PK              | 3    | 1000        | RoHS & Non-Green | SNBI                                 | Level-1-260C-UNLIM   | 0 to 70      | 43                          | <a href="#">Samples</a> |
| TL431CPSR        | OBSOLETE      | SO           | PS              | 8    |             | TBD              | Call TI                              | Call TI              | 0 to 70      | T431                        |                         |
| TL431ID          | ACTIVE        | SOIC         | D               | 8    | 75          | RoHS & Green     | NIPDAU                               | Level-1-260C-UNLIM   | -40 to 85    | TL431I                      | <a href="#">Samples</a> |
| TL431IDBVR       | ACTIVE        | SOT-23       | DBV             | 5    | 3000        | RoHS & Green     | NIPDAU   SN                          | Level-1-260C-UNLIM   | -40 to 85    | (T3IG, T3IJ, T3IS)          | <a href="#">Samples</a> |
| TL431IDBVT       | ACTIVE        | SOT-23       | DBV             | 5    | 250         | RoHS & Green     | NIPDAU   SN                          | Level-1-260C-UNLIM   | -40 to 85    | (T3IG, T3IJ, T3IU)          | <a href="#">Samples</a> |
| TL431IDBZR       | ACTIVE        | SOT-23       | DBZ             | 3    | 3000        | RoHS & Green     | NIPDAU   SN<br>  NIPDAUAG            | Level-1-260C-UNLIM   | -40 to 85    | (T3I3, T3IG, T3IS,<br>T3IU) | <a href="#">Samples</a> |
| TL431IDBZRG4     | ACTIVE        | SOT-23       | DBZ             | 3    | 3000        | RoHS & Green     | NIPDAU   NIPDAUAG                    | Level-1-260C-UNLIM   | -40 to 85    | T3IS                        | <a href="#">Samples</a> |
| TL431IDBZT       | ACTIVE        | SOT-23       | DBZ             | 3    | 250         | RoHS & Green     | NIPDAU   SN<br>  NIPDAUAG            | Level-1-260C-UNLIM   | -40 to 85    | (T3IG, T3IS, T3IU)          | <a href="#">Samples</a> |
| TL431IDBZTG4     | ACTIVE        | SOT-23       | DBZ             | 3    | 250         | RoHS & Green     | NIPDAU   NIPDAUAG                    | Level-1-260C-UNLIM   | -40 to 85    | T3IS                        | <a href="#">Samples</a> |
| TL431IDR         | ACTIVE        | SOIC         | D               | 8    | 2500        | RoHS & Green     | NIPDAU   SN                          | Level-1-260C-UNLIM   | -40 to 85    | TL431I                      | <a href="#">Samples</a> |
| TL431IDRG4       | OBSOLETE      | SOIC         | D               | 8    |             | TBD              | Call TI                              | Call TI              | -40 to 85    | TL431I                      |                         |
| TL431ILP         | ACTIVE        | TO-92        | LP              | 3    | 1000        | RoHS & Green     | SN                                   | N / A for Pkg Type   | -40 to 85    | TL431I                      | <a href="#">Samples</a> |
| TL431ILPR        | ACTIVE        | TO-92        | LP              | 3    | 2000        | RoHS & Green     | SN                                   | N / A for Pkg Type   | -40 to 85    | TL431I                      | <a href="#">Samples</a> |
| TL431IP          | OBSOLETE      | PDIP         | P               | 8    |             | TBD              | Call TI                              | Call TI              | -40 to 85    | TL431IP                     |                         |

| Orderable Device | Status<br>(1) | Package Type | Package Drawing | Pins | Package Qty | Eco Plan<br>(2)  | Lead finish/<br>Ball material<br>(6) | MSL Peak Temp<br>(3) | Op Temp (°C) | Device Marking<br>(4/5)     | Samples                 |
|------------------|---------------|--------------|-----------------|------|-------------|------------------|--------------------------------------|----------------------|--------------|-----------------------------|-------------------------|
| TL431IPK         | ACTIVE        | SOT-89       | PK              | 3    | 1000        | RoHS & Green     | SN                                   | Level-2-260C-1 YEAR  | -40 to 85    | 3I                          | <a href="#">Samples</a> |
| TL431IPK3        | ACTIVE        | SOT-89       | PK              | 3    | 1000        | RoHS & Non-Green | SNBI                                 | Level-1-260C-UNLIM   | -40 to 85    | 3I                          | <a href="#">Samples</a> |
| TL431QD          | ACTIVE        | SOIC         | D               | 8    | 75          | RoHS & Green     | NIPDAU                               | Level-1-260C-UNLIM   | -40 to 125   | T431Q                       | <a href="#">Samples</a> |
| TL431QDBVR       | ACTIVE        | SOT-23       | DBV             | 5    | 3000        | RoHS & Green     | NIPDAU   SN                          | Level-1-260C-UNLIM   | -40 to 125   | (T3QG, T3QJ, T3QU)          | <a href="#">Samples</a> |
| TL431QDBVT       | ACTIVE        | SOT-23       | DBV             | 5    | 250         | RoHS & Green     | NIPDAU   SN                          | Level-1-260C-UNLIM   | -40 to 125   | (T3QG, T3QJ, T3QU)          | <a href="#">Samples</a> |
| TL431QDBZR       | ACTIVE        | SOT-23       | DBZ             | 3    | 3000        | RoHS & Green     | NIPDAU   SN<br>  NIPDAUAG            | Level-1-260C-UNLIM   | -40 to 125   | (T3Q3, T3QG, T3QS,<br>T3QU) | <a href="#">Samples</a> |
| TL431QDBZRG4     | ACTIVE        | SOT-23       | DBZ             | 3    | 3000        | RoHS & Green     | NIPDAU   NIPDAUAG                    | Level-1-260C-UNLIM   | -40 to 125   | T3QS                        | <a href="#">Samples</a> |
| TL431QDBZT       | ACTIVE        | SOT-23       | DBZ             | 3    | 250         | RoHS & Green     | NIPDAU   SN<br>  NIPDAUAG            | Level-1-260C-UNLIM   | -40 to 125   | (T3QG, T3QS, T3QU)          | <a href="#">Samples</a> |
| TL431QDBZTG4     | ACTIVE        | SOT-23       | DBZ             | 3    | 250         | RoHS & Green     | NIPDAU   NIPDAUAG                    | Level-1-260C-UNLIM   | -40 to 125   | T3QS                        | <a href="#">Samples</a> |
| TL431QDCKR       | ACTIVE        | SC70         | DCK             | 6    | 3000        | RoHS & Green     | NIPDAU                               | Level-1-260C-UNLIM   | -40 to 125   | T6U                         | <a href="#">Samples</a> |
| TL431QDCKT       | ACTIVE        | SC70         | DCK             | 6    | 250         | RoHS & Green     | NIPDAU                               | Level-1-260C-UNLIM   | -40 to 125   | T6U                         | <a href="#">Samples</a> |
| TL431QDR         | ACTIVE        | SOIC         | D               | 8    | 2500        | RoHS & Green     | NIPDAU                               | Level-1-260C-UNLIM   | -40 to 125   | T431Q                       | <a href="#">Samples</a> |
| TL431QPK         | ACTIVE        | SOT-89       | PK              | 3    | 1000        | RoHS & Green     | SN                                   | Level-2-260C-1 YEAR  | -40 to 125   | 3Q                          | <a href="#">Samples</a> |
| TL432ACDBVR      | ACTIVE        | SOT-23       | DBV             | 5    | 3000        | RoHS & Green     | NIPDAU   SN                          | Level-1-260C-UNLIM   | 0 to 70      | (T4BG, T4BJ, T4BU)          | <a href="#">Samples</a> |
| TL432ACDBZR      | ACTIVE        | SOT-23       | DBZ             | 3    | 3000        | RoHS & Green     | NIPDAU   SN<br>  NIPDAUAG            | Level-1-260C-UNLIM   | 0 to 70      | (T4B3, T4BG, T4BS,<br>T4BU) | <a href="#">Samples</a> |
| TL432ACDBZRG4    | ACTIVE        | SOT-23       | DBZ             | 3    | 3000        | RoHS & Green     | NIPDAU   NIPDAUAG                    | Level-1-260C-UNLIM   | 0 to 70      | T4BS                        | <a href="#">Samples</a> |
| TL432ACDBZT      | ACTIVE        | SOT-23       | DBZ             | 3    | 250         | RoHS & Green     | NIPDAU   SN<br>  NIPDAUAG            | Level-1-260C-UNLIM   | 0 to 70      | (T4BG, T4BS, T4BU)          | <a href="#">Samples</a> |
| TL432ACDBZTG4    | ACTIVE        | SOT-23       | DBZ             | 3    | 250         | RoHS & Green     | NIPDAU   NIPDAUAG                    | Level-1-260C-UNLIM   | 0 to 70      | T4BS                        | <a href="#">Samples</a> |
| TL432AIDBVR      | ACTIVE        | SOT-23       | DBV             | 5    | 3000        | RoHS & Green     | NIPDAU   SN                          | Level-1-260C-UNLIM   | -40 to 85    | (T4AG, T4AJ, T4AU)          | <a href="#">Samples</a> |



| Orderable Device | Status<br>(1) | Package Type | Package Drawing | Pins | Package Qty | Eco Plan<br>(2) | Lead finish/<br>Ball material<br>(6) | MSL Peak Temp<br>(3) | Op Temp (°C) | Device Marking<br>(4/5)  | Samples                 |
|------------------|---------------|--------------|-----------------|------|-------------|-----------------|--------------------------------------|----------------------|--------------|--------------------------|-------------------------|
| TL432AIDBZR      | ACTIVE        | SOT-23       | DBZ             | 3    | 3000        | RoHS & Green    | NIPDAU   SN                          | Level-1-260C-UNLIM   | -40 to 85    | (T4A3, T4AG, T4AS, T4AU) | <a href="#">Samples</a> |
| TL432AIDBZRG4    | ACTIVE        | SOT-23       | DBZ             | 3    | 3000        | RoHS & Green    | NIPDAU                               | Level-1-260C-UNLIM   | -40 to 85    | T4A3                     | <a href="#">Samples</a> |
| TL432AIDBZT      | ACTIVE        | SOT-23       | DBZ             | 3    | 250         | RoHS & Green    | NIPDAU   SN                          | Level-1-260C-UNLIM   | -40 to 85    | (T4A3, T4AG, T4AS, T4AU) | <a href="#">Samples</a> |
| TL432AIDBZTG4    | ACTIVE        | SOT-23       | DBZ             | 3    | 250         | RoHS & Green    | NIPDAU                               | Level-1-260C-UNLIM   | -40 to 85    | T4A3                     | <a href="#">Samples</a> |
| TL432AIPK        | ACTIVE        | SOT-89       | PK              | 3    | 1000        | RoHS & Green    | SN                                   | Level-2-260C-1 YEAR  | -40 to 85    | 2E                       | <a href="#">Samples</a> |
| TL432AQDBVR      | ACTIVE        | SOT-23       | DBV             | 5    | 3000        | RoHS & Green    | NIPDAU   SN                          | Level-1-260C-UNLIM   | -40 to 125   | (T4DJ, T4DU)             | <a href="#">Samples</a> |
| TL432AQDBVT      | ACTIVE        | SOT-23       | DBV             | 5    | 250         | RoHS & Green    | NIPDAU   SN                          | Level-1-260C-UNLIM   | -40 to 125   | (T4DJ, T4DU)             | <a href="#">Samples</a> |
| TL432AQDBZR      | ACTIVE        | SOT-23       | DBZ             | 3    | 3000        | RoHS & Green    | NIPDAU   SN<br>  NIPDAUAG            | Level-1-260C-UNLIM   | -40 to 125   | (T4D3, T4DG, T4DS, T4DU) | <a href="#">Samples</a> |
| TL432AQDBZRG4    | ACTIVE        | SOT-23       | DBZ             | 3    | 3000        | RoHS & Green    | NIPDAU   NIPDAUAG                    | Level-1-260C-UNLIM   | -40 to 125   | T4DS                     | <a href="#">Samples</a> |
| TL432AQDBZT      | ACTIVE        | SOT-23       | DBZ             | 3    | 250         | RoHS & Green    | NIPDAU   SN<br>  NIPDAUAG            | Level-1-260C-UNLIM   | -40 to 125   | (T4DG, T4DS, T4DU)       | <a href="#">Samples</a> |
| TL432AQDBZTG4    | ACTIVE        | SOT-23       | DBZ             | 3    | 250         | RoHS & Green    | NIPDAU   NIPDAUAG                    | Level-1-260C-UNLIM   | -40 to 125   | T4DS                     | <a href="#">Samples</a> |
| TL432AQPK        | ACTIVE        | SOT-89       | PK              | 3    | 1000        | RoHS & Green    | SN                                   | Level-2-260C-1 YEAR  | -40 to 125   | 2F                       | <a href="#">Samples</a> |
| TL432BCDBVR      | ACTIVE        | SOT-23       | DBV             | 5    | 3000        | RoHS & Green    | NIPDAU   SN                          | Level-1-260C-UNLIM   | 0 to 70      | (TBCJ, TBCU)             | <a href="#">Samples</a> |
| TL432BCDBZR      | ACTIVE        | SOT-23       | DBZ             | 3    | 3000        | RoHS & Green    | NIPDAU   SN<br>  NIPDAUAG            | Level-1-260C-UNLIM   | 0 to 70      | (TBCG, TBCS, TBCU)       | <a href="#">Samples</a> |
| TL432BCDBZRG4    | ACTIVE        | SOT-23       | DBZ             | 3    | 3000        | RoHS & Green    | NIPDAU   NIPDAUAG                    | Level-1-260C-UNLIM   | 0 to 70      | TBCS                     | <a href="#">Samples</a> |
| TL432BCDBZT      | ACTIVE        | SOT-23       | DBZ             | 3    | 250         | RoHS & Green    | NIPDAU   SN                          | Level-1-260C-UNLIM   | 0 to 70      | (TBCG, TBCS, TBCU)       | <a href="#">Samples</a> |
| TL432BCDBZTG4    | ACTIVE        | SOT-23       | DBZ             | 3    | 250         | RoHS & Green    | NIPDAU   NIPDAUAG                    | Level-1-260C-UNLIM   | 0 to 70      | TBCS                     | <a href="#">Samples</a> |
| TL432BCPK        | ACTIVE        | SOT-89       | PK              | 3    | 1000        | RoHS & Green    | SN                                   | Level-2-260C-1 YEAR  | 0 to 70      | 2G                       | <a href="#">Samples</a> |
| TL432BIDBZR      | ACTIVE        | SOT-23       | DBZ             | 3    | 3000        | RoHS & Green    | NIPDAU   SN                          | Level-1-260C-UNLIM   | -40 to 85    | (T4F3, T4FG, T4FS, T4FU) | <a href="#">Samples</a> |
| TL432BIDBZRG4    | ACTIVE        | SOT-23       | DBZ             | 3    | 3000        | RoHS & Green    | NIPDAU                               | Level-1-260C-UNLIM   | -40 to 85    | T4F3                     | <a href="#">Samples</a> |

| Orderable Device | Status<br>(1) | Package Type | Package Drawing | Pins | Package Qty | Eco Plan<br>(2) | Lead finish/<br>Ball material<br>(6) | MSL Peak Temp<br>(3) | Op Temp (°C) | Device Marking<br>(4/5)  | Samples                 |
|------------------|---------------|--------------|-----------------|------|-------------|-----------------|--------------------------------------|----------------------|--------------|--------------------------|-------------------------|
| TL432BIDBZT      | ACTIVE        | SOT-23       | DBZ             | 3    | 250         | RoHS & Green    | NIPDAU   SN                          | Level-1-260C-UNLIM   | -40 to 85    | (T4F3, T4FG, T4FS, T4FU) | <a href="#">Samples</a> |
| TL432BIDBZTG4    | ACTIVE        | SOT-23       | DBZ             | 3    | 250         | RoHS & Green    | NIPDAU                               | Level-1-260C-UNLIM   | -40 to 85    | T4F3                     | <a href="#">Samples</a> |
| TL432BIPK        | ACTIVE        | SOT-89       | PK              | 3    | 1000        | RoHS & Green    | SN                                   | Level-2-260C-1 YEAR  | -40 to 85    | 2H                       | <a href="#">Samples</a> |
| TL432BQDBZR      | ACTIVE        | SOT-23       | DBZ             | 3    | 3000        | RoHS & Green    | NIPDAU   NIPDAUAG                    | Level-1-260C-UNLIM   | -40 to 125   | (T4H3, T4HS, T4HU)       | <a href="#">Samples</a> |
| TL432BQPK        | ACTIVE        | SOT-89       | PK              | 3    | 1000        | RoHS & Green    | SN                                   | Level-2-260C-1 YEAR  | -40 to 125   | 2J                       | <a href="#">Samples</a> |
| TL432CDBVR       | ACTIVE        | SOT-23       | DBV             | 5    | 3000        | RoHS & Green    | NIPDAU   SN                          | Level-1-260C-UNLIM   | 0 to 70      | (T4CG, T4CJ, T4CU)       | <a href="#">Samples</a> |
| TL432CDBZR       | ACTIVE        | SOT-23       | DBZ             | 3    | 3000        | RoHS & Green    | NIPDAU   SN<br>  NIPDAUAG            | Level-1-260C-UNLIM   | 0 to 70      | (T4CG, T4CS, T4CU)       | <a href="#">Samples</a> |
| TL432CDBZRG4     | ACTIVE        | SOT-23       | DBZ             | 3    | 3000        | RoHS & Green    | NIPDAU   NIPDAUAG                    | Level-1-260C-UNLIM   | 0 to 70      | T4CS                     | <a href="#">Samples</a> |
| TL432CPK         | ACTIVE        | SOT-89       | PK              | 3    | 1000        | RoHS & Green    | SN                                   | Level-2-260C-1 YEAR  | 0 to 70      | 2A                       | <a href="#">Samples</a> |
| TL432IDBVR       | ACTIVE        | SOT-23       | DBV             | 5    | 3000        | RoHS & Green    | NIPDAU   SN                          | Level-1-260C-UNLIM   | -40 to 85    | (T4IG, T4IJ, T4IU)       | <a href="#">Samples</a> |
| TL432IDBZR       | ACTIVE        | SOT-23       | DBZ             | 3    | 3000        | RoHS & Green    | NIPDAU   SN<br>  NIPDAUAG            | Level-1-260C-UNLIM   | -40 to 85    | (T4IG, T4IS, T4IU)       | <a href="#">Samples</a> |
| TL432IDBZRG4     | ACTIVE        | SOT-23       | DBZ             | 3    | 3000        | RoHS & Green    | NIPDAU   NIPDAUAG                    | Level-1-260C-UNLIM   | -40 to 85    | T4IS                     | <a href="#">Samples</a> |
| TL432IDBZT       | ACTIVE        | SOT-23       | DBZ             | 3    | 250         | RoHS & Green    | NIPDAU   SN<br>  NIPDAUAG            | Level-1-260C-UNLIM   | -40 to 85    | (T4IG, T4IS, T4IU)       | <a href="#">Samples</a> |
| TL432IDBZTG4     | ACTIVE        | SOT-23       | DBZ             | 3    | 250         | RoHS & Green    | NIPDAU   NIPDAUAG                    | Level-1-260C-UNLIM   | -40 to 85    | T4IS                     | <a href="#">Samples</a> |
| TL432IPK         | ACTIVE        | SOT-89       | PK              | 3    | 1000        | RoHS & Green    | SN                                   | Level-2-260C-1 YEAR  | -40 to 85    | 2B                       | <a href="#">Samples</a> |
| TL432QDBZR       | ACTIVE        | SOT-23       | DBZ             | 3    | 3000        | RoHS & Green    | NIPDAU   SN<br>  NIPDAUAG            | Level-1-260C-UNLIM   | -40 to 125   | (T4QG, T4QS, T4QU)       | <a href="#">Samples</a> |
| TL432QDBZRG4     | ACTIVE        | SOT-23       | DBZ             | 3    | 3000        | RoHS & Green    | NIPDAU   NIPDAUAG                    | Level-1-260C-UNLIM   | -40 to 125   | T4QS                     | <a href="#">Samples</a> |
| TL432QPK         | ACTIVE        | SOT-89       | PK              | 3    | 1000        | RoHS & Green    | SN                                   | Level-2-260C-1 YEAR  | -40 to 125   | 2C                       | <a href="#">Samples</a> |

(1) The marketing status values are defined as follows:  
**ACTIVE:** Product device recommended for new designs.

**LIFEBUY:** TI has announced that the device will be discontinued, and a lifetime-buy period is in effect.

**NRND:** Not recommended for new designs. Device is in production to support existing customers, but TI does not recommend using this part in a new design.

**PREVIEW:** Device has been announced but is not in production. Samples may or may not be available.

**OBSELETE:** TI has discontinued the production of the device.

<sup>(2)</sup> **RoHS:** TI defines "RoHS" to mean semiconductor products that are compliant with the current EU RoHS requirements for all 10 RoHS substances, including the requirement that RoHS substance do not exceed 0.1% by weight in homogeneous materials. Where designed to be soldered at high temperatures, "RoHS" products are suitable for use in specified lead-free processes. TI may reference these types of products as "Pb-Free".

**RoHS Exempt:** TI defines "RoHS Exempt" to mean products that contain lead but are compliant with EU RoHS pursuant to a specific EU RoHS exemption.

**Green:** TI defines "Green" to mean the content of Chlorine (Cl) and Bromine (Br) based flame retardants meet JS709B low halogen requirements of <=1000ppm threshold. Antimony trioxide based flame retardants must also meet the <=1000ppm threshold requirement.

<sup>(3)</sup> MSL, Peak Temp. - The Moisture Sensitivity Level rating according to the JEDEC industry standard classifications, and peak solder temperature.

<sup>(4)</sup> There may be additional marking, which relates to the logo, the lot trace code information, or the environmental category on the device.

<sup>(5)</sup> Multiple Device Markings will be inside parentheses. Only one Device Marking contained in parentheses and separated by a "~" will appear on a device. If a line is indented then it is a continuation of the previous line and the two combined represent the entire Device Marking for that device.

<sup>(6)</sup> Lead finish/Ball material - Orderable Devices may have multiple material finish options. Finish options are separated by a vertical ruled line. Lead finish/Ball material values may wrap to two lines if the finish value exceeds the maximum column width.

**Important Information and Disclaimer:**The information provided on this page represents TI's knowledge and belief as of the date that it is provided. TI bases its knowledge and belief on information provided by third parties, and makes no representation or warranty as to the accuracy of such information. Efforts are underway to better integrate information from third parties. TI has taken and continues to take reasonable steps to provide representative and accurate information but may not have conducted destructive testing or chemical analysis on incoming materials and chemicals. TI and TI suppliers consider certain information to be proprietary, and thus CAS numbers and other limited information may not be available for release.

In no event shall TI's liability arising out of such information exceed the total purchase price of the TI part(s) at issue in this document sold by TI to Customer on an annual basis.

#### OTHER QUALIFIED VERSIONS OF TL431, TL432 :

- Automotive : [TL431-Q1](#), [TL432-Q1](#)

NOTE: Qualified Version Definitions:

- Automotive - Q100 devices qualified for high-reliability automotive applications targeting zero defects

**TAPE AND REEL INFORMATION**

**QUADRANT ASSIGNMENTS FOR PIN 1 ORIENTATION IN TAPE**


\*All dimensions are nominal

| Device        | Package Type | Package Drawing | Pins | SPQ  | Reel Diameter (mm) | Reel Width W1 (mm) | A0 (mm) | B0 (mm) | K0 (mm) | P1 (mm) | W (mm) | Pin1 Quadrant |
|---------------|--------------|-----------------|------|------|--------------------|--------------------|---------|---------|---------|---------|--------|---------------|
| TL431ACDBVR   | SOT-23       | DBV             | 5    | 3000 | 178.0              | 9.0                | 3.3     | 3.2     | 1.4     | 4.0     | 8.0    | Q3            |
| TL431ACDBVT   | SOT-23       | DBV             | 5    | 250  | 178.0              | 9.0                | 3.3     | 3.2     | 1.4     | 4.0     | 8.0    | Q3            |
| TL431ACDBZR   | SOT-23       | DBZ             | 3    | 3000 | 180.0              | 8.4                | 3.2     | 2.85    | 1.3     | 4.0     | 8.0    | Q3            |
| TL431ACDBZR   | SOT-23       | DBZ             | 3    | 3000 | 180.0              | 8.4                | 2.9     | 3.35    | 1.35    | 4.0     | 8.0    | Q3            |
| TL431ACDBZRG4 | SOT-23       | DBZ             | 3    | 3000 | 180.0              | 8.4                | 2.9     | 3.35    | 1.35    | 4.0     | 8.0    | Q3            |
| TL431ACDBZT   | SOT-23       | DBZ             | 3    | 250  | 180.0              | 8.4                | 3.2     | 2.85    | 1.3     | 4.0     | 8.0    | Q3            |
| TL431ACDBZT   | SOT-23       | DBZ             | 3    | 250  | 178.0              | 9.0                | 3.15    | 2.77    | 1.22    | 4.0     | 8.0    | Q3            |
| TL431ACDBZT   | SOT-23       | DBZ             | 3    | 250  | 180.0              | 8.4                | 2.9     | 3.35    | 1.35    | 4.0     | 8.0    | Q3            |
| TL431ACDBZTG4 | SOT-23       | DBZ             | 3    | 250  | 180.0              | 8.4                | 2.9     | 3.35    | 1.35    | 4.0     | 8.0    | Q3            |
| TL431ACDCKR   | SC70         | DCK             | 6    | 3000 | 180.0              | 8.4                | 2.41    | 2.41    | 1.2     | 4.0     | 8.0    | Q3            |
| TL431ACPK     | SOT-89       | PK              | 3    | 1000 | 180.0              | 12.4               | 4.91    | 4.52    | 1.9     | 8.0     | 12.0   | Q3            |
| TL431ACPK     | SOT-89       | PK              | 3    | 1000 | 180.0              | 12.4               | 4.91    | 4.52    | 1.9     | 8.0     | 12.0   | Q3            |
| TL431ACPSR    | SO           | PS              | 8    | 2000 | 330.0              | 16.4               | 8.35    | 6.6     | 2.4     | 12.0    | 16.0   | Q1            |
| TL431ACPWR    | TSSOP        | PW              | 8    | 2000 | 330.0              | 12.4               | 7.0     | 3.6     | 1.6     | 8.0     | 12.0   | Q1            |
| TL431AIDBVR   | SOT-23       | DBV             | 5    | 3000 | 180.0              | 8.4                | 3.23    | 3.17    | 1.37    | 4.0     | 8.0    | Q3            |
| TL431AIDBVR   | SOT-23       | DBV             | 5    | 3000 | 178.0              | 9.0                | 3.3     | 3.2     | 1.4     | 4.0     | 8.0    | Q3            |

| Device        | Package Type | Package Drawing | Pins | SPQ  | Reel Diameter (mm) | Reel Width W1 (mm) | A0 (mm) | B0 (mm) | K0 (mm) | P1 (mm) | W (mm) | Pin1 Quadrant |
|---------------|--------------|-----------------|------|------|--------------------|--------------------|---------|---------|---------|---------|--------|---------------|
| TL431AIDBVT   | SOT-23       | DBV             | 5    | 250  | 178.0              | 9.0                | 3.3     | 3.2     | 1.4     | 4.0     | 8.0    | Q3            |
| TL431AIDBZR   | SOT-23       | DBZ             | 3    | 3000 | 180.0              | 8.4                | 2.9     | 3.35    | 1.35    | 4.0     | 8.0    | Q3            |
| TL431AIDBZR   | SOT-23       | DBZ             | 3    | 3000 | 180.0              | 8.4                | 3.2     | 2.85    | 1.3     | 4.0     | 8.0    | Q3            |
| TL431AIDBZRG4 | SOT-23       | DBZ             | 3    | 3000 | 180.0              | 8.4                | 2.9     | 3.35    | 1.35    | 4.0     | 8.0    | Q3            |
| TL431AIDBZT   | SOT-23       | DBZ             | 3    | 250  | 180.0              | 8.4                | 2.9     | 3.35    | 1.35    | 4.0     | 8.0    | Q3            |
| TL431AIDBZT   | SOT-23       | DBZ             | 3    | 250  | 178.0              | 9.0                | 3.15    | 2.77    | 1.22    | 4.0     | 8.0    | Q3            |
| TL431AIDBZT   | SOT-23       | DBZ             | 3    | 250  | 180.0              | 8.4                | 3.2     | 2.85    | 1.3     | 4.0     | 8.0    | Q3            |
| TL431AIDBZTG4 | SOT-23       | DBZ             | 3    | 250  | 180.0              | 8.4                | 2.9     | 3.35    | 1.35    | 4.0     | 8.0    | Q3            |
| TL431AIDCKR   | SC70         | DCK             | 6    | 3000 | 179.0              | 8.4                | 2.2     | 2.5     | 1.2     | 4.0     | 8.0    | Q3            |
| TL431AIDCKRG4 | SC70         | DCK             | 6    | 3000 | 179.0              | 8.4                | 2.2     | 2.5     | 1.2     | 4.0     | 8.0    | Q3            |
| TL431AIDCKT   | SC70         | DCK             | 6    | 250  | 179.0              | 8.4                | 2.2     | 2.5     | 1.2     | 4.0     | 8.0    | Q3            |
| TL431AIDR     | SOIC         | D               | 8    | 2500 | 330.0              | 12.4               | 6.4     | 5.2     | 2.1     | 8.0     | 12.0   | Q1            |
| TL431AIPK     | SOT-89       | PK              | 3    | 1000 | 180.0              | 12.4               | 4.91    | 4.52    | 1.9     | 8.0     | 12.0   | Q3            |
| TL431AIPK     | SOT-89       | PK              | 3    | 1000 | 180.0              | 12.4               | 4.91    | 4.52    | 1.9     | 8.0     | 12.0   | Q3            |
| TL431AQDBVR   | SOT-23       | DBV             | 5    | 3000 | 178.0              | 9.0                | 3.3     | 3.2     | 1.4     | 4.0     | 8.0    | Q3            |
| TL431AQDBVT   | SOT-23       | DBV             | 5    | 250  | 178.0              | 9.0                | 3.3     | 3.2     | 1.4     | 4.0     | 8.0    | Q3            |
| TL431AQDBZR   | SOT-23       | DBZ             | 3    | 3000 | 180.0              | 8.4                | 3.2     | 2.85    | 1.3     | 4.0     | 8.0    | Q3            |
| TL431AQDBZR   | SOT-23       | DBZ             | 3    | 3000 | 180.0              | 8.4                | 2.9     | 3.35    | 1.35    | 4.0     | 8.0    | Q3            |
| TL431AQDBZRG4 | SOT-23       | DBZ             | 3    | 3000 | 180.0              | 8.4                | 2.9     | 3.35    | 1.35    | 4.0     | 8.0    | Q3            |
| TL431AQDBZT   | SOT-23       | DBZ             | 3    | 250  | 180.0              | 8.4                | 2.9     | 3.35    | 1.35    | 4.0     | 8.0    | Q3            |
| TL431AQDBZT   | SOT-23       | DBZ             | 3    | 250  | 180.0              | 8.4                | 3.2     | 2.85    | 1.3     | 4.0     | 8.0    | Q3            |
| TL431AQDBZTG4 | SOT-23       | DBZ             | 3    | 250  | 180.0              | 8.4                | 2.9     | 3.35    | 1.35    | 4.0     | 8.0    | Q3            |
| TL431AQDCKR   | SC70         | DCK             | 6    | 3000 | 179.0              | 8.4                | 2.2     | 2.5     | 1.2     | 4.0     | 8.0    | Q3            |
| TL431AQDCKT   | SC70         | DCK             | 6    | 250  | 179.0              | 8.4                | 2.2     | 2.5     | 1.2     | 4.0     | 8.0    | Q3            |
| TL431AQPCK    | SOT-89       | PK              | 3    | 1000 | 180.0              | 12.4               | 4.91    | 4.52    | 1.9     | 8.0     | 12.0   | Q3            |
| TL431AQPCK    | SOT-89       | PK              | 3    | 1000 | 180.0              | 12.4               | 4.91    | 4.52    | 1.9     | 8.0     | 12.0   | Q3            |
| TL431BCDBVR   | SOT-23       | DBV             | 5    | 3000 | 178.0              | 9.0                | 3.3     | 3.2     | 1.4     | 4.0     | 8.0    | Q3            |
| TL431BCDBVT   | SOT-23       | DBV             | 5    | 250  | 178.0              | 9.0                | 3.3     | 3.2     | 1.4     | 4.0     | 8.0    | Q3            |
| TL431BCDBVT   | SOT-23       | DBV             | 5    | 250  | 179.0              | 8.4                | 3.2     | 3.2     | 1.4     | 4.0     | 8.0    | Q3            |
| TL431BCDBZR   | SOT-23       | DBZ             | 3    | 3000 | 180.0              | 8.4                | 3.2     | 2.85    | 1.3     | 4.0     | 8.0    | Q3            |
| TL431BCDBZR   | SOT-23       | DBZ             | 3    | 3000 | 180.0              | 8.4                | 2.9     | 3.35    | 1.35    | 4.0     | 8.0    | Q3            |
| TL431BCDBZRG4 | SOT-23       | DBZ             | 3    | 3000 | 180.0              | 8.4                | 2.9     | 3.35    | 1.35    | 4.0     | 8.0    | Q3            |
| TL431BCDBZT   | SOT-23       | DBZ             | 3    | 250  | 180.0              | 8.4                | 3.2     | 2.85    | 1.3     | 4.0     | 8.0    | Q3            |
| TL431BCDBZT   | SOT-23       | DBZ             | 3    | 250  | 180.0              | 8.4                | 2.9     | 3.35    | 1.35    | 4.0     | 8.0    | Q3            |
| TL431BCDBZT   | SOT-23       | DBZ             | 3    | 250  | 178.0              | 9.0                | 3.15    | 2.77    | 1.22    | 4.0     | 8.0    | Q3            |
| TL431BCDBZTG4 | SOT-23       | DBZ             | 3    | 250  | 180.0              | 8.4                | 2.9     | 3.35    | 1.35    | 4.0     | 8.0    | Q3            |
| TL431BCDCKR   | SC70         | DCK             | 6    | 3000 | 179.0              | 8.4                | 2.2     | 2.5     | 1.2     | 4.0     | 8.0    | Q3            |
| TL431BCDCKT   | SC70         | DCK             | 6    | 250  | 179.0              | 8.4                | 2.2     | 2.5     | 1.2     | 4.0     | 8.0    | Q3            |
| TL431BCDR     | SOIC         | D               | 8    | 2500 | 330.0              | 12.4               | 6.4     | 5.2     | 2.1     | 8.0     | 12.0   | Q1            |
| TL431BCPK     | SOT-89       | PK              | 3    | 1000 | 180.0              | 12.4               | 4.91    | 4.52    | 1.9     | 8.0     | 12.0   | Q3            |
| TL431BCPK     | SOT-89       | PK              | 3    | 1000 | 180.0              | 12.4               | 4.91    | 4.52    | 1.9     | 8.0     | 12.0   | Q3            |

| Device        | Package Type | Package Drawing | Pins | SPQ  | Reel Diameter (mm) | Reel Width W1 (mm) | A0 (mm) | B0 (mm) | K0 (mm) | P1 (mm) | W (mm) | Pin1 Quadrant |
|---------------|--------------|-----------------|------|------|--------------------|--------------------|---------|---------|---------|---------|--------|---------------|
| TL431BIDBVR   | SOT-23       | DBV             | 5    | 3000 | 178.0              | 9.0                | 3.3     | 3.2     | 1.4     | 4.0     | 8.0    | Q3            |
| TL431BIDBVT   | SOT-23       | DBV             | 5    | 250  | 178.0              | 9.0                | 3.3     | 3.2     | 1.4     | 4.0     | 8.0    | Q3            |
| TL431BIDBZR   | SOT-23       | DBZ             | 3    | 3000 | 180.0              | 8.4                | 3.2     | 2.85    | 1.3     | 4.0     | 8.0    | Q3            |
| TL431BIDBZR   | SOT-23       | DBZ             | 3    | 3000 | 180.0              | 8.4                | 2.9     | 3.35    | 1.35    | 4.0     | 8.0    | Q3            |
| TL431BIDBZRG4 | SOT-23       | DBZ             | 3    | 3000 | 180.0              | 8.4                | 2.9     | 3.35    | 1.35    | 4.0     | 8.0    | Q3            |
| TL431BIDBZT   | SOT-23       | DBZ             | 3    | 250  | 180.0              | 8.4                | 2.9     | 3.35    | 1.35    | 4.0     | 8.0    | Q3            |
| TL431BIDBZT   | SOT-23       | DBZ             | 3    | 250  | 180.0              | 8.4                | 3.2     | 2.85    | 1.3     | 4.0     | 8.0    | Q3            |
| TL431BIDBZT   | SOT-23       | DBZ             | 3    | 250  | 178.0              | 9.0                | 3.15    | 2.77    | 1.22    | 4.0     | 8.0    | Q3            |
| TL431BIDBZTG4 | SOT-23       | DBZ             | 3    | 250  | 180.0              | 8.4                | 2.9     | 3.35    | 1.35    | 4.0     | 8.0    | Q3            |
| TL431BIDCKR   | SC70         | DCK             | 6    | 3000 | 179.0              | 8.4                | 2.2     | 2.5     | 1.2     | 4.0     | 8.0    | Q3            |
| TL431BIDCKT   | SC70         | DCK             | 6    | 250  | 179.0              | 8.4                | 2.2     | 2.5     | 1.2     | 4.0     | 8.0    | Q3            |
| TL431BIDR     | SOIC         | D               | 8    | 2500 | 330.0              | 12.4               | 6.4     | 5.2     | 2.1     | 8.0     | 12.0   | Q1            |
| TL431BIPK     | SOT-89       | PK              | 3    | 1000 | 180.0              | 12.4               | 4.91    | 4.52    | 1.9     | 8.0     | 12.0   | Q3            |
| TL431BIPK     | SOT-89       | PK              | 3    | 1000 | 180.0              | 12.4               | 4.91    | 4.52    | 1.9     | 8.0     | 12.0   | Q3            |
| TL431BQDBVR   | SOT-23       | DBV             | 5    | 3000 | 178.0              | 9.0                | 3.3     | 3.2     | 1.4     | 4.0     | 8.0    | Q3            |
| TL431BQDBVT   | SOT-23       | DBV             | 5    | 250  | 180.0              | 8.4                | 3.2     | 3.2     | 1.4     | 4.0     | 8.0    | Q3            |
| TL431BQDBVT   | SOT-23       | DBV             | 5    | 250  | 178.0              | 9.0                | 3.3     | 3.2     | 1.4     | 4.0     | 8.0    | Q3            |
| TL431BQDBZR   | SOT-23       | DBZ             | 3    | 3000 | 180.0              | 8.4                | 3.2     | 2.85    | 1.3     | 4.0     | 8.0    | Q3            |
| TL431BQDBZR   | SOT-23       | DBZ             | 3    | 3000 | 180.0              | 8.4                | 2.9     | 3.35    | 1.35    | 4.0     | 8.0    | Q3            |
| TL431BQDBZRG4 | SOT-23       | DBZ             | 3    | 3000 | 180.0              | 8.4                | 2.9     | 3.35    | 1.35    | 4.0     | 8.0    | Q3            |
| TL431BQDBZT   | SOT-23       | DBZ             | 3    | 250  | 178.0              | 9.0                | 3.15    | 2.77    | 1.22    | 4.0     | 8.0    | Q3            |
| TL431BQDBZT   | SOT-23       | DBZ             | 3    | 250  | 180.0              | 8.4                | 3.2     | 2.85    | 1.3     | 4.0     | 8.0    | Q3            |
| TL431BQDBZT   | SOT-23       | DBZ             | 3    | 250  | 180.0              | 8.4                | 2.9     | 3.35    | 1.35    | 4.0     | 8.0    | Q3            |
| TL431BQDBZTG4 | SOT-23       | DBZ             | 3    | 250  | 180.0              | 8.4                | 2.9     | 3.35    | 1.35    | 4.0     | 8.0    | Q3            |
| TL431BQDCKR   | SC70         | DCK             | 6    | 3000 | 179.0              | 8.4                | 2.2     | 2.5     | 1.2     | 4.0     | 8.0    | Q3            |
| TL431BQDCKT   | SC70         | DCK             | 6    | 250  | 179.0              | 8.4                | 2.2     | 2.5     | 1.2     | 4.0     | 8.0    | Q3            |
| TL431BQDR     | SOIC         | D               | 8    | 2500 | 330.0              | 12.4               | 6.4     | 5.2     | 2.1     | 8.0     | 12.0   | Q1            |
| TL431BQPK     | SOT-89       | PK              | 3    | 1000 | 180.0              | 12.4               | 4.91    | 4.52    | 1.9     | 8.0     | 12.0   | Q3            |
| TL431CDBVR    | SOT-23       | DBV             | 5    | 3000 | 178.0              | 9.0                | 3.3     | 3.2     | 1.4     | 4.0     | 8.0    | Q3            |
| TL431CDBVT    | SOT-23       | DBV             | 5    | 250  | 180.0              | 8.4                | 3.23    | 3.17    | 1.37    | 4.0     | 8.0    | Q3            |
| TL431CDBVT    | SOT-23       | DBV             | 5    | 250  | 178.0              | 9.0                | 3.3     | 3.2     | 1.4     | 4.0     | 8.0    | Q3            |
| TL431CDBZR    | SOT-23       | DBZ             | 3    | 3000 | 180.0              | 8.4                | 3.2     | 2.85    | 1.3     | 4.0     | 8.0    | Q3            |
| TL431CDBZR    | SOT-23       | DBZ             | 3    | 3000 | 180.0              | 8.4                | 2.9     | 3.35    | 1.35    | 4.0     | 8.0    | Q3            |
| TL431CDBZRG4  | SOT-23       | DBZ             | 3    | 3000 | 180.0              | 8.4                | 2.9     | 3.35    | 1.35    | 4.0     | 8.0    | Q3            |
| TL431CDBZT    | SOT-23       | DBZ             | 3    | 250  | 180.0              | 8.4                | 2.9     | 3.35    | 1.35    | 4.0     | 8.0    | Q3            |
| TL431CDBZT    | SOT-23       | DBZ             | 3    | 250  | 180.0              | 8.4                | 3.2     | 2.85    | 1.3     | 4.0     | 8.0    | Q3            |
| TL431CDBZTG4  | SOT-23       | DBZ             | 3    | 250  | 180.0              | 8.4                | 2.9     | 3.35    | 1.35    | 4.0     | 8.0    | Q3            |
| TL431CDR      | SOIC         | D               | 8    | 2500 | 330.0              | 12.4               | 6.4     | 5.2     | 2.1     | 8.0     | 12.0   | Q1            |
| TL431CDR-J    | SOIC         | D               | 8    | 2500 | 330.0              | 12.4               | 6.4     | 5.2     | 2.1     | 8.0     | 12.0   | Q1            |
| TL431CPK      | SOT-89       | PK              | 3    | 1000 | 180.0              | 12.4               | 4.91    | 4.52    | 1.9     | 8.0     | 12.0   | Q3            |
| TL431CPK      | SOT-89       | PK              | 3    | 1000 | 180.0              | 12.4               | 4.91    | 4.52    | 1.9     | 8.0     | 12.0   | Q3            |

| Device        | Package Type | Package Drawing | Pins | SPQ  | Reel Diameter (mm) | Reel Width W1 (mm) | A0 (mm) | B0 (mm) | K0 (mm) | P1 (mm) | W (mm) | Pin1 Quadrant |
|---------------|--------------|-----------------|------|------|--------------------|--------------------|---------|---------|---------|---------|--------|---------------|
| TL431CPKE6    | SOT-89       | PK              | 3    | 1000 | 180.0              | 13.0               | 4.91    | 4.52    | 1.9     | 8.0     | 12.0   | Q3            |
| TL431IDBVR    | SOT-23       | DBV             | 5    | 3000 | 178.0              | 9.0                | 3.3     | 3.2     | 1.4     | 4.0     | 8.0    | Q3            |
| TL431IDBVT    | SOT-23       | DBV             | 5    | 250  | 178.0              | 9.0                | 3.3     | 3.2     | 1.4     | 4.0     | 8.0    | Q3            |
| TL431IDBZR    | SOT-23       | DBZ             | 3    | 3000 | 180.0              | 8.4                | 3.2     | 2.85    | 1.3     | 4.0     | 8.0    | Q3            |
| TL431IDBZR    | SOT-23       | DBZ             | 3    | 3000 | 180.0              | 8.4                | 2.9     | 3.35    | 1.35    | 4.0     | 8.0    | Q3            |
| TL431IDBZRG4  | SOT-23       | DBZ             | 3    | 3000 | 180.0              | 8.4                | 2.9     | 3.35    | 1.35    | 4.0     | 8.0    | Q3            |
| TL431IDBZT    | SOT-23       | DBZ             | 3    | 250  | 180.0              | 8.4                | 2.9     | 3.35    | 1.35    | 4.0     | 8.0    | Q3            |
| TL431IDBZT    | SOT-23       | DBZ             | 3    | 250  | 180.0              | 8.4                | 3.2     | 2.85    | 1.3     | 4.0     | 8.0    | Q3            |
| TL431IDBZT    | SOT-23       | DBZ             | 3    | 250  | 178.0              | 9.0                | 3.15    | 2.77    | 1.22    | 4.0     | 8.0    | Q3            |
| TL431IDBZTG4  | SOT-23       | DBZ             | 3    | 250  | 180.0              | 8.4                | 2.9     | 3.35    | 1.35    | 4.0     | 8.0    | Q3            |
| TL431IDR      | SOIC         | D               | 8    | 2500 | 330.0              | 12.4               | 6.4     | 5.2     | 2.1     | 8.0     | 12.0   | Q1            |
| TL431IPK      | SOT-89       | PK              | 3    | 1000 | 180.0              | 12.4               | 4.91    | 4.52    | 1.9     | 8.0     | 12.0   | Q3            |
| TL431IPK      | SOT-89       | PK              | 3    | 1000 | 180.0              | 12.4               | 4.91    | 4.52    | 1.9     | 8.0     | 12.0   | Q3            |
| TL431QDBVR    | SOT-23       | DBV             | 5    | 3000 | 178.0              | 9.0                | 3.3     | 3.2     | 1.4     | 4.0     | 8.0    | Q3            |
| TL431QDBVT    | SOT-23       | DBV             | 5    | 250  | 178.0              | 9.0                | 3.3     | 3.2     | 1.4     | 4.0     | 8.0    | Q3            |
| TL431QDBZR    | SOT-23       | DBZ             | 3    | 3000 | 180.0              | 8.4                | 3.2     | 2.85    | 1.3     | 4.0     | 8.0    | Q3            |
| TL431QDBZR    | SOT-23       | DBZ             | 3    | 3000 | 180.0              | 8.4                | 2.9     | 3.35    | 1.35    | 4.0     | 8.0    | Q3            |
| TL431QDBZRG4  | SOT-23       | DBZ             | 3    | 3000 | 180.0              | 8.4                | 2.9     | 3.35    | 1.35    | 4.0     | 8.0    | Q3            |
| TL431QDBZT    | SOT-23       | DBZ             | 3    | 250  | 178.0              | 9.0                | 3.15    | 2.77    | 1.22    | 4.0     | 8.0    | Q3            |
| TL431QDBZT    | SOT-23       | DBZ             | 3    | 250  | 180.0              | 8.4                | 2.9     | 3.35    | 1.35    | 4.0     | 8.0    | Q3            |
| TL431QDBZT    | SOT-23       | DBZ             | 3    | 250  | 180.0              | 8.4                | 3.2     | 2.85    | 1.3     | 4.0     | 8.0    | Q3            |
| TL431QDBZTG4  | SOT-23       | DBZ             | 3    | 250  | 180.0              | 8.4                | 2.9     | 3.35    | 1.35    | 4.0     | 8.0    | Q3            |
| TL431QDCKR    | SC70         | DCK             | 6    | 3000 | 179.0              | 8.4                | 2.2     | 2.5     | 1.2     | 4.0     | 8.0    | Q3            |
| TL431QDCKT    | SC70         | DCK             | 6    | 250  | 179.0              | 8.4                | 2.2     | 2.5     | 1.2     | 4.0     | 8.0    | Q3            |
| TL431QDR      | SOIC         | D               | 8    | 2500 | 330.0              | 12.4               | 6.4     | 5.2     | 2.1     | 8.0     | 12.0   | Q1            |
| TL431QPK      | SOT-89       | PK              | 3    | 1000 | 180.0              | 12.4               | 4.91    | 4.52    | 1.9     | 8.0     | 12.0   | Q3            |
| TL432ACDBVR   | SOT-23       | DBV             | 5    | 3000 | 180.0              | 8.4                | 3.2     | 3.2     | 1.4     | 4.0     | 8.0    | Q3            |
| TL432ACDBZR   | SOT-23       | DBZ             | 3    | 3000 | 180.0              | 8.4                | 2.9     | 3.35    | 1.35    | 4.0     | 8.0    | Q3            |
| TL432ACDBZR   | SOT-23       | DBZ             | 3    | 3000 | 180.0              | 8.4                | 3.2     | 2.85    | 1.3     | 4.0     | 8.0    | Q3            |
| TL432ACDBZRG4 | SOT-23       | DBZ             | 3    | 3000 | 180.0              | 8.4                | 2.9     | 3.35    | 1.35    | 4.0     | 8.0    | Q3            |
| TL432ACDBZT   | SOT-23       | DBZ             | 3    | 250  | 180.0              | 8.4                | 3.2     | 2.85    | 1.3     | 4.0     | 8.0    | Q3            |
| TL432ACDBZT   | SOT-23       | DBZ             | 3    | 250  | 178.0              | 9.0                | 3.15    | 2.77    | 1.22    | 4.0     | 8.0    | Q3            |
| TL432ACDBZT   | SOT-23       | DBZ             | 3    | 250  | 180.0              | 8.4                | 2.9     | 3.35    | 1.35    | 4.0     | 8.0    | Q3            |
| TL432ACDBZTG4 | SOT-23       | DBZ             | 3    | 250  | 180.0              | 8.4                | 2.9     | 3.35    | 1.35    | 4.0     | 8.0    | Q3            |
| TL432AIDBVR   | SOT-23       | DBV             | 5    | 3000 | 178.0              | 9.0                | 3.3     | 3.2     | 1.4     | 4.0     | 8.0    | Q3            |
| TL432AIDBZR   | SOT-23       | DBZ             | 3    | 3000 | 180.0              | 8.4                | 3.2     | 2.85    | 1.3     | 4.0     | 8.0    | Q3            |
| TL432AIDBZR   | SOT-23       | DBZ             | 3    | 3000 | 180.0              | 8.4                | 2.9     | 3.35    | 1.35    | 4.0     | 8.0    | Q3            |
| TL432AIDBZRG4 | SOT-23       | DBZ             | 3    | 3000 | 180.0              | 8.4                | 2.9     | 3.35    | 1.35    | 4.0     | 8.0    | Q3            |
| TL432AIDBZT   | SOT-23       | DBZ             | 3    | 250  | 180.0              | 8.4                | 2.9     | 3.35    | 1.35    | 4.0     | 8.0    | Q3            |
| TL432AIDBZT   | SOT-23       | DBZ             | 3    | 250  | 178.0              | 9.0                | 3.15    | 2.77    | 1.22    | 4.0     | 8.0    | Q3            |
| TL432AIDBZT   | SOT-23       | DBZ             | 3    | 250  | 180.0              | 8.4                | 3.2     | 2.85    | 1.3     | 4.0     | 8.0    | Q3            |

| Device        | Package Type | Package Drawing | Pins | SPQ  | Reel Diameter (mm) | Reel Width W1 (mm) | A0 (mm) | B0 (mm) | K0 (mm) | P1 (mm) | W (mm) | Pin1 Quadrant |
|---------------|--------------|-----------------|------|------|--------------------|--------------------|---------|---------|---------|---------|--------|---------------|
| TL432AIDBZTG4 | SOT-23       | DBZ             | 3    | 250  | 180.0              | 8.4                | 2.9     | 3.35    | 1.35    | 4.0     | 8.0    | Q3            |
| TL432AIPK     | SOT-89       | PK              | 3    | 1000 | 180.0              | 12.4               | 4.91    | 4.52    | 1.9     | 8.0     | 12.0   | Q3            |
| TL432AIPK     | SOT-89       | PK              | 3    | 1000 | 180.0              | 12.4               | 4.91    | 4.52    | 1.9     | 8.0     | 12.0   | Q3            |
| TL432AQDBVR   | SOT-23       | DBV             | 5    | 3000 | 178.0              | 9.0                | 3.3     | 3.2     | 1.4     | 4.0     | 8.0    | Q3            |
| TL432AQDBVR   | SOT-23       | DBV             | 5    | 3000 | 179.0              | 8.4                | 3.2     | 3.2     | 1.4     | 4.0     | 8.0    | Q3            |
| TL432AQDBVT   | SOT-23       | DBV             | 5    | 250  | 180.0              | 8.4                | 3.2     | 3.2     | 1.4     | 4.0     | 8.0    | Q3            |
| TL432AQDBZR   | SOT-23       | DBZ             | 3    | 3000 | 180.0              | 8.4                | 2.9     | 3.35    | 1.35    | 4.0     | 8.0    | Q3            |
| TL432AQDBZR   | SOT-23       | DBZ             | 3    | 3000 | 180.0              | 8.4                | 3.2     | 2.85    | 1.3     | 4.0     | 8.0    | Q3            |
| TL432AQDBZRG4 | SOT-23       | DBZ             | 3    | 3000 | 180.0              | 8.4                | 2.9     | 3.35    | 1.35    | 4.0     | 8.0    | Q3            |
| TL432AQDBZT   | SOT-23       | DBZ             | 3    | 250  | 180.0              | 8.4                | 2.9     | 3.35    | 1.35    | 4.0     | 8.0    | Q3            |
| TL432AQDBZT   | SOT-23       | DBZ             | 3    | 250  | 178.0              | 9.0                | 3.15    | 2.77    | 1.22    | 4.0     | 8.0    | Q3            |
| TL432AQDBZT   | SOT-23       | DBZ             | 3    | 250  | 180.0              | 8.4                | 3.2     | 2.85    | 1.3     | 4.0     | 8.0    | Q3            |
| TL432AQDBZTG4 | SOT-23       | DBZ             | 3    | 250  | 180.0              | 8.4                | 2.9     | 3.35    | 1.35    | 4.0     | 8.0    | Q3            |
| TL432AQPK     | SOT-89       | PK              | 3    | 1000 | 180.0              | 12.4               | 4.91    | 4.52    | 1.9     | 8.0     | 12.0   | Q3            |
| TL432AQPK     | SOT-89       | PK              | 3    | 1000 | 180.0              | 12.4               | 4.91    | 4.52    | 1.9     | 8.0     | 12.0   | Q3            |
| TL432BCDBVR   | SOT-23       | DBV             | 5    | 3000 | 180.0              | 8.4                | 3.2     | 3.2     | 1.4     | 4.0     | 8.0    | Q3            |
| TL432BCDBZR   | SOT-23       | DBZ             | 3    | 3000 | 180.0              | 8.4                | 2.9     | 3.35    | 1.35    | 4.0     | 8.0    | Q3            |
| TL432BCDBZR   | SOT-23       | DBZ             | 3    | 3000 | 180.0              | 8.4                | 3.2     | 2.85    | 1.3     | 4.0     | 8.0    | Q3            |
| TL432BCDBZRG4 | SOT-23       | DBZ             | 3    | 3000 | 180.0              | 8.4                | 2.9     | 3.35    | 1.35    | 4.0     | 8.0    | Q3            |
| TL432BCDBZT   | SOT-23       | DBZ             | 3    | 250  | 180.0              | 8.4                | 2.9     | 3.35    | 1.35    | 4.0     | 8.0    | Q3            |
| TL432BCDBZT   | SOT-23       | DBZ             | 3    | 250  | 180.0              | 8.4                | 3.2     | 2.85    | 1.3     | 4.0     | 8.0    | Q3            |
| TL432BCDBZT   | SOT-23       | DBZ             | 3    | 250  | 178.0              | 9.0                | 3.15    | 2.77    | 1.22    | 4.0     | 8.0    | Q3            |
| TL432BCDBZTG4 | SOT-23       | DBZ             | 3    | 250  | 180.0              | 8.4                | 2.9     | 3.35    | 1.35    | 4.0     | 8.0    | Q3            |
| TL432BCPK     | SOT-89       | PK              | 3    | 1000 | 180.0              | 12.4               | 4.91    | 4.52    | 1.9     | 8.0     | 12.0   | Q3            |
| TL432BCPK     | SOT-89       | PK              | 3    | 1000 | 180.0              | 12.4               | 4.91    | 4.52    | 1.9     | 8.0     | 12.0   | Q3            |
| TL432BIDBZR   | SOT-23       | DBZ             | 3    | 3000 | 180.0              | 8.4                | 3.2     | 2.85    | 1.3     | 4.0     | 8.0    | Q3            |
| TL432BIDBZR   | SOT-23       | DBZ             | 3    | 3000 | 180.0              | 8.4                | 2.9     | 3.35    | 1.35    | 4.0     | 8.0    | Q3            |
| TL432BIDBZRG4 | SOT-23       | DBZ             | 3    | 3000 | 180.0              | 8.4                | 2.9     | 3.35    | 1.35    | 4.0     | 8.0    | Q3            |
| TL432BIDBZT   | SOT-23       | DBZ             | 3    | 250  | 180.0              | 8.4                | 2.9     | 3.35    | 1.35    | 4.0     | 8.0    | Q3            |
| TL432BIDBZT   | SOT-23       | DBZ             | 3    | 250  | 178.0              | 9.0                | 3.15    | 2.77    | 1.22    | 4.0     | 8.0    | Q3            |
| TL432BIDBZT   | SOT-23       | DBZ             | 3    | 250  | 180.0              | 8.4                | 3.2     | 2.85    | 1.3     | 4.0     | 8.0    | Q3            |
| TL432BIDBZTG4 | SOT-23       | DBZ             | 3    | 250  | 180.0              | 8.4                | 2.9     | 3.35    | 1.35    | 4.0     | 8.0    | Q3            |
| TL432BIPK     | SOT-89       | PK              | 3    | 1000 | 180.0              | 12.4               | 4.91    | 4.52    | 1.9     | 8.0     | 12.0   | Q3            |
| TL432BIPK     | SOT-89       | PK              | 3    | 1000 | 180.0              | 12.4               | 4.91    | 4.52    | 1.9     | 8.0     | 12.0   | Q3            |
| TL432BQDBZR   | SOT-23       | DBZ             | 3    | 3000 | 180.0              | 8.4                | 2.9     | 3.35    | 1.35    | 4.0     | 8.0    | Q3            |
| TL432BQPK     | SOT-89       | PK              | 3    | 1000 | 180.0              | 12.4               | 4.91    | 4.52    | 1.9     | 8.0     | 12.0   | Q3            |
| TL432BQPK     | SOT-89       | PK              | 3    | 1000 | 180.0              | 12.4               | 4.91    | 4.52    | 1.9     | 8.0     | 12.0   | Q3            |
| TL432CDBVR    | SOT-23       | DBV             | 5    | 3000 | 180.0              | 8.4                | 3.2     | 3.2     | 1.4     | 4.0     | 8.0    | Q3            |
| TL432CDBZR    | SOT-23       | DBZ             | 3    | 3000 | 180.0              | 8.4                | 3.2     | 2.85    | 1.3     | 4.0     | 8.0    | Q3            |
| TL432CDBZR    | SOT-23       | DBZ             | 3    | 3000 | 180.0              | 8.4                | 2.9     | 3.35    | 1.35    | 4.0     | 8.0    | Q3            |
| TL432CDBZRG4  | SOT-23       | DBZ             | 3    | 3000 | 180.0              | 8.4                | 2.9     | 3.35    | 1.35    | 4.0     | 8.0    | Q3            |



| Device       | Package Type | Package Drawing | Pins | SPQ  | Reel Diameter (mm) | Reel Width W1 (mm) | A0 (mm) | B0 (mm) | K0 (mm) | P1 (mm) | W (mm) | Pin1 Quadrant |
|--------------|--------------|-----------------|------|------|--------------------|--------------------|---------|---------|---------|---------|--------|---------------|
| TL432CPK     | SOT-89       | PK              | 3    | 1000 | 180.0              | 12.4               | 4.91    | 4.52    | 1.9     | 8.0     | 12.0   | Q3            |
| TL432CPK     | SOT-89       | PK              | 3    | 1000 | 180.0              | 12.4               | 4.91    | 4.52    | 1.9     | 8.0     | 12.0   | Q3            |
| TL432IDBVR   | SOT-23       | DBV             | 5    | 3000 | 180.0              | 8.4                | 3.2     | 3.2     | 1.4     | 4.0     | 8.0    | Q3            |
| TL432IDBZR   | SOT-23       | DBZ             | 3    | 3000 | 180.0              | 8.4                | 3.2     | 2.85    | 1.3     | 4.0     | 8.0    | Q3            |
| TL432IDBZR   | SOT-23       | DBZ             | 3    | 3000 | 180.0              | 8.4                | 2.9     | 3.35    | 1.35    | 4.0     | 8.0    | Q3            |
| TL432IDBZRG4 | SOT-23       | DBZ             | 3    | 3000 | 180.0              | 8.4                | 2.9     | 3.35    | 1.35    | 4.0     | 8.0    | Q3            |
| TL432IDBZT   | SOT-23       | DBZ             | 3    | 250  | 180.0              | 8.4                | 3.2     | 2.85    | 1.3     | 4.0     | 8.0    | Q3            |
| TL432IDBZT   | SOT-23       | DBZ             | 3    | 250  | 178.0              | 9.0                | 3.15    | 2.77    | 1.22    | 4.0     | 8.0    | Q3            |
| TL432IDBZT   | SOT-23       | DBZ             | 3    | 250  | 180.0              | 8.4                | 2.9     | 3.35    | 1.35    | 4.0     | 8.0    | Q3            |
| TL432IDBZTG4 | SOT-23       | DBZ             | 3    | 250  | 180.0              | 8.4                | 2.9     | 3.35    | 1.35    | 4.0     | 8.0    | Q3            |
| TL432IPK     | SOT-89       | PK              | 3    | 1000 | 180.0              | 12.4               | 4.91    | 4.52    | 1.9     | 8.0     | 12.0   | Q3            |
| TL432IPK     | SOT-89       | PK              | 3    | 1000 | 180.0              | 12.4               | 4.91    | 4.52    | 1.9     | 8.0     | 12.0   | Q3            |
| TL432QDBZR   | SOT-23       | DBZ             | 3    | 3000 | 178.0              | 9.0                | 3.15    | 2.77    | 1.22    | 4.0     | 8.0    | Q3            |
| TL432QDBZR   | SOT-23       | DBZ             | 3    | 3000 | 180.0              | 8.4                | 3.2     | 2.85    | 1.3     | 4.0     | 8.0    | Q3            |
| TL432QDBZR   | SOT-23       | DBZ             | 3    | 3000 | 180.0              | 8.4                | 2.9     | 3.35    | 1.35    | 4.0     | 8.0    | Q3            |
| TL432QDBZRG4 | SOT-23       | DBZ             | 3    | 3000 | 180.0              | 8.4                | 2.9     | 3.35    | 1.35    | 4.0     | 8.0    | Q3            |
| TL432QPK     | SOT-89       | PK              | 3    | 1000 | 180.0              | 12.4               | 4.91    | 4.52    | 1.9     | 8.0     | 12.0   | Q3            |
| TL432QPK     | SOT-89       | PK              | 3    | 1000 | 180.0              | 12.4               | 4.91    | 4.52    | 1.9     | 8.0     | 12.0   | Q3            |

**TAPE AND REEL BOX DIMENSIONS**


\*All dimensions are nominal

| Device        | Package Type | Package Drawing | Pins | SPQ  | Length (mm) | Width (mm) | Height (mm) |
|---------------|--------------|-----------------|------|------|-------------|------------|-------------|
| TL431ACDBVR   | SOT-23       | DBV             | 5    | 3000 | 180.0       | 180.0      | 18.0        |
| TL431ACDBVT   | SOT-23       | DBV             | 5    | 250  | 180.0       | 180.0      | 18.0        |
| TL431ACDBZR   | SOT-23       | DBZ             | 3    | 3000 | 210.0       | 185.0      | 35.0        |
| TL431ACDBZR   | SOT-23       | DBZ             | 3    | 3000 | 210.0       | 185.0      | 35.0        |
| TL431ACDBZRG4 | SOT-23       | DBZ             | 3    | 3000 | 210.0       | 185.0      | 35.0        |
| TL431ACDBZT   | SOT-23       | DBZ             | 3    | 250  | 210.0       | 185.0      | 35.0        |
| TL431ACDBZT   | SOT-23       | DBZ             | 3    | 250  | 180.0       | 180.0      | 18.0        |
| TL431ACDBZT   | SOT-23       | DBZ             | 3    | 250  | 210.0       | 185.0      | 35.0        |
| TL431ACDBZTG4 | SOT-23       | DBZ             | 3    | 250  | 210.0       | 185.0      | 35.0        |
| TL431ACDCKR   | SC70         | DCK             | 6    | 3000 | 183.0       | 183.0      | 20.0        |
| TL431ACPK     | SOT-89       | PK              | 3    | 1000 | 340.0       | 340.0      | 38.0        |
| TL431ACPK     | SOT-89       | PK              | 3    | 1000 | 190.0       | 190.0      | 30.0        |
| TL431ACPSR    | SO           | PS              | 8    | 2000 | 356.0       | 356.0      | 35.0        |
| TL431ACPWR    | TSSOP        | PW              | 8    | 2000 | 356.0       | 356.0      | 35.0        |
| TL431AIDBVR   | SOT-23       | DBV             | 5    | 3000 | 183.0       | 183.0      | 20.0        |
| TL431AIDBVR   | SOT-23       | DBV             | 5    | 3000 | 180.0       | 180.0      | 18.0        |
| TL431AIDBVT   | SOT-23       | DBV             | 5    | 250  | 180.0       | 180.0      | 18.0        |
| TL431AIDBZR   | SOT-23       | DBZ             | 3    | 3000 | 210.0       | 185.0      | 35.0        |

| Device        | Package Type | Package Drawing | Pins | SPQ  | Length (mm) | Width (mm) | Height (mm) |
|---------------|--------------|-----------------|------|------|-------------|------------|-------------|
| TL431AIDBZR   | SOT-23       | DBZ             | 3    | 3000 | 210.0       | 185.0      | 35.0        |
| TL431AIDBZRG4 | SOT-23       | DBZ             | 3    | 3000 | 210.0       | 185.0      | 35.0        |
| TL431AIDBZT   | SOT-23       | DBZ             | 3    | 250  | 210.0       | 185.0      | 35.0        |
| TL431AIDBZT   | SOT-23       | DBZ             | 3    | 250  | 180.0       | 180.0      | 18.0        |
| TL431AIDBZT   | SOT-23       | DBZ             | 3    | 250  | 210.0       | 185.0      | 35.0        |
| TL431AIDBZTG4 | SOT-23       | DBZ             | 3    | 250  | 210.0       | 185.0      | 35.0        |
| TL431AIDCKR   | SC70         | DCK             | 6    | 3000 | 200.0       | 183.0      | 25.0        |
| TL431AIDCKRG4 | SC70         | DCK             | 6    | 3000 | 200.0       | 183.0      | 25.0        |
| TL431AIDCKT   | SC70         | DCK             | 6    | 250  | 200.0       | 183.0      | 25.0        |
| TL431AIDR     | SOIC         | D               | 8    | 2500 | 353.0       | 353.0      | 32.0        |
| TL431AIPK     | SOT-89       | PK              | 3    | 1000 | 340.0       | 340.0      | 38.0        |
| TL431AIPK     | SOT-89       | PK              | 3    | 1000 | 190.0       | 190.0      | 30.0        |
| TL431AQDBVR   | SOT-23       | DBV             | 5    | 3000 | 180.0       | 180.0      | 18.0        |
| TL431AQDBVT   | SOT-23       | DBV             | 5    | 250  | 180.0       | 180.0      | 18.0        |
| TL431AQDBZR   | SOT-23       | DBZ             | 3    | 3000 | 210.0       | 185.0      | 35.0        |
| TL431AQDBZR   | SOT-23       | DBZ             | 3    | 3000 | 210.0       | 185.0      | 35.0        |
| TL431AQDBZRG4 | SOT-23       | DBZ             | 3    | 3000 | 210.0       | 185.0      | 35.0        |
| TL431AQDBZT   | SOT-23       | DBZ             | 3    | 250  | 210.0       | 185.0      | 35.0        |
| TL431AQDBZT   | SOT-23       | DBZ             | 3    | 250  | 210.0       | 185.0      | 35.0        |
| TL431AQDBZTG4 | SOT-23       | DBZ             | 3    | 250  | 210.0       | 185.0      | 35.0        |
| TL431AQDCKR   | SC70         | DCK             | 6    | 3000 | 200.0       | 183.0      | 25.0        |
| TL431AQDCKT   | SC70         | DCK             | 6    | 250  | 200.0       | 183.0      | 25.0        |
| TL431AQPK     | SOT-89       | PK              | 3    | 1000 | 340.0       | 340.0      | 38.0        |
| TL431AQPK     | SOT-89       | PK              | 3    | 1000 | 190.0       | 190.0      | 30.0        |
| TL431BCDBVR   | SOT-23       | DBV             | 5    | 3000 | 180.0       | 180.0      | 18.0        |
| TL431BCDBVT   | SOT-23       | DBV             | 5    | 250  | 180.0       | 180.0      | 18.0        |
| TL431BCDBVT   | SOT-23       | DBV             | 5    | 250  | 203.0       | 203.0      | 35.0        |
| TL431BCDBZR   | SOT-23       | DBZ             | 3    | 3000 | 210.0       | 185.0      | 35.0        |
| TL431BCDBZR   | SOT-23       | DBZ             | 3    | 3000 | 210.0       | 185.0      | 35.0        |
| TL431BCDBZRG4 | SOT-23       | DBZ             | 3    | 3000 | 210.0       | 185.0      | 35.0        |
| TL431BCDBZT   | SOT-23       | DBZ             | 3    | 250  | 210.0       | 185.0      | 35.0        |
| TL431BCDBZT   | SOT-23       | DBZ             | 3    | 250  | 210.0       | 185.0      | 35.0        |
| TL431BCDBZT   | SOT-23       | DBZ             | 3    | 250  | 180.0       | 180.0      | 18.0        |
| TL431BCDBZTG4 | SOT-23       | DBZ             | 3    | 250  | 210.0       | 185.0      | 35.0        |
| TL431BCDCKR   | SC70         | DCK             | 6    | 3000 | 200.0       | 183.0      | 25.0        |
| TL431BCDCKT   | SC70         | DCK             | 6    | 250  | 200.0       | 183.0      | 25.0        |
| TL431BCDR     | SOIC         | D               | 8    | 2500 | 353.0       | 353.0      | 32.0        |
| TL431BCPK     | SOT-89       | PK              | 3    | 1000 | 190.0       | 190.0      | 30.0        |
| TL431BCPK     | SOT-89       | PK              | 3    | 1000 | 340.0       | 340.0      | 38.0        |
| TL431BIDBVR   | SOT-23       | DBV             | 5    | 3000 | 180.0       | 180.0      | 18.0        |
| TL431BIDBVT   | SOT-23       | DBV             | 5    | 250  | 180.0       | 180.0      | 18.0        |
| TL431BIDBZR   | SOT-23       | DBZ             | 3    | 3000 | 210.0       | 185.0      | 35.0        |
| TL431BIDBZR   | SOT-23       | DBZ             | 3    | 3000 | 210.0       | 185.0      | 35.0        |

| Device        | Package Type | Package Drawing | Pins | SPQ  | Length (mm) | Width (mm) | Height (mm) |
|---------------|--------------|-----------------|------|------|-------------|------------|-------------|
| TL431BIDBZRG4 | SOT-23       | DBZ             | 3    | 3000 | 210.0       | 185.0      | 35.0        |
| TL431BIDBZT   | SOT-23       | DBZ             | 3    | 250  | 210.0       | 185.0      | 35.0        |
| TL431BIDBZT   | SOT-23       | DBZ             | 3    | 250  | 210.0       | 185.0      | 35.0        |
| TL431BIDBZT   | SOT-23       | DBZ             | 3    | 250  | 180.0       | 180.0      | 18.0        |
| TL431BIDBZTG4 | SOT-23       | DBZ             | 3    | 250  | 210.0       | 185.0      | 35.0        |
| TL431BIDCKR   | SC70         | DCK             | 6    | 3000 | 200.0       | 183.0      | 25.0        |
| TL431BIDCKT   | SC70         | DCK             | 6    | 250  | 203.0       | 203.0      | 35.0        |
| TL431BIDR     | SOIC         | D               | 8    | 2500 | 353.0       | 353.0      | 32.0        |
| TL431BIPK     | SOT-89       | PK              | 3    | 1000 | 340.0       | 340.0      | 38.0        |
| TL431BIPK     | SOT-89       | PK              | 3    | 1000 | 190.0       | 190.0      | 30.0        |
| TL431BQDBVR   | SOT-23       | DBV             | 5    | 3000 | 180.0       | 180.0      | 18.0        |
| TL431BQDBVT   | SOT-23       | DBV             | 5    | 250  | 200.0       | 183.0      | 25.0        |
| TL431BQDBVT   | SOT-23       | DBV             | 5    | 250  | 180.0       | 180.0      | 18.0        |
| TL431BQDBZR   | SOT-23       | DBZ             | 3    | 3000 | 210.0       | 185.0      | 35.0        |
| TL431BQDBZR   | SOT-23       | DBZ             | 3    | 3000 | 210.0       | 185.0      | 35.0        |
| TL431BQDBZRG4 | SOT-23       | DBZ             | 3    | 3000 | 210.0       | 185.0      | 35.0        |
| TL431BQDBZT   | SOT-23       | DBZ             | 3    | 250  | 180.0       | 180.0      | 18.0        |
| TL431BQDBZT   | SOT-23       | DBZ             | 3    | 250  | 210.0       | 185.0      | 35.0        |
| TL431BQDBZT   | SOT-23       | DBZ             | 3    | 250  | 210.0       | 185.0      | 35.0        |
| TL431BQDBZTG4 | SOT-23       | DBZ             | 3    | 250  | 210.0       | 185.0      | 35.0        |
| TL431BQDCKR   | SC70         | DCK             | 6    | 3000 | 200.0       | 183.0      | 25.0        |
| TL431BQDCKT   | SC70         | DCK             | 6    | 250  | 203.0       | 203.0      | 35.0        |
| TL431BQDR     | SOIC         | D               | 8    | 2500 | 353.0       | 353.0      | 32.0        |
| TL431BQPK     | SOT-89       | PK              | 3    | 1000 | 190.0       | 190.0      | 30.0        |
| TL431CDBVR    | SOT-23       | DBV             | 5    | 3000 | 180.0       | 180.0      | 18.0        |
| TL431CDBVT    | SOT-23       | DBV             | 5    | 250  | 183.0       | 183.0      | 20.0        |
| TL431CDBVT    | SOT-23       | DBV             | 5    | 250  | 180.0       | 180.0      | 18.0        |
| TL431CDBZR    | SOT-23       | DBZ             | 3    | 3000 | 210.0       | 185.0      | 35.0        |
| TL431CDBZR    | SOT-23       | DBZ             | 3    | 3000 | 210.0       | 185.0      | 35.0        |
| TL431CDBZRG4  | SOT-23       | DBZ             | 3    | 3000 | 210.0       | 185.0      | 35.0        |
| TL431CDBZT    | SOT-23       | DBZ             | 3    | 250  | 210.0       | 185.0      | 35.0        |
| TL431CDBZT    | SOT-23       | DBZ             | 3    | 250  | 210.0       | 185.0      | 35.0        |
| TL431CDBZTG4  | SOT-23       | DBZ             | 3    | 250  | 210.0       | 185.0      | 35.0        |
| TL431CDR      | SOIC         | D               | 8    | 2500 | 340.5       | 338.1      | 20.6        |
| TL431CDR-J    | SOIC         | D               | 8    | 2500 | 340.5       | 338.1      | 20.6        |
| TL431CPK      | SOT-89       | PK              | 3    | 1000 | 340.0       | 340.0      | 38.0        |
| TL431CPK      | SOT-89       | PK              | 3    | 1000 | 190.0       | 190.0      | 30.0        |
| TL431CPKE6    | SOT-89       | PK              | 3    | 1000 | 182.0       | 182.0      | 20.0        |
| TL431IDBVR    | SOT-23       | DBV             | 5    | 3000 | 180.0       | 180.0      | 18.0        |
| TL431IDBVT    | SOT-23       | DBV             | 5    | 250  | 180.0       | 180.0      | 18.0        |
| TL431IDBZR    | SOT-23       | DBZ             | 3    | 3000 | 210.0       | 185.0      | 35.0        |
| TL431IDBZR    | SOT-23       | DBZ             | 3    | 3000 | 210.0       | 185.0      | 35.0        |
| TL431IDBZRG4  | SOT-23       | DBZ             | 3    | 3000 | 210.0       | 185.0      | 35.0        |

| Device        | Package Type | Package Drawing | Pins | SPQ  | Length (mm) | Width (mm) | Height (mm) |
|---------------|--------------|-----------------|------|------|-------------|------------|-------------|
| TL431IDBZT    | SOT-23       | DBZ             | 3    | 250  | 210.0       | 185.0      | 35.0        |
| TL431IDBZT    | SOT-23       | DBZ             | 3    | 250  | 210.0       | 185.0      | 35.0        |
| TL431IDBZT    | SOT-23       | DBZ             | 3    | 250  | 180.0       | 180.0      | 18.0        |
| TL431IDBZTG4  | SOT-23       | DBZ             | 3    | 250  | 210.0       | 185.0      | 35.0        |
| TL431IDR      | SOIC         | D               | 8    | 2500 | 353.0       | 353.0      | 32.0        |
| TL431IPK      | SOT-89       | PK              | 3    | 1000 | 190.0       | 190.0      | 30.0        |
| TL431IPK      | SOT-89       | PK              | 3    | 1000 | 340.0       | 340.0      | 38.0        |
| TL431QDBVR    | SOT-23       | DBV             | 5    | 3000 | 180.0       | 180.0      | 18.0        |
| TL431QDBVT    | SOT-23       | DBV             | 5    | 250  | 180.0       | 180.0      | 18.0        |
| TL431QDBZR    | SOT-23       | DBZ             | 3    | 3000 | 210.0       | 185.0      | 35.0        |
| TL431QDBZR    | SOT-23       | DBZ             | 3    | 3000 | 210.0       | 185.0      | 35.0        |
| TL431QDBZRG4  | SOT-23       | DBZ             | 3    | 3000 | 210.0       | 185.0      | 35.0        |
| TL431QDBZT    | SOT-23       | DBZ             | 3    | 250  | 180.0       | 180.0      | 18.0        |
| TL431QDBZT    | SOT-23       | DBZ             | 3    | 250  | 210.0       | 185.0      | 35.0        |
| TL431QDBZT    | SOT-23       | DBZ             | 3    | 250  | 210.0       | 185.0      | 35.0        |
| TL431QDBZTG4  | SOT-23       | DBZ             | 3    | 250  | 210.0       | 185.0      | 35.0        |
| TL431QDCKR    | SC70         | DCK             | 6    | 3000 | 203.0       | 203.0      | 35.0        |
| TL431QDCKT    | SC70         | DCK             | 6    | 250  | 203.0       | 203.0      | 35.0        |
| TL431QDR      | SOIC         | D               | 8    | 2500 | 353.0       | 353.0      | 32.0        |
| TL431QPK      | SOT-89       | PK              | 3    | 1000 | 190.0       | 190.0      | 30.0        |
| TL432ACDBVR   | SOT-23       | DBV             | 5    | 3000 | 210.0       | 185.0      | 35.0        |
| TL432ACDBZR   | SOT-23       | DBZ             | 3    | 3000 | 210.0       | 185.0      | 35.0        |
| TL432ACDBZR   | SOT-23       | DBZ             | 3    | 3000 | 210.0       | 185.0      | 35.0        |
| TL432ACDBZRG4 | SOT-23       | DBZ             | 3    | 3000 | 210.0       | 185.0      | 35.0        |
| TL432ACDBZT   | SOT-23       | DBZ             | 3    | 250  | 210.0       | 185.0      | 35.0        |
| TL432ACDBZT   | SOT-23       | DBZ             | 3    | 250  | 180.0       | 180.0      | 18.0        |
| TL432ACDBZT   | SOT-23       | DBZ             | 3    | 250  | 210.0       | 185.0      | 35.0        |
| TL432ACDBZTG4 | SOT-23       | DBZ             | 3    | 250  | 210.0       | 185.0      | 35.0        |
| TL432AIDBVR   | SOT-23       | DBV             | 5    | 3000 | 180.0       | 180.0      | 18.0        |
| TL432AIDBZR   | SOT-23       | DBZ             | 3    | 3000 | 210.0       | 185.0      | 35.0        |
| TL432AIDBZR   | SOT-23       | DBZ             | 3    | 3000 | 210.0       | 185.0      | 35.0        |
| TL432AIDBZRG4 | SOT-23       | DBZ             | 3    | 3000 | 210.0       | 185.0      | 35.0        |
| TL432AIDBZT   | SOT-23       | DBZ             | 3    | 250  | 210.0       | 185.0      | 35.0        |
| TL432AIDBZT   | SOT-23       | DBZ             | 3    | 250  | 180.0       | 180.0      | 18.0        |
| TL432AIDBZT   | SOT-23       | DBZ             | 3    | 250  | 210.0       | 185.0      | 35.0        |
| TL432AIDBZTG4 | SOT-23       | DBZ             | 3    | 250  | 210.0       | 185.0      | 35.0        |
| TL432AIPK     | SOT-89       | PK              | 3    | 1000 | 190.0       | 190.0      | 30.0        |
| TL432AIPK     | SOT-89       | PK              | 3    | 1000 | 340.0       | 340.0      | 38.0        |
| TL432AQDBVR   | SOT-23       | DBV             | 5    | 3000 | 180.0       | 180.0      | 18.0        |
| TL432AQDBVR   | SOT-23       | DBV             | 5    | 3000 | 203.0       | 203.0      | 35.0        |
| TL432AQDBVT   | SOT-23       | DBV             | 5    | 250  | 210.0       | 185.0      | 35.0        |
| TL432AQDBZR   | SOT-23       | DBZ             | 3    | 3000 | 210.0       | 185.0      | 35.0        |
| TL432AQDBZR   | SOT-23       | DBZ             | 3    | 3000 | 210.0       | 185.0      | 35.0        |

| Device        | Package Type | Package Drawing | Pins | SPQ  | Length (mm) | Width (mm) | Height (mm) |
|---------------|--------------|-----------------|------|------|-------------|------------|-------------|
| TL432AQDBZRG4 | SOT-23       | DBZ             | 3    | 3000 | 210.0       | 185.0      | 35.0        |
| TL432AQDBZT   | SOT-23       | DBZ             | 3    | 250  | 210.0       | 185.0      | 35.0        |
| TL432AQDBZT   | SOT-23       | DBZ             | 3    | 250  | 180.0       | 180.0      | 18.0        |
| TL432AQDBZT   | SOT-23       | DBZ             | 3    | 250  | 210.0       | 185.0      | 35.0        |
| TL432AQDBZTG4 | SOT-23       | DBZ             | 3    | 250  | 210.0       | 185.0      | 35.0        |
| TL432AQPK     | SOT-89       | PK              | 3    | 1000 | 340.0       | 340.0      | 38.0        |
| TL432AQPK     | SOT-89       | PK              | 3    | 1000 | 190.0       | 190.0      | 30.0        |
| TL432BCDBVR   | SOT-23       | DBV             | 5    | 3000 | 210.0       | 185.0      | 35.0        |
| TL432BCDBZR   | SOT-23       | DBZ             | 3    | 3000 | 210.0       | 185.0      | 35.0        |
| TL432BCDBZR   | SOT-23       | DBZ             | 3    | 3000 | 210.0       | 185.0      | 35.0        |
| TL432BCDBZRG4 | SOT-23       | DBZ             | 3    | 3000 | 210.0       | 185.0      | 35.0        |
| TL432BCDBZT   | SOT-23       | DBZ             | 3    | 250  | 210.0       | 185.0      | 35.0        |
| TL432BCDBZT   | SOT-23       | DBZ             | 3    | 250  | 210.0       | 185.0      | 35.0        |
| TL432BCDBZT   | SOT-23       | DBZ             | 3    | 250  | 180.0       | 180.0      | 18.0        |
| TL432BCDBZTG4 | SOT-23       | DBZ             | 3    | 250  | 210.0       | 185.0      | 35.0        |
| TL432BCPK     | SOT-89       | PK              | 3    | 1000 | 190.0       | 190.0      | 30.0        |
| TL432BCPK     | SOT-89       | PK              | 3    | 1000 | 340.0       | 340.0      | 38.0        |
| TL432BIDBZR   | SOT-23       | DBZ             | 3    | 3000 | 210.0       | 185.0      | 35.0        |
| TL432BIDBZR   | SOT-23       | DBZ             | 3    | 3000 | 210.0       | 185.0      | 35.0        |
| TL432BIDBZRG4 | SOT-23       | DBZ             | 3    | 3000 | 210.0       | 185.0      | 35.0        |
| TL432BIDBZT   | SOT-23       | DBZ             | 3    | 250  | 210.0       | 185.0      | 35.0        |
| TL432BIDBZT   | SOT-23       | DBZ             | 3    | 250  | 180.0       | 180.0      | 18.0        |
| TL432BIDBZT   | SOT-23       | DBZ             | 3    | 250  | 210.0       | 185.0      | 35.0        |
| TL432BIDBZTG4 | SOT-23       | DBZ             | 3    | 250  | 210.0       | 185.0      | 35.0        |
| TL432BIPK     | SOT-89       | PK              | 3    | 1000 | 190.0       | 190.0      | 30.0        |
| TL432BIPK     | SOT-89       | PK              | 3    | 1000 | 340.0       | 340.0      | 38.0        |
| TL432BQDBZR   | SOT-23       | DBZ             | 3    | 3000 | 210.0       | 185.0      | 35.0        |
| TL432BQPK     | SOT-89       | PK              | 3    | 1000 | 340.0       | 340.0      | 38.0        |
| TL432BQPK     | SOT-89       | PK              | 3    | 1000 | 190.0       | 190.0      | 30.0        |
| TL432CDBVR    | SOT-23       | DBV             | 5    | 3000 | 210.0       | 185.0      | 35.0        |
| TL432CDBZR    | SOT-23       | DBZ             | 3    | 3000 | 210.0       | 185.0      | 35.0        |
| TL432CDBZR    | SOT-23       | DBZ             | 3    | 3000 | 210.0       | 185.0      | 35.0        |
| TL432CDBZRG4  | SOT-23       | DBZ             | 3    | 3000 | 210.0       | 185.0      | 35.0        |
| TL432CPK      | SOT-89       | PK              | 3    | 1000 | 340.0       | 340.0      | 38.0        |
| TL432CPK      | SOT-89       | PK              | 3    | 1000 | 190.0       | 190.0      | 30.0        |
| TL432IDBVR    | SOT-23       | DBV             | 5    | 3000 | 210.0       | 185.0      | 35.0        |
| TL432IDBZR    | SOT-23       | DBZ             | 3    | 3000 | 210.0       | 185.0      | 35.0        |
| TL432IDBZR    | SOT-23       | DBZ             | 3    | 3000 | 210.0       | 185.0      | 35.0        |
| TL432IDBZRG4  | SOT-23       | DBZ             | 3    | 3000 | 210.0       | 185.0      | 35.0        |
| TL432IDBZT    | SOT-23       | DBZ             | 3    | 250  | 210.0       | 185.0      | 35.0        |
| TL432IDBZT    | SOT-23       | DBZ             | 3    | 250  | 180.0       | 180.0      | 18.0        |
| TL432IDBZT    | SOT-23       | DBZ             | 3    | 250  | 210.0       | 185.0      | 35.0        |
| TL432IDBZTG4  | SOT-23       | DBZ             | 3    | 250  | 210.0       | 185.0      | 35.0        |

| Device       | Package Type | Package Drawing | Pins | SPQ  | Length (mm) | Width (mm) | Height (mm) |
|--------------|--------------|-----------------|------|------|-------------|------------|-------------|
| TL432IPK     | SOT-89       | PK              | 3    | 1000 | 190.0       | 190.0      | 30.0        |
| TL432IPK     | SOT-89       | PK              | 3    | 1000 | 340.0       | 340.0      | 38.0        |
| TL432QDBZR   | SOT-23       | DBZ             | 3    | 3000 | 180.0       | 180.0      | 18.0        |
| TL432QDBZR   | SOT-23       | DBZ             | 3    | 3000 | 210.0       | 185.0      | 35.0        |
| TL432QDBZR   | SOT-23       | DBZ             | 3    | 3000 | 210.0       | 185.0      | 35.0        |
| TL432QDBZRG4 | SOT-23       | DBZ             | 3    | 3000 | 210.0       | 185.0      | 35.0        |
| TL432QPK     | SOT-89       | PK              | 3    | 1000 | 190.0       | 190.0      | 30.0        |
| TL432QPK     | SOT-89       | PK              | 3    | 1000 | 340.0       | 340.0      | 38.0        |

**TUBE**


\*All dimensions are nominal

| Device   | Package Name | Package Type | Pins | SPQ | L (mm) | W (mm) | T (μm) | B (mm) |
|----------|--------------|--------------|------|-----|--------|--------|--------|--------|
| TL431ACD | D            | SOIC         | 8    | 75  | 507    | 8      | 3940   | 4.32   |
| TL431ACP | P            | PDIP         | 8    | 50  | 506    | 13.97  | 11230  | 4.32   |
| TL431AID | D            | SOIC         | 8    | 75  | 507    | 8      | 3940   | 4.32   |
| TL431BCD | D            | SOIC         | 8    | 75  | 507    | 8      | 3940   | 4.32   |
| TL431BID | D            | SOIC         | 8    | 75  | 507    | 8      | 3940   | 4.32   |
| TL431BQD | D            | SOIC         | 8    | 75  | 507    | 8      | 3940   | 4.32   |
| TL431CD  | D            | SOIC         | 8    | 75  | 507    | 8      | 3940   | 4.32   |
| TL431ID  | D            | SOIC         | 8    | 75  | 507    | 8      | 3940   | 4.32   |
| TL431QD  | D            | SOIC         | 8    | 75  | 507    | 8      | 3940   | 4.32   |



# DBV0005A



# PACKAGE OUTLINE

SOT-23 - 1.45 mm max height

SMALL OUTLINE TRANSISTOR



4214839/K 08/2024

**NOTES:**

1. All linear dimensions are in millimeters. Any dimensions in parenthesis are for reference only. Dimensioning and tolerancing per ASME Y14.5M.
2. This drawing is subject to change without notice.
3. Reference JEDEC MO-178.
4. Body dimensions do not include mold flash, protrusions, or gate burrs. Mold flash, protrusions, or gate burrs shall not exceed 0.25 mm per side.
5. Support pin may differ or may not be present.

# EXAMPLE BOARD LAYOUT

DBV0005A

SOT-23 - 1.45 mm max height

SMALL OUTLINE TRANSISTOR



LAND PATTERN EXAMPLE  
EXPOSED METAL SHOWN  
SCALE:15X



SOLDER MASK DETAILS

4214839/K 08/2024

NOTES: (continued)

- 6. Publication IPC-7351 may have alternate designs.
- 7. Solder mask tolerances between and around signal pads can vary based on board fabrication site.

# EXAMPLE STENCIL DESIGN

DBV0005A

SOT-23 - 1.45 mm max height

SMALL OUTLINE TRANSISTOR

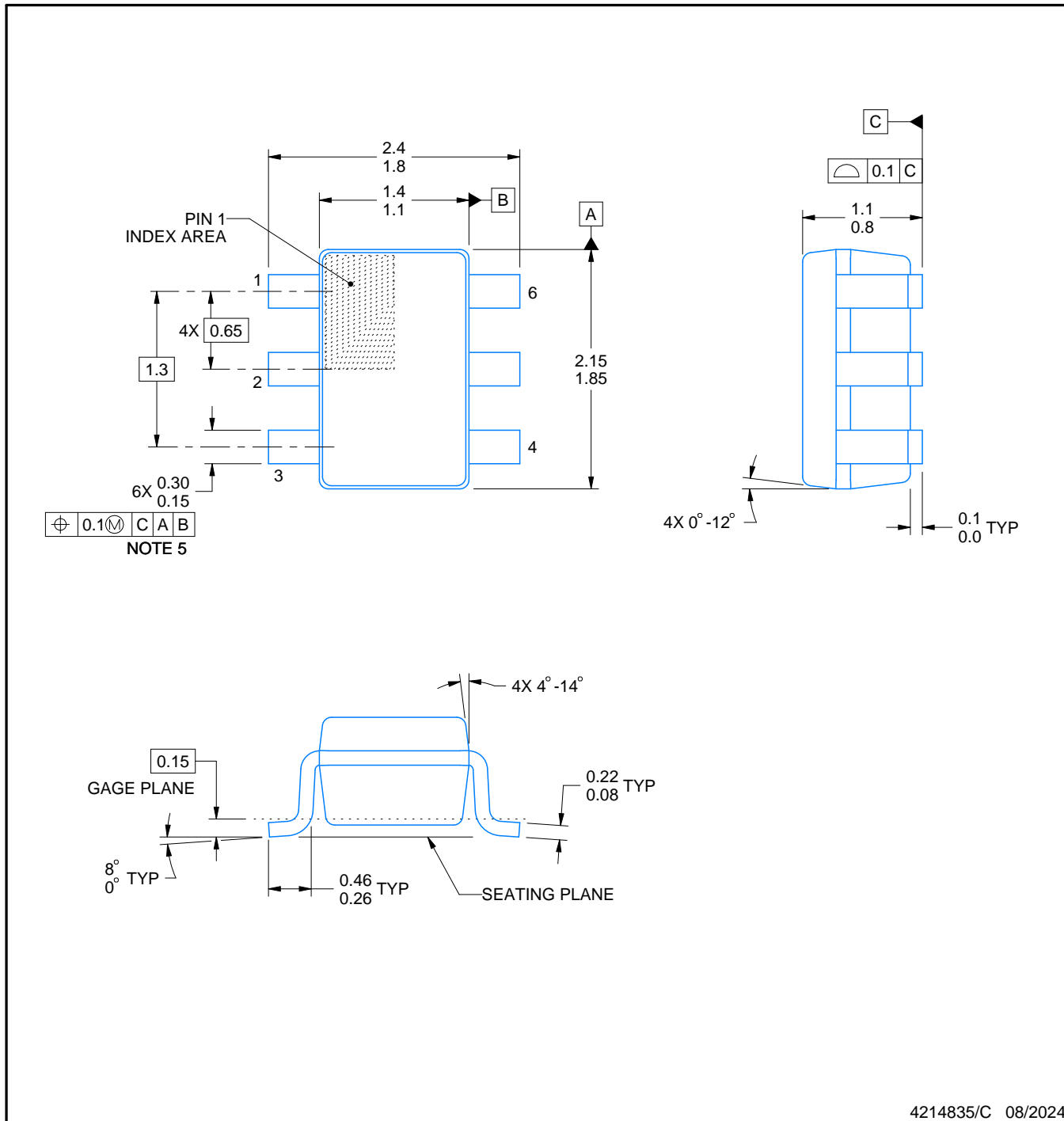


SOLDER PASTE EXAMPLE  
BASED ON 0.125 mm THICK STENCIL  
SCALE:15X

4214839/K 08/2024

NOTES: (continued)

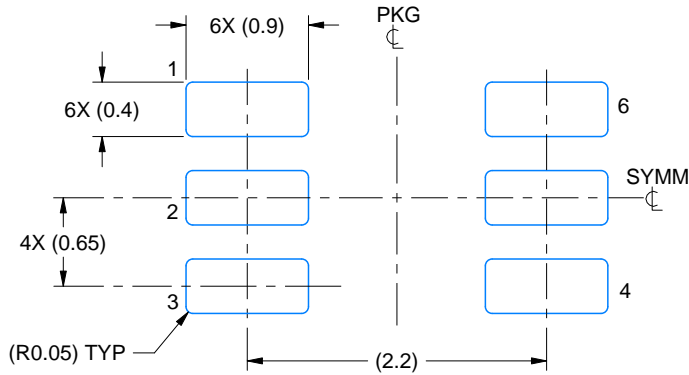
8. Laser cutting apertures with trapezoidal walls and rounded corners may offer better paste release. IPC-7525 may have alternate design recommendations.
9. Board assembly site may have different recommendations for stencil design.



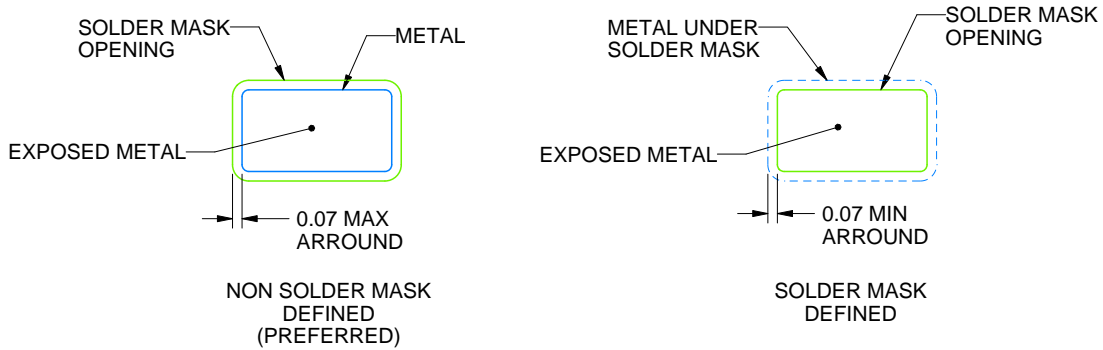
4214835/C 08/2024

NOTES:

1. All linear dimensions are in millimeters. Any dimensions in parenthesis are for reference only. Dimensioning and tolerancing per ASME Y14.5M.
2. This drawing is subject to change without notice.
3. Body dimensions do not include mold flash or protrusion. Mold flash and protrusion shall not exceed 0.15 per side.
4. Falls within JEDEC MO-203 variation AB.



LAND PATTERN EXAMPLE  
EXPOSED METAL SHOWN  
SCALE:18X

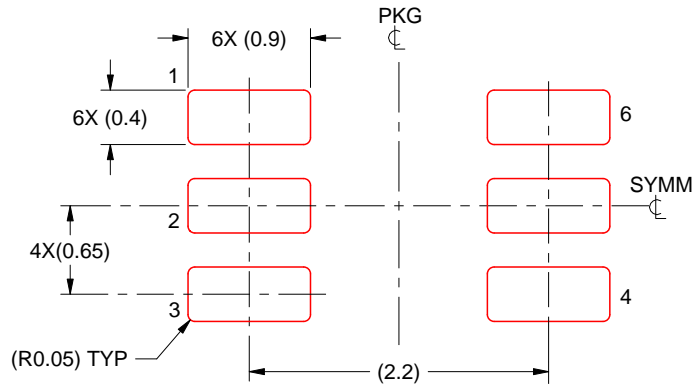


SOLDER MASK DETAILS

4214835/C 08/2024

NOTES: (continued)

- 5. Publication IPC-7351 may have alternate designs.
- 6. Solder mask tolerances between and around signal pads can vary based on board fabrication site.



SOLDER PASTE EXAMPLE  
BASED ON 0.125 THICK STENCIL  
SCALE:18X

4214835/C 08/2024

NOTES: (continued)

7. Laser cutting apertures with trapezoidal walls and rounded corners may offer better paste release. IPC-7525 may have alternate design recommendations.
8. Board assembly site may have different recommendations for stencil design.

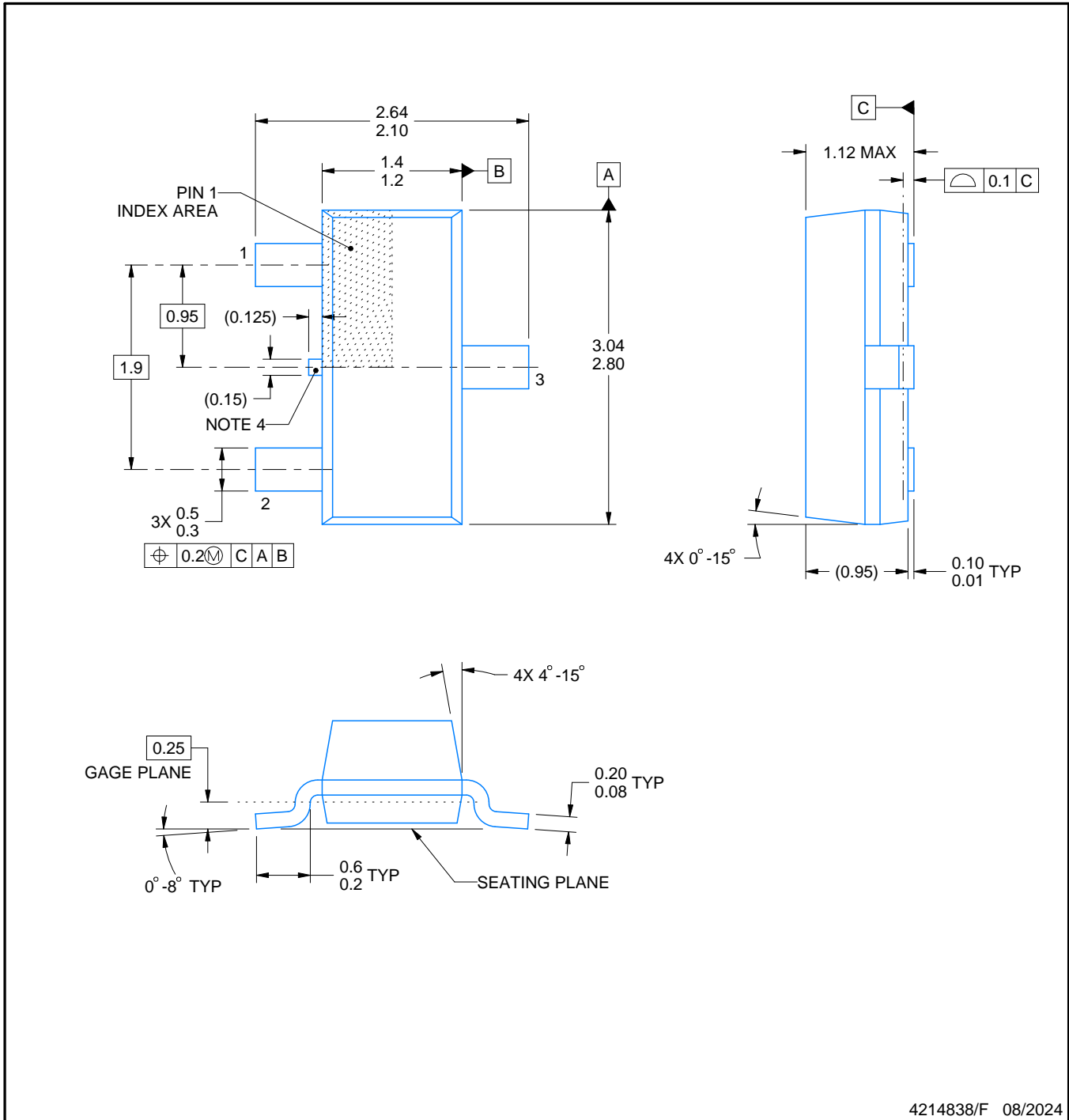
# DBZ0003A



# PACKAGE OUTLINE

## SOT-23 - 1.12 mm max height

SMALL OUTLINE TRANSISTOR



### NOTES:

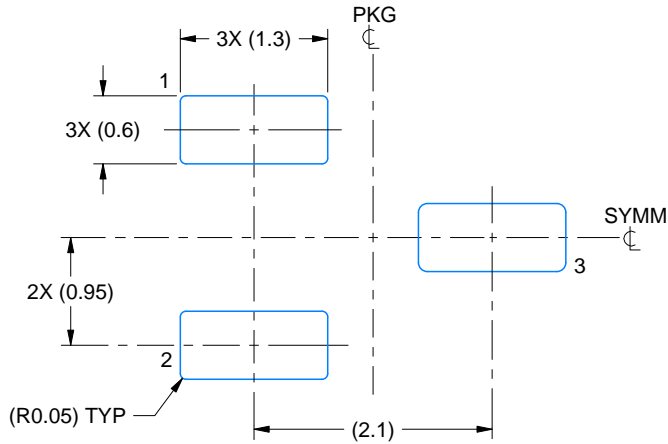
1. All linear dimensions are in millimeters. Any dimensions in parenthesis are for reference only. Dimensioning and tolerancing per ASME Y14.5M.
2. This drawing is subject to change without notice.
3. Reference JEDEC registration TO-236, except minimum foot length.
4. Support pin may differ or may not be present.
5. Body dimensions do not include mold flash, protrusions, or gate burrs. Mold flash, protrusions, or gate burrs shall not exceed 0.25mm per side

# EXAMPLE BOARD LAYOUT

DBZ0003A

SOT-23 - 1.12 mm max height

SMALL OUTLINE TRANSISTOR



LAND PATTERN EXAMPLE  
SCALE:15X



SOLDER MASK DETAILS

4214838/F 08/2024

NOTES: (continued)

5. Publication IPC-7351 may have alternate designs.
6. Solder mask tolerances between and around signal pads can vary based on board fabrication site.

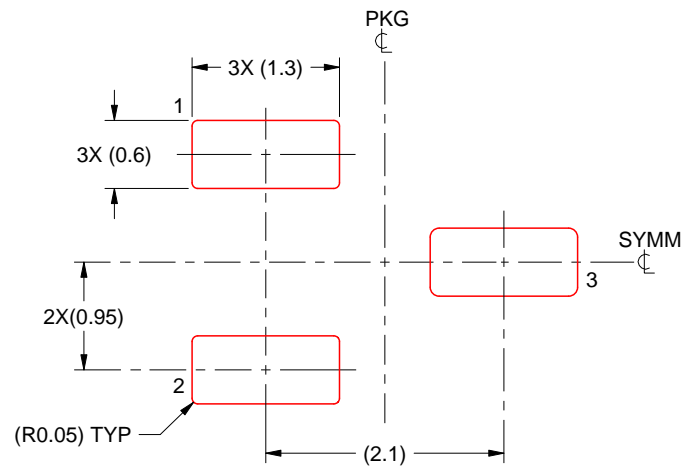


# EXAMPLE STENCIL DESIGN

DBZ0003A

SOT-23 - 1.12 mm max height

SMALL OUTLINE TRANSISTOR



SOLDER PASTE EXAMPLE  
BASED ON 0.125 THICK STENCIL  
SCALE:15X

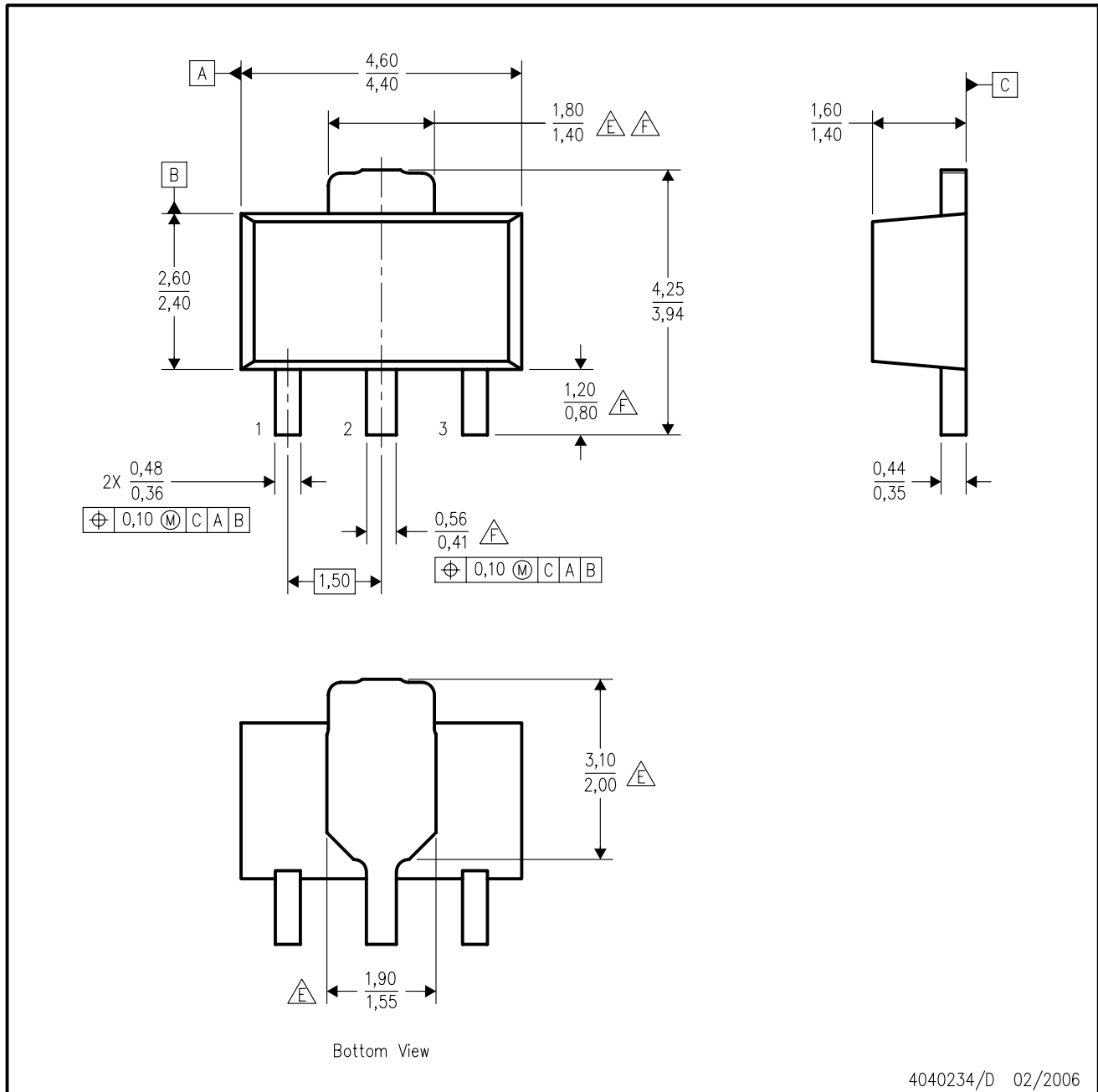
4214838/F 08/2024

NOTES: (continued)

7. Laser cutting apertures with trapezoidal walls and rounded corners may offer better paste release. IPC-7525 may have alternate design recommendations.
8. Board assembly site may have different recommendations for stencil design.

PK (R-PSS0-F3)

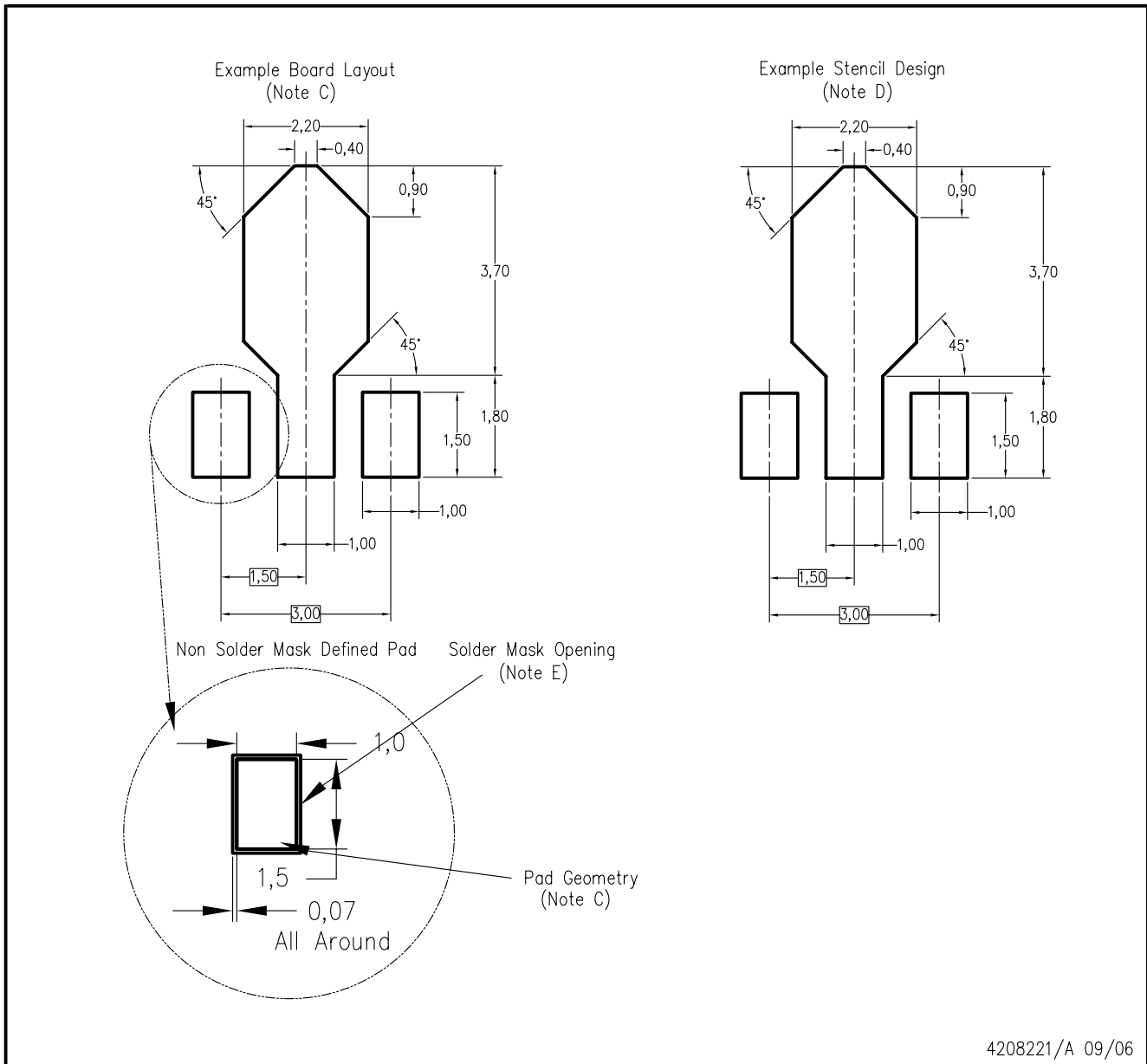
PLASTIC SINGLE-IN-LINE PACKAGE



4040234/D 02/2006

- NOTES:
- A. All linear dimensions are in millimeters. Dimensioning and tolerancing per ASME Y14.5M-1994.
  - B. This drawing is subject to change without notice.
  - C. The center lead is in electrical contact with the tab.
  - D. Body dimensions do not include mold flash or protrusion. Mold flash and protrusion not to exceed 0.15 per side.
  - $\triangle E$  Thermal pad contour optional within these dimensions.
  - $\triangle F$  Falls within JEDEC TO-243 variation AA, except minimum lead length, pin 2 minimum lead width, minimum tab width.

PK (R-PDSO-G3)



- NOTES:
- A. All linear dimensions are in millimeters.
  - B. This drawing is subject to change without notice.
  - C. Publication IPC-7351 is recommended for alternate designs.
  - D. Laser cutting apertures with trapezoidal walls and also rounding corners will offer better paste release. Customers should contact their board assembly site for stencil design recommendations. Refer to IPC-7525.
  - E. Customers should contact their board fabrication site for solder mask tolerances between and around signal pads.



D0008A

# PACKAGE OUTLINE

SOIC - 1.75 mm max height

SMALL OUTLINE INTEGRATED CIRCUIT



4214825/C 02/2019

### NOTES:

1. Linear dimensions are in inches [millimeters]. Dimensions in parenthesis are for reference only. Controlling dimensions are in inches. Dimensioning and tolerancing per ASME Y14.5M.
2. This drawing is subject to change without notice.
3. This dimension does not include mold flash, protrusions, or gate burrs. Mold flash, protrusions, or gate burrs shall not exceed  $.006$  [0.15] per side.
4. This dimension does not include interlead flash.
5. Reference JEDEC registration MS-012, variation AA.

# EXAMPLE BOARD LAYOUT

D0008A

SOIC - 1.75 mm max height

SMALL OUTLINE INTEGRATED CIRCUIT



LAND PATTERN EXAMPLE  
 EXPOSED METAL SHOWN  
 SCALE:8X



SOLDER MASK DETAILS

4214825/C 02/2019

NOTES: (continued)

- 6. Publication IPC-7351 may have alternate designs.
- 7. Solder mask tolerances between and around signal pads can vary based on board fabrication site.

# EXAMPLE STENCIL DESIGN

D0008A

SOIC - 1.75 mm max height

SMALL OUTLINE INTEGRATED CIRCUIT



SOLDER PASTE EXAMPLE  
BASED ON .005 INCH [0.125 MM] THICK STENCIL  
SCALE:8X

4214825/C 02/2019

NOTES: (continued)

8. Laser cutting apertures with trapezoidal walls and rounded corners may offer better paste release. IPC-7525 may have alternate design recommendations.
9. Board assembly site may have different recommendations for stencil design.

## MECHANICAL DATA

PS (R-PDSO-G8)

PLASTIC SMALL-OUTLINE PACKAGE



- NOTES:
- A. All linear dimensions are in millimeters.
  - B. This drawing is subject to change without notice.
  - C. Body dimensions do not include mold flash or protrusion, not to exceed 0,15.

PS (R-PDSO-G8)

PLASTIC SMALL OUTLINE



4212188/A 09/11

- NOTES:
- A. All linear dimensions are in millimeters.
  - B. This drawing is subject to change without notice.
  - C. Publication IPC-7351 is recommended for alternate designs.
  - D. Laser cutting apertures with trapezoidal walls and also rounding corners will offer better paste release. Customers should contact their board assembly site for stencil design recommendations. Refer to IPC-7525 for other stencil recommendations.
  - E. Customers should contact their board fabrication site for solder mask tolerances between and around signal pads.



P (R-PDIP-T8)

PLASTIC DUAL-IN-LINE PACKAGE



4040082/E 04/2010

- NOTES:
- A. All linear dimensions are in inches (millimeters).
  - B. This drawing is subject to change without notice.
  - C. Falls within JEDEC MS-001 variation BA.

PW0008A



**PACKAGE OUTLINE**  
**TSSOP - 1.2 mm max height**

SMALL OUTLINE PACKAGE



4221848/A 02/2015

NOTES:

- All linear dimensions are in millimeters. Any dimensions in parenthesis are for reference only. Dimensioning and tolerancing per ASME Y14.5M.
- This drawing is subject to change without notice.
- This dimension does not include mold flash, protrusions, or gate burrs. Mold flash, protrusions, or gate burrs shall not exceed 0.15 mm per side.
- This dimension does not include interlead flash. Interlead flash shall not exceed 0.25 mm per side.
- Reference JEDEC registration MO-153, variation AA.

# EXAMPLE BOARD LAYOUT

PW0008A

TSSOP - 1.2 mm max height

SMALL OUTLINE PACKAGE



LAND PATTERN EXAMPLE  
SCALE:10X



SOLDER MASK DETAILS  
NOT TO SCALE

4221848/A 02/2015

NOTES: (continued)

- 6. Publication IPC-7351 may have alternate designs.
- 7. Solder mask tolerances between and around signal pads can vary based on board fabrication site.

# EXAMPLE STENCIL DESIGN

PW0008A

TSSOP - 1.2 mm max height

SMALL OUTLINE PACKAGE



SOLDER PASTE EXAMPLE  
BASED ON 0.125 mm THICK STENCIL  
SCALE:10X

4221848/A 02/2015

NOTES: (continued)

8. Laser cutting apertures with trapezoidal walls and rounded corners may offer better paste release. IPC-7525 may have alternate design recommendations.
9. Board assembly site may have different recommendations for stencil design.

## GENERIC PACKAGE VIEW

LP 3

TO-92 - 5.34 mm max height

TRANSISTOR OUTLINE



Images above are just a representation of the package family, actual package may vary.  
Refer to the product data sheet for package details.

4040001-2/F

LP0003A



# PACKAGE OUTLINE

TO-92 - 5.34 mm max height

TO-92



4215214/B 04/2017

## NOTES:

1. All linear dimensions are in millimeters. Any dimensions in parenthesis are for reference only. Dimensioning and tolerancing per ASME Y14.5M.
2. This drawing is subject to change without notice.
3. Lead dimensions are not controlled within this area.
4. Reference JEDEC TO-226, variation AA.
5. Shipping method:
  - a. Straight lead option available in bulk pack only.
  - b. Formed lead option available in tape and reel or ammo pack.
  - c. Specific products can be offered in limited combinations of shipping medium and lead options.
  - d. Consult product folder for more information on available options.



LAND PATTERN EXAMPLE  
STRAIGHT LEAD OPTION  
NON-SOLDER MASK DEFINED  
SCALE:15X



LAND PATTERN EXAMPLE  
FORMED LEAD OPTION  
NON-SOLDER MASK DEFINED  
SCALE:15X

# TAPE SPECIFICATIONS

LP0003A

TO-92 - 5.34 mm max height

TO-92



FOR FORMED LEAD OPTION PACKAGE

4215214/B 04/2017



## IMPORTANT NOTICE AND DISCLAIMER

TI PROVIDES TECHNICAL AND RELIABILITY DATA (INCLUDING DATA SHEETS), DESIGN RESOURCES (INCLUDING REFERENCE DESIGNS), APPLICATION OR OTHER DESIGN ADVICE, WEB TOOLS, SAFETY INFORMATION, AND OTHER RESOURCES "AS IS" AND WITH ALL FAULTS, AND DISCLAIMS ALL WARRANTIES, EXPRESS AND IMPLIED, INCLUDING WITHOUT LIMITATION ANY IMPLIED WARRANTIES OF MERCHANTABILITY, FITNESS FOR A PARTICULAR PURPOSE OR NON-INFRINGEMENT OF THIRD PARTY INTELLECTUAL PROPERTY RIGHTS.

These resources are intended for skilled developers designing with TI products. You are solely responsible for (1) selecting the appropriate TI products for your application, (2) designing, validating and testing your application, and (3) ensuring your application meets applicable standards, and any other safety, security, regulatory or other requirements.

These resources are subject to change without notice. TI grants you permission to use these resources only for development of an application that uses the TI products described in the resource. Other reproduction and display of these resources is prohibited. No license is granted to any other TI intellectual property right or to any third party intellectual property right. TI disclaims responsibility for, and you will fully indemnify TI and its representatives against, any claims, damages, costs, losses, and liabilities arising out of your use of these resources.

TI's products are provided subject to [TI's Terms of Sale](#) or other applicable terms available either on [ti.com](https://www.ti.com) or provided in conjunction with such TI products. TI's provision of these resources does not expand or otherwise alter TI's applicable warranties or warranty disclaimers for TI products.

TI objects to and rejects any additional or different terms you may have proposed.

Mailing Address: Texas Instruments, Post Office Box 655303, Dallas, Texas 75265  
Copyright © 2024, Texas Instruments Incorporated