

TMP4718 High-Accuracy Remote and Local Temperature Sensor with Pin-Programmable Alert Thresholds

1 Features

- Supply range: 1.62 V to 5.5 V
- Wide operating range: -40°C to 125°C
- Remote channel accuracy: 1°C
 - Resolution: 0.125°C
- Local channel accuracy: 1°C
 - Resolution: 1°C
- Support I²C and SMBus interface
- Low power consumption
- Remote diode fault detection
- Programmable digital filter
- Series resistance cancellation
- Programmable $\overline{\text{ALERT}}$ and $\overline{\text{T_CRIT}}$ limits
 - Fault queue for debounce
- Adjustable default power-up limits (high temperature) for $\overline{\text{ALERT}}$ and $\overline{\text{T_CRIT}}$
- 1.2-V logic compatible input thresholds independent of supply

2 Applications

- [Standard notebook PC](#)
- [Rack server motherboard](#)
- [Smart network interface card \(NIC\)](#)
- [Small cell base station](#)
- [Baseband unit \(BBU\)](#)
- [Software defined radio](#)
- FPGA Temperature Monitoring

3 Description

The TMP4718 is a high accuracy 1°C temperature sensor with one local integrated sensor and a remote temperature sensor input that can be connected to a diode-connected transistor, such as the popular MMBT3904 NPN transistor, to replace traditional thermistors or thermocouples. The remote input can also be connected to a substrate thermal transistor or diode integrated inside microprocessors, microcontrollers, or FPGAs to monitor the die temperature of the IC.

The TMP4718 supports I²C and SMBus communication with logic levels down to 0.8V regardless of main supply rail. This enables interoperability with low voltage 1.2V MCUs without needing a secondary low voltage supply. The TMP4718 includes the Series Resistance Cancellation feature to automatically eliminate temperature errors caused by series resistance of up to 1 k Ω , allowing for greater flexibility routing to thermal diodes. The programmable offset feature allows the device to report offset-adjusted temperature data based on pre-calibrated data in specific user environments. Measurements can be done automatically with programmable conversion period, or with one-shot conversion triggered by an I²C command.

The TMP4718A and TMP4718B offer the same function but different SMBus or I²C device addresses. This allows the system to support two sensors on the same bus.

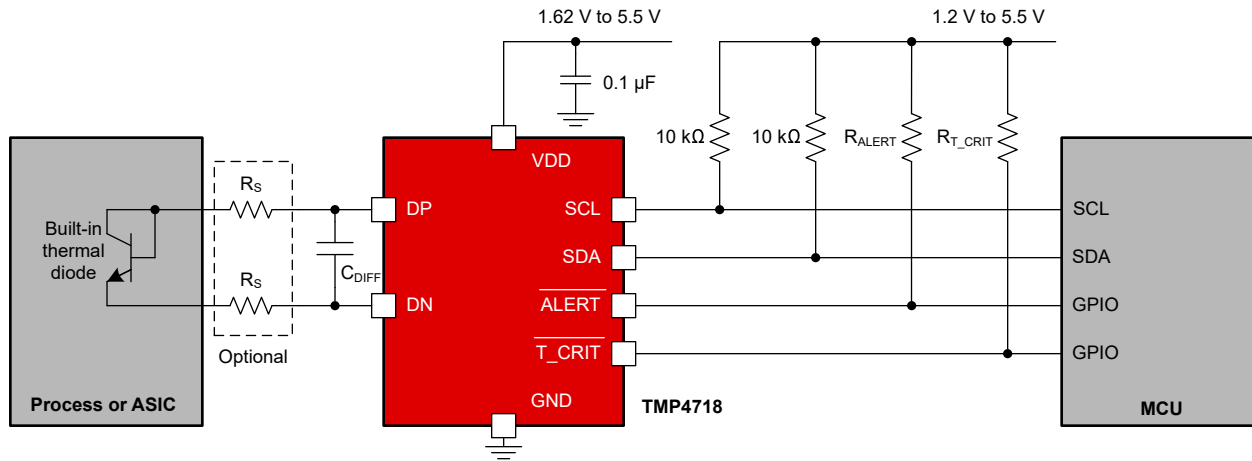
Package Information

PART NUMBER	PACKAGE ⁽¹⁾	PACKAGE SIZE ⁽²⁾
TMP4718	DGK (VSSOP, 8)	3.00 mm × 4.90 mm

(1) For all available packages, see the orderable addendum at the end of the data sheet.

(2) The package size (length × width) is a nominal value and includes pins, where applicable.





Simplified Block Diagram

Table of Contents

1 Features	1	8.3 Feature Description.....	12
2 Applications	1	8.4 Device Functional Modes.....	15
3 Description	1	8.5 Programming.....	20
4 Revision History	3	8.6 Register Map.....	26
5 Device Comparison	4	9 Application and Implementation	39
6 Pin Configuration and Functions	4	9.1 Application Information.....	39
7 Specifications	5	9.2 Typical Application.....	39
7.1 Absolute Maximum Ratings.....	5	9.3 Power Supply Recommendations.....	41
7.2 ESD Ratings.....	5	9.4 Layout.....	41
7.3 Recommended Operating Conditions.....	5	10 Device and Documentation Support	43
7.4 Thermal Information.....	5	10.1 Documentation Support.....	43
7.5 Electrical Characteristics.....	6	10.2 Receiving Notification of Documentation Updates..	43
7.6 I ² C Interface Timing.....	7	10.3 Support Resources.....	43
7.7 Timing Diagrams	8	10.4 Trademarks.....	43
7.8 Typical Characteristics.....	9	10.5 Electrostatic Discharge Caution.....	43
8 Detailed Description	11	10.6 Glossary.....	43
8.1 Overview.....	11	11 Mechanical, Packaging, and Orderable Information	43
8.2 Functional Block Diagram.....	11		

4 Revision History

NOTE: Page numbers for previous revisions may differ from page numbers in the current version.

Changes from Revision * (May 2023) to Revision A (September 2023)	Page
• Changed the data sheet status from Advanced Information to Production Data.....	1

5 Device Comparison

Table 5-1. Device Comparison

DEVICE	7-BIT I ² C ADDRESS	
	HEX	BINARY
TMP4718ADGKR	0x4C	1001100'b
TMP4718BDGKR	0x4D	1001101'b

6 Pin Configuration and Functions

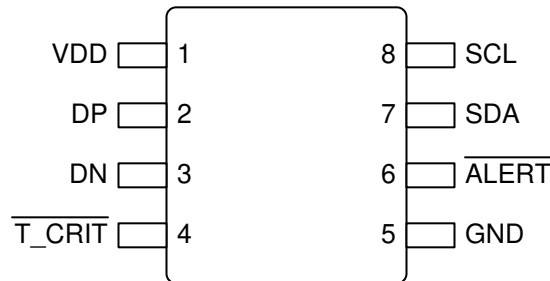


Figure 6-1. DGK Package 8-Pin VSSOP (Top View)

Pin Functions

PIN		I/O ⁽¹⁾	DESCRIPTION
NAME	DGK		
VDD	1	P	Supply Pin. Bypass to GND with a 0.1-μF capacitor.
DP	2	I/O	Positive connection to remote temperature sensors. Connect DP to DN if no remote diode is used. Place a 470-pF capacitor between DP and DN for noise filtering (if needed).
DN	3	I/O	Negative connection to remote temperature sensor. Connect DP to DN if no remote diode is used. Place a 470-pF capacitor between DP and DN for noise filtering (if needed).
T_CRIT	4	I/O	Open-drain critical temperature alert pin. A pullup resistor to VDD (or a separate bus) is required. The pullup resistor value is used to configure the default T_CRIT and ALERT high-temperature limits for the Remote and Local channels. See Adjustable Default T_CRIT High-Temperature Limit for more information.
GND	5	G	Ground connection
ALERT	6	I/O	Open-drain temperature alert pin. A pullup resistor to VDD (or a separate bus) is required. The pullup resistor value is used to configure the default T_CRIT and ALERT high-temperature limits for the Remote and Local channels. See Adjustable Default T_CRIT High-Temperature Limit for more information.
SDA	7	I/O	Open-drain serial data line. Requires a pullup resistor.
SCL	8	I	Open-drain serial clock Input line. Note I ² C clock stretching is not supported.

(1) I = Input, O = Output, I/O = Input or Output, G = Ground, P = Power.

7 Specifications

7.1 Absolute Maximum Ratings

Over free-air temperature range unless otherwise noted⁽¹⁾

		MIN	MAX	UNIT
Supply voltage	VDD	-0.3	6	V
I/O voltage	DP	-0.3	1.65	V
	DN	-0.3	0.3	V
	ALERT, T_CRIT, SCL, SDA	-0.3	6	V
I/O current	ALERT, T_CRIT, SDA	-10	10	mA
Operating junction temperature, T _J		-55	150	°C
Storage temperature, T _{stg}		-65	150	

- (1) Operation outside the Absolute Maximum Ratings may cause permanent device damage. Absolute Maximum Ratings do not imply functional operation of the device at these or any other conditions beyond those listed under Recommended Operating Conditions. If used outside the Recommended Operating Conditions but within the Absolute Maximum Ratings, the device may not be fully functional, and this may affect device reliability, functionality, performance, and shorten the device lifetime.

7.2 ESD Ratings

			VALUE	UNIT
V _(ESD)	Electrostatic discharge	Human-body model (HBM), per ANSI/ESDA/JEDEC JS-001 ⁽¹⁾	±2000	V
		Charged-device model (CDM), per ANSI/ESDA/JEDEC JS-002 ⁽²⁾	±500	

- (1) JEDEC document JEP155 states that 500-V HBM allows safe manufacturing with a standard ESD control process.
(2) JEDEC document JEP157 states that 250-V CDM allows safe manufacturing with a standard ESD control process.

7.3 Recommended Operating Conditions

		MIN	NOM	MAX	UNIT
V _{DD}	Supply voltage	1.62	3.3	5.5	V
V _{I/O}	DP	0		1.2	
	DN	0		0	
	ALERT, T_CRIT, SCL, SDA	0		5.5	
I _{I/O}	ALERT, T_CRIT, SDA			3	mA
T _A	Operating ambient temperature	-40		125	°C

7.4 Thermal Information

THERMAL METRIC ⁽¹⁾		TMP4718		UNIT
		DGK (VSSOP)		
		6 PINS		
R _{θJA}	Junction-to-ambient thermal resistance	185.7		°C/W
R _{θJC(top)}	Junction-to-case (top) thermal resistance	76.3		°C/W
R _{θJB}	Junction-to-board thermal resistance	107.5		°C/W
Ψ _{JT}	Junction-to-top characterization parameter	16.8		°C/W
Ψ _{JB}	Junction-to-board characterization parameter	105.9		°C/W

- (1) For more information about traditional and new thermal metrics, see the *Semiconductor and IC Package Thermal Metrics* application note, [SPRA953](#).

7.5 Electrical Characteristics

Over free-air temperature range and $V_{DD} = 1.62\text{ V}$ to 5.5 V (unless otherwise noted); Typical specifications are at $T_A = 25\text{ }^\circ\text{C}$ and $V_{DD} = 3.3\text{ V}$ (unless otherwise noted)

PARAMETER		TEST CONDITIONS		MIN	TYP	MAX	UNIT
TEMPERATURE SENSOR							
T_{ERR_L}	Local temperature accuracy	$T_A = -40^\circ\text{C}$ to 125°C		-1		1	$^\circ\text{C}$
T_{ERR_R}	Remote temperature accuracy (Optimized for MMBT3904 NPN Transistor)	$T_D = -10^\circ\text{C}$ to 85°C , $T_A = -10^\circ\text{C}$ to 85°C		-0.8		0.8	$^\circ\text{C}$
		$T_D = -55^\circ\text{C}$ to 125°C	$T_A = -10^\circ\text{C}$ to 85°C	-1.0		1.0	$^\circ\text{C}$
			$T_A = -40^\circ\text{C}$ to 125°C	-1.5		1.5	$^\circ\text{C}$
PSR	Supply Sensitivity on accuracy	Remote temperature sensor, one-shot mode, $V_{DD} = 1.62\text{ V}$ to 5.5 V			0.1		$^\circ\text{C}/\text{V}$
T_{RES_L}	Temperature resolution (local)	Including sign bit			8		Bits
		LSB			1		$^\circ\text{C}$
T_{RES_R}	Temperature resolution (remote)	Including sign bit			11		Bits
		LSB			0.125		$^\circ\text{C}$
T_{REPEAT}	Repeatability ⁽¹⁾	$V_{DD} = 3.3\text{ V}$, 1-Hz conversion cycle, no averaging			1		LSB
t_{RT}	Response time (Stirred Liquid, mounted on 2-layer 62-mil PCB)	$\tau = 63\%$ 25°C to 75°C	Local temperature sensor		1.5		s
		$\tau = 63\%$ 25°C to 75°C	Remote temperature sensor (MMBT3904 NPN Transistor)		0.5		s
V_{FMAX}	Maximum supported forward diode voltage					1.1	V
R_{SERIES}	Maximum supported series resistance on remote channel					1000	Ω
t_{CONV}	Conversion time	Local conversion only, one-shot mode		16	17.7	19.4	ms
		Remote conversion + local conversion, one-shot mode		32	34.3	37	ms
t_{VAR}	Timing variation	Conversion period		-10		10	%
DIGITAL INPUT/OUTPUT							
C_{IN}	Input capacitance	ALERT, T_CRIT , SCL, SDA	$f = 100\text{ kHz}$		5		pF
$C_{I/O}$	ALERT and T_CRIT pin capacitance for resistor detection					1	nF
R_{TOL}	ALERT and T_CRIT pullup resistor tolerance requirement			-1		1	%
V_{IH}	Input logic high level	SCL, SDA		0.9			V
V_{IL}	Input logic low level	SCL, SDA				0.4	V
I_{LI}	Input leakage current	ALERT, T_CRIT , SCL, SDA		-0.1		0.1	μA
I_{LO}	Output leakage current	ALERT, T_CRIT , SDA		-0.1		0.1	μA
V_{OL}	Output low level	ALERT, T_CRIT , SDA, $I_{OL} = 3\text{ mA}$				0.4	V
POWER SUPPLY							
$I_{DD_ACTI_VE}$	Active conversion current	$T_A = -40^\circ\text{C}$ to 125°C Serial bus inactive	Local sensor		100	150	μA
			Remote sensor		220	320	μA
I_{DD_AVG}	Average current consumption	Serial bus inactive, continuous conversion	Conversion period = 2 s		4.5		μA
			Conversion period = 0.125 s		45		μA
I_{DD_SB}	Standby current ⁽²⁾	Serial bus inactive	$T_A = 25^\circ\text{C}$		1	1.5	μA
			$T_A = -40^\circ\text{C}$ to 125°C			5.5	μA

Over free-air temperature range and $V_{DD} = 1.62\text{ V to }5.5\text{ V}$ (unless otherwise noted); Typical specifications are at $T_A = 25\text{ }^\circ\text{C}$ and $V_{DD} = 3.3\text{ V}$ (unless otherwise noted)

PARAMETER		TEST CONDITIONS		MIN	TYP	MAX	UNIT
I_{DD_SD}	Shutdown current	Serial bus inactive	$T_A = 25^\circ\text{C}$	0.5	0.8		μA
			$T_A = -40^\circ\text{C to }125^\circ\text{C}$			5	μA
		Serial bus active. $f_s = 400\text{ kHz}$			6.9		μA
		Serial bus active. $f_s = 1\text{ MHz}$			15.2		μA
V_{POR}	Power-on reset threshold voltage	Supply rising			1.2	1.4	V
	Brownout detect	Supply falling		1.0	1.1		V
t_{POR}	Device initialization time ⁽³⁾					35	ms

- (1) Repeatability is the ability to reproduce a reading when the measured temperature is applied consecutively, under the same conditions.
- (2) Quiescent current between conversions in continuous conversion mode
- (3) Refer to [Device Initialization, Resistor Decoding, and Default Temperature Conversion](#) for additional details

7.6 I²C Interface Timing

minimum and maximum specifications are over $-40\text{ }^\circ\text{C to }125\text{ }^\circ\text{C}$ and $V_{DD} = 1.62\text{ V to }5.5\text{ V}$ (unless otherwise noted)⁽¹⁾

		STANDARD MODE		FAST MODE		FAST MODE PLUS		UNIT
		MIN	MAX	MIN	MAX	MIN	MAX	
$f_{(SCL)}$	SCL operating frequency ⁽²⁾	1	100	1	400	1	1000	kHz
$t_{(BUF)}$	Bus-free time between STOP and START conditions	4.7	–	1.3	–	0.5	–	μs
$t_{(SUSTA)}$	Repeated START condition setup time	4.7	–	0.6	–	0.26	–	μs
$t_{(HDSTA)}$	Hold time after repeated START condition. After this period, the first clock is generated.	4.0	–	0.6	–	0.26	–	μs
$t_{(SUSTO)}$	STOP condition setup time	4.0	–	0.6	–	0.26	–	μs
$t_{(HDDAT)}$	Data hold time ⁽³⁾	0	3450	0	900	0	150	ns
$t_{(SUDAT)}$	Data setup time	250	–	100	–	50	–	ns
$t_{(LOW)}$	SCL clock low period	4.7	–	1.3	–	0.5	–	μs
$t_{(HIGH)}$	SCL clock high period	4.0	–	0.6	–	0.26	–	μs
$t_{(VDAT)}$	Data valid time (data response time) ⁽⁴⁾	–	3.45	–	0.9	–	0.45	μs
t_R	Clock and data rise time	–	1000	20	300	–	120	ns
t_F	Clock and fall time	–	300	$20 \times (V_{DD} / 5.5\text{ V})$	300	$20 \times (V_{DD} / 5.5\text{ V})$	120	ns
t_{timeout}	Timeout (SCL = GND)	20	30	20	30	20	30	ms

- (1) The controller and target have the same I/O supply value. Values are based on statistical analysis of samples tested during initial release.
- (2) The TMP4718 is equipped with a 50-ns spike filter on both SCL and SDA lines. The filter allows the device to be used alongside I3C devices without impacting the communication.
- (3) The maximum $t_{(HDDAT)}$ can be 3.45 μs and 0.9 μs for Standard Mode and Fast Mode, but must be less than the maximum of $t_{(VDAT)}$ by a transition time.
- (4) $t_{(VDAT)}$ = time for data signal from SCL LOW to SDA output (HIGH to LOW, depending on which is worse).

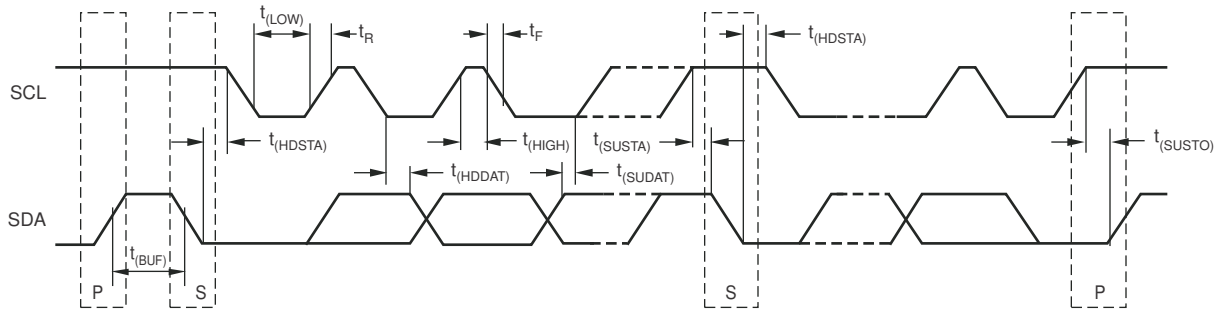
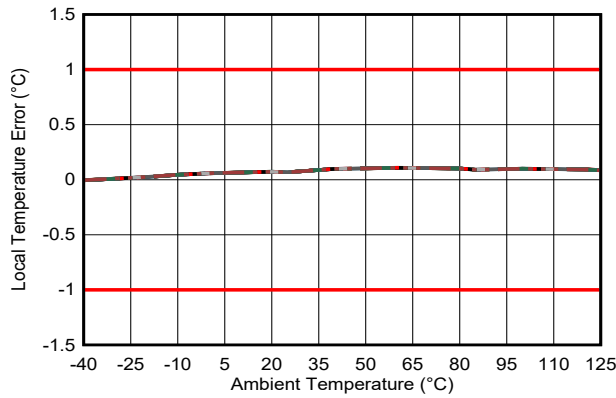


Figure 7-1. Two-Wire Timing Diagram

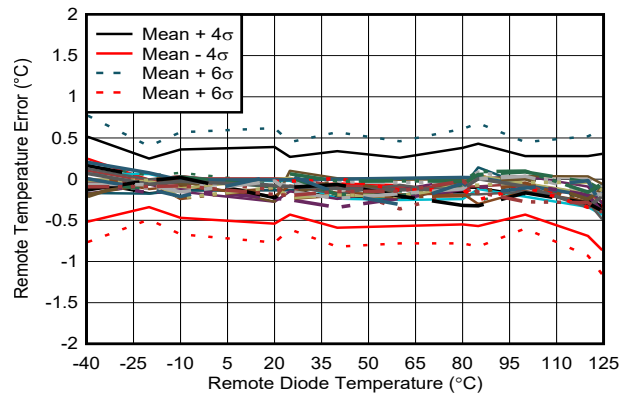
7.8 Typical Characteristics

at $T_A = 25^\circ\text{C}$ and $V_{DD} = 3.3\text{ V}$ (unless otherwise noted)



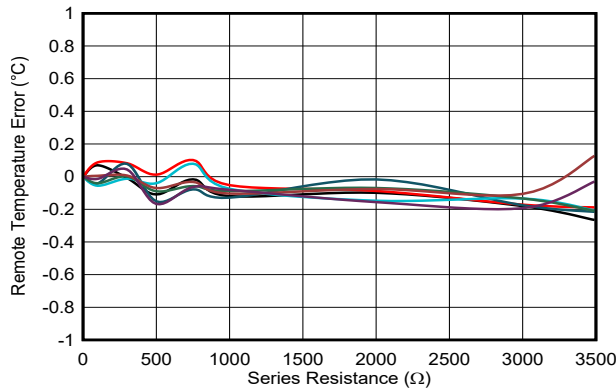
$V_{DD} = 1.62\text{ V to }5.5\text{ V}$

Figure 7-2. Local Temperature Error vs Temperature



Characterized with MMBT3904 NPN Transistor; $T_A = 25^\circ\text{C}$; 30 units

Figure 7-3. Remote Temperature Error vs Temperature



Characterized with MMBT3904 NPN Transistor; 7 units

Figure 7-4. Remote Temperature Error vs Series Resistance

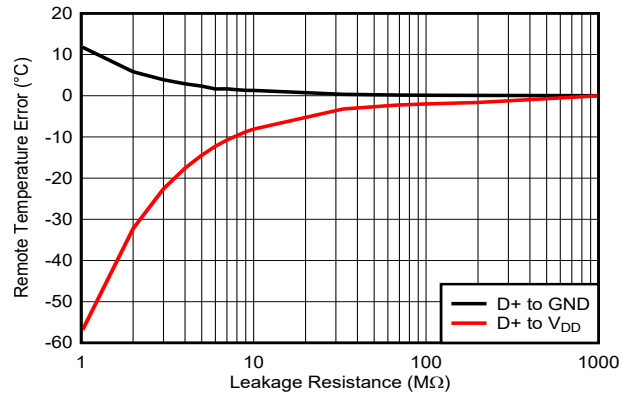
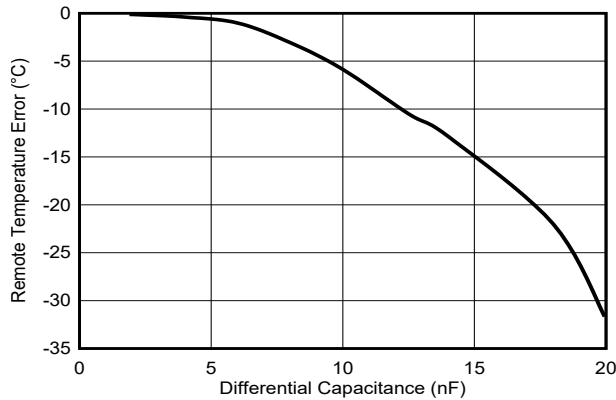
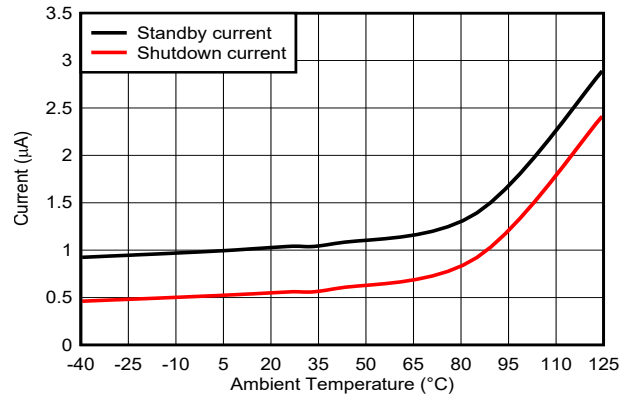


Figure 7-5. Remote Temperature Error vs Diode Parallel Leakage Resistance



Characterized with MMBT3904 NPN Transistor

Figure 7-6. Remote Temperature Error vs Differential Capacitance

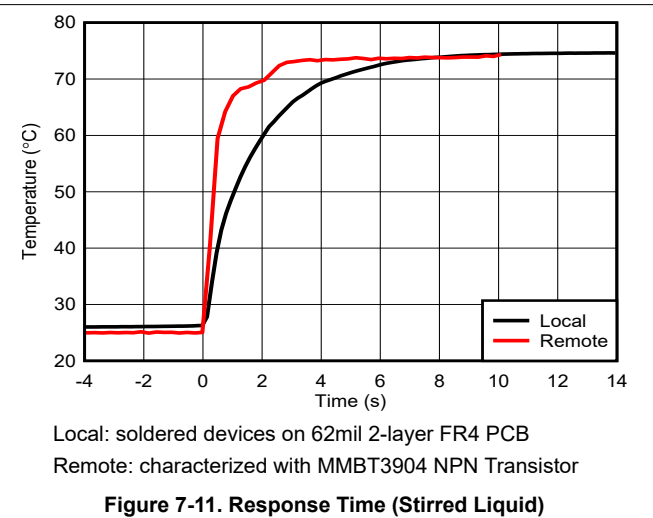
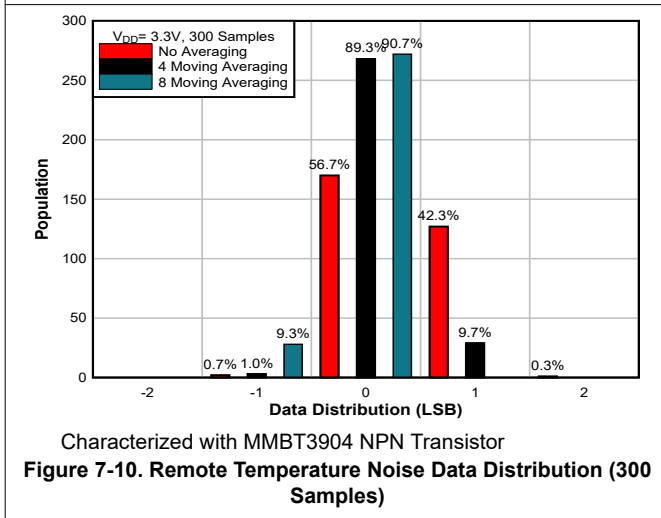
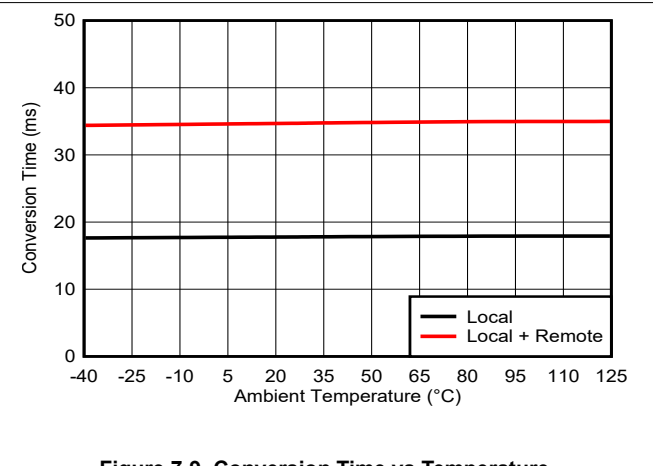
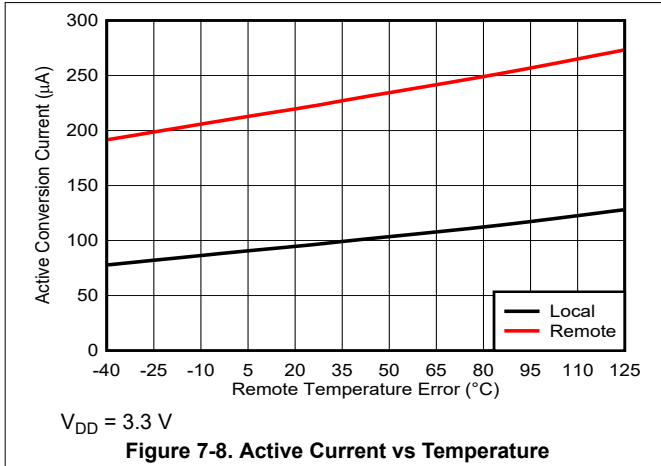


$V_{DD} = 3.3\text{ V}$

Figure 7-7. Standby and Shutdown Current vs Temperature

7.8 Typical Characteristics (continued)

at $T_A = 25^\circ\text{C}$ and $V_{DD} = 3.3\text{ V}$ (unless otherwise noted)



8.3 Feature Description

8.3.1 1.2-V Logic Compatible Inputs

The device includes static input thresholds independent of supply to maintain compatibility with a 1.2-V logic I²C or SMBus. This removes the need for a translator when operating with a bus voltage different from the supply voltage of the device.

8.3.2 Series Resistance Cancellation

Series resistance cancellation automatically eliminates the temperature error caused by the resistance of the routing to the remote transistor or by the resistors of the optional external low-pass filter. A total of up to 1 k Ω of series resistance can be canceled by the device, thus eliminating the need for additional characterization and temperature offset correction.

8.3.3 Device Initialization, Resistor Decoding, and Default Temperature Conversion

When V_{DD} goes above V_{POR} (power-on reset threshold), the device initiates the power-on reset (POR) sequence and starts loading default configuration settings into the device from the memory. After the device initialization is complete, the device starts the [ALERT and T_CRIT pin resistors decoding](#) sequence and loads the $\overline{T_CRIT}$ high temperature limit decoded into the device. The device then starts default local and remote temperature conversion. The converted result and corresponding output (\overline{ALERT} or $\overline{T_CRIT}$) is asserted if the corresponding limit is crossed.

The device initialization, resistor decoding, and default conversion takes approximately 200 ms. During device initialization, the supply voltage V_{DD} shall be hold stable and above V_{POR} (falling) to avoid any device misbehavior. During resistor decoding, the resistor pullup voltage shall also be kept stable to prevent wrong threshold from getting decoded. [Figure 8-2](#) depicts the details timing sequence for the device initialization and default temperature conversion.

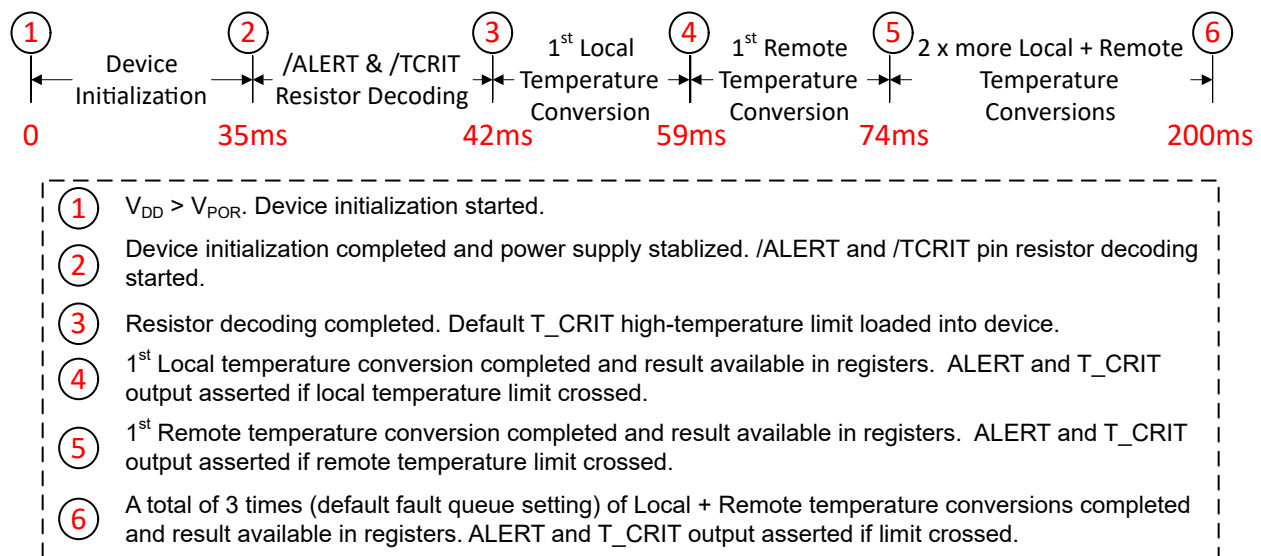


Figure 8-2. Device Initialization, Resistor Decoding, and Default Temperature Conversion Timing

8.3.4 Adjustable Default $\overline{T_CRIT}$ High-Temperature Limit

The default Remote and Local $\overline{T_CRIT}$ high-temperature limits are adjustable with the use of pullup resistors on the ALERT and $\overline{T_CRIT}$ pins. The values of the resistors are decoded within the first 50 ms after device power-up, after which the device sets the Remote and Local $\overline{T_CRIT}$ high-temperature limits. [Table 8-1](#) shows the values of each limit. Note the following rules when choosing the resistors:

1. The value of the pullup resistors must be within 1% of the nominal value specified in the table below for proper decoding.

2. If no pullup resistor is connected, the decoded resistance value is the highest resistance value from the table (that is, 18.7 kΩ).
3. If the pin is grounded, the decoded resistance value is the lowest resistance value from the table (that is, 2 kΩ).
4. The $\overline{\text{ALERT}}$ and $\overline{\text{T_CRIT}}$ pins can share the same pullup resistor, resulting one of the five $\overline{\text{T_CRIT}}$ limits (77°C, 89°C, 101°C, 113°C or 125°C) to be stored in the device.
5. The resistor decoding scheme functions regardless of the pullup voltage on the pins.
6. The decoded threshold value can be overwritten by writing desired values into the [THigh_Crit_Remote](#) and [THigh_Crit_Local](#) registers.

Table 8-1. $\overline{\text{T_CRIT}}$ High-Temperature Limits

$\overline{\text{T_CRIT}}$ LIMIT (°C)		$\overline{\text{T_CRIT}}$ PIN PULLUP RESISTOR VALUE				
		<2 kΩ	7.5 kΩ	10.5 kΩ	14 kΩ	>18.7 kΩ
$\overline{\text{ALERT}}$ pin pullup resistor value	<2 kΩ	77°C	87°C	97°C	107°C	117°C
	7.5 kΩ	79°C	89°C	99°C	109°C	119°C
	10.5 kΩ	81°C	91°C	101°C	111°C	121°C
	14 kΩ	83°C	93°C	103°C	113°C	123°C
	>18.7 kΩ	85°C	95°C	105°C	115°C	125°C

8.3.5 $\overline{\text{ALERT}}$ and $\overline{\text{T_CRIT}}$ Output

The TMP4718 $\overline{\text{ALERT}}$ and $\overline{\text{T_CRIT}}$ pins are active-low open drain outputs. The $\overline{\text{ALERT}}$ pin is asserted at the end of a conversion cycle when the measured temperature exceeds a High Alert Limit or goes below a Low Alert Limit. The $\overline{\text{T_CRIT}}$ pin is asserted at the end of a conversion cycle when the measured temperature exceeds the $\overline{\text{T_CRIT}}$ limit defined in the limit register. The $\overline{\text{ALERT}}$ and $\overline{\text{T_CRIT}}$ pins can be used to notify the system of overtemperature or undertemperature conditions and protect from thermally induced system damages. Note the $\overline{\text{ALERT}}$ and $\overline{\text{T_CRIT}}$ outputs are activated only when the corresponding bits are configured in the Alert_Mask register.

8.3.6 Fault Queue

The device includes a fault queue feature. When enable in the register settings, the $\overline{\text{ALERT}}$ and $\overline{\text{T_CRIT}}$ will only be generated if there are three consecutive temperature conversion results beyond the limits. When this feature is disabled, only one temperature conversion result beyond the limits will generate an $\overline{\text{ALERT}}$ or $\overline{\text{T_CRIT}}$ warning.

This feature only applies to the remote channel and will have no effect on the local channel. The fault queue is enabled upon device POR (that is, three successive temperature results beyond the limits triggers an $\overline{\text{ALERT}}$ or $\overline{\text{T_CRIT}}$ warning).

8.3.7 Filtering

Remote junction temperature sensors are usually implemented in a noisy environment. Noise is most often created by fast digital signals that can corrupt measurements. A digital filter is available for the remote temperature measurements to reduce the effect of noise. This filter is programmable and has two levels when enabled. Level 1 performs a moving average of four consecutive samples. Level 2 performs a moving average of eight consecutive samples. The output of the digital filter is stored in the remote temperature result register, and the temperature limits are compared to this value. The filter responses to impulse and step inputs are shown in [Figure 8-3](#) and [Figure 8-4](#), respectively. The filter can be enabled or disabled by programming the desired levels in register settings. The digital filter is disabled by default.

The averages are cleared after the filter is set to 00h. Filtering can be used with both continuous conversions or one-shot conversions.

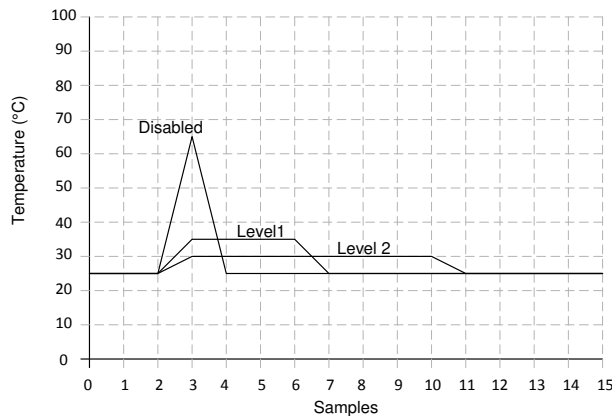


Figure 8-3. Filter Response to Impulse Inputs

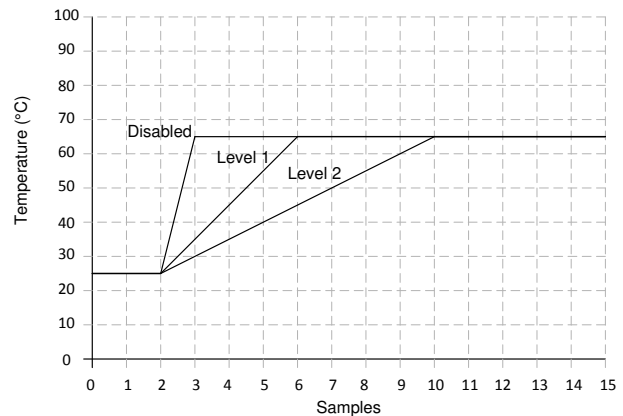


Figure 8-4. Filter Response to Step Inputs

In addition to the built-in digital filter of the device, TI recommends the user add an external capacitor between DP and DN pin on the remote channel. The capacitor acts as a bypass filter to help reduce high-frequency EMI noise when the device is operating in a noisy environment. The recommended optimal value for the capacitor is 470 pF and the value should not exceed 3 nF to allow proper operation of the temperature sensor.

8.3.8 One-Shot Conversions

Users can write any data to the one-shot register to trigger a manual single one-shot conversion. This allows for greater control of the device and flexibility of system implementation. This feature is only available in shutdown mode and writes to the one-shot register will have no effect in continuous conversion mode. For best performance in one shot mode, TI recommends to have the communication bus idle during temperature conversion (within t_{CONV} after a conversion is triggered).

8.4 Device Functional Modes

The device can be configured to operate in different modes of operation through the configuration register or the filter and alert mode register.

8.4.1 Interrupt and Comparator Mode

The $\overline{\text{ALERT}}$ pin of the device can be programmed into two different $\overline{\text{ALERT}}$ output modes. In the interrupt mode, the device will assert the $\overline{\text{ALERT}}$ pin if the temperature exceeds the limits set by the temperature limit registers. After the Alert Status is read and interrupt bits cleared, the $\overline{\text{ALERT}}$ pin is deasserted. In Comparator Mode, the device will assert the $\overline{\text{ALERT}}$ pin if the measured temperature exceeds the limits and clear when the temperature returns below the limits.

8.4.1.1 Interrupt Mode

When bit 0 of the Remote Diode Temperature Filter and Alert Mode Setting register is set to 0, the Alert Mode is set to Interrupt mode. In this mode, the $\overline{\text{ALERT}}$ pin is asserted at the end of a conversion cycle if the measured temperature exceeds a High Alert Limit or goes below a Low Alert Limit defined in the limit registers. In this mode, the TMP4718 will set the $\overline{\text{ALERT}}$ mask bit of the Configuration Register during a read of the Status Register if any flag in Status Register, except the ADC_Busy flag and Remote Diode Open flag, is set. This prevents the $\overline{\text{ALERT}}$ pin from triggering until the controller has reset the ALERT mask bit (write 0 to Alert_MSK bit).

The ALERT High Status flags will set at the end of a conversion cycle when the measured temperature exceeds a High Alert Limit register limit. There are separate High Limit values and status register flags for the remote and local temperature measurements. The status register flags will only set to their respective temperature measurements.

The Remote $\overline{\text{ALERT}}$ Low Status flag will set at the end of a conversion cycle when the measured remote temperature is below the Remote Low Alert Limit register limit.

The Status Register limit flags are cleared after a read command of the Status Register from the controller and will be set again at the end of a proceeding temperature conversion cycle if the measured temperature is outside the set limits.

Figure 8-5 shows the behavior of the ALERT pin and flags while in Interrupt mode.

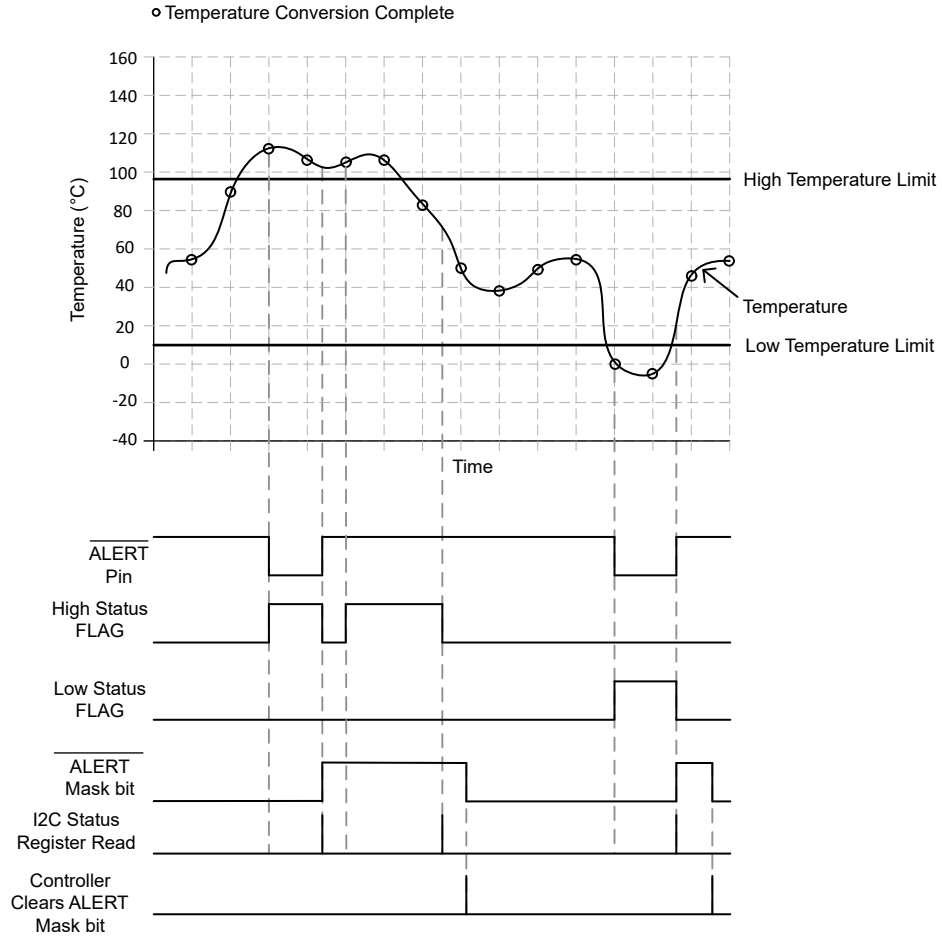


Figure 8-5. Alert Interrupt Mode Timing Diagram

8.4.1.2 Comparator Mode

When bit 0 of the Remote Diode Temperature Filter and Alert Mode Setting register is set to 1, the Alert Mode is set to Comparator mode. In this mode, the $\overline{\text{ALERT}}$ pin is asserted at the end of a conversion cycle if the measured temperature exceeds a High Alert Limit or goes below a Low Alert Limit defined in the limit registers. The $\overline{\text{ALERT}}$ pin deasserts at the end of proceeding conversion cycle if the measured temperature is equal to or below a High Alert limit and equal to or above a Low Alert limit defined in the limit registers.

The $\overline{\text{ALERT}}$ High Status flags will set at the end of a conversion cycle when the measured temperature exceeds a High Alert Limit register limit and clear at the end of a conversion cycle when the measured temperature is equal to or below the High Limit value. There are separate High Limit values and status register flags for the remote and local temperature measurements. The status register flags will only set or clear to the respective temperature measurements.

The Remote $\overline{\text{ALERT}}$ Low Status flag will set at the end of a conversion cycle when the measured temperature is below the Remote Low Alert Limit register limit and will clear at the end of a conversion cycle when the measured remote temperature is equal to or above the low Limit value.

Figure 8-6 shows the behavior of the $\overline{\text{ALERT}}$ pin and flags while in Comparator mode.

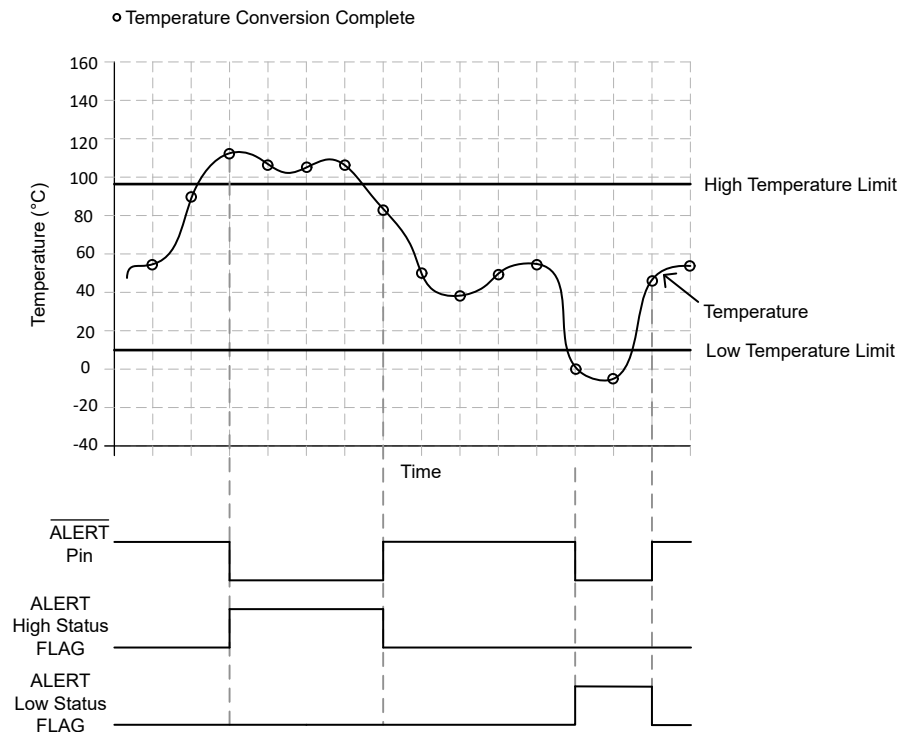


Figure 8-6. Alert Comparator Mode Timing Diagram

8.4.1.3 $\overline{\text{T_CRIT}}$ Output

The TMP4718 $\overline{\text{T_CRIT}}$ pin is an active-low, open-drain output which is asserted at the end of a conversion cycle when the measured temperature exceeds a $\overline{\text{T_CRIT}}$ Limit defined in the $\overline{\text{T_CRIT}}$ limit registers. The $\overline{\text{T_CRIT}}$ pin deasserts at the end of a conversion cycle if the temperature measurement is less than the $\overline{\text{T_CRIT}}$ limit – $\overline{\text{T_CRIT}}$ Hysteresis. The $\overline{\text{T_CRIT}}$ Hysteresis is set in the $\overline{\text{T_CRIT}}$ Hysteresis register. A $\overline{\text{T_CRIT}}$ Status register flag is set at the end of a conversion cycle when the measured temperature exceeds a $\overline{\text{T_CRIT}}$ Limit. When the TMP4718 is set in interrupt mode, the status register flag is cleared by reading the status register. Reading the status register will set the $\overline{\text{ALERT}}$ mask bit of the Configuration Register. The $\overline{\text{ALERT}}$ mask bit does not mask the $\overline{\text{T_CRIT}}$ pin. The status register flag will continue to set after the end of a conversion cycle until the temperature measurement is below the $\overline{\text{T_CRIT}}$ limit – $\overline{\text{T_CRIT}}$ Hysteresis value or the device is reset. There are separate $\overline{\text{T_CRIT}}$ Limit values and status register flags for the remote and local temperature measurements.

Figure 8-7 shows the behavior of the $\overline{T_CRIT}$ pin and flags in interrupt mode.

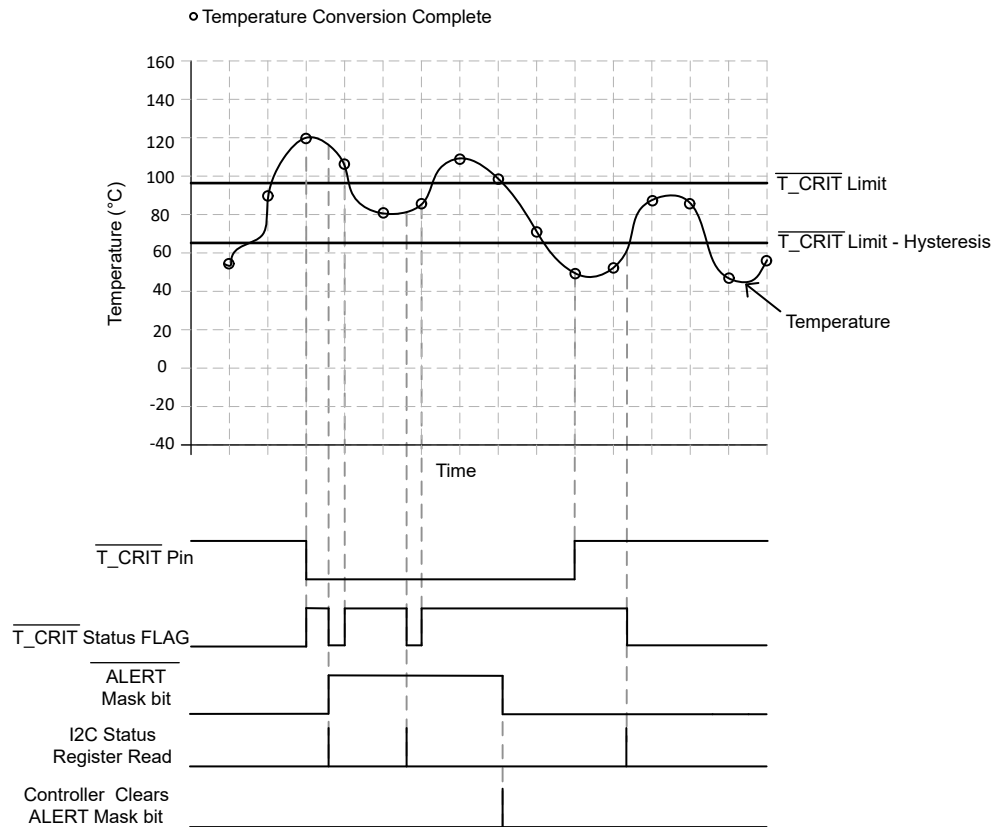


Figure 8-7. $\overline{T_CRIT}$ Output Timing Diagram-Interrupt Mode

When the TMP4718 is in comparator the status register flag is only cleared at the end of a conversion cycle if temperature measurement is below the $\overline{T_CRIT}$ limit – $\overline{T_CRIT}$ Hysteresis value. The \overline{ALERT} mask bit does not set after reading the status register in comparator mode. Figure 8-8 shows the behavior of the $\overline{T_CRIT}$ pin and flags in comparator mode.

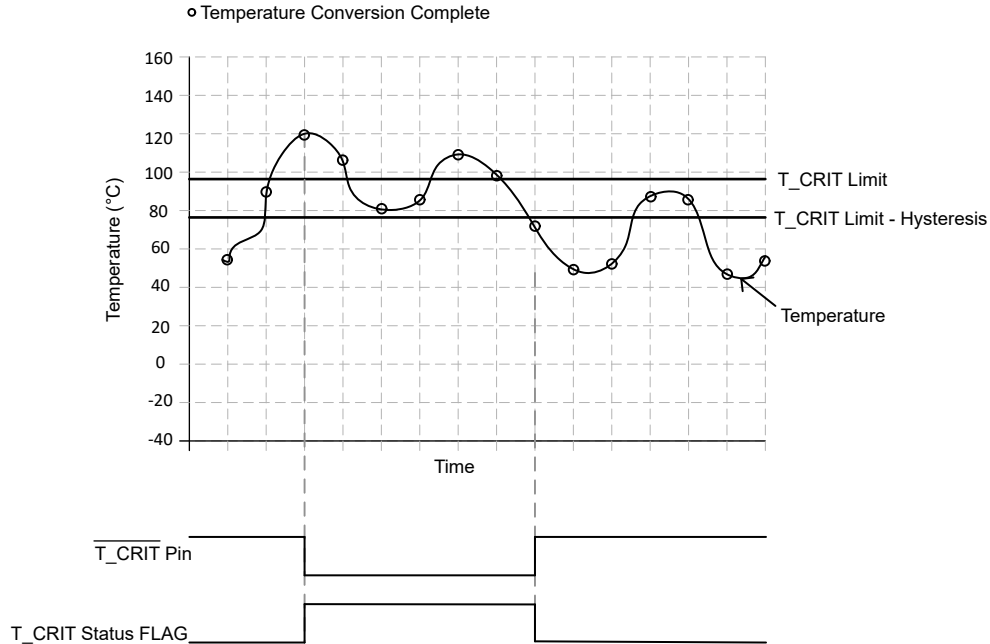


Figure 8-8. $\overline{T_CRIT}$ Output Timing Diagram-Comparator Mode

8.4.2 Shutdown Mode

When the Mode bit is set to 1 in the Configuration register, the device immediately enters the low-power shutdown mode. If the device is making a temperature conversion, the device will stop the conversion and discard the partial result. In this mode, the device powers down all active circuitry and can be used in conjunction with the One_Shot bit to perform temperature conversions. Engineers can use the device for battery-operated systems and other low-power consumption applications because the device typically only consumes 0.5 μA in Shutdown Mode.

Entering Shutdown Mode will not clear any active Alerts and will not deassert the \overline{ALERT} or $\overline{T_CRIT}$ pins.

8.4.3 Continuous Conversion Mode

When the Mode bit is set to 0 in the Configuration register, the device operates in continuous conversion mode. The device continuously performs temperature conversions in this mode. The device does not wait until the end of the conversion period to update the temperature, instead the temperature result register is updated at the end of the temperature conversion. While the ADC is converting, the ADC_Busy bit is set to 1 in the Alert Status register.

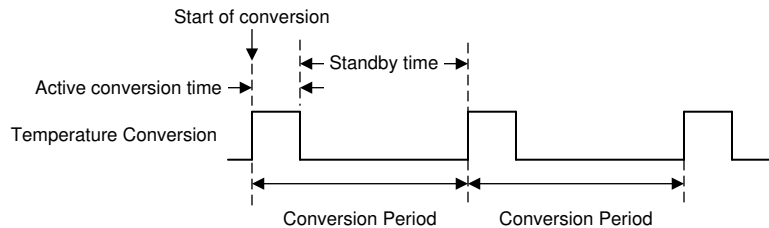


Figure 8-9. Conversion Period Timing Diagram

8.5 Programming

8.5.1 Temperature Data Format

Local Temperature data is represented by a 8-bit, two's complement word with an LSB (Least Significant Bit) equal to 1°C.

Table 8-2. Local Temperature Data Format

TEMPERATURE	DIGITAL OUTPUT	
	BINARY	HEX
127°C	0111 1111	7F
25°C	0001 1001	19
2°C	0000 0010	02
1°C	0000 0001	01
0°C	0000 0000	00
-1°C	1111 1110	FE
-2°C	1111 1101	FD
-25°C	1110 0110	E6
-128°C	1000 0000	80

Remote Temperature data is represented by an 11-bit, two's complement word with an LSB (Least Significant Bit) equal to 0.125°C.

Table 8-3. Remote Temperature Data Format

TEMPERATURE	DIGITAL OUTPUT	
	BINARY	HEX
127.875°C	0111 1111 1110 0000	7FE0
25.750°C	0001 1001 1100 0000	19C0
2.250°C	0000 0010 0100 0000	0240
1.125°C	0000 0001 0010 0000	0120
0°C	0000 0000 0000 0000	0000
-1.125°C	1111 1110 1110 0000	FEE0
-2.250°C	1111 1101 1100 0000	FDC0
-25.750°C	1110 0110 0100 0000	E640
-127.875°C	1000 0000 0010 0000	8020

8.5.2 I²C and SMBus Interface

The TMP4718 has a standard bidirectional I²C interface that can be configured or read by a controller. Each target on the I²C bus has a specific device address to differentiate between other target devices that are on the same I²C bus. Many target devices require configuration upon start-up to set the behavior of the device. This is typically done when the controller accesses internal register maps of the target, which have unique register addresses. A device can have one or multiple registers where data is stored, written, or read. The TMP4718 includes 50-ns glitch suppression filters, allowing the device to coexist on I3C mixed bus.

The physical I²C interface consists of the serial clock (SCL) and serial data (SDA) lines. Both SDA and SCL lines must be connected to a supply through a pullup resistor. The size of the pullup resistor is determined by the amount of capacitance on the I²C lines. See also the [I2C Bus Pullup Resistor Calculation application note](#). Data transfer may be initiated only when the bus is idle. A bus is considered idle if both SDA and SCL lines are high after a STOP condition (see [Figure 8-10](#) and [Figure 8-11](#)). See the [Writes](#) and [Reads](#) sections for detail procedures on how the controller can access the TMP4718.

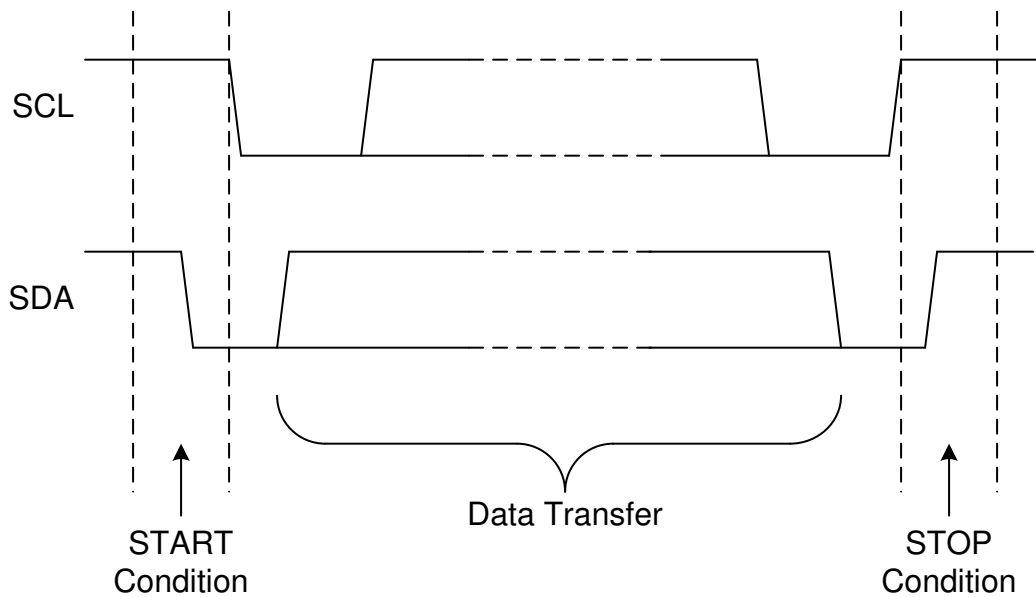


Figure 8-10. Definition of Start and Stop Conditions

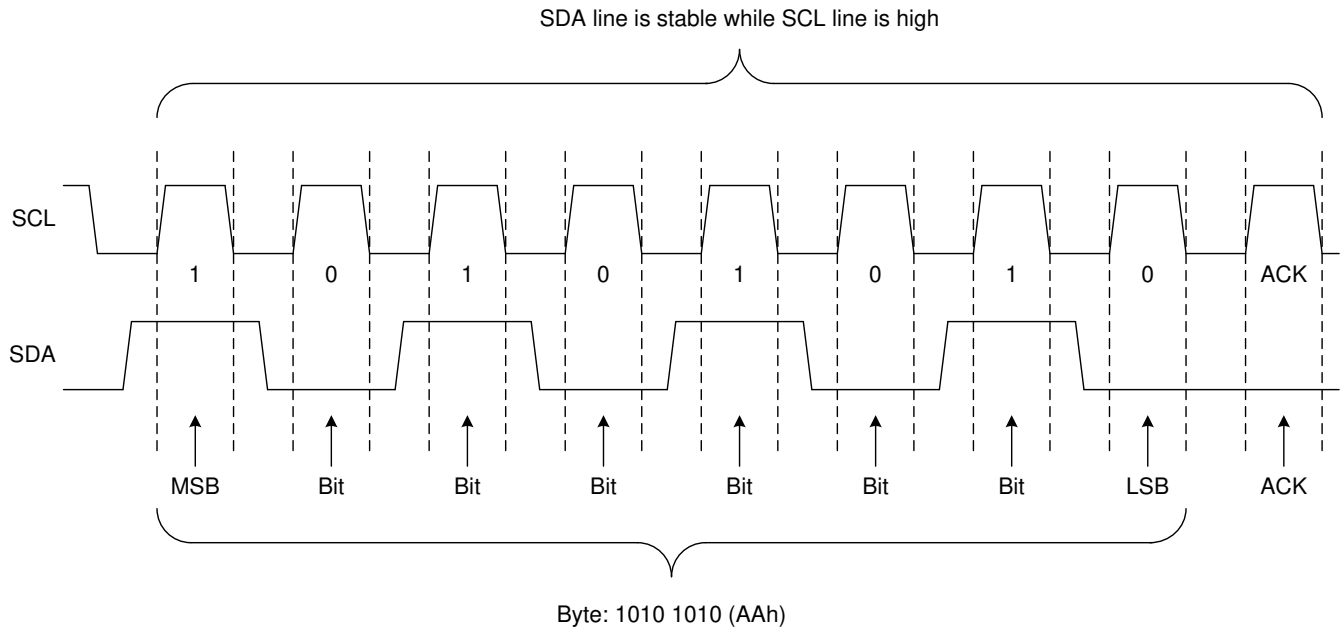


Figure 8-11. Bit Transfer

8.5.3 Device Address

To communicate with the TMP4718, the controller must first address the target device through an address byte. The address byte has seven address bits and a read-write (R/W) bit that indicates the intent of executing a read or write operation. The TMP4718 offers two different target addresses based on the two different device part numbers shown below.

DEVICE	7-BIT I ² C ADDRESS	
	HEX	BINARY
TMP4718ADGKR	0x4C	1001100'b
TMP4718BDGKR	0x4D	1001101'b

8.5.4 Bus Transactions

Registers are locations in the memory of the target which contain information, whether it be the configuration information or some sampled data to send back to the controller. The controller must write information to these registers in order to instruct the target device to perform a task.

The TMP4718 includes a timeout feature that will automatically reset the I²C state machine after the SCL line is held low for 30 ms. After the timeout the TMP4718 will wait for a new start condition to respond to I²C communication.

8.5.4.1 Writes

To write on the I²C bus, the controller sends a START condition on the bus with the address of the target, as well as the last bit (the R/W bit) set to 0, which signifies a write. The target acknowledges, letting the controller know it is ready. After this, the controller starts sending the register pointer followed by the register data to the target. The controller terminates the transmission with a STOP condition.

Writes to read-only registers or register locations outside of the register map will be ignored and the TMP4718 will NACK the data the controller tries to send.

Figure 8-12 shows an example of writing a single byte write communication. TMP4718 does not support multiple byte writes.

- Controller controls SDA line
- Target controls SDA line

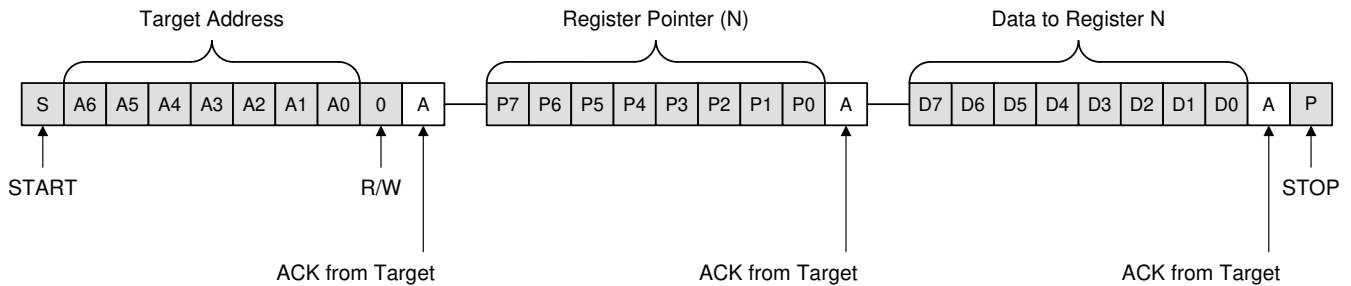


Figure 8-12. Write to Single Register

8.5.4.2 Reads

For a read operation, the controller sends a START condition followed by the target address with the R/W bit set to 0 (signifying a write). The target acknowledges the write request, and the controller sends the Register Pointer. After the Register Pointer, the host will initiate a restart followed by the target address with the R/W bit set to 1 (signifying a read). The controller will continue to send out clock pulses but releases the SDA line so that the target can transmit data. At the end of every byte of data, the controller sends an ACK to the target, letting the target know that the controller is ready for more data. Figure 8-13 shows an example of reading a single byte from a target register. The TMP4718 does not support multiple register reads with a single transaction.

If repeated reads from the same register are desired, the pointer register bytes do not have to be continually sent, as shown in Figure 8-14. The TMP4718 remembers the pointer register value until the value is changed by the next write operation. Note after the device POR, the pointer address is defaulted to 0h. Therefore, the controller can read (and re-read) the `Temp_Local` register content without setting the pointer value.

- Controller controls SDA line
- Target controls SDA line

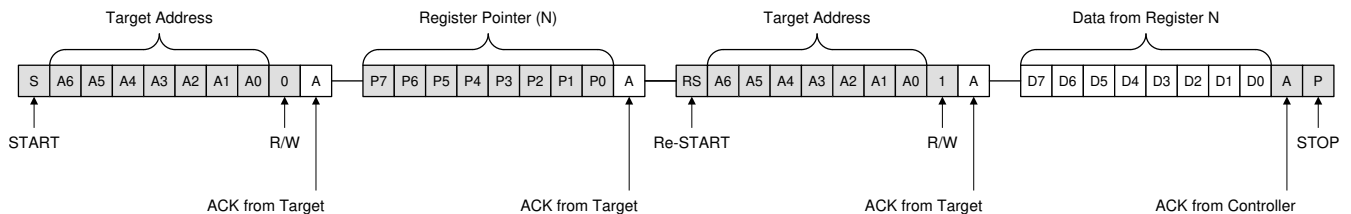


Figure 8-13. Read from Single Register

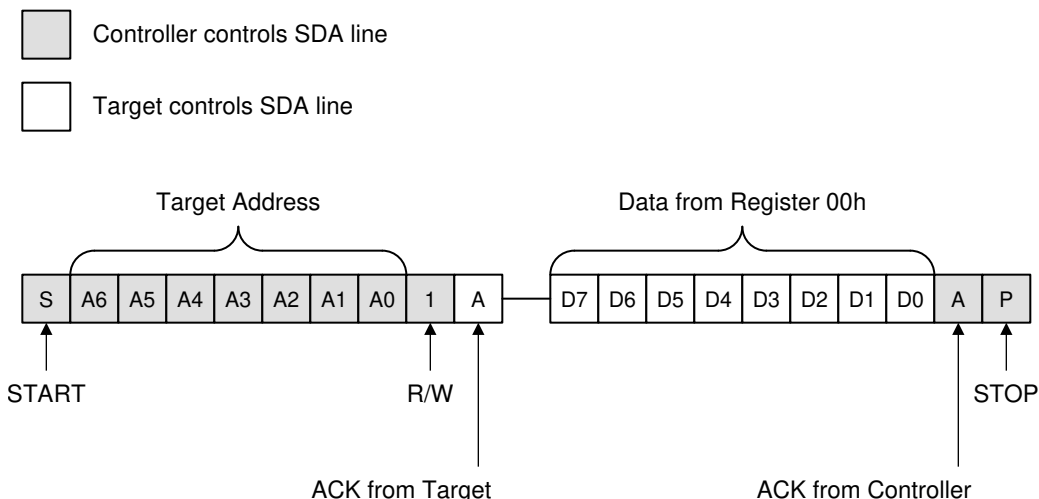


Figure 8-14. Repeated Read from Single Register

8.5.5 SMBus Alert Mode

When bit 0 of the [Filter_Alert_Mode Register](#) is set to 0, the Interrupt/ SMBus Alert mode is enabled. In this mode, the $\overline{\text{ALERT}}$ pin is asserted at the end of a conversion cycle if the measured temperature exceeds a High Alert Limit or goes below a Low Alert Limit defined in the limit registers. In this mode, the TMP4718 sets the $\overline{\text{ALERT}}$ mask bit of the Configuration Register during a read of the Status Register if any flag in Status Register, except the ADC_Busy flag and Remote Diode Open flag, is set. This prevents the $\overline{\text{ALERT}}$ pin from triggering until the controller resets the $\overline{\text{ALERT}}$ mask bit (write 0 to Alert_MSK bit).

The $\overline{\text{ALERT}}$ High Status flags set at the end of a conversion cycle when the measured temperature exceeds a High Alert Limit register limit. There are separate High Limit values and status register flags for the remote and local temperature measurements. The status register flags will only set to their respective temperature measurements.

The Remote $\overline{\text{ALERT}}$ Low Status flag sets at the end of a conversion cycle when the measured remote temperature is below the Remote Low Alert Limit register limit.

The Status Register limit flags are cleared after a read command of the Status Register from the controller and are set again at the end of a proceeding temperature conversion cycle if the measured temperature is outside the set limits.

When the $\overline{\text{ALERT}}$ pin is connected to the SMBus alert line, there can be multiple devices on the same output. For the controller to resolve which target is generating an alert, the controller can send a SMBus ALERT Response Address (ARA) command. If the TMP4718 is generating an alert and an ARA command is sent, the TMP4718 sets the ALERT MASK bit in the Configuration register and send the target address to the controller. An ARA command will not clear any Status register flags.

[Figure 8-15](#) shows the behavior of the $\overline{\text{ALERT}}$ pin and flags while in SMBus Alert mode.

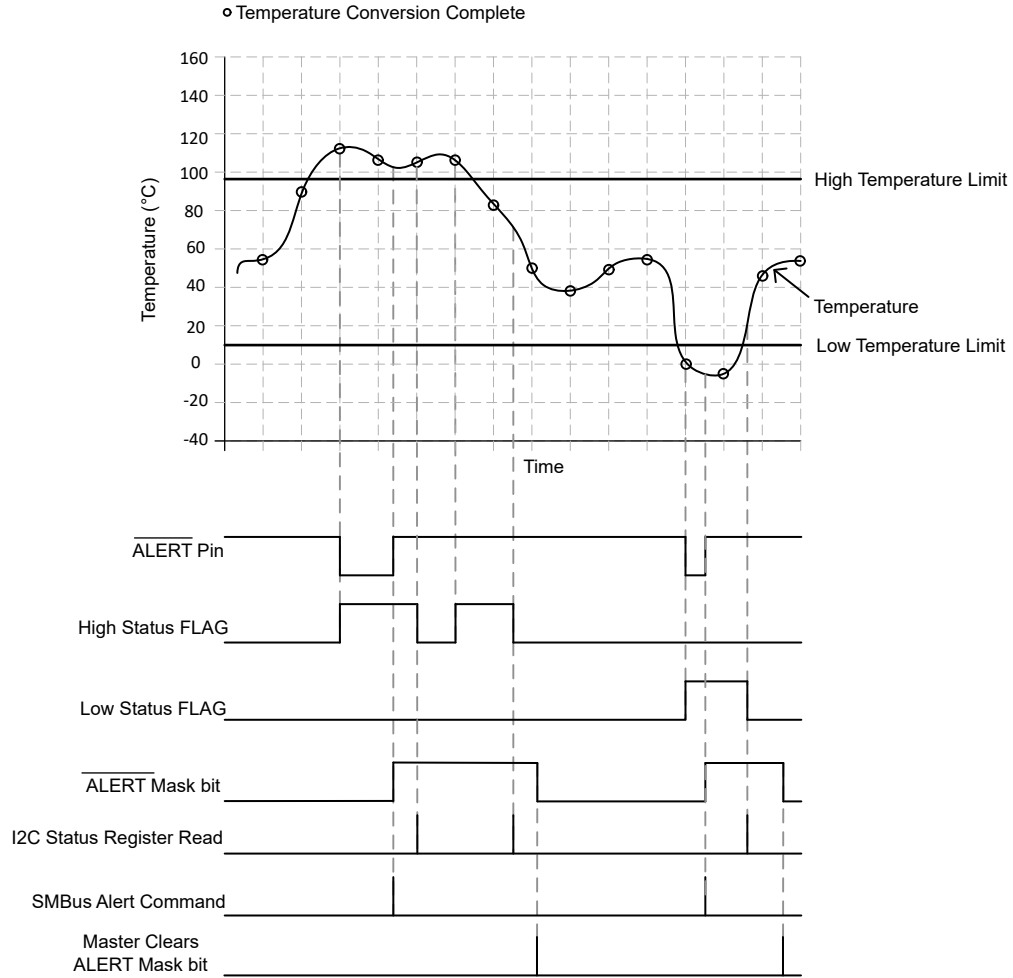


Figure 8-15. Alert SMBus Mode Timing Diagram

8.6 Register Map

Table 8-4. TMP471 Registers

ADDRESS	TYPE	RESET	ACRONYM	REGISTER NAME	SECTION
00h	R	00h	Temp_Local	Local temperature register	GO
01h	R	00h	Temp_Remote_MSB	Remote temperature MSB register	GO
02h	R/RC	00h	Alert_Status	Alert status register	GO
03h or 09h	R/W	05h	Configuration	Configuration register	GO
04h or 0Ah	R/W	08h	Conv_Period	Conversion period register	GO
05h or 0Bh	R/W	46h	THigh_Limit_Local	Local high limit register	GO
06h	R	00h	Reserved	Reserved	
07h or 0Dh	R/W	46h	THigh_Limit_Remote_MSB	Remote high limit MSB register	GO
08h or 0Eh	R/W	D8h	TLow_Limit_Remote_MSB	Remote low limit MSB register	GO
0Ch	R	00h	Reserved	Reserved	
0Fh	W	00h	One_Shot	One shot conversion register	GO
10h	R	00h	Temp_Remote_LSB	Remote temperature LSB register	GO
11h	R/W	00h	Remote_Offset_MSB	Remote temperature offset MSB	GO
12h	R/W	00h	Remote_Offset_LSB	Remote temperature offset LSB	GO
13h	R/W	00h	THigh_Limit_Remote_LSB	Remote high limit LSB register	GO
14h	R/W	00h	TLow_Limit_Remote_LSB	Remote low limit LSB register	GO
16h	R/W	07h	Alert_Mask	Alert mask register	GO
19h	R/W	XXh	THigh_Crit_Remote	Remote Crit limit register	GO
20h	R/W	XXh	THigh_Crit_Local	Local Crit limit register	GO
21h	R/W	0Ah	Crit_Hysteresis	Crit hysteresis register	GO
2Dh	R/W	00h	Log1	Data log 1 register	GO
2Eh	R/W	00h	Log2	Data log 2 register	GO
2Fh	R/W	00h	Log3	Data log 3 register	GO
BFh	R/W	00h	Filter_Alert_Mode	Filter and alert mode register	GO
FDh	R	50h	Chip_ID	Chip ID register	GO
FEh	R	60h	Vendor_ID	Vendor ID register	GO
FFh	R	90h	Device_Rev_ID	Device and Revision ID register	GO

Table 8-5. TMP471 Access Type Codes

Access Type	Code	Description
Read Type		
R	R	Read
RC	R C	Read to Clear
Write Type		
W	W	Write
Reset or Default Value		
-n		Value after reset or the default value

8.6.1 Temp_Local Register (Address = 00h) [reset = 00h]

This register stores the latest temperature conversion result in a 8-bit two's complement format with a LSB (Least Significant Bit) equal to 1°C.

Return to [Register Map](#).

Figure 8-16. Temp_Local Register

7	6	5	4	3	2	1	0
Temp_Local[7:0]							
R-00h							

Table 8-6. Temp_Local Register Field Descriptions

Bit	Field	Type	Reset	Description
7:0	Temp_Local[7:0]	R	00h	8-bit local temperature conversion result. Temperature data is represented by a 8-bit, two's complement byte with an LSB (Least Significant Bit) equal to 1°C.

8.6.2 Temp_Remote_MSB Register (Address = 01h) [reset = 00h]

This register stores the latest temperature conversion result Most Significant Byte (MSB) in a 11-bit two's complement format with a least significant bit equal to 0.125°C.

Return to [Register Map](#).

Figure 8-17. Temp_Remote_MSB Register

7	6	5	4	3	2	1	0
Temp_Remote[10:3]							
R-00h							

Table 8-7. Temp_Remote_MSB Register Field Descriptions

Bit	Field	Type	Reset	Description
7:0	Temp_Remote[10:3]	R	0h	11-bit remote temperature channel conversion result Most Significant Byte Temperature data is represented by a 11-bit, two's complement word with a least significant bit equal to 0.125°C.

8.6.3 Alert_Status Register (Address = 02h) [reset = 00h]

This register shows the current alert status of the device.

Return to [Register Map](#).

Figure 8-18. Alert_Status Register

7	6	5	4	3	2	1	0
ADC_Busy	THigh_LA	Reserved	THigh_RA	TLow_RA	Remote_DC	TCrit_R	TCrit_L
R-0h	R-0h	Reserved	R-0h	R-0h	R-0h	R-0h	R-0h

Table 8-8. Alert_Status Register Field Descriptions

Bit	Field	Type	Reset	Description
7	ADC_Busy	R	0h	Indicates if the ADC is busy in the middle of a conversion 0h = The ADC is idle 1h = The ADC is converting
6	THigh_LA	R	0h	Indicates if the measured local temperature result is higher than the local high limit register setting. 0h = The local temperature is within normal operation 1h = The local temperature exceeds the limit
5	Reserved	R	0h	Reserved
4	THigh_RA	R	0h	Indicates if the measured remote temperature result is higher than the remote high limit register setting. 0h = The remote temperature is within normal operation 1h = The remote temperature exceeds the high alert limit
3	TLow_RA	R	0h	Indicates if the measured remote temperature result is lower than the remote low limit register setting. 0h = The remote temperature is within normal operation 1h = The remote temperature exceeds the low alert limit
2	Remote_DC	R	0h	Indicates if the remote temperature channel is disconnected. This bit does not affect the ALERT or T_CRIT pin. 0h = The remote channel is connected 1h = The remote channel is disconnected
1	TCrit_R	R	0h	Indicates if the measured remote temperature result is above the limit configured in the THigh_Crit_Remote register. 0h = The remote temperature is within normal operation 1h = The remote temperature exceeds the limit
0	TCrit_L	R	0h	Indicates if the measured local temperature result is above the limit configured in the THigh_Crit_Local register. 0h = The local temperature is within normal operation 1h = The local temperature exceeds the limit

8.6.4 Configuration Register (Address = 03h or 09h) [reset = 05h]

This register is used to configure the operation of the device. Changes to the configuration register will disrupt an on-going conversion (except when configuring the device into Shutdown mode) and will be serviced after completion of the conversion.

Return to [Register Map](#).

Figure 8-19. Configuration Register

7	6	5	4	3	2	1	0
Alert_Mask	Mode	Reserved			Remote_En	WTC_En	Fault_Q
R/W-0h	R/W-0h	R-0h			R/W-1h	R/W-0h	R/W-1h

Table 8-9. Configuration Register Field Descriptions

Bit	Field	Type	Reset	Description
7	Alert_Mask	R/W	0h	Controls the functionality of the $\overline{\text{ALERT}}$ pin. This bit is set after reading an active alert and must be cleared for the $\overline{\text{ALERT}}$ pin to assert again. 0h = The $\overline{\text{ALERT}}$ pin is enabled 1h = The $\overline{\text{ALERT}}$ is masked and will not output a low
6	Mode	R/W	0h	Controls the operation mode of the device. 0h = Continuous mode enabled 1h = Shutdown mode enabled
5:3	Reserved	R	0h	Reserved
2	Remote_En	R/W	1h	Enables or disables the remote channel operation. 0h = The remote channel monitoring is disabled 1h = The remote channel monitoring is enabled
1	WTC_En	R/W	0h	Enables the override of the previously stored value for the critical temperature limits. 0h = $\overline{\text{T_CRIT}}$ Limit cannot be changed 1h = $\overline{\text{T_CRIT}}$ Limit can be changed
0	Fault_Q	R/W	1h	Configures the fault queue feature for the $\overline{\text{ALERT}}$ and $\overline{\text{T_CRIT}}$ pins. This only affects the remote channel. 0h = Fault queue is disabled, only 1 temperature result beyond the limits will trigger an $\overline{\text{ALERT}}$ or $\overline{\text{T_CRIT}}$ warning 1h = Fault queue is enabled, three successive temperature results beyond the limits will trigger an $\overline{\text{ALERT}}$ or $\overline{\text{T_CRIT}}$ warning

8.6.5 Conv_Period Register (Address = 04h or 0Ah) [reset = 08h]

This register is used to configure the conversion period of the device. Setting a reserved configuration will stop conversions but not change the device mode.

Return to [Register Map](#).

Figure 8-20. Conv_Period Register

7	6	5	4	3	2	1	0
Reserved				Conv_Period[3:0]			
R-0h				R/W-8h			

Table 8-10. Conv_Period Register Field Descriptions

Bit	Field	Type	Reset	Description
7:4	Reserved	R	0h	Reserved
3:0	Conv_Period[3:0]	R/W	8h	Conversion period setting. This bit field changes the conversion period of the device at the next possible interval but will not restart an on-going conversion period. Writing an unsupported value to this setting will put the device in Shutdown mode. 0h = 16 s / 0.0625 Hz 1h = 8 s / 0.125Hz 2h = 4 s / 0.25 Hz 3h = 2 s / 0.5 Hz 4h = 1 s / 1 Hz 5h = 0.5 s / 2 Hz 6h = 0.25 s / 4 Hz 7h = 0.125 s / 8 Hz 8h = 0.0625 s / 16 Hz (default) 9h-Fh = Reserved

8.6.6 THigh_Limit_Local Register (Address = 05h or 0Bh) [reset = 46h]

This register is used to configure Local temperature high limit. The default value 46h corresponds to a limit setting of 70°C.

Return to [Register Map](#).

Figure 8-21. THigh_Limit_Local Register

7	6	5	4	3	2	1	0
THigh_Limit_Local[7:0]							
R/W-46h							

Table 8-11. THigh_Limit_Local Register Field Descriptions

Bit	Field	Type	Reset	Description
7:0	THigh_Limit_Local[7:0]	R/W	46h	8-bit local temperature alert high limit setting. Temperature alert high limit format is an 8-bit two's complement byte with a least significant bit equal to 1°C

8.6.7 THigh_Limit_Remote_MSB Register (Address = 07h or 0Dh) [reset = 46h]

This register is used to configure the high alert limit for the remote channel. The default value 460h corresponds to a limit setting of 70°C.

Return to [Register Map](#).

Figure 8-22. THigh_Limit_Remote_MSB Register

7	6	5	4	3	2	1	0
THigh_Limit_Remote[10:3]							
R/W-46h							

Table 8-12. THigh_Limit_Remote_MSB Register Field Descriptions

Bit	Field	Type	Reset	Description
7:0	THigh_Limit_Remote[10:3]	R/W	46h	11-bit remote temperature alert high limit setting. Temperature alert high limit format is an 11-bit two's complement word with a least significant bit equal to 0.0125°C

8.6.8 TLow_Limit_Remote_MSB Register (Address = 08h or 0Eh) [reset = D8h]

This register is used to configure the low alert limit for the remote channel. The default value D8h corresponds to -40°C.

Return to [Register Map](#).

Figure 8-23. TLow_Limit_Remote_MSB Register

7	6	5	4	3	2	1	0
TLow_Limit_Remote[10:3]							
R/W-D8h							

Table 8-13. TLow_Limit_Remote_MSB Register Field Descriptions

Bit	Field	Type	Reset	Description
7:0	TLow_Limit_Remote[10:3]	R/W	D8h	11-bit remote temperature alert low limit setting. Temperature alert low limit format is an 11-bit two's complement word with a least significant bit equal to 0.0125°C

8.6.9 One_Shot Register (Address = 0Fh) [reset = 00h]

Write to this register to trigger a One Shot conversion in Shutdown Mode (that is, Bit 6 of the [Configuration Register](#) written to 1).

Return to [Register Map](#).

Figure 8-24. One_Shot Register

7	6	5	4	3	2	1	0
One_Shot[7:0]							
W-00h							

Table 8-14. One_Shot Register Field Descriptions

Bit	Field	Type	Reset	Description
7:0	One_Shot[7:0]	W	00h	Writing any value to this register will trigger a One_Shot conversion while in Shutdown Mode. In continuous mode there will be no effect.

8.6.10 Temp_Remote_LSB Register (Address = 10h) [reset = 00h]

This register contains bits Temp_Remote[2:0] of the remote temperature result.

Return to [Register Map](#).

Figure 8-25. Temp_Remote_LSB Register

7	6	5	4	3	2	1	0
Temp_Remote[2:0]				Reserved			
R-0h				R-00h			

Table 8-15. Temp_Remote_LSB Register Field Descriptions

Bit	Field	Type	Reset	Description
7:5	Temp_Remote[2:0]	R	0h	11-bit remote temperature channel conversion result Least Significant Byte Temperature data is represented by a 11-bit, two's complement word with a least significant bit equal to 0.125°C.
4:0	Reserved	R	00h	Reserved

8.6.11 Remote_Offset_MSB Register (Address = 11h) [reset = 00h]

This register contains the most significant byte of the remote channel offset. Use this register to input a static offset calibration for remote temperature measurements.

Return to [Register Map](#).

Figure 8-26. Remote_Offset_MSB Register

7	6	5	4	3	2	1	0
Remote_Offset[10:3]							
R/W-00h							

Table 8-16. Remote_Offset_MSB Register Field Descriptions

Bit	Field	Type	Reset	Description
7:0	Remote_Offset[10:3]	R/W	00h	11-bit remote temperature channel remote offset most significant byte Temperature data is represented by a 11-bit, two's complement word with a least significant bit equal to 0.125°C.

8.6.12 Remote_Offset_LSB Register (Address = 12h) [reset = 00h]

This register contains the least significant byte of the remote channel offset. Use this register to input a static offset calibration for remote temperature measurements.

Return to [Register Map](#).

Figure 8-27. Remote_Offset_LSB Register

7	6	5	4	3	2	1	0
Remote_Offset[2:0]				Reserved			
R/W-0h				R-00h			

Table 8-17. Remote_Offset_LSB Register Field Descriptions

Bit	Field	Type	Reset	Description
7:5	Remote_Offset[2:0]	R/W	0h	11-bit remote temperature channel remote offset least significant byte Temperature data is represented by a 11-bit, two's complement word with a least significant bit equal to 0.125°C.
4:0	Reserved	R	00h	Reserved

8.6.13 THigh_Limit_Remote_LSB Register (Address = 13h) [reset = 00h]

This register is used to configure the high alert limit for the remote channel.

Return to [Register Map](#).

Figure 8-28. THigh_Limit_Remote_LSB Register

7	6	5	4	3	2	1	0
THigh_Limit_Remote[2:0]				Reserved			
R/W-0h				R-00h			

Table 8-18. THigh_Limit_Remote_LSB Register Field Descriptions

Bit	Field	Type	Reset	Description
7:5	THigh_Limit_Remote[2:0]	R/W	0h	11-bit remote temperature alert high limit setting. Temperature alert high limit format is an 11-bit two's complement word with a least significant bit equal to 0.0125°C
4:0	Reserved	R	00h	Reserved

8.6.14 TLow_Limit_Remote_LSB Register (Address = 14h) [reset = 00h]

This register is used to configure the low alert limit for the remote channel.

Return to [Register Map](#).

Figure 8-29. TLow_Limit_Remote_LSB Register

7	6	5	4	3	2	1	0
TLow_Limit_Remote[2:0]				Reserved			
R/W-0h				R-00h			

Table 8-19. TLow_Limit_Remote_LSB Register Field Descriptions

Bit	Field	Type	Reset	Description
7:5	TLow_Limit_Remote[2:0]	R/W	0h	11-bit remote temperature alert low limit setting. Temperature alert low limit format is an 11-bit two's complement word with a least significant bit equal to 0.0125°C
4:0	Reserved	R	00h	Reserved

8.6.15 Alert_Mask Register (Address = 16h) [reset = 07h]

Controls which alerts are masked. Masking an alert prevents the $\overline{\text{ALERT}}$ pin from being asserted low.

Return to [Register Map](#).

Figure 8-30. Alert_Mask Register

7	6	5	4	3	2	1	0
THigh_LA	Reserved		THigh_RA	TLow_RA	Reserved	TCrit_R	TCrit_L
R/W-0h	R-0h		R/W-0h	R/W-0h	R-1h	R/W-1h	R/W-1h

Table 8-20. Alert_Mask Register Field Descriptions

Bit	Field	Type	Reset	Description
7	THigh_LA	R/W	0h	Mask setting for THigh_LA 0h = THigh_LA is enabled to output the $\overline{\text{ALERT}}$ pin 1h = THigh_LA is masked and will not output a low on the $\overline{\text{ALERT}}$ pin
6:5	Reserved	R	0h	Reserved
4	THigh_RA	R/W	0h	Mask setting for THigh_RA 0h = THigh_RA is enabled to output the $\overline{\text{ALERT}}$ pin 1h = THigh_RA is masked and will not output a low on the $\overline{\text{ALERT}}$ pin
3	TLow_RA	R/W	0h	Mask setting for TLow_RA 0h = TLow_RA is enabled to output the $\overline{\text{ALERT}}$ pin 1h = TLow_RA is masked and will not output a low on the $\overline{\text{ALERT}}$ pin
2	Reserved	R	1h	Reserved
1	TCrit_R	R/W	1h	Mask setting for TCrit_R 0h = TCrit_R is enabled to output the $\overline{\text{ALERT}}$ pin 1h = TCrit_R is masked and will not output a low on the $\overline{\text{ALERT}}$ pin
0	TCrit_L	R/W	1h	Mask setting for TCrit_L 0h = TCrit_L is enabled to output the $\overline{\text{ALERT}}$ pin 1h = TCrit_L is masked and will not output a low on the $\overline{\text{ALERT}}$ pin

8.6.16 THigh_Crit_Remote Register (Address = 19h) [reset = XXh]

This register is used to configure the critical limit for the remote channel. The default value for this register is configured by the pull-up resistors through the $\overline{\text{ALERT}}$ and $\overline{\text{T_CRIT}}$ pins. Note the WTC_En bit in the Configuration register needs to be set to 1h before writing to this register.

Return to [Register Map](#).

Figure 8-31. THigh_Crit_Remote Register

7	6	5	4	3	2	1	0
THigh_Crit_Remote[7:0]							
R/W-XXh							

Table 8-21. THigh_Crit_Remote Register Field Descriptions

Bit	Field	Type	Reset	Description
7:0	THigh_Crit_Remote[7:0]	R/W	XXh	8-bit remote temperature crit limit setting. Temperature crit limit format is an 8-bit two's complement word with a least significant bit equal to 1°C

8.6.17 THigh_Crit_Local Register (Address = 20h) [reset = XXh]

This register is used to configure the critical limit for the local channel. The default value for this register is configured by the pull-up resistors through the $\overline{\text{ALERT}}$ and $\overline{\text{T_CRIT}}$ pins. Note the WTC_En bit in the Configuration register needs to be set to 1h before writing to this register.

Return to [Register Map](#).

Figure 8-32. THigh_Crit_Local Register

7	6	5	4	3	2	1	0
THigh_Crit_Local[7:0]							
R/W-XXh							

Table 8-22. THigh_Crit_Local Register Field Descriptions

Bit	Field	Type	Reset	Description
7:0	THigh_Crit_Local[7:0]	R/W	XXh	8-bit local temperature crit limit setting. Temperature crit limit format is an 8-bit two's complement word with a least significant bit equal to 1°C

8.6.18 Crit_Hysteresis Register (Address = 21h) [reset = 0Ah]

This register is used to configure the critical hysteresis for both remote and local channels. The value for this register is a 5-bit integer value with a least significant bit equal to 1°C. Default value is 10°C.

Return to [Register Map](#).

Figure 8-33. Crit_Hysteresis Register

7	6	5	4	3	2	1	0
Reserved			Crit_Hysteresis[4:0]				
R-0h			R/W-0Ah				

Table 8-23. Crit_Hysteresis Register Field Descriptions

Bit	Field	Type	Reset	Description
7:5	Reserved	R	0h	Reserved
4:0	Crit_Hysteresis[4:0]	R/W	0Ah	5-bit temperature critical hysteresis. Temperature crit hysteresis format is an 5-bit integer byte with a least significant bit equal to 1°C

8.6.19 Log1 Register (Address = 2Dh) [reset = 00h]

This register is available as a general purpose log register. This register will have no impact on device operation.

Return to [Register Map](#).

Figure 8-34. Log1 Register

7	6	5	4	3	2	1	0
Log1[7:0]							
R/W-00h							

Table 8-24. Log1 Register Field Descriptions

Bit	Field	Type	Reset	Description
7:0	Log1[7:0]	R/W	0h	General purpose data log.

8.6.20 Log2 Register (Address = 2Eh) [reset = 00h]

This register is available as a general purpose log register. This register will have no impact on device operation.

Return to [Register Map](#).

Figure 8-35. Log2 Register

7	6	5	4	3	2	1	0
Log2[7:0]							
R/W-00h							

Table 8-25. Log2 Register Field Descriptions

Bit	Field	Type	Reset	Description
7:0	Log2[7:0]	R/W	0h	General purpose data log.

8.6.21 Log3 Register (Address = 2Fh) [reset = 00h]

This register is available as a general purpose log register. This register will have no impact on device operation. Return to [Register Map](#).

Figure 8-36. Log3 Register

7	6	5	4	3	2	1	0
Log3[2:0]							
R/W-00h							

Table 8-26. Log3 Register Field Descriptions

Bit	Field	Type	Reset	Description
7:0	Log3[7:0]	R/W	0h	General purpose data log.

8.6.22 Filter_Alert_Mode Register (Address = BFh) [reset = 00h]

This register controls the remote diode filter level and the alert mode of operation. Return to [Register Map](#).

Figure 8-37. Filter_Alert_Mode Register

7	6	5	4	3	2	1	0
Reserved				Filter_Level[1:0]		Alert_Mode	
R-00h				R/W-0h		R/W-0h	

Table 8-27. Filter_Alert_Mode Register Field Descriptions

Bit	Field	Type	Reset	Description
7:3	Reserved	R	0h	Reserved
2:1	Filter_Level[1:0]	R/W	0h	Controls the filter level. The filter is a moving average of the Remote temperature conversion results. 0h = 0 moving average 1h = 4 moving average 2h = 4 moving average 3h = 8 moving average
0	Alert_Mode	R/W	0h	Controls the $\overline{\text{ALERT}}$ pin mode of operation 0h = Interrupt or SMBus Alert mode 1h = Comparator mode

8.6.23 Chip_ID Register (Address = FDh) [reset = 50h]

This register contains the Chip ID for identifying the device.

Return to [Register Map](#).

Figure 8-38. Chip_ID Register

7	6	5	4	3	2	1	0
Chip_ID[7:0]							
R-50h							

Table 8-28. Chip_ID Register Field Descriptions

Bit	Field	Type	Reset	Description
7:0	Chip_ID[7:0]	R	50h	Chip ID of the device.

8.6.24 Vendor_ID Register (Address = FEh) [reset = 60h]

This register contains the Vendor ID for identifying the device.

Return to [Register Map](#).

Figure 8-39. Vendor_ID Register

7	6	5	4	3	2	1	0
Vendor_ID[7:0]							
R-60h							

Table 8-29. Vendor_ID Register Field Descriptions

Bit	Field	Type	Reset	Description
7:0	Vendor_ID[7:0]	R	60h	Vendor ID of the device.

8.6.25 Device_Rev_ID Register (Address = FFh) [reset = 91h]

This register contains the Device and Revision ID for identifying the device.

Return to [Register Map](#).

Figure 8-40. Device_Rev_ID Register

7	6	5	4	3	2	1	0
Device_ID[3:0]				Rev_ID[3:0]			
R-9h				R-0h			

Table 8-30. Device_Rev_ID Register Field Descriptions

Bit	Field	Type	Reset	Description
7:4	Device_ID[3:0]	R	9h	Device ID of the device.
3:0	Rev_ID[3:0]	R	1h	Revision ID of the device.

9 Application and Implementation

Note

Information in the following applications sections is not part of the TI component specification, and TI does not warrant its accuracy or completeness. TI's customers are responsible for determining suitability of components for their purposes, as well as validating and testing their design implementation to confirm system functionality.

9.1 Application Information

The TMP4718 operates with a two-wire I²C or SMBus compatible interface. The interfaces support static input thresholds independent of supply to maintain compatibility with a 1.2-V logic I²C or SMBus. The following section shows an example implementation of proper device operation.

9.2 Typical Application

Figure 9-1 depicts the completed design.

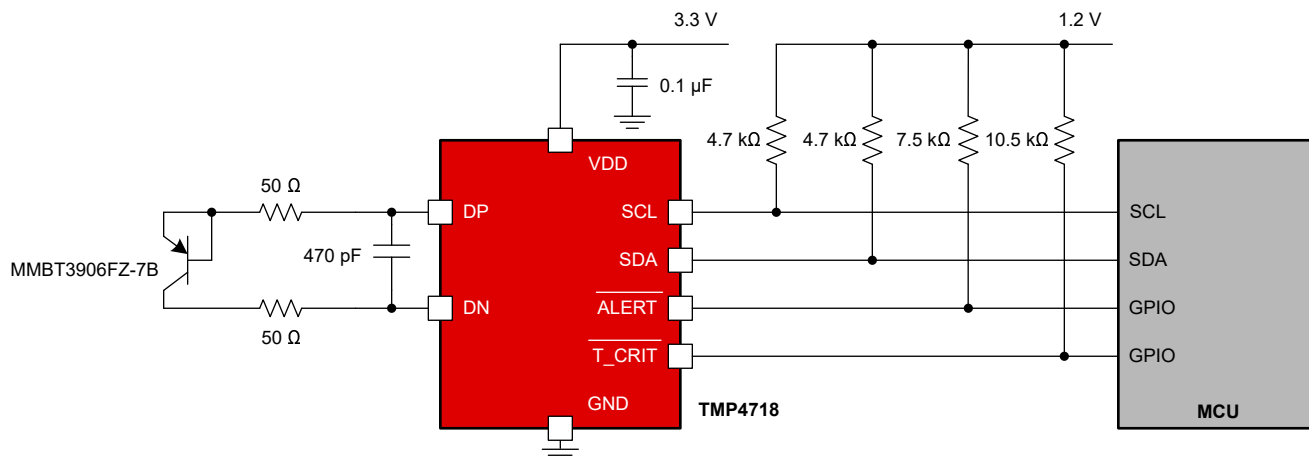


Figure 9-1. TMP4718 Design Example

9.2.1 Design Requirements

In this design example, the requirement is to design a temperature monitoring system using the TMP4718 with the MMBT3906FZ-7B as the bipolar sensing transistor. The default T_{CRIT} high temperature limit for this example is 99°C. Table 9-1 lists the design parameters for this application.

Table 9-1. Design Parameters

PARAMETER	VALUE
Supply	3.3 V
I/O Pullup Voltage	1.2 V
Default T_{CRIT} high temperature limit	99°C
Bipolar Transistor	MMBT3906FZ-7B (Diodes Inc.)

9.2.2 Detailed Design Procedure

The ideality factor (η) is a measured characteristic of a remote temperature sensor diode as compared to an ideal diode. Compensating for ideality factor differences is simple if the diode manufacturer specifies the n-factor in the respective data sheet. If the ideality factor of the transistor is not specified, the manufacturer may be able to provide the n-factor value by a special request.

The TMP4718 provides an offset register to allow for a one point offset calibration that compensates for errors. Temperature errors associated with ideality factors of different processors or transistor types may be reduced in a specific temperature range of concern through use of offset calibration. Typical ideality factor specification differences cause a gain variation of the transfer function, so the center of the temperature range can be used as the target temperature for calibration purposes. The TMP4718 is calibrated for the ideality factor of 1.004, so use [Equation 1](#) to calculate the required temperature correction factor (T_{CF}) needed to compensate for a target ideality factor that differs from 1.004.

$$T_{CF} = \left(\frac{\eta_{\text{SENSOR}} - \eta_{\text{DIODE}}}{\eta_{\text{SENSOR}}} \right) \times (T_{CR} + 273K) \quad (1)$$

where:

- η_{SENSOR} is the ideality factor of the temperature sensor, In the case of TMP4718, η_{SENSOR} is calibrated to approximately 1.004.
- η_{DIODE} is the ideality factor of the thermal diode integrated in a processor or a discrete transistor used to measure the temperature at a remote spot.
- T_{CR} is the temperature value at the center of the temperature range of interest.
- T_{CF} is the temperature to compensate for a target ideality factor that can be programmed to the offset register for more accuracy temperature measurement.

In this example, the temperature of interest is from 60°C to 100°C, therefore the 80°C is the center of the temperature range and shall be used in the equation for calculation. The MMBT3906FZ-7B bipolar transistor, which has an ideality factor of approximately 1.01, is selected for this design example. Use [Equation 2](#) to calculate the correction factor:

$$T_{CF} = \left(\frac{1.004 - 1.01}{1.004} \right) \times (80 + 273K) = -2.11 \quad (2)$$

The TMP4718 has a remote temperature resolution of 0.125°C. Therefore, 2.125°C is the closest value that can be programmed into the offset register to be subtracted from the remote temperature sensor temperature readings to compensate for the differing typical ideality factors.

The design calls for the default $\overline{T_CRIT}$ high-temperature limit of 99°C at device power up, which is programmed using the pullup resistors on \overline{ALERT} and $\overline{T_CRIT}$ pins. Referring to [Adjustable Default \$\overline{T_CRIT}\$ High-Temperature Limit](#), the 99°C trip point requires a 7.5-k Ω pullup resistor on the \overline{ALERT} pin and a 10.5-k Ω pullup resistor on the $\overline{T_CRIT}$ pin. The default limit allows the $\overline{T_CRIT}$ pin to engage at the desired threshold and alerts the system of a thermal condition at device power up without any initial software configuration.

Remote junction temperature sensors are usually implemented in a noisy environment. Noise is most often created by fast digital signals, and noise can corrupt measurements. The TMP4718 device has a built-in, 65-kHz filter on the inputs of D+ and D– to minimize the effects of noise. However, a bypass capacitor placed differentially across the inputs of the remote temperature sensor is recommended to make the application more robust against unwanted coupled signals. For this capacitor, select a value of between 100 pF and 3 nF. Some applications attain better overall accuracy with additional series resistance; however, this increased accuracy is application-specific. When series resistance is added, the total value should not be greater than 1 k Ω . If filtering is required, suggested component values are 470 pF and 50 Ω on each input; exact values are application-specific.

9.2.3 Application Curves

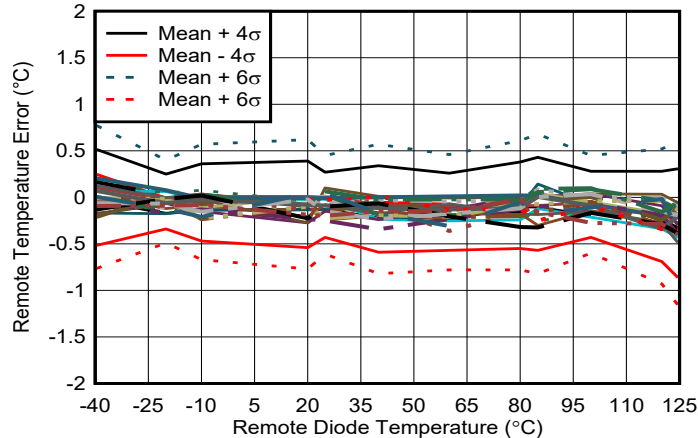


Figure 9-2. Remote Temperature Accuracy vs Temperature

9.3 Power Supply Recommendations

The TMP4718 device operates with a power-supply range of 1.62 V to 5.5 V. The device is optimized for operation at a 3.3-V supply but can measure temperature accurately in the full supply range. A power-supply bypass capacitor is recommended. Place this capacitor as close as possible to the supply and ground pins of the device. A typical value for this supply bypass capacitor is 0.1 μ F. Applications with noisy or high-impedance power supplies may require additional decoupling capacitors to reject power-supply noise.

9.4 Layout

9.4.1 Layout Guidelines

Remote temperature sensing on the TMP4718 device measures very small voltages using very low currents, therefore noise at the device inputs must be minimized. Most applications using the TMP4718 have high digital content, with several clocks and logic-level transitions that create a noisy environment. The layout must adhere to the following guidelines:

1. Place the TMP4718 device as close to the remote junction sensor as possible.
2. Route the DP and DN traces next to each other and shield them from adjacent signals through the use of ground guard traces. If a multilayer PCB is used, bury these traces between the ground or V+ planes to shield them from extrinsic noise sources. 5-mil (0.127 mm) PCB traces are recommended.
3. Minimize additional thermocouple junction induced offset voltage caused by copper-to-solder connections. If these junctions are used, make the same number and approximate locations of copper-to-solder connections in both the DP and DN connections to cancel any thermocouple effects.
4. Use a 0.1- μ F local bypass capacitor directly between the VDD and GND of the TMP4718 device. For optimum measurement performance, minimize filter capacitance between DP and DN to 3 nF or less. This capacitance includes any cable capacitance between the remote temperature sensor and the TMP4718 device. The external capacitor shall be placed as close to the DP and DN pin as possible.
5. If the connection between the remote temperature sensor and the TMP4718 device is less than 8-in (20.32 cm) long, use a twisted-wire pair connection. For lengths greater than 8 inches, use a twisted, shielded pair with the shield grounded as close to the TMP4718 device as possible. Leave the remote sensor connection end of the shield wire open to avoid ground loops and 60-Hz pickup.
6. Thoroughly clean and remove all flux residue in and around the pins of the TMP4718 device to avoid any leakage induced temperature measurement error.
7. If series resistors are added, equal value shall be used for the DP and DN connections and the value shall not be greater than 1 k Ω . Place the resistors as closed to the DP and DN pins as possible.

9.4.2 Layout Example

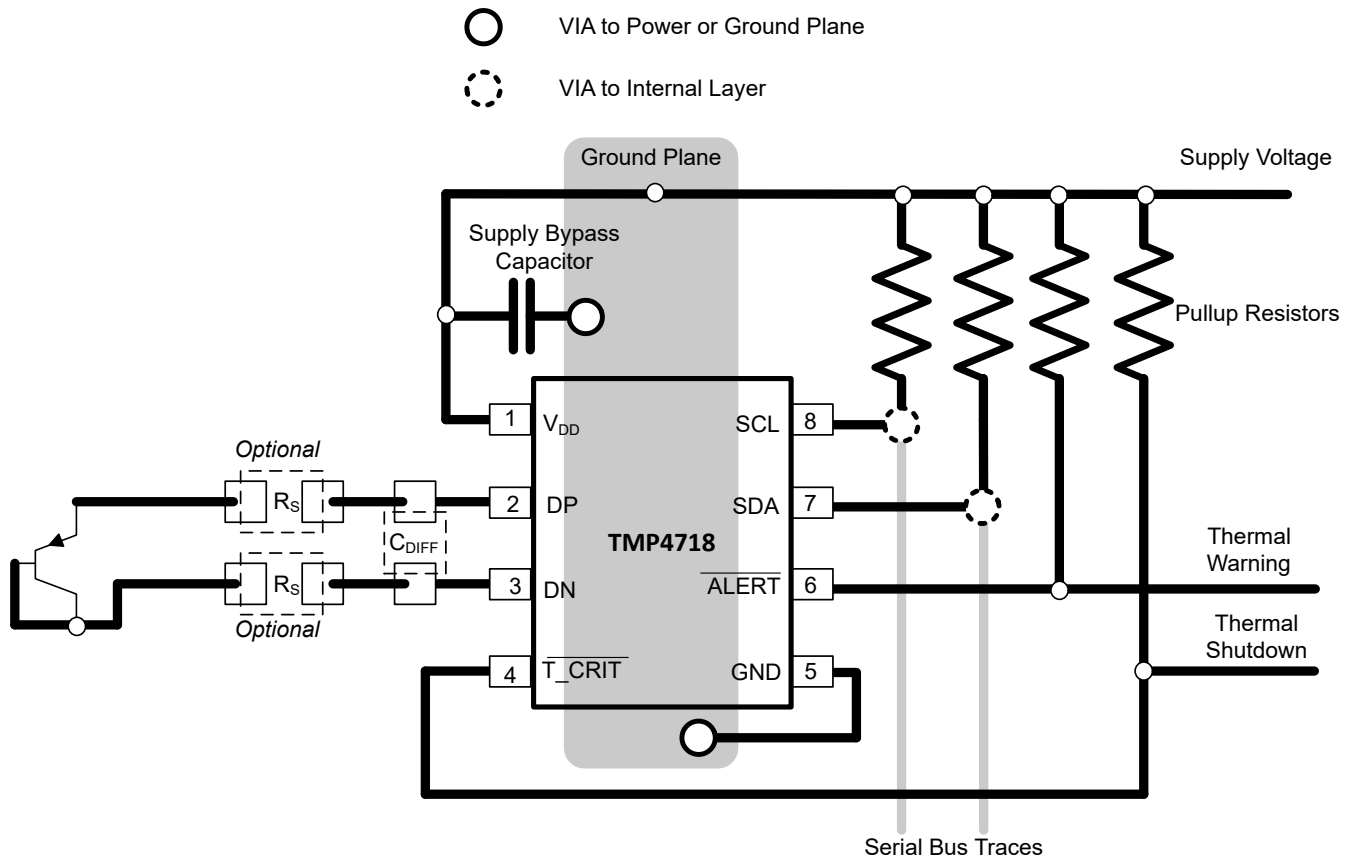


Figure 9-3. TMP4718 Layout Example

10 Device and Documentation Support

10.1 Documentation Support

10.1.1 Related Documentation

For related documentation see the following:

- Texas Instruments, [I2C Bus Pullup Resistor Calculation application note](#)
- Texas Instruments, [TMP4718EVM User's Guide](#)

10.2 Receiving Notification of Documentation Updates

To receive notification of documentation updates, navigate to the device product folder on [ti.com](#). Click on *Subscribe to updates* to register and receive a weekly digest of any product information that has changed. For change details, review the revision history included in any revised document.

10.3 Support Resources

[TI E2E™ support forums](#) are an engineer's go-to source for fast, verified answers and design help — straight from the experts. Search existing answers or ask your own question to get the quick design help you need.

Linked content is provided "AS IS" by the respective contributors. They do not constitute TI specifications and do not necessarily reflect TI's views; see TI's [Terms of Use](#).

10.4 Trademarks

TI E2E™ is a trademark of Texas Instruments.
All trademarks are the property of their respective owners.

10.5 Electrostatic Discharge Caution



This integrated circuit can be damaged by ESD. Texas Instruments recommends that all integrated circuits be handled with appropriate precautions. Failure to observe proper handling and installation procedures can cause damage.

ESD damage can range from subtle performance degradation to complete device failure. Precision integrated circuits may be more susceptible to damage because very small parametric changes could cause the device not to meet its published specifications.

10.6 Glossary

[TI Glossary](#) This glossary lists and explains terms, acronyms, and definitions.

11 Mechanical, Packaging, and Orderable Information

The following pages include mechanical, packaging, and orderable information. This information is the most current data available for the designated devices. This data is subject to change without notice and revision of this document. For browser-based versions of this data sheet, refer to the left-hand navigation.

PACKAGING INFORMATION

Orderable Device	Status (1)	Package Type	Package Drawing	Pins	Package Qty	Eco Plan (2)	Lead finish/ Ball material (6)	MSL Peak Temp (3)	Op Temp (°C)	Device Marking (4/5)	Samples
PTMP4718DGKR	ACTIVE	VSSOP	DGK	8	2500	TBD	Call TI	Call TI	-40 to 125		Samples
TMP4718ADGKR	ACTIVE	VSSOP	DGK	8	2500	RoHS & Green	SN	Level-2-260C-1 YEAR	-40 to 125	35ET	Samples
TMP4718BDGKR	ACTIVE	VSSOP	DGK	8	2500	RoHS & Green	SN	Level-2-260C-1 YEAR	-40 to 125	35FT	Samples

(1) The marketing status values are defined as follows:

ACTIVE: Product device recommended for new designs.

LIFEBUY: TI has announced that the device will be discontinued, and a lifetime-buy period is in effect.

NRND: Not recommended for new designs. Device is in production to support existing customers, but TI does not recommend using this part in a new design.

PREVIEW: Device has been announced but is not in production. Samples may or may not be available.

OBSOLETE: TI has discontinued the production of the device.

(2) **RoHS:** TI defines "RoHS" to mean semiconductor products that are compliant with the current EU RoHS requirements for all 10 RoHS substances, including the requirement that RoHS substance do not exceed 0.1% by weight in homogeneous materials. Where designed to be soldered at high temperatures, "RoHS" products are suitable for use in specified lead-free processes. TI may reference these types of products as "Pb-Free".

RoHS Exempt: TI defines "RoHS Exempt" to mean products that contain lead but are compliant with EU RoHS pursuant to a specific EU RoHS exemption.

Green: TI defines "Green" to mean the content of Chlorine (Cl) and Bromine (Br) based flame retardants meet JS709B low halogen requirements of <=1000ppm threshold. Antimony trioxide based flame retardants must also meet the <=1000ppm threshold requirement.

(3) MSL, Peak Temp. - The Moisture Sensitivity Level rating according to the JEDEC industry standard classifications, and peak solder temperature.

(4) There may be additional marking, which relates to the logo, the lot trace code information, or the environmental category on the device.

(5) Multiple Device Markings will be inside parentheses. Only one Device Marking contained in parentheses and separated by a "~" will appear on a device. If a line is indented then it is a continuation of the previous line and the two combined represent the entire Device Marking for that device.

(6) Lead finish/Ball material - Orderable Devices may have multiple material finish options. Finish options are separated by a vertical ruled line. Lead finish/Ball material values may wrap to two lines if the finish value exceeds the maximum column width.

Important Information and Disclaimer:The information provided on this page represents TI's knowledge and belief as of the date that it is provided. TI bases its knowledge and belief on information provided by third parties, and makes no representation or warranty as to the accuracy of such information. Efforts are underway to better integrate information from third parties. TI has taken and continues to take reasonable steps to provide representative and accurate information but may not have conducted destructive testing or chemical analysis on incoming materials and chemicals. TI and TI suppliers consider certain information to be proprietary, and thus CAS numbers and other limited information may not be available for release.

In no event shall TI's liability arising out of such information exceed the total purchase price of the TI part(s) at issue in this document sold by TI to Customer on an annual basis.

TAPE AND REEL INFORMATION

QUADRANT ASSIGNMENTS FOR PIN 1 ORIENTATION IN TAPE


*All dimensions are nominal

Device	Package Type	Package Drawing	Pins	SPQ	Reel Diameter (mm)	Reel Width W1 (mm)	A0 (mm)	B0 (mm)	K0 (mm)	P1 (mm)	W (mm)	Pin1 Quadrant
TMP4718ADGKR	VSSOP	DGK	8	2500	330.0	12.4	5.25	3.35	1.25	8.0	12.0	Q1
TMP4718BDGKR	VSSOP	DGK	8	2500	330.0	12.4	5.25	3.35	1.25	8.0	12.0	Q1

TAPE AND REEL BOX DIMENSIONS


*All dimensions are nominal

Device	Package Type	Package Drawing	Pins	SPQ	Length (mm)	Width (mm)	Height (mm)
TMP4718ADGKR	VSSOP	DGK	8	2500	366.0	364.0	50.0
TMP4718BDGKR	VSSOP	DGK	8	2500	366.0	364.0	50.0

DGK0008A



PACKAGE OUTLINE

VSSOP - 1.1 mm max height

SMALL OUTLINE PACKAGE



4214862/A 04/2023

NOTES:

PowerPAD is a trademark of Texas Instruments.

1. All linear dimensions are in millimeters. Any dimensions in parenthesis are for reference only. Dimensioning and tolerancing per ASME Y14.5M.
2. This drawing is subject to change without notice.
3. This dimension does not include mold flash, protrusions, or gate burrs. Mold flash, protrusions, or gate burrs shall not exceed 0.15 mm per side.
4. This dimension does not include interlead flash. Interlead flash shall not exceed 0.25 mm per side.
5. Reference JEDEC registration MO-187.

EXAMPLE BOARD LAYOUT

DGK0008A

™ VSSOP - 1.1 mm max height

SMALL OUTLINE PACKAGE



LAND PATTERN EXAMPLE
EXPOSED METAL SHOWN
SCALE: 15X



SOLDER MASK DETAILS

4214862/A 04/2023

NOTES: (continued)

6. Publication IPC-7351 may have alternate designs.
7. Solder mask tolerances between and around signal pads can vary based on board fabrication site.
8. Vias are optional depending on application, refer to device data sheet. If any vias are implemented, refer to their locations shown on this view. It is recommended that vias under paste be filled, plugged or tented.
9. Size of metal pad may vary due to creepage requirement.

EXAMPLE STENCIL DESIGN

DGK0008A

TM VSSOP - 1.1 mm max height

SMALL OUTLINE PACKAGE



SOLDER PASTE EXAMPLE
SCALE: 15X

4214862/A 04/2023

NOTES: (continued)

11. Laser cutting apertures with trapezoidal walls and rounded corners may offer better paste release. IPC-7525 may have alternate design recommendations.
12. Board assembly site may have different recommendations for stencil design.

IMPORTANT NOTICE AND DISCLAIMER

TI PROVIDES TECHNICAL AND RELIABILITY DATA (INCLUDING DATA SHEETS), DESIGN RESOURCES (INCLUDING REFERENCE DESIGNS), APPLICATION OR OTHER DESIGN ADVICE, WEB TOOLS, SAFETY INFORMATION, AND OTHER RESOURCES "AS IS" AND WITH ALL FAULTS, AND DISCLAIMS ALL WARRANTIES, EXPRESS AND IMPLIED, INCLUDING WITHOUT LIMITATION ANY IMPLIED WARRANTIES OF MERCHANTABILITY, FITNESS FOR A PARTICULAR PURPOSE OR NON-INFRINGEMENT OF THIRD PARTY INTELLECTUAL PROPERTY RIGHTS.

These resources are intended for skilled developers designing with TI products. You are solely responsible for (1) selecting the appropriate TI products for your application, (2) designing, validating and testing your application, and (3) ensuring your application meets applicable standards, and any other safety, security, regulatory or other requirements.

These resources are subject to change without notice. TI grants you permission to use these resources only for development of an application that uses the TI products described in the resource. Other reproduction and display of these resources is prohibited. No license is granted to any other TI intellectual property right or to any third party intellectual property right. TI disclaims responsibility for, and you will fully indemnify TI and its representatives against, any claims, damages, costs, losses, and liabilities arising out of your use of these resources.

TI's products are provided subject to [TI's Terms of Sale](#) or other applicable terms available either on [ti.com](https://www.ti.com) or provided in conjunction with such TI products. TI's provision of these resources does not expand or otherwise alter TI's applicable warranties or warranty disclaimers for TI products.

TI objects to and rejects any additional or different terms you may have proposed.

Mailing Address: Texas Instruments, Post Office Box 655303, Dallas, Texas 75265
Copyright © 2024, Texas Instruments Incorporated