

## **AMC1305xxEVM User's Guide**

This user's guide describes the characteristics, operation, and use of the AMC1305EVM populated with either the AMC1305L25, AMC1305M05 or AMC1305M25. See [Table 1](#) for additional details about the analog input range and bandwidth for each component in the AMC1305 family. The AMC1305EVM is designed for prototyping and evaluation. A complete circuit description, schematic diagram, and bill of materials are included.

Throughout this document, the abbreviation *EVM* and the term *evaluation module* are synonymous with the AMC1305EVM.

The following related documents are available through the Texas Instruments web site at [www.ti.com](http://www.ti.com).

### Related Documentation

Device	Literature Number
<a href="#">AMC1305</a>	<a href="#">SBAS654</a>
<a href="#">AMC1210</a>	<a href="#">SBAS372</a>
<a href="#">SN6501</a>	<a href="#">SLLSEA0</a>
<a href="#">TMS320F28377D</a>	<a href="#">SPRS880A</a>
<a href="#">TLV70450</a>	<a href="#">SBVS148C</a>

### Contents

1	Overview .....	2
2	Analog Interface.....	2
3	Digital Interface .....	3
4	Power Supplies .....	3
5	EVM Set-Up and Operation .....	7
6	Bill of Materials, Schematic, and Layout.....	8

### List of Figures

1	AMC1305EVM Schematic: Analog Input Section .....	2
2	Power, Clock Input, and Digital Data Output.....	3
3	JP1 in <i>Ext</i> Position.....	4
4	JP1 in <i>Iso</i> Position .....	4
5	Forward Voltage of the Rectifier Diode .....	6
6	AMC1305EVM Silk Screen Drawing .....	8

### List of Tables

1	AMC1305 Family Information .....	7
2	AMC1305EVM Bill of Materials .....	9

## 1 Overview

### 1.1 Features

- Full-featured evaluation module for the [AMC1305](#) single-channel, isolated, delta-sigma ( $\Delta\Sigma$ ) modulator
- Screw terminals for easy access to analog inputs, clock input, and modulator data output
- Optional isolated power to the AMC1305 analog voltage supply input derived from the controller-side power supply

### 1.2 Introduction

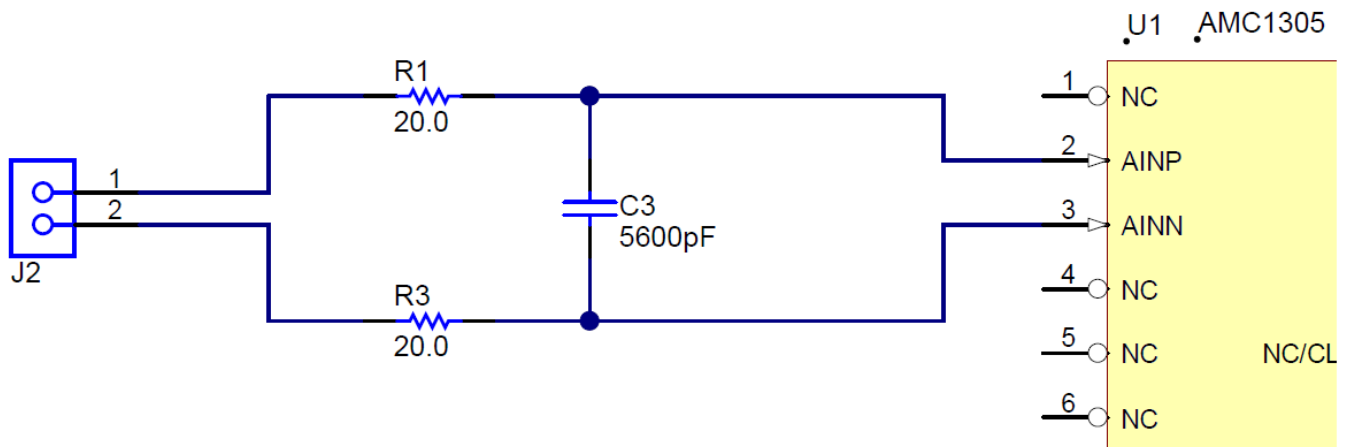
The AMC1305 is a single-channel, second-order, switched-capacitor,  $\Delta\Sigma$  modulator with an output separated from the input interface circuitry by a capacitive isolation barrier. The isolation barrier provides galvanic isolation of up to 7000 V<sub>PEAK</sub>. The AMC1305 can be used to achieve 16 bits of resolution with a dynamic range of 80 dB (13 ENOB) at a data rate of 78 kSPS when paired with a digital filter (such as the  $\Delta\Sigma$  filter module in the [TMS320F28377D](#) or the [AMC1210](#)).

## 2 Analog Interface

The analog input to the AMC1305 is routed from the two-wire screw terminal at J2. This screw terminal gives the user access to the inverting and noninverting inputs of the AMC1305 device installed at U1.

### 2.1 Analog Inputs

The analog input to the AMC1305EVM printed circuit board (PCB) consists of a simple RC filter circuit. The input circuitry to the AMC1305 is shown in [Figure 1](#).



**Figure 1. AMC1305EVM Schematic: Analog Input Section**

Note that the RC filter circuit is not required in every application; the input amplifier of the AMC1305 already provides a limited input bandwidth. See [Table 1](#) for additional details about the analog input bandwidth for each component in the AMC1305 family.

### 3 Digital Interface

The AMC1305EVM is designed for use with digital filters (such as the  $\Delta\Sigma$  filter module in the TMS320F28377D or the AMC1210). The power, clock input, and modulator data output of the AMC1305 device are routed to the two-wire screw terminals at J1, J3, and J4, as Figure 2 shows.

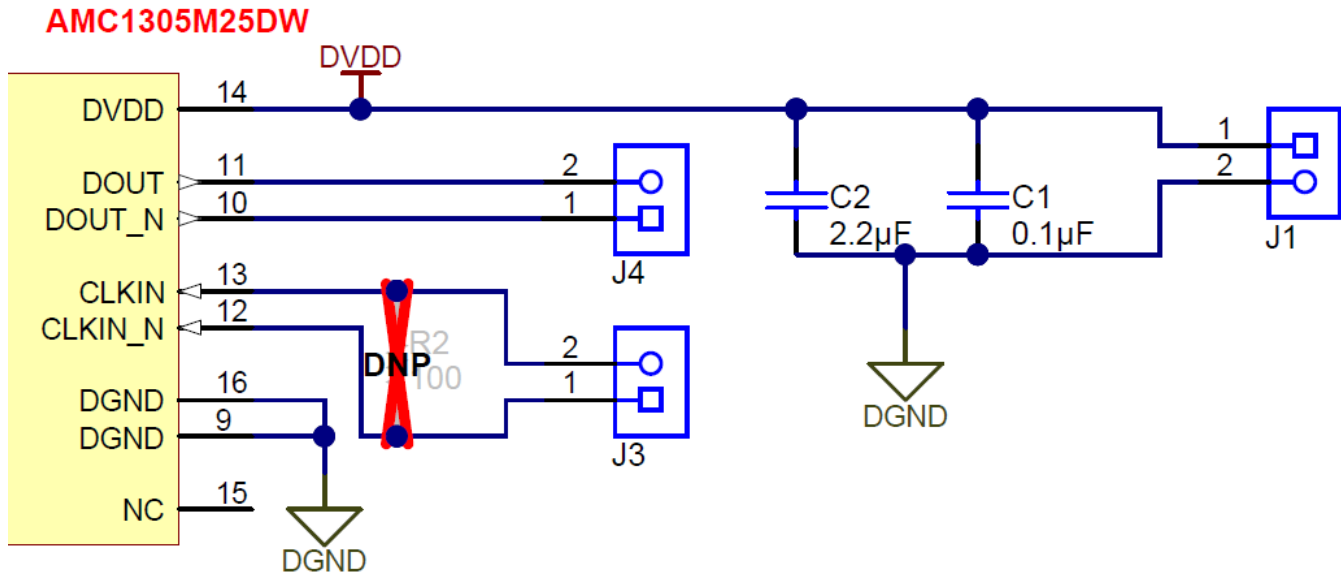


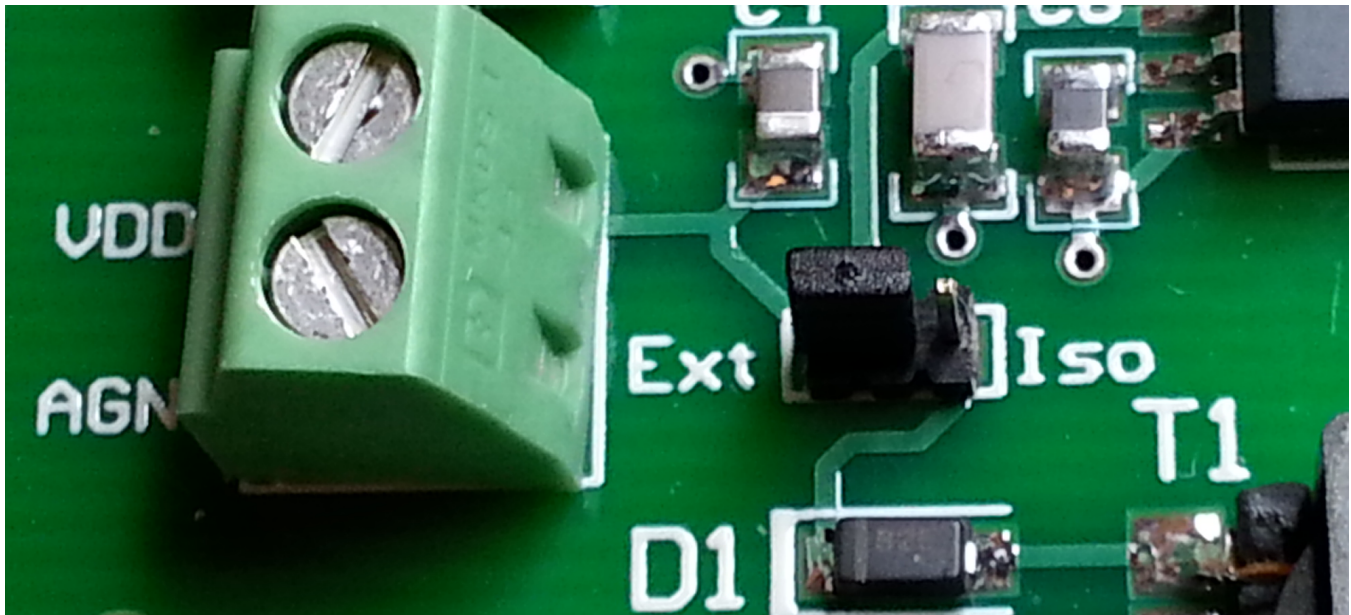
Figure 2. Power, Clock Input, and Digital Data Output

Note that component R2 in Figure 2 is marked as DNP (do not populate) because Figure 2 corresponds to an AMC1305EVM populated with a CMOS variant of the AMC1305. Refer to Table 1 for additional details about the analog input ranges and interfaces available in the AMC1305 family.

### 4 Power Supplies

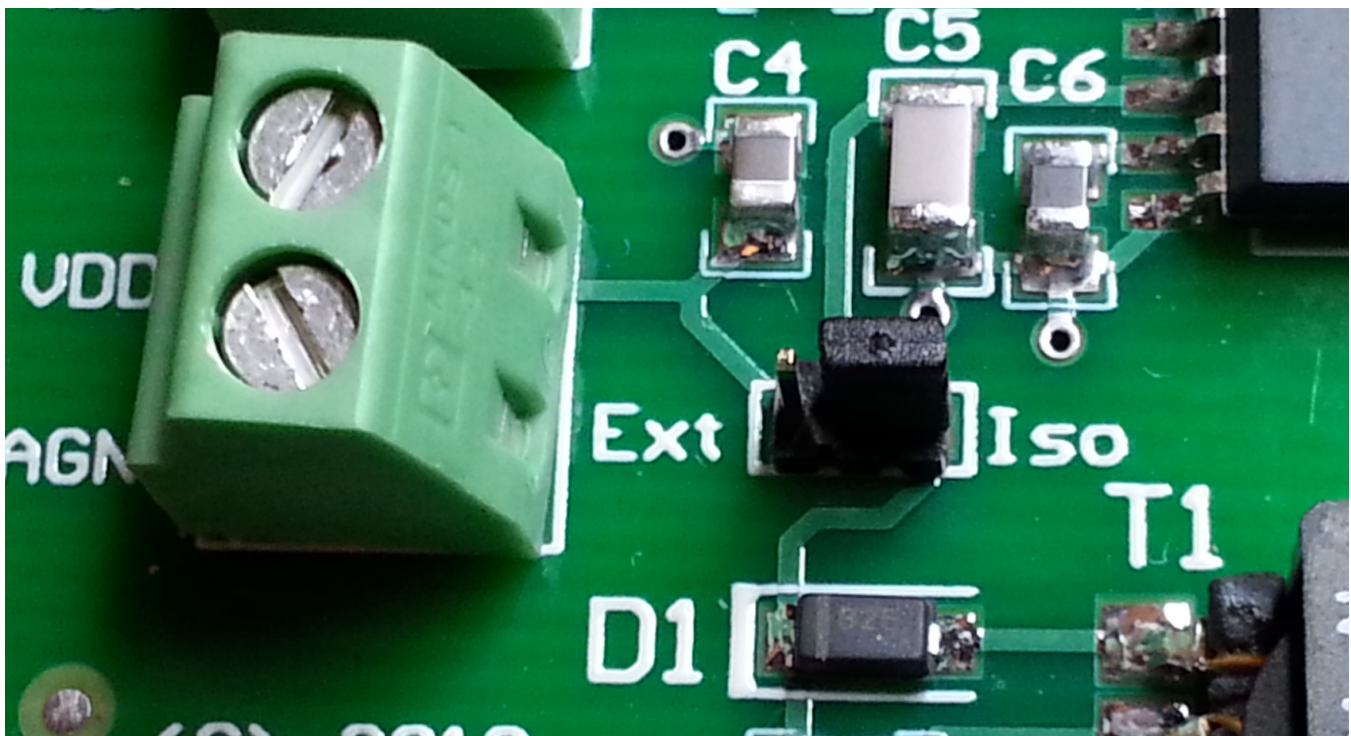
Power for the controller side of the AMC1305 device is supplied through the two-wire screw terminal at J1.

The user has two options to provide power for the high side of the AMC1305 device. One option is to supply the high side of the AMC1305 through the two-wire screw terminal at J5; to accomplish that, the user must set jumper JP1 to the position labeled *Ext*; see Figure 3.



**Figure 3. JP1 in *Ext* Position**

The second option is to supply the high side of the AMC1305 with the filtered signal coming from the isolated side of the onboard transformer T1. Note that the filtered signal on the isolated side of T1 is generated from the power supplied to the controller side of the AMC1305 device by using the SN6501 transformer driver located at U3. To take advantage of this isolated, onboard supply, the user must set jumper JP1 to the position labeled *Iso*, as shown in [Figure 4](#).



**Figure 4. JP1 in *Iso* Position**

The design of the isolated, unregulated power source to the AMC1305 analog supply input closely follows the [TIPD121 Design Reference Guide, 0-5 A, Single-Supply, 2 kV Isolated Current Sensing Solution \(SLAU521\)](#).

The [SN6501](#) transformer driver is used because it is designed for low-power, push-pull converters with input voltages in the range of 3 V to 5.5 V; such voltage ranges fit well within the AMC1305 controller-side supply range. Three important components in the dc-dc converter are the isolation transformer, the rectifier diode, and the linear regulator.

#### 4.1 Transformer Selection

To prevent the isolation transformer from saturating, its volt-seconds (V-t) product must be greater than the maximum volt-seconds product applied by the SN6501. The maximum voltage delivered by the SN6501 is the nominal converter input plus a 10% margin. The maximum time this voltage is applied to the primary is half the period of the lowest frequency at the specified input voltage. The minimum switching frequency of the SN6501 at 5-V operation is 300 kHz. Therefore, the transformer minimum V-t product under these conditions, as determined by equations (1) and (2) in the [SN6501 data sheet](#), is 9.1 V $\mu$ s. The specified V-t product of the isolation transformer selected (DA2304) is well above this 9.1-V $\mu$ s requirement.

When searching for a suitable transformer, the minimum turns ratio required must be determined; such a ratio allows the push-pull converter to operate over the specified current and temperature range. The minimum turns ratio required can be expressed through the ratio of secondary to primary voltage multiplied by a correction factor that takes into account the transformer typical efficiency. Equations (3) through (8) in the [SN6501 data sheet](#) show the specific requirements for determining the minimum turns ratio for a given application. The DA2304 has a 1:2.2 turns ratio; such a ratio produces an unregulated, open-circuit voltage output well within the input range of the low-dropout regulator used in this design.

#### 4.2 Rectifier Diode Selection

The chosen rectifier diode must possess low forward voltage to provide as much voltage to the converter output as possible. When used in high-frequency switching applications, the rectifier must also possess a short recovery time. Schottky diodes meet both of these requirements. The MBR0520L with a typical forward voltage of approximately 200 mV at 8-mA forward current is used in this design. [Figure 5](#) illustrates the forward voltage versus forward current characteristics of the MBR0520L diode.

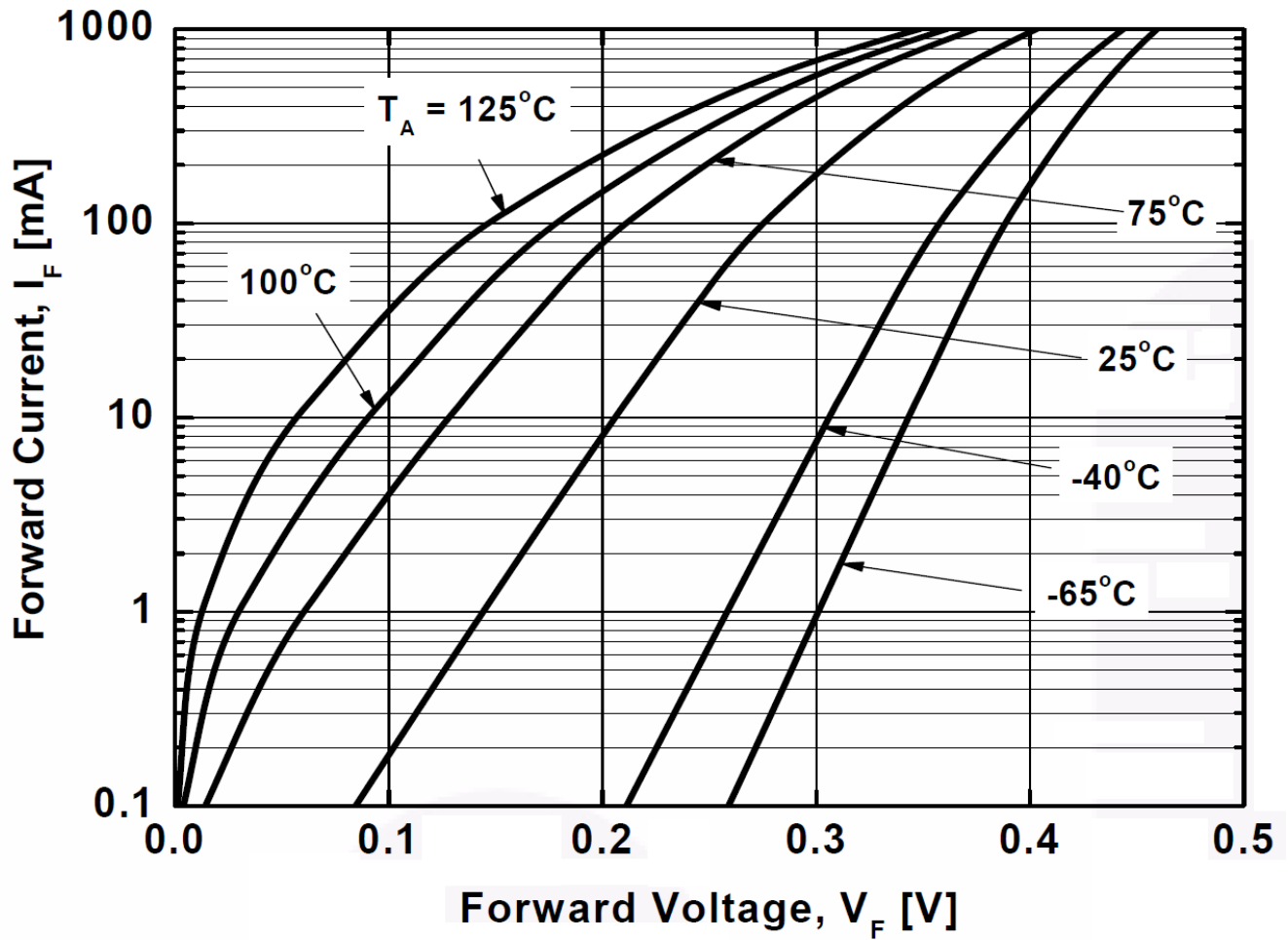


Figure 5. Forward Voltage of the Rectifier Diode

#### 4.3 Linear Regulator Selection

A linear voltage regulator is included to ensure that a stable supply voltage is delivered to the AMC1305 high side (AVDD pin). The [TLV70450](#) fits this application well because of its low quiescent current and regulation capabilities.

## 5 EVM Set-Up and Operation

This section describes the general operation of the AMC1305EVM.

### 5.1 Power and Analog Inputs: J1, J2, and J5

In the EVM default configuration, the isolated onboard supply is used. In other words, power to pin 7 of the AMC1305 is provided from the supply connected to J1 by means of an isolation transformer and the SN6501 transformer driver. This configuration provides an isolated, regulated source to the AMC1305. For power provided from high-side isolated rails (such as from a gate drive supply), move the shunt on jumper JP1 to the *Ext* position (as shown in [Figure 3](#)) so that the two-wire screw terminal at J5 can be used.

Use a voltage between 3 V dc and 5.5 V dc for the supply provided to J1 and a voltage between 4.4 V dc and 5.5 V dc for the supply provided to J5.

The analog inputs to the AMC1305EVM PCB can be applied directly to the two-wire screw terminal at J2.

#### CAUTION

Carefully review the [AMC1305 product data sheet](#) for the limitations of the analog input range, and ensure that the appropriate analog and digital supply voltages are applied before connecting any analog input to the EVM.

Note that the AMC1305EVM is designed for evaluation of the electrical characteristics of the AMC1305 only. The EVM is not meant for isolation tests and is not designed to be used in a high-voltage environment.

The transformer used to derive the isolated, unregulated power source to the LDO input has isolation ratings different from those of the AMC1305. Consult the transformer manufacturer for more information on the isolation capabilities of the transformer.

### 5.2 Device Operation

When the analog and digital power sources are applied to the AMC1305EVM, the digital output activates when an external modulator clock source is applied. The internal reference of the AMC1305 is used as the conversion reference.

Additionally, an analog input signal can be applied directly at screw terminal J2. See [Figure 1](#) for more details. [Table 1](#) lists additional details about the analog input ranges and interfaces available in the device family.

**Table 1. AMC1305 Family Information**

Product	Input Voltage Range	Interface	Input Bandwidth
AMC1305M05	±50 mV	CMOS	1 MHz
AMC1305M25	±250 mV	CMOS	1.8 MHz
AMC1305L25	±250 mV	LVDS	1.8 MHz

When the input voltage approaches the upper end of the specified full-scale range (50 mV or 250 mV, depending on the AMC1305 device type), the ones density of the modulator output approaches 90%.

When the input voltage approaches the lower end of the specified full-scale range (–50 mV or –250 mV, depending on the AMC1305 device type), the ones density of the modulator output approaches 10%.

## 6 Bill of Materials, Schematic, and Layout

This section contains the complete bill of materials (BOM), schematic diagram, and PCB layout for the AMC1305EVM.

**NOTE:** Board layouts are not to scale. These layouts are intended to show how the board is laid out and are not intended to be used for manufacturing AMC1305EVM PCBs.

### 6.1 Printed Circuit Board Layout

Figure 6 shows the PCB layout.

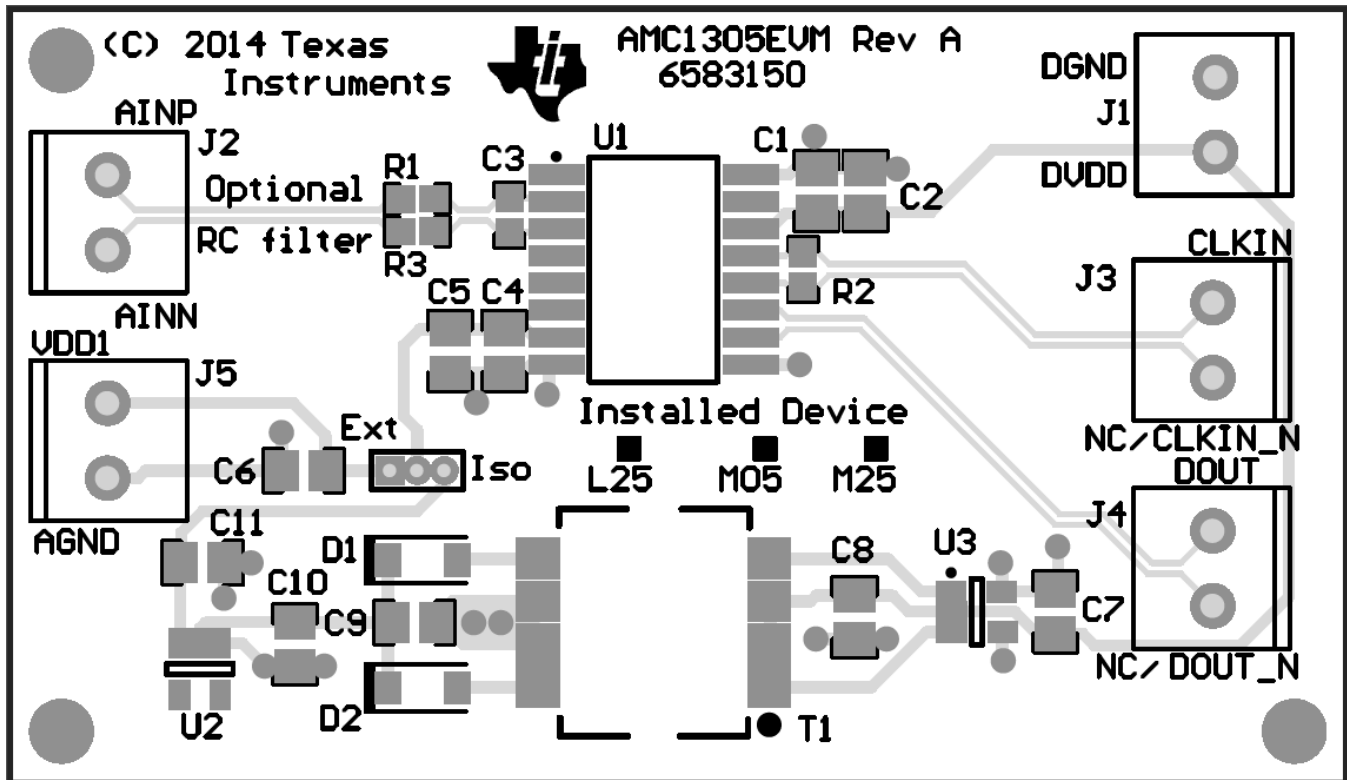


Figure 6. AMC1305EVM Silk Screen Drawing

### 6.2 Schematic

The AMC1305EVM schematic is appended to the end of this document.



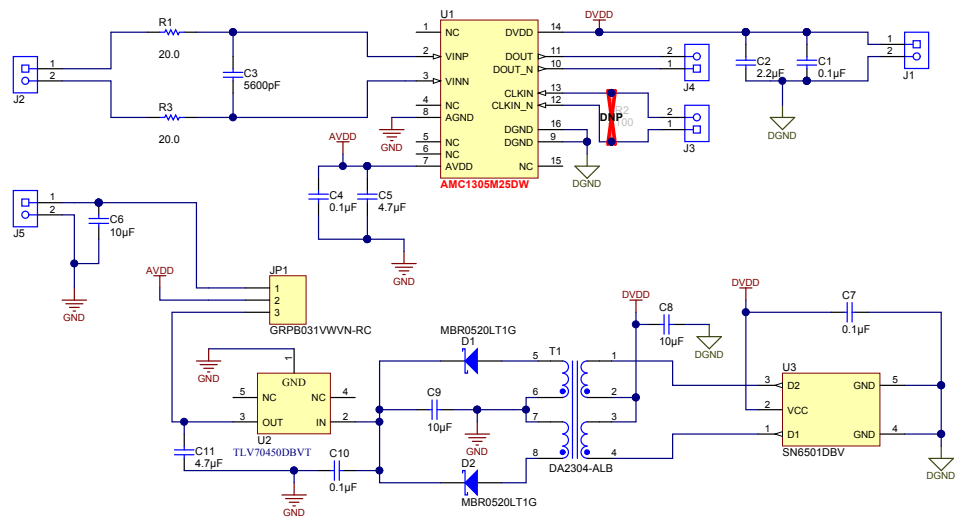
### 6.3 Bill of Materials

Note that items 14 and 16 of the bill of materials depend on the type of AMC1305 used in the EVM. Resistor R2 is populated only when the AMC1305 used is the AMC1305L25. R2 is not populated for EVMs that use the AMC1305M05 or AMC1305M25.

**Table 2. AMC1305EVM Bill of Materials**


Item	Qty			Reference Designator	Description	Manufacturer	Mfr Part Number
	L25	M05	M25				
1	1	1	1	—	Printed circuit board	Any	N/A
2	1	1	1	C2	CAP, CERM, 2.2uF, 16V, +/-10%, X7R, 0805	Taiyo Yuden	EMK212B7225KG-T
3	4	4	4	C1, C4, C7, C10	CAP, CERM, 0.1uF, 25V, +/-10%, X7R, 0805	Kemet	C0805C104K3RACTU
4	1	1	1	C3	CAP, CERM, 5600pF, 25V, +/-5%, C0G/NP0, 0603	TDK	C1608COG1E562J
5	3	3	3	C6, C8, C9	CAP, CERM, 10uF, 16V, +/-10%, X5R, 0805	Taiyo Yuden	EMK212BJ106KG-T
6	2	2	2	C5, C11	CAP, CERM, 4.7uF, 10V, +/-10%, X5R, 0805	Taiyo Yuden	LMK212BJ475KD-T
7	2	2	2	D1, D2	Diode, Schottky, 20V, 0.5A, SOD-123	ON Semiconductor	MBR0520LT1G
8	3	3	3	FID1, FID2, FID3	Fiducial mark. There is nothing to buy or mount.	N/A	N/A
9	5	5	5	J1, J2, J3, J4, J5	Conn Term Block, 2POS, 3.5mm, TH	Phoenix Contact	1751248
10	1	1	1	JP1	Header, 3-Pin	Sullins Connector Solutions	GRPB031VWVN-RC
11	2	2	2	R1, R3	RES, 20.0 ohm, 0.1%, 0.1W, 0603	Yageo America	RT0603BRD0720RL
12	1	1	1	SH-J1	Shunt, 1.27 mm	Harwin Inc	M50-2000005
13	1	1	1	T1	1:2.2 Isolation Transformer	Coilcraft	DA2304-AL
14	1	0	0	U1	Isolated delta-sigma modulator, 16-pin DW (SOIC)	Texas Instruments	AMC1305L25
	0	1	0		Isolated delta-sigma modulator, 16-pin DW (SOIC)	Texas Instruments	AMC1305M05
	0	0	1		Isolated delta-sigma modulator, 16-pin DW (SOIC)	Texas Instruments	AMC1305M25
15	1	1	1	U3	SN6501 transformer driver	Texas Instruments	SN6501
16	1	0	0	R2	RES, 100, 1%, 0.1 W, 0603. Populated only on EVMs with LVDS interface.	Yageo America	RC0603FR-07100RL
17	1	1	1	U2	LOW-POWER 150-mA LOW-DROPOUT LINEAR REGULATOR, DBV0005A	Texas Instruments	TLV70450

Revision History	
Revision	Notes



Texas Instruments and/or its licensors do not warrant the accuracy or completeness of this specification or any information contained therein. Texas Instruments and/or its licensors do not warrant that this design will meet the specifications, will be suitable for your application or fit for any particular purpose, or will operate in an implementation. Texas Instruments and/or its licensors do not warrant that the design is production worthy. You should completely validate and test your design implementation to confirm the system functionality for your application.

Designed for: Public Release		Mod. Date: 8/13/2014	
Project Title: AMC1305 Evaluation Module			
Number: 6583150	Rev: A	Sheet Title: Main Schematic	
SVN Rev: Not in version control		Assembly Variant: AMC1305EVM_M25	Sheet: 2 of 3
Drawn By: Jose Duenas		File: AMC1305_Main.Sch.Doc	Size: B
Engineer: Jose Duenas		Contact: <a href="http://www.ti.com/support">http://www.ti.com/support</a>	


  
<http://www.ti.com>
  
 © Texas Instruments 2014

## STANDARD TERMS AND CONDITIONS FOR EVALUATION MODULES

1. *Delivery:* TI delivers TI evaluation boards, kits, or modules, including any accompanying demonstration software, components, or documentation (collectively, an "EVM" or "EVMs") to the User ("User") in accordance with the terms and conditions set forth herein. Acceptance of the EVM is expressly subject to the following terms and conditions.
  - 1.1 EVMs are intended solely for product or software developers for use in a research and development setting to facilitate feasibility evaluation, experimentation, or scientific analysis of TI semiconductor products. EVMs have no direct function and are not finished products. EVMs shall not be directly or indirectly assembled as a part or subassembly in any finished product. For clarification, any software or software tools provided with the EVM ("Software") shall not be subject to the terms and conditions set forth herein but rather shall be subject to the applicable terms and conditions that accompany such Software
  - 1.2 EVMs are not intended for consumer or household use. EVMs may not be sold, sublicensed, leased, rented, loaned, assigned, or otherwise distributed for commercial purposes by Users, in whole or in part, or used in any finished product or production system.
2. *Limited Warranty and Related Remedies/Disclaimers:*
  - 2.1 These terms and conditions do not apply to Software. The warranty, if any, for Software is covered in the applicable Software License Agreement.
  - 2.2 TI warrants that the TI EVM will conform to TI's published specifications for ninety (90) days after the date TI delivers such EVM to User. Notwithstanding the foregoing, TI shall not be liable for any defects that are caused by neglect, misuse or mistreatment by an entity other than TI, including improper installation or testing, or for any EVMs that have been altered or modified in any way by an entity other than TI. Moreover, TI shall not be liable for any defects that result from User's design, specifications or instructions for such EVMs. Testing and other quality control techniques are used to the extent TI deems necessary or as mandated by government requirements. TI does not test all parameters of each EVM.
  - 2.3 If any EVM fails to conform to the warranty set forth above, TI's sole liability shall be at its option to repair or replace such EVM, or credit User's account for such EVM. TI's liability under this warranty shall be limited to EVMs that are returned during the warranty period to the address designated by TI and that are determined by TI not to conform to such warranty. If TI elects to repair or replace such EVM, TI shall have a reasonable time to repair such EVM or provide replacements. Repaired EVMs shall be warranted for the remainder of the original warranty period. Replaced EVMs shall be warranted for a new full ninety (90) day warranty period.
3. *Regulatory Notices:*
  - 3.1 *United States*
    - 3.1.1 *Notice applicable to EVMs not FCC-Approved:*

This kit is designed to allow product developers to evaluate electronic components, circuitry, or software associated with the kit to determine whether to incorporate such items in a finished product and software developers to write software applications for use with the end product. This kit is not a finished product and when assembled may not be resold or otherwise marketed unless all required FCC equipment authorizations are first obtained. Operation is subject to the condition that this product not cause harmful interference to licensed radio stations and that this product accept harmful interference. Unless the assembled kit is designed to operate under part 15, part 18 or part 95 of this chapter, the operator of the kit must operate under the authority of an FCC license holder or must secure an experimental authorization under part 5 of this chapter.
    - 3.1.2 *For EVMs annotated as FCC – FEDERAL COMMUNICATIONS COMMISSION Part 15 Compliant:*

### CAUTION

This device complies with part 15 of the FCC Rules. Operation is subject to the following two conditions: (1) This device may not cause harmful interference, and (2) this device must accept any interference received, including interference that may cause undesired operation.

Changes or modifications not expressly approved by the party responsible for compliance could void the user's authority to operate the equipment.

### FCC Interference Statement for Class A EVM devices

*NOTE: This equipment has been tested and found to comply with the limits for a Class A digital device, pursuant to part 15 of the FCC Rules. These limits are designed to provide reasonable protection against harmful interference when the equipment is operated in a commercial environment. This equipment generates, uses, and can radiate radio frequency energy and, if not installed and used in accordance with the instruction manual, may cause harmful interference to radio communications. Operation of this equipment in a residential area is likely to cause harmful interference in which case the user will be required to correct the interference at his own expense.*

## **FCC Interference Statement for Class B EVM devices**

*NOTE: This equipment has been tested and found to comply with the limits for a Class B digital device, pursuant to part 15 of the FCC Rules. These limits are designed to provide reasonable protection against harmful interference in a residential installation. This equipment generates, uses and can radiate radio frequency energy and, if not installed and used in accordance with the instructions, may cause harmful interference to radio communications. However, there is no guarantee that interference will not occur in a particular installation. If this equipment does cause harmful interference to radio or television reception, which can be determined by turning the equipment off and on, the user is encouraged to try to correct the interference by one or more of the following measures:*

- Reorient or relocate the receiving antenna.
- Increase the separation between the equipment and receiver.
- Connect the equipment into an outlet on a circuit different from that to which the receiver is connected.
- Consult the dealer or an experienced radio/TV technician for help.

### 3.2 Canada

3.2.1 For EVMs issued with an Industry Canada Certificate of Conformance to RSS-210

#### **Concerning EVMs Including Radio Transmitters:**

This device complies with Industry Canada license-exempt RSS standard(s). Operation is subject to the following two conditions: (1) this device may not cause interference, and (2) this device must accept any interference, including interference that may cause undesired operation of the device.

#### **Concernant les EVMs avec appareils radio:**

Le présent appareil est conforme aux CNR d'Industrie Canada applicables aux appareils radio exempts de licence. L'exploitation est autorisée aux deux conditions suivantes: (1) l'appareil ne doit pas produire de brouillage, et (2) l'utilisateur de l'appareil doit accepter tout brouillage radioélectrique subi, même si le brouillage est susceptible d'en compromettre le fonctionnement.

#### **Concerning EVMs Including Detachable Antennas:**

Under Industry Canada regulations, this radio transmitter may only operate using an antenna of a type and maximum (or lesser) gain approved for the transmitter by Industry Canada. To reduce potential radio interference to other users, the antenna type and its gain should be so chosen that the equivalent isotropically radiated power (e.i.r.p.) is not more than that necessary for successful communication. This radio transmitter has been approved by Industry Canada to operate with the antenna types listed in the user guide with the maximum permissible gain and required antenna impedance for each antenna type indicated. Antenna types not included in this list, having a gain greater than the maximum gain indicated for that type, are strictly prohibited for use with this device.

#### **Concernant les EVMs avec antennes détachables**

Conformément à la réglementation d'Industrie Canada, le présent émetteur radio peut fonctionner avec une antenne d'un type et d'un gain maximal (ou inférieur) approuvé pour l'émetteur par Industrie Canada. Dans le but de réduire les risques de brouillage radioélectrique à l'intention des autres utilisateurs, il faut choisir le type d'antenne et son gain de sorte que la puissance isotrope rayonnée équivalente (p.i.r.e.) ne dépasse pas l'intensité nécessaire à l'établissement d'une communication satisfaisante. Le présent émetteur radio a été approuvé par Industrie Canada pour fonctionner avec les types d'antenne énumérés dans le manuel d'usage et ayant un gain admissible maximal et l'impédance requise pour chaque type d'antenne. Les types d'antenne non inclus dans cette liste, ou dont le gain est supérieur au gain maximal indiqué, sont strictement interdits pour l'exploitation de l'émetteur.

### 3.3 Japan

3.3.1 *Notice for EVMs delivered in Japan:* Please see [http://www.tij.co.jp/lstds/ti\\_ja/general/eStore/notice\\_01.page](http://www.tij.co.jp/lstds/ti_ja/general/eStore/notice_01.page) 日本国内に輸入される評価用キット、ボードについては、次のところをご覧ください。  
[http://www.tij.co.jp/lstds/ti\\_ja/general/eStore/notice\\_01.page](http://www.tij.co.jp/lstds/ti_ja/general/eStore/notice_01.page)

3.3.2 *Notice for Users of EVMs Considered "Radio Frequency Products" in Japan:* EVMs entering Japan are NOT certified by TI as conforming to Technical Regulations of Radio Law of Japan.

If User uses EVMs in Japan, User is required by Radio Law of Japan to follow the instructions below with respect to EVMs:

1. Use EVMs in a shielded room or any other test facility as defined in the notification #173 issued by Ministry of Internal Affairs and Communications on March 28, 2006, based on Sub-section 1.1 of Article 6 of the Ministry's Rule for Enforcement of Radio Law of Japan,
2. Use EVMs only after User obtains the license of Test Radio Station as provided in Radio Law of Japan with respect to EVMs, or
3. Use of EVMs only after User obtains the Technical Regulations Conformity Certification as provided in Radio Law of Japan with respect to EVMs. Also, do not transfer EVMs, unless User gives the same notice above to the transferee. Please note that if User does not follow the instructions above, User will be subject to penalties of Radio Law of Japan.

**【無線電波を送信する製品の開発キットをお使いになる際の注意事項】**

本開発キットは技術基準適合証明を受けておりません。

本製品のご使用に際しては、電波法遵守のため、以下のいずれかの措置を取っていただく必要がありますのでご注意ください。

1. 電波法施行規則第6条第1項第1号に基づく平成18年3月28日総務省告示第173号で定められた電波暗室等の試験設備でご使用いただく。
2. 実験局の免許を取得後ご使用いただく。
3. 技術基準適合証明を取得後ご使用いただく。

なお、本製品は、上記の「ご使用にあたっての注意」を譲渡先、移転先に通知しない限り、譲渡、移転できないものとします。

上記を遵守頂けない場合は、電波法の罰則が適用される可能性があることをご留意ください。

日本テキサス・インスツルメンツ株式会社

東京都新宿区西新宿 6 丁目 2 4 番 1 号

西新宿三井ビル

3.3.3 *Notice for EVMs for Power Line Communication:* Please see [http://www.tij.co.jp/llds/ti\\_ja/general/eStore/notice\\_02.page](http://www.tij.co.jp/llds/ti_ja/general/eStore/notice_02.page)

電力線搬送波通信についての開発キットをお使いになる際の注意事項については、次のところをご覧ください。[http://www.tij.co.jp/llds/ti\\_ja/general/eStore/notice\\_02.page](http://www.tij.co.jp/llds/ti_ja/general/eStore/notice_02.page)

4 *EVM Use Restrictions and Warnings:*

4.1 EVMS ARE NOT FOR USE IN FUNCTIONAL SAFETY AND/OR SAFETY CRITICAL EVALUATIONS, INCLUDING BUT NOT LIMITED TO EVALUATIONS OF LIFE SUPPORT APPLICATIONS.

4.2 User must read and apply the user guide and other available documentation provided by TI regarding the EVM prior to handling or using the EVM, including without limitation any warning or restriction notices. The notices contain important safety information related to, for example, temperatures and voltages.

4.3 *Safety-Related Warnings and Restrictions:*

4.3.1 User shall operate the EVM within TI's recommended specifications and environmental considerations stated in the user guide, other available documentation provided by TI, and any other applicable requirements and employ reasonable and customary safeguards. Exceeding the specified performance ratings and specifications (including but not limited to input and output voltage, current, power, and environmental ranges) for the EVM may cause personal injury or death, or property damage. If there are questions concerning performance ratings and specifications, User should contact a TI field representative prior to connecting interface electronics including input power and intended loads. Any loads applied outside of the specified output range may also result in unintended and/or inaccurate operation and/or possible permanent damage to the EVM and/or interface electronics. Please consult the EVM user guide prior to connecting any load to the EVM output. If there is uncertainty as to the load specification, please contact a TI field representative. During normal operation, even with the inputs and outputs kept within the specified allowable ranges, some circuit components may have elevated case temperatures. These components include but are not limited to linear regulators, switching transistors, pass transistors, current sense resistors, and heat sinks, which can be identified using the information in the associated documentation. When working with the EVM, please be aware that the EVM may become very warm.

4.3.2 EVMs are intended solely for use by technically qualified, professional electronics experts who are familiar with the dangers and application risks associated with handling electrical mechanical components, systems, and subsystems. User assumes all responsibility and liability for proper and safe handling and use of the EVM by User or its employees, affiliates, contractors or designees. User assumes all responsibility and liability to ensure that any interfaces (electronic and/or mechanical) between the EVM and any human body are designed with suitable isolation and means to safely limit accessible leakage currents to minimize the risk of electrical shock hazard. User assumes all responsibility and liability for any improper or unsafe handling or use of the EVM by User or its employees, affiliates, contractors or designees.

4.4 User assumes all responsibility and liability to determine whether the EVM is subject to any applicable international, federal, state, or local laws and regulations related to User's handling and use of the EVM and, if applicable, User assumes all responsibility and liability for compliance in all respects with such laws and regulations. User assumes all responsibility and liability for proper disposal and recycling of the EVM consistent with all applicable international, federal, state, and local requirements.

5. *Accuracy of Information:* To the extent TI provides information on the availability and function of EVMs, TI attempts to be as accurate as possible. However, TI does not warrant the accuracy of EVM descriptions, EVM availability or other information on its websites as accurate, complete, reliable, current, or error-free.

6. *Disclaimers:*
- 6.1 EXCEPT AS SET FORTH ABOVE, EVMS AND ANY WRITTEN DESIGN MATERIALS PROVIDED WITH THE EVM (AND THE DESIGN OF THE EVM ITSELF) ARE PROVIDED "AS IS" AND "WITH ALL FAULTS." TI DISCLAIMS ALL OTHER WARRANTIES, EXPRESS OR IMPLIED, REGARDING SUCH ITEMS, INCLUDING BUT NOT LIMITED TO ANY IMPLIED WARRANTIES OF MERCHANTABILITY OR FITNESS FOR A PARTICULAR PURPOSE OR NON-INFRINGEMENT OF ANY THIRD PARTY PATENTS, COPYRIGHTS, TRADE SECRETS OR OTHER INTELLECTUAL PROPERTY RIGHTS.
- 6.2 EXCEPT FOR THE LIMITED RIGHT TO USE THE EVM SET FORTH HEREIN, NOTHING IN THESE TERMS AND CONDITIONS SHALL BE CONSTRUED AS GRANTING OR CONFERRING ANY RIGHTS BY LICENSE, PATENT, OR ANY OTHER INDUSTRIAL OR INTELLECTUAL PROPERTY RIGHT OF TI, ITS SUPPLIERS/LICENSORS OR ANY OTHER THIRD PARTY, TO USE THE EVM IN ANY FINISHED END-USER OR READY-TO-USE FINAL PRODUCT, OR FOR ANY INVENTION, DISCOVERY OR IMPROVEMENT MADE, CONCEIVED OR ACQUIRED PRIOR TO OR AFTER DELIVERY OF THE EVM.
7. *USER'S INDEMNITY OBLIGATIONS AND REPRESENTATIONS.* USER WILL DEFEND, INDEMNIFY AND HOLD TI, ITS LICENSORS AND THEIR REPRESENTATIVES HARMLESS FROM AND AGAINST ANY AND ALL CLAIMS, DAMAGES, LOSSES, EXPENSES, COSTS AND LIABILITIES (COLLECTIVELY, "CLAIMS") ARISING OUT OF OR IN CONNECTION WITH ANY HANDLING OR USE OF THE EVM THAT IS NOT IN ACCORDANCE WITH THESE TERMS AND CONDITIONS. THIS OBLIGATION SHALL APPLY WHETHER CLAIMS ARISE UNDER STATUTE, REGULATION, OR THE LAW OF TORT, CONTRACT OR ANY OTHER LEGAL THEORY, AND EVEN IF THE EVM FAILS TO PERFORM AS DESCRIBED OR EXPECTED.
8. *Limitations on Damages and Liability:*
- 8.1 *General Limitations.* IN NO EVENT SHALL TI BE LIABLE FOR ANY SPECIAL, COLLATERAL, INDIRECT, PUNITIVE, INCIDENTAL, CONSEQUENTIAL, OR EXEMPLARY DAMAGES IN CONNECTION WITH OR ARISING OUT OF THESE TERMS AND CONDITIONS OR THE USE OF THE EVMS PROVIDED HEREUNDER, REGARDLESS OF WHETHER TI HAS BEEN ADVISED OF THE POSSIBILITY OF SUCH DAMAGES. EXCLUDED DAMAGES INCLUDE, BUT ARE NOT LIMITED TO, COST OF REMOVAL OR REINSTALLATION, ANCILLARY COSTS TO THE PROCUREMENT OF SUBSTITUTE GOODS OR SERVICES, RETESTING, OUTSIDE COMPUTER TIME, LABOR COSTS, LOSS OF GOODWILL, LOSS OF PROFITS, LOSS OF SAVINGS, LOSS OF USE, LOSS OF DATA, OR BUSINESS INTERRUPTION. NO CLAIM, SUIT OR ACTION SHALL BE BROUGHT AGAINST TI MORE THAN ONE YEAR AFTER THE RELATED CAUSE OF ACTION HAS OCCURRED.
- 8.2 *Specific Limitations.* IN NO EVENT SHALL TI'S AGGREGATE LIABILITY FROM ANY WARRANTY OR OTHER OBLIGATION ARISING OUT OF OR IN CONNECTION WITH THESE TERMS AND CONDITIONS, OR ANY USE OF ANY TI EVM PROVIDED HEREUNDER, EXCEED THE TOTAL AMOUNT PAID TO TI FOR THE PARTICULAR UNITS SOLD UNDER THESE TERMS AND CONDITIONS WITH RESPECT TO WHICH LOSSES OR DAMAGES ARE CLAIMED. THE EXISTENCE OF MORE THAN ONE CLAIM AGAINST THE PARTICULAR UNITS SOLD TO USER UNDER THESE TERMS AND CONDITIONS SHALL NOT ENLARGE OR EXTEND THIS LIMIT.
9. *Return Policy.* Except as otherwise provided, TI does not offer any refunds, returns, or exchanges. Furthermore, no return of EVM(s) will be accepted if the package has been opened and no return of the EVM(s) will be accepted if they are damaged or otherwise not in a resalable condition. If User feels it has been incorrectly charged for the EVM(s) it ordered or that delivery violates the applicable order, User should contact TI. All refunds will be made in full within thirty (30) working days from the return of the components(s), excluding any postage or packaging costs.
10. *Governing Law:* These terms and conditions shall be governed by and interpreted in accordance with the laws of the State of Texas, without reference to conflict-of-laws principles. User agrees that non-exclusive jurisdiction for any dispute arising out of or relating to these terms and conditions lies within courts located in the State of Texas and consents to venue in Dallas County, Texas. Notwithstanding the foregoing, any judgment may be enforced in any United States or foreign court, and TI may seek injunctive relief in any United States or foreign court.

Mailing Address: Texas Instruments, Post Office Box 655303, Dallas, Texas 75265  
Copyright © 2014, Texas Instruments Incorporated

## IMPORTANT NOTICE

Texas Instruments Incorporated and its subsidiaries (TI) reserve the right to make corrections, enhancements, improvements and other changes to its semiconductor products and services per JESD46, latest issue, and to discontinue any product or service per JESD48, latest issue. Buyers should obtain the latest relevant information before placing orders and should verify that such information is current and complete. All semiconductor products (also referred to herein as "components") are sold subject to TI's terms and conditions of sale supplied at the time of order acknowledgment.

TI warrants performance of its components to the specifications applicable at the time of sale, in accordance with the warranty in TI's terms and conditions of sale of semiconductor products. Testing and other quality control techniques are used to the extent TI deems necessary to support this warranty. Except where mandated by applicable law, testing of all parameters of each component is not necessarily performed.

TI assumes no liability for applications assistance or the design of Buyers' products. Buyers are responsible for their products and applications using TI components. To minimize the risks associated with Buyers' products and applications, Buyers should provide adequate design and operating safeguards.

TI does not warrant or represent that any license, either express or implied, is granted under any patent right, copyright, mask work right, or other intellectual property right relating to any combination, machine, or process in which TI components or services are used. Information published by TI regarding third-party products or services does not constitute a license to use such products or services or a warranty or endorsement thereof. Use of such information may require a license from a third party under the patents or other intellectual property of the third party, or a license from TI under the patents or other intellectual property of TI.

Reproduction of significant portions of TI information in TI data books or data sheets is permissible only if reproduction is without alteration and is accompanied by all associated warranties, conditions, limitations, and notices. TI is not responsible or liable for such altered documentation. Information of third parties may be subject to additional restrictions.

Resale of TI components or services with statements different from or beyond the parameters stated by TI for that component or service voids all express and any implied warranties for the associated TI component or service and is an unfair and deceptive business practice. TI is not responsible or liable for any such statements.

Buyer acknowledges and agrees that it is solely responsible for compliance with all legal, regulatory and safety-related requirements concerning its products, and any use of TI components in its applications, notwithstanding any applications-related information or support that may be provided by TI. Buyer represents and agrees that it has all the necessary expertise to create and implement safeguards which anticipate dangerous consequences of failures, monitor failures and their consequences, lessen the likelihood of failures that might cause harm and take appropriate remedial actions. Buyer will fully indemnify TI and its representatives against any damages arising out of the use of any TI components in safety-critical applications.

In some cases, TI components may be promoted specifically to facilitate safety-related applications. With such components, TI's goal is to help enable customers to design and create their own end-product solutions that meet applicable functional safety standards and requirements. Nonetheless, such components are subject to these terms.

No TI components are authorized for use in FDA Class III (or similar life-critical medical equipment) unless authorized officers of the parties have executed a special agreement specifically governing such use.

Only those TI components which TI has specifically designated as military grade or "enhanced plastic" are designed and intended for use in military/aerospace applications or environments. Buyer acknowledges and agrees that any military or aerospace use of TI components which have **not** been so designated is solely at the Buyer's risk, and that Buyer is solely responsible for compliance with all legal and regulatory requirements in connection with such use.

TI has specifically designated certain components as meeting ISO/TS16949 requirements, mainly for automotive use. In any case of use of non-designated products, TI will not be responsible for any failure to meet ISO/TS16949.

### Products

Audio	<a href="http://www.ti.com/audio">www.ti.com/audio</a>
Amplifiers	<a href="http://amplifier.ti.com">amplifier.ti.com</a>
Data Converters	<a href="http://dataconverter.ti.com">dataconverter.ti.com</a>
DLP® Products	<a href="http://www.dlp.com">www.dlp.com</a>
DSP	<a href="http://dsp.ti.com">dsp.ti.com</a>
Clocks and Timers	<a href="http://www.ti.com/clocks">www.ti.com/clocks</a>
Interface	<a href="http://interface.ti.com">interface.ti.com</a>
Logic	<a href="http://logic.ti.com">logic.ti.com</a>
Power Mgmt	<a href="http://power.ti.com">power.ti.com</a>
Microcontrollers	<a href="http://microcontroller.ti.com">microcontroller.ti.com</a>
RFID	<a href="http://www.ti-rfid.com">www.ti-rfid.com</a>
OMAP Applications Processors	<a href="http://www.ti.com/omap">www.ti.com/omap</a>
Wireless Connectivity	<a href="http://www.ti.com/wirelessconnectivity">www.ti.com/wirelessconnectivity</a>

### Applications

Automotive and Transportation	<a href="http://www.ti.com/automotive">www.ti.com/automotive</a>
Communications and Telecom	<a href="http://www.ti.com/communications">www.ti.com/communications</a>
Computers and Peripherals	<a href="http://www.ti.com/computers">www.ti.com/computers</a>
Consumer Electronics	<a href="http://www.ti.com/consumer-apps">www.ti.com/consumer-apps</a>
Energy and Lighting	<a href="http://www.ti.com/energy">www.ti.com/energy</a>
Industrial	<a href="http://www.ti.com/industrial">www.ti.com/industrial</a>
Medical	<a href="http://www.ti.com/medical">www.ti.com/medical</a>
Security	<a href="http://www.ti.com/security">www.ti.com/security</a>
Space, Avionics and Defense	<a href="http://www.ti.com/space-avionics-defense">www.ti.com/space-avionics-defense</a>
Video and Imaging	<a href="http://www.ti.com/video">www.ti.com/video</a>

### TI E2E Community

[e2e.ti.com](http://e2e.ti.com)