

Push-Button Circuit

Albert Lo

ABSTRACT

This application report details a push-button circuit that can be used in tandem with a power management integrated circuit (PMIC) to turn on and turn off the processor. The SN74LVC1G175 device is a D-type flip-flop with an asynchronous clear. The circuit differentiates between short presses (to turn on the PMIC) and long presses (to turn off the PMIC).

Contents

1	Introduction	2
2	Schematic.....	2
	2.1 Power-On Process.....	2
	2.2 Power-Off Process.....	3
3	Selecting Delay Time.....	3
4	Waveforms.....	4
5	Bill of Materials	5
6	Conclusion	5
7	Related Documentation	6

List of Figures

1	Push-Button Schematic.....	2
2	RC Delay.....	3
3	Turnon With Button Press	4
4	Turnoff With Button Hold	4
5	Quick Turnaround Between On and Off	5

List of Tables

1	D-Type Flip-Flop Function Table	2
2	Capacitor Size Effect Regarding Turnoff Time	3
3	BOM	5

Trademarks

All trademarks are the property of their respective owners.

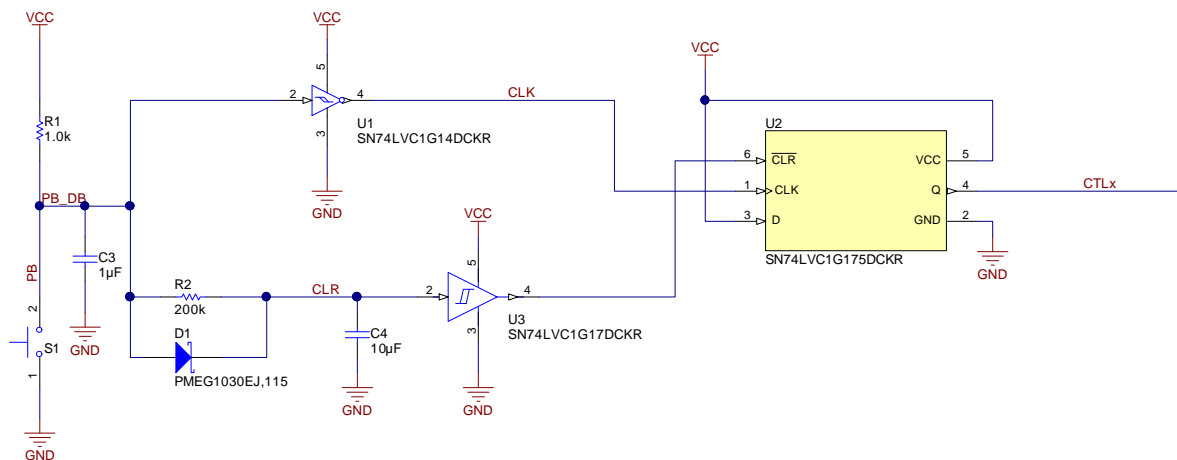
1 Introduction

This push-button circuit can be used with a wide variety of PMICs. For example, this circuit can be used to drive a control pin, which enables and disables the buck converters, for the TPS65086 device. This application report describes the required components and a detailed description on how the circuit operates. The typical operating range for this circuit is from 1.65 V to 5.5 V. The input voltage can come from the same source powering the PMIC, or from the PMIC itself. The input voltage for the SN74LVC1G175 device must not exceed the maximum voltage of the control pins on the target device. If the input voltage does exceed the maximum voltage, then a level shift is required to match the operating voltage of the control pins.

The SN74LVC1G175 device, which has an asynchronous clear, is the D-type flip-flop chosen for this circuit. Using the asynchronous clear, the SN74LVC1G175 device can set the output low regardless of the clock. This functionality allows the circuit to differentiate between a short and long press.

2 Schematic

Figure 1 shows a schematic of the push-button circuit.



Copyright © 2017, Texas Instruments Incorporated

Figure 1. Push-Button Schematic

2.1 Power-On Process

The initial state of the circuit has the CLR signal set to high (H). Table 1 shows this setting, where the CLR signal must be set to high for a write to occur at the rising edge of the clock.

Table 1. D-Type Flip-Flop Function Table

INPUTS			OUTPUT Q
CLR	CLK	D	
H	↑	L	L
H	↑	H	H
H	H or L	X	Q0
L	X	X	L

To set the CTLx signal high, press the button which forces the debounced push-button signal (PB_DB) to go low and the CLK signal to go high. The CLR signal starts to go low but because the R2 resistor and C4 capacitor create an RC delay which causes the CLR signal to decay slowly. With a short button press, the CLR signal does not go low, which allows for the CTLx signal to go high when the button is pressed. The CTLx signal remains high even if the button is pressed again after the initial press.

2.2 Power-Off Process

The power-off process starts by holding the button down for a longer time. The button must be held longer than the RC delay defined by R2 and C4. When the button is held long enough, the CLR signal goes low enough to fit the conditions for the asynchronous clear to occur, which sets the CTLx signal to low. If necessary, a quick turnaround time can occur from the time the processor turns off to the time it can be turned on again because of diode D1.

3 Selecting Delay Time

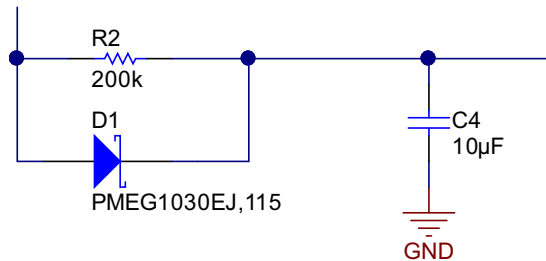


Figure 2. RC Delay

For the power-off process the button must be held down for a short period of time, and this time is dictated by the RC delay of R2 and C4 (see Figure 2). The simple formula, $\tau = RC$, gives a good estimate as to what the turnoff time will be. However, the number calculated is greater than the actual turnoff time because the capacitor does not need to fully discharge for the D-type flip-flop to detect the CLR signal as low. Typically, the RC delay is the time for a capacitor to get to about 36.8% of a fully charged capacitor, but in the far right column of Table 2 all the percentages are greater than 36.8%. Therefore the $\tau = RC$ equation is a good estimate of the turnoff time; however, the actual turnoff time is less than the RC time constant. Use Equation 1 to determine the turnoff voltage based on the turnoff time acquired through testing and the RC constant.

When choosing the capacitor value, do not choose a capacitor that is too small. A small capacitor makes the delay so small that both the CLR and CLK signals go low during the time used to release the button which allows the CTLx signal to go high for a brief moment before going low shortly thereafter.

$$V(t) = V_0 e^{-t/\tau}$$

where

- V_0 = voltage at time zero (VCC)
- t = time
- τ = RC time constant

(1)

Table 2. Capacitor Size Effect Regarding Turnoff Time

Capacitor (μF)	Measured Turnoff Time (ms)	RC Constant (ms) R = 200 k Ω	Turnoff Voltage (V)	Remaining Charge Percentage (V/V_0)
2.2	412	440	1.29	39.21%
3.3	600	660	1.33	40.29%
4.7	764	940	1.46	44.36%
10	1420	2000	1.62	49.16%
22	3260	4400	1.57	47.67%
33	4500	6600	1.67	50.57%
47	6600	9400	1.64	49.55%
100	14000	20000	1.64	49.66%

4 Waveforms

In [Figure 3](#), the initial press sets the CLK signal to high. This press also turns on the output CTLx signal. The CLR signal remains high and only dips slightly because of the RC delay that is present in the circuit. Another observation is that while the CTLx signal is high, any short presses after the initial turnon does not effect the output.

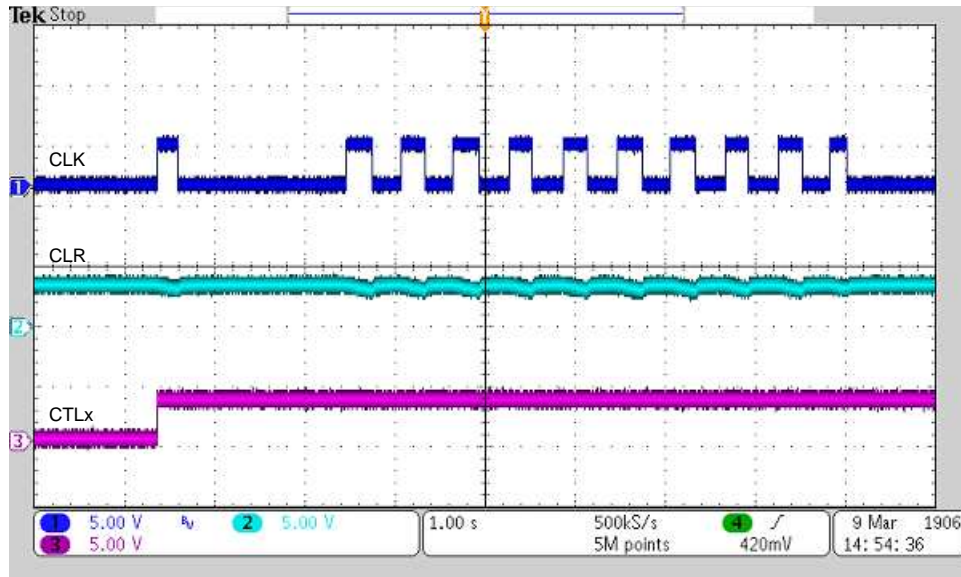


Figure 3. Turnon With Button Press

In [Figure 4](#), the button is held long enough for the CLR signal to decay enough that the D-type flip-flop now detects the CLR signal as low. When the CLR signal goes low, it also forces the CTLx signal to go low and turns off whatever it is connected to (for example, a PMIC).

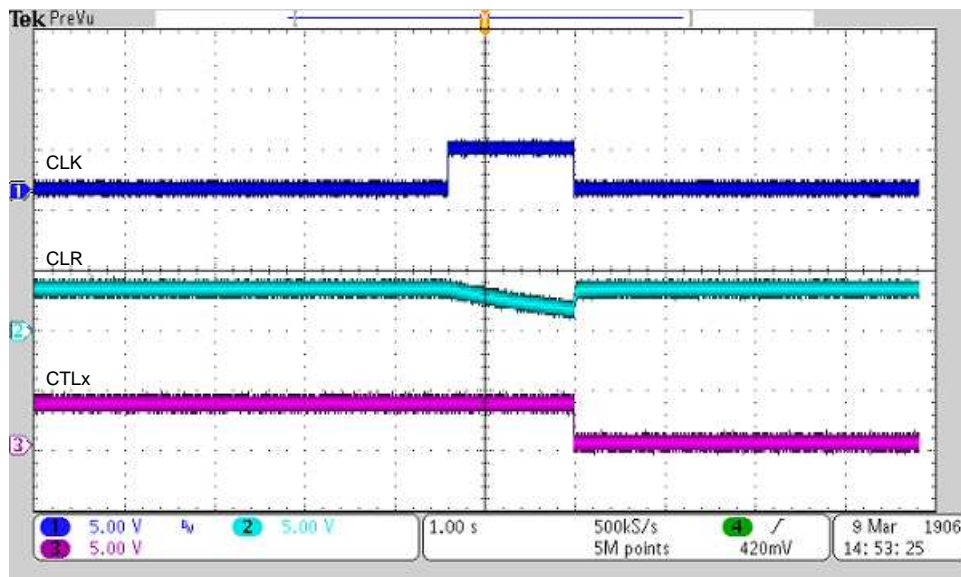


Figure 4. Turnoff With Button Hold

In Figure 5, the CTLx signal is turned off and then turned on shortly afterward. This action is partly because of the diode in place with the RC circuit, which allows the short time between turnoff and turnon and between turnon and turnoff.

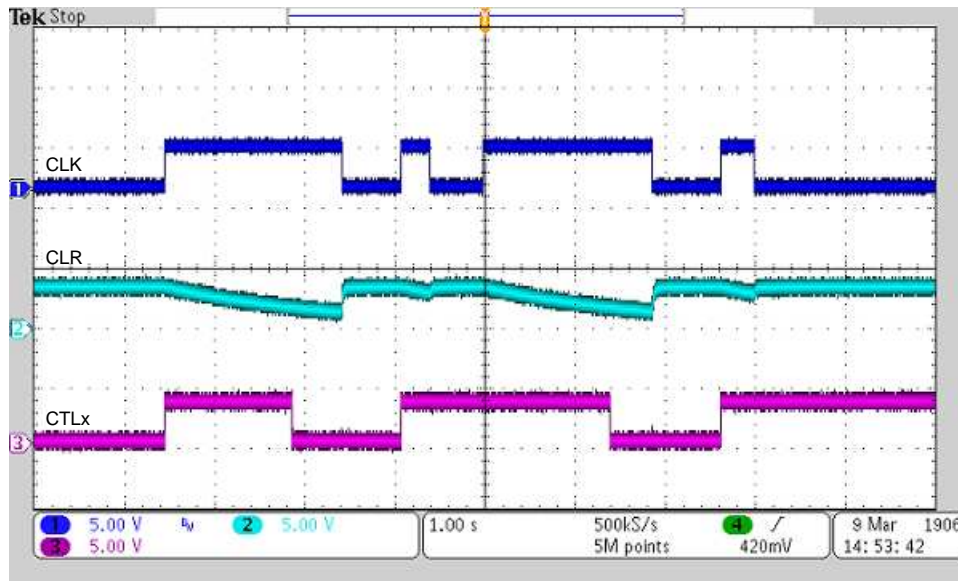


Figure 5. Quick Turnaround Between On and Off

5 Bill of Materials

Table 3 lists the bill of materials (BOM).

Table 3. BOM

Count	Reference Designator	Value	Description	Size	Part Number	MFR
3	C1 – C3	1 μ F	Capacitor, Ceramic, 6.3 V, X5R, 20%	0201	GRM033R60J105MEA2D	Murata
1	C4	10 μ F	Capacitor, Ceramic, 6.3 V, X5R, 20%	0402	C1005X5R0J106M050BC	TDK
1	D1	10 V	Diode, Schottky, 10 V, 3 A	SOD-323F	PMEG1030EJ,115	NXP
1	R1	1 k Ω	RES, Chip, 5%, 0.063W	0402	CRCW04021K00JNED	Vishay
1	R2	200 k Ω	RES, Chip, 5%, 0.063W	0402	CRCW0402200KJNED	Vishay
1	S1	—	Switch, Push-Button, SMD	—	SKRKAEE010	ALPS
1	U1	—	Single Schmitt-Trigger Inverter	—	SN74VC1G14DCKR	TI
1	U2	—	Single D-Type Flip-Flop with Asynchronous Clear	—	SN74VC1G175DCKR	TI
1	U3	—	Single Schmitt-Trigger Buffer	—	SN74LVC1G17DCKR	TI

6 Conclusion

The push-button circuit is a simple circuit that allows for a system to turn on with a short button press and turn off when the button is held down. As mentioned previously, this circuit pairs well with PMICs, because the PMIC can provide input voltage or both the push-button circuit and the PMIC can be powered from the same source. In conclusion, the push-button circuit is a simple addition to a PMIC circuit that requires few parts with a small footprint on the board.

7 Related Documentation

1. Texas Instruments, [SN74LVC1G175 Single D-Type Flip-Flop with Asynchronous Clear data sheet](#)
2. Texas Instruments, [SN74LVC1G14 Single Schmitt-Trigger Inverter data sheet](#)
3. Texas Instruments, [SN74LVC1G17 Single Schmitt-Trigger Buffer data sheet](#)
4. Texas Instruments, [TPS65086 Configurable Multirail PMU for Multicore Processors data sheet](#)

Revision History

NOTE: Page numbers for previous revisions may differ from page numbers in the current version.

Changes from A Revision (July 2017) to B Revision	Page
• Changed the <i>Push-Button Schematic</i>	2

IMPORTANT NOTICE FOR TI DESIGN INFORMATION AND RESOURCES

Texas Instruments Incorporated ("TI") technical, application or other design advice, services or information, including, but not limited to, reference designs and materials relating to evaluation modules, (collectively, "TI Resources") are intended to assist designers who are developing applications that incorporate TI products; by downloading, accessing or using any particular TI Resource in any way, you (individually or, if you are acting on behalf of a company, your company) agree to use it solely for this purpose and subject to the terms of this Notice.

TI's provision of TI Resources does not expand or otherwise alter TI's applicable published warranties or warranty disclaimers for TI products, and no additional obligations or liabilities arise from TI providing such TI Resources. TI reserves the right to make corrections, enhancements, improvements and other changes to its TI Resources.

You understand and agree that you remain responsible for using your independent analysis, evaluation and judgment in designing your applications and that you have full and exclusive responsibility to assure the safety of your applications and compliance of your applications (and of all TI products used in or for your applications) with all applicable regulations, laws and other applicable requirements. You represent that, with respect to your applications, you have all the necessary expertise to create and implement safeguards that (1) anticipate dangerous consequences of failures, (2) monitor failures and their consequences, and (3) lessen the likelihood of failures that might cause harm and take appropriate actions. You agree that prior to using or distributing any applications that include TI products, you will thoroughly test such applications and the functionality of such TI products as used in such applications. TI has not conducted any testing other than that specifically described in the published documentation for a particular TI Resource.

You are authorized to use, copy and modify any individual TI Resource only in connection with the development of applications that include the TI product(s) identified in such TI Resource. NO OTHER LICENSE, EXPRESS OR IMPLIED, BY ESTOPPEL OR OTHERWISE TO ANY OTHER TI INTELLECTUAL PROPERTY RIGHT, AND NO LICENSE TO ANY TECHNOLOGY OR INTELLECTUAL PROPERTY RIGHT OF TI OR ANY THIRD PARTY IS GRANTED HEREIN, including but not limited to any patent right, copyright, mask work right, or other intellectual property right relating to any combination, machine, or process in which TI products or services are used. Information regarding or referencing third-party products or services does not constitute a license to use such products or services, or a warranty or endorsement thereof. Use of TI Resources may require a license from a third party under the patents or other intellectual property of the third party, or a license from TI under the patents or other intellectual property of TI.

TI RESOURCES ARE PROVIDED "AS IS" AND WITH ALL FAULTS. TI DISCLAIMS ALL OTHER WARRANTIES OR REPRESENTATIONS, EXPRESS OR IMPLIED, REGARDING TI RESOURCES OR USE THEREOF, INCLUDING BUT NOT LIMITED TO ACCURACY OR COMPLETENESS, TITLE, ANY EPIDEMIC FAILURE WARRANTY AND ANY IMPLIED WARRANTIES OF MERCHANTABILITY, FITNESS FOR A PARTICULAR PURPOSE, AND NON-INFRINGEMENT OF ANY THIRD PARTY INTELLECTUAL PROPERTY RIGHTS.

TI SHALL NOT BE LIABLE FOR AND SHALL NOT DEFEND OR INDEMNIFY YOU AGAINST ANY CLAIM, INCLUDING BUT NOT LIMITED TO ANY INFRINGEMENT CLAIM THAT RELATES TO OR IS BASED ON ANY COMBINATION OF PRODUCTS EVEN IF DESCRIBED IN TI RESOURCES OR OTHERWISE. IN NO EVENT SHALL TI BE LIABLE FOR ANY ACTUAL, DIRECT, SPECIAL, COLLATERAL, INDIRECT, PUNITIVE, INCIDENTAL, CONSEQUENTIAL OR EXEMPLARY DAMAGES IN CONNECTION WITH OR ARISING OUT OF TI RESOURCES OR USE THEREOF, AND REGARDLESS OF WHETHER TI HAS BEEN ADVISED OF THE POSSIBILITY OF SUCH DAMAGES.

You agree to fully indemnify TI and its representatives against any damages, costs, losses, and/or liabilities arising out of your non-compliance with the terms and provisions of this Notice.

This Notice applies to TI Resources. Additional terms apply to the use and purchase of certain types of materials, TI products and services. These include; without limitation, TI's standard terms for semiconductor products (<http://www.ti.com/sc/docs/stdterms.htm>), [evaluation modules](#), and [samples](http://www.ti.com/sc/docs/sampterm.htm) (<http://www.ti.com/sc/docs/sampterm.htm>).

Mailing Address: Texas Instruments, Post Office Box 655303, Dallas, Texas 75265
Copyright © 2017, Texas Instruments Incorporated