

Functional Safety Information  
**LMR36502 and LMR36501**  
**Functional Safety FIT Rate, FMD and Pin FMA**

---



**Table of Contents**

<b>1 Overview</b> .....	<b>2</b>
<b>2 Functional Safety Failure In Time (FIT) Rates</b> .....	<b>3</b>
2.1 LMR36502.....	3
2.2 LMR36501.....	3
<b>3 Failure Mode Distribution (FMD)</b> .....	<b>5</b>
<b>4 Pin Failure Mode Analysis (Pin FMA)</b> .....	<b>6</b>

**Trademarks**

All trademarks are the property of their respective owners.

# 1 Overview

This document contains information for LMR36502 and LMR36501<sup>1</sup> (VQFN-HR package) to aid in a functional safety system design. Information provided are:

- Functional Safety Failure In Time (FIT) rates of the semiconductor component estimated by the application of industry reliability standards
- Component failure modes and their distribution (FMD) based on the primary function of the device
- Pin failure mode analysis (Pin FMA)

Figure 1-1 shows the device functional block diagram for reference.

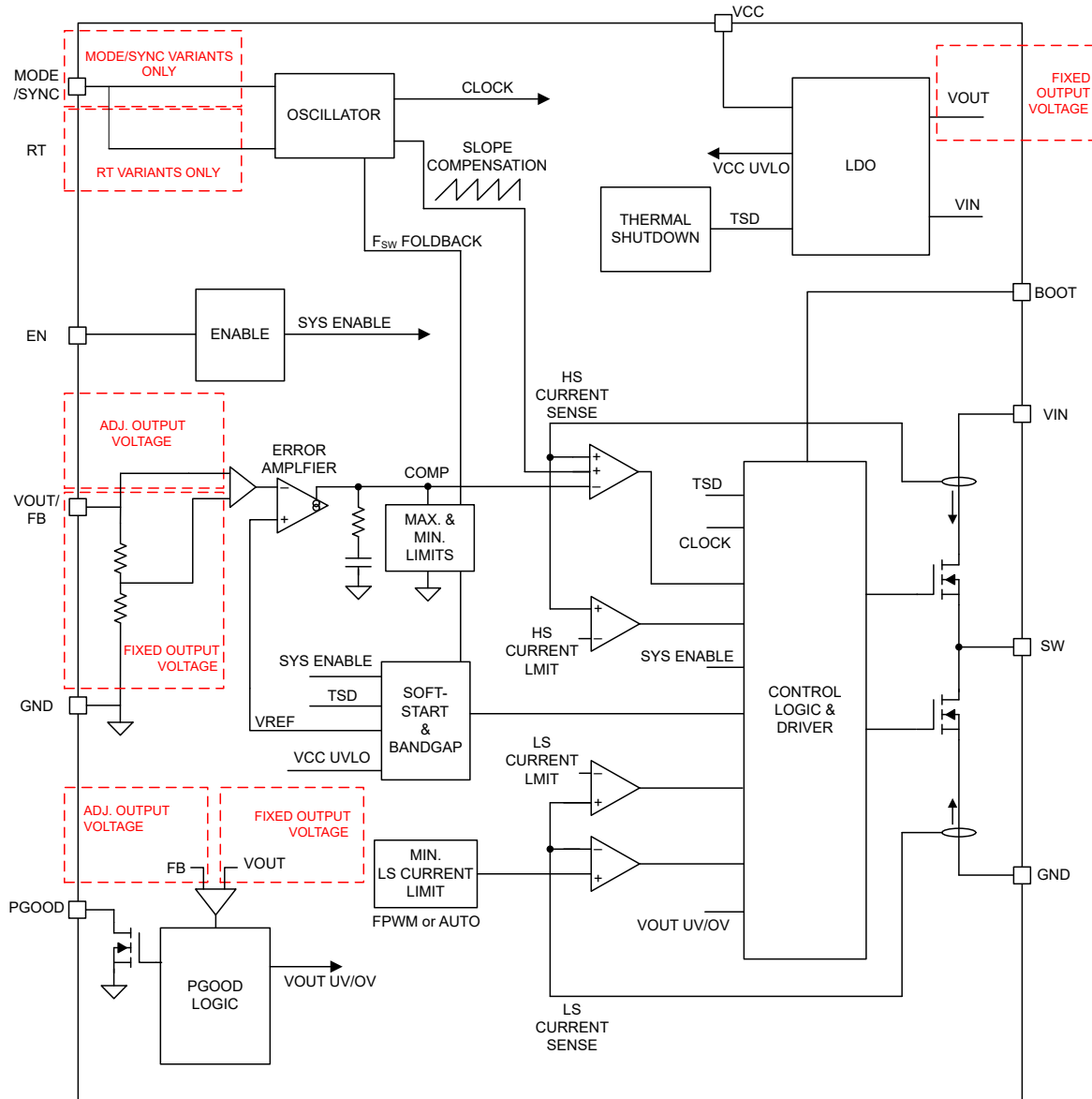


Figure 1-1. Functional Block Diagram

LMR36502 and LMR36501 were developed using a quality-managed development process, but was not developed in accordance with the IEC 61508 or ISO 26262 standards.

<sup>1</sup> LMR36501 is in product preview status

## 2 Functional Safety Failure In Time (FIT) Rates

### 2.1 LMR36502

This section provides Functional Safety Failure In Time (FIT) rates for LMR36502 based on two different industry-wide used reliability standards:

- [Table 2-1](#) provides FIT rates based on IEC TR 62380 / ISO 26262 part 11
- [Table 2-2](#) provides FIT rates based on the Siemens Norm SN 29500-2

**Table 2-1. Component Failure Rates per IEC TR 62380 / ISO 26262 Part 11**

FIT IEC TR 62380 / ISO 26262	FIT (Failures Per 10 <sup>9</sup> Hours)
Total Component FIT Rate	11
Die FIT Rate	4
Package FIT Rate	7

The failure rate and mission profile information in [Table 2-1](#) comes from the Reliability data handbook IEC TR 62380 / ISO 26262 part 11:

- Mission Profile: Motor Control from Table 11
- Power dissipation: 140 mW
- Climate type: World-wide Table 8
- Package factor (lambda 3): Table 17b
- Substrate Material: FR4
- EOS FIT rate assumed: 0 FIT

**Table 2-2. Component Failure Rates per Siemens Norm SN 29500-2**

Table	Category	Reference FIT Rate	Reference Virtual T <sub>J</sub>
5	CMOS/ BICMOS ASICs Analog & Mixed HV >50V supply	30 FIT	75°C

The Reference FIT Rate and Reference Virtual T<sub>J</sub> (junction temperature) in [Table 2-2](#) come from the Siemens Norm SN 29500-2 tables 1 through 5. Failure rates under operating conditions are calculated from the reference failure rate and virtual junction temperature using conversion information in SN 29500-2 section 4.

### 2.2 LMR36501

This section provides Functional Safety Failure In Time (FIT) rates for LMR36501<sup>2</sup> based on two different industry-wide used reliability standards:

- [Table 2-3](#) provides FIT rates based on IEC TR 62380 / ISO 26262 part 11
- [Table 2-4](#) provides FIT rates based on the Siemens Norm SN 29500-2

**Table 2-3. Component Failure Rates per IEC TR 62380 / ISO 26262 Part 11**

FIT IEC TR 62380 / ISO 26262	FIT (Failures Per 10 <sup>9</sup> Hours)
Total Component FIT Rate	11
Die FIT Rate	4
Package FIT Rate	7

The failure rate and mission profile information in [Table 2-3](#) comes from the Reliability data handbook IEC TR 62380 / ISO 26262 part 11:

- Mission Profile: Motor Control from Table 11
- Power dissipation: 130 mW
- Climate type: World-wide Table 8
- Package factor (lambda 3): Table 17b
- Substrate Material: FR4
- EOS FIT rate assumed: 0 FIT

<sup>2</sup> LMR36501 is in product preview status

**Table 2-4. Component Failure Rates per Siemens Norm SN 29500-2**

Table	Category	Reference FIT Rate	Reference Virtual T <sub>J</sub>
5	CMOS/ BICMOS ASICs Analog & Mixed HV >50-V supply	30 FIT	75°C

The Reference FIT Rate and Reference Virtual T<sub>J</sub> (junction temperature) in [Table 2-4](#) come from the Siemens Norm SN 29500-2 tables 1 through 5. Failure rates under operating conditions are calculated from the reference failure rate and virtual junction temperature using conversion information in SN 29500-2 section 4.

### 3 Failure Mode Distribution (FMD)

The failure mode distribution estimation for LMR36502 and LMR36501<sup>3</sup> in [Table 3-1](#) comes from the combination of common failure modes listed in standards such as IEC 61508 and ISO 26262, the ratio of sub-circuit function size and complexity and from best engineering judgment.

The failure modes listed in this section reflect random failure events and do not include failures due to misuse or overstress.

**Table 3-1. Die Failure Modes and Distribution**

Die Failure Modes	Failure Mode Distribution (%)
No Output Voltage	60%
Output not in specification - voltage or timing	30%
Gate Driver stuck on	5%
Power Good - False Trip or Failure to Trip	5%

The FMD in [Table 3-1](#) excludes short circuit faults across the isolation barrier. Faults for short circuit across the isolation barrier can be excluded according to ISO 61800-5-2:2016 if the following requirements are fulfilled:

1. The signal isolation component is OVC III according to IEC 61800-5-1. If a SELV/PELV power supply is used, pollution degree 2/OVC II applies. All requirements of IEC 61800-5-1:2007, 4.3.6 apply.
2. Measures are taken to ensure that an internal failure of the signal isolation component cannot result in excessive temperature of its insulating material.

Creepage and clearance requirements should be applied according to the specific equipment isolation standards of an application. Care should be taken to maintain the creepage and clearance distance of a board design to ensure that the mounting pads of the isolator on the printed-circuit board do not reduce this distance.

<sup>3</sup> LMR36501 is in product preview status

## 4 Pin Failure Mode Analysis (Pin FMA)

This section provides a Failure Mode Analysis (FMA) for the pins of the LMR36502 and LMR36501<sup>4</sup>. The failure modes covered in this document include the typical pin-by-pin failure scenarios:

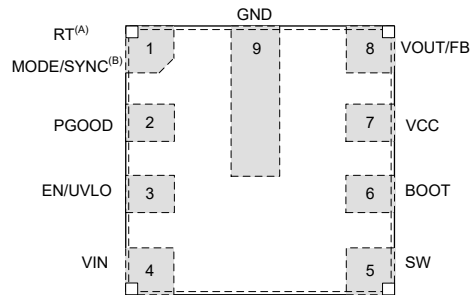
- Pin short-circuited to Ground (see [Table 4-2](#))
- Pin open-circuited (see [Table 4-3](#))
- Pin short-circuited to an adjacent pin (see [Table 4-4](#))
- Pin short-circuited to supply (see [Table 4-5](#))

[Table 4-2](#) through [Table 4-5](#) also indicate how these pin conditions can affect the device as per the failure effects classification in [Table 4-1](#).

**Table 4-1. TI Classification of Failure Effects**

Class	Failure Effects
A	Potential device damage that affects functionality
B	No device damage, but loss of functionality
C	No device damage, but performance degradation
D	No device damage, no impact to functionality or performance

[Figure 4-1](#) shows the LMR36502 and LMR36501 pin diagram. For a detailed description of the device pins please refer to the *Pin Configuration and Functions* section in the LMR36502 and LMR36501 data sheet.



A. See the *data sheet* for more details. Pin 1 trimmed and factory-set for externally adjustable switching frequency RT variants only.

B. Pin 1 factory-set for fixed switching frequency MODE/SYNC variants only.

**Figure 4-1. Pin Diagram**

**Table 4-2. Pin FMA for Device Pins Short-Circuited to Ground**

Pin Name	Pin No.	Description of Potential Failure Effect(s)	Failure Effect Class
RT or MODE	1	Switching Frequency is 2.2 MHz	D
PGOOD	2	When not in use can be left grounded (PGOOD is not a valid signal, VOUT normal)	D
EN/UVLO	3	VOUT = 0 V (Enable is off, functionality is halted)	D
VIN	4	VOUT = 0 V	B
SW	5	Damage HSFET	A
BOOT	6	VOUT = 0 V, HS will not turn on	B
VCC	7	VOUT = 0 V	B
VOUT/FB	8	VOUT = 0 V	B
GND	9	VOUT normal	D

<sup>4</sup> LMR36501 is in product preview status

**Table 4-3. Pin FMA for Device Pins Open-Circuited**

Pin Name	Pin No.	Description of Potential Failure Effect(s)	Failure Effect Class
RT or MODE	1	For an RT part, frequency will not be defined. For a MODE/SYNC part, then the part can switch back and forth between FPWM/PFM.	C
PGOOD	2	When not in use, can be left open (PGOOD is not a valid signal, VOUT normal)	D
EN/UVLO	3	Pin cannot be left floating	B
VIN	4	VOUT = 0 V	B
SW	5	VOUT = 0 V	B
BOOT	6	VOUT = 0, HS will not turn on	B
VCC	7	VCC output will be unstable, can increase above 5.5 V	A
VOUT/FB	8	VOUT will be abnormal. Do not float this pin.	C
GND	9	VOUT can be abnormal, as reference voltage is not fixed	B

**Table 4-4. Pin FMA for Device Pins Short-Circuited to Adjacent Pin**

Pin Name	Pin No.	Shorted to	Description of Potential Failure Effect(s)	Failure Effect Class
RT or MODE	1	PGOOD	If PGOOD is high, and less than 5.5 V Fsw = 1 MHz; If PGOOD is low, Fsw = 2.2 MHz. RT pin will become damaged if PG exceeds 5.5 V.	A
PGOOD	2	EN/UVLO	If EN/UVLO > 20 V, it will damage devices connected to PGOOD pin.	A
EN/UVLO	3	VIN	VOUT normal (Enable is on, all other blocks will work)	D
VIN	4	SW	Damage LSFET	A
SW	5	BOOT	VOUT = 0 V, HS will not turn on, no Cboot	B
BOOT	6	VCC	Damage will occur, break VCC Pin	A
VCC	7	VOUT/FB	If VOUT/FB voltage is less than 5.5 V, then no damage will occur.	B
VOUT/BIAS or FB	8	GND	VOUT = 0 V	B
GND	9	RT or MODE	If RT pin is already low, then the part is functional. Otherwise abnormal behavior. No damage to part.	B

**Table 4-5. Pin FMA for Device Pins Short-Circuited to supply**

Pin Name	Pin No.	Description of Potential Failure Effect(s)	Failure Effect Class
RT or MODE	1	If Vin > 5.5 V, damage will occur. If Vin < 5.5 V, refer to the data sheet.	A
PGOOD	2	If VIN > 20 V, damage will occur.	A
EN/UVLO	3	VOUT normal (Enable is on, all other blocks will work).	D
VIN	4	VOUT normal.	D
SW	5	Damage LSFET.	A
BOOT	6	Damage will occur, BOOT ESD clamp will be damaged.	A
VCC	7	If Vin > 5.5, damage will occur.	A
VOUT/FB	8	If VIN > 16 V, damage will occur.	A
GND	9	VOUT = 0 V	B

## IMPORTANT NOTICE AND DISCLAIMER

TI PROVIDES TECHNICAL AND RELIABILITY DATA (INCLUDING DATA SHEETS), DESIGN RESOURCES (INCLUDING REFERENCE DESIGNS), APPLICATION OR OTHER DESIGN ADVICE, WEB TOOLS, SAFETY INFORMATION, AND OTHER RESOURCES "AS IS" AND WITH ALL FAULTS, AND DISCLAIMS ALL WARRANTIES, EXPRESS AND IMPLIED, INCLUDING WITHOUT LIMITATION ANY IMPLIED WARRANTIES OF MERCHANTABILITY, FITNESS FOR A PARTICULAR PURPOSE OR NON-INFRINGEMENT OF THIRD PARTY INTELLECTUAL PROPERTY RIGHTS.

These resources are intended for skilled developers designing with TI products. You are solely responsible for (1) selecting the appropriate TI products for your application, (2) designing, validating and testing your application, and (3) ensuring your application meets applicable standards, and any other safety, security, regulatory or other requirements.

These resources are subject to change without notice. TI grants you permission to use these resources only for development of an application that uses the TI products described in the resource. Other reproduction and display of these resources is prohibited. No license is granted to any other TI intellectual property right or to any third party intellectual property right. TI disclaims responsibility for, and you will fully indemnify TI and its representatives against, any claims, damages, costs, losses, and liabilities arising out of your use of these resources.

TI's products are provided subject to [TI's Terms of Sale](#) or other applicable terms available either on [ti.com](https://www.ti.com) or provided in conjunction with such TI products. TI's provision of these resources does not expand or otherwise alter TI's applicable warranties or warranty disclaimers for TI products.

TI objects to and rejects any additional or different terms you may have proposed.

Mailing Address: Texas Instruments, Post Office Box 655303, Dallas, Texas 75265  
Copyright © 2023, Texas Instruments Incorporated