

# EVM User's Guide: TUSB1021Q1-EVM

## TUSB1021-Q1 Evaluation Module



### Description

The TUSB1021Q1-EVM is a linear re-driving switch that supports data rates up to 10Gbps. This device uses 5th generation USB re-driver technology. The TUSB1021Q1-EVM can be used with a host/hub upstream with two devices and hubs downstream to demonstrate the mixture of the multiplexer capabilities with the re-driving capabilities that the TUSB1021-Q1 can provide.

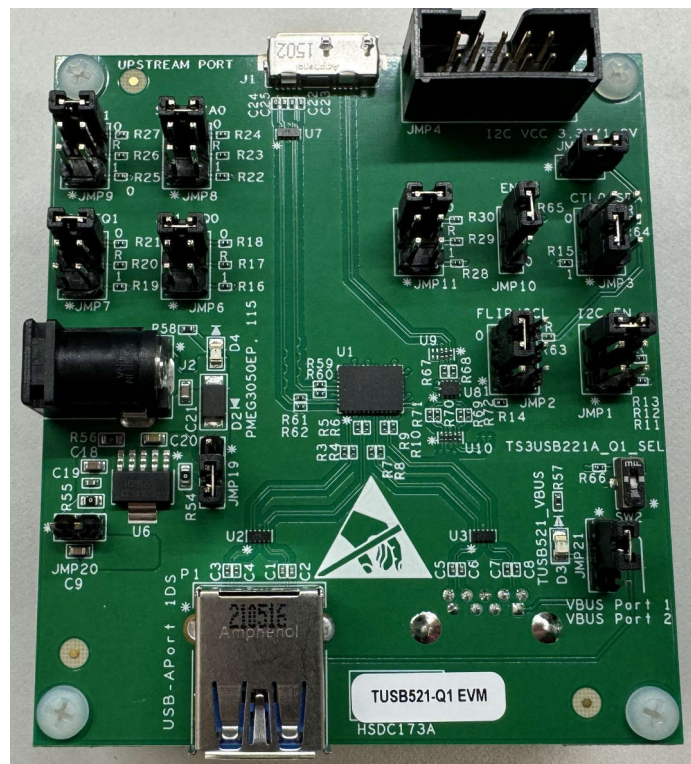
### Features

- USB Type-C® 2:1 or 1:2 re-driver MUX
- Two downstream USB-A ports and one upstream USB3.2 USB micro-B port
- Supports USB 3.2 up to 10Gbps
- Ultra-low-power architecture
- Linear re-driver with up to 12dB equalization at 5GHz

- Sixteen equalization settings
- Configuration through GPIO or I<sup>2</sup>C
- Supports either 1.8V or 3.3V I<sup>2</sup>C signaling levels
- Hot-plug capable
- No host or device side requirement
- Operates from a single 3.3V supply
- Automotive grade 2 temperature range: -40°C to 105°C
- Package: 5mm × 7mm, 0.5mm pitch VQFN

### Applications

- [PC and notebooks](#)
- [TV](#)
- [Gaming](#)
- [Home theater and entertainment](#)
- [Smart phones](#)
- [Tablets](#)



TUSB1021Q1-EVM

# 1 Evaluation Module Overview

## 1.1 Introduction

The TUSB1021Q1-EVM comes with two USB3.2 Type-A receptacles for connecting to downstream devices/hubs, and a USB3.2 Micro-B receptacle for connecting to any upstream host/hub.

This user's guide describes how to bring up the EVM, and includes schematics that can be used as a reference design for implementations of the TUSB1021-Q1 in a system

## 1.2 Kit Contents

The TUSB1021Q1-EVM includes:

- The TUSB1021-Q1 device
- Two USB3.2 Type-A receptacles that connect to a downstream device
- A USB3.2 Micro-B connector for connecting to an upstream device/source
- Standard 5V barrel jack power source receptacle
- Headers for configuring various TUSB1021-Q1 features

## 1.3 Specification

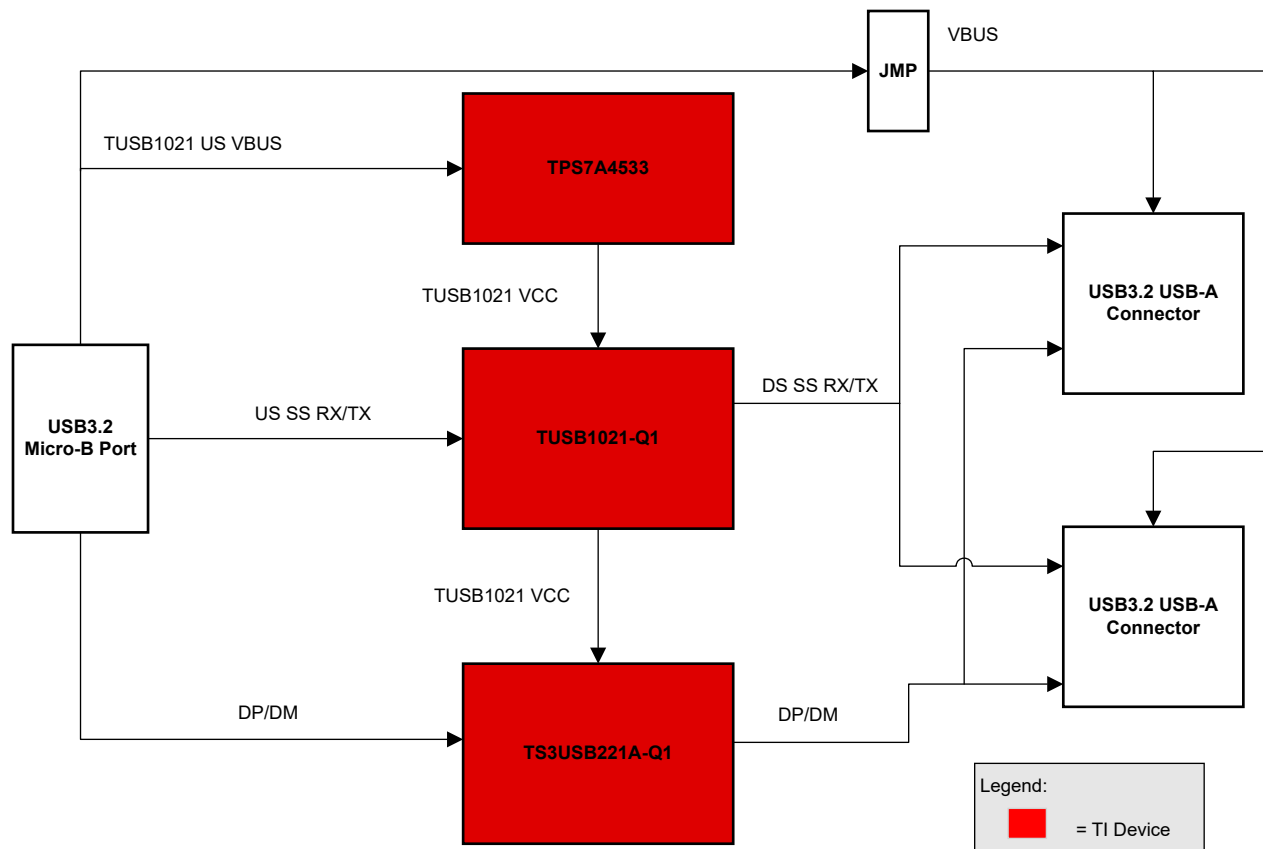


Figure 1-1. TUSB1021Q1-EVM Block Diagram

## 1.4 Device Information

The TUSB1021-Q1 is a linear redriver with 1:2 DeMUX or 2:1 MUX function for USB Type-C applications. The TUSB1021-Q1 is intended to reside between a Host and a USB-C receptacle or between a USB device and a USB-C receptacle. The TUSB1021-Q1 supports USB 3.2 data rates up to 10Gbps and supports USB 3.2 low power states (disconnect, U1, U2, and U3).

## 2 Hardware

### 2.1 Setup

[Table 2-1](#) lists the default configurations on each configurable pin when the EVM is provided. These configurations settings must be further customized by the user to properly account for the amount of loss that can be present in a system. The EVM is configured to have GPIO mode enabled by default. If I<sup>2</sup>C is desired, users can change the JMP1 to connect pins 1 and 2 and remove the shunt between pins 5 and 6. The EVM comes with I<sup>2</sup>C V<sub>CC</sub> set to 3.3V. For 1.8V, an external voltage source must be used to connect to pin 2 of JMP5.

**Table 2-1. TUSB1021-Q1 EVM Default Pin Configuration**

Designator	Function	Default Configuration
JMP1	I2C_EN	Shunt on pins 5 and 6 (GPIO mode)
JMP2	FLIP/SCL	Shunt on pins 3 and 5 (normal)
JMP3	CTL0/SDA	Shunt on pins 1 and 3 (USB enabled)
JMP5	I2C VCC	Shunt on pins 1 and 2 (I2C 3.3V)
JMP6	EQ0	Shunt on pins 5 and 6 (0)
JMP7	EQ1	Shunt on pins 5 and 6 (0)
JMP8	SSEQ0/A0	Shunt on pins 5 and 6 (0)
JMP9	SSEQ1	Shunt on pins 5 and 6 (0)
JMP10	EN	Shunt on pins 1 and 2 (device enabled)
JMP11	A1	Shunt on pins 5 and 6 (0)
JMP19	Power source select	Shunt on pins 2 and 3 (VBUS powered)
JMP21	VBUS Select	Shunt on pins 1 and 2 (VBUS to port 1)
SW2	TS3USB221 S	Pulled to position 1 and 2 (USB2 Port 1)

Before selecting a port to use, set up the JMP2, JMP21, and SW2 accordingly.

For Port 1:

1. Use a shunt to connect pins 3 and 5 on the JMP2 (Flip/SCL) jumper to pull the SW2 pin down
2. Use a shunt to connect pins 1 and 2 on the JMP21 (VBUS select) to send VBUS to Port 1
3. Pull the SW2 (TS3USB221 S) pin down and connect pins 1 and 2 to send the USB2 signals to Port 1

For Port 2:

1. Use a shunt to connect pins 1 and 3 on the JMP2 (Flip/SCL) jumper to pull the SW2 pin up
2. Use a shunt to connect pins 2 and 3 on the JMP21 (VBUS select) to send VBUS to Port 2
3. Pull the SW2 (TS3USB221 S) pin up and connect pins 2 and 3 to send the USB2 signals to Port 2

### 2.2 Equalization Control

Equalization (EQ) can be controlled using I<sup>2</sup>C or pin-strapping. Each of the TUSB1021-Q1 receiver lanes has individual controls for receiver equalization (see [Table 2-2](#)). Reference the TUSB1021-Q1 data sheet for the gain values of each available combination of downstream and upstream configurations.

**Table 2-2. Configuration Pin-Level Definitions**

Level	Settings
0	Option 1: Tie 1kΩ 5% to GND
	Option 2: Tie directly to GND
R	Tie 20kΩ 5% to GND
F	Float (leave pin open)
1	Option 1: Tie 1kΩ 5% to VCC
	Option 2: Tie directly to VCC

The EQ0/1 pins affect the receiver EQ setting of the upstream-facing RX1 and RX2 ports, while the SSEQ0/1 pins affect the receiver EQ setting of the downstream-facing SSTX port.

### 3 Hardware Design Files

#### 3.1 Schematics

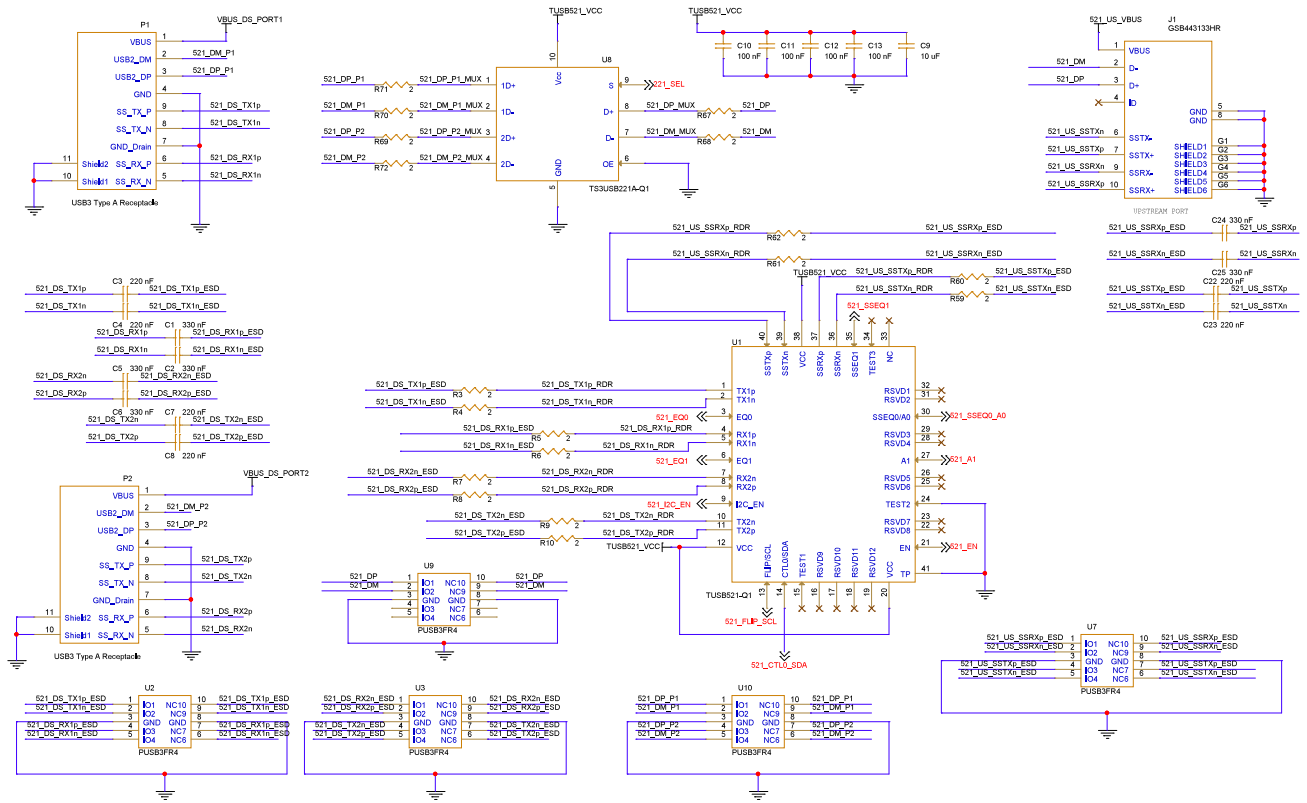


Figure 3-1. Schematic Page 1

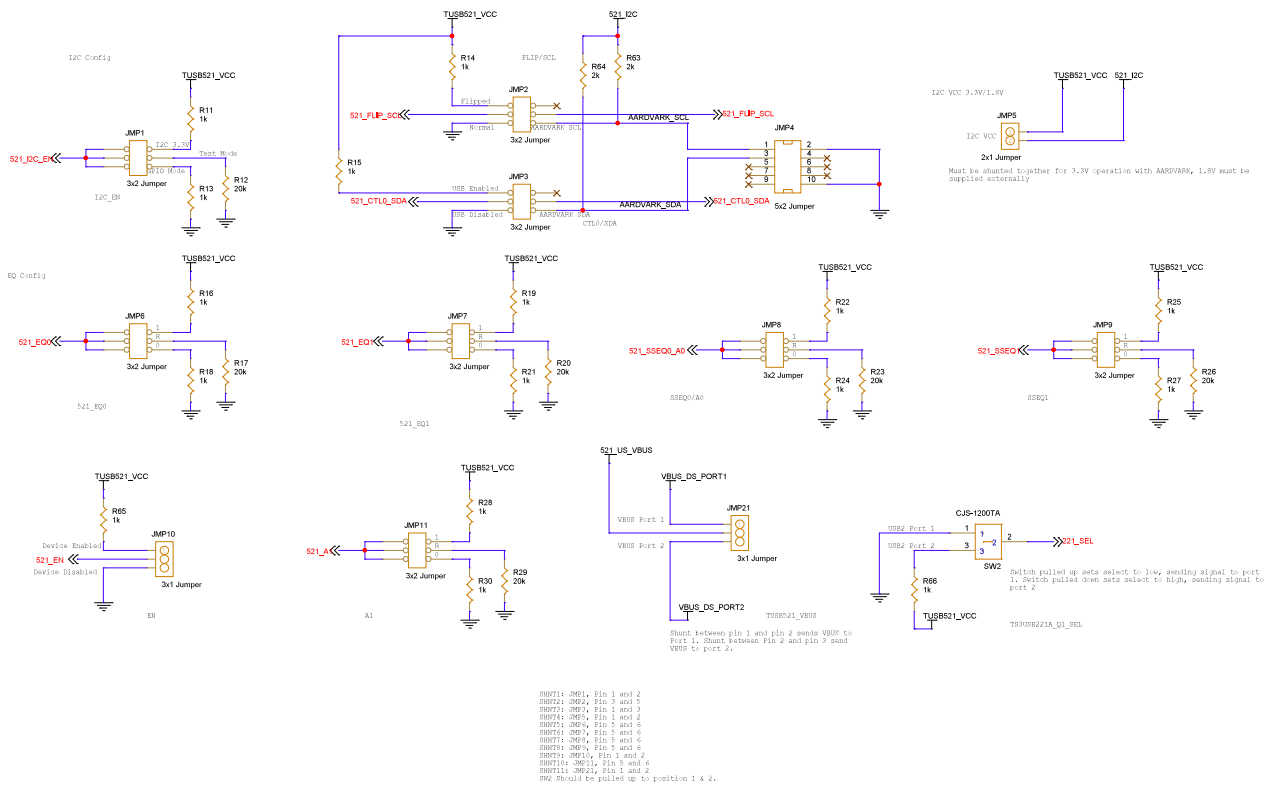


Figure 3-2. Schematic Page 2

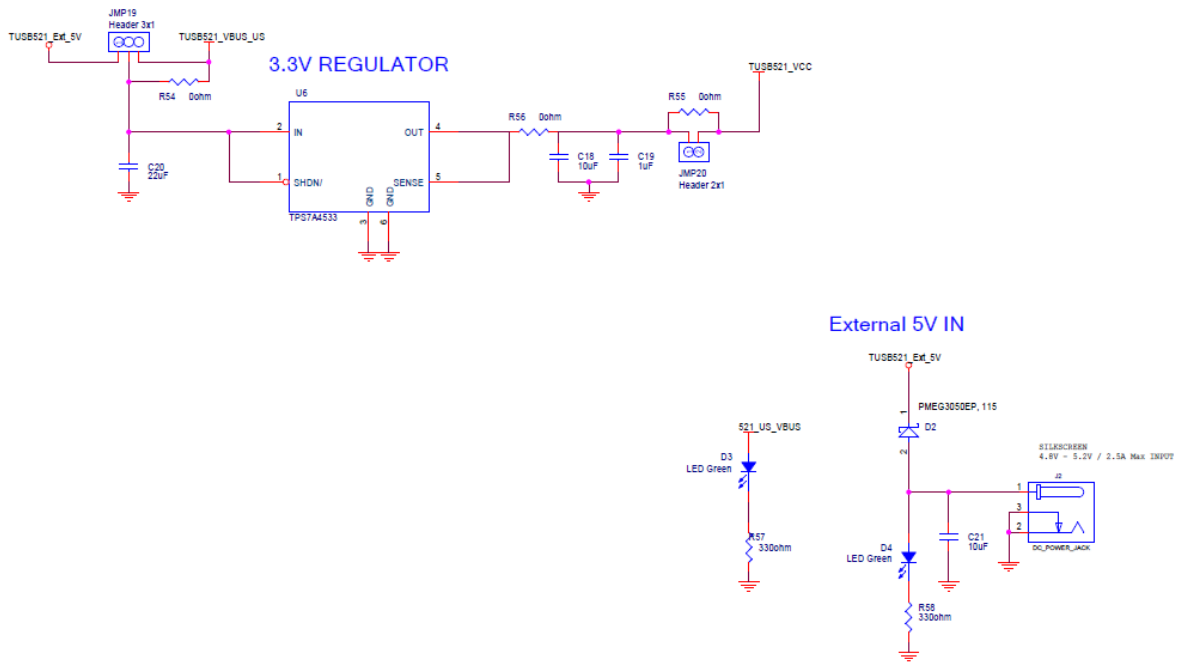


Figure 3-3. Schematic Page 3

### 3.2 PCB Layouts

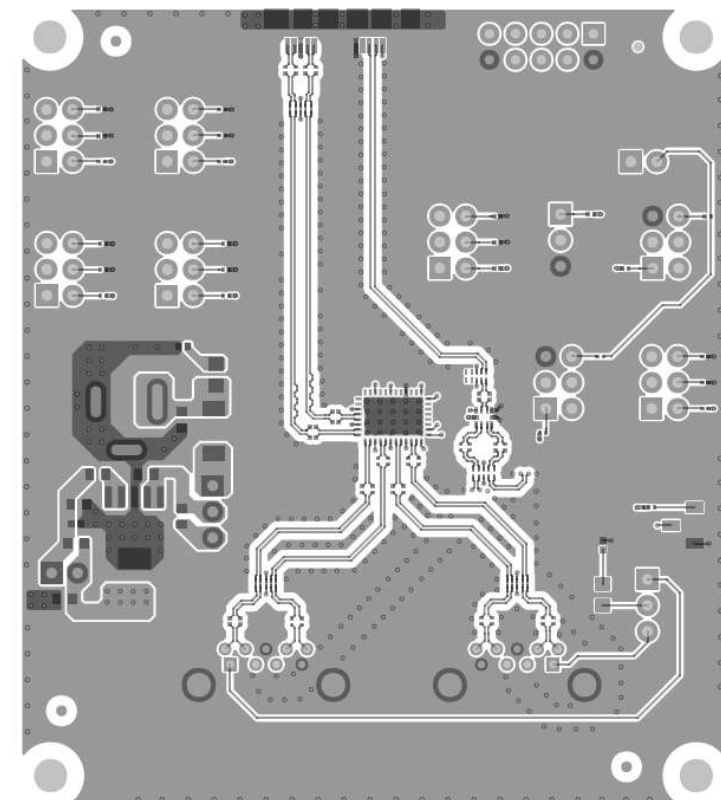


Figure 3-4. TUSB1021Q1-EVM PCB Layer 1 (Top)

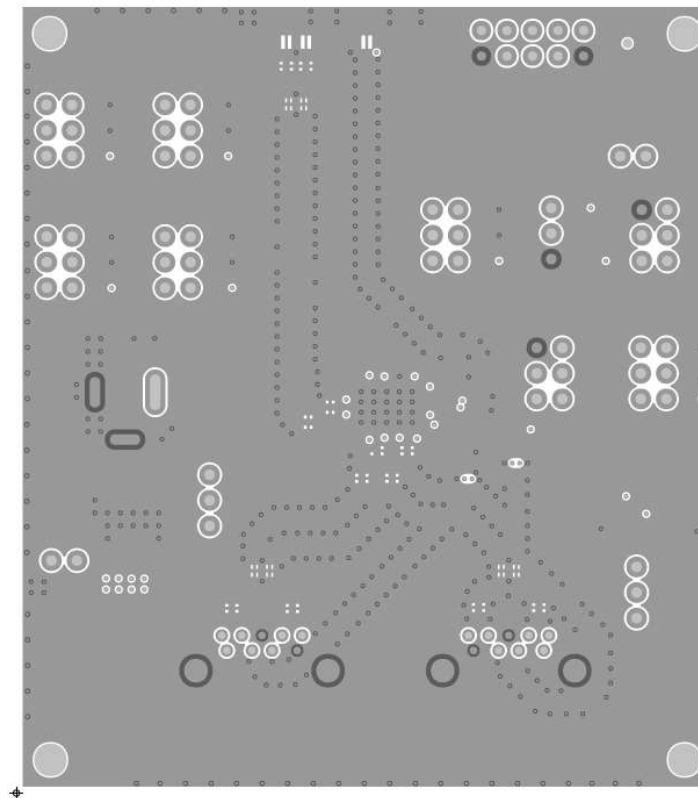
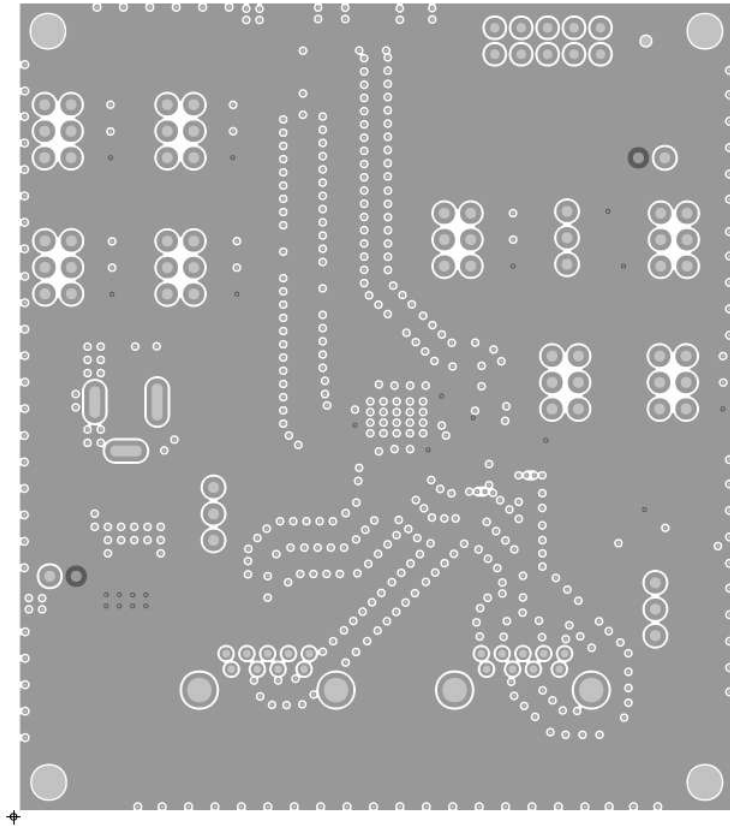
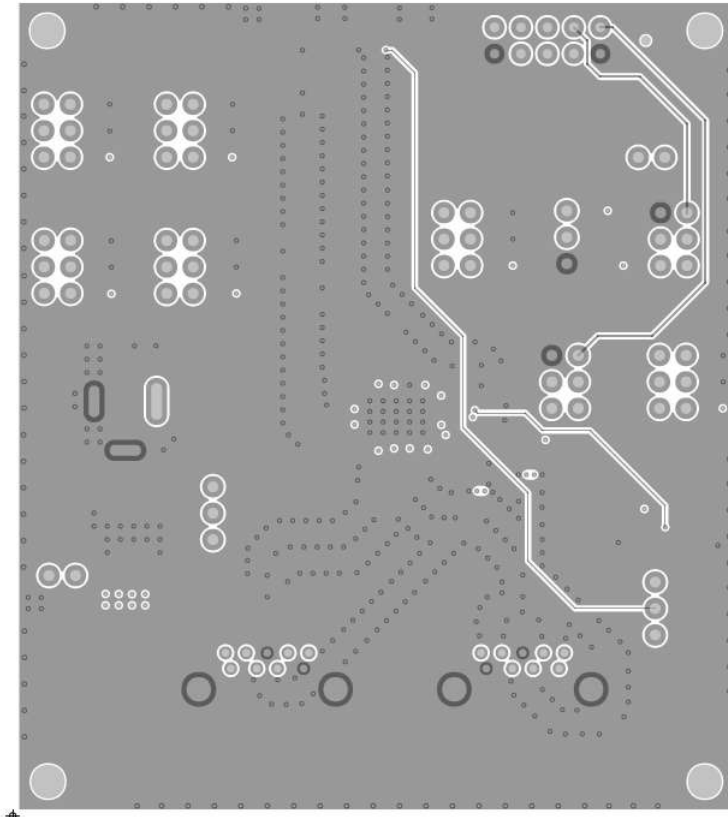


Figure 3-5. TUSB1021Q1-EVM PCB Layer 2 (Ground)



**Figure 3-6. TUSB1021Q1-EVM PCB Layer 3 (Power)**



**Figure 3-7. TUSB1021Q1-EVM PCB Layer 4 (Signal)**

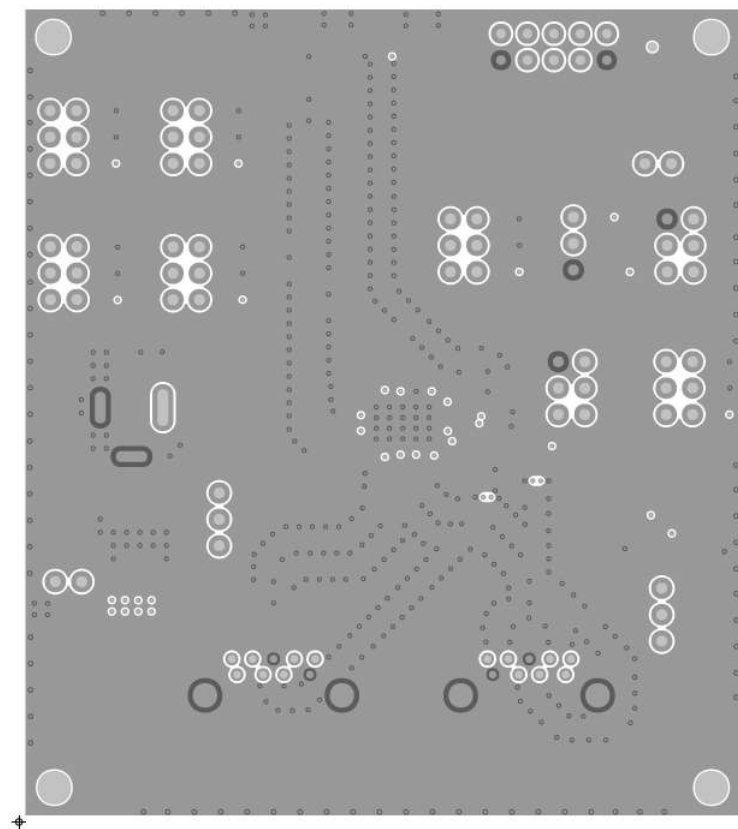


Figure 3-8. TUSB1021Q1-EVM PCB Layer 5 (Ground)

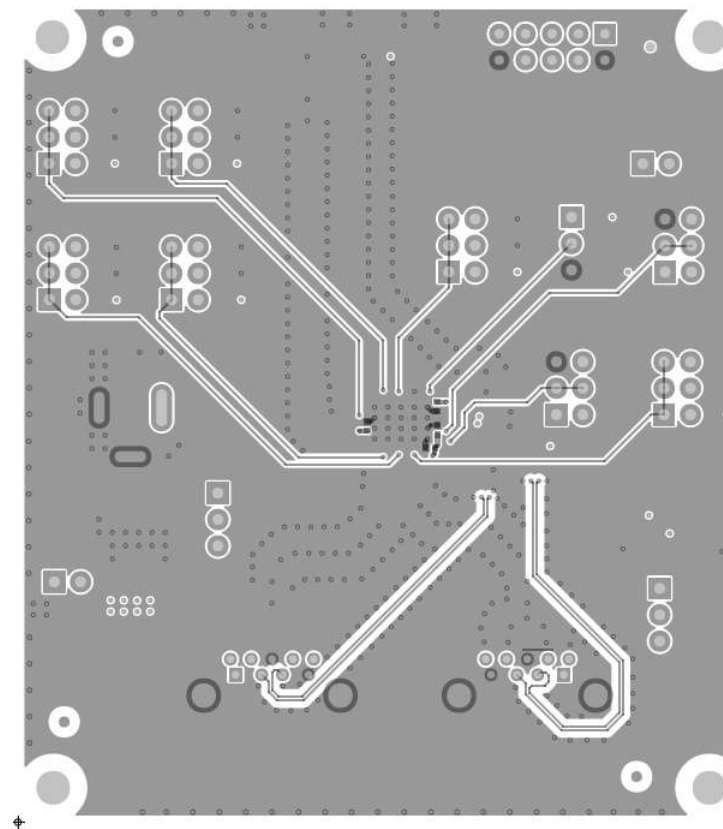


Figure 3-9. TUSB1021Q1-EVM PCB Layer 6 (Bottom)



### 3.3 Bill of Materials (BOM)

Table 3-1 lists the bill of materials for TUSB1021Q1-EVM.

**Table 3-1. Bill of Materials**

Item	Quantity	Reference	Description	Part	PCB Footprint	Manufacturer	Part Number
1	6	C1,C2,C5,C6,C24,C25	CAP CER 0.33UF 6.3V X5R 0201	330nF	CC0201	Murata Electronics	GRM033R60J334ME90D
2	6	C3,C4,C7,C8,C22,C23	CAP CER 0.22UF 6.3V X6S 0201	220nF	CC0201	Murata Electronics	GRM033C80J224KE90D
3	1	C9	CAP CER 10UF 16V X6S 0603	10 uF	CC0603	Murata Electronics	GRM188C81C106MA73J
4	4	C10,C11,C12,C13	CAP CER 0.1UF 25V X7R 0402	100nF	CC0402	Murata Electronics	GRM155R71E104KE14D
5	2	C18,C21	CAP CER 10UF 16V X6S 0603	10uF	CC0603	Murata Electronics	GRM188C81C106MA73J
6	1	C19	CAP CER 1UF 10V X6S 0402	1uF	CC0402	Murata Electronics	GRM155C81A105KA12D
7	1	C20	CAP CER 22UF 6.3V X6S 0603	22uF	CC0603	Murata Electronics	GRM188C80J226ME15D
8	1	D2	DIODE SCHOTTKY 30V 5A SOD128	SCHOTTKY	DIO_SOD128	NXP	PMEG3050EP,115
9	2	D3,D4	LED, GREEN CLEAR, 0805 SMD	LED Green	LED0805	LITE-ON TECHNOLOGY CORPORATION	LTST-C170KGKT
10	8	JMP1,JMP2,JMP3,JMP6,JMP7,JMP8,JMP9,JMP11	CONN HEADER VERT 6POS 2.54MM	3x2 Jumper	3M_961206-6404-AR	3M	961206-6404-AR
11	1	JMP4	Connector Header Through Hole 10 position 0.100" (2.54mm)	5x2 Jumper	con_thvt_shrd_2x5_100_m	3M	N2510-6002-RB
12	1	JMP5	Connector Header Through Hole 2 position 0.100" (2.54mm)	2x1 Jumper	FCI_68001-402HLF	Amphenol ICC (FCI)	68001-402HLF
13	1	JMP10	Connector Header Through Hole 3 position 0.100" (2.54mm)	3x1 Jumper	3M_961103-6404-AR	3M	961103-6404-AR
14	1	JMP19	Connector Header Through Hole 3 position 0.100" (2.54mm)	Header 3x1	3M_961103-6404-AR	3M	961103-6404-AR
15	1	JMP20	Connector Header Through Hole 2 position 0.100" (2.54mm)	Header 2x1	FCI_68001-402HLF	Amphenol ICC (FCI)	68001-402HLF
16	1	J1	CONN RCPT USB3.1 MICRO B SMD R/A	GSB443133HR	AMPHENOL_GSB443133HR	Amphenol ICC (FCI)	GSB443133HR
17	1	J2	CONN PWR JACK 2X5.5MM KINKED PIN	DC_PWR_JACK	CUI_PJ-202AH	CUI Inc.	PJ-202AH
18	1	LB1	LABEL 0.2"H X 0.65"W WH 1=10KPCS	THD-47-478-10	rectangle	Brady	THT-14-423-10
19	1	PCB1	PCB	HSDC173	n/a	Any	HSDCxxx
21	2	P1, P2	CONN RCPT USB3.1 TYPEA 9POS R/A	USB3 Type A Receptacle	USB3_TYPEA	Amphenol ICC (FCI)	GSB4111312HR
22	12	R3,R4,R5,R6,R7,R8,R9,R10,R59,R60,R61,R62	RES SMD 2 OHM 5% 1/20W 0201	2	RC0201	Panasonic Electronic Components	ERJ-1GNJ2R0C

**Table 3-1. Bill of Materials (continued)**

Item	Quantity	Reference	Description	Part	PCB Footprint	Manufacturer	Part Number
23	16	R11,R13,R14,R15,R16, R18,R19,R21,R22,R24, R25,R27,R28,R30,R65, R66	RES SMD 1K OHM 5% 1/20W 0201	1k	RC0201	Panasonic Electronic Components	ERJ-1GNJ102C
24	6	R12,R17,R20,R23,R26, R29	RES SMD 20K OHM 5% 1/20W 0201	20k	RC0201	Panasonic Electronic Components	ERJ-1GNJ203C
25	3	R54,R55,R56	RES 0 OHM JUMPER 0603 SMD	0	RC0603	Panasonic Electronic Components	ERJ-U030R00V
26	2	R57,R58	RES SMD 330 OHM 5% 1/10W 0402	330	RC0402	Panasonic Electronic Components	ERJ-2GEJ331X
27	2	R63,R64	RES SMD 2K OHM 5% 1/20W 0201	2k	RC0201	Panasonic Electronic Components	ERJ-1GNJ202C
28	4	SCRW1,SCRW2,SCRW 3,SCRW4	MACHINE SCREW PAN PHILLIPS 4-40	NY PMS 440 005 PH	screw	B & F Fastener	NY PMS 440 0050 PH
29	15	SHNT1,SHNT2,SHNT3, SHNT4,SHNT5,SHNT6, SHNT7,SHNT8,SHNT9, SHNT10,SHNT11,SHN T12,SHNT13,SHNT14, SHNT15	CONN JUMPER SHORTING .100" GOLD	QPC02SXGN-RC	0.1	Sullins Connector Solutions	QPC02SXGN-RC
30	4	STDOFF1,STDOFF2,S TDOFF3,STDOFF4	HEX STANDOFF #4-40 NYLON 1"	1902E	Standoff	Keystone	1902E
31	1	SW1	SWITCH SLIDE SPDT 500MA 125V	G-107-0513	ON-ON SPDT	CW Industries	G-107-0513
32	1	SW2	SWITCH SLIDE SPDT 100MA 6V	CJS-1200TA	ON-ON SPDT	Nidec Components Corporation	CJS-1200TA
33	1	U1	TUSB1021-Q1	TUSB1021-Q1	RGF0040F	Texas Instruments	TUSB1021RGFRQ1
34	3	U2,U3,U7	TVS DIODE 3.3VWM 3VC DFN2510A-10	PUSB3FR4	SOT1176-1	Nexperia USA Inc.	PUSB3FR4Z
35	1	U6	IC REG LINEAR 3.3V 1.5A SOT223-6	TPS7A4533	SOT223-6	Texas Instruments	TPS7A4533DCQ
36	1	U8	TS3USB221E	TS3USB221E	RSE0010A	Texas Instruments	TS3USB221ERSER

## **4 Additional Information**

### **4.1 Trademarks**

USB Type-C® is a registered trademark of USB Implementers Forum.  
All trademarks are the property of their respective owners.

## STANDARD TERMS FOR EVALUATION MODULES

1. *Delivery:* TI delivers TI evaluation boards, kits, or modules, including any accompanying demonstration software, components, and/or documentation which may be provided together or separately (collectively, an "EVM" or "EVMs") to the User ("User") in accordance with the terms set forth herein. User's acceptance of the EVM is expressly subject to the following terms.
  - 1.1 EVMs are intended solely for product or software developers for use in a research and development setting to facilitate feasibility evaluation, experimentation, or scientific analysis of TI semiconductor products. EVMs have no direct function and are not finished products. EVMs shall not be directly or indirectly assembled as a part or subassembly in any finished product. For clarification, any software or software tools provided with the EVM ("Software") shall not be subject to the terms and conditions set forth herein but rather shall be subject to the applicable terms that accompany such Software
  - 1.2 EVMs are not intended for consumer or household use. EVMs may not be sold, sublicensed, leased, rented, loaned, assigned, or otherwise distributed for commercial purposes by Users, in whole or in part, or used in any finished product or production system.
2. *Limited Warranty and Related Remedies/Disclaimers:*
  - 2.1 These terms do not apply to Software. The warranty, if any, for Software is covered in the applicable Software License Agreement.
  - 2.2 TI warrants that the TI EVM will conform to TI's published specifications for ninety (90) days after the date TI delivers such EVM to User. Notwithstanding the foregoing, TI shall not be liable for a nonconforming EVM if (a) the nonconformity was caused by neglect, misuse or mistreatment by an entity other than TI, including improper installation or testing, or for any EVMs that have been altered or modified in any way by an entity other than TI, (b) the nonconformity resulted from User's design, specifications or instructions for such EVMs or improper system design, or (c) User has not paid on time. Testing and other quality control techniques are used to the extent TI deems necessary. TI does not test all parameters of each EVM. User's claims against TI under this Section 2 are void if User fails to notify TI of any apparent defects in the EVMs within ten (10) business days after delivery, or of any hidden defects with ten (10) business days after the defect has been detected.
  - 2.3 TI's sole liability shall be at its option to repair or replace EVMs that fail to conform to the warranty set forth above, or credit User's account for such EVM. TI's liability under this warranty shall be limited to EVMs that are returned during the warranty period to the address designated by TI and that are determined by TI not to conform to such warranty. If TI elects to repair or replace such EVM, TI shall have a reasonable time to repair such EVM or provide replacements. Repaired EVMs shall be warranted for the remainder of the original warranty period. Replaced EVMs shall be warranted for a new full ninety (90) day warranty period.

### **WARNING**

**Evaluation Kits are intended solely for use by technically qualified, professional electronics experts who are familiar with the dangers and application risks associated with handling electrical mechanical components, systems, and subsystems.**

**User shall operate the Evaluation Kit within TI's recommended guidelines and any applicable legal or environmental requirements as well as reasonable and customary safeguards. Failure to set up and/or operate the Evaluation Kit within TI's recommended guidelines may result in personal injury or death or property damage. Proper set up entails following TI's instructions for electrical ratings of interface circuits such as input, output and electrical loads.**

**NOTE:**

**EXPOSURE TO ELECTROSTATIC DISCHARGE (ESD) MAY CAUSE DEGRADATION OR FAILURE OF THE EVALUATION KIT; TI RECOMMENDS STORAGE OF THE EVALUATION KIT IN A PROTECTIVE ESD BAG.**

### 3 Regulatory Notices:

#### 3.1 United States

##### 3.1.1 Notice applicable to EVMs not FCC-Approved:

**FCC NOTICE:** This kit is designed to allow product developers to evaluate electronic components, circuitry, or software associated with the kit to determine whether to incorporate such items in a finished product and software developers to write software applications for use with the end product. This kit is not a finished product and when assembled may not be resold or otherwise marketed unless all required FCC equipment authorizations are first obtained. Operation is subject to the condition that this product not cause harmful interference to licensed radio stations and that this product accept harmful interference. Unless the assembled kit is designed to operate under part 15, part 18 or part 95 of this chapter, the operator of the kit must operate under the authority of an FCC license holder or must secure an experimental authorization under part 5 of this chapter.

##### 3.1.2 For EVMs annotated as FCC – FEDERAL COMMUNICATIONS COMMISSION Part 15 Compliant:

#### **CAUTION**

This device complies with part 15 of the FCC Rules. Operation is subject to the following two conditions: (1) This device may not cause harmful interference, and (2) this device must accept any interference received, including interference that may cause undesired operation.

Changes or modifications not expressly approved by the party responsible for compliance could void the user's authority to operate the equipment.

#### **FCC Interference Statement for Class A EVM devices**

*NOTE: This equipment has been tested and found to comply with the limits for a Class A digital device, pursuant to part 15 of the FCC Rules. These limits are designed to provide reasonable protection against harmful interference when the equipment is operated in a commercial environment. This equipment generates, uses, and can radiate radio frequency energy and, if not installed and used in accordance with the instruction manual, may cause harmful interference to radio communications. Operation of this equipment in a residential area is likely to cause harmful interference in which case the user will be required to correct the interference at his own expense.*

#### **FCC Interference Statement for Class B EVM devices**

*NOTE: This equipment has been tested and found to comply with the limits for a Class B digital device, pursuant to part 15 of the FCC Rules. These limits are designed to provide reasonable protection against harmful interference in a residential installation. This equipment generates, uses and can radiate radio frequency energy and, if not installed and used in accordance with the instructions, may cause harmful interference to radio communications. However, there is no guarantee that interference will not occur in a particular installation. If this equipment does cause harmful interference to radio or television reception, which can be determined by turning the equipment off and on, the user is encouraged to try to correct the interference by one or more of the following measures:*

- Reorient or relocate the receiving antenna.
- Increase the separation between the equipment and receiver.
- Connect the equipment into an outlet on a circuit different from that to which the receiver is connected.
- Consult the dealer or an experienced radio/TV technician for help.

#### 3.2 Canada

##### 3.2.1 For EVMs issued with an Industry Canada Certificate of Conformance to RSS-210 or RSS-247

#### **Concerning EVMs Including Radio Transmitters:**

This device complies with Industry Canada license-exempt RSSs. Operation is subject to the following two conditions:

(1) this device may not cause interference, and (2) this device must accept any interference, including interference that may cause undesired operation of the device.

#### **Concernant les EVMs avec appareils radio:**

Le présent appareil est conforme aux CNR d'Industrie Canada applicables aux appareils radio exempts de licence. L'exploitation est autorisée aux deux conditions suivantes: (1) l'appareil ne doit pas produire de brouillage, et (2) l'utilisateur de l'appareil doit accepter tout brouillage radioélectrique subi, même si le brouillage est susceptible d'en compromettre le fonctionnement.

#### **Concerning EVMs Including Detachable Antennas:**

Under Industry Canada regulations, this radio transmitter may only operate using an antenna of a type and maximum (or lesser) gain approved for the transmitter by Industry Canada. To reduce potential radio interference to other users, the antenna type and its gain should be so chosen that the equivalent isotropically radiated power (e.i.r.p.) is not more than that necessary for successful communication. This radio transmitter has been approved by Industry Canada to operate with the antenna types listed in the user guide with the maximum permissible gain and required antenna impedance for each antenna type indicated. Antenna types not included in this list, having a gain greater than the maximum gain indicated for that type, are strictly prohibited for use with this device.

### Concernant les EVMs avec antennes détachables

Conformément à la réglementation d'Industrie Canada, le présent émetteur radio peut fonctionner avec une antenne d'un type et d'un gain maximal (ou inférieur) approuvé pour l'émetteur par Industrie Canada. Dans le but de réduire les risques de brouillage radioélectrique à l'intention des autres utilisateurs, il faut choisir le type d'antenne et son gain de sorte que la puissance isotrope rayonnée équivalente (p.i.r.e.) ne dépasse pas l'intensité nécessaire à l'établissement d'une communication satisfaisante. Le présent émetteur radio a été approuvé par Industrie Canada pour fonctionner avec les types d'antenne énumérés dans le manuel d'usage et ayant un gain admissible maximal et l'impédance requise pour chaque type d'antenne. Les types d'antenne non inclus dans cette liste, ou dont le gain est supérieur au gain maximal indiqué, sont strictement interdits pour l'exploitation de l'émetteur.

#### 3.3 Japan

3.3.1 *Notice for EVMs delivered in Japan:* Please see [http://www.tij.co.jp/lstds/ti\\_ja/general/eStore/notice\\_01.page](http://www.tij.co.jp/lstds/ti_ja/general/eStore/notice_01.page) 日本国内に輸入される評価用キット、ボードについては、次のところをご覧ください。

<https://www.ti.com/ja-jp/legal/notice-for-evaluation-kits-delivered-in-japan.html>

3.3.2 *Notice for Users of EVMs Considered "Radio Frequency Products" in Japan:* EVMs entering Japan may not be certified by TI as conforming to Technical Regulations of Radio Law of Japan.

If User uses EVMs in Japan, not certified to Technical Regulations of Radio Law of Japan, User is required to follow the instructions set forth by Radio Law of Japan, which includes, but is not limited to, the instructions below with respect to EVMs (which for the avoidance of doubt are stated strictly for convenience and should be verified by User):

1. Use EVMs in a shielded room or any other test facility as defined in the notification #173 issued by Ministry of Internal Affairs and Communications on March 28, 2006, based on Sub-section 1.1 of Article 6 of the Ministry's Rule for Enforcement of Radio Law of Japan,
2. Use EVMs only after User obtains the license of Test Radio Station as provided in Radio Law of Japan with respect to EVMs, or
3. Use of EVMs only after User obtains the Technical Regulations Conformity Certification as provided in Radio Law of Japan with respect to EVMs. Also, do not transfer EVMs, unless User gives the same notice above to the transferee. Please note that if User does not follow the instructions above, User will be subject to penalties of Radio Law of Japan.

【無線電波を送信する製品の開発キットをお使いになる際の注意事項】 開発キットの中には技術基準適合証明を受けていないものがあります。技術適合証明を受けていないものご使用に際しては、電波法遵守のため、以下のいずれかの措置を取っていただく必要がありますのでご注意ください。

1. 電波法施行規則第6条第1項第1号に基づく平成18年3月28日総務省告示第173号で定められた電波暗室等の試験設備でご使用いただく。
2. 実験局の免許を取得後ご使用いただく。
3. 技術基準適合証明を取得後ご使用いただく。

なお、本製品は、上記の「ご使用にあたっての注意」を譲渡先、移転先に通知しない限り、譲渡、移転できないものとします。

上記を遵守頂けない場合は、電波法の罰則が適用される可能性があることをご留意ください。日本テキサス・イ

ンスツルメンツ株式会社

東京都新宿区西新宿 6 丁目 2 4 番 1 号

西新宿三井ビル

3.3.3 *Notice for EVMs for Power Line Communication:* Please see [http://www.tij.co.jp/lstds/ti\\_ja/general/eStore/notice\\_02.page](http://www.tij.co.jp/lstds/ti_ja/general/eStore/notice_02.page)

電力線搬送波通信についての開発キットをお使いになる際の注意事項については、次のところをご覧ください。 <https://www.ti.com/ja-jp/legal/notice-for-evaluation-kits-for-power-line-communication.html>

#### 3.4 European Union

3.4.1 *For EVMs subject to EU Directive 2014/30/EU (Electromagnetic Compatibility Directive):*

This is a class A product intended for use in environments other than domestic environments that are connected to a low-voltage power-supply network that supplies buildings used for domestic purposes. In a domestic environment this product may cause radio interference in which case the user may be required to take adequate measures.

- 
4. *EVM Use Restrictions and Warnings:*
    - 4.1 EVMS ARE NOT FOR USE IN FUNCTIONAL SAFETY AND/OR SAFETY CRITICAL EVALUATIONS, INCLUDING BUT NOT LIMITED TO EVALUATIONS OF LIFE SUPPORT APPLICATIONS.
    - 4.2 User must read and apply the user guide and other available documentation provided by TI regarding the EVM prior to handling or using the EVM, including without limitation any warning or restriction notices. The notices contain important safety information related to, for example, temperatures and voltages.
    - 4.3 *Safety-Related Warnings and Restrictions:*
      - 4.3.1 User shall operate the EVM within TI's recommended specifications and environmental considerations stated in the user guide, other available documentation provided by TI, and any other applicable requirements and employ reasonable and customary safeguards. Exceeding the specified performance ratings and specifications (including but not limited to input and output voltage, current, power, and environmental ranges) for the EVM may cause personal injury or death, or property damage. If there are questions concerning performance ratings and specifications, User should contact a TI field representative prior to connecting interface electronics including input power and intended loads. Any loads applied outside of the specified output range may also result in unintended and/or inaccurate operation and/or possible permanent damage to the EVM and/or interface electronics. Please consult the EVM user guide prior to connecting any load to the EVM output. If there is uncertainty as to the load specification, please contact a TI field representative. During normal operation, even with the inputs and outputs kept within the specified allowable ranges, some circuit components may have elevated case temperatures. These components include but are not limited to linear regulators, switching transistors, pass transistors, current sense resistors, and heat sinks, which can be identified using the information in the associated documentation. When working with the EVM, please be aware that the EVM may become very warm.
      - 4.3.2 EVMs are intended solely for use by technically qualified, professional electronics experts who are familiar with the dangers and application risks associated with handling electrical mechanical components, systems, and subsystems. User assumes all responsibility and liability for proper and safe handling and use of the EVM by User or its employees, affiliates, contractors or designees. User assumes all responsibility and liability to ensure that any interfaces (electronic and/or mechanical) between the EVM and any human body are designed with suitable isolation and means to safely limit accessible leakage currents to minimize the risk of electrical shock hazard. User assumes all responsibility and liability for any improper or unsafe handling or use of the EVM by User or its employees, affiliates, contractors or designees.
    - 4.4 User assumes all responsibility and liability to determine whether the EVM is subject to any applicable international, federal, state, or local laws and regulations related to User's handling and use of the EVM and, if applicable, User assumes all responsibility and liability for compliance in all respects with such laws and regulations. User assumes all responsibility and liability for proper disposal and recycling of the EVM consistent with all applicable international, federal, state, and local requirements.
  5. *Accuracy of Information:* To the extent TI provides information on the availability and function of EVMs, TI attempts to be as accurate as possible. However, TI does not warrant the accuracy of EVM descriptions, EVM availability or other information on its websites as accurate, complete, reliable, current, or error-free.
  6. *Disclaimers:*
    - 6.1 EXCEPT AS SET FORTH ABOVE, EVMS AND ANY MATERIALS PROVIDED WITH THE EVM (INCLUDING, BUT NOT LIMITED TO, REFERENCE DESIGNS AND THE DESIGN OF THE EVM ITSELF) ARE PROVIDED "AS IS" AND "WITH ALL FAULTS." TI DISCLAIMS ALL OTHER WARRANTIES, EXPRESS OR IMPLIED, REGARDING SUCH ITEMS, INCLUDING BUT NOT LIMITED TO ANY EPIDEMIC FAILURE WARRANTY OR IMPLIED WARRANTIES OF MERCHANTABILITY OR FITNESS FOR A PARTICULAR PURPOSE OR NON-INFRINGEMENT OF ANY THIRD PARTY PATENTS, COPYRIGHTS, TRADE SECRETS OR OTHER INTELLECTUAL PROPERTY RIGHTS.
    - 6.2 EXCEPT FOR THE LIMITED RIGHT TO USE THE EVM SET FORTH HEREIN, NOTHING IN THESE TERMS SHALL BE CONSTRUED AS GRANTING OR CONFERRING ANY RIGHTS BY LICENSE, PATENT, OR ANY OTHER INDUSTRIAL OR INTELLECTUAL PROPERTY RIGHT OF TI, ITS SUPPLIERS/LICENSORS OR ANY OTHER THIRD PARTY, TO USE THE EVM IN ANY FINISHED END-USER OR READY-TO-USE FINAL PRODUCT, OR FOR ANY INVENTION, DISCOVERY OR IMPROVEMENT, REGARDLESS OF WHEN MADE, CONCEIVED OR ACQUIRED.
  7. *USER'S INDEMNITY OBLIGATIONS AND REPRESENTATIONS.* USER WILL DEFEND, INDEMNIFY AND HOLD TI, ITS LICENSORS AND THEIR REPRESENTATIVES HARMLESS FROM AND AGAINST ANY AND ALL CLAIMS, DAMAGES, LOSSES, EXPENSES, COSTS AND LIABILITIES (COLLECTIVELY, "CLAIMS") ARISING OUT OF OR IN CONNECTION WITH ANY HANDLING OR USE OF THE EVM THAT IS NOT IN ACCORDANCE WITH THESE TERMS. THIS OBLIGATION SHALL APPLY WHETHER CLAIMS ARISE UNDER STATUTE, REGULATION, OR THE LAW OF TORT, CONTRACT OR ANY OTHER LEGAL THEORY, AND EVEN IF THE EVM FAILS TO PERFORM AS DESCRIBED OR EXPECTED.

8. *Limitations on Damages and Liability:*

8.1 *General Limitations.* IN NO EVENT SHALL TI BE LIABLE FOR ANY SPECIAL, COLLATERAL, INDIRECT, PUNITIVE, INCIDENTAL, CONSEQUENTIAL, OR EXEMPLARY DAMAGES IN CONNECTION WITH OR ARISING OUT OF THESE TERMS OR THE USE OF THE EVMS , REGARDLESS OF WHETHER TI HAS BEEN ADVISED OF THE POSSIBILITY OF SUCH DAMAGES. EXCLUDED DAMAGES INCLUDE, BUT ARE NOT LIMITED TO, COST OF REMOVAL OR REINSTALLATION, ANCILLARY COSTS TO THE PROCUREMENT OF SUBSTITUTE GOODS OR SERVICES, RETESTING, OUTSIDE COMPUTER TIME, LABOR COSTS, LOSS OF GOODWILL, LOSS OF PROFITS, LOSS OF SAVINGS, LOSS OF USE, LOSS OF DATA, OR BUSINESS INTERRUPTION. NO CLAIM, SUIT OR ACTION SHALL BE BROUGHT AGAINST TI MORE THAN TWELVE (12) MONTHS AFTER THE EVENT THAT GAVE RISE TO THE CAUSE OF ACTION HAS OCCURRED.

8.2 *Specific Limitations.* IN NO EVENT SHALL TI'S AGGREGATE LIABILITY FROM ANY USE OF AN EVM PROVIDED HEREUNDER, INCLUDING FROM ANY WARRANTY, INDEMNITY OR OTHER OBLIGATION ARISING OUT OF OR IN CONNECTION WITH THESE TERMS, , EXCEED THE TOTAL AMOUNT PAID TO TI BY USER FOR THE PARTICULAR EVM(S) AT ISSUE DURING THE PRIOR TWELVE (12) MONTHS WITH RESPECT TO WHICH LOSSES OR DAMAGES ARE CLAIMED. THE EXISTENCE OF MORE THAN ONE CLAIM SHALL NOT ENLARGE OR EXTEND THIS LIMIT.

9. *Return Policy.* Except as otherwise provided, TI does not offer any refunds, returns, or exchanges. Furthermore, no return of EVM(s) will be accepted if the package has been opened and no return of the EVM(s) will be accepted if they are damaged or otherwise not in a resalable condition. If User feels it has been incorrectly charged for the EVM(s) it ordered or that delivery violates the applicable order, User should contact TI. All refunds will be made in full within thirty (30) working days from the return of the components(s), excluding any postage or packaging costs.

10. *Governing Law:* These terms and conditions shall be governed by and interpreted in accordance with the laws of the State of Texas, without reference to conflict-of-laws principles. User agrees that non-exclusive jurisdiction for any dispute arising out of or relating to these terms and conditions lies within courts located in the State of Texas and consents to venue in Dallas County, Texas. Notwithstanding the foregoing, any judgment may be enforced in any United States or foreign court, and TI may seek injunctive relief in any United States or foreign court.

Mailing Address: Texas Instruments, Post Office Box 655303, Dallas, Texas 75265  
Copyright © 2023, Texas Instruments Incorporated



## IMPORTANT NOTICE AND DISCLAIMER

TI PROVIDES TECHNICAL AND RELIABILITY DATA (INCLUDING DATA SHEETS), DESIGN RESOURCES (INCLUDING REFERENCE DESIGNS), APPLICATION OR OTHER DESIGN ADVICE, WEB TOOLS, SAFETY INFORMATION, AND OTHER RESOURCES "AS IS" AND WITH ALL FAULTS, AND DISCLAIMS ALL WARRANTIES, EXPRESS AND IMPLIED, INCLUDING WITHOUT LIMITATION ANY IMPLIED WARRANTIES OF MERCHANTABILITY, FITNESS FOR A PARTICULAR PURPOSE OR NON-INFRINGEMENT OF THIRD PARTY INTELLECTUAL PROPERTY RIGHTS.

These resources are intended for skilled developers designing with TI products. You are solely responsible for (1) selecting the appropriate TI products for your application, (2) designing, validating and testing your application, and (3) ensuring your application meets applicable standards, and any other safety, security, regulatory or other requirements.

These resources are subject to change without notice. TI grants you permission to use these resources only for development of an application that uses the TI products described in the resource. Other reproduction and display of these resources is prohibited. No license is granted to any other TI intellectual property right or to any third party intellectual property right. TI disclaims responsibility for, and you will fully indemnify TI and its representatives against, any claims, damages, costs, losses, and liabilities arising out of your use of these resources.

TI's products are provided subject to [TI's Terms of Sale](#) or other applicable terms available either on [ti.com](https://www.ti.com) or provided in conjunction with such TI products. TI's provision of these resources does not expand or otherwise alter TI's applicable warranties or warranty disclaimers for TI products.

TI objects to and rejects any additional or different terms you may have proposed.

Mailing Address: Texas Instruments, Post Office Box 655303, Dallas, Texas 75265  
Copyright © 2024, Texas Instruments Incorporated