

Implementations of Battery Charger and Power-Path Management System Using bq2410x/11x/12x (bqSWITCHER™)

Lingyin Zhao

PMP Portable Power

ABSTRACT

This application report presents four system topologies that can be used to fully implement a portable power management system solution using the bqSWITCHER™. Test results and the advantages and issues of each topology are discussed.

Contents

1	Introduction	2
2	Portable Power Supply and Battery Charger Architecture	2
3	Various Charger and Power-Path Management Solutions Using bqSWITCHER	3
4	Conclusion	13

List of Figures

1	Direct Connection and Path Selection Topologies	3
2	Topology 1	4
3	Charge Current Response to the System Current Transients	5
4	Waveforms at Power Up	6
5	Waveforms at Power Off	6
6	Topology 2	7
7	Waveforms at Power On	7
8	Waveforms at Power Off	8
9	Waveforms Under a Transient System Load	9
10	Topology 3	10
11	Waveforms at Power On	10
12	Waveforms at Power Off	11
13	Topology 4	12
14	Waveforms at Power On	12
15	Waveforms at Power Off	13

1 Introduction

The bqSWITCHER™ (bq2410x/1x/2x) series are highly integrated Li-ion and Li-polymer switch-mode, charge-management devices. They are able to handle up to 20 V of input voltage and 2 A of charge current with significant voltage difference between the input and output. The integrated power FETs and the internal loop compensation circuitry minimize the number of external components and lower the design and maintenance complexity. A high switching frequency (1.1 MHz) results in smaller external inductors and capacitors. Therefore, the bqSWITCHER has emerged as one of the favorite battery charger solutions for portable electronics, such as portable DVD players, MP3 players, etc.

Current trends in portable devices require operating the system while charging the battery pack. After the ac adapter is disconnected, the battery pack powers the equipment. Each of the multiple approaches to implementing this functionality has a specific impact on system cost, performance, and technical challenges. The bqSWITCHER was designed as a stand-alone battery charger but can be easily adapted to power a system load if one considers a few minor issues. This application report presents various battery charger and power path management solutions based on the bqSWITCHER. Test results of each solution are included and comprehensive discussions are presented.

2 Portable Power Supply and Battery Charger Architecture

The power-switching circuit connects external power supplies such as battery packs and external AC adapters to the internal system power bus, which is the main supply for internal end-equipment subsystems. The power-switching circuit architecture has a direct impact on end-equipment operation, and it can lead to end-equipment malfunction if improperly designed.

The most common symptoms of problems related to the power-switching circuitry design are incorrect status information such as false charge termination indication and unexpected end-equipment reset, power down, or lockup.

Two main topologies are commonly used for the power-switching network: direct connection and path selection topologies. Direct connection topologies isolate the external power supply from the battery pack and system by connecting the battery pack positive terminal and the charger stage output to the system power bus, as shown in [Figure 1\(a\)](#). In such a system, the maximum power delivered from the external input supply to the system power bus is limited by the charger settings; the external supply is isolated from the system power bus by the charger power stage.

In path selection topologies, the input power is split between the charger stage and the system. As shown in [Figure 1\(b\)](#), the power sharing is made possible by the implementation of a switching network that provides independent paths for the charger stage power and system power. The external input power is directly connected to the system power bus.

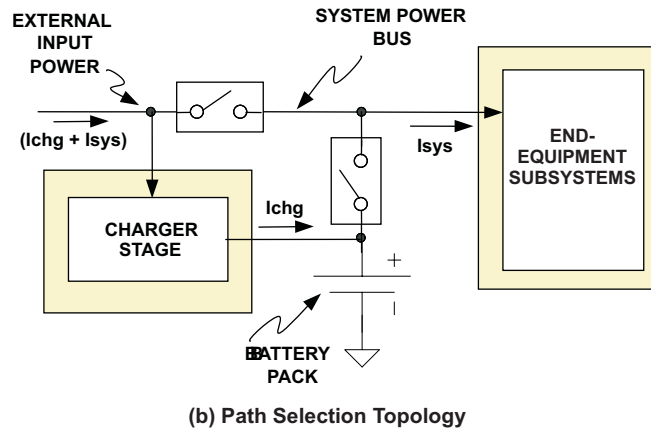
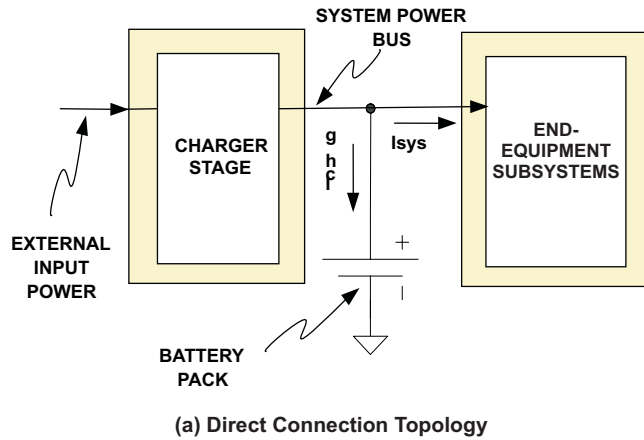


Figure 1. Direct Connection and Path Selection Topologies

Based on the bqSWITCHER, the choice of a topology is dictated by the following end-equipment usage modes:

1. Some types of direct connection topologies achieve the highest efficiency when the system is powered by the battery due to the elimination of the switch between the system and the battery.
2. Direct connection topologies are simpler and more cost-effective.
3. If the end-equipment requires a peak current higher than 2.5 A, the direct connection topology is not recommended due to the possibility of triggering the cycle-by-cycle current-limit protection.
4. If the end-equipment requires an average current higher than 2 A, the direct connection topology is not applicable due to the potential thermal issues.
5. If the end-equipment requires an average current lower than 2 A but higher than 1 A, the direct connection topology can be considered, but one needs to ensure that the resulting longer battery charge time is acceptable.
6. The system voltage variation can be minimized by using direct connection topologies.
7. If the adapter input voltage is higher than the system voltage rating, a path selection topology cannot be adopted.

3 Various Charger and Power-Path Management Solutions Using bqSWITCHER

As discussed, the candidate topologies can be classified into two categories: direct connection and path selection.

3.1 Direct Connection Topologies

3.1.1 Topology 1: System Load After Sense Resistor

One of the simpler high-efficiency topologies connects the system load directly across the battery pack, as shown in Figure 2. The input voltage has been converted to a usable system voltage with good efficiency from the input. When the input power is on, it supplies the system load and charges the battery pack at the same time. When the input power is off, the battery pack powers the system directly.

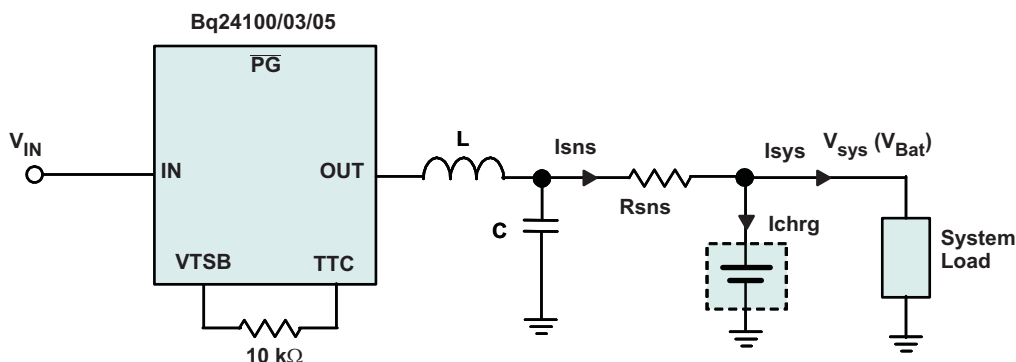


Figure 2. Topology 1

The advantages:

1. When the AC adapter is disconnected, the battery pack powers the system load with minimum power dissipations. Consequently, the time that the system runs on the battery pack can be maximized.
2. It saves the external path selection components and offers a low-cost solution.
3. Dynamic power management (DPM) can be achieved. The total of the charge current and the system current can be limited to a desired value by setting the resistance connected to the ISET1 pin. When the system current increases, the charge current drops by the same amount, as shown in Figure 3. As a result, no potential overcurrent or over-heating issues are caused by excessive system load demand.
4. The total of the charge current and the system current can be limited to a desired value by setting the resistance connected to the ISET1 pin. As a result, no potential overcurrent or over-heating issues are caused by excessive system load demand.
5. The supply voltage variation range for the system can be minimized.
6. The input current soft-start can be achieved by the generic soft-start feature of the IC.

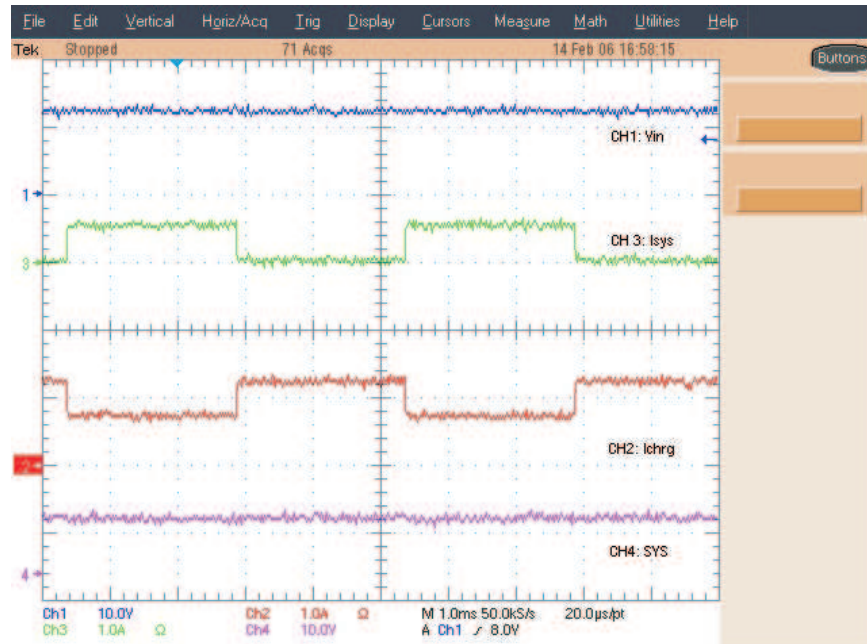


Figure 3. Charge Current Response to the System Current Transients

Design considerations and potential issues:

1. If the system always demands a high current (but lower than the regulation current), the charging never terminates. Thus, the battery is always charged, and the lifetime may be reduced.
2. Because the total current regulation threshold is fixed and the system always demands some current, the battery may not be charged with a full-charge rate and thus may lead to a longer charge time.
3. If the system load current is large after the charger has been terminated, the IR drop across the battery impedance may cause the battery voltage to drop below the refresh threshold and start a new charge. The charger would then terminate due to low charge current. Therefore, the charger would cycle between charging and terminating. If the load is smaller, the battery has to discharge down to the refresh threshold, resulting in a much slower cycling.
4. In a bqSWITCHER-based charger system, the precharge current is typically limited to about 10% of the fast-charge current value, if the sensed battery voltage is below the precharge threshold, around 3 V for Li-ion battery packs. This results in a low power availability at the system bus. If an external supply is connected and the battery is deeply discharged, below the precharge threshold, the charge current is clamped to the precharge current limit. This then is the current available to the system during the power-up phase. Most systems cannot function with such limited supply current, and the battery supplements the additional power required by the system. Note that the battery pack is already at the depleted condition, and it discharges further until the battery protector opens, resulting in a system shutdown.
5. If the battery is below the precharge threshold and the system requires a bias current budget lower than the precharge current limit, the end-equipment will be operational, but the charging process can be affected depending on the current left to charge the battery pack. Under extreme conditions, the system current is close to the precharge current levels and the battery may not reach the fast-charge region in a timely manner. As a result, the precharge safety timers flag the battery pack as defective, terminating the charging process. Because the bqSWITCHER precharge timer cannot be disabled, the inserted battery pack must not be depleted to make the application possible.
6. For instance, if the battery pack voltage is too low, highly depleted, or totally dead or even shorted, the system voltage is clamped by the battery and it cannot operate even if the input power is on.
7. Note that grounding the TTC pin disables both the timer (excluding the precharge timer) and the termination functions, and keeps the converter on continuously. Pulling up the TTC pin disables the timer but not the termination function. If TTC is pulled up or grounded, the battery is kept at 4.2 V (not much different than leaving a fully charged battery set unloaded).

Various Charger and Power-Path Management Solutions Using bqSWITCHER

The test waveforms when input power is turned on and off are shown in [Figure 4](#) or [Figure 5](#), respectively. The test was conducted under $V_{IN} = 12\text{ V}$, $V_{BAT} = 8\text{ V}$, $I_{SNS} = 1.3\text{ A}$, $I_{SYS} = 0.5\text{ A}$.

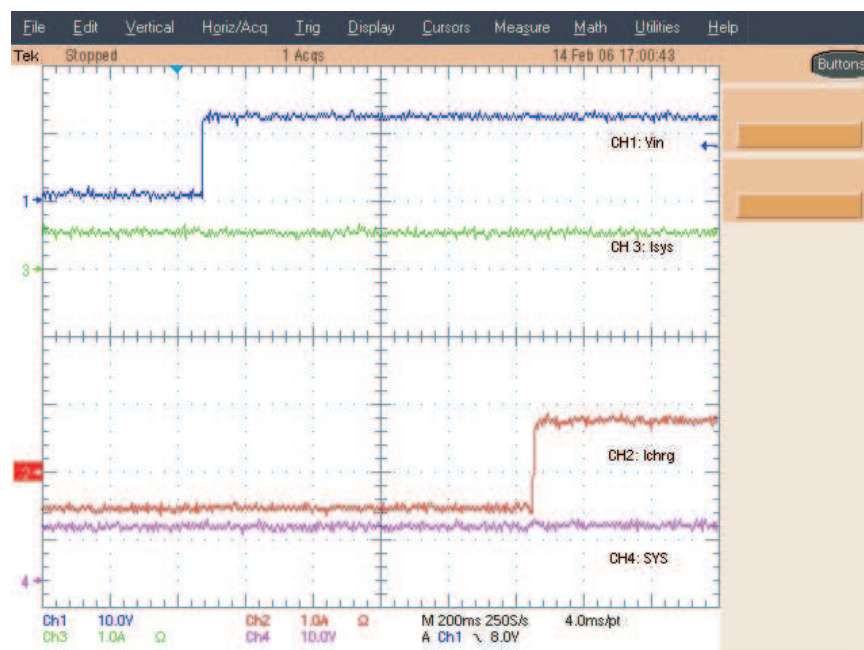


Figure 4. Waveforms at Power Up

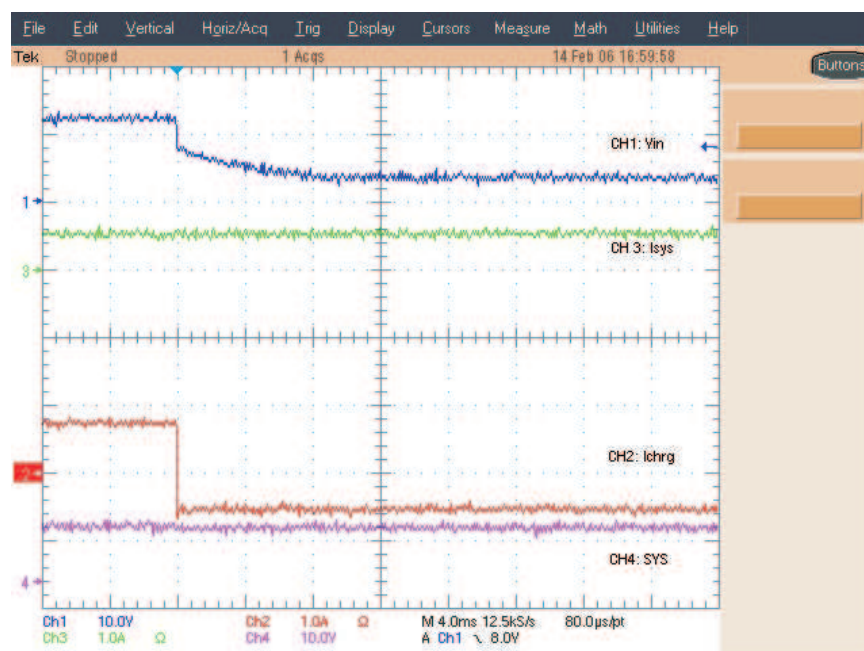


Figure 5. Waveforms at Power Off

3.1.2 Topology 2: System Load Before Sense Resistor

Topology 2 is similar to topology 1; the difference is that the system load is connected before the sense resistor, as shown in [Figure 6](#). The test waveforms when input power is turned on and off are shown in [Figure 7](#) and [Figure 8](#), respectively. The test was conducted under $V_{IN} = 12\text{ V}$, $V_{BAT} = 8\text{ V}$, $I_{SNS} = 1.3\text{ A}$, $I_{SYS} = 0.5\text{ A}$.

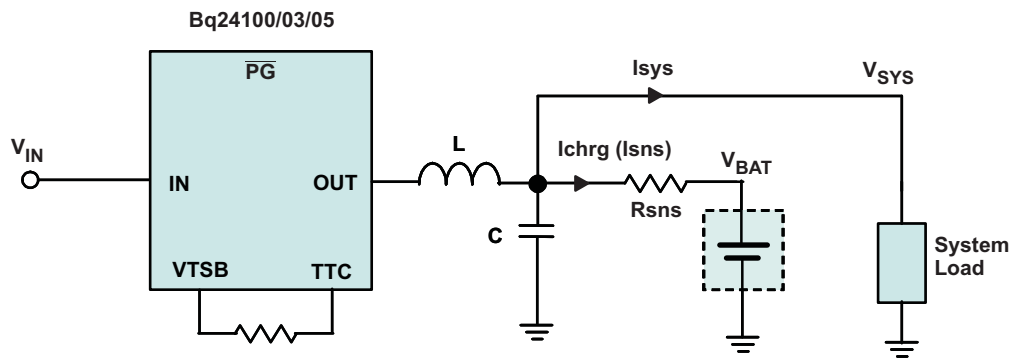


Figure 6. Topology 2

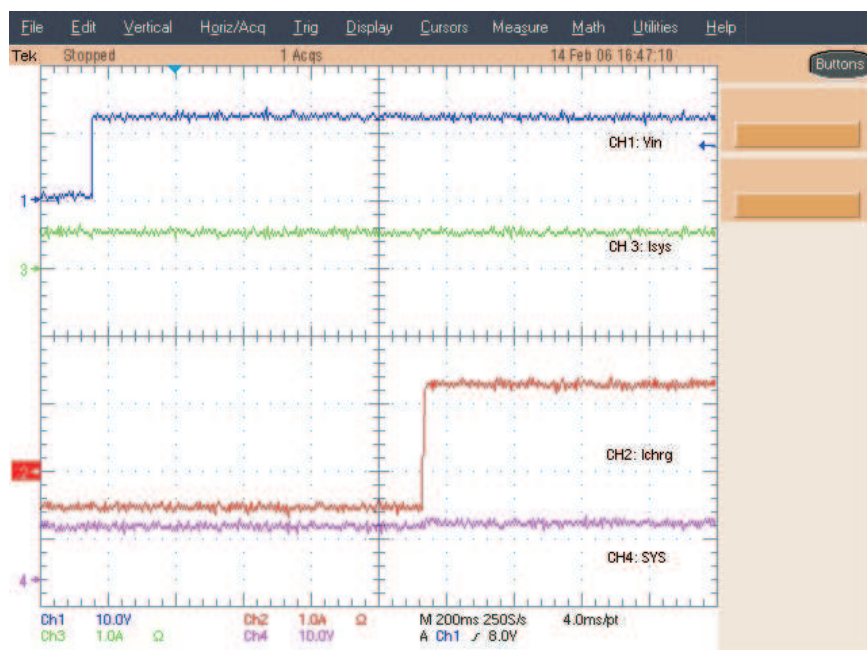


Figure 7. Waveforms at Power On

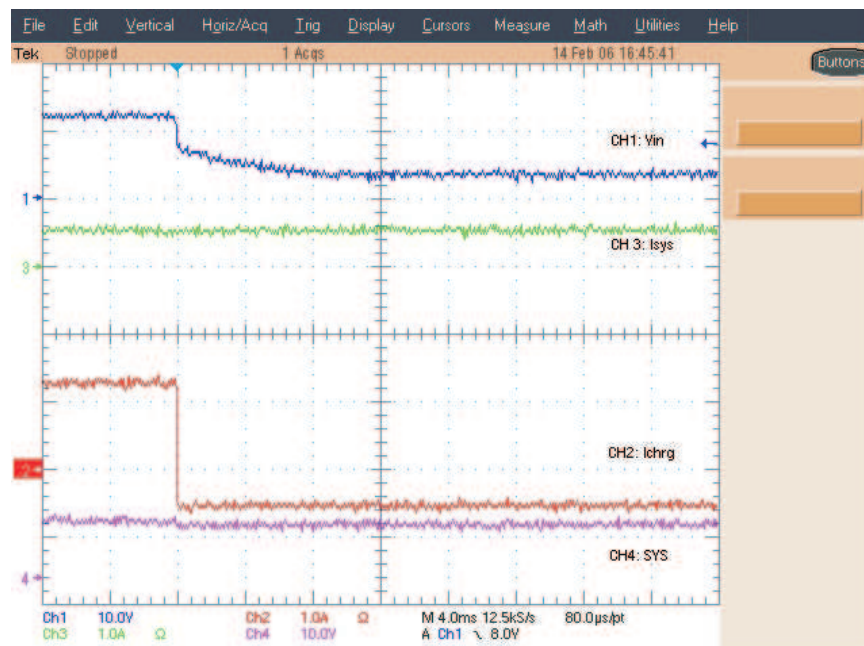


Figure 8. Waveforms at Power Off

The advantages of topology 2 compared to topology 1:

1. The charger controller is based only on what current goes through the current-sense resistor. So, the precharge, constant current fast charge, and termination functions all work well and are not affected by the system load. This is the major advantage of this topology compared to topology 1.
2. A depleted battery pack can be connected to the charger without the risk of the precharge safety timer expiration due to high system load.
3. The TTC pin can be grounded to disable termination and keep the converter running and the battery fully charged, or let the switcher terminate when the battery is full and then run off of the battery via the sense resistor.

Design considerations and potential issues:

1. The total current is only limited by the IC peak current protection and the thermal protection thresholds but not the charge current setting pin ISET1. The charge current does not drop when the system current load increases, as shown in [Figure 9](#). This solution is not applicable if the system requires a high current.
2. Efficiency declines when discharging through the sense resistor to the system.

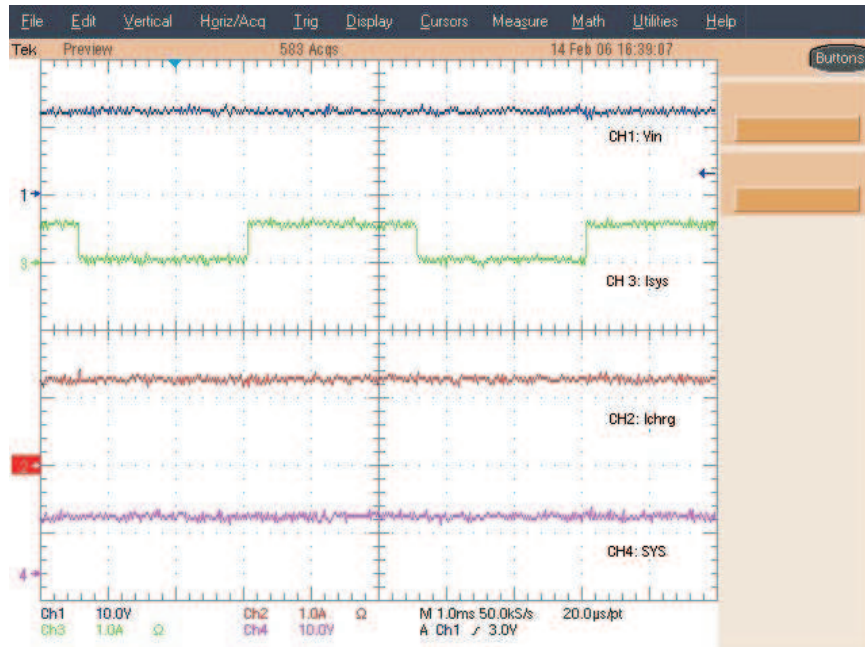


Figure 9. Waveforms Under a Transient System Load

3.2 Path Selection Topologies

3.2.1 Topology 3: PG Signal Driven Path Selection, Back-to-Back MOSFETs From Input to System

When the system requires a relatively high current, a charger with a power-path selection circuit is preferred. The first option is employing two back-to-back MOSFETs (Q1 and Q2) driven by the PG signal in the path from the input to the system, as shown in Figure 10. Driven by the reverse of the PG signal, another power MOSFET Q3 is placed across the battery and the system.

When VIN is on, the input powers the system directly via Q1 and Q2 and the charger at the same time. Q3 is off during this time. When the input adapter is removed, Q1 and Q2 turn off and Q3 turns on. This action ties the battery to the system.

Soft turnon of Q2 may be necessary to minimize the inrush current during the transition. The turnon time of Q2 can be adjusted by changing the value of the capacitor C1 across the gate and source.

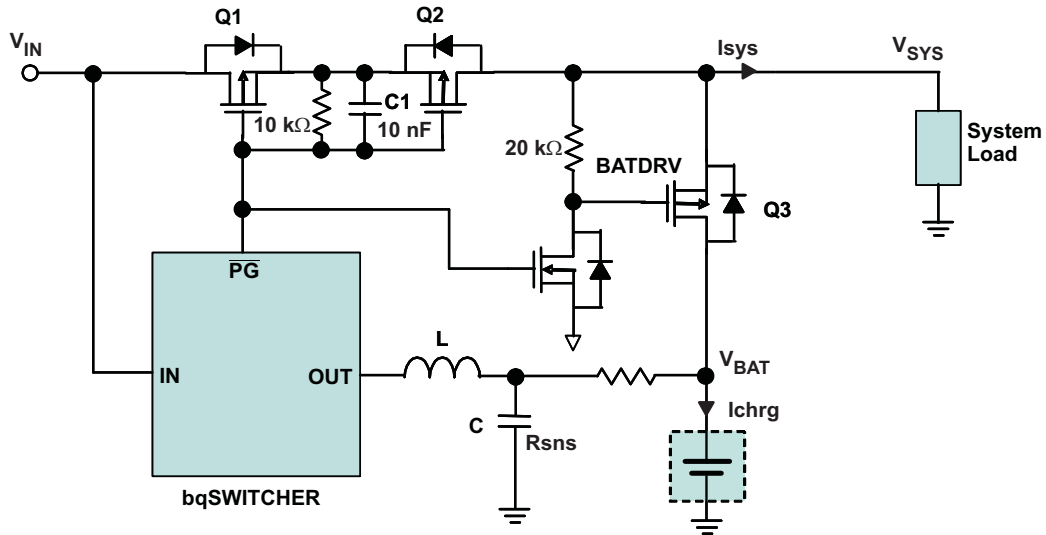


Figure 10. Topology 3

The test waveforms at power on and power off are shown in [Figure 11](#) and [Figure 12](#).

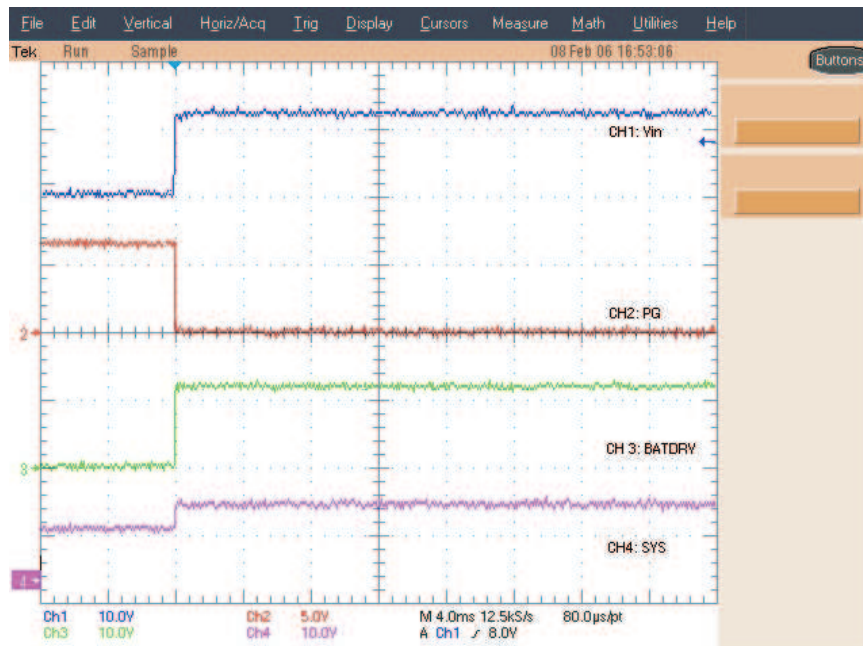


Figure 11. Waveforms at Power On

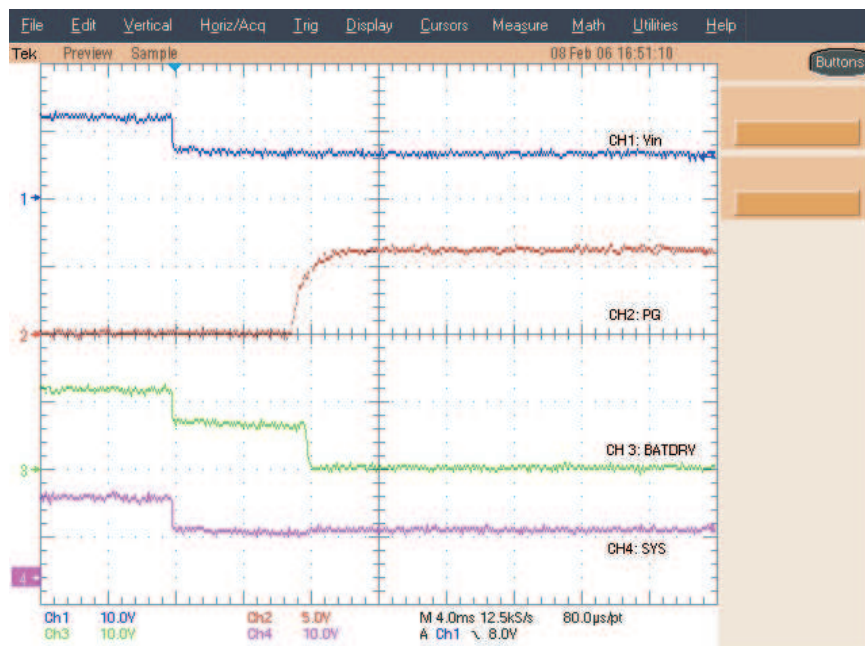


Figure 12. Waveforms at Power Off

The advantages:

1. Capable of carrying high system load current.
2. The precharge, constant current fast charge, and termination functions all work well and are not affected by the system load.
3. Independent of each other, the system load does not impact the battery charger.
4. Because the system load current is supplied by the battery only after the input is too low and the charger has been terminated, the charger does not cycle between charging and termination like topology 1 and topology 2 can possibly do.
5. Even if the battery pack voltage is too low, for instance, highly depleted, totally dead, or even shorted, the system still operates well as long as the input power is on.
6. Efficiency possibly higher than topology 1 and topology 2 when input is on, especially when a significant voltage difference between the input and the system exists.

Design considerations and potential issues:

1. The topology is more complex, and the cost is higher.
2. The efficiency is lower than topology 1 when the battery powers the system due to the on-resistance of Q3.
3. Higher system line voltage variation range.

If Q2 is removed, this topology still works, and one power MOSFET can be saved, thereby reducing the cost. However, the input conducts to the system immediately via the body diode of Q1 at power up without the reverse blocking MOSFET. It may lead to a significant battery current ringing.

If Q1 and Q2 are replaced by a power diode, the cost can be further reduced. However, the efficiency may decline by 1%–15% while experiencing the similar high current ringing problem as previously discussed.

3.2.2 Topology 4: Input Driven Path Selection, Power Diode From Input to System

Topology 4 replaces Q1 and Q2 in topology 3 with a power diode D1. The gate drive of Q3 consists of a diode D2, a resistor R1, and a capacitor C1 connecting to ground, as shown in Figure 13.

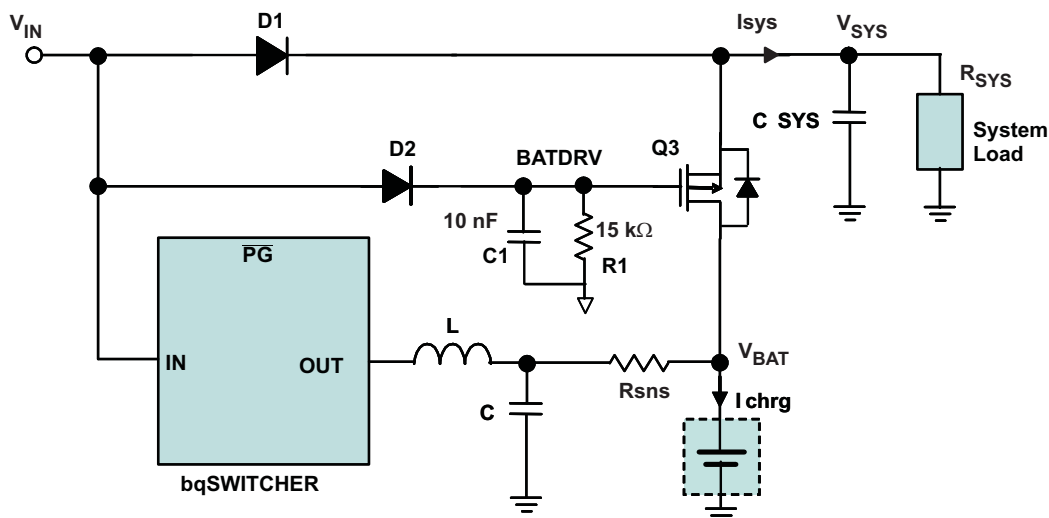


Figure 13. Topology 4

To ensure the break-before-make function of the path selector at V_{IN} removal, one needs to ensure that $R_1 \times C_1 + C_{gs_Q3} > R_{sys_min} \times C_{sys}$, in which C_{gs_Q3} is the gate-source capacitance of Q3 whereas R_{sys_min} is the equivalent system resistance at the lightest load.

The test waveforms are shown in Figure 14 and Figure 15.

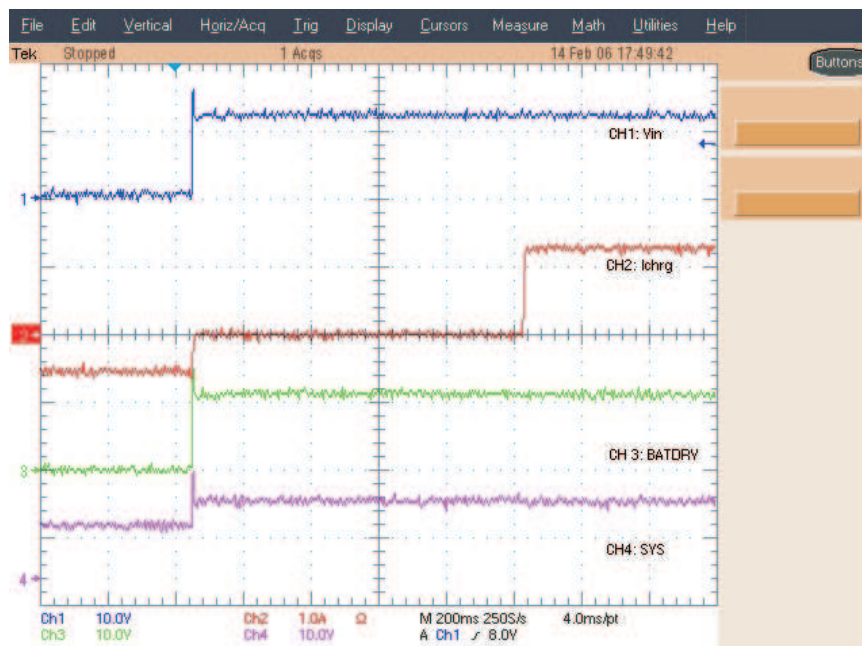


Figure 14. Waveforms at Power On

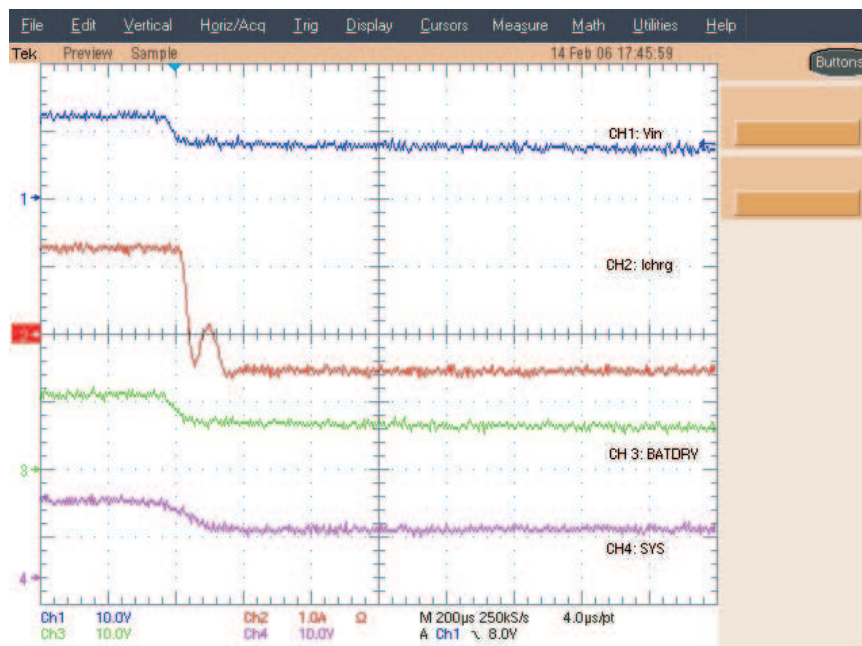


Figure 15. Waveforms at Power Off

The advantages:

1. Topology 4 is the lowest cost solution among the path selection topologies.
2. Without the time delay of PG signal, Q3 turns off more quickly during input power up. Therefore, the current ringing problem may be relieved compared to the two non-back-to-back versions of topology 3.

4 Conclusion

With many remarkable features such as high integration, high input and output difference, and high current, bqSWITCHER has emerged as one of the favorite charger ICs of portable electronics manufacturers. To fully implement a portable power management system solution using bqSWITCHER, this application report presents four system topologies which can be classified into two fundamental architectures: direct connection and path selection. This application report demonstrated the test results and comprehensively discussed the advantages and issues of each topology.

IMPORTANT NOTICE

Texas Instruments Incorporated and its subsidiaries (TI) reserve the right to make corrections, modifications, enhancements, improvements, and other changes to its products and services at any time and to discontinue any product or service without notice. Customers should obtain the latest relevant information before placing orders and should verify that such information is current and complete. All products are sold subject to TI's terms and conditions of sale supplied at the time of order acknowledgment.

TI warrants performance of its hardware products to the specifications applicable at the time of sale in accordance with TI's standard warranty. Testing and other quality control techniques are used to the extent TI deems necessary to support this warranty. Except where mandated by government requirements, testing of all parameters of each product is not necessarily performed.

TI assumes no liability for applications assistance or customer product design. Customers are responsible for their products and applications using TI components. To minimize the risks associated with customer products and applications, customers should provide adequate design and operating safeguards.

TI does not warrant or represent that any license, either express or implied, is granted under any TI patent right, copyright, mask work right, or other TI intellectual property right relating to any combination, machine, or process in which TI products or services are used. Information published by TI regarding third-party products or services does not constitute a license from TI to use such products or services or a warranty or endorsement thereof. Use of such information may require a license from a third party under the patents or other intellectual property of the third party, or a license from TI under the patents or other intellectual property of TI.

Reproduction of information in TI data books or data sheets is permissible only if reproduction is without alteration and is accompanied by all associated warranties, conditions, limitations, and notices. Reproduction of this information with alteration is an unfair and deceptive business practice. TI is not responsible or liable for such altered documentation.

Resale of TI products or services with statements different from or beyond the parameters stated by TI for that product or service voids all express and any implied warranties for the associated TI product or service and is an unfair and deceptive business practice. TI is not responsible or liable for any such statements.

Following are URLs where you can obtain information on other Texas Instruments products and application solutions:

Products		Applications	
Amplifiers	amplifier.ti.com	Audio	www.ti.com/audio
Data Converters	dataconverter.ti.com	Automotive	www.ti.com/automotive
DSP	dsp.ti.com	Broadband	www.ti.com/broadband
Interface	interface.ti.com	Digital Control	www.ti.com/digitalcontrol
Logic	logic.ti.com	Military	www.ti.com/military
Power Mgmt	power.ti.com	Optical Networking	www.ti.com/opticalnetwork
Microcontrollers	microcontroller.ti.com	Security	www.ti.com/security
		Telephony	www.ti.com/telephony
		Video & Imaging	www.ti.com/video
		Wireless	www.ti.com/wireless

Mailing Address: Texas Instruments
Post Office Box 655303 Dallas, Texas 75265

Copyright © 2006, Texas Instruments Incorporated