

## bq25504 Optimization of MPPT Algorithm

Umar Lyles and Yogesh Ramadass

Battery Charge Management System and Design

### ABSTRACT

The bq25504 is an ultra-low-power charger IC intended for interfacing DC sources like solar cells, thermal harvesters and high-impedance batteries. The bq25504's industry-leading low-quiescent current and high charger efficiency make it an ideal choice for charging batteries and super-capacitors  $\tau$  from a variety of energy-harvesting sources. This application note details how to optimize the bq25504 maximum power point tracking (MPPT) network to accurately regulate different types of solar cells to their maximum power point (MPP). For details, see the bq25504 data sheet ([SLUSAH0](#)).

### Introduction

The Texas Instrument's bq25504 uses the open-circuit voltage (OCV) technique to regulate the solar cell to its maximum power point (MPP). This technique relies on the fact that for most solar cells, the MPP is achieved at some fraction of the OCV, typically 80%. A resistor divider ( $R_1$  and  $R_2$ ) is used to obtain the appropriate percentage of the solar panel's OCV. During normal operation, the bq25504 periodically turns off the charger so the solar panel can return to its OCV. During this time, the fractional voltage generated from the divider network is sampled and held by the capacitor,  $C_{REF}$ . The voltage on  $C_{REF}$  is used as a reference voltage to regulate the panel's operating voltage.

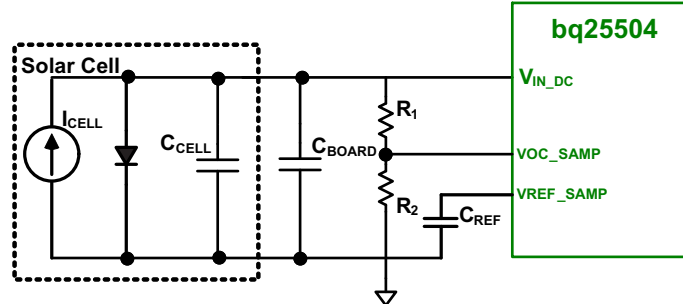
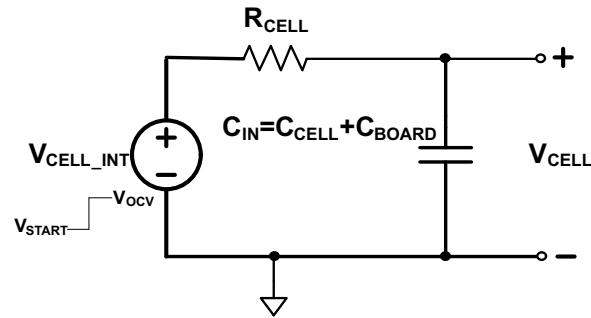


Figure 1. bq25504 MPPT System Diagram

The bq25504 has a preset 256-ms OCV sampling period that is refreshed every 16 s. For most commercially available solar cells, the 256-ms time interval is adequate for  $I_{CELL}$  to charge the solar cell's internal capacitance ( $C_{CELL}$ ) and the board capacitance ( $C_{BOARD}$ ) to settle the voltage at  $V_{IN\_DC}$  to the OCV of the solar cell, even under low light conditions. This is true for most solar cells because the capacitance at  $V_{IN\_DC}$  is approximated as  $C_{BOARD}$ , because  $C_{CELL}$  is usually small and  $I_{CELL}$  is usually greater than 20  $\mu A$ . However, some solar cells have a very large  $C_{CELL}$  and/or a very small  $I_{CELL}$  such that the voltage at  $V_{IN\_DC}$  no longer settles to OCV in the 256-ms sampling window. Under these conditions, the sampled voltage will actually show up as something less than the target fraction of OCV that  $R_1$  and  $R_2$  are normally set to achieve. To better understand how this phenomenon affects the selection of the MPPT resistor divider network the solar cell is approximated as a simple RC settling network.



**Figure 2. Model for Analyzing Settling Time of Solar Panel**

The voltage at the cell is initially regulated to  $V_{\text{cell\_start}}$  at the beginning of an MPPT sampling period. The voltage at the cell at the end of a sampling period ( $V_{\text{cell\_end}}$ ) is given by

$$V_{\text{cell\_end}} = V_{\text{cell\_start}} + (V_{\text{OCV}} - V_{\text{cell\_start}}) \times (1 - e^{-256\text{ms}/\tau}) \quad (1)$$

Where  $\tau$  is the settling-time constant of the solar panel with the additional input board capacitance.

$$\tau = R_{\text{CELL}} \times C_{\text{IN}} \quad (2)$$

Assuming the settling time of the MPPT sampling network is negligible, the sampling network  $R_1$ ,  $R_2$ , and  $C_{\text{REF}}$  store the voltage given by

$$V_{\text{cell\_start}} = \left( \frac{R_2}{R_1 + R_2} \right) \times V_{\text{cell\_end}} \quad (3)$$

The condition (Equation 4) must hold true for the panel to regulate the input to MPP when the cell voltage has reached its steady-state value.

$$V_{\text{cell\_start}} = V_{\text{MPP}} \quad (4)$$

Combining Equation 1, Equation 3, and Equation 4 gives

$$R_2 = \frac{V_{\text{MPP}} \times R_{\text{total}}}{V_{\text{MPP}} + \underbrace{(V_{\text{OCV}} - V_{\text{MPP}}) \times (1 - e^{-0.256/\tau})}_{\Delta V_{256\text{ms}}} \quad (5)$$

$$R_1 = R_{\text{total}} - R_2 \quad (6)$$

Where  $R_{\text{TOTAL}}$  is a user-specified value; the bq25504 specification recommends 20 M $\Omega$ .

### Procedure to Calculate MPPT Resistor Values

Solve for  $R_1$  and  $R_2$  using Equation 5 and Equation 6, to set the appropriate ratio for operation at the panel's MPP. The quantities  $V_{\text{MPP}}$ ,  $V_{\text{OCV}}$ ,  $R_{\text{TOTAL}}$  and  $\tau$  are required to solve these equations. Obtain the values for  $V_{\text{MPP}}$  and  $V_{\text{OCV}}$  from the panel manufacturer's data sheet or by requesting them. The data sheet will include the settling point of the panel. The value of  $\tau$  is both a function of the panel's settling time and the board's input capacitance (4.7  $\mu\text{F}$ ).

The values for  $V_{\text{MPP}}$ ,  $V_{\text{OCV}}$ , and  $\tau$  vary with operating point and change with voltage, temperature, irradiance, age, and dimensions of the panel. Solving for  $R_1$  and  $R_2$  with the values provided by the manufacturer may provide a good approximation but might not yield the most accurate solution for every situation. For the most accurate value, understand that the underlined quantity ( $\Delta V_{256\text{ms}}$ ) in Equation 5 is the voltage difference seen at the panel between the beginning of the MPPT sampling period and the end of the period, 256 ms later. The following procedure is the most accurate way of determining  $R_1$  and  $R_2$  values, ensuring the bq25504 operates the solar panel at its MPP.

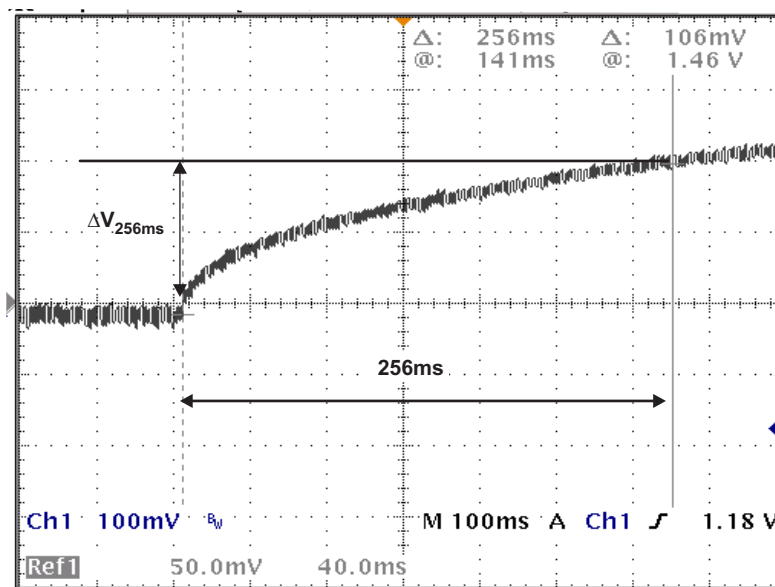
1. At room temperature, place the panel in a light box on the LUX setting expected for a typical application.
2. Connect the panel terminals to a Keithley 2400 SourceMeter or similar device.
3. Set the SourceMeter source voltage to 0 V. Begin increasing the voltage while observing meter power

measurement. The power will increase with increasing voltage until it reaches its maximum after which it will begin decreasing as the voltage is taken higher. Record the voltage at which power reaches its maximum ( $V_{MPP}$ ).

4. Set the SourceMeter to the voltage setting that achieves MPP. Connect a scope probe to the positive terminal of the solar panel. Open circuit the solar panel by disconnecting the SourceMeter. Record the voltage difference seen on the scope probe 256 ms later ( $\Delta V_{256ms}$ )
5. Using  $V_{MPP}$ ,  $\Delta V_{256ms}$ , and user-selected  $R_{TOTAL}$  solve [Equation 5](#) and [Equation 6](#) for the resistor values.

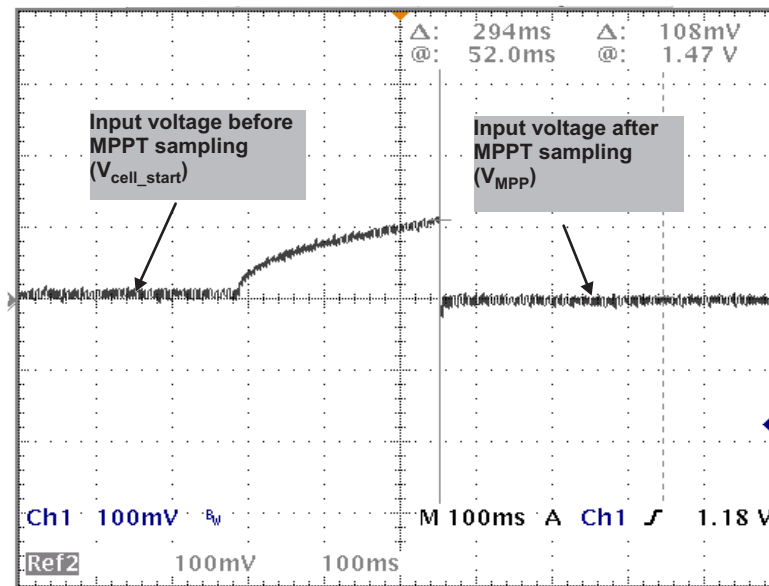
### Example Calculation of MPPT Resistors

The following example illustrates how to calculate the proper resistor values using the procedure described above. A 3-cell solar panel with OCV measured at 1.66 V is used in this experiment. Using steps 1-3 described above, the  $V_{MPP}$  is measured as 1.36 V. The panel was then connected to the source meter with the voltage set to 1.36 V ( $V_{MPP}$ ). The OCV settling waveform in [Figure 3](#) was obtained by removing the SourceMeter from the panel.



**Figure 3. Panel Voltage Settling from  $V_{MPP}$  to VOC ( $\Delta V_{256ms}$  measured is 106 mV).**

The waveform shows that this panel is unable to settle completely to OCV within the 256 ms sampling time. The final voltage at the end of the 256 ms sampling period was measured to be 1.466 V ( $\Delta V_{256ms} = 106$  mV). Using this data and [Equation 5](#) and [Equation 6](#), the resistor values were found to be  $R_1 = 1.45$  M $\Omega$  and  $R_2 = 18.5$  M $\Omega$  ( $R_{total} = 20$  M $\Omega$ ). The panel was connected to the bq25504 IC with these calculated MPPT resistor values and allowed to settle to steady state, see [Figure 4](#).



**Figure 4. Panel Voltage During Charging and MPPT Sampling, Voltage of the Panel Before and After Sampling are Equal - Steady State**

The  $V_{MPP}$  of 1.36 V is approximately 80% of  $V_{OC}$  (1.66 V); however, rather than setting the resistor divide ratio to 80%, the calculated resistor values set the divide ratio to 92.5%. The final result shows that with the resistor ratio set to 92.5% the input voltage regulates to approximately 1.37 V which is very close to the panel's actual MPP voltage. This shows that even if the panel does not settle in the allotted 256 ms window that [Equation 5](#) and [Equation 6](#) can be used to regulate the input to  $V_{MPP}$ .

For panels that are unable to settle to OCV under typical environmental conditions, set the ratio in the range of 80%–90% to ensure operation near MPP. If the conditions change such that the panel is able to settle within the sampling period, the panel will be regulated to the actual ratio and not near MPP unless the resistor values are changed. It is recommended the ratio is not set above 90%, ensuring the bq25504 continues to harvest energy under these changing conditions.

## IMPORTANT NOTICE

Texas Instruments Incorporated and its subsidiaries (TI) reserve the right to make corrections, modifications, enhancements, improvements, and other changes to its products and services at any time and to discontinue any product or service without notice. Customers should obtain the latest relevant information before placing orders and should verify that such information is current and complete. All products are sold subject to TI's terms and conditions of sale supplied at the time of order acknowledgment.

TI warrants performance of its hardware products to the specifications applicable at the time of sale in accordance with TI's standard warranty. Testing and other quality control techniques are used to the extent TI deems necessary to support this warranty. Except where mandated by government requirements, testing of all parameters of each product is not necessarily performed.

TI assumes no liability for applications assistance or customer product design. Customers are responsible for their products and applications using TI components. To minimize the risks associated with customer products and applications, customers should provide adequate design and operating safeguards.

TI does not warrant or represent that any license, either express or implied, is granted under any TI patent right, copyright, mask work right, or other TI intellectual property right relating to any combination, machine, or process in which TI products or services are used. Information published by TI regarding third-party products or services does not constitute a license from TI to use such products or services or a warranty or endorsement thereof. Use of such information may require a license from a third party under the patents or other intellectual property of the third party, or a license from TI under the patents or other intellectual property of TI.

Reproduction of TI information in TI data books or data sheets is permissible only if reproduction is without alteration and is accompanied by all associated warranties, conditions, limitations, and notices. Reproduction of this information with alteration is an unfair and deceptive business practice. TI is not responsible or liable for such altered documentation. Information of third parties may be subject to additional restrictions.

Resale of TI products or services with statements different from or beyond the parameters stated by TI for that product or service voids all express and any implied warranties for the associated TI product or service and is an unfair and deceptive business practice. TI is not responsible or liable for any such statements.

TI products are not authorized for use in safety-critical applications (such as life support) where a failure of the TI product would reasonably be expected to cause severe personal injury or death, unless officers of the parties have executed an agreement specifically governing such use. Buyers represent that they have all necessary expertise in the safety and regulatory ramifications of their applications, and acknowledge and agree that they are solely responsible for all legal, regulatory and safety-related requirements concerning their products and any use of TI products in such safety-critical applications, notwithstanding any applications-related information or support that may be provided by TI. Further, Buyers must fully indemnify TI and its representatives against any damages arising out of the use of TI products in such safety-critical applications.

TI products are neither designed nor intended for use in military/aerospace applications or environments unless the TI products are specifically designated by TI as military-grade or "enhanced plastic." Only products designated by TI as military-grade meet military specifications. Buyers acknowledge and agree that any such use of TI products which TI has not designated as military-grade is solely at the Buyer's risk, and that they are solely responsible for compliance with all legal and regulatory requirements in connection with such use.

TI products are neither designed nor intended for use in automotive applications or environments unless the specific TI products are designated by TI as compliant with ISO/TS 16949 requirements. Buyers acknowledge and agree that, if they use any non-designated products in automotive applications, TI will not be responsible for any failure to meet such requirements.

Following are URLs where you can obtain information on other Texas Instruments products and application solutions:

### Products

Audio	<a href="http://www.ti.com/audio">www.ti.com/audio</a>
Amplifiers	<a href="http://amplifier.ti.com">amplifier.ti.com</a>
Data Converters	<a href="http://dataconverter.ti.com">dataconverter.ti.com</a>
DLP® Products	<a href="http://www.dlp.com">www.dlp.com</a>
DSP	<a href="http://dsp.ti.com">dsp.ti.com</a>
Clocks and Timers	<a href="http://www.ti.com/clocks">www.ti.com/clocks</a>
Interface	<a href="http://interface.ti.com">interface.ti.com</a>
Logic	<a href="http://logic.ti.com">logic.ti.com</a>
Power Mgmt	<a href="http://power.ti.com">power.ti.com</a>
Microcontrollers	<a href="http://microcontroller.ti.com">microcontroller.ti.com</a>
RFID	<a href="http://www.ti-rfid.com">www.ti-rfid.com</a>
OMAP Mobile Processors	<a href="http://www.ti.com/omap">www.ti.com/omap</a>
Wireless Connectivity	<a href="http://www.ti.com/wirelessconnectivity">www.ti.com/wirelessconnectivity</a>

### Applications

Automotive and Transportation	<a href="http://www.ti.com/automotive">www.ti.com/automotive</a>
Communications and Telecom	<a href="http://www.ti.com/communications">www.ti.com/communications</a>
Computers and Peripherals	<a href="http://www.ti.com/computers">www.ti.com/computers</a>
Consumer Electronics	<a href="http://www.ti.com/consumer-apps">www.ti.com/consumer-apps</a>
Energy and Lighting	<a href="http://www.ti.com/energy">www.ti.com/energy</a>
Industrial	<a href="http://www.ti.com/industrial">www.ti.com/industrial</a>
Medical	<a href="http://www.ti.com/medical">www.ti.com/medical</a>
Security	<a href="http://www.ti.com/security">www.ti.com/security</a>
Space, Avionics and Defense	<a href="http://www.ti.com/space-avionics-defense">www.ti.com/space-avionics-defense</a>
Video and Imaging	<a href="http://www.ti.com/video">www.ti.com/video</a>

TI E2E Community Home Page

[e2e.ti.com](http://e2e.ti.com)

Mailing Address: Texas Instruments, Post Office Box 655303, Dallas, Texas 75265  
Copyright © 2012, Texas Instruments Incorporated