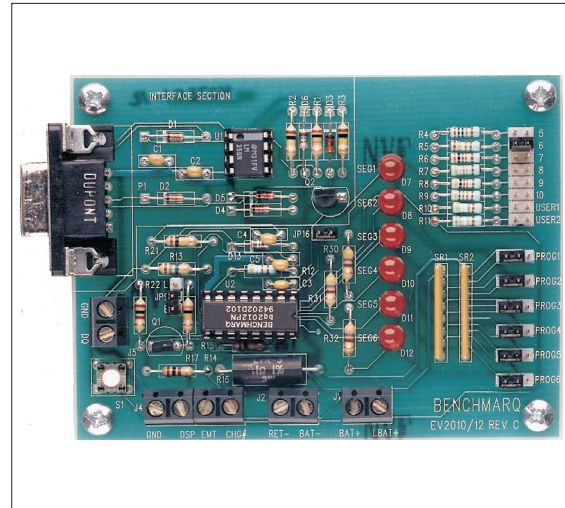


Gas Gauge Evaluation Board

Contents

Section	Page No.
Introduction	1
EV2012 Functional Description	1
EV2012 Contents	2
EV2012 Connections	2
EV2012 Configuration	2
Installing the User Interface Program	3
Using the EV2012 Program	3
Main Menu	3
Digital Magnitude Filter Menu	4
Monitor Screen	4
Programming Menu	7
Data Logging	7
Measure Vos Screen	8
Appendix A: AP12 User's Guide	9
Appendix B: Troubleshooting	10
Appendix C: EV2012 Schematic	11



Power Source

The bq2012 derives its V_{CC} from either an external source or from the battery connected to the BAT+ and BAT- terminal blocks (J1 and J2). Refer to Table 4 in *Using the bq2010—A Tutorial for Gas Gauging* for the proper size of R17. The EV2012 Evaluation Board is shipped with a 200K Ω resistor for R17.

Current Path

The bq2012 uses a sense resistor (R16) on the negative terminal of the battery to measure charge and discharge of the battery. This resistor may be changed if necessary. The system load is connected between the BAT+ (J1) and RET- (J2) terminal blocks (see the schematic in Appendix C).

Parameter Programming

The EV2012 is programmed by the segment programming pins, using jumpers JP10–JP15. The programming pins determine:

- Programmed full count
- Scale factor
- Self-discharge rate
- Display mode

Introduction

The bq2012 Gas Gauge IC provides battery capacity monitoring in a single 16-pin SOIC or DIP package. The EV2012 Evaluation Board provides a useful means to test bq2012 functionality and easily interface with the device over the RS-232 port of a PC. The bq2012 features:

- Battery capacity monitoring functions
- LED display of available charge
- DQ serial I/O port communications functions

Functional Description

The EV2012 provides functional evaluation of the bq2012 IC on a PCB. The actual implementation of a bq2012-based design will be significantly smaller in size. See the bq2012 data sheet (Apr. 1994 or later) for bq2012 specifications.

EV2012

EV2012 Contents

Each package contains the following items:

- 1 EV2012 PC Board
This includes the bq2012 sample, current regulator, programming jumpers, battery divider resistors, and the PC serial port interface.
- 1 EV2012 DQ/RS-232 Cable
- 1 EV2012 (v2.0) User Interface Program Diskette
This program runs on *any AT-compatible computer* equipped with a standard RS-232 (COM1, COM2, COM3, or COM4) serial port, and provides the user with a complete menu-driven system to control, monitor, and log data from the EV2012 Evaluation Board. The User Interface Program communicates with the bq2012 over the DQ serial I/O port using the RS-232 interface.

Please check to make sure that all items are present and in good condition. If you have any problems, please contact your Benchmark representative.

EV2012 Connections

The connections for the EV2012 are described below. Please refer to the attached schematic in conjunction with these descriptions.

- JP1–JP8 **Battery cell divider.** JP1–JP6 are used to divide the battery voltage by 5 to 10. JP7 and JP8 are user-definable, but are configured for 11 and 12 cells on this board. These jumpers are labeled as 5–10, User1, User2 on the PCB.
- JP9 **VCC supply.** This jumper is used to select the VCC supply for the bq2012. When JP9 is set to “B”, the supply is taken from the BAT+ input and is regulated by the bq2012 and Q2. When JP9 is set to “L”, the VCC supply is provided by LBAT+. If VCC is supplied by LBAT+, it must not exceed the specified VCC voltage range in the bq2012 data sheet (Apr. 1994 or later).
- JP10–JP15 **Programming pins 1–6.** These jumpers are used to configure the programming pins. When the jumper is positioned near the PROG# designator, the pins are pulled high. If the jumper is in the other position, the pins are pulled low. If the jumper is removed, the pins are in the high-impedance state. The board is shipped with all pins in the low position. Please refer to the bq2012 data sheet

JP16

(Apr. 1994 or later) for the proper configuration of PROG_{1–6}.

LED enable (LCOM connection). This jumper connects the LCOM pin of the bq2012 to the LEDs. The board is shipped with this jumper enabled.

EMT

EMPTY output. This connection allows the user to monitor the EMPTY output pin provided on the bq2012. This pin is high-impedance when the single-cell divided battery voltage is less than the EDVF threshold (final end-of-discharge warning).

CHG

Charge control output. This connection provides a charge control output based on gas gauge value and temperature. Review the bq2012 data sheet for operation.

DSP

Display input ($\overline{\text{DISP}}$ pin). DSP is connected in parallel with the push-button switch S1 provided on the EV2012 board. An external switch configuration can be made using DSP. When the EV2012 is floating and detects charging or discharging, the LED outputs are active to reflect the charge state. When the DISP input is pulled low, the LEDs reflect the charge state.

EV2012 Configuration

The EV2012 Evaluation Board may be used with or without the DQ/RS-232 Interface Program. The Evaluation Board should first be configured before connecting the battery or the RS-232 cable.

Step 1 Enabling the LEDs (optional)

JP16 should be installed.

Step 2 Connecting the power supply

The EV2012 can operate from power provided by the battery being monitored or from LBAT+. Set the battery divider (JP1–JP8) to the correct number of battery cells prior to connecting the battery. If the bq2012 will be powered from the battery, connect JP9 closer to “B”. If the bq2012 will be powered from an external supply, connect JP9 closer to “L”. **Important: Connect the battery ONLY after setting JP1–JP8 and JP9.**

Step 3 Connecting the RS-232 cable

Connect the cable provided to the serial port of any PC. Please ensure no mem-

Step 4 ory-resident programs use this serial port.
 Connecting the load
 The external load is connected between BAT+ and RET- (J2) on the EV2012. A sense resistor (R16) is in series with the negative terminal of the battery. The EV2012 board is supplied with a 0.1, 1% 3W resistor. Please ensure that the discharge load does not exceed the V_{SR} specification for the bq2012. R16 may be changed to a different-value resistor.

Installing the User Interface Program

The User Interface Program (named “EV2012”) runs on any PC-compatible computer. The program may be run from the disk provided, or it may be installed on any directory on the computer's hard disk. To run the program from the hard disk, simply copy all the files from the disk supplied to the hard disk. All the files should reside in the same directory.

The User Interface Program installs a driver to control the DQ/RS-232 interface. This driver asks which COM port is connected to the EV2012 Evaluation board. If communication is not established with the EV2012 board, the Main Menu does not appear. Please refer to Appendix B (Troubleshooting) if the program does not establish communication with the EV2012.

The EV2012 uses the PC-AT real-time clock to provide the proper bit timing for serial communication with the bq2012. The modem control lines are used as the single-wire serial interface to the bq2012. Any TSR that uses the PC real-time clock affects the operation of the EV2012. For proper operation, the EV2012 should not be operated from a DOS shell program.

If the PC is a notebook or portable type, it may be configured to save battery power by adjusting the clocks ac-

ording to the activity under way. Configure the notebook to run in “High Performance” mode for reliable communication between the EV2012 and the PC. The EV2012 UIP terminates if communication with the EV2012 board is lost.

Start the User Interface Program as follows:

```
C>EV2012
```

Using the EV2012 Program

EV2012 is a menu-driven program. Almost all of the functions and entries are made by positioning the highlighted cursor on the function desired and pressing ENTER, or by typing a value and then pressing ENTER.

Key functions are as follows:

- ARROW keys Use the arrow keys to move the highlighted cursor around the screen.
- ENTER key Press the ENTER key to select the value currently being displayed for a parameter, or to perform a function selected by the highlighted cursor.
- ESCAPE key Press the ESCAPE key to escape from any function back to the main menu, or to escape from any parameter value screen back to the menu displaying that parameter.
- F3 key Press the F3 key to display a help file for the selected function or parameter.

Main Menu

The Main Menu appears after the EV2012 program has started. If this menu does not appear, communication with the EV2012 has not been established; please refer to Appendix B (Troubleshooting) if the EV2012 does not display the Main Menu.

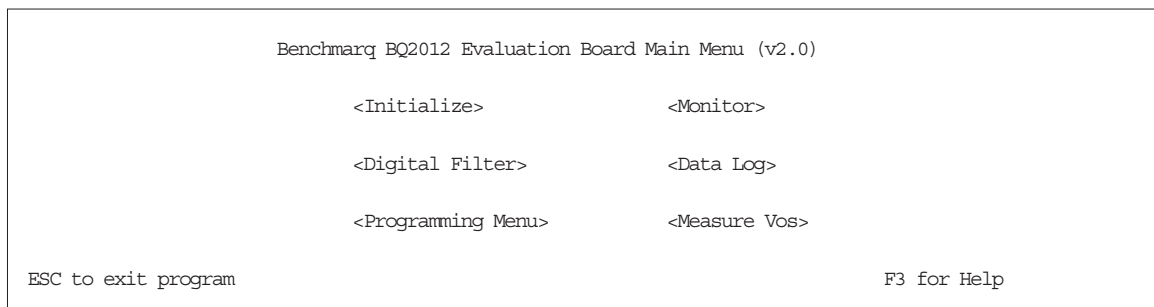


Figure 1. Main Menu

EV2012

The Main Menu shows six functions that may be activated; see Figure 1. Use the cursor keys (arrow keys) to position the highlighted cursor over the function to be activated and press the ENTER key. For help, press the F3 key, and a help note about the function appears. Press the ESCAPE key to exit from the EV2012 program.

The Main Menu functions are as follows:

<Initialize>	Sends a reset command to the bq2012.
<Digital Filter>	Activates a screen from which the Digital Magnitude Filter can be changed. The default filter value is -0.3mV, +0.38mV. The bq2012 data sheet (Apr. 1994 or later) defines valid options for this filter.
<Monitor>	Activates a screen from which the bq2012 activity is monitored on a real-time basis.
<Data Log>	Allows entering a file name to which bq2012 data will be logged, and the logging period in seconds. When the log is activated, the display changes to the Monitor screen with a top display of: Logging Record: xx
<Programming Menu>	Activates a screen showing the current program settings for the bq2012.
<Measure V _{OS} >	This allows the user to determine the apparent offset voltage of the bq2012 under test. A minimum of 6 minutes are required to complete the V _{OS} measurement, which has a resolution of ±0.15mV per 6 minutes.

Digital Magnitude Filter Menu

This menu sets the digital magnitude filter in the bq2012; see Figure 2. Any value from 1 to 255 is valid. Suggested values are displayed on the menu.

Monitor Screen

This screen monitors real-time changes of the bq2012; see Figure 3. The program continually updates the monitor screen. As conditions change, the new values are displayed.

Time	Time of day in HH:MM:DD, 24-hour notation.
Empty/Full	This indicates the current value for GG in the TMPGG register of the bq2012. The capacity value is given in $\frac{1}{16}$ th steps.
Date	Current date in MM/DD/YY notation.
NAC	NAC register values multiplied by the scale value and divided by the sense resistor value to give mA.
LMD	Last Measured Discharge expressed in terms of mA. This is the 8-bit LMD register value multiplied by the scale value times 256 and divided by the sense resistor to give mA.
Sense Resistor Value	This is the sense resistor value from the Programming menu.
Average V _{SR} Current	This is the average battery current.

```

Benchmark BQ2012 Evaluation Board Digital Magnitude Filter Menu
Enter DMF Value from List below: XXX

Current Setting  -0.XXmV=Vsrd      +0.XXmV=Vsrg
Current Threshold (DMF(mv)/Rsns) : XXXXmA
Suggested DMF Settings:           DMF
Vsrd (mV)      Vsrg (mV)
                75          -0.60      0.75
                100         -0.45      0.56
                150 (*)      -0.30      0.38
                175         -0.26      0.32
                200         -0.23      0.28
                * = Default Value

ESC to main menu      Enter to accept new value      F3 for Help
    
```

Figure 2. Digital Magnitude Filter Menu

Time Remaining	During discharge only, this is the time remaining at the average current (NAC / Avg. V _{SR} current)		charging current or a discharge load depending on the PFC and scale selected, and the rate of charge or discharge being applied.
Digital Filter Setting	This is the value of the digital magnitude filter.	VSR Step	This is the value of the V _{SR} current step as defined in the bq2012 data sheet.
Temp Step	This is a display of the active temperature step, which ranges from 0 (for tem-30°C) to 12 for temperatures > 80°C).	GG Step	This is the lower four bits of the TMPGG register that correspond to the current NAC value relative to either the LMD or the original programmed full count (as determined by PROG ₁₋₄). The GG step is reported as a step number from 0 to 15, with step 0 representing available capacity from 0 to 1/16 of full, and 15 representing available capacity from 15/16 full to full.
Activity	This indicates the charging/discharging activity occurring with the battery. CHARGE is displayed if the battery is charging, while DISCHARGING is displayed if the battery is being discharged, or if it is idle (no charging taking place). OVERLOAD is displayed if the voltage drop across the sense resistor exceeds the V _{SR1} threshold. Please note that the appearance of CHARGE or DISCHARGE indicators is rate-dependent, and may take some time after the application of a	Charge Rate	Indicates whether the present charge is TRICKLE or FAST depending on the state of the charge rate (CR) bit in FLGS2.
		First EDV	

```

Benchmark BQ2012 Evaluation Board Real-Time Monitor Screen

Time: 99:99:99      EMPTY **** ____ FULL      Date: 99/99/99

NAC: 99999 mAH      LMD: 99999 mAH      Sense Resistor Value: XXXΩ

Avg Vsr Current: ±9999mA      Time remaining: 9999 min.

Digital Filter Setting: -0.XXmV=VsrD +0.XXmV=VsrQ      Temp Step: XX

Activity: XXXXX      Vsr Current Step: XX      GG Step: XX

Charge Rate: XXXX      First EDV: XXX      Batt. Rem'vd: XXX

Valid Discharge: XXX      Final EDV: XXX      Batt. Repl'd: XXX

Capacity Inaccurate: XXX      Capacity Inaccurate Count: XXX

FLGS1: X X X X X X X X      FLGS2: X X X X _ _ _ X
      C B B C V C E E      C D D D N N N O
      H R R I D H D D      R R R R / / / V
      G P M Q G V V      2 1 0 U U U L
      S / 1 F      D

ESC to main menu      F1 to modify NAC      F2 to modify LMD
    
```

Figure 3. Real-Time Monitor Screen

EV2012

	This is the state of the EDV1 flag. The EDV1 flag latches ON if V_{SB} drops below the EDV1 threshold value. It remains latched until charging is detected, at which time it is cleared.		been updated during the last 64 charge cycles.
Battery Removed	This is the state of the battery removed flag. It is set (BRM = yes) if one of the conditions indicating battery removed occurs. This flag is reset when the battery is replaced.	Capacity Inaccurate Count	This is the number of charge cycles between an LMD update. This counter is reset to zero when NAC = LMD after a valid LMD update.
Valid Discharge	This is the state of the VDQ bit in FLGS1. VDQ = yes if the bq2012 is charged until NAC = LMD. VDQ = no indicates the present discharge is not valid for LMD update.	FLGS1	This indicates the present state of the FLGS1 resistor.
Final EDV	This is the state of the EDVF flag. The EDVF flag latches ON if V_{SB} drops below the EDVF threshold value. It remains latched until charging is detected, at which time it is cleared.	FLGS2	This indicates the present state of the FLGS2 resistor.
Battery Replaced	This is the state of the battery replaced flag. It is set (BRP = yes) if the battery valid condition returns after setting the battery removed flag. The battery replaced flag is cleared if the battery is discharged to the EDV1 level or if it is charged to NAC = LMD. This flag is set after a EV2012 initialization.		
Capacity Inaccurate	This is the state of the capacity inaccurate bit in FLGS1. It is set (CI = yes) to indicate that the battery capacity has not		

Modifying NAC and LMD

It is possible to change the values of the NAC and LMD parameters from the screen using the F1 and F2 function keys as follows.

Changing NAC (F1)

- 1) Press the F1 key. The NAC field is highlighted.
- 2) Enter the value in mA and press the ENTER key to store the value.

Note: Changing NAC disqualifies a subsequent LMD update.

Changing LMD (F2)

- 1) Press the F2 key. The LMD field is highlighted.
- 2) Enter the value in mA and press the ENTER key to store the value.

Benchmark BQ2012 Programming Menu			
Sense Resistor:	0.1	Scale Factor:	1/80
Display Full:	RELATIVE	PFC:	XXXX mVH
Self-Discharge Rate:	1/47 NAC/day	Battery Capacity	9999 mA
Programming Pin Configuration			
Prog-1 *	Prog-4 *		
Prog-2 *	Prog-5 *		
Prog-3 *	Prog-6 *		
ESC to main menu		F3 for Help	

Figure 4. Programming Menu

Programming Menu

This menu is accessed by selecting the <Programming Menu> function on the Main Menu. The Programming Menu represents the state of the bq2012 programming pins; see Figure 4. To change the bq2012 programming, reconfigure jumpers JP10–JP15 and initialize the bq2012. The reset allows the bq2012 to read the program pins.

Sense Resistor	Enter the value of sense resistor in ohms. Typical values range from 0.02 to 0.1 Ω . The sense resistor value is used by the EV2012 UIP to develop meaningful information in terms of A, mA, and mAH in relation to battery capacity and current. The default value is 0.1. Values from 0.005 to 0.256 are saved in the battery ID RAM byte of the bq2012. Values greater than 0.256 must be re-entered each time EV2012 is started.
Scale Factor	Select the scale factor from the available scales using JP12. Like the sense resistor, the scale factor is used to develop meaningful information for the programmed full count tables, battery full, and available capacity indications.
Display Full	Use JP15 to choose between RELATIVE and ABSOLUTE full reference for the LED display.
PFC	Select the programmed full count using JP10 and JP11. Note that the selected PFC and the sense resistor value are used to determine the initial battery full capacity (mAh) represented by the PFC.
Battery Capacity	This display indicates the battery capacity represented by dividing the PFC by the sense resistor. In practice, picking a PFC and sense resistor that provide a battery full value slightly lower than (within 5%) the rated battery capacity is recommended.
Self-Discharge Rate	Select one of two available self-discharge rates depending on the application and battery type using JP13.
Programming Pin Configuration	This displays indicates the programming of the bq2012 by displaying H, Z, or L depending on the state of the program pins. Please refer to the bq2012 data sheet for further details.

Data Logging

The data log is activated from the Main Menu by selecting the Data Log function. A filename to be used and the log sample period must be entered. For example:

```
Log Data to Filename: <filename.ext>
Enter Sample Period (10 sec or greater):<xx>
Opening Data Log File
```

When the data log is started, the Monitor Screen displays the number of the current log record between the time and date fields at the top of the screen. To terminate the data log, press the ESCAPE key. The file is closed and data logging is terminated.

The data log record contains fields of ASCII data separated by tab characters. The field names and descriptions in record order are listed below.

TIME	Time record written in seconds
LMD	LMD value in mAH
NAC	NAC value in mAH
Avg. Discharge Current	Average V_{SR} battery current
FLAGS1	Binary setting of FLAGS1 flags: Bit Meaning 0 EDVF flag state 1 EDV1 flag state 2 Not used 3 VDQ (valid discharge) 4 Capacity inaccurate 5 Battery removed flag state 6 Battery replaced flag state 7 Charge active flag state
FLAGS2	Binary setting of FLAGS2 flags: Bit Meaning 0 Overload flag state 1–3 Not used 4–6 Discharge rate 7 Charge rate

The log records should be readable by most spreadsheet programs.

EV2012

Measure Vos Screen

This screen is used to measure the V_{OS} of the bq2012; see Figure 5. A minimum of 360 seconds are required to

perform this test. Pressing the ESC key terminates the test in progress. Operating the test for a longer period increases the resolution of the test. A “beep” signals test completion.

```
Benchmark EV2012 Evaluation Board  $V_{OS}$  Measurement

Present DMF Setting      -XXXmV=Vsrd      +XXXmV=Vsrg
Current Threshold (DMF(mv)/Rsns): XXXXmA
Do you want to test Vos?: Y/N
Calculated Vos: Vos XXXmV, over last xxxx seconds
Elapsed time: XXXX seconds

**Note: There must be no charge/discharge activity on the bq2012 for this test
to be valid. Running the test for a longer period of time increases
the Vos measurement resolution. This test requires a minimum
of 6 minutes before any value is displayed.

ESC to main menu                                F3 for Help
```

Figure 5. VOS Measurement Screen

Appendix A: AP12 User's Guide

The AP12 utility (AP12A.EXE) is used to communicate with the bq2012 on a register basis. AP12 uses a driver to communicate with the EV2012 over serial port on a PC-AT personal computer.

AP12

The AP12 utility is started by executing AP12A.EXE. After AP12 is started, the following prompt is displayed:

```
Select COM Port < 1 2 3 4 >
```

Commands

The user can respond with various commands at the prompt. Pressing "Q" causes the program to terminate.

```
-> ?
```

The following commands are available:	
?	This display is shown.
A	Send break.
Q	Quit and return to DOS.
R#	Read at address #.
S#	Scan at address #.
W# = **	Write at address # value **.

Pressing the ? key displays following menu:

These commands may be used to send or receive data from the EV2012.

```
-> A
```

If A is entered in response to ->, then a break bit is sent to the EV2012. This may be used to restart the communication if a problem appears. If the prompt does not return immediately, then proper communication has not been established; please refer to Appendix B for troubleshooting procedures.

```
-> R#
```

If R# is entered in response to ->, where # is an applicable address in HEX format, AP12 returns the value at that location from the EV2012. The addresses are defined in the bq2012 data sheet. For example:

```
-> R03
```

causes the display to show:

```
R03= ##
```

where ## is the current NAC value in HEX format.

Address 00 is used to read and display all readable registers.

```
-> S#
```

If S# is entered in response to ->, where # is a valid bq2012 address in HEX format, AP12 continuously reads and displays the value at that location. The addresses are defined in the bq2012 data sheet. For example:

```
-> S03
```

causes the display to show:

```
Address 3 = ## after XXX.XX sec.
```

where ## is the value at location 03 and XXX.XX is the number of seconds between changes in this value.

```
-> W# = **
```

If W#=#** is entered in response to ->, where # is an applicable address in HEX format and ** is the value to be written, AP12 writes the value to that location. The addresses are defined in the bq2012 data sheet. For example:

```
-> W05 = A0
```

causes the program to write A0 in location 05hex (LMD register).

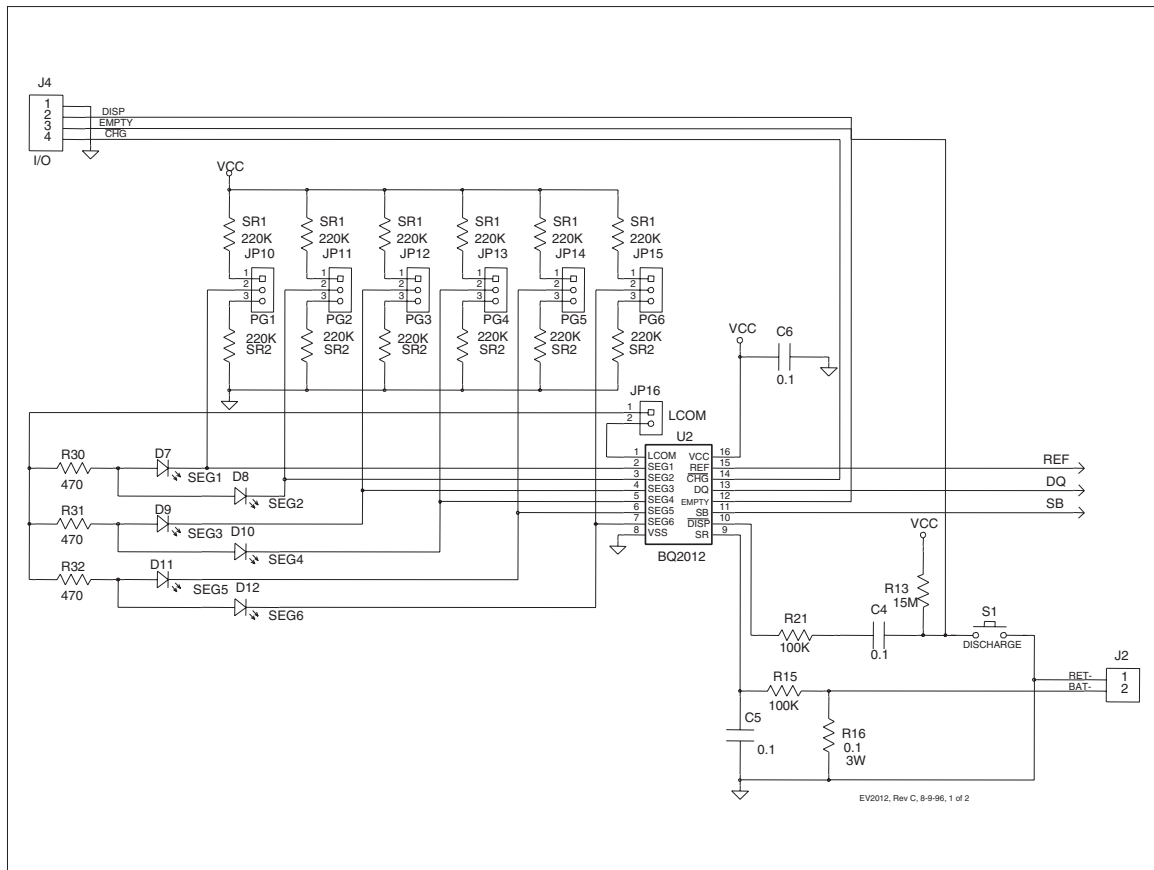
EV2012

Appendix B: Troubleshooting

If the EV2012 Main Menu does not appear after starting EV2012, then communication to the bq2012 has not been established. Please check the following:

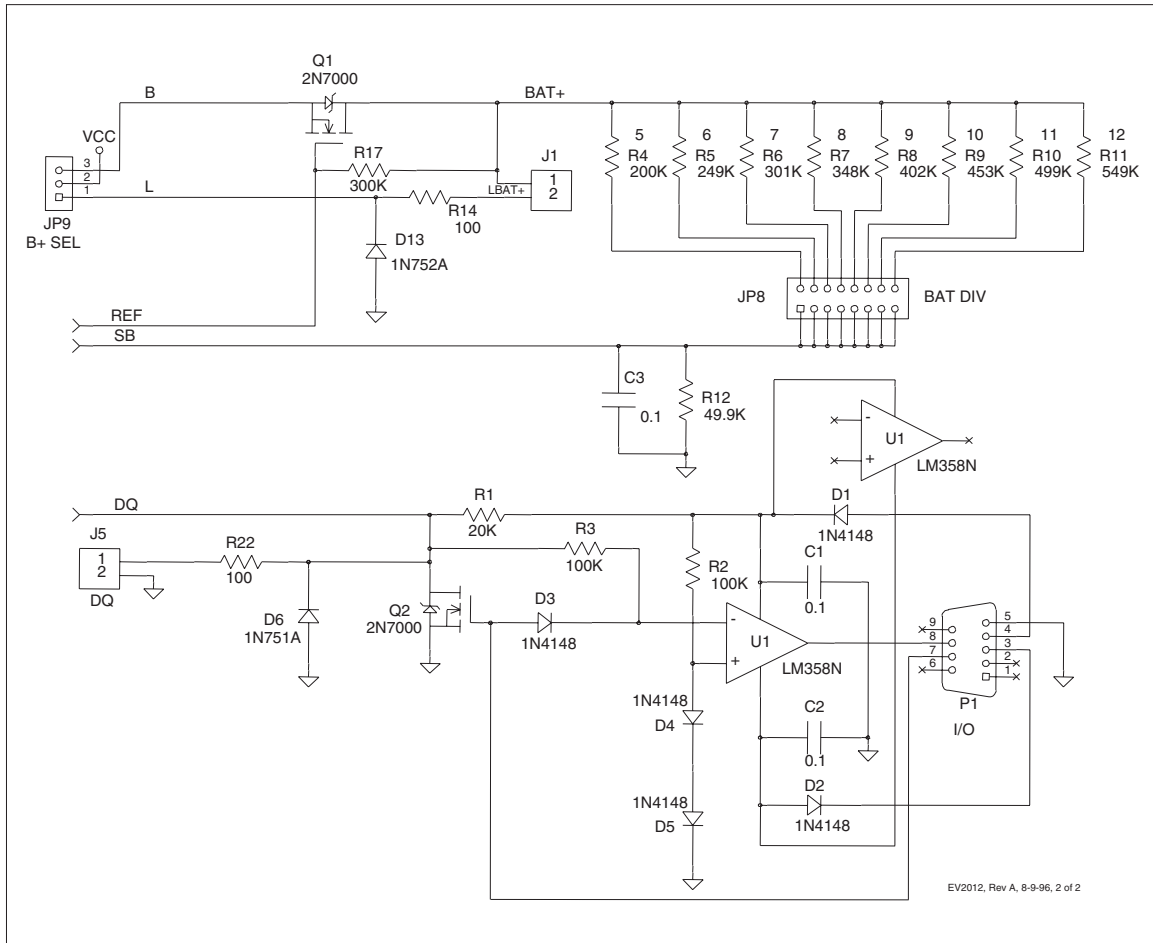
1. Confirm the proper serial port is being used.
2. Confirm the battery divider is properly set for the number of cells in the battery pack.
3. Confirm JP9 is properly set for either an external supply through LBAT+ (J1) or the microregulator. JP9 closer to "B" enables the microregulator, while JP9 closer to "L" enables LBAT+. If the battery divider on JP9 is not set properly, the bq2012 will not operate, and the EV2012 UIP or AP12 will not work.
4. Confirm the battery is attached between BAT+ and BAT- (J1 and J2).
5. Push S1. SEG1 LED should be on indicating that the bq2012 is properly powered.
6. If the LED is not on, check the battery voltage on pin 16 of the bq2012 to determine if it is above 3V but below 6.5V.
7. If the LED is on, and the EV2012 Main Menu still does not appear, try using AP12 to establish communication. Appendix A describes AP12.
8. If communication cannot be established using AP12, the problem is either the RS-232 port in the PC or the EV2012 interface section. Please contact Benchmarq if the interface section is not working properly on the EV2012 board.

Appendix C: EV2012 Schematic



Rev. C Board

Appendix C: EV2012 Schematic (Continued)



Data Sheet Revision History

Change No.	Page No.	Description	Nature of Change
1	1	Updated page numbers for Contents section	Update to page numbers

Note: Change 1 = Dec. 1996 changes from July 1994.

IMPORTANT NOTICE

Texas Instruments and its subsidiaries (TI) reserve the right to make changes to their products or to discontinue any product or service without notice, and advise customers to obtain the latest version of relevant information to verify, before placing orders, that information being relied on is current and complete. All products are sold subject to the terms and conditions of sale supplied at the time of order acknowledgement, including those pertaining to warranty, patent infringement, and limitation of liability.

TI warrants performance of its semiconductor products to the specifications applicable at the time of sale in accordance with TI's standard warranty. Testing and other quality control techniques are utilized to the extent TI deems necessary to support this warranty. Specific testing of all parameters of each device is not necessarily performed, except those mandated by government requirements.

CERTAIN APPLICATIONS USING SEMICONDUCTOR PRODUCTS MAY INVOLVE POTENTIAL RISKS OF DEATH, PERSONAL INJURY, OR SEVERE PROPERTY OR ENVIRONMENTAL DAMAGE ("CRITICAL APPLICATIONS"). TI SEMICONDUCTOR PRODUCTS ARE NOT DESIGNED, AUTHORIZED, OR WARRANTED TO BE SUITABLE FOR USE IN LIFE-SUPPORT DEVICES OR SYSTEMS OR OTHER CRITICAL APPLICATIONS. INCLUSION OF TI PRODUCTS IN SUCH APPLICATIONS IS UNDERSTOOD TO BE FULLY AT THE CUSTOMER'S RISK.

In order to minimize risks associated with the customer's applications, adequate design and operating safeguards must be provided by the customer to minimize inherent or procedural hazards.

TI assumes no liability for applications assistance or customer product design. TI does not warrant or represent that any license, either express or implied, is granted under any patent right, copyright, mask work right, or other intellectual property right of TI covering or relating to any combination, machine, or process in which such semiconductor products or services might be or are used. TI's publication of information regarding any third party's products or services does not constitute TI's approval, warranty or endorsement thereof.