

# TPS54538 Step-Down Converter Evaluation Module



## Description

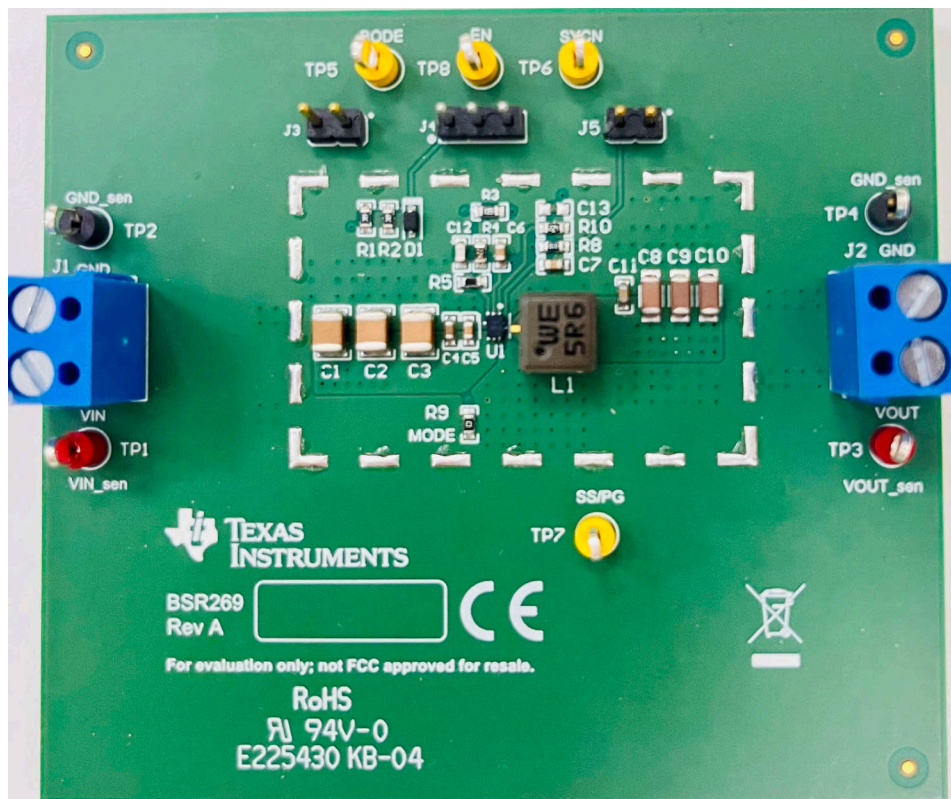
The TPS54538EVM is a fully assembled and tested circuit for evaluating the TPS54538 converter. The evaluation module is configured to operate from input voltage range of 3.8V to 28V and produce a regulated 5.0V output with up to 5A load current. Most settings of the device can be easily adjusted or set through jumpers, such as: operation mode, soft start time and switching frequency.

## Features

- 3.8V to 28V input voltage range
- 0.6V to 22V output voltage range
- Support 5A continuous output current
- Selectable Eco-mode™ and FCCM™ mode
- Adjustable switching frequency
- Easy to use and small solution size

## Applications

- [Medical and healthcare, building automation, test and measurement](#)
- [Multifunction printers, enterprise projectors](#)
- [Portable electronics, connected peripherals](#)
- [Wired networking, wireless infrastructure](#)



# 1 Evaluation Module Overview

## 1.1 Introduction

The TPS54538 is a single, PCM™ control mode, synchronous buck converter requiring a very low external component count. The TPS54538 synchronous buck converter used in the EVM has the following features:

- 3.8V to 28V input voltage range
- 0.6V to 22V output voltage range
- Integrated 47mΩ/ 21mΩ MOSFET
- Support 5A continuous output current
- Non-latched protections for OTP, OCP, OVP, UVP, and UVLO
- 0.6V±1.0% output voltage accuracy
- Selectable adjustable soft-start time (1- 10ms)/PG function (fixed soft start time)
- Selectable switching frequency of 200kHz and 2200kHz
- Selectable Eco-mode™ and FCCM™ mode under light load operation

This user's guide describes the characteristics, operation, performance, and use of the Texas Instruments' TPS54538 evaluation module (EVM). The TPS54538EVM is designed to help user easily evaluate and test the operation and functionality of the TPS54538. This user's guide includes the following:

- Setup instructions for the hardware
- Printed-circuit board layouts for the EVM
- Schematic diagram
- Bills of material
- Test results for the EVM

## 1.2 Kit Contents

- TPS54538EVM Circuit Board
- EVM Disclaimer Read Me
- Prototype EVM Disclaimer Read Me

## 1.3 Specification

A summary of the TPS54538EVM performance specifications is provided in [Table 1-1](#). Specifications are given for 24V input voltage and 5.0V output voltage, unless otherwise noted. The ambient temperature is 25°C for all measurement, unless otherwise noted.

**Table 1-1. TPS54538EVM Performance Specifications Summary**

Specifications		Test Conditions	MIN	TYP	MAX	Unit
V <sub>IN</sub>	Input voltage		5.5		28	V
V <sub>OUT</sub>	Output voltage		4.95	5.0	5.05	V
f <sub>SW</sub>	Operating frequency	V <sub>IN</sub> = 24V, I <sub>OUT</sub> = 5A		500		kHz
I <sub>OUT</sub>	Output current range		0		5	A
HSOC	High-side peak current limit		7	8.1	9.4	A
LSOC	Low-side peak current limit		5	6	7	A

## 1.4 Device Information

The TPS54538 evaluation module (EVM) is a single, synchronous buck converter providing 5.0V at 5A from a 5.5V to 28V input.

**Table 1-2. Input Voltage and Output Current Summary**

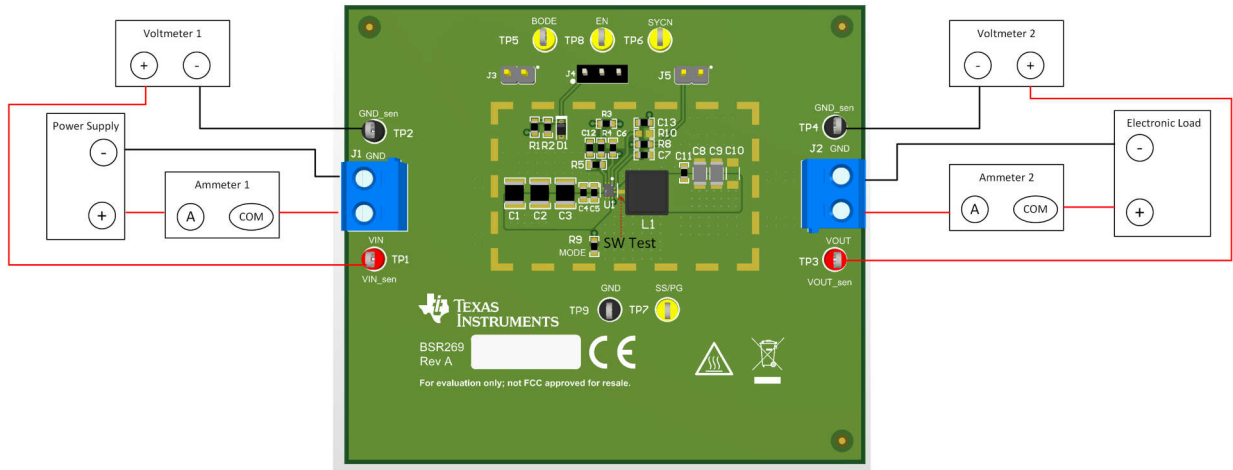
EVM	Input Voltage (V <sub>IN</sub> ) Range	Output Current (I <sub>OUT</sub> ) Range
TPS54538EVM	5.5V to 28V	0A to 5A

## 2 Hardware

### 2.1 Test Setup and Procedure

#### 2.1.1 EVM Connections

Referencing the EVM connections described in [Table 2-1](#), the recommended test setup to evaluate the TPS54538 is shown in [Figure 2-1](#). Working at an ESD-protected workstation, make sure that any wrist straps, boot straps, or mats are connected and referencing the user to earth ground before handling the EVM.



**Figure 2-1. EVM Test Setup**

**Table 2-1. EVM Power Connections**

LABEL	DESCRIPTION
VIN (J1)	Positive input voltage to the converter
GND (J1)	Negative input voltage to the converter
VOUT (J2)	Positive output voltage of the converter
GND (J2)	Negative output voltage of the converter

**Table 2-2. EVM Signal Connections**

LABEL	DESCRIPTION
VIN_sen(TP1)	Measure input voltage.
VOUT_sen(TP3)	Measure output voltage.
GND(TP9)	Ground of the converter.
SS/PG (TP7)	Soft-Start function or Power-Good function depending on the mode selection.
BODE(TP5)	Injection point for loop response.
EN (TP8)	EN indicator of converter.
SYNC (TP6)	SYNC clock injection.
Header (J3 and J4)	Leaving J3 and J4 open enables the converter. Connect (PIN-1 to PIN-2) of J3 and (PIN-1 to PIN-2) of J4 can set system UVLO voltage with an external resistor divider R1 and R2. Connect (PIN-1 to PIN-2) of J3 and (PIN-2 to PIN-3) of J4 can disable the converter.
Header (J5)	When Power-Good mode selected, connecting (PIN-1 to PIN-2) of J5 for PG pin connected to pullup voltage.

## 2.1.2 Test Equipment

**Voltage Source:** Use an input voltage source capable of supplying 0V to 28V and 5A.

### Multimeters:

- **Voltmeter 1:** Input voltage at VIN\_SNS to GND\_SNS. Set the voltmeter to an input impedance of 100M $\Omega$ .
- **Voltmeter 2:** Output voltage at VOUT\_SNS to GND\_SNS. Set the voltmeter to an input impedance of 100M $\Omega$ .
- **Ammeter 1:** Input current. Set the ammeter to 1-second aperture time.
- **Ammeter 2:** Output current. Set the ammeter to 1-second aperture time.

**Electronic Load:** The load must be an electronic constant-resistance (CR) or constant-current (CC) mode load capable of 0A to 5A at 5.0V. For a no-load input current measurement, disconnect the electronic load as the load can draw a small residual current.

**Oscilloscope:** With the scope set to 20MHz bandwidth and AC coupling, measure the output voltage ripple directly across an output capacitor with a short ground lead normally provided with the scope probe. Place the oscilloscope probe tip on the positive terminal of the output capacitor, holding the ground barrel of the probe through the ground lead to the negative terminal of the capacitor. The switching waveforms can be tested by a probe tip click to copper of SW node. TI does not recommend using a long-leaded ground connection because this can induce additional noise given a large ground loop. To measure other waveforms, adjust the oscilloscope as needed.

**Safety:** Always use caution when touching any circuits that can be live or energized.

## 2.1.3 Recommended Test Setup

### 2.1.3.1 Input Connections

1. Prior to connecting the DC input source, set the current limit of the input supply to 0.1A maximum. Make sure the input source is initially set to 0V and connected to the VIN and GND of J1 as shown in [Figure 2-1](#).
2. Connect voltmeter 1 at VIN\_SNS and GND\_SNS connection points to measure the input voltage.
3. Connect ammeter 1 to measure the input current and set to at least 1-second aperture time.

### 2.1.3.2 Output connections

1. Connect electronic load to VOUT and GND of J2 connection. Set the load to constant-resistance mode or constant-current mode at 0A before applying input voltage.
2. Connect voltmeter 2 at VOUT\_SNS and GND\_SNS connections to measure the output voltage.
3. Connect ammeter 2 to measure the output current.

## 2.1.4 Test Procedure

### 2.1.4.1 Line and Load Regulation, Efficiency

1. Set up the EVM as previously described.
2. Set the load to constant resistance or constant current mode and to sink 0A.
3. Increase input source from 0V to 24V; use voltmeter 1 to measure the input voltage.
4. Increase the current limit of the input supply to 5A.
5. Using voltmeter 2 to measure the output voltage,  $V_{OUT}$ , vary the load current from 0A to 5A;  $V_{OUT}$  must remain within the load regulation specification.
6. Set the load current to 2.5A (50% rated load) and vary the input source voltage from 5.5V to 28V;  $V_{OUT}$  must remain within the line regulation specification.
7. Decrease load to 0A. Decrease input source voltage to 0V.

## 3 Implementation Results

### 3.1 Performance Data and Results

The typical performance curves for the TPS54538EVM are shown in [Figure 3-1](#) through [Figure 3-8](#). Since the actual performance data can be affected by measurement techniques and environmental variables, these curves are presented for reference and can differ from actual field measurements.

#### 3.1.1 EVM Characteristics

The electrical characteristics are shown in [Table 3-1](#).

**Table 3-1. Electrical Performance Characteristics**

Parameter	Test Conditions	MIN	TYP	MAX	Unit
<b>INPUT CHARACTERISTICS</b>					
Input voltage range, $V_{IN}$	Operating	5.5		28	V
Input current, non-switching, $I_{VIN}$	No load, $V_{EN} = 5V$ , non-switching, PFM		28	34	$\mu A$
	No load, $V_{EN} = 5V$ , non-switching, FPWM		40	47	
Input current, shutdown, $I_{VINSN}$	No load, $V_{EN} = 0V$		3	5.5	$\mu A$
VIN Under voltage lockout, VIN(UVLO)	Rising Vin	3.4	3.6	3.8	V
	Falling Vin	3.2	3.4	3.6	
	Hysteresis		0.2		
EN Threshold high-level, $V_{EN(ON)}$	$T_J = 25^\circ C$		1.15	1.22	V
EN Threshold low-level, $V_{EN(OFF)}$	$T_J = 25^\circ C$	0.9	1		V
<b>OUTPUT CHARACTERISTICS</b>					
Output voltage, $V_{OUT}$	$T_J = 25^\circ C$	4.95	5.0	5.05	V
Output current, $I_{OUT}$	$V_{IN} = 5.5V$ to 24V	0		5	A
Soft-start time, $t_{SS}$	Internal soft-start time with PG Enabled.		3.6		ms
<b>SYSTEM CHARACTERISTICS</b>					
Switching frequency, $F_{SW}$	CCM operation	200		2200	kHz
Modulation frequency, $F_M$			10		kHz
Spread of internal oscillator with Spread Spectrum Enabled, $f_{SPREAD}$			$\pm 8\%$		
TPS54538 operating junction temperature, $T_J$		-40		150	$^\circ C$

### 3.1.2 Conversion Efficiency

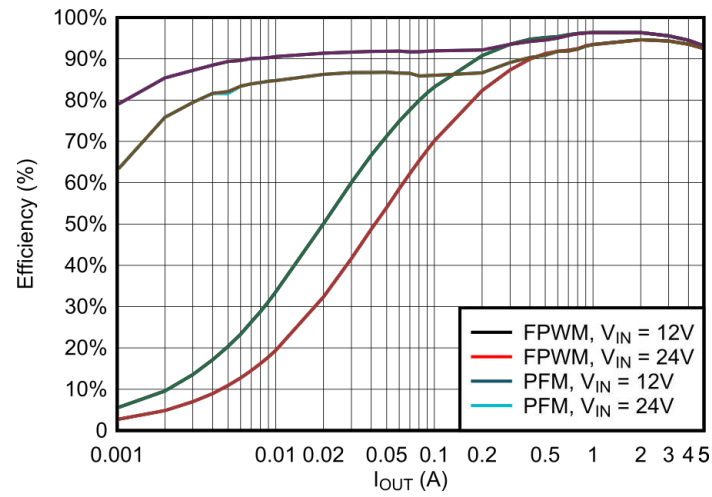


Figure 3-1. Efficiency, ECO mode, V<sub>OUT</sub> = 5.0V, 500kHz



### 3.1.3 Operating Waveforms

#### 3.1.3.1 Start-Up and Shutdown with EN

The following figures show the TPS54538EVM start-up and shutdown waveforms relative to EN.

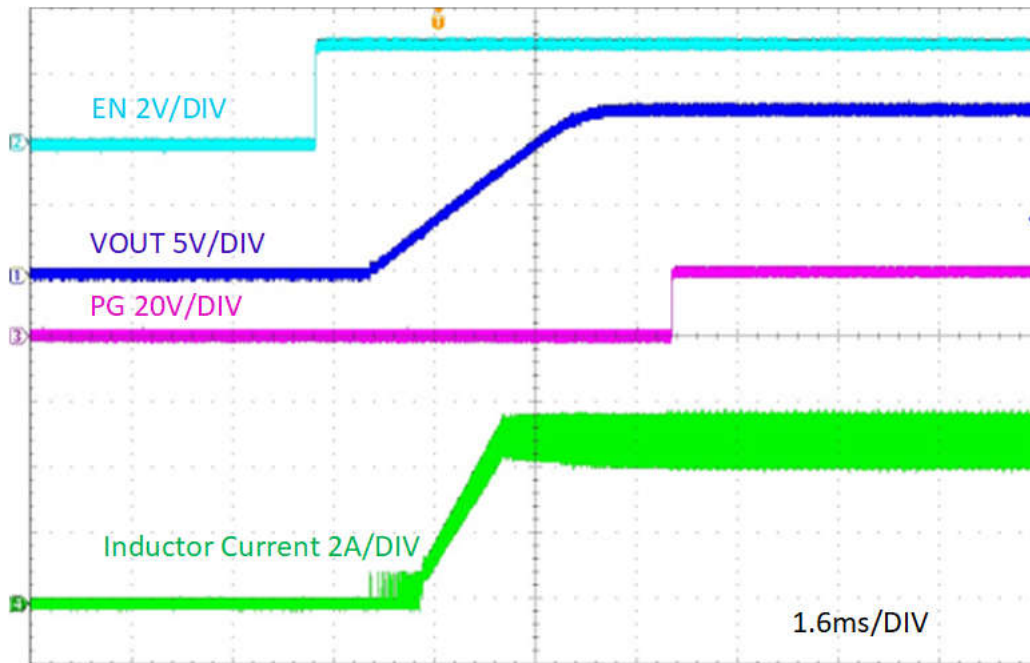


Figure 3-2. Start-Up Relative to EN,  $V_{IN} = 24V$ ,  $I_{OUT} = 5A$

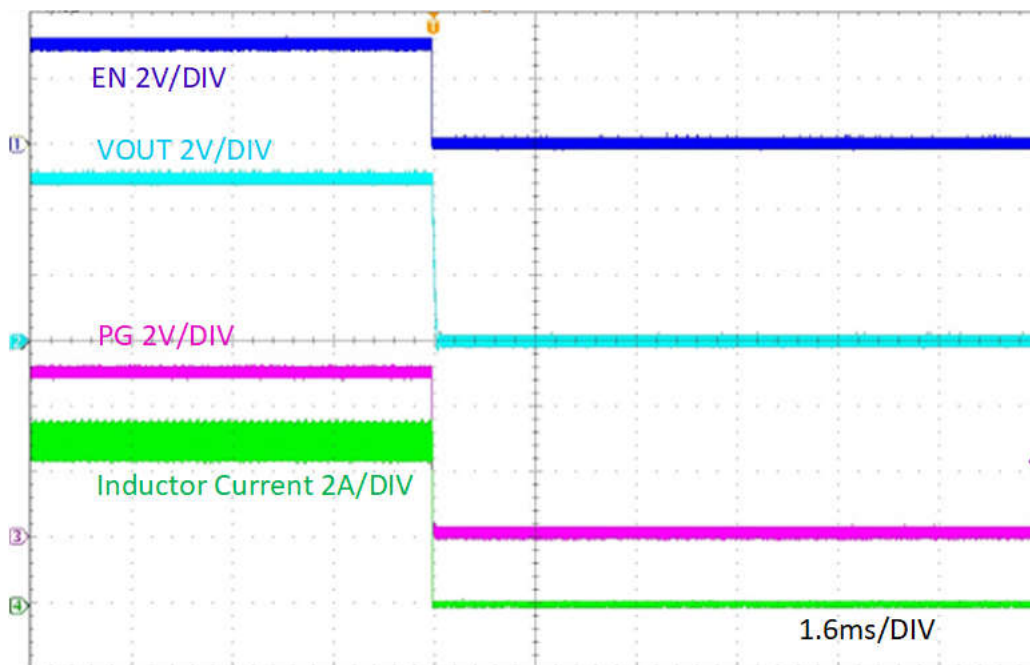


Figure 3-3. Shutdown Relative to EN,  $V_{IN} = 24V$ ,  $I_{OUT} = 5A$

### 3.1.3.2 Start-Up with VIN

The TPS54538EVM start-up waveform relative to VIN is shown in Figure 3-4.

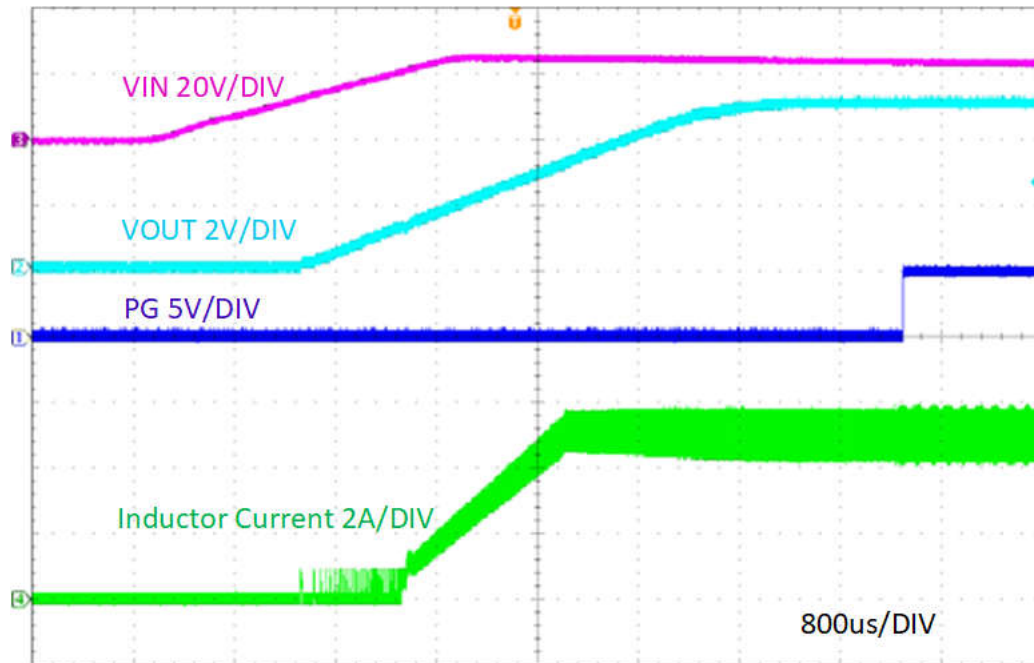


Figure 3-4. Start-Up Relative to VIN, EN floating,  $I_{OUT} = 5A$

### 3.1.3.3 Load Transient Response

The TPS54538EVM load transient response is shown in Figure 3-5.

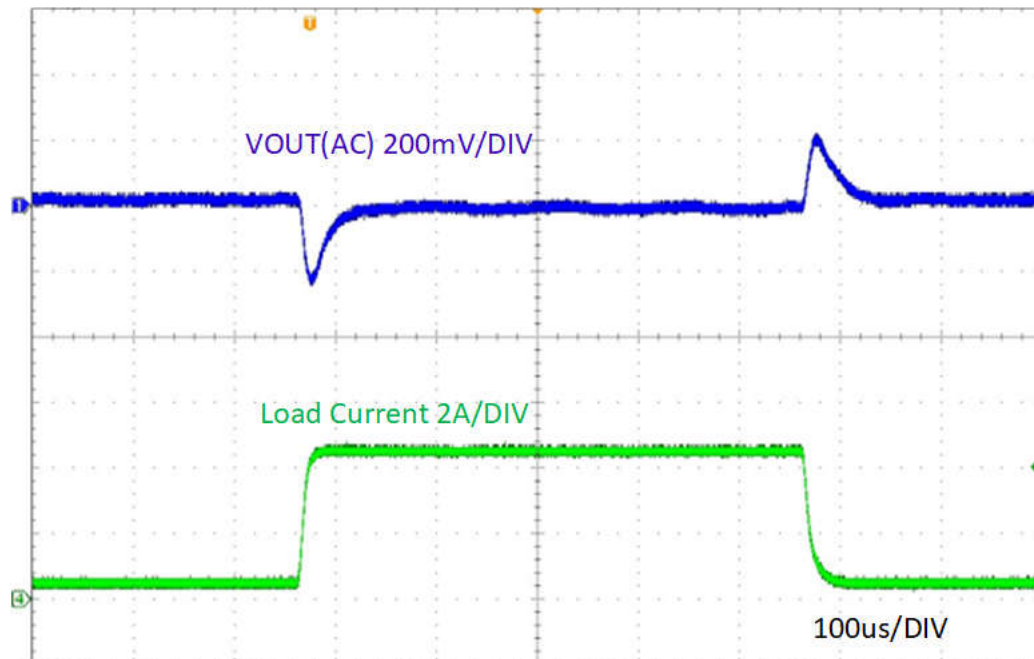


Figure 3-5. Load Transient Response,  $V_{IN} = 24V$ , 0.5A to 4.5A at 1.6A/ $\mu s$



### 3.1.3.4 Output Voltage Ripple

The TPS54538EVM output voltage ripple is shown in Figure 3-6 and Figure 3-7.

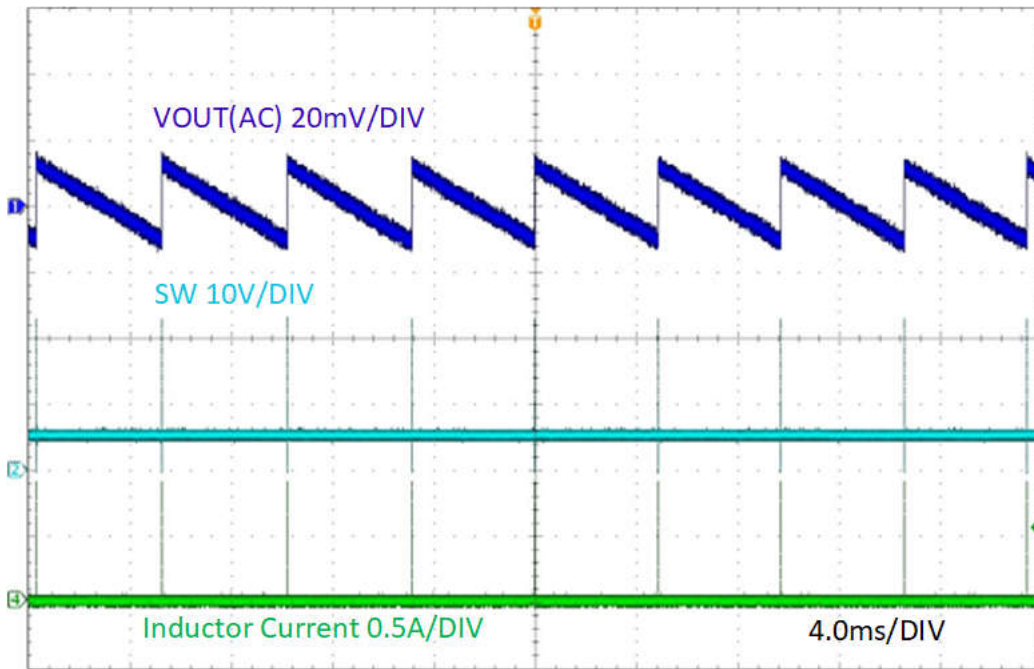


Figure 3-6. TPS54538EVM Output Voltage Ripple,  $I_{OUT} = 0A$ , Eco-mode

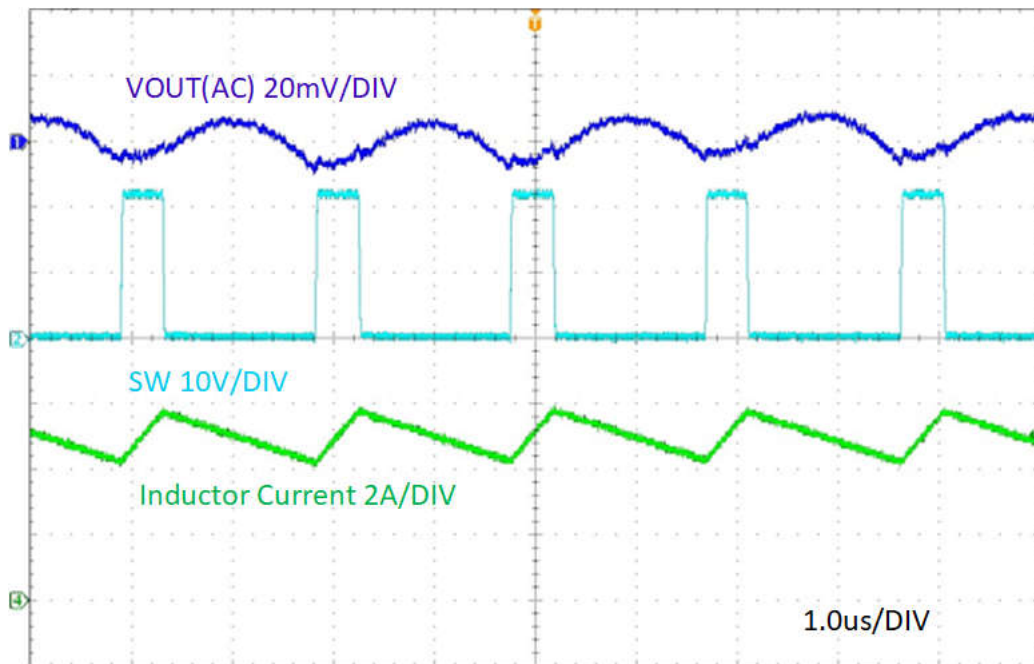


Figure 3-7. TPS54538EVM Output Voltage Ripple,  $I_{OUT} = 5A$

### 3.1.4 Thermal Performance

The thermal performance image is shown in [Figure 3-8](#).

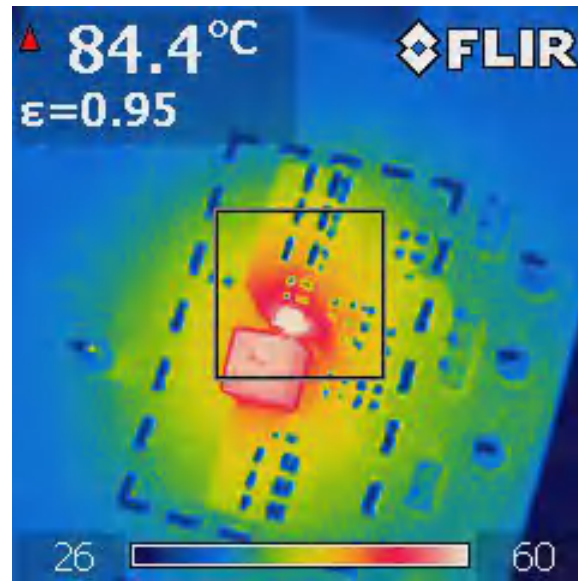
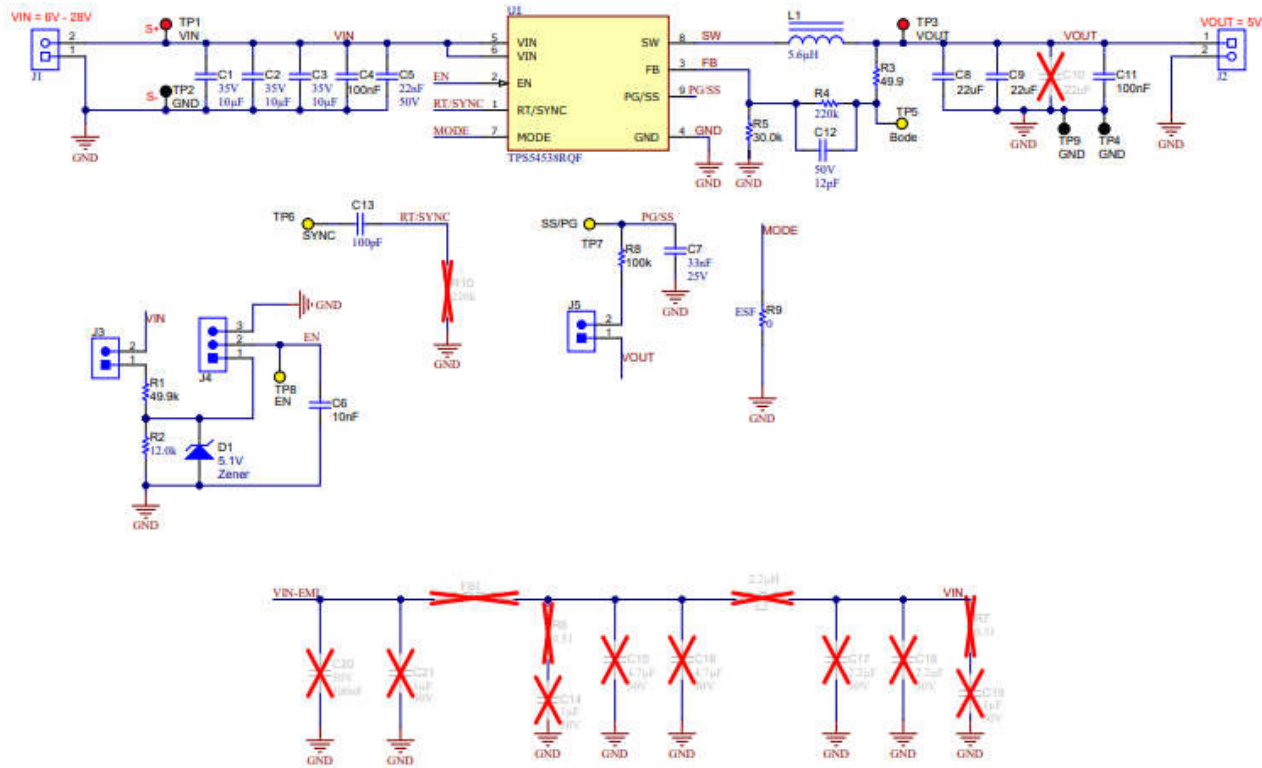


Figure 3-8. Thermal Performance,  $V_{IN} = 24V$ ,  $I_{OUT} = 5A$ ,  $T_{amb} = 25^{\circ}C$ , No Airflow

## 4 Hardware Design Files

### 4.1 Schematic

The schematic for the TPS54538EVM is shown in [Figure 4-1](#).



**Figure 4-1. TPS54538EVM Schematic Diagram**

The default operating frequency of TPS54538EVM is 500kHz with RT resistor(R10) float, and default mode is ECO, external soft start, spread spectrum. If another frequency or mode is needed, then refer to related description of RT and mode in the [TPS54538 3.8V to 28V, 5A, 4A, 3A, Synchronous Buck Converters](#) data sheet.

## 4.2 PCB Layout

The design of the TPS54538EVM using a four-layer PCB with 2-oz copper thickness is shown in [Figure 4-2](#) through [Figure 4-5](#).

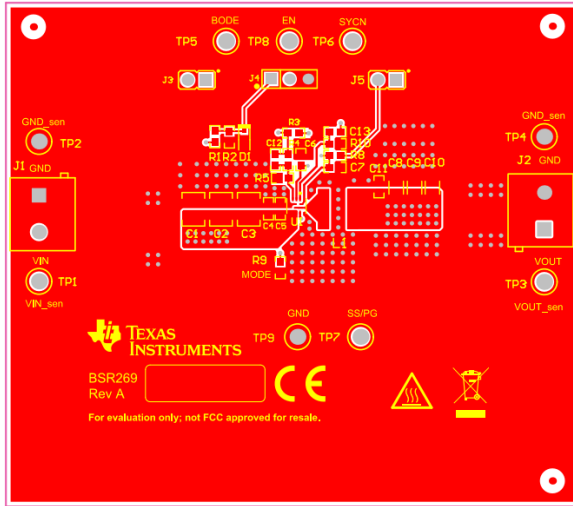


Figure 4-2. Top Copper (Top View)

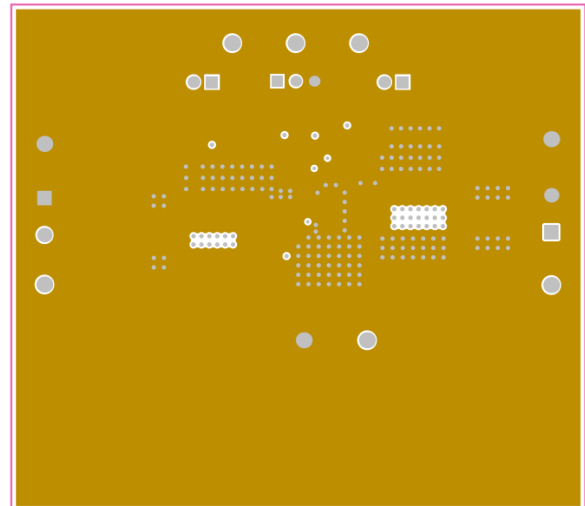


Figure 4-3. Layer 2 Copper (Top View)

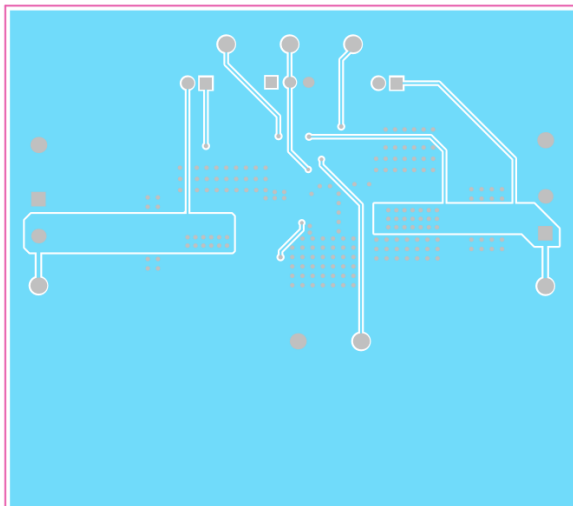


Figure 4-4. Layer 3 Copper (Top View)

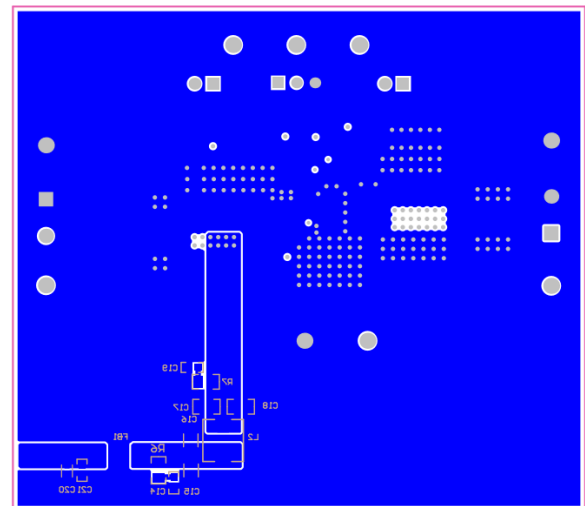


Figure 4-5. Bottom Copper (Top View)

### 4.3 Bill of Materials

The TPS54538EVM bill of materials is shown in [Table 4-1](#).

**Table 4-1. Bill of Materials**

Designator	Qty	Description	Part Number	Manufacturer <sup>(1)</sup>
!PCB1	1	Printed Circuit Board	BSR269	Any
C1, C2, C3	3	CAP, CERM, 10µF, 35V, +/- 10%, X7R, 1210	GRM32ER7YA106KA12K	MuRata
C4, C11	2	CAP, CERM, 0.1µF, 50V, +/- 10%, X7R, AEC-Q200 Grade 1, 0603	C0603C104K5RACAUTO	Kemet
C5	1	CAP, CERM, 0.022µF, 50V, +/- 10%, X7R, 0603	C0603C223K5RACTU	Kemet
C6	1	CAP, CERM, 0.01µF, 50V, +/- 5%, X7R, 0603	C0603C103J5RACTU	Kemet
C7	1	CAP, CERM, 0.033µF, 25V, +/- 5%, X7R, 0603	C0603C333J3RACTU	Kemet
C8,C9	1	CAP, CERM, 22µF, 35V, +/- 20%, X5R, 1206	C3216X5R1V226M160AC	TDK
C12	1	CAP, CERM, 12pF, 50V, +/- 5%, C0G/NP0, 0603	C0603C120J5GACTU	Kemet
C13	1	CAP, CERM, 100pF, 50V, +/- 1%, C0G/NP0, 0603	C0603C101F5GACTU	Kemet
D1	1	Diode, Zener, 5.1V, 200mW, SOD-323	MMSZ5231BS-7-F	Diodes Inc.
FID1, FID2, FID3	3	Fiducial mark. There is nothing to buy or mount.	N/A	N/A
J1, J2	2	Terminal Block, 5.08mm, 2x1, Brass, TH	ED120/2DS	On-Shore Technology
J3,J5	2	Header, 100mil, 2x1, Gold, TH	PBC02SAAN	Sullins Connector Solutions
J4	1	Header, 100mil, 3x1, Tin, TH	PEC03SAAN	Sullins Connector Solutions
L1	1	Inductor, Shielded, Hyperflux, 5.6µH, 6.9A, 0.0165 ohm, SMD	74439346056	Würth Elektronik
LBL1	1	Thermal Transfer Printable Labels, 0.650" W x 0.200" H - 10,000 per roll	THT-14-423-10	Brady
R1	1	RES, 49.9 k, 1%, 0.1 W, 0603	RC0603FR-0749K9L	Yageo
R2	1	RES, 12k, 1%, 0.1 W, 0603	RC0603FR-0712KL	Yageo
R3	1	RES, 49.9, 1%, 0.1 W, 0603	RC0603FR-0749R9L	Yageo
R4	1	RES, 220 k, 0.1%, 0.063 W, 0603	CPF0603B220KE	TE Connectivity
R5	1	RES, 30.0 k, 1%, 0.1 W, AEC-Q200 Grade 0, 0603	ERJ-3EKF3002V	Panasonic
R8	1	RES, 100 k, 1%, 0.1 W, 0603	RC0603FR-07100KL	Yageo
R9	1	RES, 0, 5%, 0.1 W, 0603	RC0603JR-070RL	Yageo
SH-JP1, SH-JP2, SH-JP3	3	Shunt, 100mil, Gold plated, Black	SNT-100-BK-G	Samtec
TP1, TP3	2	Test Point, Multipurpose, Red, TH	5010	Keystone
TP2,TP4, TP9	3	Test Point, Multipurpose, Black, TH	5011	Keystone
TP5,TP6, TP7,TP8	4	Test Point, Multipurpose, Yellow, TH	5014	Keystone
U1	1	3.8V to 28V Input, 5A, 200kHz-2.2MHz, Low IQ Synchronous Buck Converter	TPS54538RQF	Texas Instruments
C10	0	CAP, CERM, 22µF, 35V, +/- 20%, X5R, 1206	C3216X5R1V226M160AC	TDK
C14,C19,C21	0	CAP, CERM, 1µF, 50V, +/- 10%, X7R, 0603	UMK107AB7105KA-T	Taiyo Yuden
C15,C16	0	CAP, CERM, 4.7µF, 50V, +/- 10%, X7R, AEC-Q200 Grade 1, 1206	CGA5L3X7R1H475K160AE	TDK
C17,C18	0	CAP, CERM, 2.2µF, 50V, +/- 10%, X7R, AEC-Q200 Grade 1, 0805	CGA4J3X7R1H225K125AE	TDK
C20	0	0603 50V 0.1 uF X7R ±10% Tolerance SMT Multilayer Ceramic Capacitor	GCM188R71H104KA57J	Murata
FB1	0	WE-CBA SMT EMI Suppression Ferrite Bead, size 1812, 70Ohm, 6A	782965700	Würth Elektronik
L2	0	1.2µH Shielded Molded Inductor 5.8A 18mOhm Max 2-SMD	744316220	Würth Electronics
R6, R7	0	RES, 0.51, 1%, 0.25 W, 0805	CRM0805-FX-R510ELF	Bourns

**Table 4-1. Bill of Materials (continued)**

Designator	Qty	Description	Part Number	Manufacturer <sup>(1)</sup>
R10	0	RES, 220 k, 1%, 0.1 W, 0603	RC0603FR-07220KL	Yageo

(1) Unless otherwise noted in the *Alternate Part Number* or *Alternate Manufacturer* columns, all parts can be substituted with equivalents.

## 5 Compliance Information

### 5.1 Compliance and Certifications

- [TPS54538EVM EU Declaration of Conformity \(DoC\) for Restricting the use of Hazardous Substances \(RoHS\)](#)

## 6 Additional Information

### 6.1 Trademarks

Eco-mode™, FCCM™, and PCM™ are trademarks of Texas Instruments. All trademarks are the property of their respective owners.

## 7 Related Documentation

For related documentation, see the following:

- Texas Instruments, [TPS54538 3.8V to 28V, 5A, 4A, 3A, Synchronous Buck Converters](#), data sheet



## STANDARD TERMS FOR EVALUATION MODULES

1. *Delivery:* TI delivers TI evaluation boards, kits, or modules, including any accompanying demonstration software, components, and/or documentation which may be provided together or separately (collectively, an "EVM" or "EVMs") to the User ("User") in accordance with the terms set forth herein. User's acceptance of the EVM is expressly subject to the following terms.
  - 1.1 EVMs are intended solely for product or software developers for use in a research and development setting to facilitate feasibility evaluation, experimentation, or scientific analysis of TI semiconductors products. EVMs have no direct function and are not finished products. EVMs shall not be directly or indirectly assembled as a part or subassembly in any finished product. For clarification, any software or software tools provided with the EVM ("Software") shall not be subject to the terms and conditions set forth herein but rather shall be subject to the applicable terms that accompany such Software
  - 1.2 EVMs are not intended for consumer or household use. EVMs may not be sold, sublicensed, leased, rented, loaned, assigned, or otherwise distributed for commercial purposes by Users, in whole or in part, or used in any finished product or production system.
2. *Limited Warranty and Related Remedies/Disclaimers:*
  - 2.1 These terms do not apply to Software. The warranty, if any, for Software is covered in the applicable Software License Agreement.
  - 2.2 TI warrants that the TI EVM will conform to TI's published specifications for ninety (90) days after the date TI delivers such EVM to User. Notwithstanding the foregoing, TI shall not be liable for a nonconforming EVM if (a) the nonconformity was caused by neglect, misuse or mistreatment by an entity other than TI, including improper installation or testing, or for any EVMs that have been altered or modified in any way by an entity other than TI, (b) the nonconformity resulted from User's design, specifications or instructions for such EVMs or improper system design, or (c) User has not paid on time. Testing and other quality control techniques are used to the extent TI deems necessary. TI does not test all parameters of each EVM. User's claims against TI under this Section 2 are void if User fails to notify TI of any apparent defects in the EVMs within ten (10) business days after delivery, or of any hidden defects with ten (10) business days after the defect has been detected.
  - 2.3 TI's sole liability shall be at its option to repair or replace EVMs that fail to conform to the warranty set forth above, or credit User's account for such EVM. TI's liability under this warranty shall be limited to EVMs that are returned during the warranty period to the address designated by TI and that are determined by TI not to conform to such warranty. If TI elects to repair or replace such EVM, TI shall have a reasonable time to repair such EVM or provide replacements. Repaired EVMs shall be warranted for the remainder of the original warranty period. Replaced EVMs shall be warranted for a new full ninety (90) day warranty period.

### **WARNING**

**Evaluation Kits are intended solely for use by technically qualified, professional electronics experts who are familiar with the dangers and application risks associated with handling electrical mechanical components, systems, and subsystems.**

**User shall operate the Evaluation Kit within TI's recommended guidelines and any applicable legal or environmental requirements as well as reasonable and customary safeguards. Failure to set up and/or operate the Evaluation Kit within TI's recommended guidelines may result in personal injury or death or property damage. Proper set up entails following TI's instructions for electrical ratings of interface circuits such as input, output and electrical loads.**

**NOTE:**

**EXPOSURE TO ELECTROSTATIC DISCHARGE (ESD) MAY CAUSE DEGRADATION OR FAILURE OF THE EVALUATION KIT; TI RECOMMENDS STORAGE OF THE EVALUATION KIT IN A PROTECTIVE ESD BAG.**

### 3 Regulatory Notices:

#### 3.1 United States

##### 3.1.1 Notice applicable to EVMs not FCC-Approved:

**FCC NOTICE:** This kit is designed to allow product developers to evaluate electronic components, circuitry, or software associated with the kit to determine whether to incorporate such items in a finished product and software developers to write software applications for use with the end product. This kit is not a finished product and when assembled may not be resold or otherwise marketed unless all required FCC equipment authorizations are first obtained. Operation is subject to the condition that this product not cause harmful interference to licensed radio stations and that this product accept harmful interference. Unless the assembled kit is designed to operate under part 15, part 18 or part 95 of this chapter, the operator of the kit must operate under the authority of an FCC license holder or must secure an experimental authorization under part 5 of this chapter.

##### 3.1.2 For EVMs annotated as FCC – FEDERAL COMMUNICATIONS COMMISSION Part 15 Compliant:

#### **CAUTION**

This device complies with part 15 of the FCC Rules. Operation is subject to the following two conditions: (1) This device may not cause harmful interference, and (2) this device must accept any interference received, including interference that may cause undesired operation.

Changes or modifications not expressly approved by the party responsible for compliance could void the user's authority to operate the equipment.

#### **FCC Interference Statement for Class A EVM devices**

*NOTE: This equipment has been tested and found to comply with the limits for a Class A digital device, pursuant to part 15 of the FCC Rules. These limits are designed to provide reasonable protection against harmful interference when the equipment is operated in a commercial environment. This equipment generates, uses, and can radiate radio frequency energy and, if not installed and used in accordance with the instruction manual, may cause harmful interference to radio communications. Operation of this equipment in a residential area is likely to cause harmful interference in which case the user will be required to correct the interference at his own expense.*

#### **FCC Interference Statement for Class B EVM devices**

*NOTE: This equipment has been tested and found to comply with the limits for a Class B digital device, pursuant to part 15 of the FCC Rules. These limits are designed to provide reasonable protection against harmful interference in a residential installation. This equipment generates, uses and can radiate radio frequency energy and, if not installed and used in accordance with the instructions, may cause harmful interference to radio communications. However, there is no guarantee that interference will not occur in a particular installation. If this equipment does cause harmful interference to radio or television reception, which can be determined by turning the equipment off and on, the user is encouraged to try to correct the interference by one or more of the following measures:*

- Reorient or relocate the receiving antenna.
- Increase the separation between the equipment and receiver.
- Connect the equipment into an outlet on a circuit different from that to which the receiver is connected.
- Consult the dealer or an experienced radio/TV technician for help.

#### 3.2 Canada

##### 3.2.1 For EVMs issued with an Industry Canada Certificate of Conformance to RSS-210 or RSS-247

#### **Concerning EVMs Including Radio Transmitters:**

This device complies with Industry Canada license-exempt RSSs. Operation is subject to the following two conditions:

(1) this device may not cause interference, and (2) this device must accept any interference, including interference that may cause undesired operation of the device.

#### **Concernant les EVMs avec appareils radio:**

Le présent appareil est conforme aux CNR d'Industrie Canada applicables aux appareils radio exempts de licence. L'exploitation est autorisée aux deux conditions suivantes: (1) l'appareil ne doit pas produire de brouillage, et (2) l'utilisateur de l'appareil doit accepter tout brouillage radioélectrique subi, même si le brouillage est susceptible d'en compromettre le fonctionnement.

#### **Concerning EVMs Including Detachable Antennas:**

Under Industry Canada regulations, this radio transmitter may only operate using an antenna of a type and maximum (or lesser) gain approved for the transmitter by Industry Canada. To reduce potential radio interference to other users, the antenna type and its gain should be so chosen that the equivalent isotropically radiated power (e.i.r.p.) is not more than that necessary for successful communication. This radio transmitter has been approved by Industry Canada to operate with the antenna types listed in the user guide with the maximum permissible gain and required antenna impedance for each antenna type indicated. Antenna types not included in this list, having a gain greater than the maximum gain indicated for that type, are strictly prohibited for use with this device.

### Concernant les EVMs avec antennes détachables

Conformément à la réglementation d'Industrie Canada, le présent émetteur radio peut fonctionner avec une antenne d'un type et d'un gain maximal (ou inférieur) approuvé pour l'émetteur par Industrie Canada. Dans le but de réduire les risques de brouillage radioélectrique à l'intention des autres utilisateurs, il faut choisir le type d'antenne et son gain de sorte que la puissance isotrope rayonnée équivalente (p.i.r.e.) ne dépasse pas l'intensité nécessaire à l'établissement d'une communication satisfaisante. Le présent émetteur radio a été approuvé par Industrie Canada pour fonctionner avec les types d'antenne énumérés dans le manuel d'usage et ayant un gain admissible maximal et l'impédance requise pour chaque type d'antenne. Les types d'antenne non inclus dans cette liste, ou dont le gain est supérieur au gain maximal indiqué, sont strictement interdits pour l'exploitation de l'émetteur.

#### 3.3 Japan

3.3.1 *Notice for EVMs delivered in Japan:* Please see [http://www.tij.co.jp/lstds/ti\\_ja/general/eStore/notice\\_01.page](http://www.tij.co.jp/lstds/ti_ja/general/eStore/notice_01.page) 日本国内に輸入される評価用キット、ボードについては、次のところをご覧ください。

<https://www.ti.com/ja-jp/legal/notice-for-evaluation-kits-delivered-in-japan.html>

3.3.2 *Notice for Users of EVMs Considered "Radio Frequency Products" in Japan:* EVMs entering Japan may not be certified by TI as conforming to Technical Regulations of Radio Law of Japan.

If User uses EVMs in Japan, not certified to Technical Regulations of Radio Law of Japan, User is required to follow the instructions set forth by Radio Law of Japan, which includes, but is not limited to, the instructions below with respect to EVMs (which for the avoidance of doubt are stated strictly for convenience and should be verified by User):

1. Use EVMs in a shielded room or any other test facility as defined in the notification #173 issued by Ministry of Internal Affairs and Communications on March 28, 2006, based on Sub-section 1.1 of Article 6 of the Ministry's Rule for Enforcement of Radio Law of Japan,
2. Use EVMs only after User obtains the license of Test Radio Station as provided in Radio Law of Japan with respect to EVMs, or
3. Use of EVMs only after User obtains the Technical Regulations Conformity Certification as provided in Radio Law of Japan with respect to EVMs. Also, do not transfer EVMs, unless User gives the same notice above to the transferee. Please note that if User does not follow the instructions above, User will be subject to penalties of Radio Law of Japan.

【無線電波を送信する製品の開発キットをお使いになる際の注意事項】 開発キットの中には技術基準適合証明を受けていないものがあります。技術適合証明を受けていないものご使用に際しては、電波法遵守のため、以下のいずれかの措置を取っていただく必要がありますのでご注意ください。

1. 電波法施行規則第6条第1項第1号に基づく平成18年3月28日総務省告示第173号で定められた電波暗室等の試験設備でご使用いただく。
2. 実験局の免許を取得後ご使用いただく。
3. 技術基準適合証明を取得後ご使用いただく。

なお、本製品は、上記の「ご使用にあたっての注意」を譲渡先、移転先に通知しない限り、譲渡、移転できないものとします。

上記を遵守頂けない場合は、電波法の罰則が適用される可能性があることをご留意ください。日本テキサス・イ

ンスツルメンツ株式会社

東京都新宿区西新宿 6 丁目 2 4 番 1 号

西新宿三井ビル

3.3.3 *Notice for EVMs for Power Line Communication:* Please see [http://www.tij.co.jp/lstds/ti\\_ja/general/eStore/notice\\_02.page](http://www.tij.co.jp/lstds/ti_ja/general/eStore/notice_02.page)

電力線搬送波通信についての開発キットをお使いになる際の注意事項については、次のところをご覧ください。 <https://www.ti.com/ja-jp/legal/notice-for-evaluation-kits-for-power-line-communication.html>

#### 3.4 European Union

3.4.1 *For EVMs subject to EU Directive 2014/30/EU (Electromagnetic Compatibility Directive):*

This is a class A product intended for use in environments other than domestic environments that are connected to a low-voltage power-supply network that supplies buildings used for domestic purposes. In a domestic environment this product may cause radio interference in which case the user may be required to take adequate measures.

- 
- 4 *EVM Use Restrictions and Warnings:*
    - 4.1 EVMS ARE NOT FOR USE IN FUNCTIONAL SAFETY AND/OR SAFETY CRITICAL EVALUATIONS, INCLUDING BUT NOT LIMITED TO EVALUATIONS OF LIFE SUPPORT APPLICATIONS.
    - 4.2 User must read and apply the user guide and other available documentation provided by TI regarding the EVM prior to handling or using the EVM, including without limitation any warning or restriction notices. The notices contain important safety information related to, for example, temperatures and voltages.
    - 4.3 *Safety-Related Warnings and Restrictions:*
      - 4.3.1 User shall operate the EVM within TI's recommended specifications and environmental considerations stated in the user guide, other available documentation provided by TI, and any other applicable requirements and employ reasonable and customary safeguards. Exceeding the specified performance ratings and specifications (including but not limited to input and output voltage, current, power, and environmental ranges) for the EVM may cause personal injury or death, or property damage. If there are questions concerning performance ratings and specifications, User should contact a TI field representative prior to connecting interface electronics including input power and intended loads. Any loads applied outside of the specified output range may also result in unintended and/or inaccurate operation and/or possible permanent damage to the EVM and/or interface electronics. Please consult the EVM user guide prior to connecting any load to the EVM output. If there is uncertainty as to the load specification, please contact a TI field representative. During normal operation, even with the inputs and outputs kept within the specified allowable ranges, some circuit components may have elevated case temperatures. These components include but are not limited to linear regulators, switching transistors, pass transistors, current sense resistors, and heat sinks, which can be identified using the information in the associated documentation. When working with the EVM, please be aware that the EVM may become very warm.
      - 4.3.2 EVMs are intended solely for use by technically qualified, professional electronics experts who are familiar with the dangers and application risks associated with handling electrical mechanical components, systems, and subsystems. User assumes all responsibility and liability for proper and safe handling and use of the EVM by User or its employees, affiliates, contractors or designees. User assumes all responsibility and liability to ensure that any interfaces (electronic and/or mechanical) between the EVM and any human body are designed with suitable isolation and means to safely limit accessible leakage currents to minimize the risk of electrical shock hazard. User assumes all responsibility and liability for any improper or unsafe handling or use of the EVM by User or its employees, affiliates, contractors or designees.
    - 4.4 User assumes all responsibility and liability to determine whether the EVM is subject to any applicable international, federal, state, or local laws and regulations related to User's handling and use of the EVM and, if applicable, User assumes all responsibility and liability for compliance in all respects with such laws and regulations. User assumes all responsibility and liability for proper disposal and recycling of the EVM consistent with all applicable international, federal, state, and local requirements.
  5. *Accuracy of Information:* To the extent TI provides information on the availability and function of EVMs, TI attempts to be as accurate as possible. However, TI does not warrant the accuracy of EVM descriptions, EVM availability or other information on its websites as accurate, complete, reliable, current, or error-free.
  6. *Disclaimers:*
    - 6.1 EXCEPT AS SET FORTH ABOVE, EVMS AND ANY MATERIALS PROVIDED WITH THE EVM (INCLUDING, BUT NOT LIMITED TO, REFERENCE DESIGNS AND THE DESIGN OF THE EVM ITSELF) ARE PROVIDED "AS IS" AND "WITH ALL FAULTS." TI DISCLAIMS ALL OTHER WARRANTIES, EXPRESS OR IMPLIED, REGARDING SUCH ITEMS, INCLUDING BUT NOT LIMITED TO ANY EPIDEMIC FAILURE WARRANTY OR IMPLIED WARRANTIES OF MERCHANTABILITY OR FITNESS FOR A PARTICULAR PURPOSE OR NON-INFRINGEMENT OF ANY THIRD PARTY PATENTS, COPYRIGHTS, TRADE SECRETS OR OTHER INTELLECTUAL PROPERTY RIGHTS.
    - 6.2 EXCEPT FOR THE LIMITED RIGHT TO USE THE EVM SET FORTH HEREIN, NOTHING IN THESE TERMS SHALL BE CONSTRUED AS GRANTING OR CONFERRING ANY RIGHTS BY LICENSE, PATENT, OR ANY OTHER INDUSTRIAL OR INTELLECTUAL PROPERTY RIGHT OF TI, ITS SUPPLIERS/LICENSORS OR ANY OTHER THIRD PARTY, TO USE THE EVM IN ANY FINISHED END-USER OR READY-TO-USE FINAL PRODUCT, OR FOR ANY INVENTION, DISCOVERY OR IMPROVEMENT, REGARDLESS OF WHEN MADE, CONCEIVED OR ACQUIRED.
  7. *USER'S INDEMNITY OBLIGATIONS AND REPRESENTATIONS.* USER WILL DEFEND, INDEMNIFY AND HOLD TI, ITS LICENSORS AND THEIR REPRESENTATIVES HARMLESS FROM AND AGAINST ANY AND ALL CLAIMS, DAMAGES, LOSSES, EXPENSES, COSTS AND LIABILITIES (COLLECTIVELY, "CLAIMS") ARISING OUT OF OR IN CONNECTION WITH ANY HANDLING OR USE OF THE EVM THAT IS NOT IN ACCORDANCE WITH THESE TERMS. THIS OBLIGATION SHALL APPLY WHETHER CLAIMS ARISE UNDER STATUTE, REGULATION, OR THE LAW OF TORT, CONTRACT OR ANY OTHER LEGAL THEORY, AND EVEN IF THE EVM FAILS TO PERFORM AS DESCRIBED OR EXPECTED.
-

8. *Limitations on Damages and Liability:*

8.1 *General Limitations.* IN NO EVENT SHALL TI BE LIABLE FOR ANY SPECIAL, COLLATERAL, INDIRECT, PUNITIVE, INCIDENTAL, CONSEQUENTIAL, OR EXEMPLARY DAMAGES IN CONNECTION WITH OR ARISING OUT OF THESE TERMS OR THE USE OF THE EVMS , REGARDLESS OF WHETHER TI HAS BEEN ADVISED OF THE POSSIBILITY OF SUCH DAMAGES. EXCLUDED DAMAGES INCLUDE, BUT ARE NOT LIMITED TO, COST OF REMOVAL OR REINSTALLATION, ANCILLARY COSTS TO THE PROCUREMENT OF SUBSTITUTE GOODS OR SERVICES, RETESTING, OUTSIDE COMPUTER TIME, LABOR COSTS, LOSS OF GOODWILL, LOSS OF PROFITS, LOSS OF SAVINGS, LOSS OF USE, LOSS OF DATA, OR BUSINESS INTERRUPTION. NO CLAIM, SUIT OR ACTION SHALL BE BROUGHT AGAINST TI MORE THAN TWELVE (12) MONTHS AFTER THE EVENT THAT GAVE RISE TO THE CAUSE OF ACTION HAS OCCURRED.

8.2 *Specific Limitations.* IN NO EVENT SHALL TI'S AGGREGATE LIABILITY FROM ANY USE OF AN EVM PROVIDED HEREUNDER, INCLUDING FROM ANY WARRANTY, INDEMNITY OR OTHER OBLIGATION ARISING OUT OF OR IN CONNECTION WITH THESE TERMS, , EXCEED THE TOTAL AMOUNT PAID TO TI BY USER FOR THE PARTICULAR EVM(S) AT ISSUE DURING THE PRIOR TWELVE (12) MONTHS WITH RESPECT TO WHICH LOSSES OR DAMAGES ARE CLAIMED. THE EXISTENCE OF MORE THAN ONE CLAIM SHALL NOT ENLARGE OR EXTEND THIS LIMIT.

9. *Return Policy.* Except as otherwise provided, TI does not offer any refunds, returns, or exchanges. Furthermore, no return of EVM(s) will be accepted if the package has been opened and no return of the EVM(s) will be accepted if they are damaged or otherwise not in a resalable condition. If User feels it has been incorrectly charged for the EVM(s) it ordered or that delivery violates the applicable order, User should contact TI. All refunds will be made in full within thirty (30) working days from the return of the components(s), excluding any postage or packaging costs.

10. *Governing Law:* These terms and conditions shall be governed by and interpreted in accordance with the laws of the State of Texas, without reference to conflict-of-laws principles. User agrees that non-exclusive jurisdiction for any dispute arising out of or relating to these terms and conditions lies within courts located in the State of Texas and consents to venue in Dallas County, Texas. Notwithstanding the foregoing, any judgment may be enforced in any United States or foreign court, and TI may seek injunctive relief in any United States or foreign court.

Mailing Address: Texas Instruments, Post Office Box 655303, Dallas, Texas 75265  
Copyright © 2023, Texas Instruments Incorporated

## IMPORTANT NOTICE AND DISCLAIMER

TI PROVIDES TECHNICAL AND RELIABILITY DATA (INCLUDING DATA SHEETS), DESIGN RESOURCES (INCLUDING REFERENCE DESIGNS), APPLICATION OR OTHER DESIGN ADVICE, WEB TOOLS, SAFETY INFORMATION, AND OTHER RESOURCES "AS IS" AND WITH ALL FAULTS, AND DISCLAIMS ALL WARRANTIES, EXPRESS AND IMPLIED, INCLUDING WITHOUT LIMITATION ANY IMPLIED WARRANTIES OF MERCHANTABILITY, FITNESS FOR A PARTICULAR PURPOSE OR NON-INFRINGEMENT OF THIRD PARTY INTELLECTUAL PROPERTY RIGHTS.

These resources are intended for skilled developers designing with TI products. You are solely responsible for (1) selecting the appropriate TI products for your application, (2) designing, validating and testing your application, and (3) ensuring your application meets applicable standards, and any other safety, security, regulatory or other requirements.

These resources are subject to change without notice. TI grants you permission to use these resources only for development of an application that uses the TI products described in the resource. Other reproduction and display of these resources is prohibited. No license is granted to any other TI intellectual property right or to any third party intellectual property right. TI disclaims responsibility for, and you will fully indemnify TI and its representatives against, any claims, damages, costs, losses, and liabilities arising out of your use of these resources.

TI's products are provided subject to [TI's Terms of Sale](#) or other applicable terms available either on [ti.com](https://www.ti.com) or provided in conjunction with such TI products. TI's provision of these resources does not expand or otherwise alter TI's applicable warranties or warranty disclaimers for TI products.

TI objects to and rejects any additional or different terms you may have proposed.

Mailing Address: Texas Instruments, Post Office Box 655303, Dallas, Texas 75265  
Copyright © 2024, Texas Instruments Incorporated