

Detection of RS-485 signal loss

By Kevin Gingerich (Email: k-gingerich@ti.com)

High-Performance Linear/Interface

Introduction

Fault isolation and safety shutdown protocols are critical in many industrial, telecommunication, automotive, and data processing systems. While built-in test routines may provide fault isolation when the system is offline, real-time fault detection requires continuous monitoring of signals. These systems often use RS-485 to share data between sensors, actuators, single-board computers, or communication processors.

RS-485 signals are differential, using two signal wires to transmit data, and detection of valid signal levels requires a differential window comparator. Designing this circuit function is complicated by the wide common-mode range of RS-485 signals and, in many cases, the availability of only positive supply rails.

This article shows how a differential window comparator can be constructed with the passive-failsafe feature* of two SN65HVD3088E RS-485 transceivers and an AND

*See Reference 1 for more on this feature.

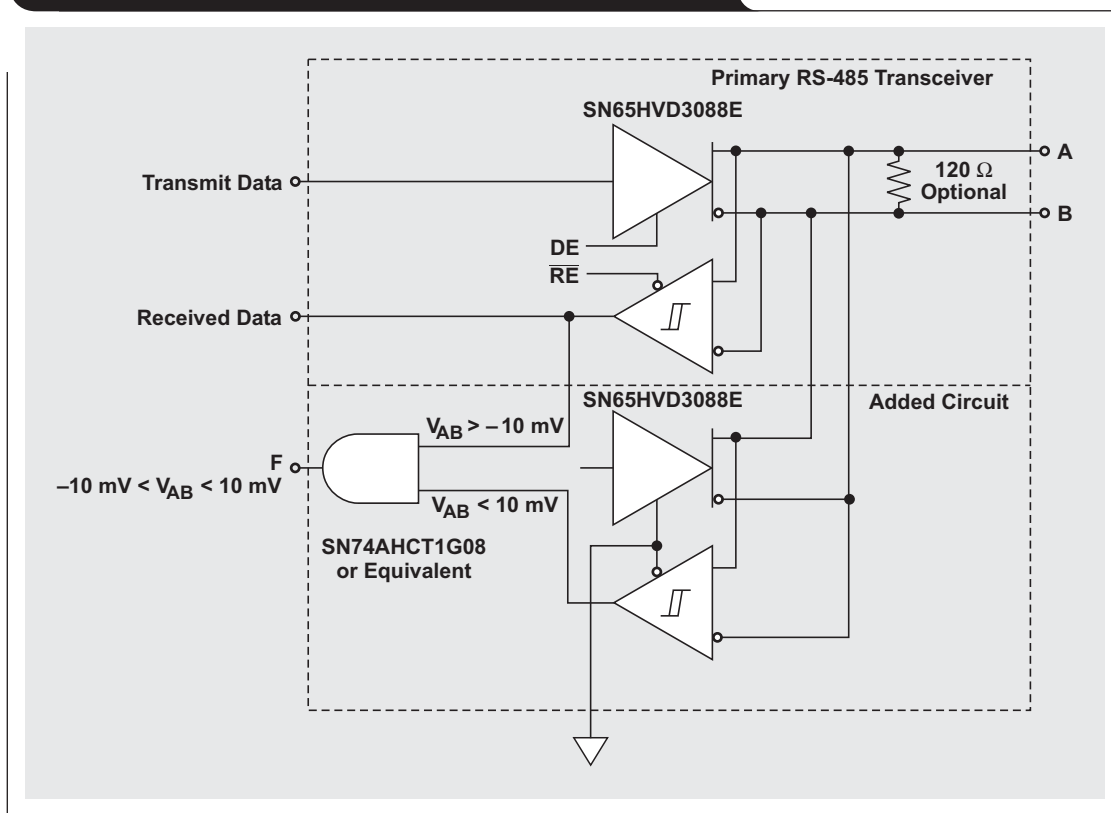
gate. It also provides theory of operation, the basic circuit schematic, test results, and other design considerations.

Theory of operation

The differential input threshold is the voltage between the non-inverting and inverting RS-485 signals above which the bus state is high and below which the bus state is low. The differential input voltage threshold of standard receivers is between -200 mV and 200 mV . The differential input voltage threshold of the SN65HVD3088E is between -200 mV and -10 mV . This gives a known (high-level) receiver output state with zero volts (no input signal) and is called *passive failsafe*. It does not distinguish between a valid high input and no signal.

A single SN65HVD3088E can determine if the differential input voltage is less than -200 mV or above -10 mV . Reversing the input polarity of a second SN65HVD3088E can determine if the differential input voltage is below 10 mV or above 200 mV and is the basis for constructing the differential window comparator shown in Figure 1.

Figure 1. RS-485 transceiver with loss-of-signal indicator



The upper-receiver output in Figure 1 is true (high) if the differential input voltage, V_{AB} , is greater than -10 mV. Since the inputs of the lower receiver are reversed, the output is true (high) if $-V_{AB} > -10$ mV or, dividing both sides of the inequality by negative one, $V_{AB} < 10$ mV. If both receiver outputs are true, then the differential bus voltage is between -10 mV and 10 mV and is not a valid input. This fault is indicated by the AND gate F output using inputs of the two receiver outputs.

Test results

Figures 2 and 3 show the F and V_{AB} low-to-no and high-to-no signal transitions and the desired fault indication.

Figure 2. Loss of valid low-level signal

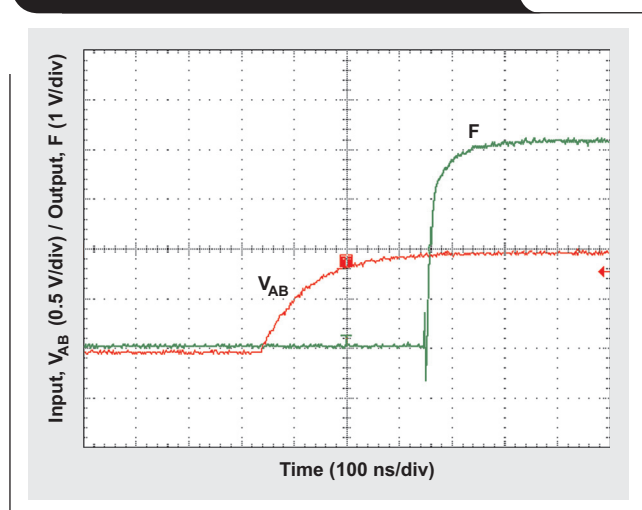
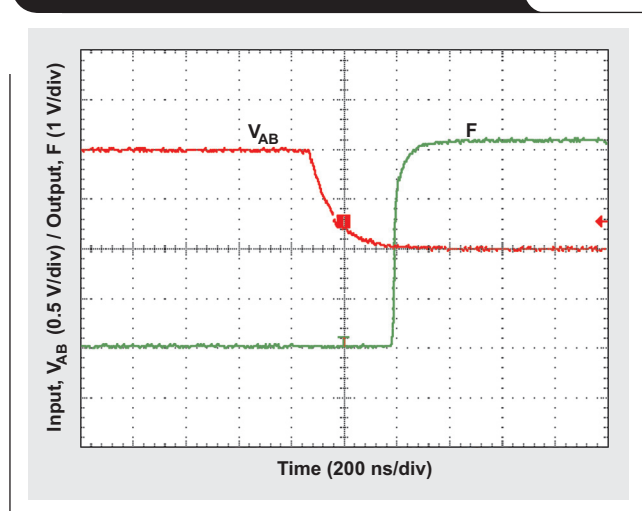


Figure 3. Loss of valid high-level signal



Other design considerations

While this example circuit uses the SN65HVD3088E, any RS-485 receiver with the passive failsafe feature may be used (Texas Instruments offers over thirty such products). A similar approach may be applied to unidirectional (simplex) connections. The parallel connection of the two transceivers will halve the unit loading and double the stray capacitance presented to the bus. This may limit the number and spacing of devices on a bus segment (see References 2 and 3).

If the system timing budget allows, filtering of F may prevent false fault indications from differential noise or from very slowly changing input signals. Filtering may be done by adding gating or by choosing a very slow AND gate.

Conclusion

A differential window comparator can be constructed by adding a passive-failsafe RS-485 receiver and one AND gate to another passive-failsafe receiver. The circuit then provides a loss-of-signal indication from an RS-485 data bus. This fault flag may then be used for system fault isolation or safety shutdown protocols.

References

For more information related to this article, you can download an Acrobat Reader file at www-s.ti.com/sc/techlit/litnumber and replace "litnumber" with the **TI Lit. #** for the materials listed below.

Document Title	TI Lit. #
1. Kevin Gingerich, "Failsafe in RS-485 data buses," <i>Analog Applications Journal</i> (3Q 2004)	slyt080
2. Kevin Gingerich, "The RS-485 unit load and maximum number of bus connections," <i>Analog Applications Journal</i> (1Q 2004)	slyt086
3. Kevin Gingerich, "Device spacing on RS-485 buses," <i>Analog Applications Journal</i> (2Q 2006)	slyt241

Related Web sites

interface.ti.com
www.ti.com/sc/device/SN65HVD3088E
www.ti.com/sc/device/SN74AHCT1G08

IMPORTANT NOTICE

Texas Instruments Incorporated and its subsidiaries (TI) reserve the right to make corrections, modifications, enhancements, improvements, and other changes to its products and services at any time and to discontinue any product or service without notice. Customers should obtain the latest relevant information before placing orders and should verify that such information is current and complete. All products are sold subject to TI's terms and conditions of sale supplied at the time of order acknowledgment.

TI warrants performance of its hardware products to the specifications applicable at the time of sale in accordance with TI's standard warranty. Testing and other quality control techniques are used to the extent TI deems necessary to support this warranty. Except where mandated by government requirements, testing of all parameters of each product is not necessarily performed.

TI assumes no liability for applications assistance or customer product design. Customers are responsible for their products and applications using TI components. To minimize the risks associated with customer products and applications, customers should provide adequate design and operating safeguards.

TI does not warrant or represent that any license, either express or implied, is granted under any TI patent right, copyright, mask work right, or other TI intellectual property right relating to any combination, machine, or process in which TI products or services are used. Information published by TI regarding third-party products or services does not constitute a license from TI to use such products or services or a warranty or endorsement thereof. Use of such information may require a license from a third party under the patents or other intellectual property of the third party, or a license from TI under the patents or other intellectual property of TI.

Reproduction of information in TI data books or data sheets is permissible only if reproduction is without alteration and is accompanied by all associated warranties, conditions, limitations, and notices. Reproduction of this information with alteration is an unfair and deceptive business practice. TI is not responsible or liable for such altered documentation.

Resale of TI products or services with statements different from or beyond the parameters stated by TI for that product or service voids all express and any implied warranties for the associated TI product or service and is an unfair and deceptive business practice. TI is not responsible or liable for any such statements.

Following are URLs where you can obtain information on other Texas Instruments products and application solutions:

Products

Amplifiers	amplifier.ti.com
Data Converters	dataconverter.ti.com
DSP	dsp.ti.com
Interface	interface.ti.com
Logic	logic.ti.com
Power Management	power.ti.com
Microcontrollers	microcontroller.ti.com

Applications

Audio	www.ti.com/audio
Automotive	www.ti.com/automotive
Broadband	www.ti.com/broadband
Digital control	www.ti.com/digitalcontrol
Military	www.ti.com/military
Optical Networking	www.ti.com/opticalnetwork
Security	www.ti.com/security
Telephony	www.ti.com/telephony
Video & Imaging	www.ti.com/video
Wireless	www.ti.com/wireless

TI Worldwide Technical Support

Internet

TI Semiconductor Product Information Center Home Page
support.ti.com

TI Semiconductor KnowledgeBase Home Page
support.ti.com/sc/knowledgebase

Product Information Centers

Americas

Phone	+1(972) 644-5580	Fax	+1(972) 927-6377
Internet/Email	support.ti.com/sc/pic/americas.htm		

Europe, Middle East, and Africa

Phone			
Belgium (English)	+32 (0) 27 45 54 32	Netherlands (English)	+31 (0) 546 87 95 45
Finland (English)	+358 (0) 9 25173948	Russia	+7 (4) 95 98 10 701
France	+33 (0) 1 30 70 11 64	Spain	+34 902 35 40 28
Germany	+49 (0) 8161 80 33 11	Sweden (English)	+46 (0) 8587 555 22
Israel (English)	180 949 0107	United Kingdom	+44 (0) 1604 66 33 99
Italy	800 79 11 37		
Fax	+(49) (0) 8161 80 2045		
Internet	support.ti.com/sc/pic/euro.htm		

Japan

Fax			
International	+81-3-3344-5317	Domestic	0120-81-0036
Internet/Email			
International	support.ti.com/sc/pic/japan.htm		
Domestic	www.tij.co.jp/pic		

Asia

Phone			
International	+886-2-23786800		
Domestic	Toll-Free Number		
Australia	1-800-999-084	Malaysia	1-800-80-3973
China	800-820-8682	New Zealand	0800-446-934
Hong Kong	800-96-5941	Philippines	1-800-765-7404
India	+91-80-41381665 (Toll)	Singapore	800-886-1028
Indonesia	001-803-8861-1006	Taiwan	0800-006800
Korea	080-551-2804	Thailand	001-800-886-0010
Fax	+886-2-2378-6808	Email	tiasia@ti.com
Internet	support.ti.com/sc/pic/asia.htm		
			ti-china@ti.com

C062706

Safe Harbor Statement: This publication may contain forward-looking statements that involve a number of risks and uncertainties. These "forward-looking statements" are intended to qualify for the safe harbor from liability established by the Private Securities Litigation Reform Act of 1995. These forward-looking statements generally can be identified by phrases such as "TI or its management believes," "expects," "anticipates," "foresees," "forecasts," "estimates" or other words or phrases of similar import. Similarly, such statements herein that describe the company's products, business strategy, outlook, objectives, plans, intentions or goals also are forward-looking statements. All such forward-looking statements are subject to certain risks and uncertainties that could cause actual results to differ materially from those in forward-looking statements. Please refer to TI's most recent Form 10-K for more information on the risks and uncertainties that could materially affect future results of operations. We disclaim any intention or obligation to update any forward-looking statements as a result of developments occurring after the date of this publication.

Trademarks: All trademarks are the property of their respective owners.

Mailing Address: Texas Instruments
Post Office Box 655303
Dallas, Texas 75265

© 2006 Texas Instruments Incorporated