

EVM User's Guide: LMK6EVM, LMK6C, LMK6D, LMK6H, LMK6P

LMK6x Evaluation Module

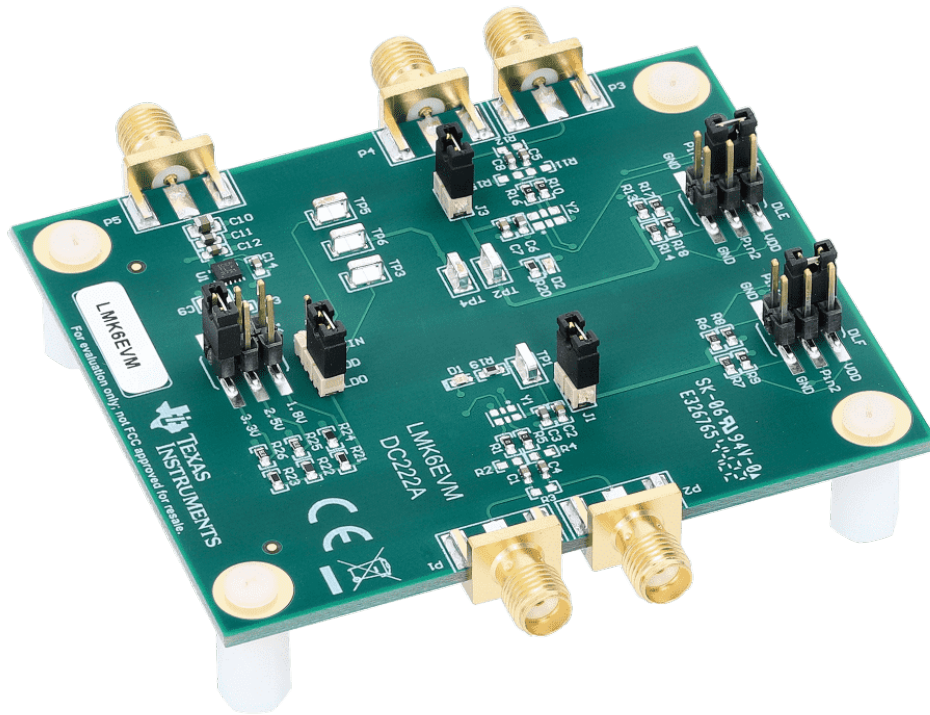


Description

The LMK6x evaluation module (EVM) is a platform for evaluating the performance of the LMK6x family of high-performance bulk acoustic wave (BAW) oscillators. BAW is a microresonator technology that enables the integration of high-precision and ultra-low jitter clocks directly into packages that contain other circuits.

Features

- Fixed-frequency oscillator using TI's BAW technology
- Supports standard 3.2-mm-by-2.5-mm and 2.5-mm-by-2-mm, 4-pin or 6-pin package oscillators
- Low output jitter
- Supply voltage options of 1.8V and 2.5V to 3.3V



1 Evaluation Module Overview

1.1 Introduction

The LMK6EVM provides a complete evaluation platform to evaluate the clock performance and flexibility of the Texas Instruments LMK6x Ultra-Low Jitter BAW Oscillator family. This EVM can be used as a flexible clock source for compliance testing, performance evaluation, and initial system prototyping. The onboard edge-launch SMA ports provide access to the configurable clock output of the LMK6x, which allows the device to interface with test equipment and reference boards using commercially available coaxial cables, adapters, or baluns (not included).

The LMK6x is a lower-power clock oscillator using TI's BAW technology. The LMK6x is available in two package sizes, DLE (3.2mm × 2.5mm) and DLF (2.5mm × 2.0mm), and four different output formats: LVCMOS, LVPECL, LVDS, and HCSL. Both footprints are included on the EVM with independent termination networks. The termination scheme can be modified by the user for the desired output format.

Note

The LMK6EVM is not populated with an LMK6x device by default. The user can choose the desired oscillator variant for evaluation. Contact TI to pre-order specific LMK6x device variants at ti_osc_customer_requirement@list.ti.com.

1.2 Evaluation Module Contents

The box contains:

- One LMK6EVM board (DCC222A)

1.3 Evaluation Setup Requirement

The evaluation requires the following hardware:

- A DC power supply
- An oscilloscope
- A signal analyzer (optional)
- A LMK6x device

2 Hardware

2.1 Additional Images

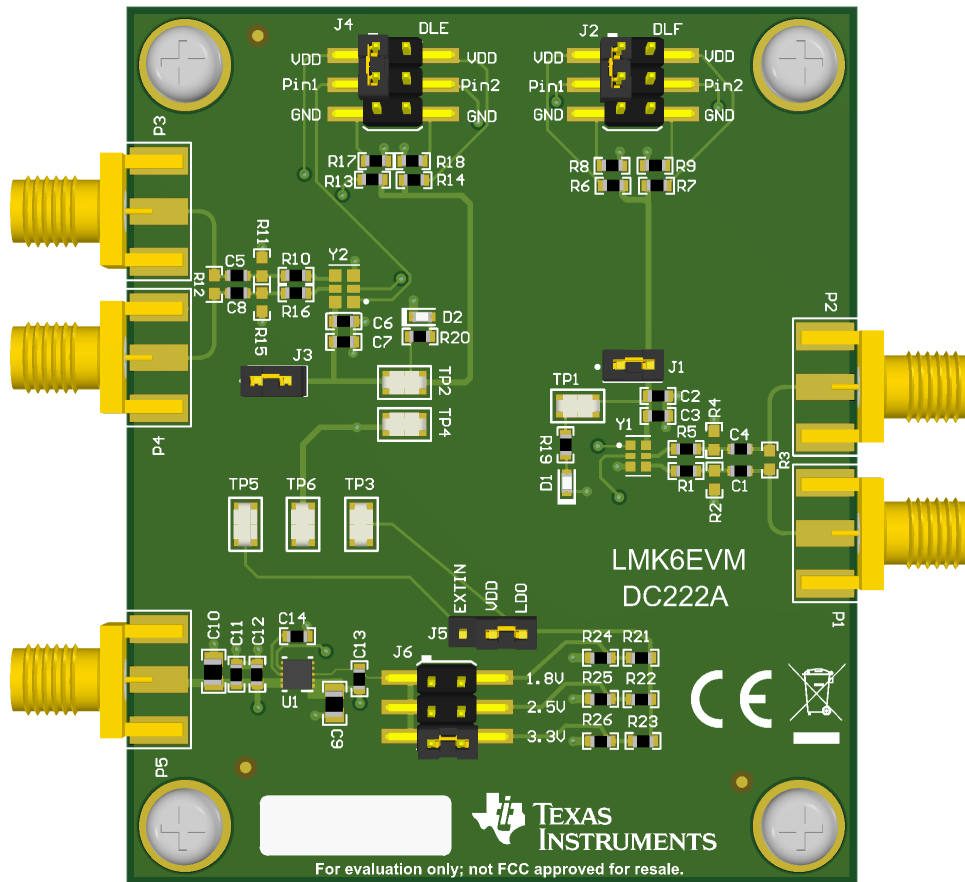


Figure 2-1. LMK6EVM Evaluation Board

2.2 Setup

2.2.1 Connection Diagram

Figure 2-2 shows the LMK6EVM (DCC222A) connection diagram. To test LMK6xDLF variants (DLF 2.5mm × 2.0mm package), the device must be soldered on Y1, and P1 and P2 can be connected to an oscilloscope or phase noise analyzer to evaluate the device output. Similarly for LMK6xDLE variants (DLE 3.2mm × 2.5mm package), the device must be soldered on Y2, and P3 and P4 used accordingly to measure the output. Note that for LMK6C variants with an LVCMOS output format, only the positive clock output connection is used. The 4-pin LMK6C variants can share the same footprint as the 6-pin LMK6D/P/H variants. The corner pins are shared, but the middle pins are left unused for the LMK6C devices.

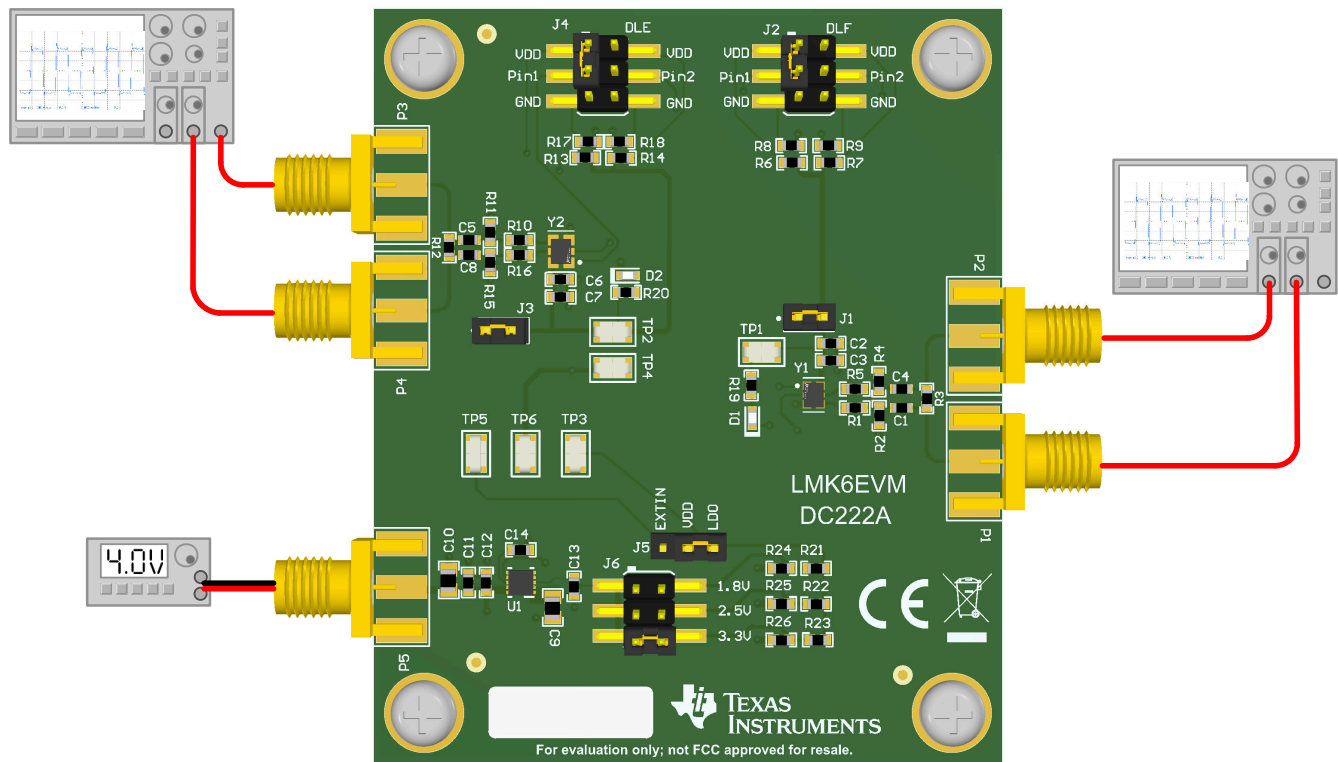


Figure 2-2. Connection Diagram

2.2.2 Power Supply

Apply 4V to the VDDin SMA connector (P5). The onboard voltage regulator provides 1.8V, 2.5V, or 3.3V to the LMK6X devices based on the jumper selection on J6.

2.2.3 Clock Output

To test the clock output of Y1, connect P1 (+) and P2 (–) SMA connectors to an oscilloscope or phase noise analyzer. To test the clock output of Y2, use P3 (–) and P4 (+). The output frequency, amplitude, and common-mode voltage depends on the LMK6x variant that is attached to the board, as well as the termination scheme.

2.2.4 EVM Strap Options

2.2.4.1 J1 Header

Put the short across J1 to provide the supply voltage to Y1.

2.2.4.2 J2 Header

J2 is used to pull pin 1 and pin 2 of Y1 to VDD/GND to select the output enable (OE) pin of the LMK6x device. LMK6PA/LMK6DA/LMK6HA variants use pin 1 for OE, and LMK6PB/ LMK6DB/LMK6HB variants use pin 2. All 4-pin LMK6C variants use pin 1 for OE.

2.2.4.3 J3 Header

Put the short across J3 to provide the supply voltage to Y2.

2.2.4.4 J4 Header

J4 is used to pull pin 1 and pin 2 of Y2 to VDD/Gnd to select the output enable (OE) pin of the LMK6x device. The LMK6PA/LMK6DA/LMK6HA variants use pin 1 for OE, and the LMK6PB/ LMK6DB/LMK6HB variants use pin 2. All 4-pin LMK6C variants use pin 1 for OE.

2.2.4.5 J5 Header

To use the onboard voltage regulator for the LMK6x device, put the short across pin 1 and pin 2 of the J5 header. Otherwise, put the short across pin 2 and pin 3 of the J5 header to use the external power supply directly.

2.2.4.6 J6 Header

J6 is used to select the output voltage of the onboard voltage regulator.

2.2.5 Configuring the Clock Output Termination

The LMK6EVM comes pre-populated with an AC-coupled LVCMOS termination. The termination can be modified by the user to support LVPECL, LVDS, and HCSL output formats according to the component values in the table below.

Table 2-1. Output Termination Schemes for Y1

OUTPUT FORMAT	COUPLING	COMPONENT	VALUE
LVPECL	AC	R1, R5	0Ω
		R2, R4	150Ω
		C1, C4	0.01 μF
		R3	DNP
	DC ⁽¹⁾	R1, R5, C1, C4	0Ω
		R2, R3, R4	DNP
LVDS ⁽²⁾	AC	R1, R5	0Ω
		R3	100Ω
		C1, C4	0.01 μF
		R2, R4	DNP
	DC	R1, R5, C1, C4	0Ω
		R3	100Ω
HCSL	AC	R1, R5	0Ω
		R2, R4	50Ω
		C1, C4	0.01 μF
		R3	DNP
	DC	R1, R5, C1, C4	0Ω
		R2, R4	50Ω
		R3	DNP

(1) 50Ω to Vcc – 2V termination is required on the receiver.

(2) 100Ω differential termination (R3) is provided on the LMK6EVM. Removing the differential termination on the EVM is possible if the differential termination is available on the receiver.

Table 2-2. Output Termination Schemes for Y2

OUTPUT FORMAT	COUPLING	COMPONENT	VALUE
LVPECL	AC	R10, R16	0Ω
		R11, R15	150Ω
		C5, C8	0.01 μF
		R12	DNP
	DC ⁽¹⁾	R10, R16, C5, C8	0Ω
		R11, R12, R15	DNP
LVDS ⁽²⁾	AC	R10, R16	0Ω
		R12	100Ω
		C5, C8	0.01 μF
		R11, R15	DNP
	DC	R10, R16, C5, C8	0Ω
		R12	100Ω
HCSL	AC	R10, R16	0Ω
		R11, R15	50Ω
		C5, C10	0.01 μF
		R12	DNP
	DC	R10, R16, C5, C8	0Ω
		R11, R15	50Ω
		R12	DNP

(1) 50Ω to V_{cc} - 2V termination is required on the receiver.

(2) 100Ω differential termination (R3) is provided on the LMK6EVM. Removing the differential termination on the EVM is possible if the differential termination is available on the receiver.

3 Implementation Results

3.1 Typical Measurement

3.1.1 Phase Noise

Figure 3-1 shows the typical phase noise for the LMK6EVM populated with the 156.25MHz variant of the LMK6H/LMK6P.

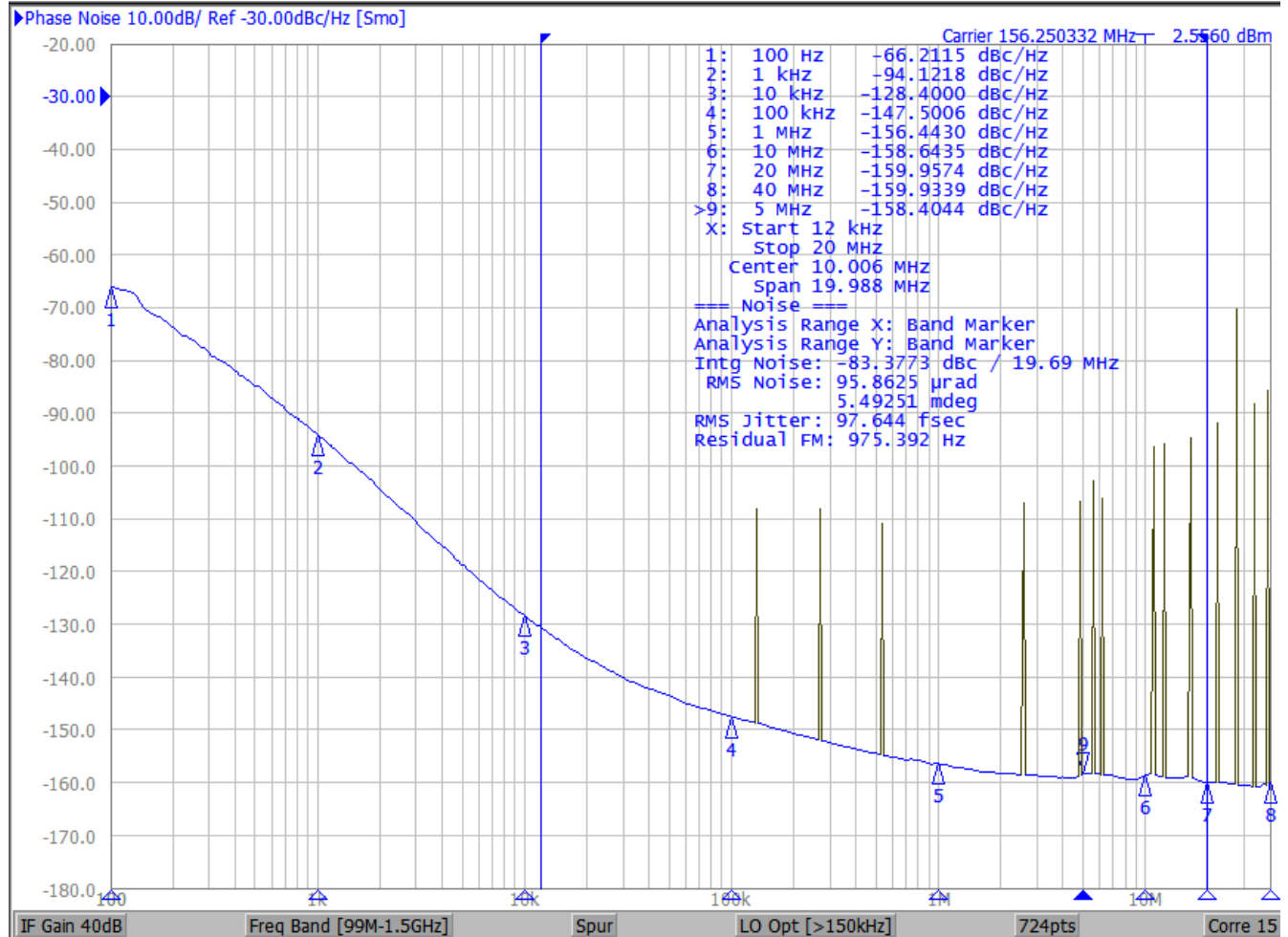


Figure 3-1. LMK6EVM Phase Noise

4 Hardware Design Files

4.1 Schematic

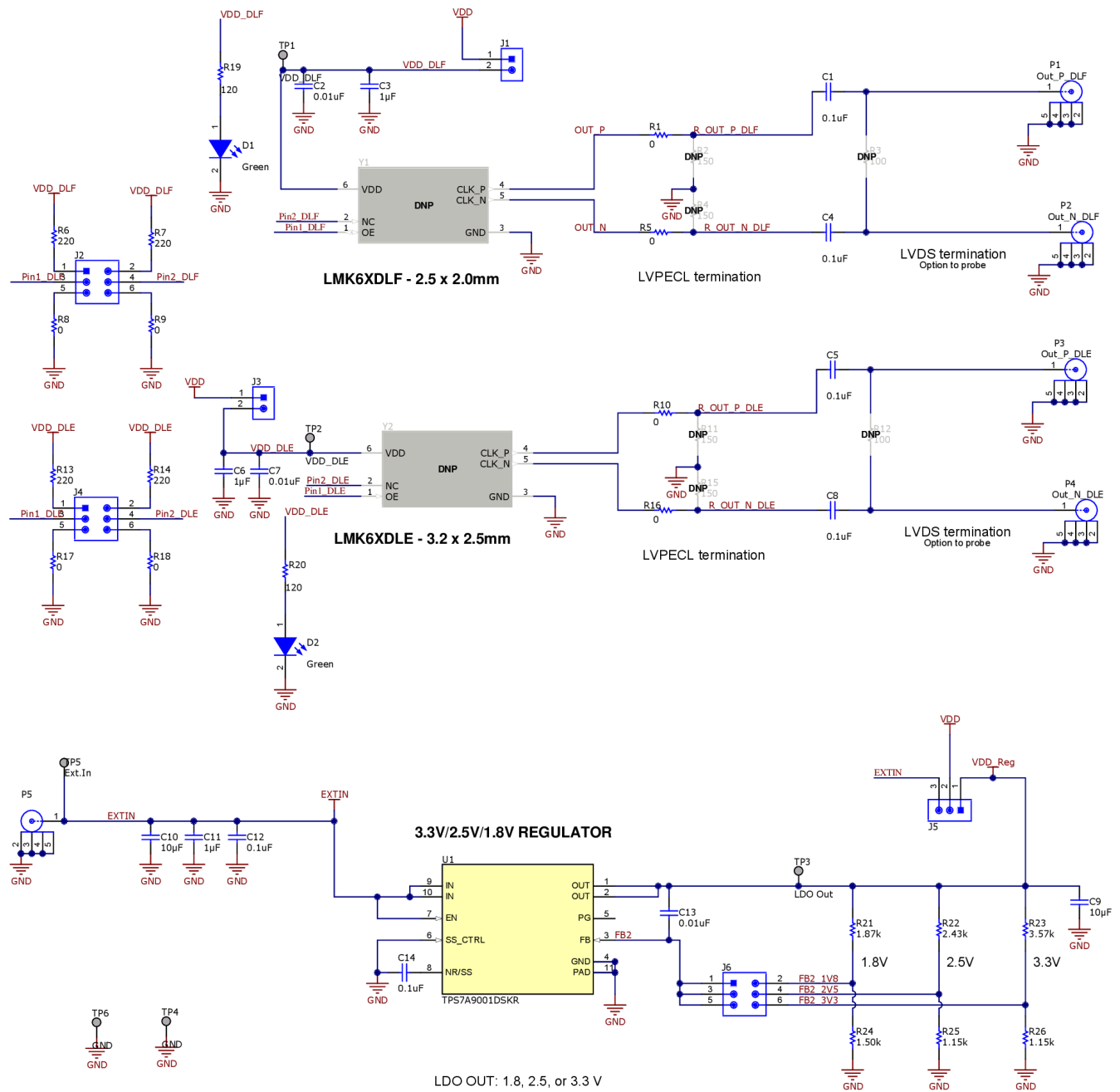


Figure 4-1. Schematic

4.2 PCB Layout and Layer Stack-Up

4.2.1 PCB Layer Stack-Up

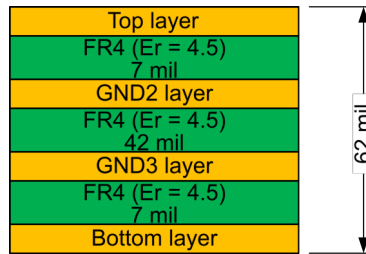


Figure 4-2. PCB Layer Stack-Up

4.2.2 PCB Layout

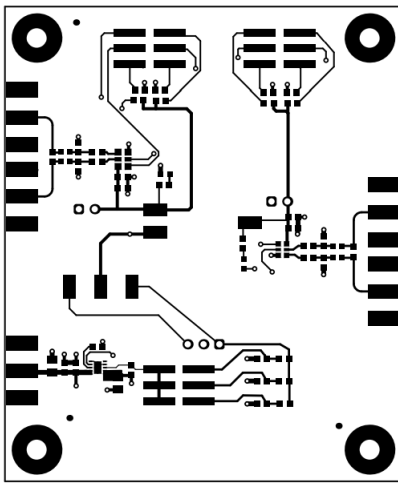


Figure 4-3. Top Layer

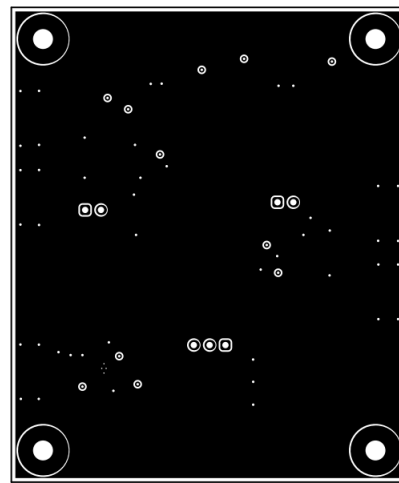


Figure 4-4. GND Layer

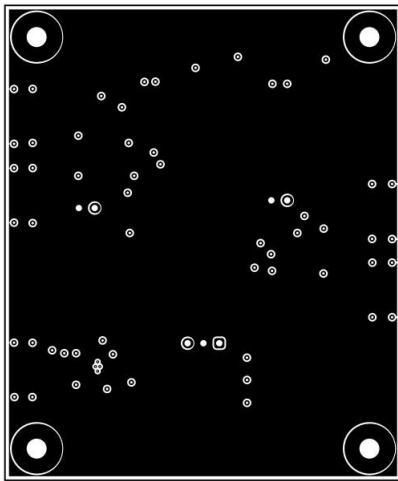


Figure 4-5. GND Layer

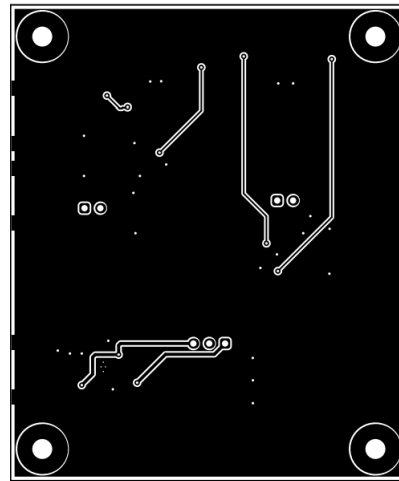


Figure 4-6. Bottom Layer

4.3 Bill of Materials

Table 4-1. Bill of Materials

Designator	Quantity	Description	Manufacturer	Part Number
C1, C4, C8, C12, C14	5	CAP, CERM, 0.1uF, 16V, +/- 5%, X7R, 0603	Kemet	C0603C104J4RACTU
C2, C7	2	CAP, CERM, 0.01uF, 100V, +/- 5%, X7R, 0603	AVX	06031C103JAT2A
C3, C6, C11	3	CAP, CERM, 1μF, 16V, +/- 10%, X7R, AEC-Q200 Grade 1, 0603	TDK	CGA3E1X7R1C105K080AC
C9, C10	2	CAP, CERM, 10uF, 16V, +/- 20%, X7R, 0805	Taiyo Yuden	EMK212BB7106MG-T
C13	1	CAP, CERM, 0.01uF, 50V, +/- 5%, X7R, 0603	Kemet	C0603C103J5RACTU
D1, D2	2	LED, Green, SMD	Lite-On	LTST-C190GKT
H1, H2, H3, H4	4	Machine Screw, Round, #4-40 x 1/4, Nylon, Philips panhead	B&F Fastener Supply	NY PMS 440 0025 PH
H5, H6, H7, H8	4	Standoff, Hex, 0.5"L #4-40 Nylon	Keystone	1902C
J1, J3	2	Header, 100mil, 2x1, Gold, TH	Samtec	TSW-102-07-G-S
J2, J4, J6	3	Header, 2.54mm, 3x2, Gold, Black, SMT	Sullins Connector Solutions	GBC03DABN-M30
J5	1	Header, 100mil, 3x1, Gold, TH	Samtec	TSW-103-07-G-S
LBL1	1	Thermal Transfer Printable Labels, 0.650" W x 0.200" H - 10,000 per roll	Brady	THT-14-423-10
P1, P2, P3, P4, P5	5	Connector, End launch SMA, 50 ohm, SMT	Cinch Connectivity	142-0701-851
R1, R5, R8, R9, R10, R16, R17, R18	8	RES, 0, 5%, 0.1 W, AEC-Q200 Grade 0, 0603	Vishay-Dale	CRCW06030000Z0EA
R6, R7, R13, R14	4	RES, 220, 5%, 0.1 W, AEC-Q200 Grade 0, 0603	Vishay-Dale	CRCW0603220RJNEA
R19, R20	2	RES, 120, 5%, 0.1 W, AEC-Q200 Grade 0, 0603	Vishay-Dale	CRCW0603120RJNEA
R21	1	RES, 1.87 k, 1%, 0.1 W, AEC-Q200 Grade 0, 0603	Vishay-Dale	CRCW06031K87FKEA
R22	1	RES, 2.43 k, 1%, 0.1 W, AEC-Q200 Grade 0, 0603	Vishay-Dale	CRCW06032K43FKEA
R23	1	RES, 3.57 k, 1%, 0.1 W, AEC-Q200 Grade 0, 0603	Vishay-Dale	CRCW06033K57FKEA
R24	1	RES, 1.50 k, 1%, 0.1 W, AEC-Q200 Grade 0, 0603	Vishay-Dale	CRCW06031K50FKEA
R25, R26	2	RES, 1.15 k, 1%, 0.1 W, AEC-Q200 Grade 0, 0603	Vishay-Dale	CRCW06031K15FKEA
SH-J1, SH-J2, SH-J3, SH-J4, SH-J5, SH-J6	6	Shunt, 100mil, Gold plated, Black	Samtec	SNT-100-BK-G
TP1, TP2, TP3, TP4, TP5, TP6	6	Test Point, Miniature, SMT	Keystone	5019

Table 4-1. Bill of Materials (continued)

Designator	Quantity	Description	Manufacturer	Part Number
U1	1	500mA High-Accuracy Low-Noise Low-Dropout (LDO) Voltage Regulator, DSK0010A (WSON-10)	Texas Instruments	TPS7A9001DSKR
C5	0	CAP, CERM, 0.1uF, 16V, +/- 5%, X7R, 0603	Kemet	C0603C104J4RACTU
FID1, FID2, FID3	0	Fiducial mark. There is nothing to buy or mount.	N/A	N/A
R2, R4, R11, R15	0	RES, 150, 5%, 0.1 W, AEC-Q200 Grade 0, 0603	Vishay-Dale	CRCW0603150RJNEA
R3, R12	0	RES, 100, 1%, 0.1 W, AEC-Q200 Grade 0, 0603	Vishay-Dale	CRCW0603100RFKEA
Y1	0	High-Performance BAW Oscillator; <125fs, +/- 25ppm, pin 1Active high; 2.5V/3.3V, -40C to 85C and DLF package	Texas Instruments	LMK6XDLF
Y2	0	High-Performance BAW Oscillator; <125fs, +/- 25ppm, pin 1Active high; 2.5V/3.3V, -40C to 85C and DLE package	Texas Instruments	LMK6XDLE

5 Additional Information

5.1 Trademarks

All trademarks are the property of their respective owners.

6 References

See the [LMK6x Low Jitter, High-Performance BAW Oscillator data sheet](#) for more information about the LMK6x devices.

7 Revision History

NOTE: Page numbers for previous revisions may differ from page numbers in the current version.

Changes from Revision A (December 2022) to Revision B (February 2024)	Page
• Added note to <i>Introduction</i> section.....	2
• Updated <i>LMK6EVM Evaluation Board</i> to show that Y1 and Y2 are not populated by default.....	3
• Updated <i>Connection Diagram</i> section.....	3

Changes from Revision * (April 2022) to Revision A (December 2022)	Page
• Changed the LMK6E6EVM-1/LMK6F6EVM to LMK6EVM.....	2

STANDARD TERMS FOR EVALUATION MODULES

1. *Delivery:* TI delivers TI evaluation boards, kits, or modules, including any accompanying demonstration software, components, and/or documentation which may be provided together or separately (collectively, an "EVM" or "EVMs") to the User ("User") in accordance with the terms set forth herein. User's acceptance of the EVM is expressly subject to the following terms.
 - 1.1 EVMs are intended solely for product or software developers for use in a research and development setting to facilitate feasibility evaluation, experimentation, or scientific analysis of TI semiconductors products. EVMs have no direct function and are not finished products. EVMs shall not be directly or indirectly assembled as a part or subassembly in any finished product. For clarification, any software or software tools provided with the EVM ("Software") shall not be subject to the terms and conditions set forth herein but rather shall be subject to the applicable terms that accompany such Software
 - 1.2 EVMs are not intended for consumer or household use. EVMs may not be sold, sublicensed, leased, rented, loaned, assigned, or otherwise distributed for commercial purposes by Users, in whole or in part, or used in any finished product or production system.
2. *Limited Warranty and Related Remedies/Disclaimers:*
 - 2.1 These terms do not apply to Software. The warranty, if any, for Software is covered in the applicable Software License Agreement.
 - 2.2 TI warrants that the TI EVM will conform to TI's published specifications for ninety (90) days after the date TI delivers such EVM to User. Notwithstanding the foregoing, TI shall not be liable for a nonconforming EVM if (a) the nonconformity was caused by neglect, misuse or mistreatment by an entity other than TI, including improper installation or testing, or for any EVMs that have been altered or modified in any way by an entity other than TI, (b) the nonconformity resulted from User's design, specifications or instructions for such EVMs or improper system design, or (c) User has not paid on time. Testing and other quality control techniques are used to the extent TI deems necessary. TI does not test all parameters of each EVM. User's claims against TI under this Section 2 are void if User fails to notify TI of any apparent defects in the EVMs within ten (10) business days after delivery, or of any hidden defects with ten (10) business days after the defect has been detected.
 - 2.3 TI's sole liability shall be at its option to repair or replace EVMs that fail to conform to the warranty set forth above, or credit User's account for such EVM. TI's liability under this warranty shall be limited to EVMs that are returned during the warranty period to the address designated by TI and that are determined by TI not to conform to such warranty. If TI elects to repair or replace such EVM, TI shall have a reasonable time to repair such EVM or provide replacements. Repaired EVMs shall be warranted for the remainder of the original warranty period. Replaced EVMs shall be warranted for a new full ninety (90) day warranty period.

WARNING

Evaluation Kits are intended solely for use by technically qualified, professional electronics experts who are familiar with the dangers and application risks associated with handling electrical mechanical components, systems, and subsystems.

User shall operate the Evaluation Kit within TI's recommended guidelines and any applicable legal or environmental requirements as well as reasonable and customary safeguards. Failure to set up and/or operate the Evaluation Kit within TI's recommended guidelines may result in personal injury or death or property damage. Proper set up entails following TI's instructions for electrical ratings of interface circuits such as input, output and electrical loads.

NOTE:

EXPOSURE TO ELECTROSTATIC DISCHARGE (ESD) MAY CAUSE DEGRADATION OR FAILURE OF THE EVALUATION KIT; TI RECOMMENDS STORAGE OF THE EVALUATION KIT IN A PROTECTIVE ESD BAG.

3 Regulatory Notices:

3.1 United States

3.1.1 Notice applicable to EVMs not FCC-Approved:

FCC NOTICE: This kit is designed to allow product developers to evaluate electronic components, circuitry, or software associated with the kit to determine whether to incorporate such items in a finished product and software developers to write software applications for use with the end product. This kit is not a finished product and when assembled may not be resold or otherwise marketed unless all required FCC equipment authorizations are first obtained. Operation is subject to the condition that this product not cause harmful interference to licensed radio stations and that this product accept harmful interference. Unless the assembled kit is designed to operate under part 15, part 18 or part 95 of this chapter, the operator of the kit must operate under the authority of an FCC license holder or must secure an experimental authorization under part 5 of this chapter.

3.1.2 For EVMs annotated as FCC – FEDERAL COMMUNICATIONS COMMISSION Part 15 Compliant:

CAUTION

This device complies with part 15 of the FCC Rules. Operation is subject to the following two conditions: (1) This device may not cause harmful interference, and (2) this device must accept any interference received, including interference that may cause undesired operation.

Changes or modifications not expressly approved by the party responsible for compliance could void the user's authority to operate the equipment.

FCC Interference Statement for Class A EVM devices

NOTE: This equipment has been tested and found to comply with the limits for a Class A digital device, pursuant to part 15 of the FCC Rules. These limits are designed to provide reasonable protection against harmful interference when the equipment is operated in a commercial environment. This equipment generates, uses, and can radiate radio frequency energy and, if not installed and used in accordance with the instruction manual, may cause harmful interference to radio communications. Operation of this equipment in a residential area is likely to cause harmful interference in which case the user will be required to correct the interference at his own expense.

FCC Interference Statement for Class B EVM devices

NOTE: This equipment has been tested and found to comply with the limits for a Class B digital device, pursuant to part 15 of the FCC Rules. These limits are designed to provide reasonable protection against harmful interference in a residential installation. This equipment generates, uses and can radiate radio frequency energy and, if not installed and used in accordance with the instructions, may cause harmful interference to radio communications. However, there is no guarantee that interference will not occur in a particular installation. If this equipment does cause harmful interference to radio or television reception, which can be determined by turning the equipment off and on, the user is encouraged to try to correct the interference by one or more of the following measures:

- Reorient or relocate the receiving antenna.
- Increase the separation between the equipment and receiver.
- Connect the equipment into an outlet on a circuit different from that to which the receiver is connected.
- Consult the dealer or an experienced radio/TV technician for help.

3.2 Canada

3.2.1 For EVMs issued with an Industry Canada Certificate of Conformance to RSS-210 or RSS-247

Concerning EVMs Including Radio Transmitters:

This device complies with Industry Canada license-exempt RSSs. Operation is subject to the following two conditions:

(1) this device may not cause interference, and (2) this device must accept any interference, including interference that may cause undesired operation of the device.

Concernant les EVMs avec appareils radio:

Le présent appareil est conforme aux CNR d'Industrie Canada applicables aux appareils radio exempts de licence. L'exploitation est autorisée aux deux conditions suivantes: (1) l'appareil ne doit pas produire de brouillage, et (2) l'utilisateur de l'appareil doit accepter tout brouillage radioélectrique subi, même si le brouillage est susceptible d'en compromettre le fonctionnement.

Concerning EVMs Including Detachable Antennas:

Under Industry Canada regulations, this radio transmitter may only operate using an antenna of a type and maximum (or lesser) gain approved for the transmitter by Industry Canada. To reduce potential radio interference to other users, the antenna type and its gain should be so chosen that the equivalent isotropically radiated power (e.i.r.p.) is not more than that necessary for successful communication. This radio transmitter has been approved by Industry Canada to operate with the antenna types listed in the user guide with the maximum permissible gain and required antenna impedance for each antenna type indicated. Antenna types not included in this list, having a gain greater than the maximum gain indicated for that type, are strictly prohibited for use with this device.

Concernant les EVMs avec antennes détachables

Conformément à la réglementation d'Industrie Canada, le présent émetteur radio peut fonctionner avec une antenne d'un type et d'un gain maximal (ou inférieur) approuvé pour l'émetteur par Industrie Canada. Dans le but de réduire les risques de brouillage radioélectrique à l'intention des autres utilisateurs, il faut choisir le type d'antenne et son gain de sorte que la puissance isotrope rayonnée équivalente (p.i.r.e.) ne dépasse pas l'intensité nécessaire à l'établissement d'une communication satisfaisante. Le présent émetteur radio a été approuvé par Industrie Canada pour fonctionner avec les types d'antenne énumérés dans le manuel d'usage et ayant un gain admissible maximal et l'impédance requise pour chaque type d'antenne. Les types d'antenne non inclus dans cette liste, ou dont le gain est supérieur au gain maximal indiqué, sont strictement interdits pour l'exploitation de l'émetteur.

3.3 Japan

3.3.1 *Notice for EVMs delivered in Japan:* Please see http://www.tij.co.jp/lstds/ti_ja/general/eStore/notice_01.page 日本国内に輸入される評価用キット、ボードについては、次のところをご覧ください。

<https://www.ti.com/ja-jp/legal/notice-for-evaluation-kits-delivered-in-japan.html>

3.3.2 *Notice for Users of EVMs Considered "Radio Frequency Products" in Japan:* EVMs entering Japan may not be certified by TI as conforming to Technical Regulations of Radio Law of Japan.

If User uses EVMs in Japan, not certified to Technical Regulations of Radio Law of Japan, User is required to follow the instructions set forth by Radio Law of Japan, which includes, but is not limited to, the instructions below with respect to EVMs (which for the avoidance of doubt are stated strictly for convenience and should be verified by User):

1. Use EVMs in a shielded room or any other test facility as defined in the notification #173 issued by Ministry of Internal Affairs and Communications on March 28, 2006, based on Sub-section 1.1 of Article 6 of the Ministry's Rule for Enforcement of Radio Law of Japan,
2. Use EVMs only after User obtains the license of Test Radio Station as provided in Radio Law of Japan with respect to EVMs, or
3. Use of EVMs only after User obtains the Technical Regulations Conformity Certification as provided in Radio Law of Japan with respect to EVMs. Also, do not transfer EVMs, unless User gives the same notice above to the transferee. Please note that if User does not follow the instructions above, User will be subject to penalties of Radio Law of Japan.

【無線電波を送信する製品の開発キットをお使いになる際の注意事項】 開発キットの中には技術基準適合証明を受けていないものがあります。技術適合証明を受けていないものご使用に際しては、電波法遵守のため、以下のいずれかの措置を取っていただく必要がありますのでご注意ください。

1. 電波法施行規則第6条第1項第1号に基づく平成18年3月28日総務省告示第173号で定められた電波暗室等の試験設備でご使用いただく。
2. 実験局の免許を取得後ご使用いただく。
3. 技術基準適合証明を取得後ご使用いただく。

なお、本製品は、上記の「ご使用にあたっての注意」を譲渡先、移転先に通知しない限り、譲渡、移転できないものとします。

上記を遵守頂けない場合は、電波法の罰則が適用される可能性があることをご留意ください。日本テキサス・イ

ンスツルメンツ株式会社

東京都新宿区西新宿 6 丁目 2 4 番 1 号

西新宿三井ビル

3.3.3 *Notice for EVMs for Power Line Communication:* Please see http://www.tij.co.jp/lstds/ti_ja/general/eStore/notice_02.page

電力線搬送波通信についての開発キットをお使いになる際の注意事項については、次のところをご覧ください。 <https://www.ti.com/ja-jp/legal/notice-for-evaluation-kits-for-power-line-communication.html>

3.4 European Union

3.4.1 *For EVMs subject to EU Directive 2014/30/EU (Electromagnetic Compatibility Directive):*

This is a class A product intended for use in environments other than domestic environments that are connected to a low-voltage power-supply network that supplies buildings used for domestic purposes. In a domestic environment this product may cause radio interference in which case the user may be required to take adequate measures.

-
- 4 *EVM Use Restrictions and Warnings:*
 - 4.1 EVMS ARE NOT FOR USE IN FUNCTIONAL SAFETY AND/OR SAFETY CRITICAL EVALUATIONS, INCLUDING BUT NOT LIMITED TO EVALUATIONS OF LIFE SUPPORT APPLICATIONS.
 - 4.2 User must read and apply the user guide and other available documentation provided by TI regarding the EVM prior to handling or using the EVM, including without limitation any warning or restriction notices. The notices contain important safety information related to, for example, temperatures and voltages.
 - 4.3 *Safety-Related Warnings and Restrictions:*
 - 4.3.1 User shall operate the EVM within TI's recommended specifications and environmental considerations stated in the user guide, other available documentation provided by TI, and any other applicable requirements and employ reasonable and customary safeguards. Exceeding the specified performance ratings and specifications (including but not limited to input and output voltage, current, power, and environmental ranges) for the EVM may cause personal injury or death, or property damage. If there are questions concerning performance ratings and specifications, User should contact a TI field representative prior to connecting interface electronics including input power and intended loads. Any loads applied outside of the specified output range may also result in unintended and/or inaccurate operation and/or possible permanent damage to the EVM and/or interface electronics. Please consult the EVM user guide prior to connecting any load to the EVM output. If there is uncertainty as to the load specification, please contact a TI field representative. During normal operation, even with the inputs and outputs kept within the specified allowable ranges, some circuit components may have elevated case temperatures. These components include but are not limited to linear regulators, switching transistors, pass transistors, current sense resistors, and heat sinks, which can be identified using the information in the associated documentation. When working with the EVM, please be aware that the EVM may become very warm.
 - 4.3.2 EVMs are intended solely for use by technically qualified, professional electronics experts who are familiar with the dangers and application risks associated with handling electrical mechanical components, systems, and subsystems. User assumes all responsibility and liability for proper and safe handling and use of the EVM by User or its employees, affiliates, contractors or designees. User assumes all responsibility and liability to ensure that any interfaces (electronic and/or mechanical) between the EVM and any human body are designed with suitable isolation and means to safely limit accessible leakage currents to minimize the risk of electrical shock hazard. User assumes all responsibility and liability for any improper or unsafe handling or use of the EVM by User or its employees, affiliates, contractors or designees.
 - 4.4 User assumes all responsibility and liability to determine whether the EVM is subject to any applicable international, federal, state, or local laws and regulations related to User's handling and use of the EVM and, if applicable, User assumes all responsibility and liability for compliance in all respects with such laws and regulations. User assumes all responsibility and liability for proper disposal and recycling of the EVM consistent with all applicable international, federal, state, and local requirements.
 5. *Accuracy of Information:* To the extent TI provides information on the availability and function of EVMs, TI attempts to be as accurate as possible. However, TI does not warrant the accuracy of EVM descriptions, EVM availability or other information on its websites as accurate, complete, reliable, current, or error-free.
 6. *Disclaimers:*
 - 6.1 EXCEPT AS SET FORTH ABOVE, EVMS AND ANY MATERIALS PROVIDED WITH THE EVM (INCLUDING, BUT NOT LIMITED TO, REFERENCE DESIGNS AND THE DESIGN OF THE EVM ITSELF) ARE PROVIDED "AS IS" AND "WITH ALL FAULTS." TI DISCLAIMS ALL OTHER WARRANTIES, EXPRESS OR IMPLIED, REGARDING SUCH ITEMS, INCLUDING BUT NOT LIMITED TO ANY EPIDEMIC FAILURE WARRANTY OR IMPLIED WARRANTIES OF MERCHANTABILITY OR FITNESS FOR A PARTICULAR PURPOSE OR NON-INFRINGEMENT OF ANY THIRD PARTY PATENTS, COPYRIGHTS, TRADE SECRETS OR OTHER INTELLECTUAL PROPERTY RIGHTS.
 - 6.2 EXCEPT FOR THE LIMITED RIGHT TO USE THE EVM SET FORTH HEREIN, NOTHING IN THESE TERMS SHALL BE CONSTRUED AS GRANTING OR CONFERRING ANY RIGHTS BY LICENSE, PATENT, OR ANY OTHER INDUSTRIAL OR INTELLECTUAL PROPERTY RIGHT OF TI, ITS SUPPLIERS/LICENSORS OR ANY OTHER THIRD PARTY, TO USE THE EVM IN ANY FINISHED END-USER OR READY-TO-USE FINAL PRODUCT, OR FOR ANY INVENTION, DISCOVERY OR IMPROVEMENT, REGARDLESS OF WHEN MADE, CONCEIVED OR ACQUIRED.
 7. *USER'S INDEMNITY OBLIGATIONS AND REPRESENTATIONS.* USER WILL DEFEND, INDEMNIFY AND HOLD TI, ITS LICENSORS AND THEIR REPRESENTATIVES HARMLESS FROM AND AGAINST ANY AND ALL CLAIMS, DAMAGES, LOSSES, EXPENSES, COSTS AND LIABILITIES (COLLECTIVELY, "CLAIMS") ARISING OUT OF OR IN CONNECTION WITH ANY HANDLING OR USE OF THE EVM THAT IS NOT IN ACCORDANCE WITH THESE TERMS. THIS OBLIGATION SHALL APPLY WHETHER CLAIMS ARISE UNDER STATUTE, REGULATION, OR THE LAW OF TORT, CONTRACT OR ANY OTHER LEGAL THEORY, AND EVEN IF THE EVM FAILS TO PERFORM AS DESCRIBED OR EXPECTED.

8. *Limitations on Damages and Liability:*

8.1 *General Limitations.* IN NO EVENT SHALL TI BE LIABLE FOR ANY SPECIAL, COLLATERAL, INDIRECT, PUNITIVE, INCIDENTAL, CONSEQUENTIAL, OR EXEMPLARY DAMAGES IN CONNECTION WITH OR ARISING OUT OF THESE TERMS OR THE USE OF THE EVMS , REGARDLESS OF WHETHER TI HAS BEEN ADVISED OF THE POSSIBILITY OF SUCH DAMAGES. EXCLUDED DAMAGES INCLUDE, BUT ARE NOT LIMITED TO, COST OF REMOVAL OR REINSTALLATION, ANCILLARY COSTS TO THE PROCUREMENT OF SUBSTITUTE GOODS OR SERVICES, RETESTING, OUTSIDE COMPUTER TIME, LABOR COSTS, LOSS OF GOODWILL, LOSS OF PROFITS, LOSS OF SAVINGS, LOSS OF USE, LOSS OF DATA, OR BUSINESS INTERRUPTION. NO CLAIM, SUIT OR ACTION SHALL BE BROUGHT AGAINST TI MORE THAN TWELVE (12) MONTHS AFTER THE EVENT THAT GAVE RISE TO THE CAUSE OF ACTION HAS OCCURRED.

8.2 *Specific Limitations.* IN NO EVENT SHALL TI'S AGGREGATE LIABILITY FROM ANY USE OF AN EVM PROVIDED HEREUNDER, INCLUDING FROM ANY WARRANTY, INDEMNITY OR OTHER OBLIGATION ARISING OUT OF OR IN CONNECTION WITH THESE TERMS, , EXCEED THE TOTAL AMOUNT PAID TO TI BY USER FOR THE PARTICULAR EVM(S) AT ISSUE DURING THE PRIOR TWELVE (12) MONTHS WITH RESPECT TO WHICH LOSSES OR DAMAGES ARE CLAIMED. THE EXISTENCE OF MORE THAN ONE CLAIM SHALL NOT ENLARGE OR EXTEND THIS LIMIT.

9. *Return Policy.* Except as otherwise provided, TI does not offer any refunds, returns, or exchanges. Furthermore, no return of EVM(s) will be accepted if the package has been opened and no return of the EVM(s) will be accepted if they are damaged or otherwise not in a resalable condition. If User feels it has been incorrectly charged for the EVM(s) it ordered or that delivery violates the applicable order, User should contact TI. All refunds will be made in full within thirty (30) working days from the return of the components(s), excluding any postage or packaging costs.

10. *Governing Law:* These terms and conditions shall be governed by and interpreted in accordance with the laws of the State of Texas, without reference to conflict-of-laws principles. User agrees that non-exclusive jurisdiction for any dispute arising out of or relating to these terms and conditions lies within courts located in the State of Texas and consents to venue in Dallas County, Texas. Notwithstanding the foregoing, any judgment may be enforced in any United States or foreign court, and TI may seek injunctive relief in any United States or foreign court.

Mailing Address: Texas Instruments, Post Office Box 655303, Dallas, Texas 75265
Copyright © 2023, Texas Instruments Incorporated

IMPORTANT NOTICE AND DISCLAIMER

TI PROVIDES TECHNICAL AND RELIABILITY DATA (INCLUDING DATA SHEETS), DESIGN RESOURCES (INCLUDING REFERENCE DESIGNS), APPLICATION OR OTHER DESIGN ADVICE, WEB TOOLS, SAFETY INFORMATION, AND OTHER RESOURCES "AS IS" AND WITH ALL FAULTS, AND DISCLAIMS ALL WARRANTIES, EXPRESS AND IMPLIED, INCLUDING WITHOUT LIMITATION ANY IMPLIED WARRANTIES OF MERCHANTABILITY, FITNESS FOR A PARTICULAR PURPOSE OR NON-INFRINGEMENT OF THIRD PARTY INTELLECTUAL PROPERTY RIGHTS.

These resources are intended for skilled developers designing with TI products. You are solely responsible for (1) selecting the appropriate TI products for your application, (2) designing, validating and testing your application, and (3) ensuring your application meets applicable standards, and any other safety, security, regulatory or other requirements.

These resources are subject to change without notice. TI grants you permission to use these resources only for development of an application that uses the TI products described in the resource. Other reproduction and display of these resources is prohibited. No license is granted to any other TI intellectual property right or to any third party intellectual property right. TI disclaims responsibility for, and you will fully indemnify TI and its representatives against, any claims, damages, costs, losses, and liabilities arising out of your use of these resources.

TI's products are provided subject to [TI's Terms of Sale](#) or other applicable terms available either on [ti.com](https://www.ti.com) or provided in conjunction with such TI products. TI's provision of these resources does not expand or otherwise alter TI's applicable warranties or warranty disclaimers for TI products.

TI objects to and rejects any additional or different terms you may have proposed.

Mailing Address: Texas Instruments, Post Office Box 655303, Dallas, Texas 75265
Copyright © 2024, Texas Instruments Incorporated