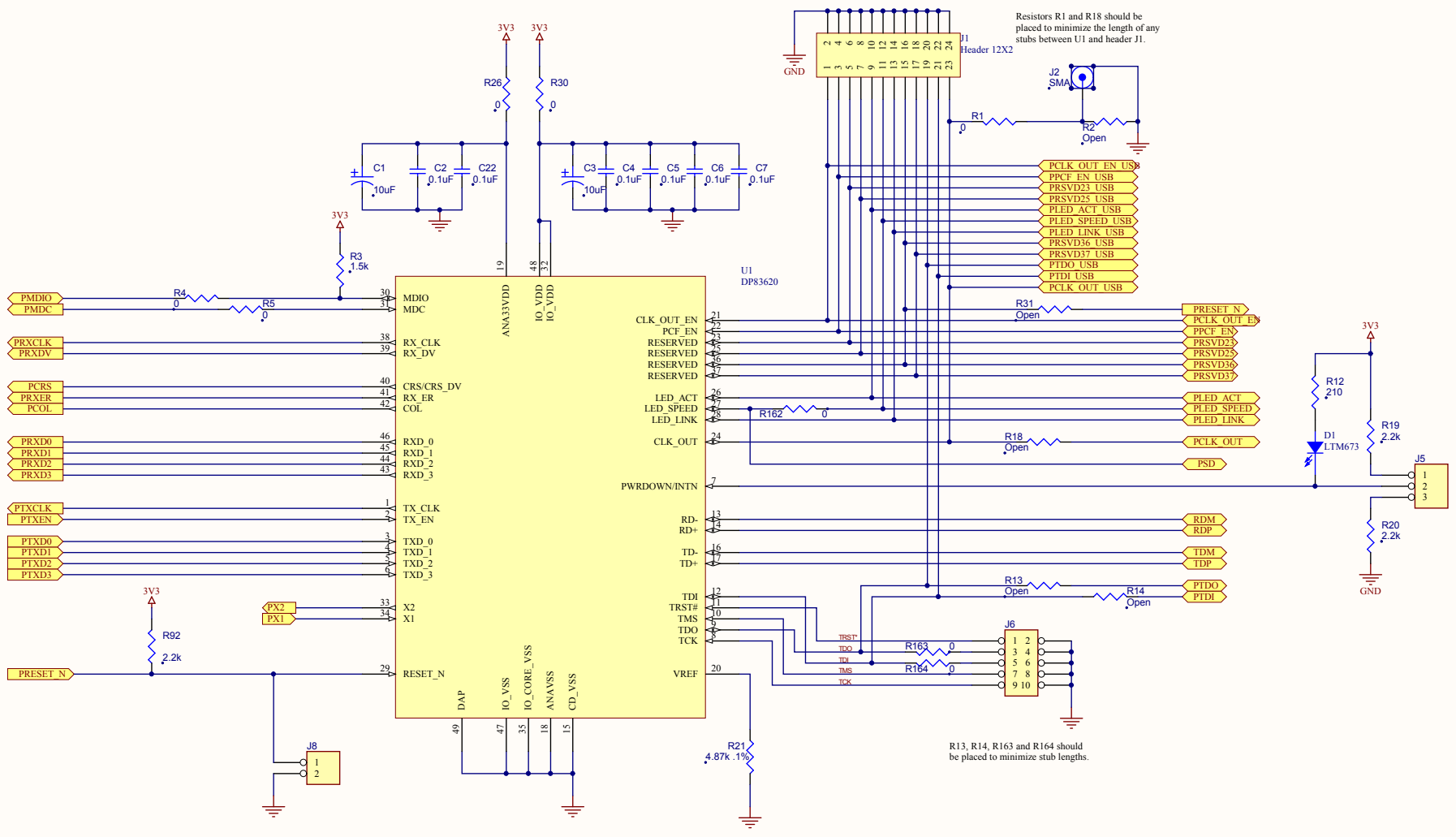


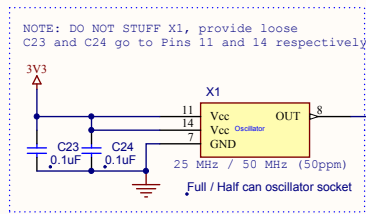
AN_EN	AN1	AN0	AUTO-NEG FORCED MODES	
0	0	0	10BASE-T	HALF-DUPLEX
0	0	1	10BASE-T	FULL-DUPLEX
0	1	0	100BASE-TX	HALF-DUPLEX
0	1	1	100BASE-TX	FULL-DUPLEX

AN_EN	AN1	AN0	AUTO-NEG ADVERTISED MODES	
1	0	0	10BASE-T	HALF/FULL-DUPLEX
1	0	1	100BASE-TX	HALF/FULL-DUPLEX
1	1	0	100BASE-TX	FULL-DUPLEX
1	1	1	10BASE-T	HALF/FULL-DUPLEX
			100BASE-TX	HALF/FULL-DUPLEX

Title		
DP83620 TP&FX Demo Board - Cover		
Size	Document Number	Rev
▲	870600596-001	1.4
Date:	1/19/2011	Sheet 1 of 10



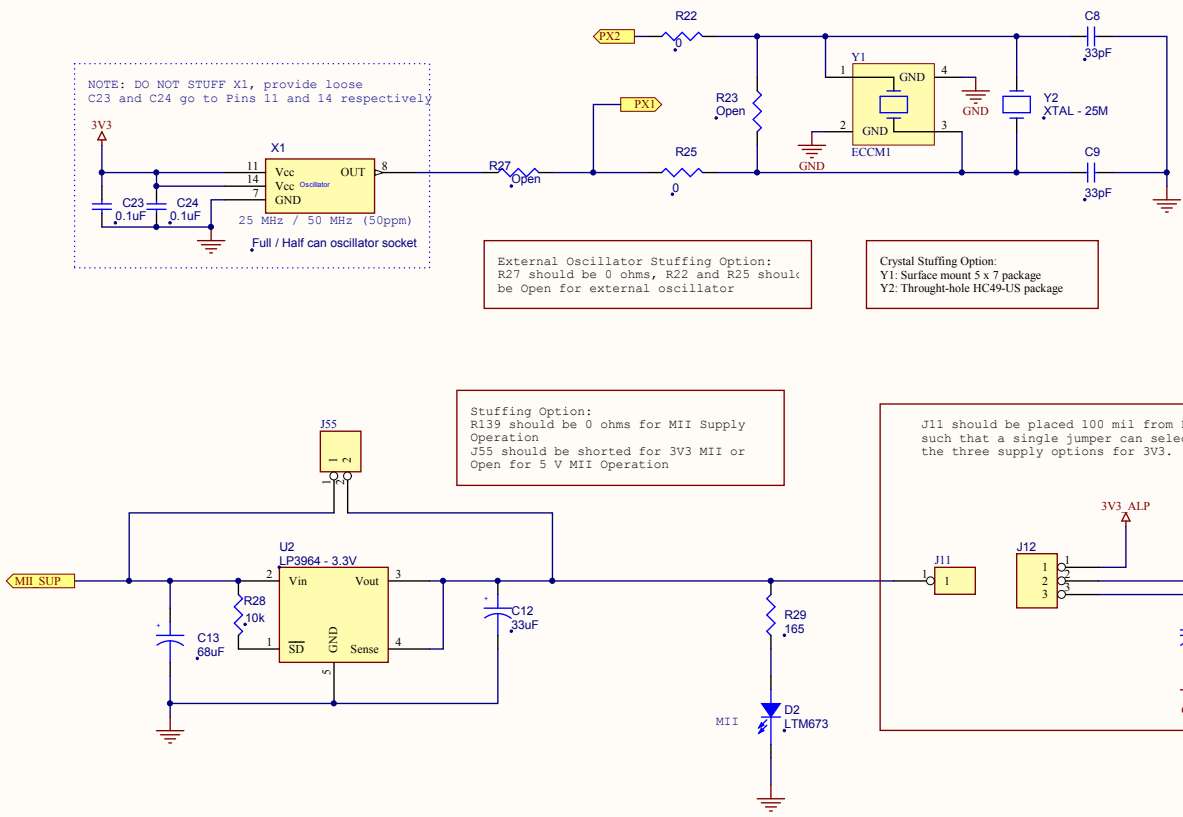
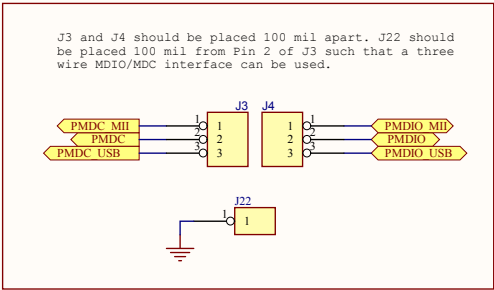
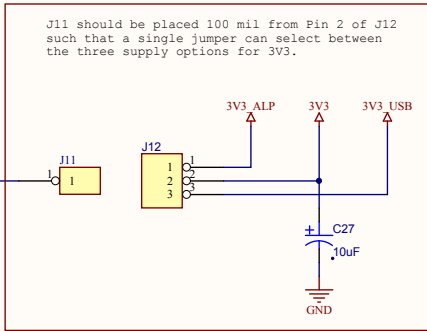
Title		
DP83620 TP&FX Demo Board - Ethernet PHY Page		
Size	Document Number	Rev
	870600596-001	1.4
Date:	1/19/2011	Sheet 2 of 10

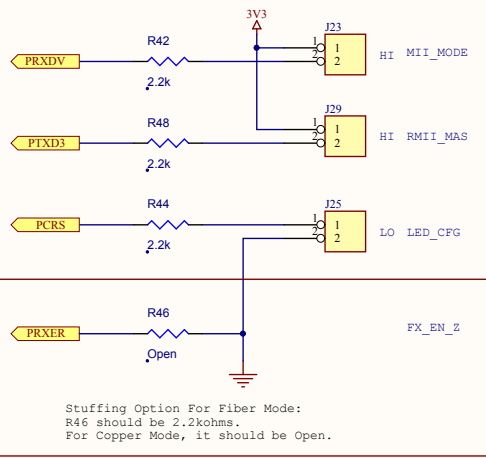


External Oscillator Stuffing Option:
R27 should be 0 ohms, R22 and R25 should be Open for external oscillator

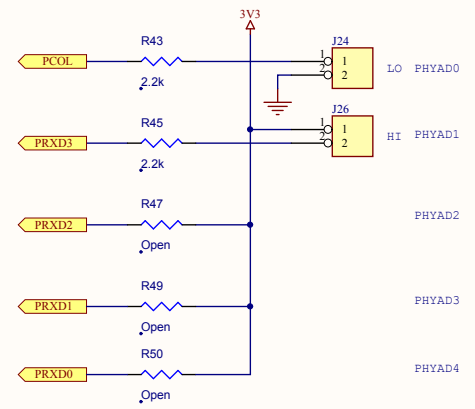
Crystal Stuffing Option:
Y1: Surface mount 5 x 7 package
Y2: Through-hole HC49-US package

Stuffing Option:
R139 should be 0 ohms for MII Supply Operation
J55 should be shorted for 3V3 MII or Open for 5 V MII Operation





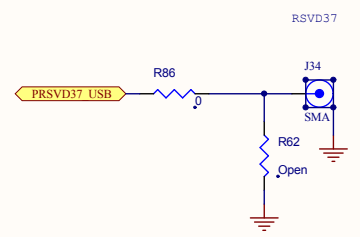
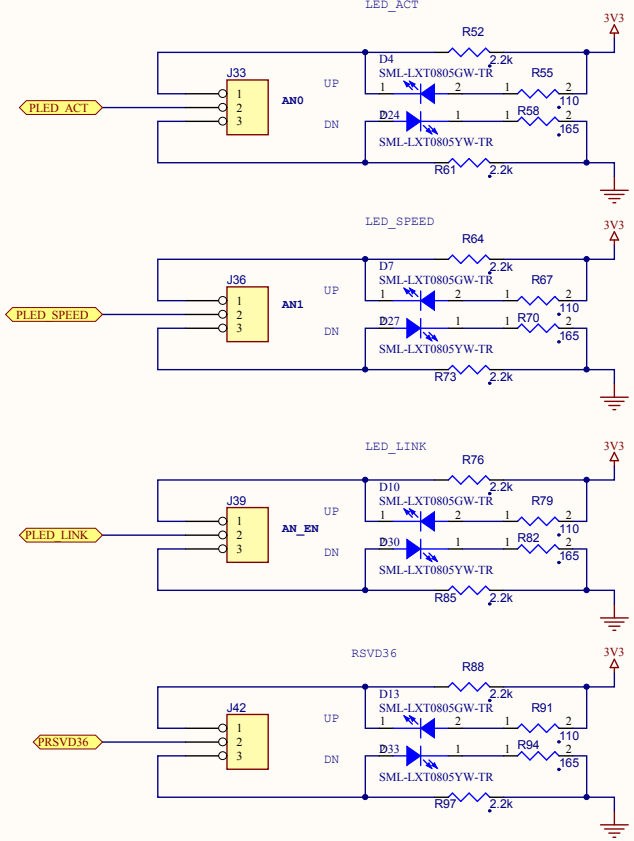
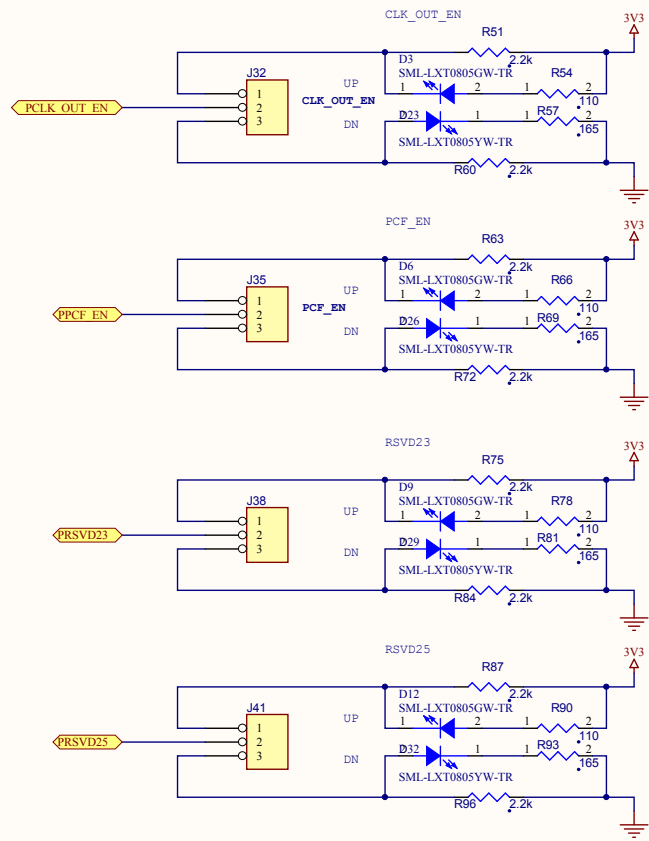
Stuffing Option For Fiber Mode:
 R46 should be 2.2kohms.
 For Copper Mode, it should be Open.



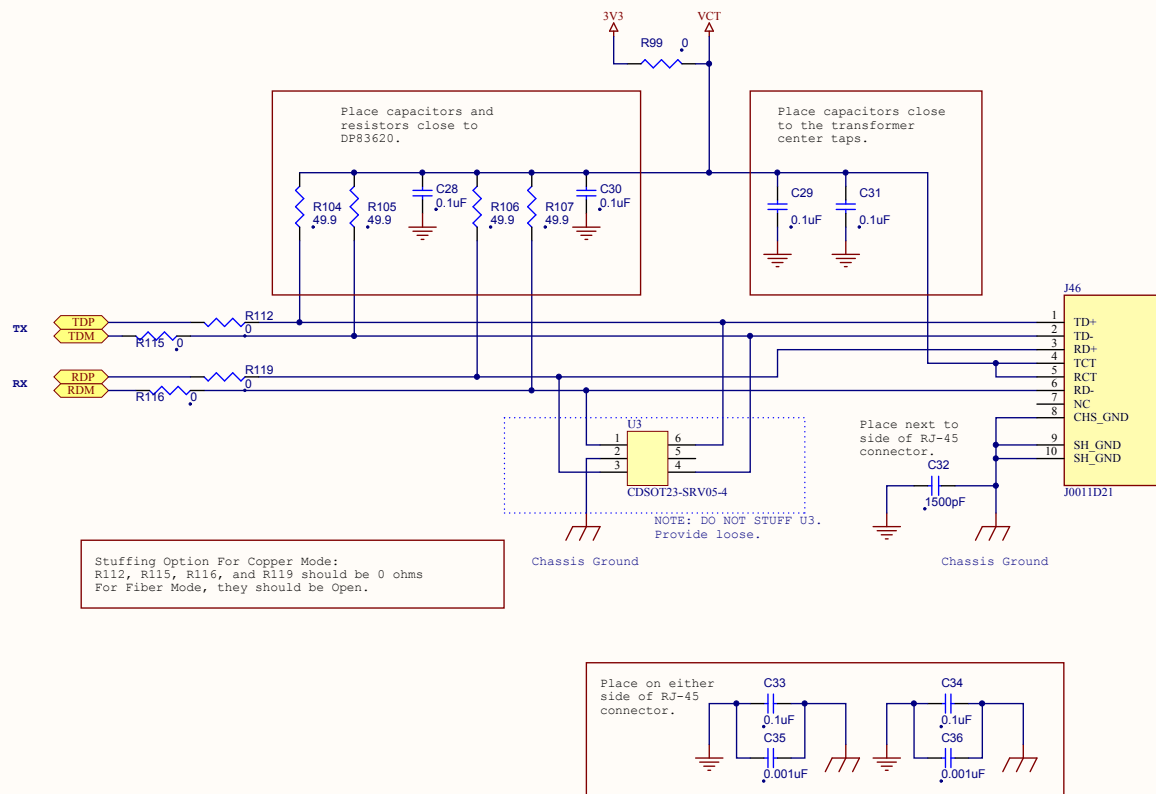
Phy Address Straps:

PHYAD1	PHYAD0	ADDRESS
0	0	0
0	1	1 (Default)
1	0	2
1	1	3

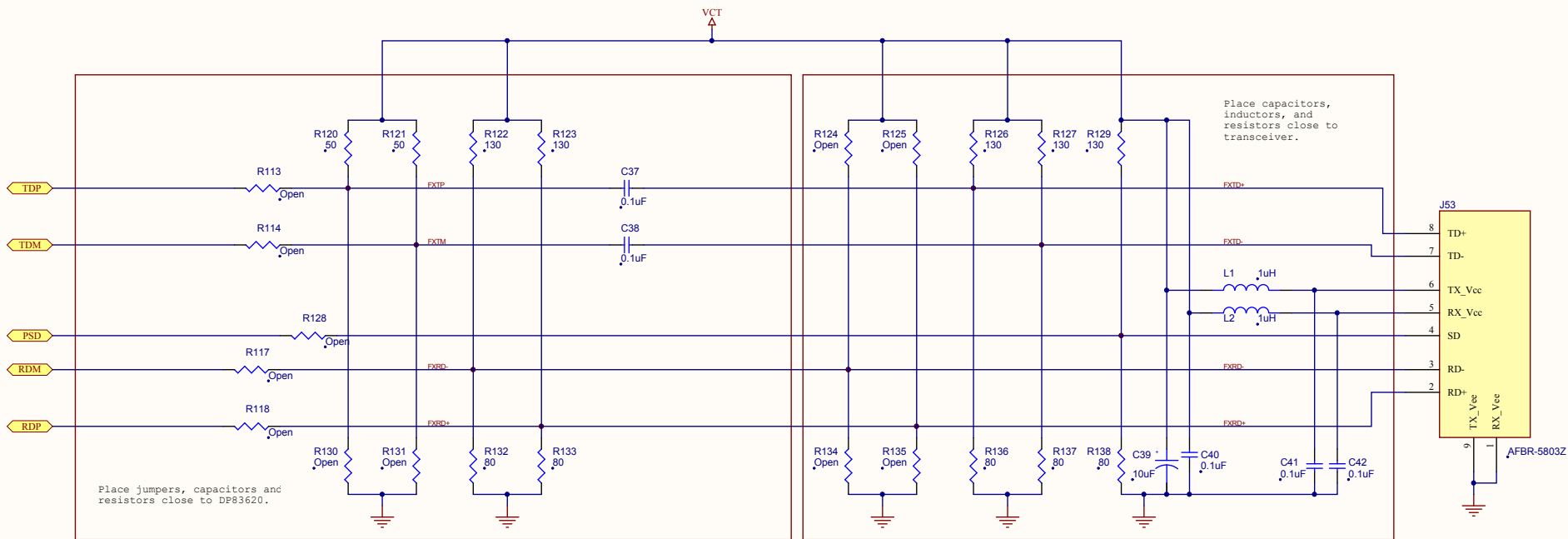
PHYAD2, PHYAD3 and PHYAD4 are internally strapped to 0.
 R47, R49 and R50 can be stuffed with 2.2kohm to allow selection of Phy addresses above 3.



Title		
DP83620 TP&FX Demo Board - Strap Options Page 2		
Size	Document Number	Rev
▲	870600596-001	1.4
Date:	1/19/2011	Sheet 5 of 10

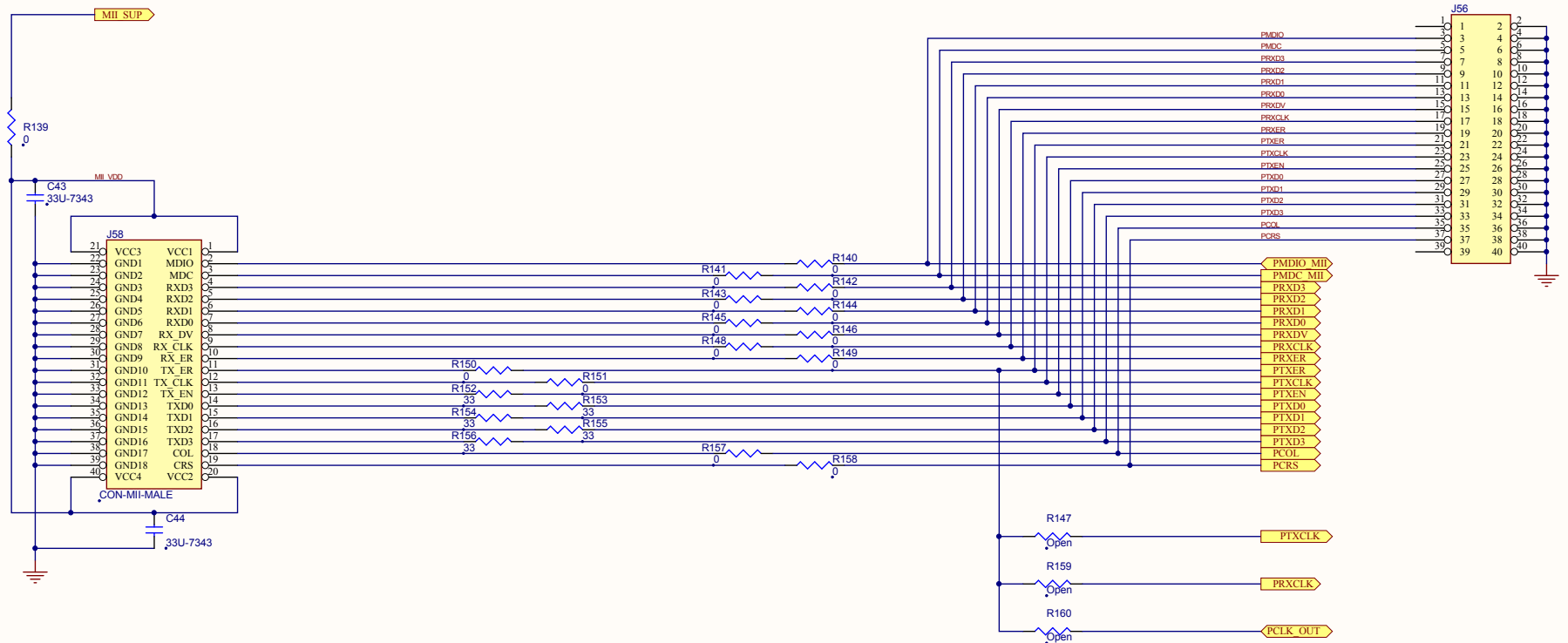


Title		DP83620 TP&FX Demo Board - TP Page	
Size	Document Number	Rev	
▲	870600596-001	1.4	
Date:	1/19/2011	Sheet	6 of 10



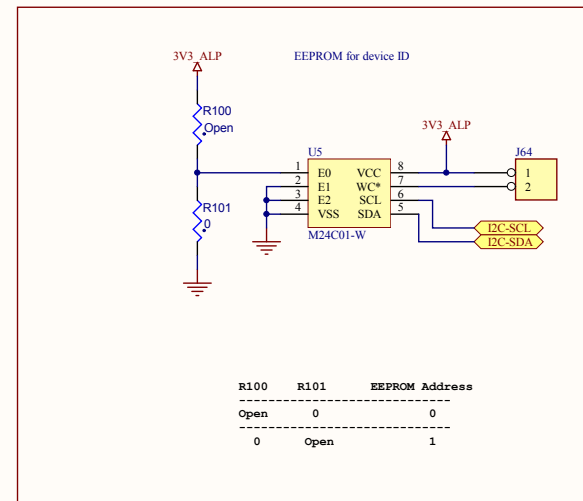
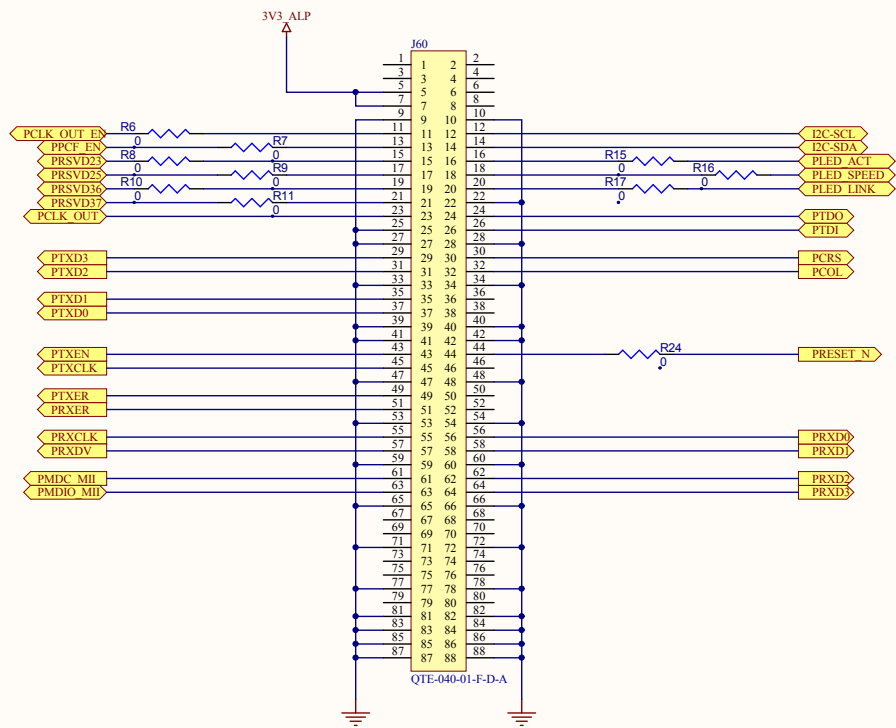
Important note:
 - R112, R115, R116, R119 are to be routed on top.
 - R113, R114, R117, R118 are to be routed on bottom.
 Stuffing option:
 For Copper Stuff: R112, R115, R116, R119
 For Fiber Stuff: R113, R114, R117, R118, R128

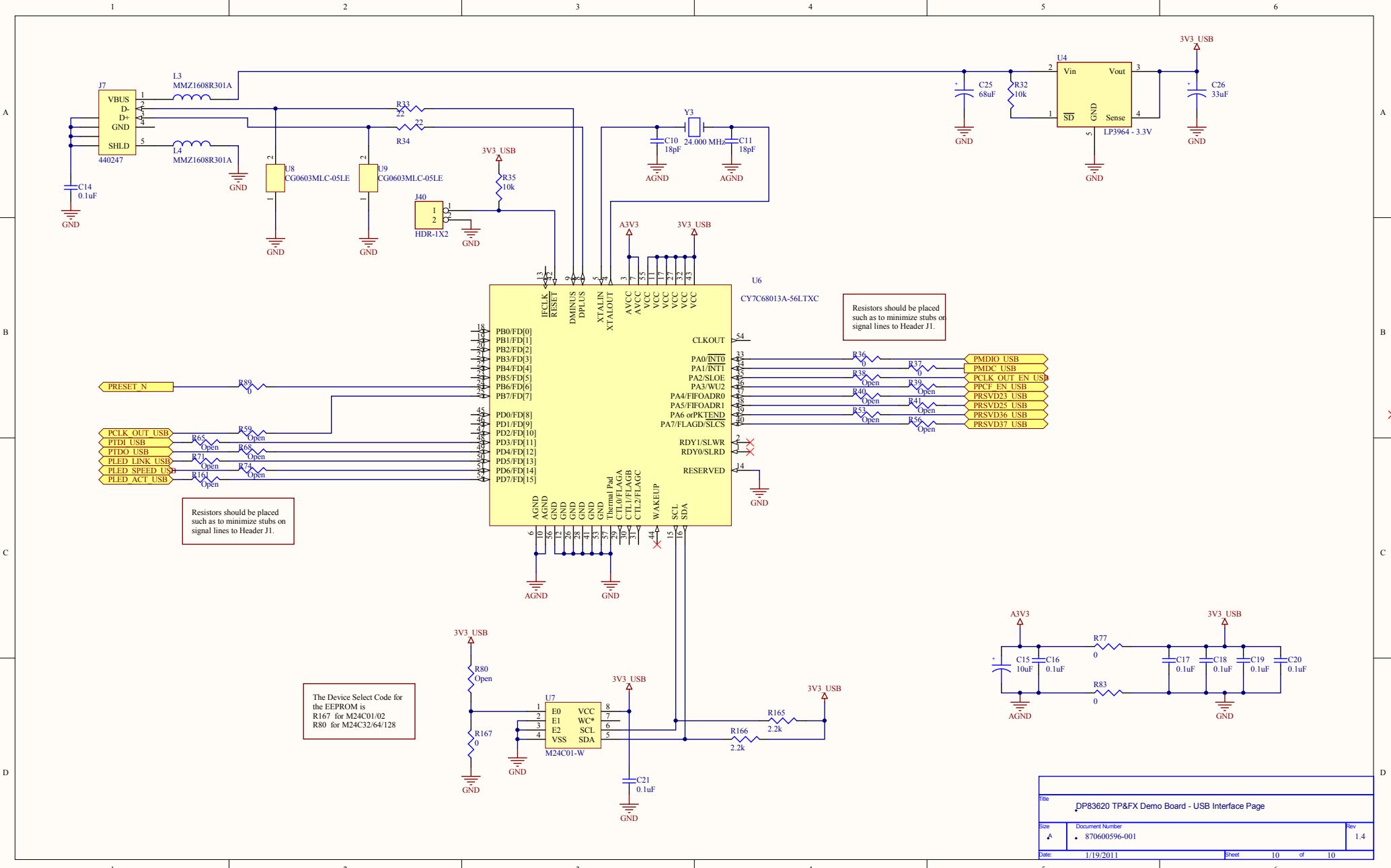
Title		
DP83620 TP&FX Demo Board - FX Page		
Size	Document Number	Rev
▲	870600596-001	1.4
Date:	1/19/2011	Sheet 7 of 10



Resistor R147, R159 and R160 should be placed close to each other.

Title		
DP83620 TP&FX Demo Board - MII Page		
Size	Document Number	Rev
1/8"	870600596-001	1.4
Date:	1/19/2011	Sheet 8 of 10





Resistors should be placed such as to minimize stubs on signal lines to Header J1.

Resistors should be placed such as to minimize stubs on signal lines to Header J1.

The Device Select Code for the EEPROM is
 R167 for M24C01/02
 R80 for M24C32/64/128

Title		
DP83620 TP&FX Demo Board - USB Interface Page		
Size	Document Number	Rev
A	870600596-001	1.4
Date:	1/19/2011	Sheet 10 of 10

IMPORTANT NOTICE

Texas Instruments Incorporated and its subsidiaries (TI) reserve the right to make corrections, modifications, enhancements, improvements, and other changes to its products and services at any time and to discontinue any product or service without notice. Customers should obtain the latest relevant information before placing orders and should verify that such information is current and complete. All products are sold subject to TI's terms and conditions of sale supplied at the time of order acknowledgment.

TI warrants performance of its hardware products to the specifications applicable at the time of sale in accordance with TI's standard warranty. Testing and other quality control techniques are used to the extent TI deems necessary to support this warranty. Except where mandated by government requirements, testing of all parameters of each product is not necessarily performed.

TI assumes no liability for applications assistance or customer product design. Customers are responsible for their products and applications using TI components. To minimize the risks associated with customer products and applications, customers should provide adequate design and operating safeguards.

TI does not warrant or represent that any license, either express or implied, is granted under any TI patent right, copyright, mask work right, or other TI intellectual property right relating to any combination, machine, or process in which TI products or services are used. Information published by TI regarding third-party products or services does not constitute a license from TI to use such products or services or a warranty or endorsement thereof. Use of such information may require a license from a third party under the patents or other intellectual property of the third party, or a license from TI under the patents or other intellectual property of TI.

Reproduction of TI information in TI data books or data sheets is permissible only if reproduction is without alteration and is accompanied by all associated warranties, conditions, limitations, and notices. Reproduction of this information with alteration is an unfair and deceptive business practice. TI is not responsible or liable for such altered documentation. Information of third parties may be subject to additional restrictions.

Resale of TI products or services with statements different from or beyond the parameters stated by TI for that product or service voids all express and any implied warranties for the associated TI product or service and is an unfair and deceptive business practice. TI is not responsible or liable for any such statements.

TI products are not authorized for use in safety-critical applications (such as life support) where a failure of the TI product would reasonably be expected to cause severe personal injury or death, unless officers of the parties have executed an agreement specifically governing such use. Buyers represent that they have all necessary expertise in the safety and regulatory ramifications of their applications, and acknowledge and agree that they are solely responsible for all legal, regulatory and safety-related requirements concerning their products and any use of TI products in such safety-critical applications, notwithstanding any applications-related information or support that may be provided by TI. Further, Buyers must fully indemnify TI and its representatives against any damages arising out of the use of TI products in such safety-critical applications.

TI products are neither designed nor intended for use in military/aerospace applications or environments unless the TI products are specifically designated by TI as military-grade or "enhanced plastic." Only products designated by TI as military-grade meet military specifications. Buyers acknowledge and agree that any such use of TI products which TI has not designated as military-grade is solely at the Buyer's risk, and that they are solely responsible for compliance with all legal and regulatory requirements in connection with such use.

TI products are neither designed nor intended for use in automotive applications or environments unless the specific TI products are designated by TI as compliant with ISO/TS 16949 requirements. Buyers acknowledge and agree that, if they use any non-designated products in automotive applications, TI will not be responsible for any failure to meet such requirements.

Following are URLs where you can obtain information on other Texas Instruments products and application solutions:

Products

Audio	www.ti.com/audio
Amplifiers	amplifier.ti.com
Data Converters	dataconverter.ti.com
DLP® Products	www.dlp.com
DSP	dsp.ti.com
Clocks and Timers	www.ti.com/clocks
Interface	interface.ti.com
Logic	logic.ti.com
Power Mgmt	power.ti.com
Microcontrollers	microcontroller.ti.com
RFID	www.ti-rfid.com
OMAP Mobile Processors	www.ti.com/omap
Wireless Connectivity	www.ti.com/wirelessconnectivity

Applications

Automotive and Transportation	www.ti.com/automotive
Communications and Telecom	www.ti.com/communications
Computers and Peripherals	www.ti.com/computers
Consumer Electronics	www.ti.com/consumer-apps
Energy and Lighting	www.ti.com/energy
Industrial	www.ti.com/industrial
Medical	www.ti.com/medical
Security	www.ti.com/security
Space, Avionics and Defense	www.ti.com/space-avionics-defense
Video and Imaging	www.ti.com/video

TI E2E Community Home Page

e2e.ti.com

Mailing Address: Texas Instruments, Post Office Box 655303, Dallas, Texas 75265
Copyright © 2012, Texas Instruments Incorporated