



ABSTRACT

This user's guide describes the evaluation module (EVM) for Texas Instruments ideal diode controller, LM74700-Q1. This document provides configuration information and test setup details for evaluating LM74700-Q1 device in 8-pin DDF package. An EVM schematic, board layout images, and bill of materials (BOM) are included.

Table of Contents

1 Introduction	2
2 Setup	2
2.1 I/O Connector Description.....	2
2.2 Board Setup.....	3
2.3 Schematic.....	4
3 Operation	5
3.1 Reverse Polarity Protection.....	5
3.2 ORing Application.....	6
4 EVM Board Assembly Drawings and Layout Guidelines	7
4.1 PCB Drawings.....	7
4.2 Bill of Materials.....	9

List of Figures

Figure 2-1. LM74700DDFEVM Typical Application Circuit.....	2
Figure 2-2. LM74700DDFEVM.....	3
Figure 2-3. LM74700DDFEVM Schematic.....	4
Figure 3-1. Reverse Polarity 12 V to –12 V.....	5
Figure 3-2. Startup Reverse Polarity (–12 V).....	5
Figure 3-3. ORing Application – Higher Supply Switchover.....	6
Figure 3-4. ORing Application 12-V – Lower Supply Test.....	6
Figure 4-1. LM74700DDFEVM Top Side Placement.....	7
Figure 4-2. LM74700DDFEVM Bottom Side Placement.....	7
Figure 4-3. LM74700DDFEVM Top Layer Routing.....	8
Figure 4-4. LM74700DDFEVM Bottom Layer Routing.....	8

List of Tables

Table 4-1. Bill of Materials.....	9
-----------------------------------	---

Trademarks

All trademarks are the property of their respective owners.

1 Introduction

The LM74700-Q1 evaluation module (LM74700DDFEVM) assists designers to evaluate the operation and performance of the LM74700-Q1 ideal diode controller (8-pin DDF package). This evaluation module demonstrates how an N-channel power MOSFET can emulate a very-low forward voltage diode with low I_Q and low-leakage current flowing through the IC. In this design scheme, the LM74700-Q1 is combined with a MOSFET and used in series with a battery as a replacement for a Schottky diode and PFET, in reverse-polarity protection circuitry as shown in [Figure 2-1](#). For more information on the LM74700-Q1 functional and electrical characteristics, see [LM74700-Q1 Low \$I_Q\$ reverse battery protection ideal diode controller](#).

2 Setup

This section describes the jumpers and connectors on the EVM, and how to properly connect, setup, and use the LM74700DDFEVM. Ensure the power supply is turned off while making connections on the board.

2.1 I/O Connector Description

VIN	J1: Power input connector to the positive rail of the input power supply
GND1	J3: Ground connection for the power supply
VOUT	J2: Power output connector to the positive side of the load
GND2	J4: Ground connection for the load
Test Points	VIN, VOUT, GND1, and GND2 are test points

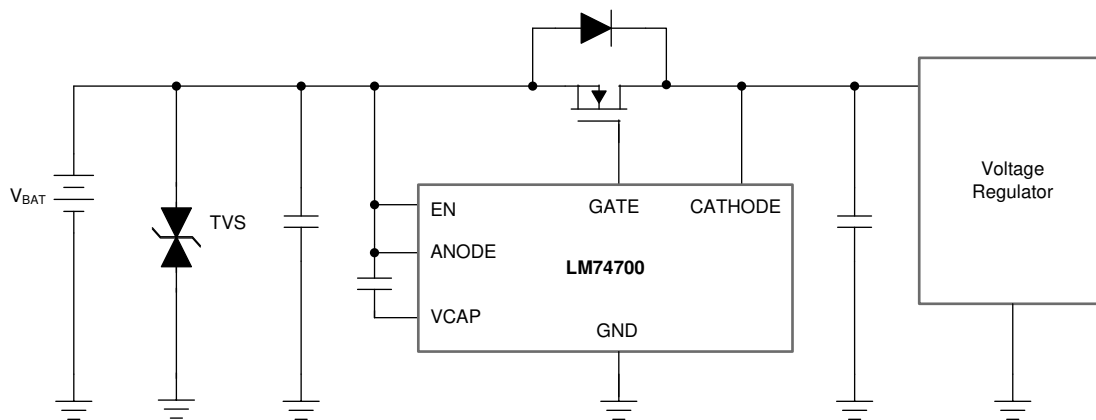


Figure 2-1. LM74700DDFEVM Typical Application Circuit

2.2 Board Setup

Before applying power to the LM74700DDFEVM, verify all external connections. Turn off external power supplies and connect them with the proper polarity to the VIN and GND1 connectors. An electronic or resistive load must be connected at the output VOUT and GND2 connectors. The tests outlined in this document are conducted with 3-A constant current as the load and 12 V at the input. Make sure that the external power-supply source for the input voltage is capable of providing enough current to the output load so that the output voltage can be obtained.

When all connections to the LM74700DDFEVM are verified, apply power to VIN. [Figure 2-2](#) captures EVM board setup.

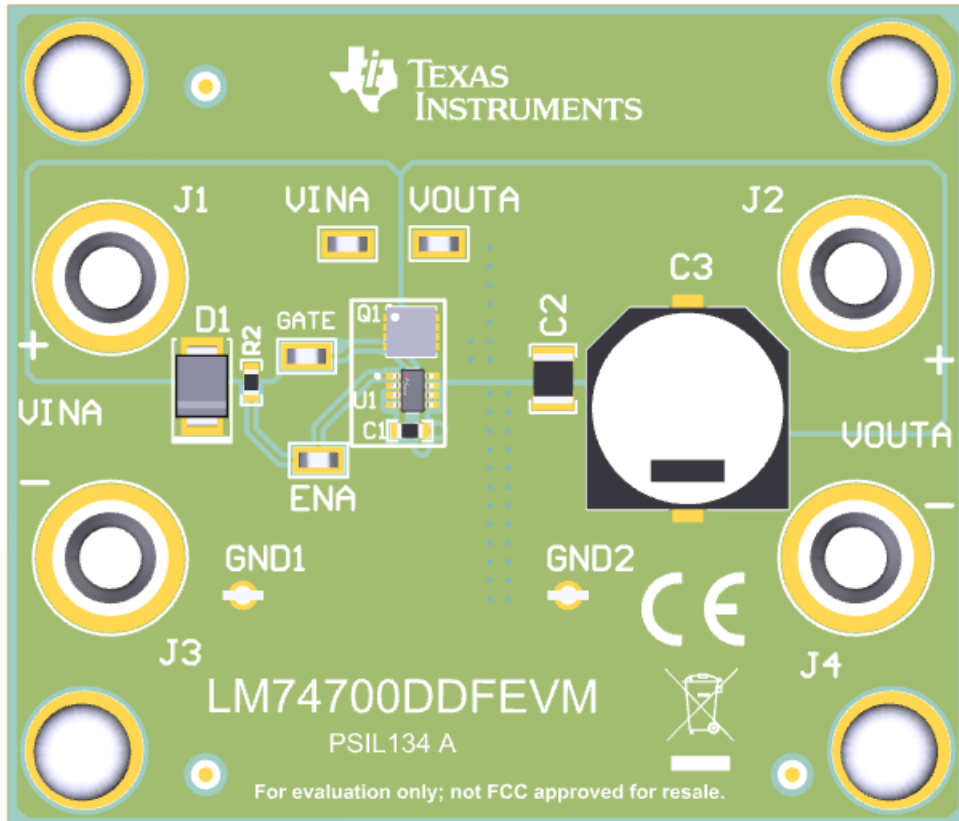


Figure 2-2. LM74700DDFEVM

2.3 Schematic

Figure 2-3 illustrates the EVM schematic.

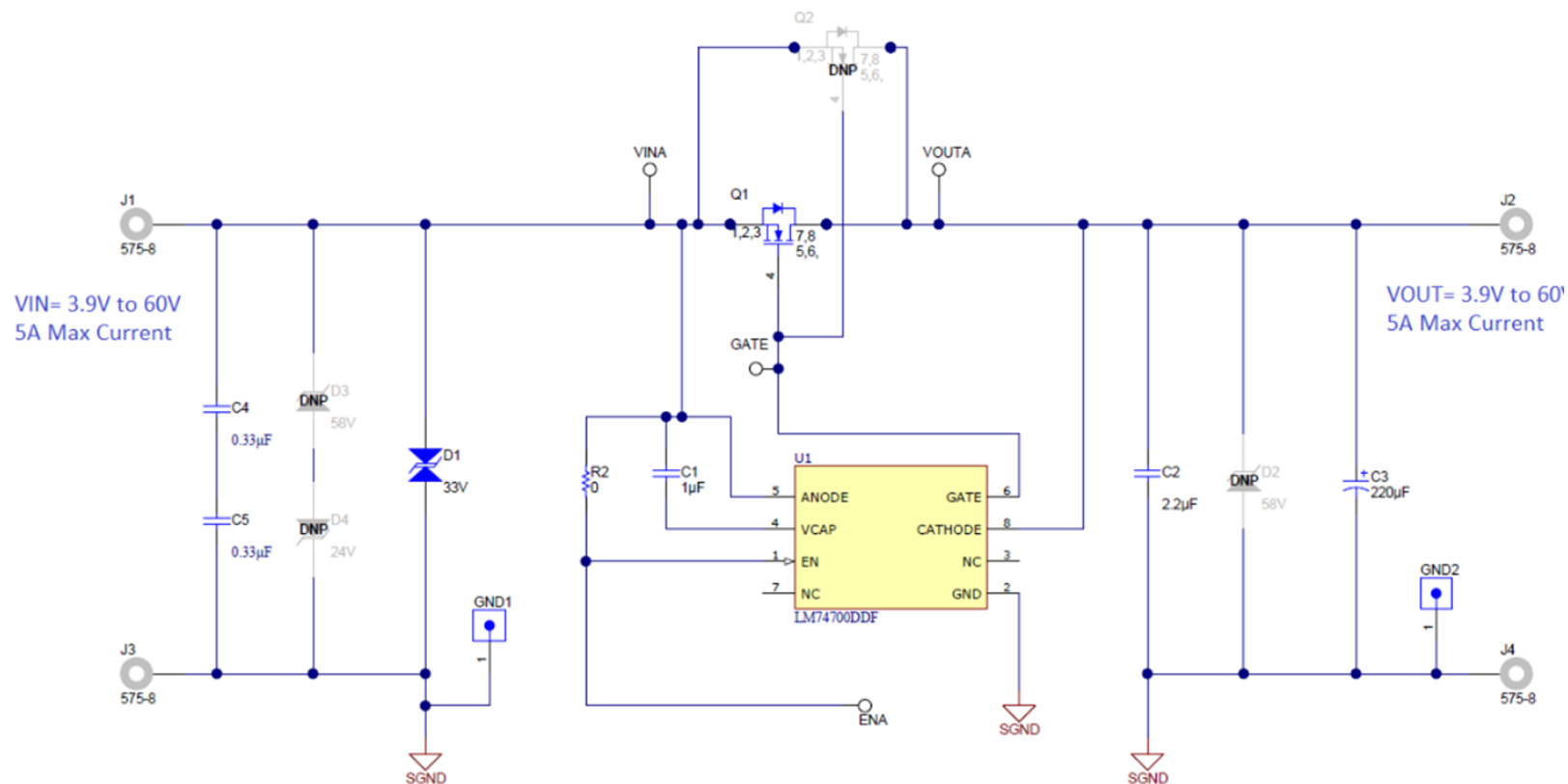


Figure 2-3. LM74700DDFEVM Schematic

3 Operation

3.1 Reverse Polarity Protection

A dynamic voltage pulse from 12 V to -12 V is applied at the input of the LM74700DDFEVM. Figure 3-1 shows the input voltage (CH1) drops down to -12 V and the output voltage (CH2) does not go negative. Therefore, the load is protected from dynamic reverse pulses at the input. The LM74700-Q1 reacts to the negative voltage within $2\ \mu\text{s}$ and it shuts down the MOSFET by pulling the gate (CH3) voltage down. The output slowly decays due to the large output capacitors and increased time constant.

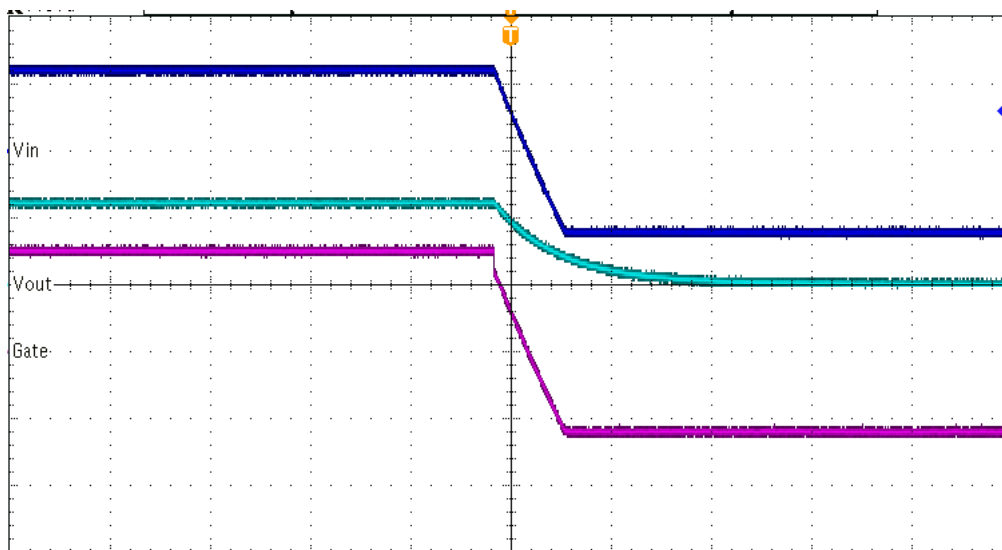


Figure 3-1. Reverse Polarity 12 V to -12 V

A -12 -V source is connected to the VIN input of the LM74700DDFEVM. Figure 3-2 shows that the output voltage remains at a constant 0 V in this situation. This test simulates the event of connecting a 12-V battery in the reverse direction; therefore, protecting the load from negative input voltages.

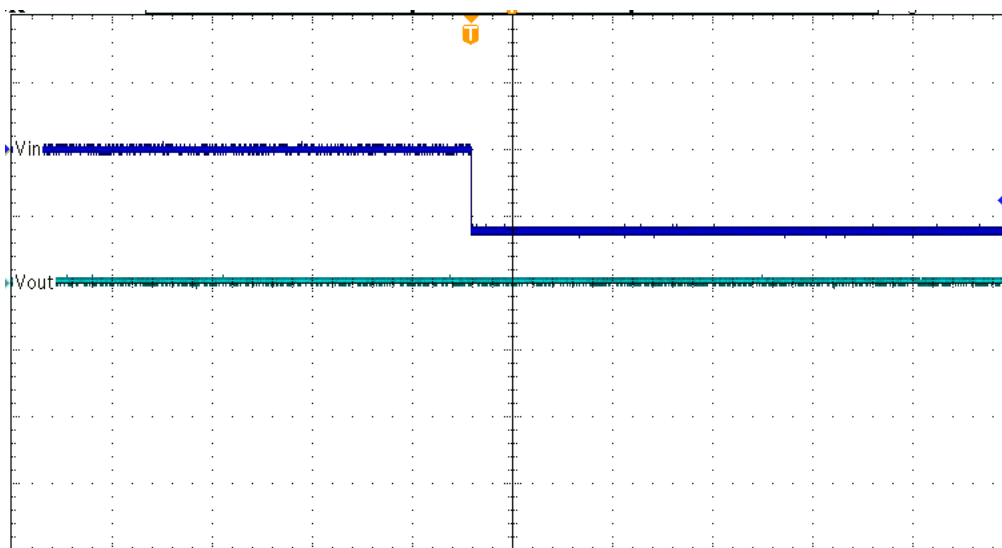


Figure 3-2. Startup Reverse Polarity (-12 V)

3.2 ORing Application

When using the LM74700-Q1 as an ORing device, if the input supplies operate at slightly different voltages, the voltage at the common load point will follow the higher voltage. The LM74700-Q1 prevents reverse current flow from the common load point to the lower voltage supply rail. This test uses two LM74700DDFEVMs with 15 V at the input of the first EVM and 12 V at the input of the second EVM and the output of both the EVMs are shorted. As [Figure 3-3](#) shows, the 15-V source at EVM1 is turned off for a period of time and the output (CH2) drops to 12-V source from EVM2. When the 15-V source is turned on again, the output rises to 15 V from EVM1. CH1 shows the input to EVM1, CH2 shows the output and CH3 shows input of EVM2.

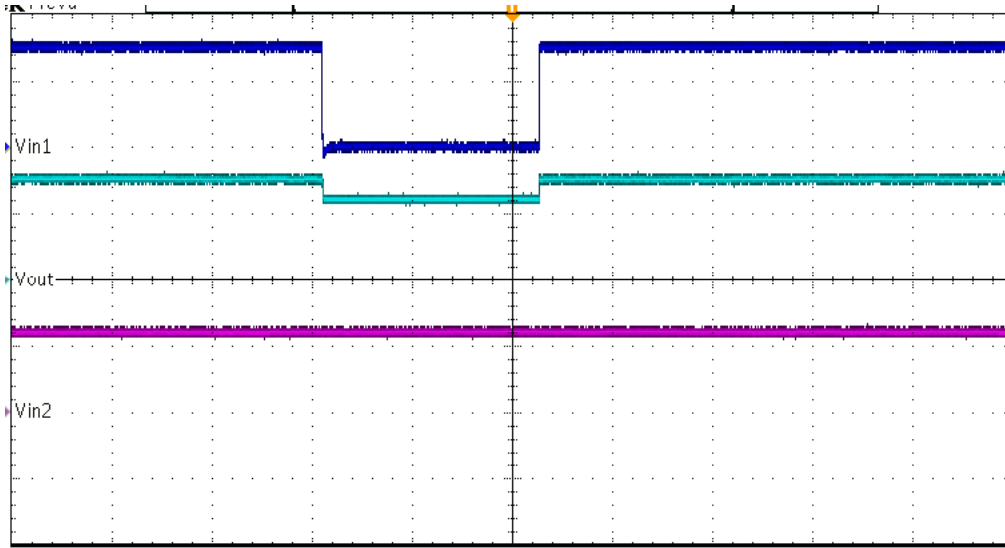


Figure 3-3. ORing Application – Higher Supply Switchover

Next, the 12-V source at EVM2 is turned off for a period of time and turned on again, the output (CH2) does not change. [Figure 3-4](#) captures this test.

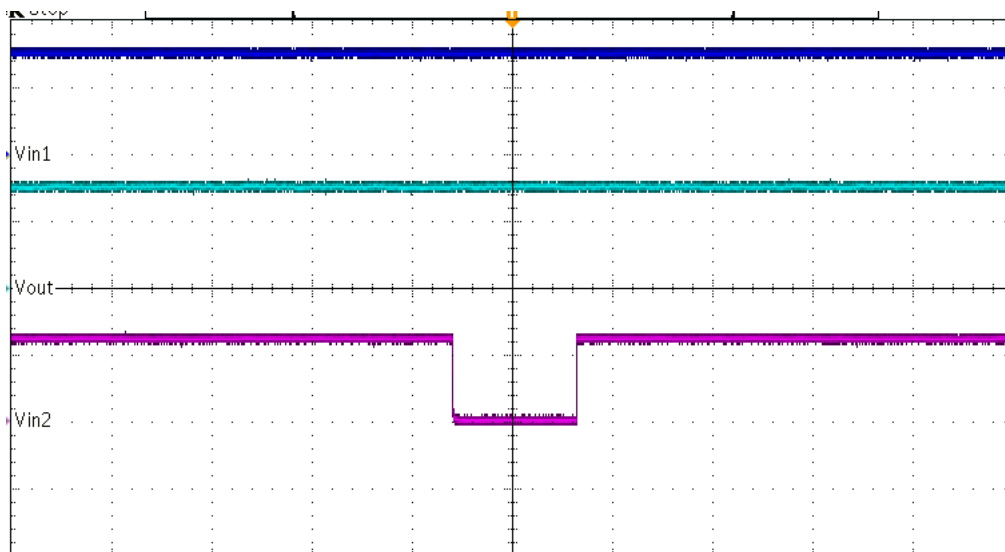


Figure 3-4. ORing Application 12-V – Lower Supply Test

4 EVM Board Assembly Drawings and Layout Guidelines

4.1 PCB Drawings

Figure 4-1 through Figure 4-4 show component placement and layout of this EVM.

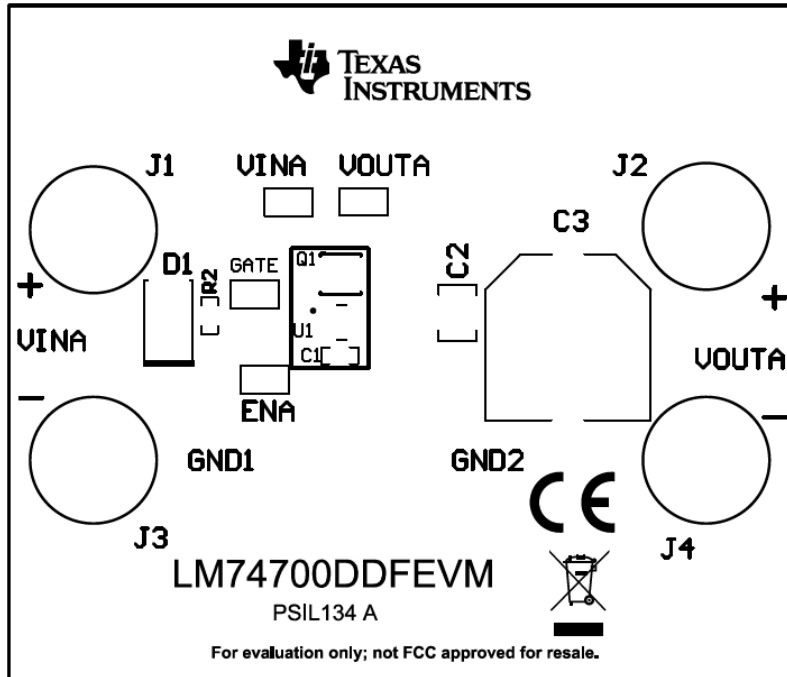


Figure 4-1. LM74700DDFEVM Top Side Placement

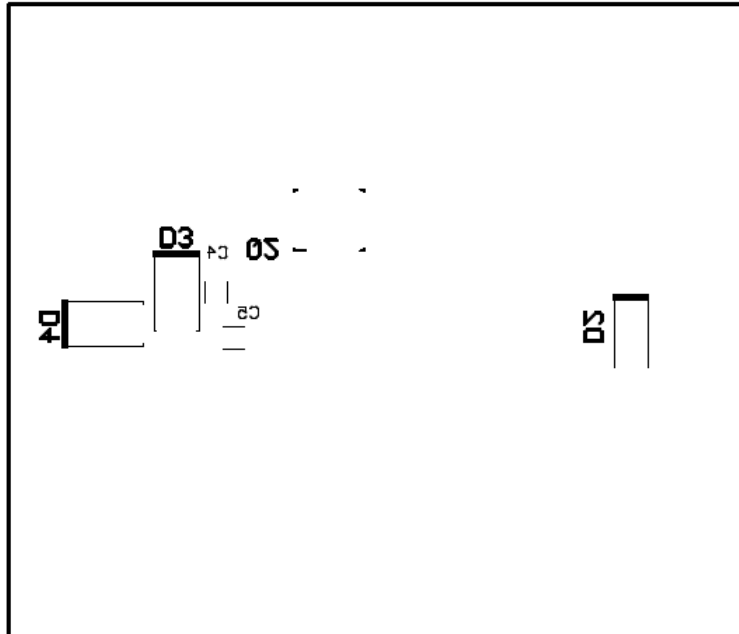


Figure 4-2. LM74700DDFEVM Bottom Side Placement

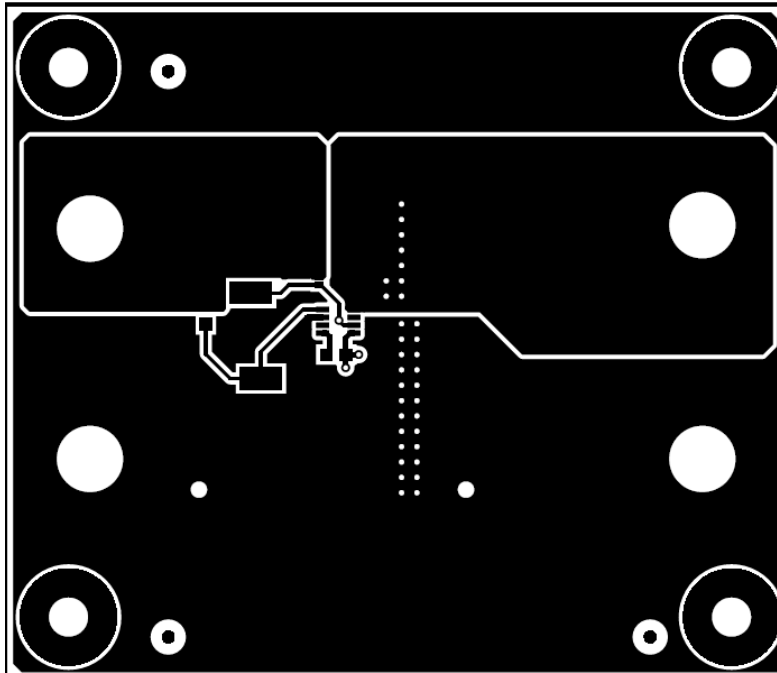


Figure 4-3. LM74700DDFEVM Top Layer Routing

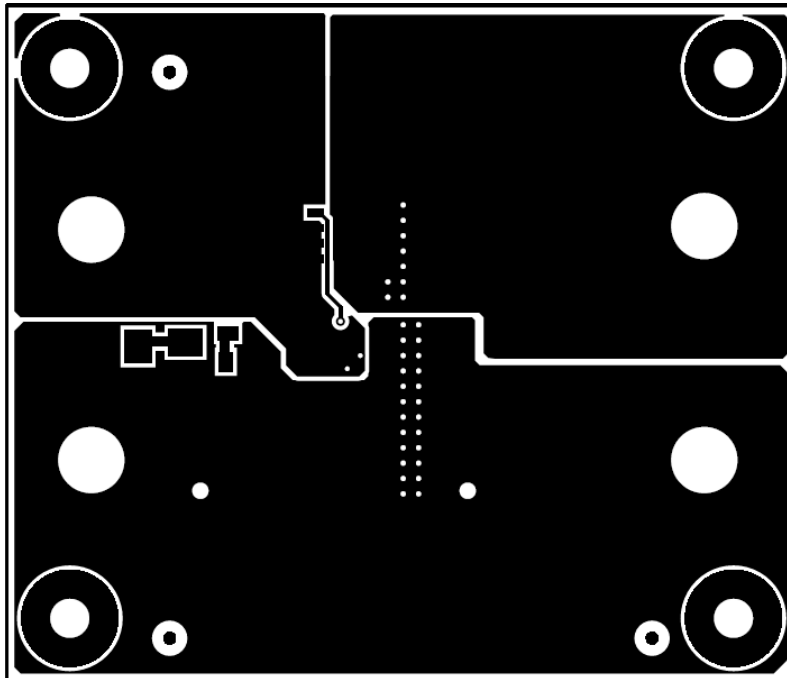


Figure 4-4. LM74700DDFEVM Bottom Layer Routing

4.2 Bill of Materials

Section 4.2 lists the LM74700DDFEVM BOM.

Table 4-1. Bill of Materials

Fitted	Description	Designator	Part Number	QTY	Manufacturer	Package Reference	Value
Fitted	CAP, CERM, 1 μ F, 25 V, +/- 10%, X7R, AEC-Q200 Grade 1, 0603	C1	CGA3E1X7R1E105K080AD	1	TDK	0603	1 μ F
Fitted	CAP, CERM, 2.2 μ F, 100 V, +/- 10%, X7R, 1210	C2	C1210C225K1RACTU	1	Kemet	1210	2.2 μ F
Fitted	CAP, AL, 220 μ F, 63 V, +/- 20%, 0.16 ohm, AEC-Q200 Grade 2, SMD	C3	EEV-FK1J221Q	1	Panasonic	SMT Radial H13	220 μ F
Fitted	CAP, CERM, 0.33 μ F, 50 V, +/- 10%, X8R, AEC-Q200 Grade 0, 1206	C4, C5	CGA5L2X8R1H334K160AA	2	TDK	1206	0.33 μ F
Fitted	Diode, TVS, Bi, 33 V, SMB	D1	SMBJ33CA-13-F	1	Diodes Inc.	SMB	33 V
Fitted	Test Point, Miniature, SMT	EN, GATE, VIN, VOUT	5015	4	Keystone	Testpoint_Keystone_Miniature	
Fitted	TEST POINT SLOTTED .118", TH	GND1, GND2	1040	2	Keystone	Test point, TH Slot Test point	
Fitted	Machine Screw, Round, #4-40 x 1/4, Nylon, Philips panhead	H1, H2, H3, H4	NY PMS 440 0025 PH	4	B&F Fastener Supply	Screw	
Fitted	Standoff, Hex, 0.5"L #4-40 Nylon	H5, H6, H7, H8	1902C	4	Keystone	Standoff	
Fitted	Standard Banana Jack, Uninsulated, 8.9mm	J1, J2, J3, J4	575-8	4	Keystone	Keystone575-8	
Fitted	MOSFET, N-CH, 60 V, 15 A, AEC-Q101, 8-PowerVDFN	Q1	DMT6007LFG-13	1	Diodes Inc.	8-PowerVDFN	60 V
Fitted	RES, 0, 5%, 0.1 W, AEC-Q200 Grade 0, 0603	R1	CRCW06030000Z0EA	1	Vishay-Dale	0603	0
Fitted	IC, Ideal Diodoe	U1	LM74700QDDFRQ1	1	Texas Instruments	SOT23-8	
Not Fitted	Diode, TVS, Uni, 58 V, SMA	D2	SMAJ58A	0	Diodes Inc.	SMA	58 V
Not Fitted	Diode, TVS, Uni, 58 V, 93.6 Vc, SMB	D3	SMBJ58A-13-F	0	Diodes Inc.	SMB	58 V
Not Fitted	Diode, TVS, Uni, 24 V, 38.9 Vc, SMB	D4	SMBJ24A-13-F	0	Diodes Inc.	SMB	24 V
Not Fitted	Fiducial mark. There is nothing to buy or mount.	FID1, FID2, FID3, FID4, FID5, FID6	N/A	0	N/A	N/A	
Not Fitted	MOSFET, N-CH, 60 V, 17.9 A, AEC-Q101, 8-PowerTDFN	Q2	DMT6005LPS-13	0	Diodes Inc.	8-PowerTDFN	60 V

IMPORTANT NOTICE AND DISCLAIMER

TI PROVIDES TECHNICAL AND RELIABILITY DATA (INCLUDING DATA SHEETS), DESIGN RESOURCES (INCLUDING REFERENCE DESIGNS), APPLICATION OR OTHER DESIGN ADVICE, WEB TOOLS, SAFETY INFORMATION, AND OTHER RESOURCES "AS IS" AND WITH ALL FAULTS, AND DISCLAIMS ALL WARRANTIES, EXPRESS AND IMPLIED, INCLUDING WITHOUT LIMITATION ANY IMPLIED WARRANTIES OF MERCHANTABILITY, FITNESS FOR A PARTICULAR PURPOSE OR NON-INFRINGEMENT OF THIRD PARTY INTELLECTUAL PROPERTY RIGHTS.

These resources are intended for skilled developers designing with TI products. You are solely responsible for (1) selecting the appropriate TI products for your application, (2) designing, validating and testing your application, and (3) ensuring your application meets applicable standards, and any other safety, security, regulatory or other requirements.

These resources are subject to change without notice. TI grants you permission to use these resources only for development of an application that uses the TI products described in the resource. Other reproduction and display of these resources is prohibited. No license is granted to any other TI intellectual property right or to any third party intellectual property right. TI disclaims responsibility for, and you will fully indemnify TI and its representatives against, any claims, damages, costs, losses, and liabilities arising out of your use of these resources.

TI's products are provided subject to [TI's Terms of Sale](#) or other applicable terms available either on ti.com or provided in conjunction with such TI products. TI's provision of these resources does not expand or otherwise alter TI's applicable warranties or warranty disclaimers for TI products.

TI objects to and rejects any additional or different terms you may have proposed.

Mailing Address: Texas Instruments, Post Office Box 655303, Dallas, Texas 75265
Copyright © 2022, Texas Instruments Incorporated