

LMR36503RFEVM User's Guide

The Texas Instruments LMR36503RFEVM evaluation module help designers evaluate the operation and performance of the LMR36503 wide-input buck converters. The LMR36503 is an easy-to-use synchronous step-down DC/DC converter capable of driving up to 0.3 A of load current from an input voltage of up to 65 V. The LMR36503RFEVM features an output voltage of 3.3 V or 5 V and a switching frequency of 1 MHz. See the [LMR36503 3-V–65-V, 0.3-A Ultra-Small Synchronous Buck Converter with Ultra-Low \$I_Q\$](#) data sheet for additional features, detailed descriptions, and available options.

Table 1. Device and Package Configurations

EVM	U1	FREQUENCY	SPREAD SPECTRUM	CURRENT	PIN 1 TRIM
LMR36503RFEVM	LMR36503RFRPE	1000 kHz	Disabled	0.3 A	RT with FPWM

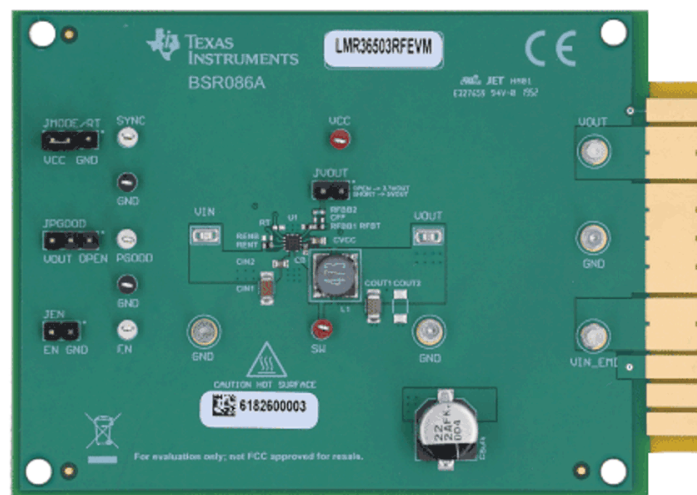


Figure 1. LMR36503RFEVM Board

Contents

1	Setup	3
2	Operation	5
3	Schematic.....	6
4	Board Layout	7
5	Bill of Materials	9

List of Figures

1	LMR36503RFEVM Board.....	1
2	EVM Board Connections.....	3
3	Jumper Locations	4
4	LMR36503RFEVM Schematic	6
5	Top View of EVM	7
6	EVM Top Copper Layer.....	7
7	EVM Mid Layer One.....	7
8	EVM Mid Layer Two.....	8
9	EVM Bottom Copper Layer	8

List of Tables

1	Device and Package Configurations	1
2	Bill Of Materials	9

Trademarks

All trademarks are the property of their respective owners.

1 Setup

This section describes the test points and connectors on the EVM and how to properly connect, set up, and use the LMR36503RFEVM.

1.1 Test Points

The test points on the top of the board can be used for connecting to the input and output of the EVM. See Figure 2 for typical test setup. The functions of the test points connections are:

- **VIN_EMI** — Input supply to EVM including an EMI filter. Connect to a suitable input supply. Connect at this point for conducted EMI test.
- **GND** — Ground connection for the input supply as well as test points for ground connection
- **VIN** — Input supply to the IC. Can be connected to DMM to measure input voltage after EMI filter
- **VOUT** — Output voltage test point of EVM. Can be connected to a desired load
- **EN** — This test point is connected to the EN pin. By default, there is a pullup resistor R2 (RENT) to VIN to enable the IC.
- **PGOOD** — This test point is connected to the PGOOD pin from the IC. It is an open-drain output of the PGOOD pin. Can be tied to external supply through a pullup resistor or left open
- **SYNC** — In a **MODE/SYNC** trim part, this test point is connected to the SYNC pin of the IC. Can be connected to an external clock to synchronize the IC. Make sure R4 (RMODE) is installed and R5 (RT) is not installed. In a **RT** trim part, this test point is connected to the RT pin of the IC when the R4 (RMODE) is installed.
- **VCC** — This test point is connected to the VCC pin.
- **SW** — This test point is connected to the switch node.

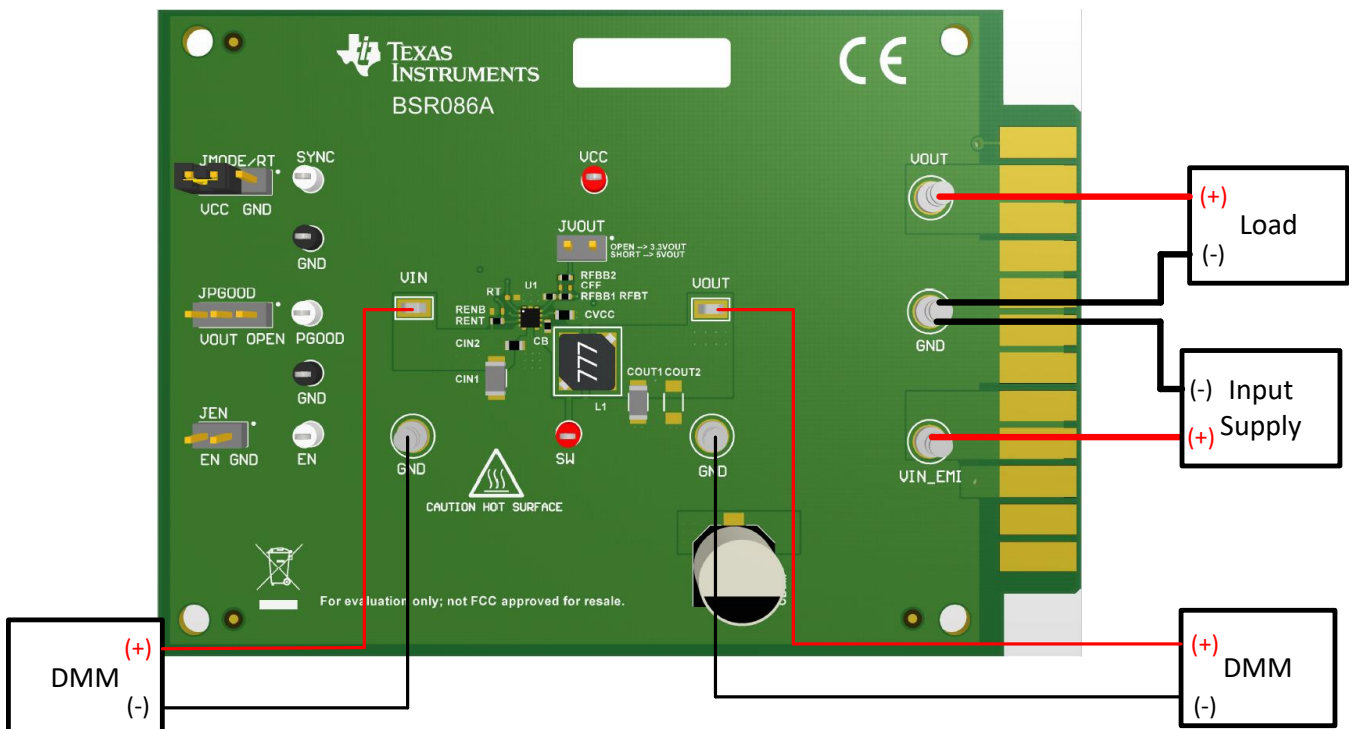


Figure 2. EVM Board Connections

1.2 Jumpers

See [Figure 3](#) for jumper locations.

- **JEN** - This jumper allows the ENABLE input to be connected to GND in order to disable the IC. By default, this jumper is left open since there is a pullup resistor R2 (RENT) to VIN to enable the IC.
- **JPGOOD** - Use this jumper to select how the PGOOD pin can be connected. A jumper can be used to connect pin 2 and 3. In this configuration, the PGOOD pin will be pulled up to VOUT through R9 (RPGOOD) with a value of 100 kΩ. By default, this jumper is left open.
- **JMODE/RT** - Use this jumper to select the mode of operation in a **MODE/SYNC** trim part. Connecting a jumper between pin 1 and 2 cause the IC to operate in PFM (Pulse Frequency Modulation) mode for a higher efficiency at light load. A jumper between pin 2 and pin 3 causes the IC to operate in FPWM mode (Forced Pulse Width Modulation) mode. By default, the jumper is connected between pin 1 and 2.
 In an **RT** trim part, connecting this jumper from pin 1 and 2 sets the switching frequency to 2.2 MHz and connecting this jumper from pin 2 and 3 sets the switching frequency to 1 MHz. See the [LMR36503 3-V–65-V, 0.3-A Ultra-Small Synchronous Buck Converter with Ultra-Low I_Q](#) data sheet for more information on switching frequency configuration.
- **JVOUT** This jumper can be used to select the output voltage on the EVM. Leaving the jumper open sets the EVM output voltage to 3.3 V whereas adding a jumper sets the output voltage on the EVM to be 5 V.

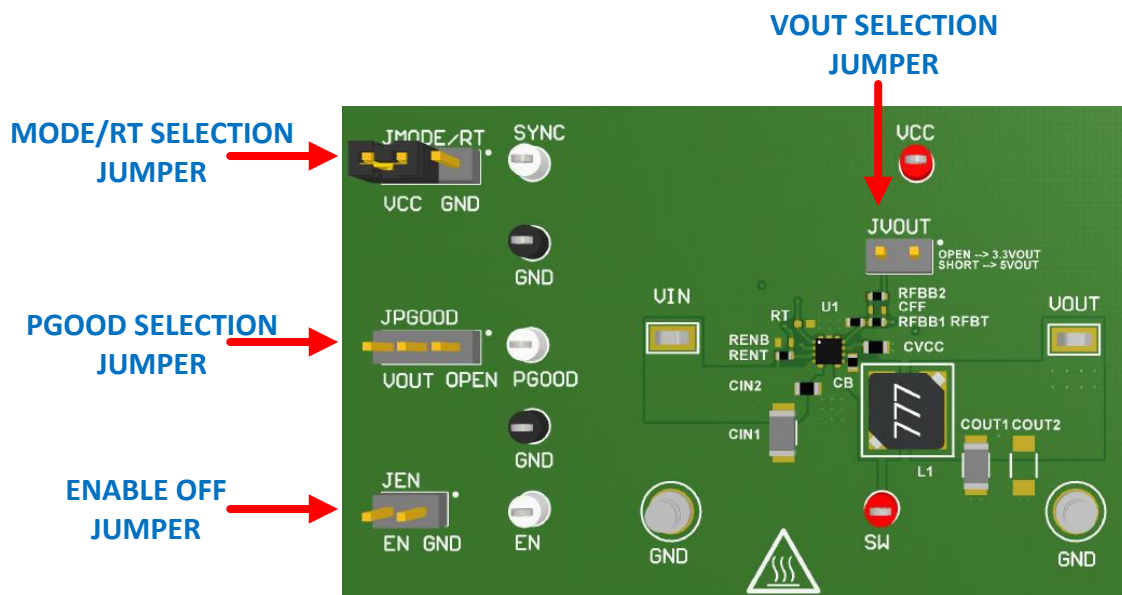


Figure 3. Jumper Locations

2 Operation

2.1 Quick Start

1. Connect the voltage supply between the VIN_EMI and GND test points.
2. Connect the load between the VOUT and GND test points.
3. Set the supply voltage at an appropriate level between 5.5 V to 65 V. Set the current limit of the supply to an appropriate level.
4. Turn on the power supply. With the default configuration, the EVM powers up and provides $V_{OUT} = 3.3$ V.
5. Monitor the output voltage. The maximum load current must be 0.3 A with the LMR36503 device.

3 Schematic

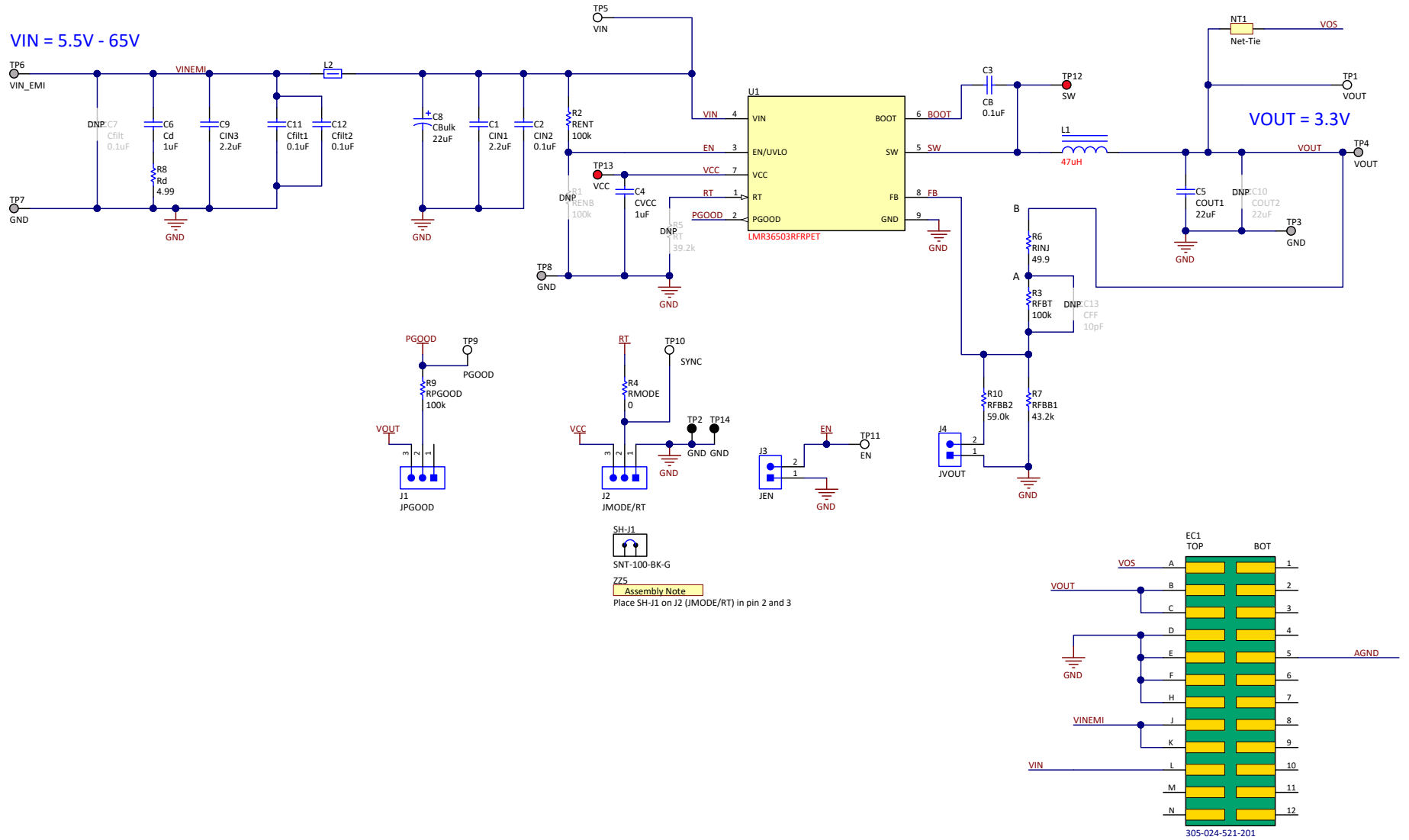


Figure 4. LMR36503RFEVM Schematic

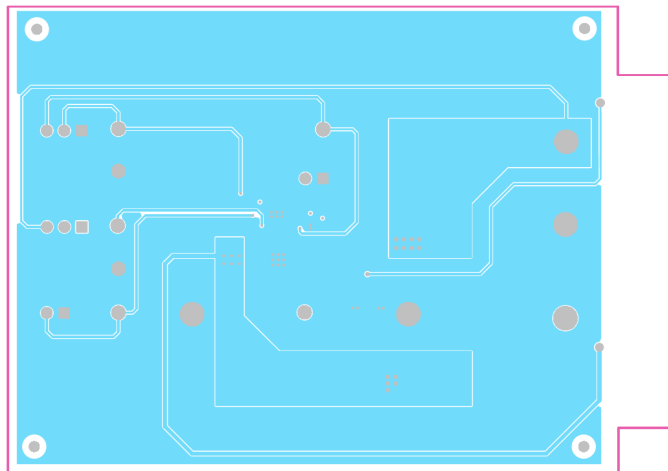


Figure 8. EVM Mid Layer Two

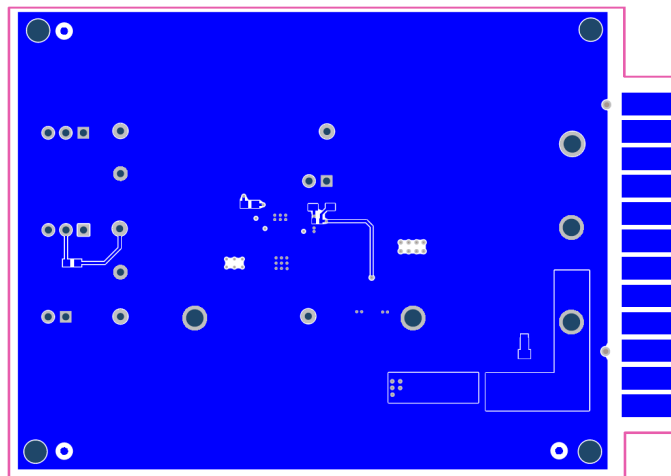


Figure 9. EVM Bottom Copper Layer

5 Bill of Materials

Table 2. Bill Of Materials

DESIGNATOR	COMMENT	DESCRIPTION	MANUFACTURER	PART NUMBER	QUANTITY
C1, C9	CIN1, CIN3	CAP, CERM, 2.2 μ F, 100 V, \pm 10%, X7S, AEC-Q200 Grade 1, 1206	TDK	CGA5L3X7S2A225K160AB	2
C2	CIN2	CAP, CERM, 0.1 μ F, 100 V, \pm 10%, X7R, 0603	MuRata	GRM188R72A104KA35D	1
C3	CB	CAP, CERM, 0.1 μ F, 16 V, \pm 10%, X7R, 0402	MuRata	GCM155R71C104KA55D	1
C4	CVCC	CAP, CERM, 1 μ F, 16 V, \pm 10%, X7R, 0603	Wurth Elektronik	885012206052	1
C5	COUT1	CAP, CERM, 22 μ F, 10 V, \pm 10%, X7R, AEC-Q200 Grade 1, 1206	MuRata	GCM31CR71A226KE02	1
C6	Cd	CAP, CERM, 1 μ F, 100 V, \pm 10%, X7R, 1206	TDK	C3216X7R2A105K160AA	1
C7	Cfilt	CAP, CERM, 0.1 μ F, 100 V, \pm 10%, X7R, AEC-Q200 Grade 1, 0805	TDK	CGA4J2X7R2A104K125AA	0
C8	CBulk	CAP, AL, 22 μ F, 100 V, \pm 20%, 1.3 Ω , AEC-Q200 Grade 2, SMD	Panasonic	EEE-FK2A220P	1
C10	COUT2	CAP, CERM, 22 μ F, 10 V, \pm 10%, X7R, AEC-Q200 Grade 1, 1206	MuRata	GCM31CR71A226KE02	0
C11, C12	Cfilt1, Cfilt2	CAP, CERM, 0.1 μ F, 100 V, \pm 10%, X7R, AEC-Q200 Grade 1, 0805	TDK	CGA4J2X7R2A104K125AA	2
C13	CFF	CAP, CERM, 10 pF, 50 V, \pm 5%, C0G/NP0, AEC-Q200 Grade 1, 0402	TDK	CGA2B2C0G1H100D050BA	0
FID1, FID2, FID3, FID4, FID5, FID6	Fiducial	Fiducial mark. There is nothing to buy or mount.	N/A	N/A	0
J1, J2	JPGOOD, JMODE/RT	Header, 100 mil, 3x1, Gold, TH	Samtec	HTSW-103-07-G-S	2
J3, J4	JEN, JVOUT	Header, 100 mil, 2x1, Gold, TH	Samtec	HTSW-102-07-G-S	2
L1	MSS6132-473MLB	Inductor, Shielded Drum Core, Ferrite, 47 μ H, 0.93 A, 0.38 Ω , SMD	Coilcraft	MSS6132-473MLB	1
L2	FBMH3225HM601NT	Ferrite Bead, 600 Ω at 100 MHz, 3 A, 1210	Taiyo Yuden	FBMH3225HM601NT	1
LBL1	THT-14-423-10	Thermal Transfer Printable Labels, 0.650" W x 0.200" H - 10 000 per roll	Brady	THT-14-423-10	1
R1	RENB	RES, 100 k, 1%, 0.063 W, AEC-Q200 Grade 0, 0402	Vishay-Dale	CRCW0402100KFKE02	0
R2, R3	RENT, RFBT	RES, 100 k, 1%, 0.063 W, AEC-Q200 Grade 0, 0402	Vishay-Dale	CRCW0402100KFKE02	2
R4	RMODE	RES, 0, 5%, 0.1 W, AEC-Q200 Grade 0, 0603	Vishay-Dale	CRCW06030000Z0EA	1
R5	RT	RES, 39.2 k, 1%, 0.063 W, AEC-Q200 Grade 0, 0402	Vishay-Dale	CRCW040239K2FKED	0
R6	RINJ	RES, 49.9, 1%, 0.063 W, AEC-Q200 Grade 0, 0402	Vishay-Dale	CRCW040249R9FKED	1
R7	RFBB1	RES, 43.2 k, 1%, 0.063 W, AEC-Q200 Grade 0, 0402	Vishay-Dale	CRCW040243K2FKED	1
R8	Rd	RES, 4.99, 1%, 0.1 W, AEC-Q200 Grade 0, 0603	Vishay-Dale	CRCW06034R99FKEA	1
R9	RPGOOD	RES, 100 k, 1%, 0.1 W, AEC-Q200 Grade 0, 0603	Vishay-Dale	CRCW0603100KFKEA	1
R10	RFBB2	RES, 59.0 k, 1%, 0.063 W, AEC-Q200 Grade 0, 0402	Vishay-Dale	CRCW040259K0FKED	1
SH-J1	SNT-100-BK-G	Shunt, 100mil, Gold plated, Black	Samtec	SNT-100-BK-G	1
TP1, TP5	VOUT, VIN	Test Point, Miniature, SMT	Keystone	5015	2
TP2, TP14	GND	Test Point, Miniature, Black, TH	Keystone	5001	2
TP3, TP4, TP6, TP7, TP8	GND, VOUT, VIN_EMI, GND, GND	Terminal, Turret, TH, Double	Keystone	1502-2	5
TP9, TP10, TP11	PGOOD, SYNC, EN	Test Point, Miniature, White, TH	Keystone	5002	3
TP12, TP13	SW, VCC	Test Point, Miniature, Red, TH	Keystone	5000	2
U1	LMR36503RFRPET	LMR36503 Wide Input 65-V Synchronous, DC-DC Buck Converter, RPE009A (VQFN-9)	Texas Instruments	LMR36503RFRPET	1

IMPORTANT NOTICE AND DISCLAIMER

TI PROVIDES TECHNICAL AND RELIABILITY DATA (INCLUDING DATA SHEETS), DESIGN RESOURCES (INCLUDING REFERENCE DESIGNS), APPLICATION OR OTHER DESIGN ADVICE, WEB TOOLS, SAFETY INFORMATION, AND OTHER RESOURCES "AS IS" AND WITH ALL FAULTS, AND DISCLAIMS ALL WARRANTIES, EXPRESS AND IMPLIED, INCLUDING WITHOUT LIMITATION ANY IMPLIED WARRANTIES OF MERCHANTABILITY, FITNESS FOR A PARTICULAR PURPOSE OR NON-INFRINGEMENT OF THIRD PARTY INTELLECTUAL PROPERTY RIGHTS.

These resources are intended for skilled developers designing with TI products. You are solely responsible for (1) selecting the appropriate TI products for your application, (2) designing, validating and testing your application, and (3) ensuring your application meets applicable standards, and any other safety, security, regulatory or other requirements.

These resources are subject to change without notice. TI grants you permission to use these resources only for development of an application that uses the TI products described in the resource. Other reproduction and display of these resources is prohibited. No license is granted to any other TI intellectual property right or to any third party intellectual property right. TI disclaims responsibility for, and you will fully indemnify TI and its representatives against, any claims, damages, costs, losses, and liabilities arising out of your use of these resources.

TI's products are provided subject to [TI's Terms of Sale](#) or other applicable terms available either on [ti.com](#) or provided in conjunction with such TI products. TI's provision of these resources does not expand or otherwise alter TI's applicable warranties or warranty disclaimers for TI products.

TI objects to and rejects any additional or different terms you may have proposed.

Mailing Address: Texas Instruments, Post Office Box 655303, Dallas, Texas 75265
Copyright © 2022, Texas Instruments Incorporated