

How to Reduce Jitter and Improve Signal Integrity in Source and Sink System Designs Supporting HDMI 2.0



Richard Hubbard

As graphic processing units (GPUs) and other system-on-chip (SoC) devices migrate to lower-geometry complementary metal-oxide semiconductor (CMOS) processes, the distance between these SoC devices and high-definition multimedia interface (HDMI®) connectors has made it difficult to pass HDMI compliance. The increase in data rate from 3.4 Gbps to 6 Gbps for HDMI 2.0 applications has also added additional complexity.

Signal conditioners like [redrivers](#) and [retimers](#) implement several features to improve signal integrity. They can support adaptive (retimer) or fixed (redriver) equalization to clean up intersymbol-interference jitter or loss from bandwidth-limited board traces to cables. Retimers use clock data-recovery circuits (CDRs) to clean up random, phase and sinusoidal jitter. High-performance retimers have wide-band CDR tracking and narrowband jitter cleaning, as well as the capability to work with a wide frequency range. They enable signal recreation without expensive external components and you can forward the recovered clock to the sink. The transmitter provides several features to help designers pass compliance and reduce system-level design issues like de-emphasis, which compensates for the attenuation when driving long cables or high-loss board traces.

Both the HDMI source and sink sides can use retimers and redrivers to clean up the signal. An example of an HDMI source is a PC graphic card. [Figure 1](#) illustrates how the GPU outputs the HDMI signal far away from the HDMI connector, which is the source compliance point. In many cases, the distance is 11 plus inches of printed circuit board trace, which can add a significant amount of ISI jitter causing the system to fail the voltage swing. This loss can be as much as 12dB and 6 Gbps depending upon the care taken designing the board. If there is random noise or other types of deterministic jitter a retimer may be needed to pass compliance.

The sink-side example is a high-definition television (HDTV), where you can place a retimer or redriver after the HDMI connector and before the signal receiver for display processing.

[Figure 1](#) shows several source- and sink-side system-level block diagrams for circuits that need retimers.

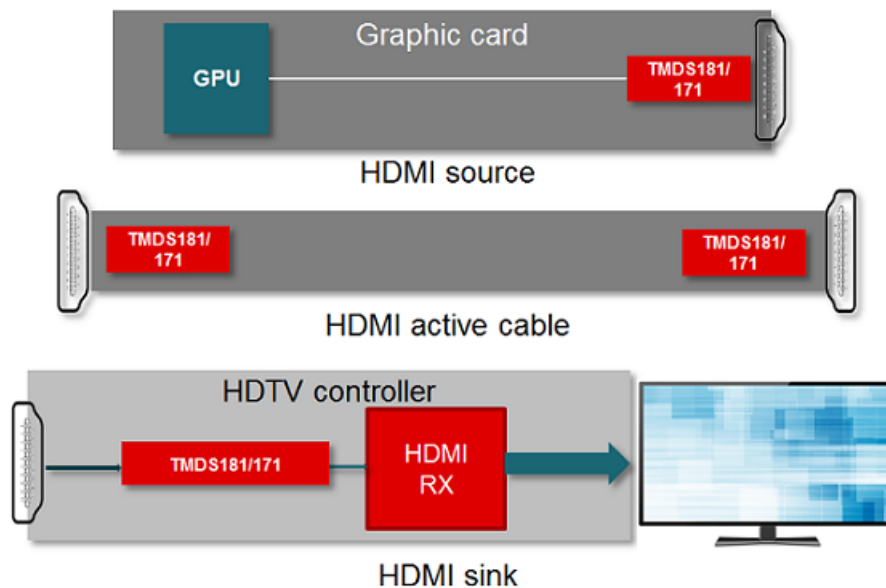


Figure 1. Applications in HDMI Video Source, HDMI Active Cable and HDMI Sink

The middle application is an active cable where the loss between the two end points could be enough to fail compliance. The bottom application is a sink application where the system does not know what cable will be used between the source and sink. For this application a retimer with an adaptive receive equalizer is the ideal solution.

Audio video recorders (AVRs) and Blu-ray DVD players, as shown in Figure 2, are examples of applications where the equipment is in the middle of the sink and source infrastructure. In this instance, it has to compensate for the same losses that the source and sink applications in Figure 1 have and thus a retimer or redriver may be needed at both the receive and transmit sides. The DVD is misleading as most would consider it a source but other sources can be driven into the DVD player as well.

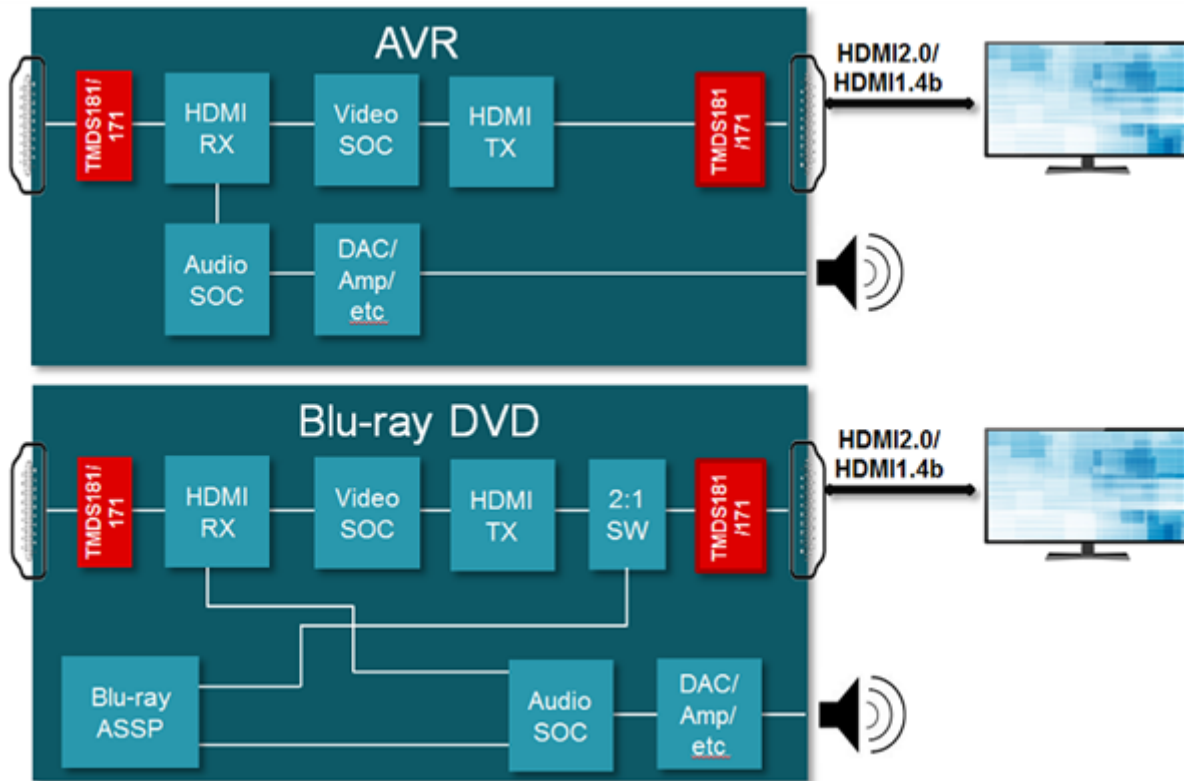


Figure 2. Retimers and Redrivers Used in AVR and DVD Systems

You can use the SN65DP159 and SN65DP149, and TMD5181/171 retimers together in an end-to-end system to strengthen signal integrity, with the SN65DP159 and SN65DP149 retimers on the source side and the TMD5181/171 retimer on the sink side of both ends of HDMI cable, as illustrated in Figure 3.

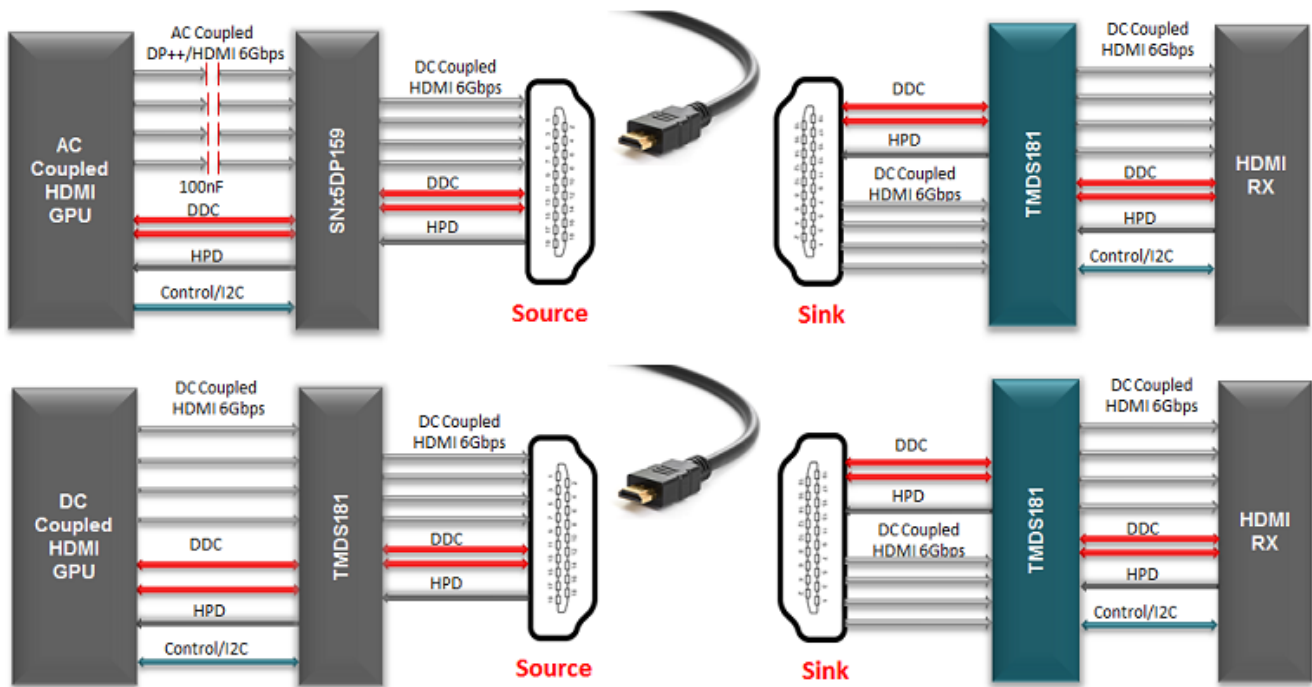


Figure 3. Using the DP159/149 and TMDs181/171 Together in an End-to-end System

As can be seen from the above applications there are many ways to fail compliance and negatively impact the end users experience. As the market continues to evolve and audio visual bandwidth requirements increase, retimers and redrivers become key components in the system designer's tool box.

What challenges do you experience in source and sink system design? Log in to post a comment.

Additional Resources

- View the data sheet for [TMDs181](#), [TMDs171](#), [DP159](#) and [DP149](#) devices.
- Check out this Analog Wire post on “[HDMI 2.0: How to generate cleaner signals over long traces, connectors and cables.](#)”
- Read the white paper, “[Build a true fidelity system using video signal conditioners.](#)”

IMPORTANT NOTICE AND DISCLAIMER

TI PROVIDES TECHNICAL AND RELIABILITY DATA (INCLUDING DATA SHEETS), DESIGN RESOURCES (INCLUDING REFERENCE DESIGNS), APPLICATION OR OTHER DESIGN ADVICE, WEB TOOLS, SAFETY INFORMATION, AND OTHER RESOURCES "AS IS" AND WITH ALL FAULTS, AND DISCLAIMS ALL WARRANTIES, EXPRESS AND IMPLIED, INCLUDING WITHOUT LIMITATION ANY IMPLIED WARRANTIES OF MERCHANTABILITY, FITNESS FOR A PARTICULAR PURPOSE OR NON-INFRINGEMENT OF THIRD PARTY INTELLECTUAL PROPERTY RIGHTS.

These resources are intended for skilled developers designing with TI products. You are solely responsible for (1) selecting the appropriate TI products for your application, (2) designing, validating and testing your application, and (3) ensuring your application meets applicable standards, and any other safety, security, regulatory or other requirements.

These resources are subject to change without notice. TI grants you permission to use these resources only for development of an application that uses the TI products described in the resource. Other reproduction and display of these resources is prohibited. No license is granted to any other TI intellectual property right or to any third party intellectual property right. TI disclaims responsibility for, and you will fully indemnify TI and its representatives against, any claims, damages, costs, losses, and liabilities arising out of your use of these resources.

TI's products are provided subject to [TI's Terms of Sale](#) or other applicable terms available either on [ti.com](https://www.ti.com) or provided in conjunction with such TI products. TI's provision of these resources does not expand or otherwise alter TI's applicable warranties or warranty disclaimers for TI products.

TI objects to and rejects any additional or different terms you may have proposed.

Mailing Address: Texas Instruments, Post Office Box 655303, Dallas, Texas 75265
Copyright © 2023, Texas Instruments Incorporated