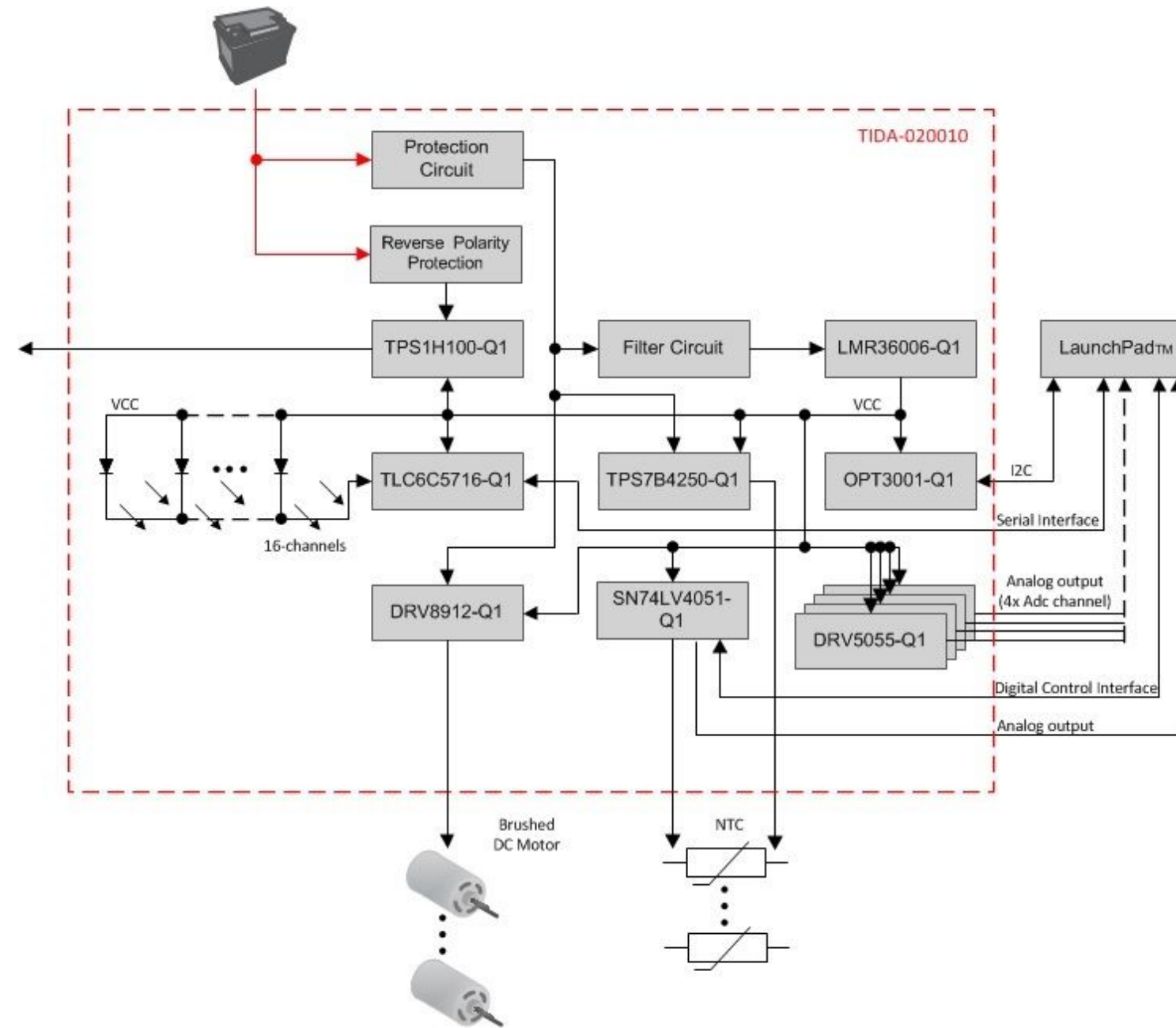


Revision History

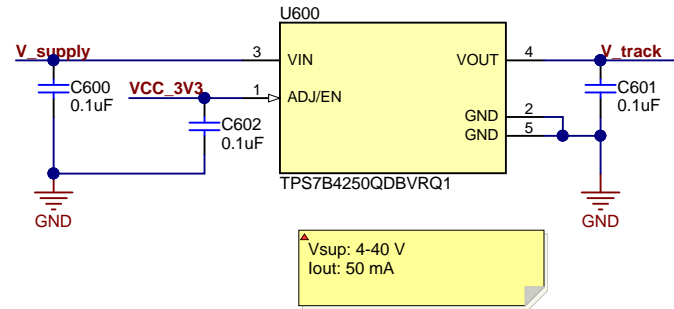
| Rev | ECN # | Approved Date | Approved by | Notes |
|-----|-------|---------------|-------------|-------|
| N/A | N/A | N/A | N/A | N/A |



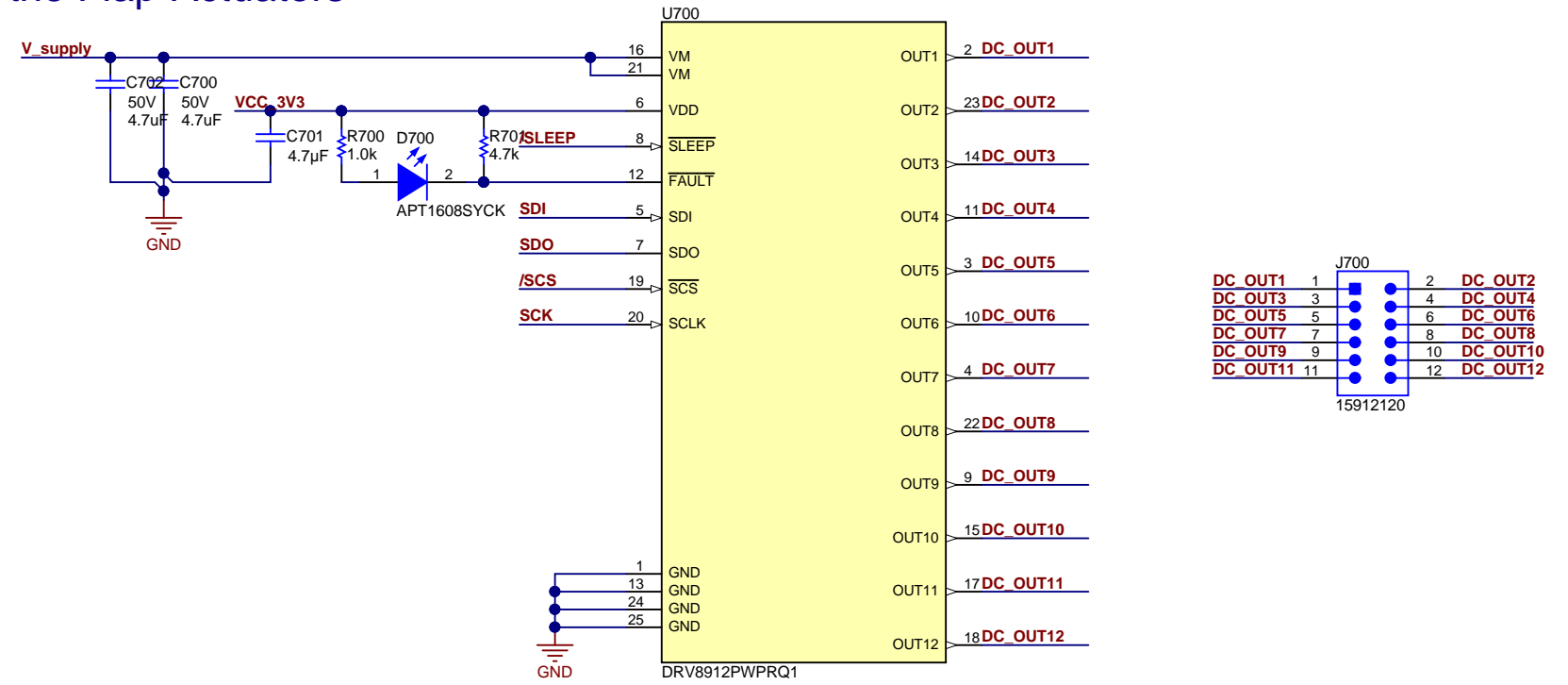
Texas Instruments and/or its licensors do not warrant the accuracy or completeness of this specification or any information contained therein. Texas Instruments and/or its licensors do not warrant that this design will meet the specifications, will be suitable for your application or fit for any particular purpose, or will operate in an implementation. Texas Instruments and/or its licensors do not warrant that the design is production worthy. You should completely validate and test your design implementation to confirm the system functionality for your application.

| | | | |
|---|--|----------------------|---|
| Orderable: ChangeMe! | Designed for: Public Release | Mod. Date: 12/4/2018 | http://www.ti.com © Texas Instruments 2018 |
| TID #: 020010 | Project Title: Automotive HVAC Control with HMI Reference Desi | | |
| Number: TIDA-020010 | Rev: E1 | Sheet Title: | |
| SVN Rev: Version control disabled | Assembly Variant: 001 | Sheet: 1 of 3 | |
| Drawn By: Levan Bidzishvili | File: HVA_HMI_CoverSheet.SchDoc | Size: B | |
| Engineer: Levan Bidzishvili | Contact: http://www.ti.com/support | | |

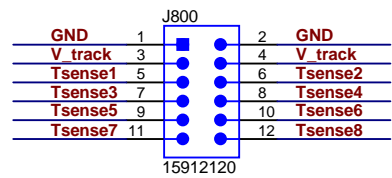
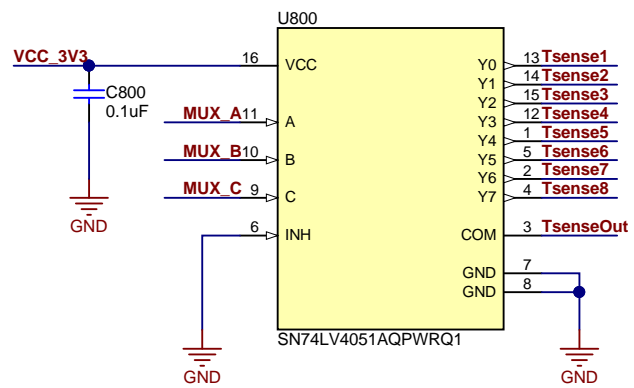
6. Power Supply for the Off-board Sensors



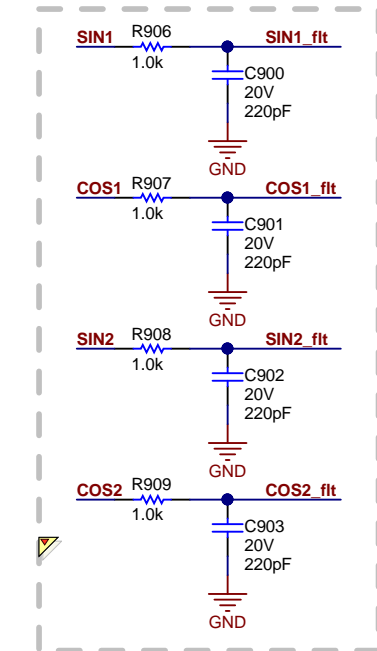
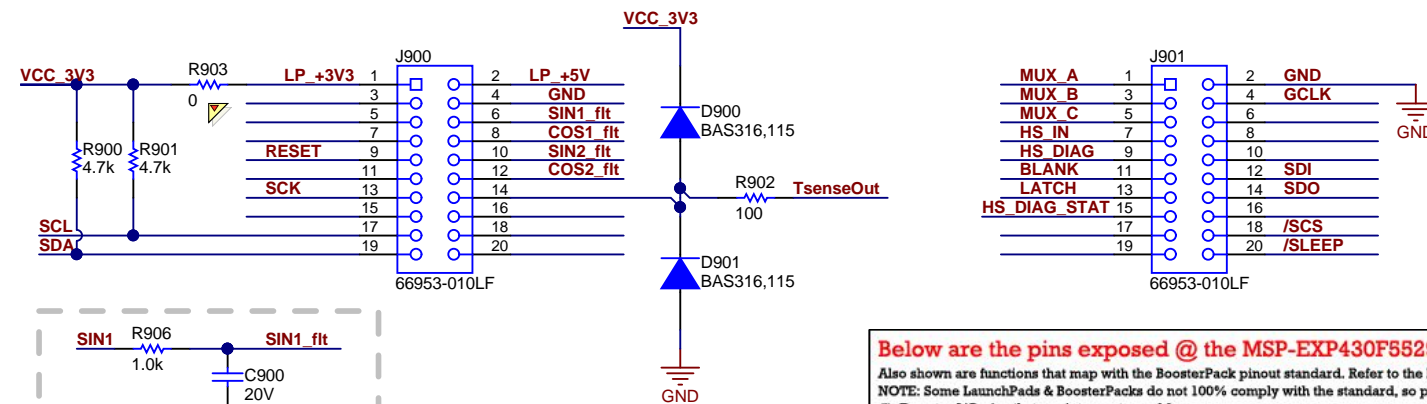
7. DC-Motor Driver for the Flap-Actuators



8. Sensor Signal Interface

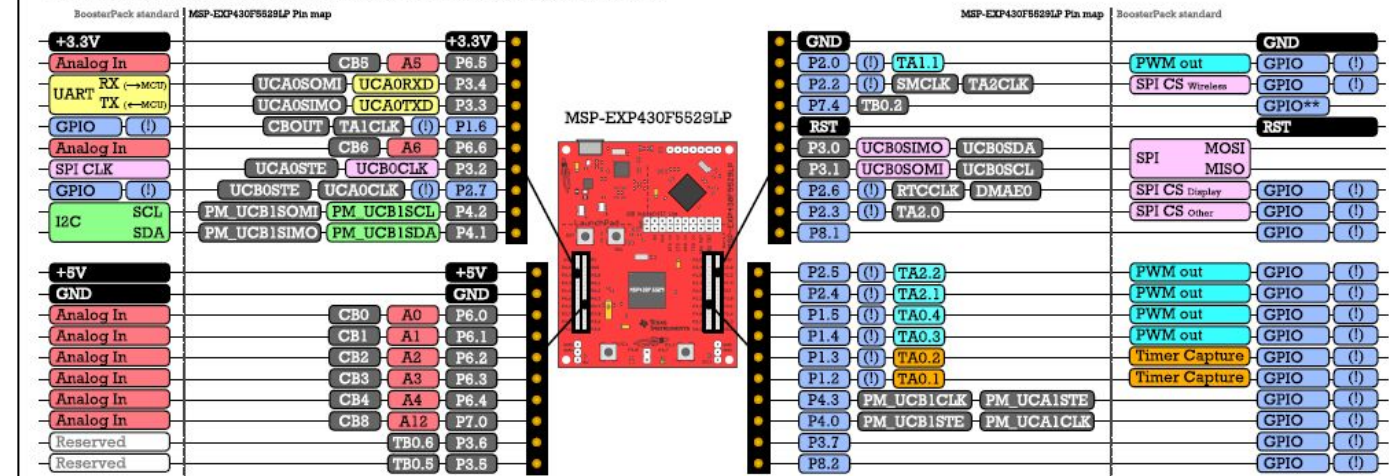


9. LaunchPad Interface: MSP430F5529

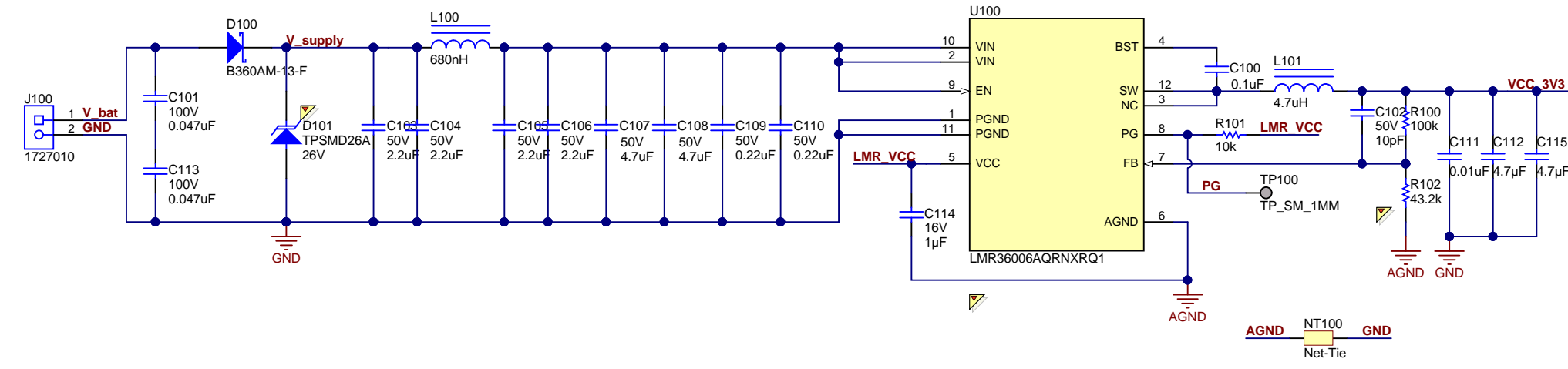


Below are the pins exposed @ the MSP-EXP430F5529LP BoosterPack connector.

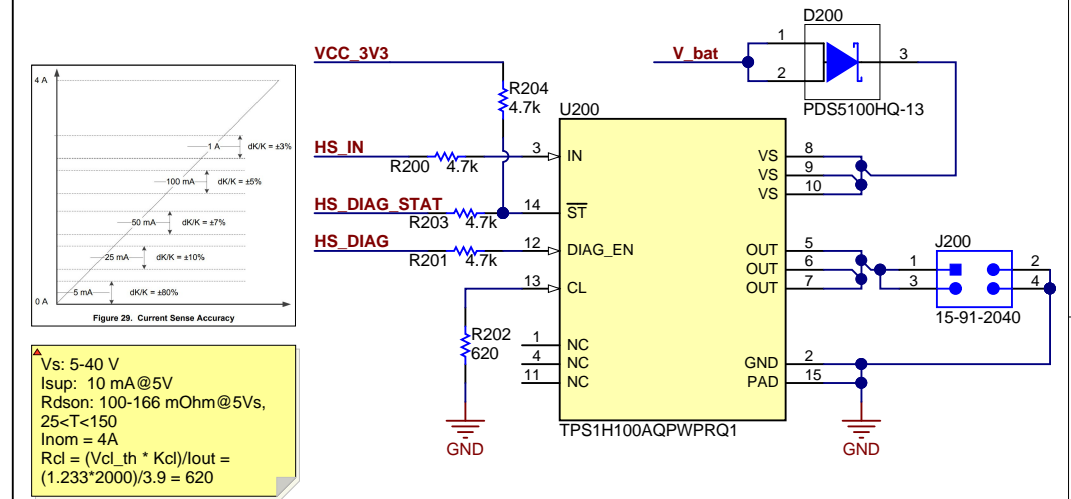
Also shown are functions that map with the BoosterPack pinout standard. Refer to the MSP430F5529 Datasheet for additional details.
NOTE: Some LaunchPads & BoosterPacks do not 100% comply with the standard, so please check your specific LaunchPad to ensure pin compatibility.
(!) Denotes I/O pins that are interrupt-capable.
** Some LaunchPads do not have a GPIO here. De-prioritize this pin when making a BoosterPack.



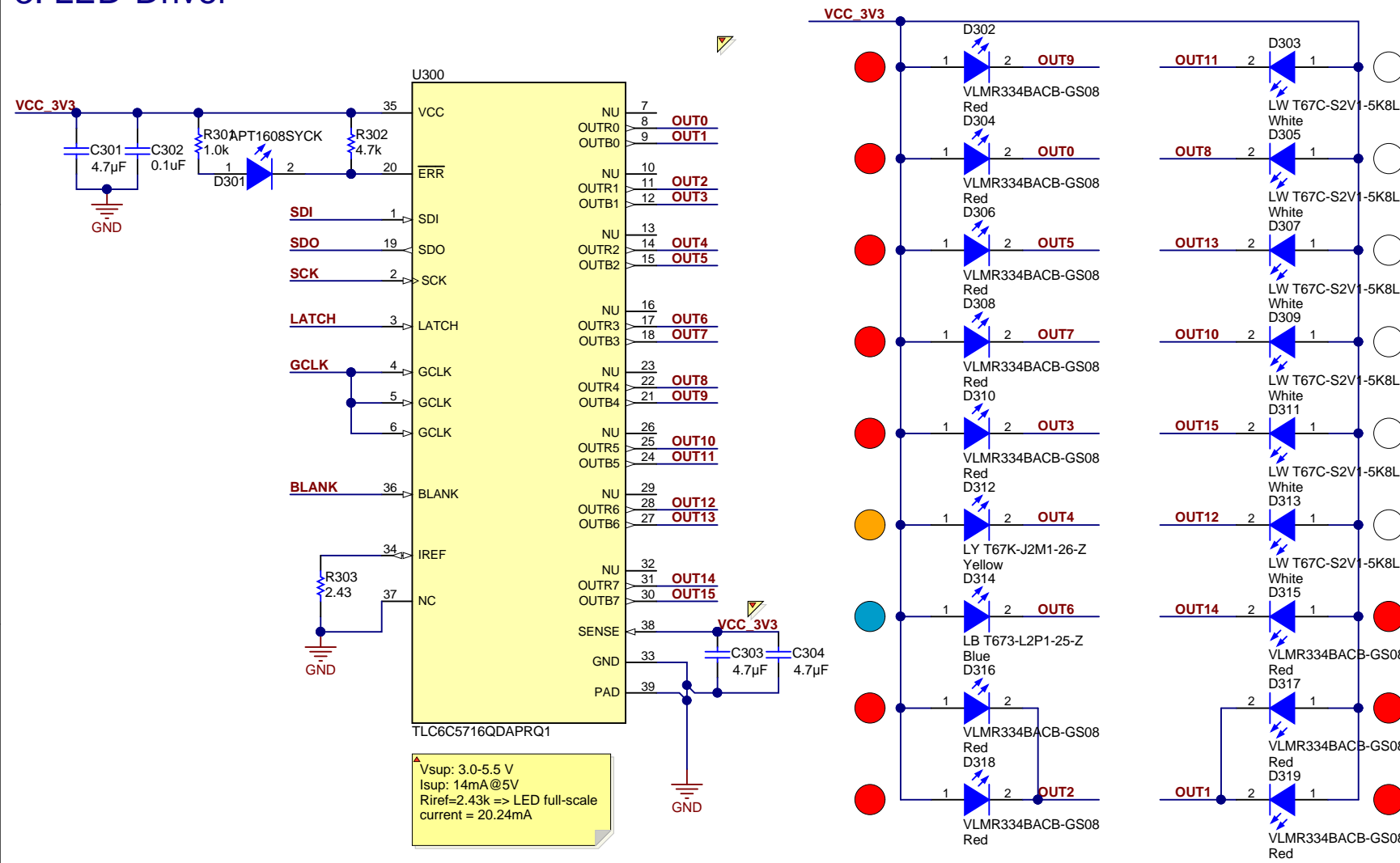
1. Protection Circuit, Power Supply



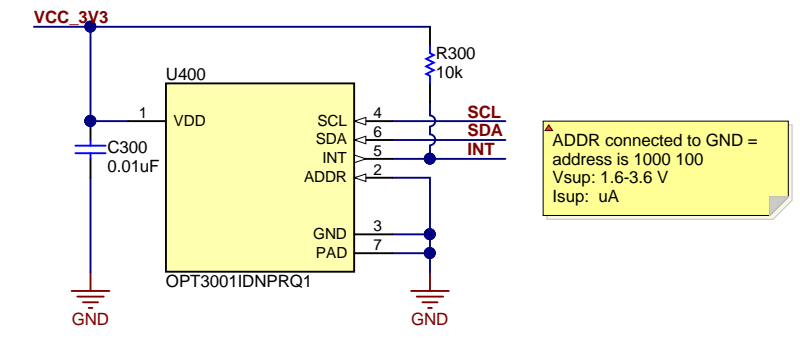
2. High Side Switch



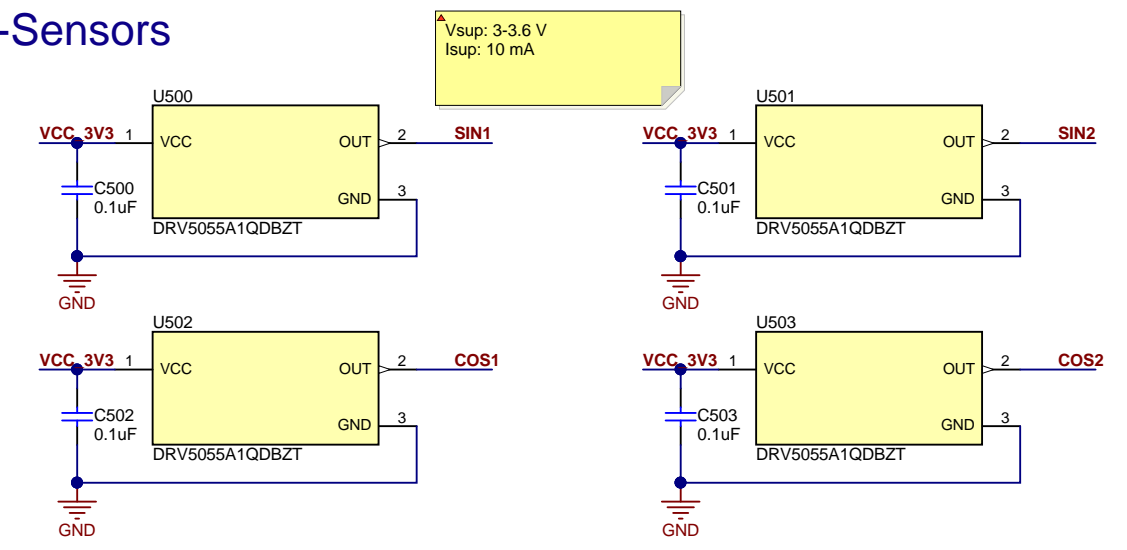
3. LED-Driver

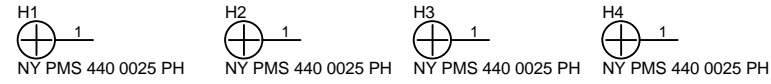


4. Ambient Light Sensor



5. Hall-Sensors





PCB Number: TIDA-020010
PCB Rev: E1

PCB LOGO
Texas Instruments

PCB LOGO
Pb-Free Symbol

PCB LOGO
FCC disclaimer

| Variant/Label Table | |
|---------------------|------------|
| Variant | Label Text |
| 001 | ChangeMe! |
| 002 | ChangeMe! |
| | |
| | |
| | |
| | |


LBL1
PCB Label
THT-14-423-10
Size: 0.65" x 0.20 "

ZZ1
Label Assembly Note
This Assembly Note is for PCB labels only

ZZ2
Assembly Note
These assemblies are ESD sensitive, ESD precautions shall be observed.

ZZ3
Assembly Note
These assemblies must be clean and free from flux and all contaminants. Use of no clean flux is not acceptable.

ZZ4
Assembly Note
These assemblies must comply with workmanship standards IPC-A-610 Class 2, unless otherwise specified.

| | | | |
|---|--|----------------------|--|
| Orderable: ChangeMe! | Designed for: Public Release | Mod. Date: 6/12/2018 |  http://www.ti.com © Texas Instruments 2018 |
| TID #: 020010 | Project Title: Automotive HVAC Control with HMI Reference Desi | | |
| Number: TIDA-020010 Rev: E1 | Sheet Title: | | |
| SVN Rev: Version control disabled | Assembly Variant: 001 | Sheet: 3 of 3 | |
| Drawn By: | File: HVAC_HMI_EVM_Hardware.SchDoc | Size: B | |
| Engineer: Levan Bidzishvili | Contact: http://www.ti.com/support | | |

Texas Instruments and/or its licensors do not warrant the accuracy or completeness of this specification or any information contained therein. Texas Instruments and/or its licensors do not warrant that this design will meet the specifications, will be suitable for your application or fit for any particular purpose, or will operate in an implementation. Texas Instruments and/or its licensors do not warrant that the design is production worthy. You should completely validate and test your design implementation to confirm the system functionality for your application.

IMPORTANT NOTICE AND DISCLAIMER

TI PROVIDES TECHNICAL AND RELIABILITY DATA (INCLUDING DATASHEETS), DESIGN RESOURCES (INCLUDING REFERENCE DESIGNS), APPLICATION OR OTHER DESIGN ADVICE, WEB TOOLS, SAFETY INFORMATION, AND OTHER RESOURCES "AS IS" AND WITH ALL FAULTS, AND DISCLAIMS ALL WARRANTIES, EXPRESS AND IMPLIED, INCLUDING WITHOUT LIMITATION ANY IMPLIED WARRANTIES OF MERCHANTABILITY, FITNESS FOR A PARTICULAR PURPOSE OR NON-INFRINGEMENT OF THIRD PARTY INTELLECTUAL PROPERTY RIGHTS.

These resources are intended for skilled developers designing with TI products. You are solely responsible for (1) selecting the appropriate TI products for your application, (2) designing, validating and testing your application, and (3) ensuring your application meets applicable standards, and any other safety, security, or other requirements. These resources are subject to change without notice. TI grants you permission to use these resources only for development of an application that uses the TI products described in the resource. Other reproduction and display of these resources is prohibited. No license is granted to any other TI intellectual property right or to any third party intellectual property right. TI disclaims responsibility for, and you will fully indemnify TI and its representatives against, any claims, damages, costs, losses, and liabilities arising out of your use of these resources.

TI's products are provided subject to TI's Terms of Sale (www.ti.com/legal/termsofsale.html) or other applicable terms available either on ti.com or provided in conjunction with such TI products. TI's provision of these resources does not expand or otherwise alter TI's applicable warranties or warranty disclaimers for TI products.

Mailing Address: Texas Instruments, Post Office Box 655303, Dallas, Texas 75265
Copyright © 2019, Texas Instruments Incorporated