

# Design Guide: TIDA-050041

## Bulk Current Injection (BCI) Compliant Automotive Rear Light Reference Design



### Description

This reference design for TPS92611-Q1 is an automotive rear light EMC compliant design. This is a direct connection to battery application with multiple single channel device and the fault pins are connected together to realize One-Fails-All-Fail function. TIDA-050041 provides some recommendations to pass the Bulk Current Injection (BCI) test based on ISO11452-4 test 200mA substitution method and HKMC ES96200 Standard.

### Resources

[TIDA-050041](#)  
[TPS92611-Q1](#)

Design Folder  
Product Folder

### Features

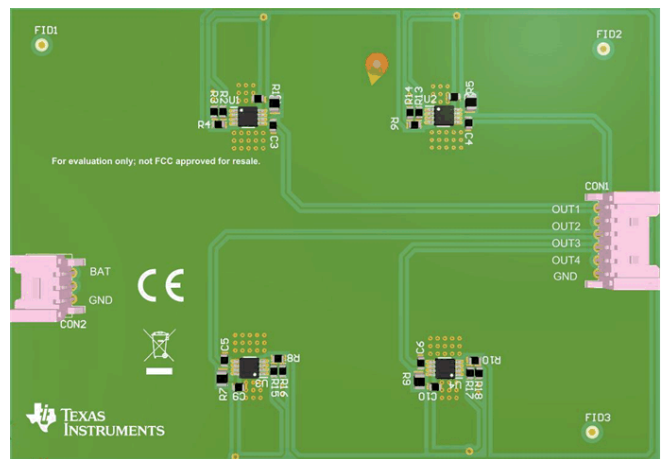
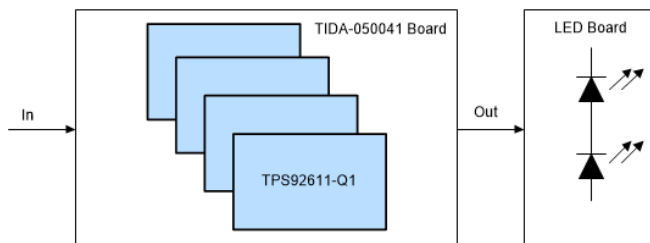
- Pass Bulk Current Injection (BCI) Test:
  - ISO11452-4 200mA standard
  - HKMC ES96200 standard
- Support One-Fails-All-Fail function
- Suit off-board driving application

### Applications

- [Rear Light](#)
- [Interior Light](#)



[Search Our E2E™ support forums](#)



An IMPORTANT NOTICE at the end of this TI reference design addresses authorized use, intellectual property matters and other important disclaimers and information.

## 1 System Description

In an automotive rear lamp application, long cables are used to connect the battery to a LED module. The noise generated by RF electromagnetic fields frequently degrades the performance of the electronic device by generating CM currents on cables. The effect of noise on rear lamp system can be simulated well by injecting common mode current to the cables of the equipment. Several automotive standards, such as ISO11452, define methods to evaluate the immunity levels of electronic devices. ISO11452-4 defines procedure and several different levels for conducting immunity testing of wiring harnesses in the frequency range of 1-400MHz.

This reference design incorporates 4 single-channel LED drivers with fault bus. It can pass the ISO11452-4 200mA level substitution method and HKMC ES96200 standard BCI test.

### 1.1 Key System Specifications

TIDA-050041 reference design provides a template for 8 or 12 LED off-board driving rear light applications with 4pcs TPS92611-Q1.

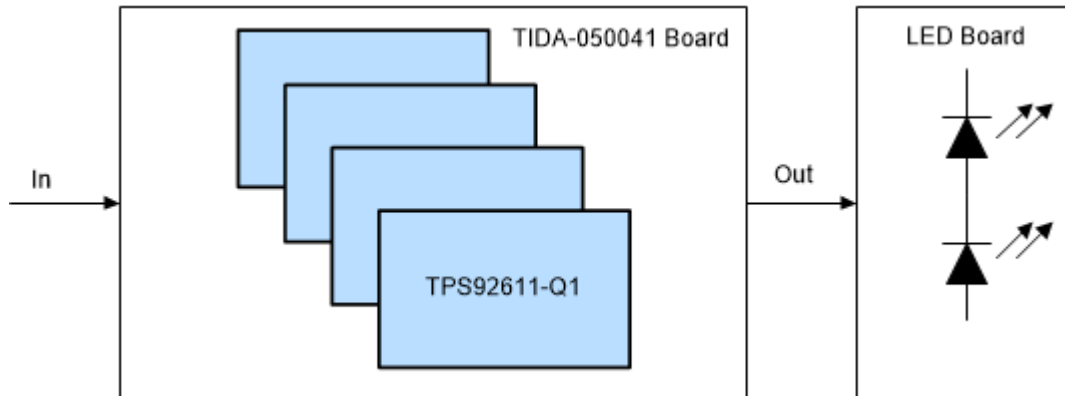
**Table 1. Key System Specifications**

PARAMETER	SPECIFICATIONS
Input Voltage	9 V-16 V
Output Current	100mA
Input capacitor	4.7uF + 100nF
Output capacitor	100nF
System level protection	One-Fails-All-Fail

## 2 System Overview

### 2.1 Block Diagram

Figure 1. TIDA-050041 Block Diagram



### 2.2 Design Considerations

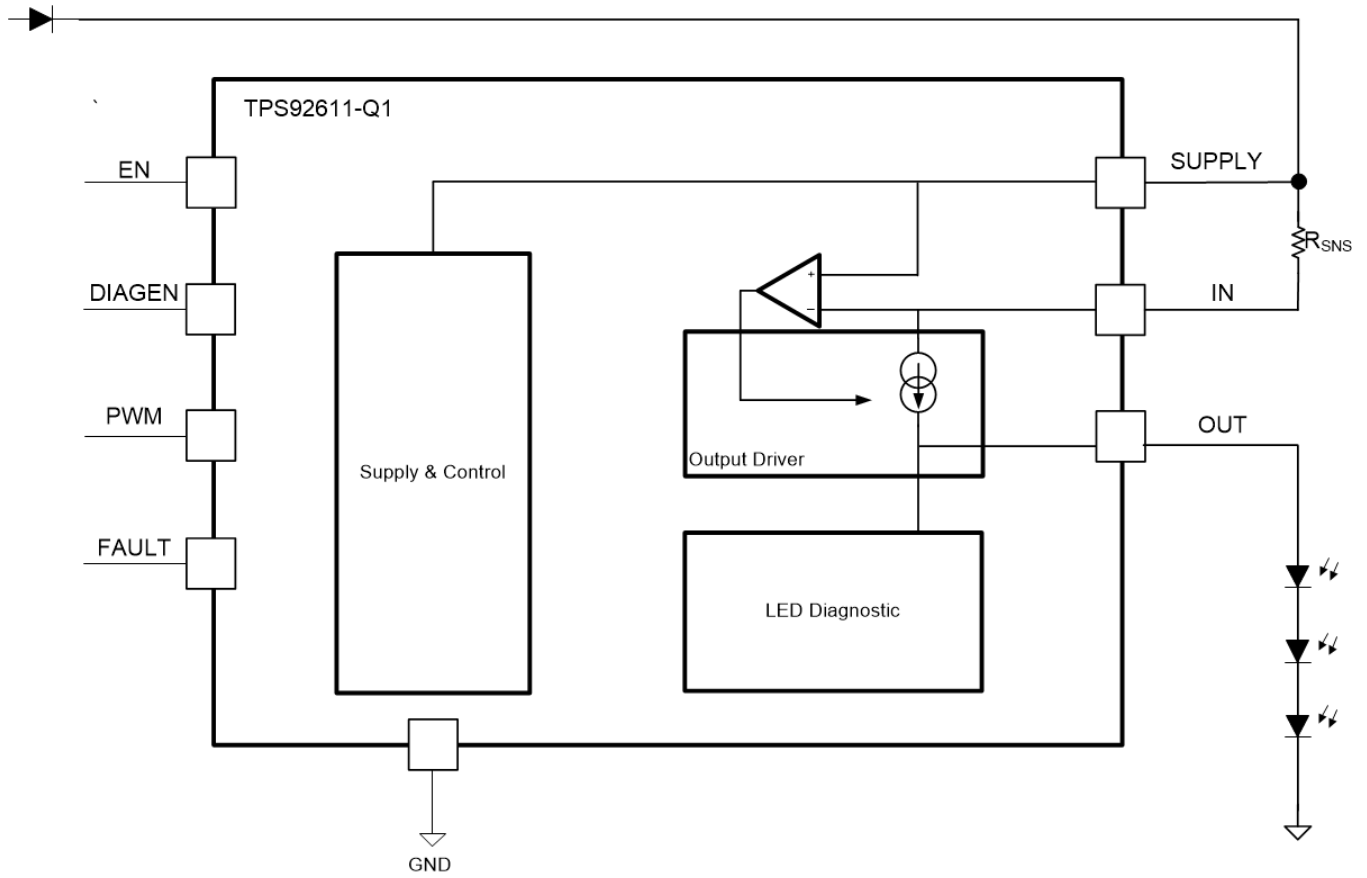
To pass BCI test, it is important to follow the three items:

- Good input filter circuit can suppress the BCI noise, TI recommends to place input capacitors as close to device pins as possible.
- Vias will introduce parasitic noise, TI recommends to use as less vias as possible especially on power traces.
- Large GND polygon can provide a good noise path and thermal performance, TI recommends to merge GND together and keep it as large as possible.

### 2.3 Highlighted Products

**TPS92611-Q1** is a simple single-channel high-side LED driver operating from an automotive car battery. It is a simple and elegant solution, with LED diagnostics, to deliver constant current for a single LED string. It is a one-fails-all-fail feature able to work together with other LED drivers, such as the TPS9261x-Q1, TPS9263x-Q1, and TPS9283x-Q1 devices, to address different requirements.

Figure 2. TPS92611-Q1 Block Diagram



### 3 Hardware, Testing Requirements, and Test Results

#### 3.1 Required Hardware

This test is based on the qualified test agency, so the required hardware customer needs include:

- [TIDA-050041 board](#)
- LED board with 8 LED (2 LED per string) or 12 LED (3 LED per string)
- Test wires referencing the ISO 11452-4 request

## 3.2 Testing and Results

### 3.2.1 Test Setup

Reference the standard of ISO11452-4.

### 3.2.2 Test Results

Pass the ISO11452-4 200mA level substitution method and HKMC ES96200 standard BCI test. The formal reports are provided using the following links:

- [ISO11452-4 200mA level substitution method test report](#)
- [HKMC ES96200 standard test report](#)

## 4 Design Files

### 4.1 Schematics

To download the schematics, see the design files at [TIDA-050041](#).

### 4.2 Bill of Materials

To download the bill of materials (BOM), see the design files at [TIDA-050041](#).

### 4.3 PCB Layout print

To download the layer plots, see the design files at [TIDA-050041](#).

### 4.4 Altium Project

To download the Altium Designer® project files, see the design files at [TIDA-050041](#).

### 4.5 Gerber Files

To download the Gerber files, see the design files at [TIDA-050041](#).

### 4.6 Assembly Drawings

To download the assembly drawings, see the design files at [TIDA-050041](#).

## 5 Related Documentation

1. [Automotive Rear Light EMC Reference Design](#)
2. [ISO11452-4](#)

### 5.1 Trademarks

E2E is a trademark of Texas Instruments.

Altium Designer is a registered trademark of Altium LLC or its affiliated companies.

All other trademarks are the property of their respective owners.

### 5.2 Third-Party Products Disclaimer

TI'S PUBLICATION OF INFORMATION REGARDING THIRD-PARTY PRODUCTS OR SERVICES DOES NOT CONSTITUTE AN ENDORSEMENT REGARDING THE SUITABILITY OF SUCH PRODUCTS OR SERVICES OR A WARRANTY, REPRESENTATION OR ENDORSEMENT OF SUCH PRODUCTS OR SERVICES, EITHER ALONE OR IN COMBINATION WITH ANY TI PRODUCT OR SERVICE.

## IMPORTANT NOTICE AND DISCLAIMER

TI PROVIDES TECHNICAL AND RELIABILITY DATA (INCLUDING DATA SHEETS), DESIGN RESOURCES (INCLUDING REFERENCE DESIGNS), APPLICATION OR OTHER DESIGN ADVICE, WEB TOOLS, SAFETY INFORMATION, AND OTHER RESOURCES "AS IS" AND WITH ALL FAULTS, AND DISCLAIMS ALL WARRANTIES, EXPRESS AND IMPLIED, INCLUDING WITHOUT LIMITATION ANY IMPLIED WARRANTIES OF MERCHANTABILITY, FITNESS FOR A PARTICULAR PURPOSE OR NON-INFRINGEMENT OF THIRD PARTY INTELLECTUAL PROPERTY RIGHTS.

These resources are intended for skilled developers designing with TI products. You are solely responsible for (1) selecting the appropriate TI products for your application, (2) designing, validating and testing your application, and (3) ensuring your application meets applicable standards, and any other safety, security, regulatory or other requirements.

These resources are subject to change without notice. TI grants you permission to use these resources only for development of an application that uses the TI products described in the resource. Other reproduction and display of these resources is prohibited. No license is granted to any other TI intellectual property right or to any third party intellectual property right. TI disclaims responsibility for, and you will fully indemnify TI and its representatives against, any claims, damages, costs, losses, and liabilities arising out of your use of these resources.

TI's products are provided subject to [TI's Terms of Sale](#) or other applicable terms available either on [ti.com](http://ti.com) or provided in conjunction with such TI products. TI's provision of these resources does not expand or otherwise alter TI's applicable warranties or warranty disclaimers for TI products.

TI objects to and rejects any additional or different terms you may have proposed.

Mailing Address: Texas Instruments, Post Office Box 655303, Dallas, Texas 75265  
Copyright © 2022, Texas Instruments Incorporated