

VOLTAGE PROTECTION FOR 2-, 3-, OR 4-CELL Lion BATTERIES (2nd PROTECTION)

FEATURES

- 2-, 3-, or 4-Cell Secondary Protection
- Low Power Consumption $I_{CC} < 2 \mu\text{A}$ [$V_{CELL(ALL)} < V_{(PROTECT)}$]
- High Accuracy Over Sense Voltage:
 - bq29400: 4.35 V \pm 25 mV
 - bq29400A: 4.40 V \pm 25 mV
 - bq29401: 4.45 V \pm 25 mV
 - bq29405: 4.65 V \pm 25 mV
- Prefixed Protection Threshold Voltage
- Programmable Delay Time
- High Power Supply Ripple Rejection
- Stable During Pulse Charge Operation

APPLICATIONS

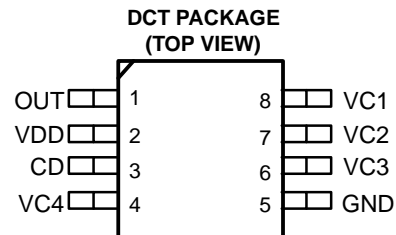
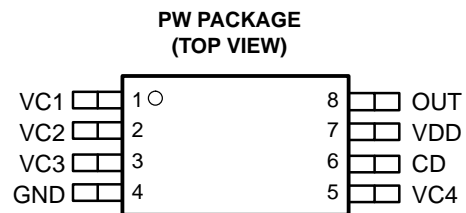
- 2nd Level Protection in Lion Battery Packs in
 - Notebook PCs
 - Portable Instrumentation
 - Medical and Test Equipment

DESCRIPTION

The bq29400, bq29400A, bq29401, and bq29405 are BiCMOS secondary protection ICs for 2-, 3-, or 4-cell Lithium-Ion battery packs that incorporate a high-accuracy precision over voltage detection circuit. They include a programmable delay circuit for over voltage detection time.

FUNCTION

Each cell in a multiple cell pack is compared to an internal reference voltage. If one cell reaches an overvoltage condition, the protection sequence begins. The bq2940x device starts charging an external capacitor through the CD pin. When the CD pin voltage reaches 1.2 V, the OUT pin changes from a low level to a high level.



ORDERING INFORMATION

T_A	$V_{(PROTECT)}$	PACKAGE			
		MSSOP (DCT3)	SYMBOL	TSSOP (PW) ⁽¹⁾	SYMBOL
–25°C to 85°C	4.35 V	bq29400DCT3	CIQ	bq29400PW	2400
	4.40 V	bq29400ADCT3	CIT	Not Available	-
	4.45 V	bq29401DCT3	CIR	bq29401PW	2401
	4.65 V	bq29405DCT3	CIS	Not Available	-

(1) The bq29400, bq29400A, bq29401, and bq29405 are available taped and reeled. Add an R suffix to the device type (e.g., bq29400PWR) to order tape and reel version.



Please be aware that an important notice concerning availability, standard warranty, and use in critical applications of Texas Instruments semiconductor products and disclaimers thereto appears at the end of this data sheet.



These devices have limited built-in ESD protection. The leads should be shorted together or the device placed in conductive foam during storage or handling to prevent electrostatic damage to the MOS gates.

ABSOLUTE MAXIMUM RATINGS

over operating free-air temperature range unless otherwise noted⁽¹⁾⁽²⁾

		UNIT
Supply voltage range	(VDD)	–0.3 V to 28 V
Input voltage range	(VC1, VC2, VC3, VC4)	–0.3 V to 28 V
Output voltage range	(OUT)	–0.3 V to 28 V
	(CD)	–0.3 V to 28 V
Continuous total power dissipation		See Dissipation Rating Table
Storage temperature range, T _{stg}		–65°C to 150°C
Lead temperature (soldering, 10 sec)		300°C

- Stresses beyond those listed under "absolute maximum ratings" may cause permanent damage to the device. These are stress ratings only, and functional operation of the device at these or any other conditions beyond those indicated under "recommended operating conditions" is not implied. Exposure to absolute-maximum-rated conditions for extended periods may affect device reliability.
- All voltages are with respect to ground of this device except the differential voltage of VC1-VC2, VC2-VC3, VC3-VC4 and VC4-GND.

PACKAGE DISSIPATION RATINGS

PACKAGE	T _A = 25°C POWER RATING	DERATING FACTOR ABOVE T _A = 25°C	T _A = 70°C POWER RATING	T _A = 85°C POWER RATING
DCT	412 mW	3.3 mW/°C	264 mW	214 mW
PW	525 mW	4.2 mW/°C	336 mW	273 mW

RECOMMENDED OPERATING CONDITIONS

		MIN	NOM	MAX	UNIT
V _{DD}	Supply Voltage	4.0		25	V
V _I	Input voltage range	0		V _{DD} +0.3	V
t _{d(CD)}	Delay time capacitance		0.22		μF
R _{IN}	Voltage-monitor filter resistance	100	1k		Ω
C _{IN}	Voltage-monitor filter capacitance	0.01	0.1		μF
R _{VD}	Supply-voltage filter resistance	0		1	kΩ
C _{VD}	Supply-voltage filter capacitance		0.1		μF
T _A	Operating ambient temperature range	–25		85	°C

ELECTRICAL CHARACTERISTICS

over recommended operating free-air temperature range, $T_A = 25^\circ\text{C}$ (unless otherwise noted)⁽¹⁾

PARAMETER		TEST CONDITION	MIN	NOM	MAX	UNIT
$V_{(OA)}$	Over voltage detection accuracy			25	35	mV
		$T_A = -20^\circ\text{C}$ to 85°C		25	50	
$V_{(PROTECT)}$	Over voltage detection voltage ⁽¹⁾	bq29400		4.35		V
		bq2940A		4.40		
		bq29401		4.45		
		bq29405		4.65		
V_{hys}	Over voltage detection hysteresis ⁽¹⁾			300		mV
I_I	Input current	$V_2, V_3, VC4$ input = $VC1-VC2 = VC2-VC3 = VC3-VC4 = VC4-GND = 3.5$ V			0.3	μA
t_{D1}	Over voltage detection delay time	$CD = 0.22$ μF	1.0	1.5	2.0	S
$I_{(CD_dis)}$	CD GND clamp current	$CD = 1$ V	5	12		μA
I_{CC}	Supply current	$VC1-VC2 = VC2-VC3 = VC3-VC4 = VC4-GND = 3.5$ V (see Figure 1)		2.0	3.0	μA
		$VC1 = VC2 = VC3 = VC4 = VC3-VC4 = VC4-GND = 2.3$ V (see Figure 1)		1.5	2.5	
$V_{(OUT)}$	OUT pin drive voltage	$VC1-VC2 = VC2-VC3 = VC3-VC4 = VC4-GND = V_{(PROTECT)MAX}$, $VDD = VC1$, $IOH = 0$ mA		7		V
		$VC1=VC2=VC3=VC4=V_{(PROTECT)MAX}$, $VDD=4.3$ V, $T_A=0^\circ\text{C}$ to 70°C , $IOH = -40$ μA		1.5	2.0	2.5
I_{OH}	High-level output current	$OUT = 3$ V, $VC1-VC2 = VC2-VC3 = VC3-VC4 = VC4-GND = 4.7$ V		-1		mA
I_{OL}	Low-level output current	$OUT = 0.1$ V $VC1-VC2 = VC2-VC3 = VC3-VC4 = VC4-GND = 3.5$ V		5		μA

(1) Levels of the over-voltage detection and the hysteresis can be adjusted. For assistance contact Texas Instruments sales representative.

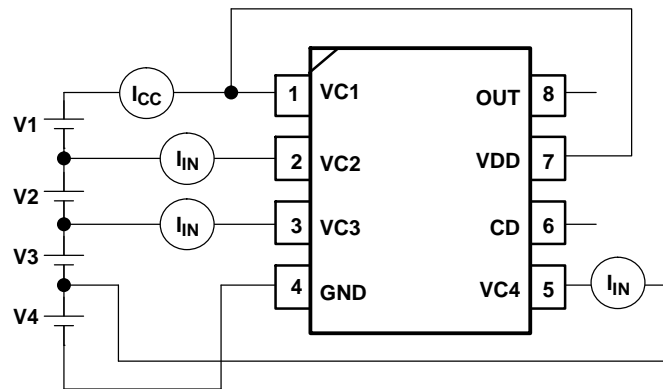


Figure 1. I_{CC} , I_{IN} Measurement (TSSOP Package)

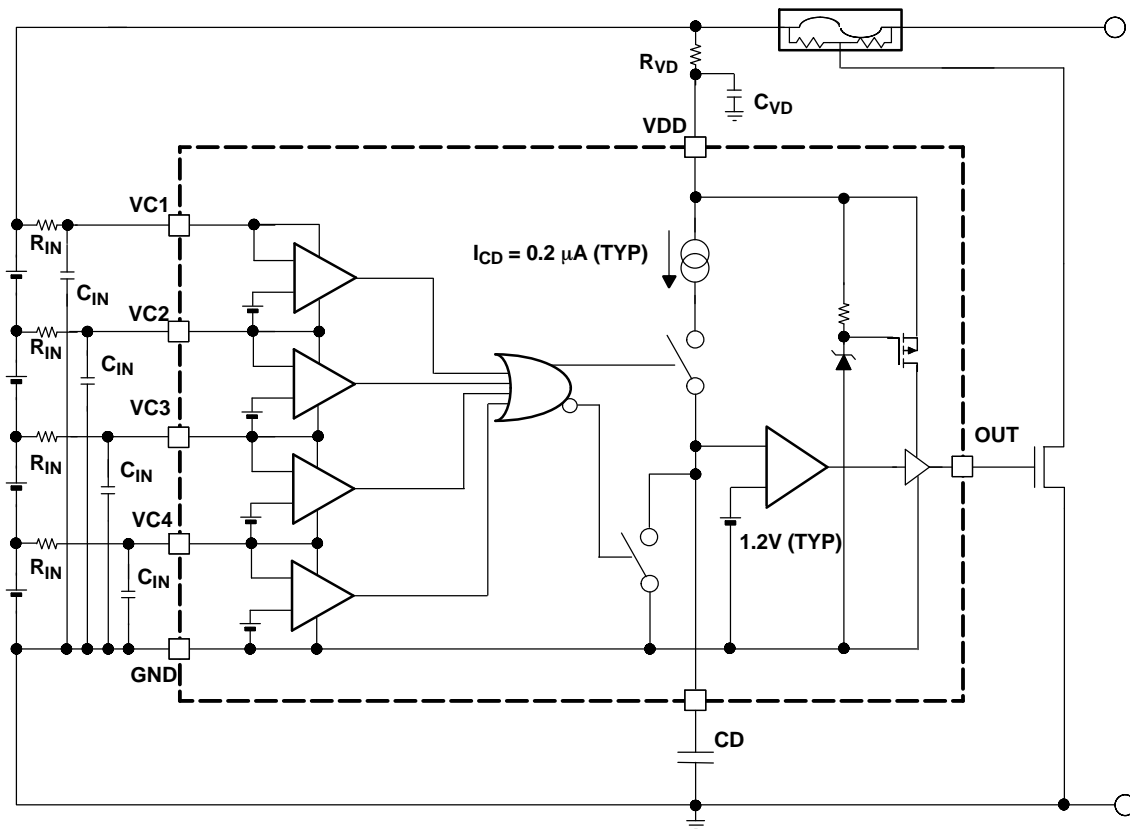
Terminal Functions

TERMINAL			DESCRIPTION
MSOP (DTC)	TSSOP (PW)	NAME	
8	1	VC1	Sense voltage input for most positive cell
7	2	VC2	Sense voltage input for second most positive cell
6	3	VC3	Sense voltage input for third most positive cell
5	4	GND	Ground pin
4	5	VC4	Sense voltage input for least positive cell

Terminal Functions (continued)

TERMINAL			DESCRIPTION
MSOP (DTC)	TSSOP (PW)	NAME	
3	6	CD	An external capacitor is connected to determine the programmable delay time
2	7	VDD	Power supply
1	8	OUT	Output

FUNCTIONAL BLOCK DIAGRAM



OVERVOLTAGE PROTECTION

When one of the cell voltages exceeds $V_{(PROTECT)}$, an internal current source begins to charge the capacitor, $C_{(DELAY)}$, connected to the CD pin. If the voltage at the CD pin, V_{CD} , reaches 1.2 V, the OUT pin is activated and transitions high. An externally connected NCH FET is activated and blows the external fuse in the positive battery rail, see [Figure 1](#).

If all cell voltages fall below $V_{(PROTECT)}$ before the voltage at pin CD reaches 1.2 V, the delay time does not run out. An internal switch clamps the CD pin to GND and discharges the capacitor, $C_{(DELAY)}$, and secures the full delay time for the next occurring overvoltage event.

Once the pin OUT is activated, it transitions back from high to low after all battery cells reach $V_{(PROTECT)} - V_{hys}$.

DELAY TIME CALCULATION

The delay time is calculated as follows:

$$t_d = \frac{1.2 \text{ V} \times C_{(\text{DELAY})}}{I_{\text{CD}}}$$

$$C_{(\text{DELAY})} = \frac{t_d \times I_{\text{CD}}}{1.2 \text{ V}}$$

Where $I_{(\text{CD})}$ = CD current source = 0.2 μA

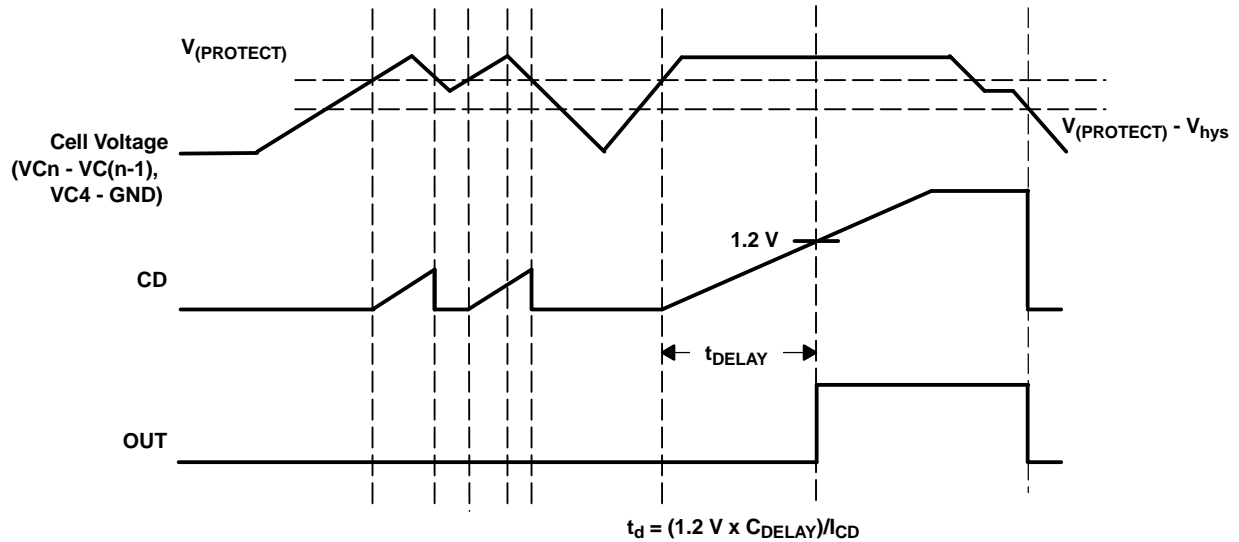


Figure 2. Timing for Overvoltage Sensing

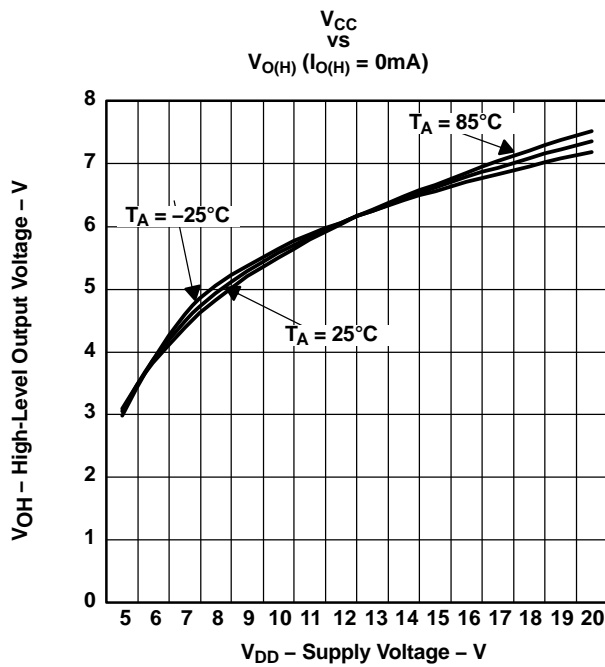


Figure 3.

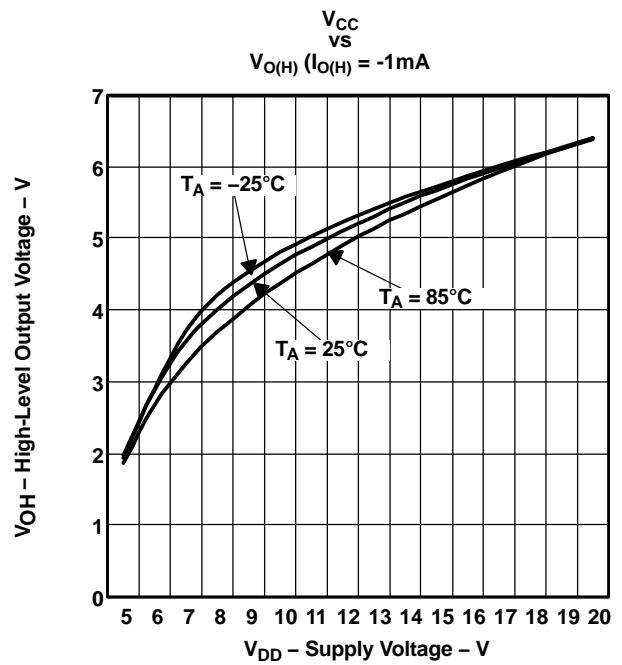


Figure 4.

APPLICATION INFORMATION

BATTERY CONNECTIONS

The following diagrams show the TSSOP package device in different cell configurations.

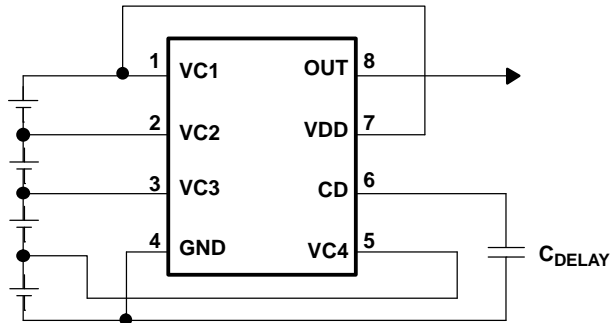


Figure 5. 4-Series Cell Configuration

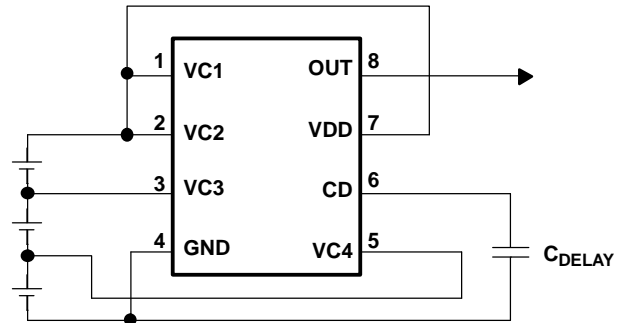


Figure 6. 3-Series Cell Configuration
(Connect together VC1 and VC2)

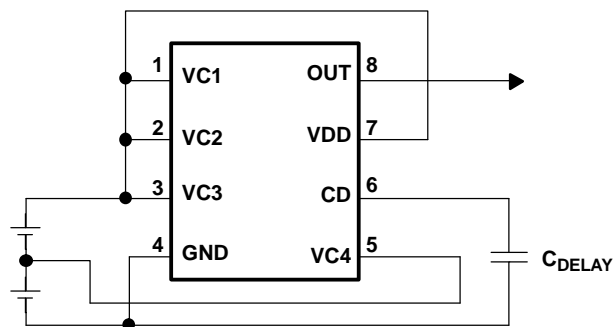


Figure 7. 2-Series Cell Configuration

CELL CONNECTIONS

To prevent incorrect output activation the following connection sequences must be used.

4-Series Cell Configuration

- VC1(=VDD) → VC2 → VC3 → VC4 → GND or
- GND → VC4 → VC3 → VC2 → VC1(=VDD)

3-Series Cell Configuration

- VC1(=VC2=VDD) → VC3 → VC4 → GND or
- GND → VC4 → VC3 → VC1(=VC2=VDD)

2-Series Cell Configuration

- VC1(=VC2=VC3=VDD) → VC4 → GND or
- GND → VC4 → VC1(=VC2=VC3=VDD)

PACKAGING INFORMATION

Orderable Device	Status (1)	Package Type	Package Drawing	Pins	Package Qty	Eco Plan (2)	Lead finish/ Ball material (6)	MSL Peak Temp (3)	Op Temp (°C)	Device Marking (4/5)	Samples
BQ29400DCT3	ACTIVE	SSOP	DCT	8	3000	RoHS & Non-Green	SNBI	Level-1-260C-UNLIM		CIQ	Samples
BQ29400DCT3E6	ACTIVE	SSOP	DCT	8	3000	RoHS & Non-Green	SNBI	Level-1-260C-UNLIM		CIQ	Samples
BQ29400PW	ACTIVE	TSSOP	PW	8	150	RoHS & Green	NIPDAU	Level-1-260C-UNLIM	-25 to 85	29400	Samples
BQ29401PW	ACTIVE	TSSOP	PW	8	150	RoHS & Green	NIPDAU	Level-1-260C-UNLIM	-20 to 85	29401	Samples

(1) The marketing status values are defined as follows:

ACTIVE: Product device recommended for new designs.

LIFEBUY: TI has announced that the device will be discontinued, and a lifetime-buy period is in effect.

NRND: Not recommended for new designs. Device is in production to support existing customers, but TI does not recommend using this part in a new design.

PREVIEW: Device has been announced but is not in production. Samples may or may not be available.

OBSELETE: TI has discontinued the production of the device.

(2) **RoHS:** TI defines "RoHS" to mean semiconductor products that are compliant with the current EU RoHS requirements for all 10 RoHS substances, including the requirement that RoHS substance do not exceed 0.1% by weight in homogeneous materials. Where designed to be soldered at high temperatures, "RoHS" products are suitable for use in specified lead-free processes. TI may reference these types of products as "Pb-Free".

RoHS Exempt: TI defines "RoHS Exempt" to mean products that contain lead but are compliant with EU RoHS pursuant to a specific EU RoHS exemption.

Green: TI defines "Green" to mean the content of Chlorine (Cl) and Bromine (Br) based flame retardants meet JS709B low halogen requirements of <=1000ppm threshold. Antimony trioxide based flame retardants must also meet the <=1000ppm threshold requirement.

(3) MSL, Peak Temp. - The Moisture Sensitivity Level rating according to the JEDEC industry standard classifications, and peak solder temperature.

(4) There may be additional marking, which relates to the logo, the lot trace code information, or the environmental category on the device.

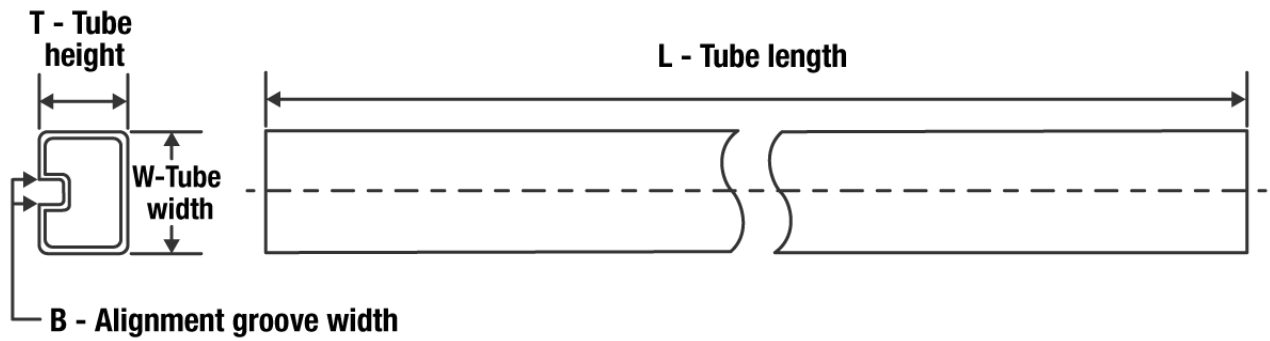
(5) Multiple Device Markings will be inside parentheses. Only one Device Marking contained in parentheses and separated by a "~" will appear on a device. If a line is indented then it is a continuation of the previous line and the two combined represent the entire Device Marking for that device.

(6) Lead finish/Ball material - Orderable Devices may have multiple material finish options. Finish options are separated by a vertical ruled line. Lead finish/Ball material values may wrap to two lines if the finish value exceeds the maximum column width.

Important Information and Disclaimer:The information provided on this page represents TI's knowledge and belief as of the date that it is provided. TI bases its knowledge and belief on information provided by third parties, and makes no representation or warranty as to the accuracy of such information. Efforts are underway to better integrate information from third parties. TI has taken and

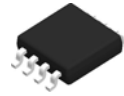
continues to take reasonable steps to provide representative and accurate information but may not have conducted destructive testing or chemical analysis on incoming materials and chemicals. TI and TI suppliers consider certain information to be proprietary, and thus CAS numbers and other limited information may not be available for release.

In no event shall TI's liability arising out of such information exceed the total purchase price of the TI part(s) at issue in this document sold by TI to Customer on an annual basis.

TUBE


*All dimensions are nominal

Device	Package Name	Package Type	Pins	SPQ	L (mm)	W (mm)	T (μm)	B (mm)
BQ29400PW	PW	TSSOP	8	150	530	10.2	3600	3.5
BQ29401PW	PW	TSSOP	8	150	530	10.2	3600	3.5



4220784/C 06/2021

NOTES:

1. All linear dimensions are in millimeters. Dimensions in parenthesis are for reference only. Dimensioning and tolerancing per ASME Y14.5M.
2. This drawing is subject to change without notice.
3. This dimension does not include mold flash, protrusions, or gate burrs. Mold flash, protrusions, or gate burrs shall not exceed 0.15 mm per side.
4. This dimension does not include interlead flash. Interlead flash shall not exceed 0.25 mm per side.

EXAMPLE BOARD LAYOUT

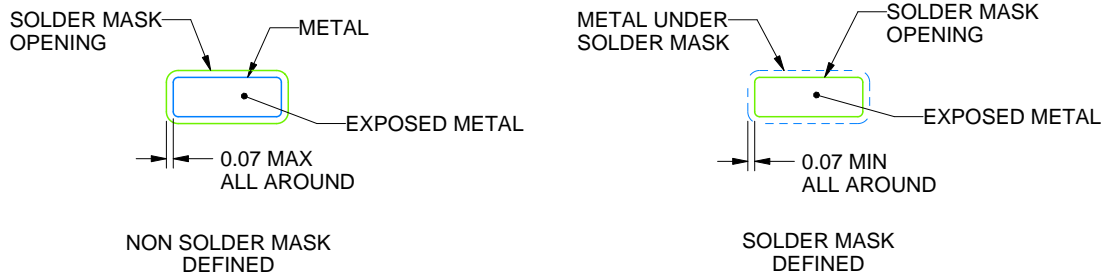
DCT0008A

SSOP - 1.3 mm max height

SMALL OUTLINE PACKAGE



LAND PATTERN EXAMPLE
EXPOSED METAL SHOWN
SCALE:15X



SOLDER MASK DETAILS

4220784/C 06/2021

NOTES: (continued)

- 5. Publication IPC-7351 may have alternate designs.
- 6. Solder mask tolerances between and around signal pads can vary based on board fabrication site.

EXAMPLE STENCIL DESIGN

DCT0008A

SSOP - 1.3 mm max height

SMALL OUTLINE PACKAGE



SOLDER PASTE EXAMPLE
BASED ON 0.125 mm THICK STENCIL
SCALE:15X

4220784/C 06/2021

NOTES: (continued)

7. Laser cutting apertures with trapezoidal walls and rounded corners may offer better paste release. IPC-7525 may have alternate design recommendations.
8. Board assembly site may have different recommendations for stencil design.

PW0008A



PACKAGE OUTLINE
TSSOP - 1.2 mm max height

SMALL OUTLINE PACKAGE



4221848/A 02/2015

NOTES:

1. All linear dimensions are in millimeters. Any dimensions in parenthesis are for reference only. Dimensioning and tolerancing per ASME Y14.5M.
2. This drawing is subject to change without notice.
3. This dimension does not include mold flash, protrusions, or gate burrs. Mold flash, protrusions, or gate burrs shall not exceed 0.15 mm per side.
4. This dimension does not include interlead flash. Interlead flash shall not exceed 0.25 mm per side.
5. Reference JEDEC registration MO-153, variation AA.

EXAMPLE BOARD LAYOUT

PW0008A

TSSOP - 1.2 mm max height

SMALL OUTLINE PACKAGE



LAND PATTERN EXAMPLE
SCALE:10X



SOLDER MASK DETAILS
NOT TO SCALE

4221848/A 02/2015

NOTES: (continued)

- 6. Publication IPC-7351 may have alternate designs.
- 7. Solder mask tolerances between and around signal pads can vary based on board fabrication site.

EXAMPLE STENCIL DESIGN

PW0008A

TSSOP - 1.2 mm max height

SMALL OUTLINE PACKAGE



SOLDER PASTE EXAMPLE
BASED ON 0.125 mm THICK STENCIL
SCALE:10X

4221848/A 02/2015

NOTES: (continued)

8. Laser cutting apertures with trapezoidal walls and rounded corners may offer better paste release. IPC-7525 may have alternate design recommendations.
9. Board assembly site may have different recommendations for stencil design.

IMPORTANT NOTICE AND DISCLAIMER

TI PROVIDES TECHNICAL AND RELIABILITY DATA (INCLUDING DATA SHEETS), DESIGN RESOURCES (INCLUDING REFERENCE DESIGNS), APPLICATION OR OTHER DESIGN ADVICE, WEB TOOLS, SAFETY INFORMATION, AND OTHER RESOURCES "AS IS" AND WITH ALL FAULTS, AND DISCLAIMS ALL WARRANTIES, EXPRESS AND IMPLIED, INCLUDING WITHOUT LIMITATION ANY IMPLIED WARRANTIES OF MERCHANTABILITY, FITNESS FOR A PARTICULAR PURPOSE OR NON-INFRINGEMENT OF THIRD PARTY INTELLECTUAL PROPERTY RIGHTS.

These resources are intended for skilled developers designing with TI products. You are solely responsible for (1) selecting the appropriate TI products for your application, (2) designing, validating and testing your application, and (3) ensuring your application meets applicable standards, and any other safety, security, regulatory or other requirements.

These resources are subject to change without notice. TI grants you permission to use these resources only for development of an application that uses the TI products described in the resource. Other reproduction and display of these resources is prohibited. No license is granted to any other TI intellectual property right or to any third party intellectual property right. TI disclaims responsibility for, and you will fully indemnify TI and its representatives against, any claims, damages, costs, losses, and liabilities arising out of your use of these resources.

TI's products are provided subject to [TI's Terms of Sale](#) or other applicable terms available either on [ti.com](https://www.ti.com) or provided in conjunction with such TI products. TI's provision of these resources does not expand or otherwise alter TI's applicable warranties or warranty disclaimers for TI products.

TI objects to and rejects any additional or different terms you may have proposed.

Mailing Address: Texas Instruments, Post Office Box 655303, Dallas, Texas 75265
Copyright © 2024, Texas Instruments Incorporated