

TPS2551-Q1 Adjustable Current-Limited Power-Distribution Switch

1 Features

- Qualified for automotive applications
- Adjustable current-limit: 100 mA to 1100 mA
- Fast overcurrent response: 2 μ s (typ)
- 94-m Ω high-side MOSFET
- Reverse input-output voltage protection
- Operating range: 2.5 V to 6.5 V
- Deglitched fault report
- 1- μ A maximum standby supply current
- Junction temperature range: -40°C to 125°C
- Built-in soft-start
- 15-kV ESD protection (with external capacitance)

2 Applications

- [USB ports/hubs](#)
- [Cell phones](#)
- [Laptops](#)
- Heavy capacitive loads
- Reverse-voltage protection

3 Description

The TPS2551 power-distribution switch is intended for applications in which heavy capacitive loads and short circuits are likely to be encountered, incorporating a 100-m Ω , N-channel MOSFET in a single package. The current-limit threshold is user adjustable between 100 mA and 1.1 A via an external resistor. The power-switch rise and fall times are controlled to minimize current surges during switching.

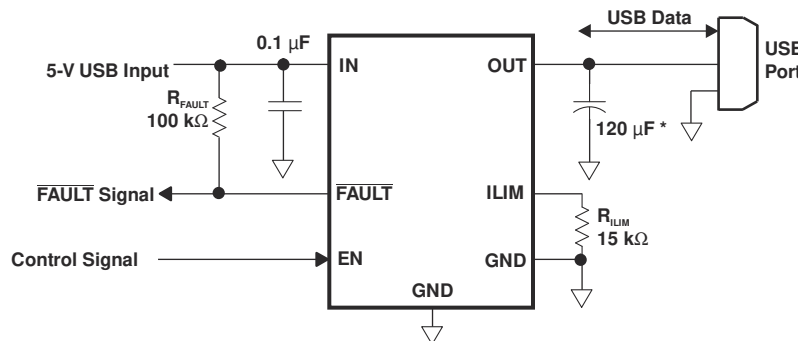
The device limits the output current to a desired level by switching into a constant-current mode when the output load exceeds the current-limit threshold or a short is present. An internal reverse-voltage detection comparator disables the power-switch in the event that the output voltage is driven higher than the input to protect devices on the input side of the switch. The $\overline{\text{FAULT}}$ logic output asserts low during both overcurrent and reverse-voltage conditions.

Package Information

PART NUMBER	PACKAGE ⁽¹⁾	PACKAGE SIZE (NOM) ⁽²⁾
TPS2551-Q1	SOT-23 (6)	2.90 mm \times 1.60 mm

(1) For all available packages, see the orderable addendum at the end of the data sheet.

(2) The package size (length \times width) is a nominal value and includes pins, where applicable.



Typical Application as USB Power Switch



Table of Contents

1 Features	1	8.3 Feature Description.....	11
2 Applications	1	8.4 Programming.....	12
3 Description	1	9 Application and Implementation	14
4 Revision History	2	9.1 Application Information.....	14
5 Pin Configurations and Functions	3	9.2 Typical Application.....	14
6 Specifications	4	9.3 Power Supply Recommendations.....	18
6.1 Absolute Maximum Ratings.....	4	9.4 Layout.....	19
6.2 ESD Ratings.....	4	10 Device and Documentation Support	21
6.3 Recommended Operating Conditions.....	5	10.1 Receiving Notification of Documentation Updates..	21
6.4 Thermal Information.....	5	10.2 Support Resources.....	21
6.5 Electrical Characteristics.....	5	10.3 Trademarks.....	21
6.6 Typical Characteristics.....	7	10.4 Electrostatic Discharge Caution.....	21
7 Parameter Measurement Information	10	10.5 Glossary.....	21
8 Detailed Description	11	11 Mechanical, Packaging, and Orderable Information	22
8.1 Overview.....	11		
8.2 Functional Block Diagram.....	11		

4 Revision History

NOTE: Page numbers for previous revisions may differ from page numbers in the current version.

Changes from Revision * (June 2008) to Revision A (September 2023)	Page
• Updated the numbering format for tables, figures, and cross-references throughout the document.....	1
• Removed the "Functional Block Diagram", and changed the section title to "Pin Functions".....	3
• Added the "ESD Ratings" section.....	4
• Added the "Functional Block Diagram" section.....	11
• Added the "Feature Description" section.....	11
• Added the "Device Functional Modes" section.....	12
• Added the "Programming" section.....	12
• Added the "Application and Implementation" section.....	14
• Added the "Typical Application" section.....	14
• Added the "Design Requirements" section.....	14
• Added the "Detail Design Procedure" section.....	14
• Added the "Typical Application as USB Power Switch" section.....	17
• Added the "Detail Design Procedure" section.....	18
• Added the "Power Supply Recommendations" section.....	18
• Added the "Layout" section.....	19

5 Pin Configurations and Functions

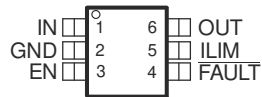


Figure 5-1. DBV Package 6-Pin SOT-23 Top View

Table 5-1. Pin Functions - 6 Pins

PIN		I/O	DESCRIPTION
NAME	NO.		
EN	3	I	Enable input, logic high turns on power switch
FAULT	4	O	Active-low open-drain output, asserted during overcurrent, overtemperature, or reverse-voltage conditions.
GND	2		Ground connection
ILIM	5	I	External resistor used to set current-limit threshold; recommended $14.3\text{ k}\Omega \leq R_{\text{LIM}} \leq 80.6\text{ k}\Omega$.
IN	1	I	Input voltage; connect a $0.1\text{ }\mu\text{F}$ or greater ceramic capacitor from IN to GND as close to the IC as possible.
OUT	6	O	Power-switch output

6 Specifications

6.1 Absolute Maximum Ratings

over operating free-air temperature range unless otherwise noted^{(1) (2)}

	MIN	TYP	MAX	UNIT
Voltage range on IN, OUT, EN, ILIM, $\overline{\text{FAULT}}$	-0.3		7	V
Voltage range from IN to OUT	-7		7	V
I_{OUT} Continuous output current	Internally limited			
Continuous total power dissipation	See "Thermal Information Table"			
$\overline{\text{FAULT}}$ sink current		25		mA
ILIM source current		1		mA
T_J Operating junction temperature range	-40		150	°C
T_{Sg} Storage temperature range	-65		150	°C
Lead temperature 1.6 mm (1/16-inch) from case for 10 seconds		300		°C

- (1) Operation outside the Absolute Maximum Ratings may cause permanent device damage. Absolute Maximum Ratings do not imply functional operation of the device at these or any other conditions beyond those listed under Recommended Operating Conditions. If used outside the Recommended Operating Conditions but within the Absolute Maximum Ratings, the device may not be fully functional, and this may affect device reliability, functionality, performance, and shorten the device lifetime.
- (2) Voltages are referenced to GND unless otherwise noted.

6.2 ESD Ratings

		VALUE	UNIT
$V_{(ESD)}$ Electrostatic discharge	Human body model (HBM), per ANSI/ESDA/ JEDEC JS-001, all pins	2000	V
	Charged device model (CDM), per JEDEC specification JS-002, all pins	1500	

6.3 Recommended Operating Conditions

		MIN	MAX	UNIT
V_{IN}	Input voltage, IN	2.5	6.5	V
V_{EN}	Enable voltage	0	6.5	V
I_{OUT}	Continuous output current, OUT	0	1.1	A
R_{ILIM}	Current-limit set resistor from ILIM to GND	14.3	80.6	k Ω
I_{FAULT}	FAULT sink current	0	10	mA
T_J	Operating junction temperature	-40	125	$^{\circ}$ C

6.4 Thermal Information

BOARD	PACKAGE	THERMAL RESISTANCE θ_{JA}	THERMAL RESISTANCE θ_{JC}	$T_A \leq 25^{\circ}$ C POWER RATING	DERATING FACTOR ABOVE $T_A = 25^{\circ}$ C	$T_A = 70^{\circ}$ C POWER RATING	$T_A = 85^{\circ}$ C POWER RATING
Low-K ⁽¹⁾	DBV	350 $^{\circ}$ C/W	55 $^{\circ}$ C/W	285 mW	2.85 mW/ $^{\circ}$ C	155 mW	114 mW
High-K ⁽²⁾	DBV	160 $^{\circ}$ C/W	55 $^{\circ}$ C/W	625 mW	6.25 mW/ $^{\circ}$ C	340 mW	250 mW

- (1) The JEDEC low-K (1s) board used to derive this data was a 3-in \times 3-in, two-layer board with 2-oz copper traces on top of the board.
(2) The JEDEC high-K (2s2p) board used to derive this data was a 3-in \times 3-in, multilayer board with 1-oz internal power and ground planes and 2-oz copper traces on top and bottom of the board.

6.5 Electrical Characteristics

over recommended operating junction temperature range, $2.5\text{ V} \leq V_{IN} \leq 6.5\text{ V}$, $R_{ILIM} = 14.3\text{ k}\Omega$, $V_{EN} = 5.0\text{ V}$ (unless otherwise noted)

PARAMETER		TEST CONDITIONS ⁽¹⁾	MIN	TYP	MAX	UNIT
POWER SWITCH						
$r_{DS(on)}$	Static drain-source on-state resistance	$T_J = 25^{\circ}$ C -40 $^{\circ}$ C \leq $T_J \leq$ 125 $^{\circ}$ C		94	100	m Ω
t_r	Rise time, output	$V_{IN} = 6.5\text{ V}$ $V_{IN} = 2.5\text{ V}$		1.0 0.65	1.5 1.0	ms
t_f	Fall time, output	$V_{IN} = 6.5\text{ V}$ $V_{IN} = 2.5\text{ V}$		0.2 0.2	0.5 0.5	ms
ENABLE INPUT EN OR EN						
V_{IH}	High-level input voltage		1.1			V
V_{IL}	Low-level input voltage				0.66	V
I_{EN}	Input current	$V_{EN} = 0\text{ V}$ or 6.5 V	-0.5		0.5	μ A
t_{on}	Turnon time	$C_L = 1\text{ }\mu$ F, $R_L = 100\text{ }\Omega$, (see Figure 7-1)			3.6	ms
t_{off}	Turnoff time				3	ms
CURRENT LIMIT						
I_{OS}	Short-circuit current, OUT connected to GND	$R_{ILIM} = 80.6\text{ k}\Omega$	160	265	350	mA
		$R_{ILIM} = 38.3\text{ k}\Omega$	350	550	700	
		$R_{ILIM} = 15\text{ k}\Omega$	1100	1450	1700	
I_{OC}	Current-limit threshold (maximum dc output current I_{OUT} delivered to load)	$R_{ILIM} = 80.6\text{ k}\Omega$	340	365	390	mA
		$R_{ILIM} = 38.3\text{ k}\Omega$	670	715	755	
		$R_{ILIM} = 15\text{ k}\Omega$	1600	1700	1800	
t_{IOS}	Response time to short circuit	$V_{IN} = 5.0\text{ V}$ (see Figure 7-2)		2		μ s
REVERSE-VOLTAGE PROTECTION						

6.5 Electrical Characteristics (continued)

over recommended operating junction temperature range, $2.5\text{ V} \leq V_{IN} \leq 6.5\text{ V}$, $R_{ILIM} = 14.3\text{ k}\Omega$, $V_{EN} = 5.0\text{ V}$ (unless otherwise noted)

PARAMETER		TEST CONDITIONS ⁽¹⁾	MIN	TYP	MAX	UNIT
Reverse-voltage comparator trip point ($V_{OUT} - V_{IN}$)			95	135	190	mV
Time from reverse-voltage condition to MOSFET turn off		$V_{IN} = 5.0\text{ V}$	3	5	7	ms
SUPPLY CURRENT						
I_{IN_off}	Supply current, low-level output	$V_{IN} = 6.5\text{ V}$, No load on OUT, $V_{EN} = 0\text{ V}$, $14.3\text{ k}\Omega \leq R_{ILIM} \leq 80.6\text{ k}\Omega$		0.1	1	μA
I_{IN_on}	Supply current, high-level output	$V_{IN} = 6.5\text{ V}$, No load on OUT, $V_{EN} = 6.5\text{ V}$	$R_{ILIM} = 15\text{ k}\Omega$		150	μA
			$R_{ILIM} = 80.6\text{ k}\Omega$		130	
I_{REV}	Reverse leakage current	$V_{OUT} = 6.5\text{ V}$, $V_{IN} = 0\text{ V}$, $T_J = 25^\circ\text{C}$		0.01	1	μA
UNDERVOLTAGE LOCKOUT						
V_{UVLO}	Low-level input voltage, IN	V_{IN} rising		2.35	2.45	V
	Hysteresis, IN	$T_J = 25^\circ\text{C}$		25		mV
FAULT FLAG						
V_{OL}	Output low voltage, FAULT	$I_{FAULT} = 1\text{ mA}$			180	mV
	Off-state leakage	$V_{FAULT} = 6.5\text{ V}$			1	μA
	$\overline{\text{FAULT}}$ deglitch	FAULT assertion or deassertion due to overcurrent condition	5	7.5	10	ms
		FAULT assertion or deassertion due to reverse-voltage condition	2	4	6	
THERMAL SHUTDOWN						
	Thermal shutdown threshold		155			$^\circ\text{C}$
	Thermal shutdown threshold in current-limit		135			$^\circ\text{C}$
	Hysteresis			15		$^\circ\text{C}$

(1) Pulse-testing techniques maintain junction temperature close to ambient temperature; thermal effects must be taken into account separately.

6.6 Typical Characteristics

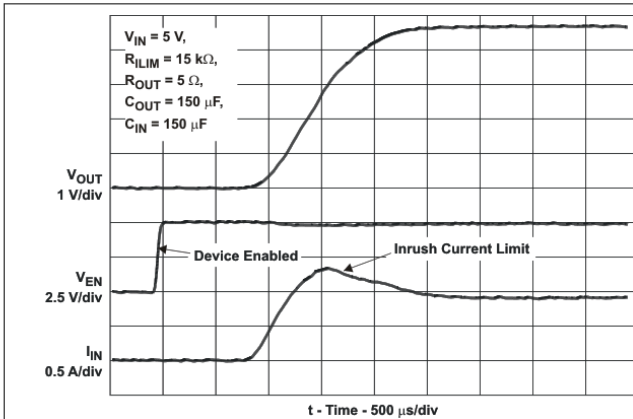


Figure 6-1. Turnon Delay and Rise Time

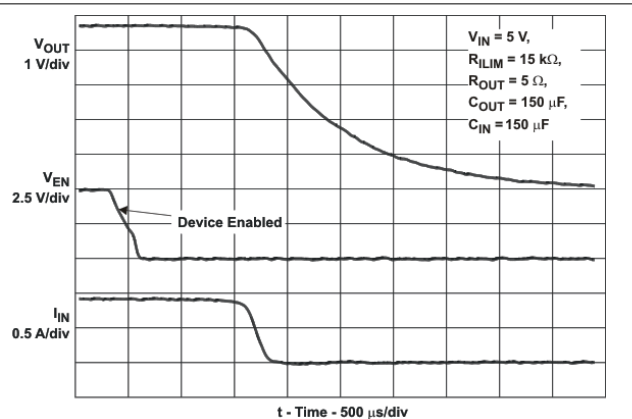


Figure 6-2. Turnoff Delay and Fall Time

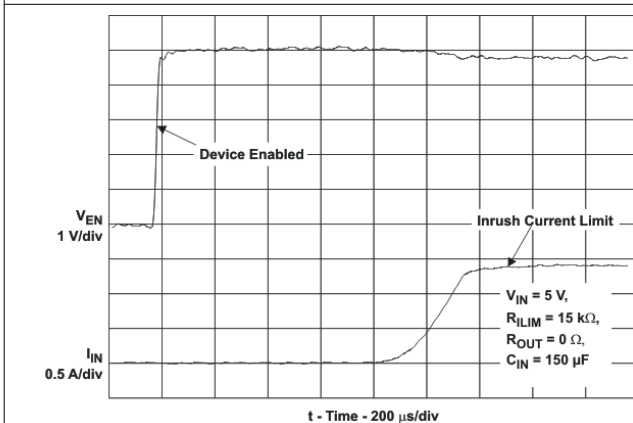


Figure 6-3. Device Enabled into Short-Circuit

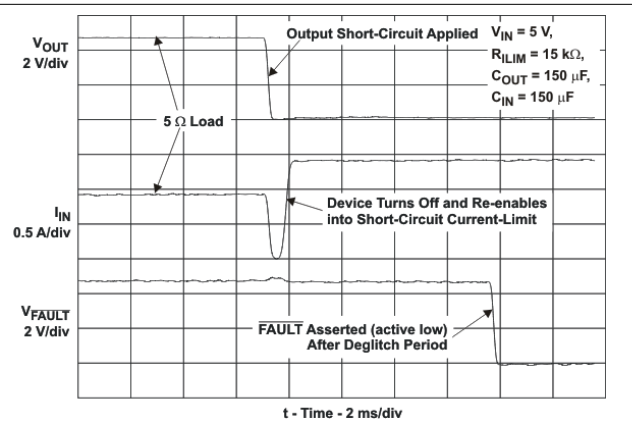


Figure 6-4. Full-Load to Short-Circuit Transient Response

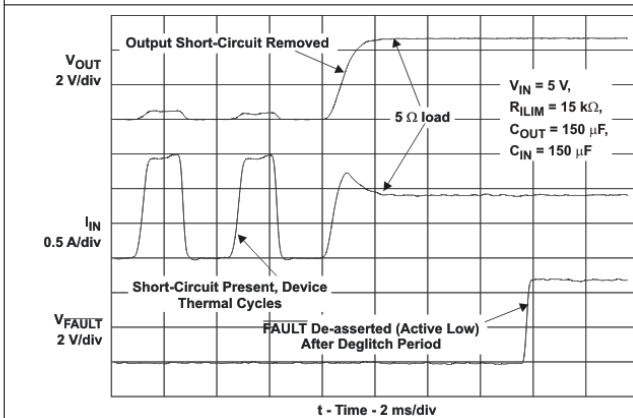


Figure 6-5. Short-Circuit to Full-Load Recovery Response

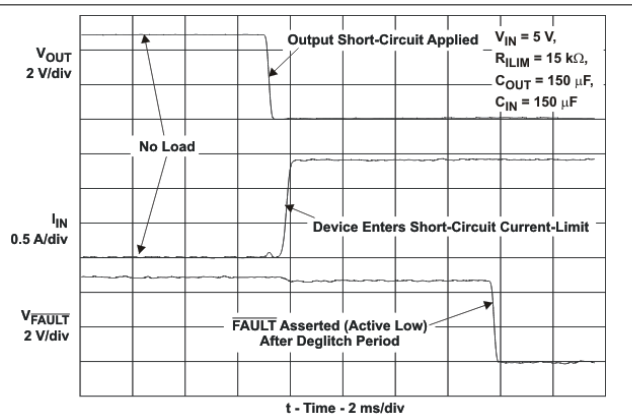


Figure 6-6. No-Load to Short-Circuit Transient Response

6.6 Typical Characteristics (continued)

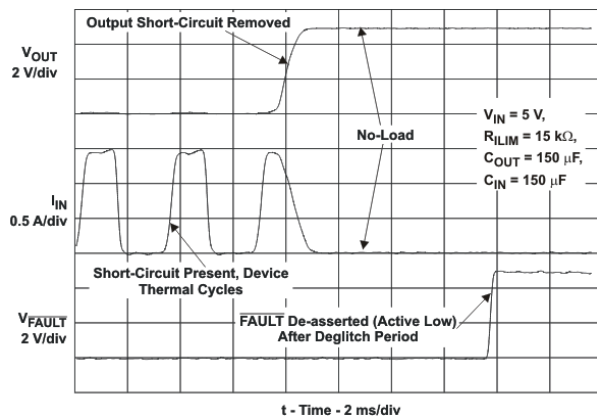


Figure 6-7. Short-Circuit to No-Load Recovery Response

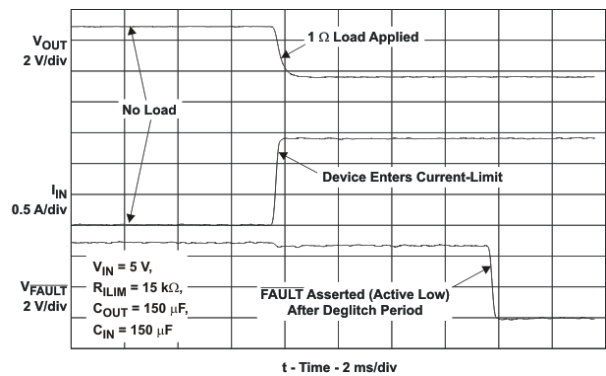


Figure 6-8. No Load to 1Ω Transient Response

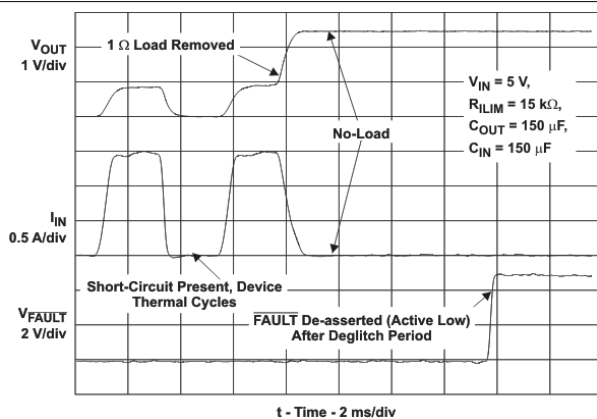


Figure 6-9. 1Ω to No Load Transient Response

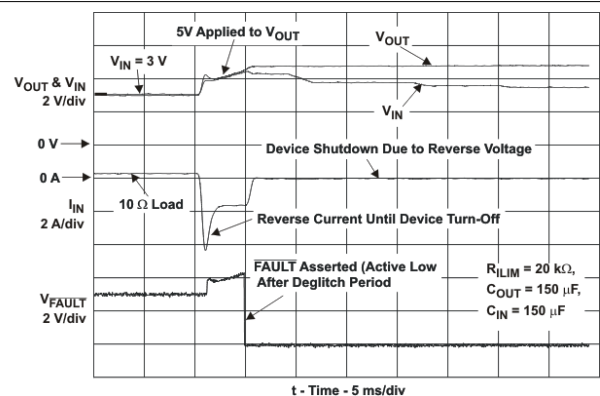


Figure 6-10. Reverse-Voltage Protection Response

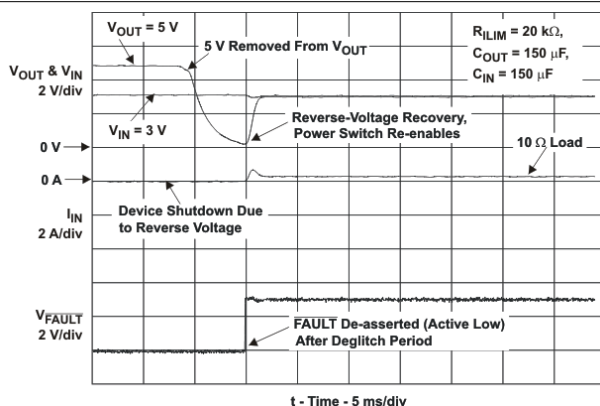


Figure 6-11. Reverse-Voltage Protection Recovery

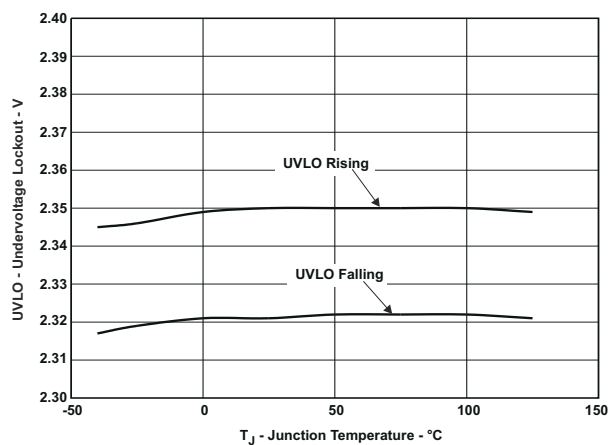


Figure 6-12. UVLO – Undervoltage Lockout – V

6.6 Typical Characteristics (continued)

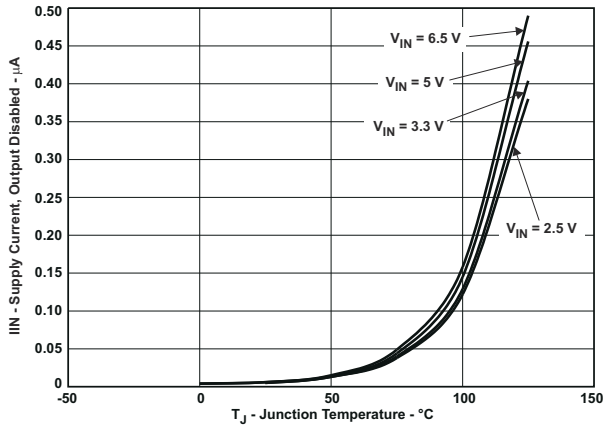


Figure 6-13. I_{IN} – Supply Current, Output Disabled – μA

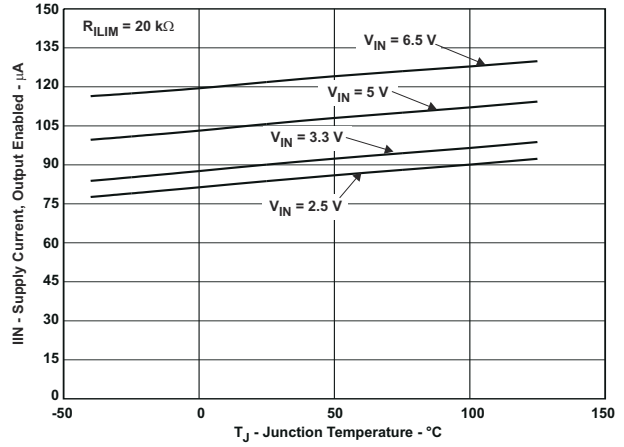


Figure 6-14. I_{IN} – Supply Current, Output Enabled – μA

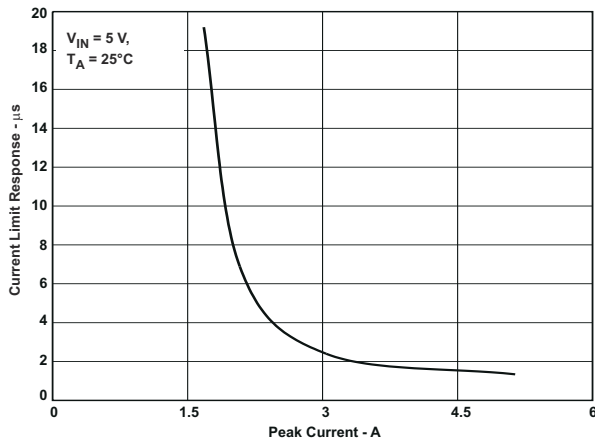


Figure 6-15. Current Limit Response – μs

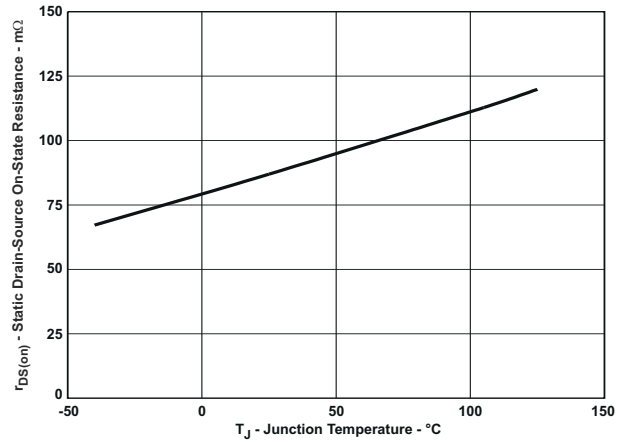


Figure 6-16. MOSFET r_{DS(on)} Vs. Junction Temperature

7 Parameter Measurement Information

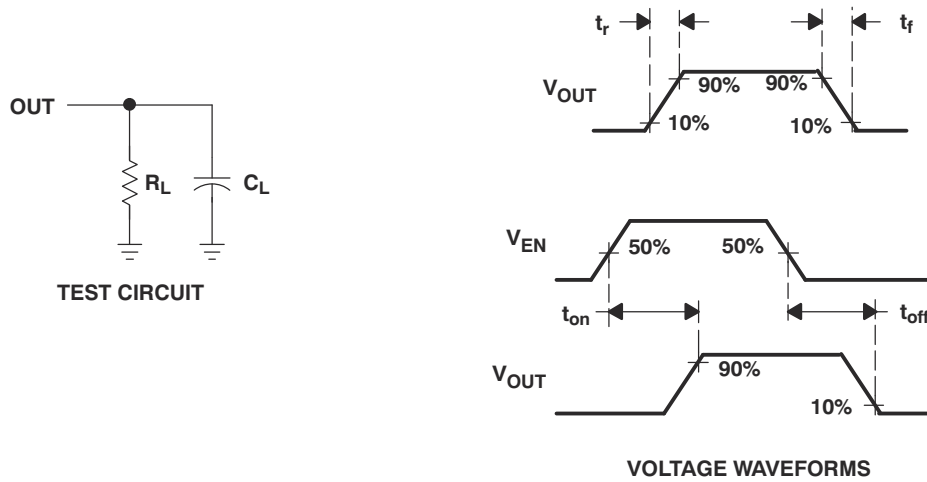


Figure 7-1. Test Circuit and Voltage Waveforms

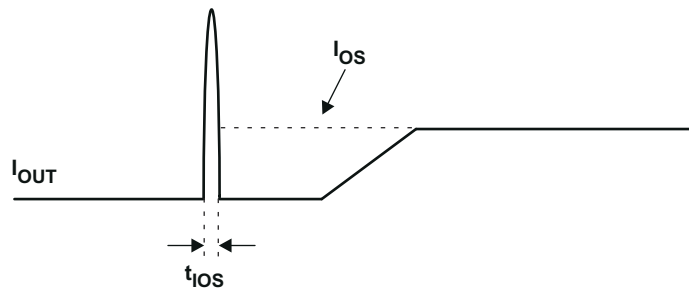


Figure 7-2. Response Time to Short-Circuit Waveform

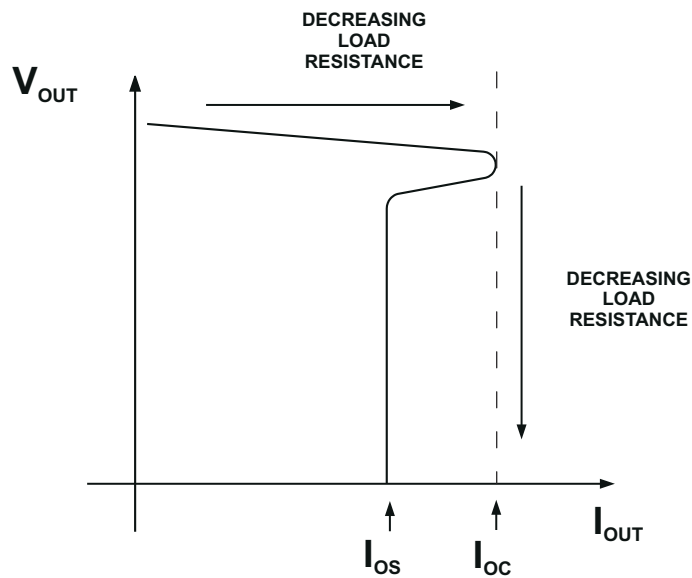


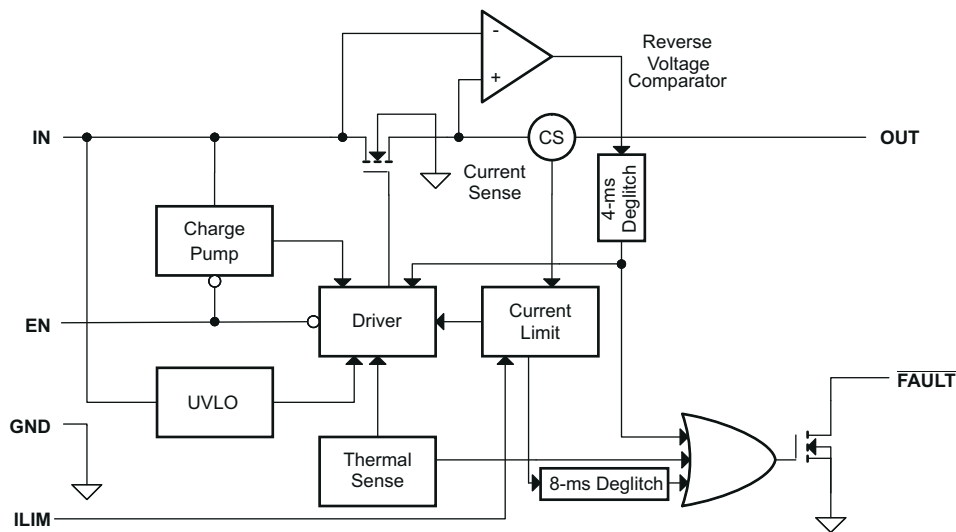
Figure 7-3. Output Voltage vs. Current-Limit Threshold

8 Detailed Description

8.1 Overview

The TPS2551 is a current-limited power-distribution switch that uses N-channel MOSFETs for applications where short-circuits or heavy capacitive loads are encountered. This device allows the user to program the current-limit threshold between 100 mA and 1.1 A via an external resistor. Additional device shutdown features include overtemperature protection and reverse-voltage protection. The device incorporates an internal charge pump and gate drive circuitry necessary to drive the N-channel MOSFET. The charge pump supplies power to the driver circuit and provides the necessary voltage to pull the gate of the MOSFET above the source. The charge pump operates from input voltages as low as 2.5 V and requires little supply current. The driver controls the gate voltage of the power switch. The driver incorporates circuitry that controls the rise and fall times of the output voltage to limit large current and voltage surges and provide built-in soft-start functionality.

8.2 Functional Block Diagram



8.3 Feature Description

8.3.1 Overcurrent

The TPS2551 responds to an overcurrent condition by limiting its output current to the I_{OC} and I_{OS} levels shown in Figure 8-1. Three response profiles are possible depending on the loading conditions and are summarized in Figure 7-3.

One response profile occurs if the TPS2551 is enabled into a short-circuit. The output voltage is held near zero potential with respect to ground and the TPS2551 ramps the output current to I_{OS} (see Figure 6-3).

A second response profile occurs if a short is applied to the output after the TPS2551 is enabled. The device responds to the overcurrent condition within time t_{IOS} (see Figure 7-2). The current-sense amplifier is overdriven during this time and momentarily disables the internal current-limit MOSFET. The current-sense amplifier gradually recovers and limits the output current to I_{OS} .

A third response profile occurs if the load current gradually increases. The device first limits the load current to I_{OC} . If the load demands a current greater than I_{OC} , the TPS2551 folds back the current to I_{OS} and the output voltage decreases to $I_{OS} \times R_{LOAD}$ for a resistive load, which is shown in Figure 7-3.

The TPS2551 thermal cycles if an overload condition is present long enough to activate thermal limiting in any of the above cases. The device turns off when the junction temperature exceeds 135°C (typ). The device remains off until the junction temperature cools 15°C (typ) and then restarts. The TPS2551 cycles on/off until the overload is removed (see Figure 6-5 and Figure 6-7) .

8.3.2 Reverse-Voltage Protection

The reverse-voltage protection feature turns off the N-channel MOSFET whenever the output voltage exceeds the input voltage by 135 mV (typical) for 4-ms preventing the damage to devices on the input side of the TPS2551. This reverse-voltage protection also prevents further damage by lessening the chance that the significant current sinks into the input capacitance. The N-channel MOSFET is allowed to turn-on once the output voltage goes below the input voltage for the same 4-ms deglitch time. The reverse-voltage comparator also asserts the $\overline{\text{FAULT}}$ output (active-low) after 4-ms.

8.3.3 $\overline{\text{FAULT}}$ Response

The $\overline{\text{FAULT}}$ open-drain output is asserted (active low) during an overcurrent, overtemperature or reverse-voltage condition. The output remains asserted until the fault condition is removed. The TPS2551 is designed to eliminate false $\overline{\text{FAULT}}$ reporting by using an internal delay "deglitch" circuit for overcurrent (7.5-ms) and reverse-voltage (4-ms) conditions without the need for external circuitry. This design ensures that $\overline{\text{FAULT}}$ is not accidentally asserted due to normal operation such as starting into a heavy capacitive load. The deglitch circuitry delays entering and leaving fault conditions. Overtemperature conditions are not deglitched and assert the $\overline{\text{FAULT}}$ signal immediately.

8.3.4 Undervoltage Lockout (UVLO)

The undervoltage lockout (UVLO) circuit disables the power switch until the input voltage reaches the UVLO turn-on threshold. Built-in hysteresis prevents unwanted on/off cycling due to input voltage drop from large current surges.

8.3.5 Enable (EN)

The logic enable controls the power switch, bias for the charge pump, driver, and other circuits to reduce the supply current. The supply current is reduced to less than 1- μA when a logic high is present on $\overline{\text{EN}}$ or when a logic low is present on EN. A logic low input on $\overline{\text{EN}}$ or a logic high input on EN enables the driver, control circuits, and power switch. The enable input is compatible with both TTL and CMOS logic levels.

8.3.6 Thermal Sense

The TPS2551 protects itself with two independent thermal sensing circuits that monitor the operating temperature of the power-switch and disables operation if the temperature exceeds recommended operating conditions. The device operates in constant-current mode during an overcurrent conditions, which increases the voltage drop across power-switch. The power dissipation in the package is proportional to the voltage drop across the power-switch, so the junction temperature rises during an overcurrent condition. The first thermal sensor turns off the power-switch when the die temperature exceeds 135°C and the part is in current limit. The second thermal sensor turns off the power-switch when the die temperature exceeds 155°C regardless of whether the power-switch is in current limit. Hysteresis is built into both thermal sensors, and the switch turns on after the device has cooled approximately 15°C. The switch continues to cycle off and on until the fault is removed. The open-drain false reporting output $\overline{\text{FAULT}}$ is asserted (active low) immediately during an overtemperature shutdown condition.

8.3.7 Device Functional Modes

There are no other functional modes.

8.4 Programming

8.4.1 Programming the Current-Limit Threshold

The overcurrent threshold is user programmable via an external resistor. Many applications require that the minimum current-limit is above a certain current level or that the maximum current-limit is below a certain current level, so it is important to consider the tolerance of the overcurrent threshold when selecting a value for R_{ILIM} . The following equations and [Figure 8-1](#) can be used to calculate the resulting overcurrent threshold for a given external resistor value (R_{ILIM}). [Figure 8-1](#) includes current-limit tolerance due to variations caused by temperature and process. Ensure that the traces routing the R_{ILIM} resistor to the TPS2551 are as short as possible to reduce parasitic effects on the current-limit accuracy.

There are two important current-limit thresholds for the device and are related by Figure 7-3. The first threshold is the short-circuit current threshold I_{OS} . I_{OS} is the current delivered to the load if the part is enabled into a short-circuit or a short-circuit is applied during normal operation. The second threshold is the overcurrent threshold I_{OC} . I_{OC} is the peak dc current that can be delivered to the load before the device begins to limit current. I_{OC} is important if ramped loads or slow transients are common to the application. It is important to consider both I_{OS} and I_{OC} when choosing R_{ILIM} . R_{ILIM} can be selected to provide a current-limit threshold that occurs 1) above a minimum load current or 2) below a maximum load current.

To design above a minimum current-limit threshold, find the intersection of R_{ILIM} and the maximum desired load current on the $I_{OS(min)}$ curve and choose a value of R_{ILIM} below this value. Programming the current-limit above a minimum threshold is important to ensure start-up into full-load or heavy capacitive loads. The resulting maximum dc load current is the intersection of the selected value of R_{ILIM} and the $I_{OC(max)}$ curve.

To design below a maximum dc current level, find the intersection of R_{ILIM} and the maximum desired load current on the $I_{OC(max)}$ curve and choose a value of R_{ILIM} above this value. Programming the current-limit below a maximum threshold is important to avoid current-limiting upstream power supplies causing the input voltage bus to droop. The resulting minimum short-circuit current is the intersection of the selected value of R_{ILIM} and the $I_{OS(min)}$ curve.

Overcurrent threshold equations (I_{OC}):

- $I_{OC(max)} \text{ (mA)} = (24500 \text{ V}) / (R_{ILIM} \text{ k}\Omega)^{0.975} + 50$
- $I_{OC(typ)} \text{ (mA)} = (23800 \text{ V}) / (R_{ILIM} \text{ k}\Omega)^{0.985} + 50$
- $I_{OC(min)} \text{ (mA)} = (23100 \text{ V}) / (R_{ILIM} \text{ k}\Omega)^{0.996} + 50$

Short-circuit current equations (I_{OS}):

- $I_{OS(max)} \text{ (mA)} = (25500 \text{ V}) / (R_{ILIM} \text{ k}\Omega)^{1.013} + 50$
- $I_{OS(typ)} \text{ (mA)} = (28700 \text{ V}) / (R_{ILIM} \text{ k}\Omega)^{1.114} + 50$
- $I_{OS(min)} \text{ (mA)} = (39700 \text{ V}) / (R_{ILIM} \text{ k}\Omega)^{1.342} + 50$

where $14.3 \text{ k}\Omega \leq R_{ILIM} \leq 80.6 \text{ k}\Omega$. $I_{OS(typ)}$ and $I_{OS(max)}$ are not plotted to improve graph clarity.

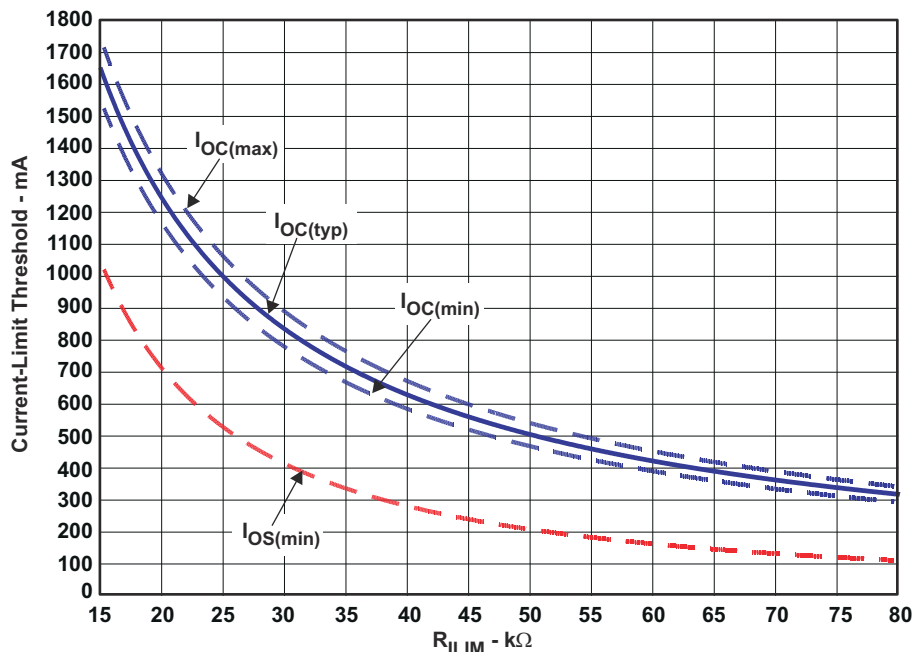


Figure 8-1. Current-Limit Threshold vs R_{ILIM}

9 Application and Implementation

Note

Information in the following applications sections is not part of the TI component specification, and TI does not warrant its accuracy or completeness. TI's customers are responsible for determining suitability of components for their purposes. Customers should validate and test their design implementation to confirm system functionality.

9.1 Application Information

The TPS2551-Q1 current-limited power switch uses N-channel MOSFETs in applications requiring continuous load current. The device enters constant-current mode when the load exceeds the current limit threshold.

9.2 Typical Application

9.2.1 Two-Level Current-Limit Circuit

Some applications require different current-limit thresholds depending on external system conditions. [Figure 9-1](#) shows an implementation for an externally controlled, two-level current-limit circuit. The current-limit threshold is set by the total resistance from ILIM to GND (see previously discussed "[Programming the Current-Limit Threshold](#)" section). A logic-level input enables/disables MOSFET Q1 and changes the current-limit threshold by modifying the total resistance from ILIM to GND. Additional MOSFETs/resistor combinations can be used in parallel to Q1/R2 to increase the number of additional current-limit levels.

Note

Do not drive the ILIM directly with an external signal.

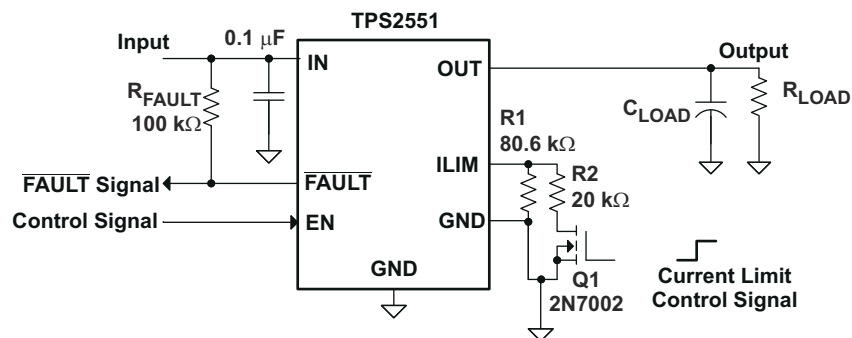


Figure 9-1. Two-Level Current-Limit Circuit

9.2.2 Design Requirements

For this example, use the parameters shown in [Table 9-1](#).

Table 9-1. Design Requirements

PARAMETER	VALUE
Input voltage	5 V
Output voltage	5 V
Above a minimum current limit	1000 mA
Below a maximum current limit	1250 mA

9.2.3 Detail Design Procedure

9.2.3.1 Designing Above a Minimum Current Limit

Some applications require that current-limiting cannot occur below a certain threshold. For this example, assume that 1 A must be delivered to the load so that the minimum desired current-limit threshold is 1000 mA. Use the I_{OS} equations and Figure 8-1 to select R_{ILIM} .

- $I_{OS(min)} \text{ (mA)} = 1000 \text{ mA}$
- $I_{OS(min)} \text{ (mA)} = (39700 \text{ V}) / (R_{ILIM} \text{ (k}\Omega))^{1.342} + 50$
- $R_{ILIM} \text{ (k}\Omega) = [(39700 \text{ V}) / (I_{OS(min)} \text{ (mA)} - 50)]^{1/1.342}$
- $R_{ILIM} = 16.14 \text{ k}\Omega$

Select the closest 1% resistor less than the calculated value: $R_{ILIM} = 16 \text{ k}\Omega$. This selection sets the minimum current-limit threshold at 1 A. Use the I_{OC} equations, Figure 8-1, and the previously calculated value for R_{ILIM} to calculate the maximum resulting current-limit threshold.

- $R_{ILIM} = 16 \text{ k}\Omega$
- $I_{OC(max)} \text{ (mA)} = (24500 \text{ V}) / (R_{ILIM} \text{ (k}\Omega))^{0.975} + 50$
- $I_{OC(max)} \text{ (mA)} = (24500 \text{ V}) / (16 \text{ (k}\Omega))^{0.975} + 50$
- $I_{OC(max)} = 1691 \text{ mA}$

The resulting maximum current-limit threshold is 1.69 A with a 16-k Ω resistor.

9.2.3.2 Designing Below a Maximum Current Limit

Some applications require that current-limiting must occur below a certain threshold. For this example, assume that the desired upper current-limit threshold must be below 1.25 A to protect an up-stream power supply. Use the I_{OC} equations and Figure 8-1 to select R_{ILIM} .

- $I_{OC(max)} \text{ (mA)} = 1250 \text{ mA}$
- $I_{OC(max)} \text{ (mA)} = (24500 \text{ V}) / (R_{ILIM} \text{ (k}\Omega))^{0.975} + 50$
- $R_{ILIM} \text{ (k}\Omega) = [(24500 \text{ V}) / (I_{OC(max)} \text{ (mA)} - 50)]^{1/0.975}$
- $R_{ILIM} = 22.05 \text{ k}\Omega$

Select the closest 1% resistor greater than the calculated value: $R_{ILIM} = 22 \text{ k}\Omega$. This selection sets the maximum current-limit threshold at 1.25 A. Use the I_{OS} equations, Figure 8-1, and the previously calculated value for R_{ILIM} to calculate the minimum resulting current-limit threshold.

- $R_{ILIM} = 22 \text{ k}\Omega$
- $I_{OS(min)} \text{ (mA)} = (39700 \text{ V}) / (R_{ILIM} \text{ (k}\Omega))^{1.342} + 50$
- $I_{OS(min)} \text{ (mA)} = (39700 \text{ V}) / (22 \text{ (k}\Omega))^{1.342} + 50$
- $I_{OS(min)} = 677 \text{ mA}$

The resulting minimum current-limit threshold is 677 mA with a 22-k Ω resistor.

9.2.3.3 Input and Output Capacitance

Input and output capacitance improve the performance of the device; optimize the actual capacitance for the particular application. For all applications, a 0.01 μF to 0.1 μF ceramic bypass capacitor between IN and GND is recommended as close to the device as possible for local noise de-coupling. This precaution reduces ringing on the input due to power-supply transients. Additional input capacitance may be needed on the input to reduce voltage overshoot from exceeding the absolute maximum voltage of the device during heavy transients. This additional input capacitance is especially important during bench testing when long, inductive cables are used to connect the evaluation board to the bench power-supply.

Placing a high-value electrolytic capacitor on the output pin is recommended when the large transient currents are expected on the output. Additionally, bypassing the output with a 0.01 μF to 0.1 μF ceramic capacitor improves the immunity of the device to short-circuit transients.

9.2.4 Auto-Retry Functionality

Some applications require that an overcurrent condition disables the part momentarily during a fault condition and re-enables after a pre-set time. This *auto-retry* functionality can be implemented with an external resistor and capacitor. During a fault condition, $\overline{\text{FAULT}}$ pulls low disabling the part. The part is disabled when EN is pulled low, and $\overline{\text{FAULT}}$ goes high impedance allowing C_{RETRY} to begin charging. The part re-enables when the

voltage on EN reaches the turnon threshold, and the auto-retry time is determined by the resistor/capacitor time constant. The part continues to cycle in this manner until the fault condition is removed.

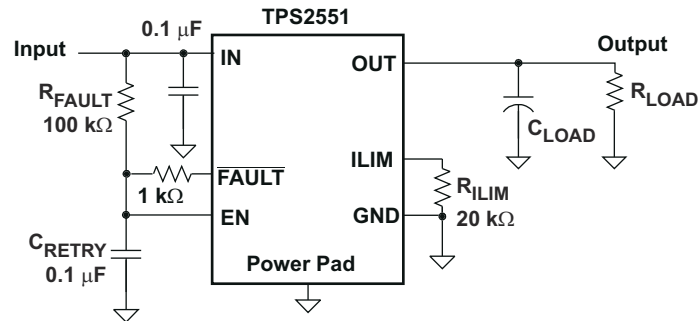


Figure 9-2. Auto-Retry Functionality

Some applications require auto-retry functionality and the ability to enable/disable with an external logic signal. The [Figure 9-3](#) below shows how an external logic signal can drive EN through R_{FAULT} and maintain auto-retry functionality. The resistor/capacitor time constant determines the auto-retry time-out period.

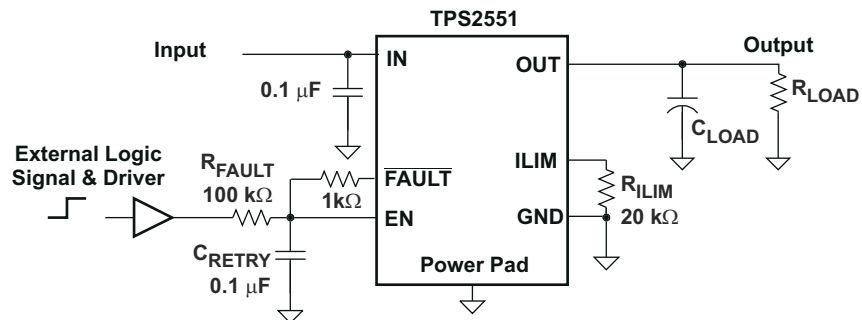


Figure 9-3. Auto-Retry Functionality With External EN Signal

9.2.5 Latch-Off Functionality

The circuit in Figure 9-4 uses an SN74HC00 quad-NAND gate to implement overcurrent latch-off. The SN74HC00 high-speed CMOS logic gate is selected because it operates over the 2.5-V to 6.5-V range of the TPS2551.

This circuit is designed to work with the active-high TPS2551. ENABLE must be logic low during start-up until V_{IN} is stable to ensure that the switch initializes in the OFF state. A logic high on ENABLE turns on the switch after V_{IN} is stable. \overline{FAULT} momentarily pulls low during an overcurrent condition, which latches \overline{STAT} logic low and disables the switch. The host can monitor \overline{STAT} for an overcurrent condition. Toggling ENABLE resets \overline{STAT} and re-enables the switch.

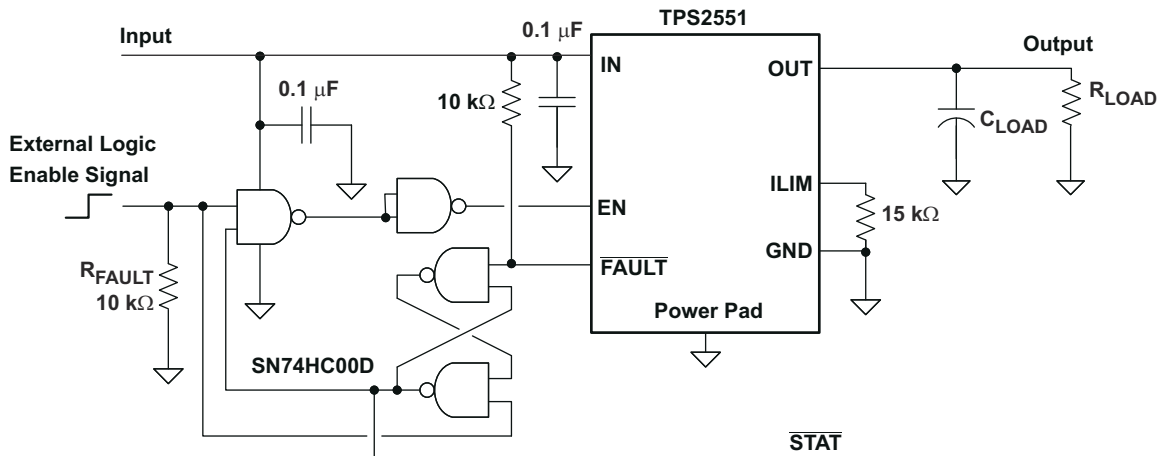


Figure 9-4. Overcurrent Latch-Off Using a Quad-NAND Gate

9.2.6 Typical Application as USB Power Switch

9.2.6.1 Design Requirements

For this example, use the parameters shown in Table 9-2.

Table 9-2. Design Requirements

PARAMETER	VALUE
Input voltage	5 V
Output voltage	5 V
Current	1250 mA

9.2.6.1.1 USB Power-Distribution Requirements

USB can be implemented in several ways regardless of the type of USB device being developed. Several power-distribution features must be implemented.

- SPHs must:
 - Current-limit downstream ports
 - Report overcurrent conditions
- BPHs must:
 - Enable/disable power to downstream ports
 - Power up at <100 mA
 - Limit inrush current (<44 Ω and 10 μF)
- Functions must:
 - Limit inrush currents
 - Power up at <100 mA

The feature set of the TPS2551 meets each of these requirements. The integrated current-limiting and overcurrent reporting is required by self-powered hubs. The logic-level enable and controlled rise times meet the need of both input and output ports on bus-powered hubs and the input ports for bus-powered functions.

9.2.6.2 Detail Design Procedure

9.2.6.2.1 Universal Serial Bus (USB) Power-Distribution Requirements

One application for this device is for current-limiting in universal serial bus (USB) applications. The original USB interface was a 12-Mb/s or 1.5-Mb/s, multiplexed serial bus designed for low-to-medium bandwidth PC peripherals (e.g., keyboards, printers, scanners, and mice). As the demand for more bandwidth increased, the USB 2.0 standard was introduced increasing the maximum data rate to 480-Mb/s. The four-wire USB interface is conceived for dynamic attach-detach (hot plug-unplug) of peripherals. Two lines are provided for differential data, and two lines are provided for 5-V power distribution.

USB data is a 3.3-V level signal, but power is distributed at 5 V to allow for voltage drops in cases where power is distributed through more than one hub across long cables. Each function must provide its own regulated 3.3 V from the 5-V input or its own internal power supply. The USB specification classifies two different classes of devices depending on its maximum current draw. A device classified as low-power can draw up to 100 mA as defined by the standard. A device classified as high-power can draw up to 500 mA. It is important that the minimum current-limit threshold of the current-limiting power-switch exceed the maximum current-limit draw of the intended application. Always reference the latest USB standard when considering the current-limit threshold

The USB specification defines two types of devices as hubs and functions. A USB hub is a device that contains multiple ports for different USB devices to connect and can be self-powered (SPH) or bus-powered (BPH). A function is a USB device that is able to transmit or receive data or control information over the bus. A USB function can be embedded in a USB hub. A USB function can be one of three types included in the list below.

- Low-power, bus-powered function
- High-power, bus-powered function
- Self-powered function

SPHs and BPHs distribute data and power to downstream functions. The TPS2551 has higher current capability than required for a single USB port allowing it to power multiple downstream ports.

9.3 Power Supply Recommendations

9.3.1 Self-Powered and Bus-Powered Hubs

A SPH has a local power supply that powers embedded functions and downstream ports. This power supply must provide between 4.75 V to 5.25 V to downstream facing devices under full-load and no-load conditions. SPHs are required to have current-limit protection and must report overcurrent conditions to the USB controller. Typical SPHs are desktop PCs, monitors, printers, and stand-alone hubs.

A BPH obtains all power from an upstream port and often contains an embedded function. The BPH must power up with less than 100 mA. The BPH usually has one embedded function, and power is always available to the controller of the hub. If the embedded function and hub require more than 100 mA on power up, the power to the embedded function may need to be kept off until enumeration is completed. To keep the embedded function power off, remove power or shut off the clock to the embedded function. Power switching the embedded function is not necessary if the aggregate power draw for the function and controller is less than 100 mA. The total current drawn by the bus-powered device is the sum of the current to the controller, the embedded function, and the downstream ports, and it is limited to 500 mA from an upstream port.

9.3.2 Low-Power Bus-Powered and High-Power Bus-Powered Functions

Both low-power and high-power bus-powered functions obtain all power from upstream ports. Low-power functions always draw less than 100 mA; high-power functions must draw less than 100 mA at power up and can draw up to 500 mA after enumeration. If the load of the function is more than the parallel combination of 44 Ω and 10 μ F at power up, the device must implement inrush current limiting.

9.3.3 Power Dissipation and Junction Temperature

The low on-resistance of the N-channel MOSFET allows small surface-mount packages to pass large currents. It is good design practice to estimate power dissipation and junction temperature. The below analysis gives an approximation for calculating junction temperature based on the power dissipation in the package. However, it is important to note that thermal analysis is strongly dependent on additional system level factors. Such factors include air flow, board layout, copper thickness and surface area, and proximity to other devices dissipating power. Good thermal design practice must include all system level factors in addition to individual component analysis.

Begin by determining the $r_{DS(on)}$ of the N-channel MOSFET relative to the input voltage and operating temperature. As an initial estimate, use the highest operating ambient temperature of interest and read $r_{DS(on)}$ from the typical characteristics graph. Using this value, the power dissipation can be calculated by:

$$P_D = r_{DS(on)} \times I_{OUT}^2$$

Where:

P_D = Total power dissipation (W)

$r_{DS(on)}$ = Power switch on-resistance (Ω)

I_{OUT} = Maximum current-limit threshold (A)

This step calculates the total power dissipation of the N-channel MOSFET.

Finally, calculate the junction temperature:

$$T_J = P_D \times R_{\theta JA} + T_A$$

Where:

T_A = Ambient temperature ($^{\circ}\text{C}$)

$R_{\theta JA}$ = Thermal resistance ($^{\circ}\text{C}/\text{W}$)

P_D = Total power dissipation (W)

Compare the calculated junction temperature with the initial estimate. If they are not within a few degrees, repeat the calculation using the "refined" $r_{DS(on)}$ from the previous calculation as the new estimate. Two or three iterations are generally sufficient to achieve the desired result. The final junction temperature is highly dependent on thermal resistance $R_{\theta JA}$, and thermal resistance is highly dependent on the individual package and board layout. The ["Thermal Information Table"](#) at the beginning of this document provides example thermal resistances for specific packages and board layouts.

9.4 Layout

9.4.1 Layout Guidelines

- TI recommends placing the 100-nF bypass capacitor near the IN and GND pins, and make the connections using a low-inductance trace.
- TI recommends placing a high-value electrolytic capacitor and a 100-nF bypass capacitor on the output pin when large transient currents are expected on the output.
- The traces routing the RILIM resistor to the device must be as short as possible to reduce parasitic effects on the current limit accuracy.
- The PowerPAD must be directly connected to PCB ground plane using wide and short copper trace.

9.4.2 Layout Example

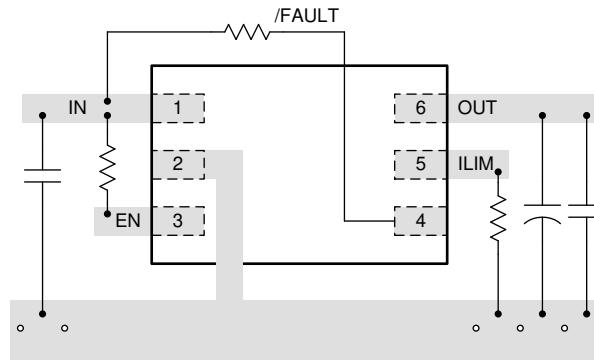


Figure 9-5. Layout Recommendation

10 Device and Documentation Support

TI offers an extensive line of development tools. Tools and software to evaluate the performance of the device, generate code, and develop solutions are listed below.

10.1 Receiving Notification of Documentation Updates

To receive notification of documentation updates, navigate to the device product folder on ti.com. Click on *Subscribe to updates* to register and receive a weekly digest of any product information that has changed. For change details, review the revision history included in any revised document.

10.2 Support Resources

[TI E2E™ support forums](#) are an engineer's go-to source for fast, verified answers and design help — straight from the experts. Search existing answers or ask your own question to get the quick design help you need.

Linked content is provided "AS IS" by the respective contributors. They do not constitute TI specifications and do not necessarily reflect TI's views; see TI's [Terms of Use](#).

10.3 Trademarks

TI E2E™ is a trademark of Texas Instruments.
All trademarks are the property of their respective owners.

10.4 Electrostatic Discharge Caution



This integrated circuit can be damaged by ESD. Texas Instruments recommends that all integrated circuits be handled with appropriate precautions. Failure to observe proper handling and installation procedures can cause damage.

ESD damage can range from subtle performance degradation to complete device failure. Precision integrated circuits may be more susceptible to damage because very small parametric changes could cause the device not to meet its published specifications.

10.5 Glossary

[TI Glossary](#) This glossary lists and explains terms, acronyms, and definitions.

11 Mechanical, Packaging, and Orderable Information

The following pages include mechanical, packaging, and orderable information. This information is the most current data available for the designated devices. This data is subject to change without notice and revision of this document. For browser-based versions of this data sheet, refer to the left-hand navigation.

PACKAGING INFORMATION

Orderable Device	Status (1)	Package Type	Package Drawing	Pins	Package Qty	Eco Plan (2)	Lead finish/ Ball material (6)	MSL Peak Temp (3)	Op Temp (°C)	Device Marking (4/5)	Samples
TPS2551QDBVRQ1	NRND	SOT-23	DBV	6	3000	RoHS & Green	NIPDAU	Level-1-260C-UNLIM	-40 to 125	PIUQ	

(1) The marketing status values are defined as follows:

ACTIVE: Product device recommended for new designs.

LIFEBUY: TI has announced that the device will be discontinued, and a lifetime-buy period is in effect.

NRND: Not recommended for new designs. Device is in production to support existing customers, but TI does not recommend using this part in a new design.

PREVIEW: Device has been announced but is not in production. Samples may or may not be available.

OBSELETE: TI has discontinued the production of the device.

(2) **RoHS:** TI defines "RoHS" to mean semiconductor products that are compliant with the current EU RoHS requirements for all 10 RoHS substances, including the requirement that RoHS substance do not exceed 0.1% by weight in homogeneous materials. Where designed to be soldered at high temperatures, "RoHS" products are suitable for use in specified lead-free processes. TI may reference these types of products as "Pb-Free".

RoHS Exempt: TI defines "RoHS Exempt" to mean products that contain lead but are compliant with EU RoHS pursuant to a specific EU RoHS exemption.

Green: TI defines "Green" to mean the content of Chlorine (Cl) and Bromine (Br) based flame retardants meet JS709B low halogen requirements of <=1000ppm threshold. Antimony trioxide based flame retardants must also meet the <=1000ppm threshold requirement.

(3) MSL, Peak Temp. - The Moisture Sensitivity Level rating according to the JEDEC industry standard classifications, and peak solder temperature.

(4) There may be additional marking, which relates to the logo, the lot trace code information, or the environmental category on the device.

(5) Multiple Device Markings will be inside parentheses. Only one Device Marking contained in parentheses and separated by a "-" will appear on a device. If a line is indented then it is a continuation of the previous line and the two combined represent the entire Device Marking for that device.

(6) Lead finish/Ball material - Orderable Devices may have multiple material finish options. Finish options are separated by a vertical ruled line. Lead finish/Ball material values may wrap to two lines if the finish value exceeds the maximum column width.

Important Information and Disclaimer:The information provided on this page represents TI's knowledge and belief as of the date that it is provided. TI bases its knowledge and belief on information provided by third parties, and makes no representation or warranty as to the accuracy of such information. Efforts are underway to better integrate information from third parties. TI has taken and continues to take reasonable steps to provide representative and accurate information but may not have conducted destructive testing or chemical analysis on incoming materials and chemicals. TI and TI suppliers consider certain information to be proprietary, and thus CAS numbers and other limited information may not be available for release.

In no event shall TI's liability arising out of such information exceed the total purchase price of the TI part(s) at issue in this document sold by TI to Customer on an annual basis.

OTHER QUALIFIED VERSIONS OF TPS2551-Q1 :

- Catalog : [TPS2551](#)

NOTE: Qualified Version Definitions:

- Catalog - TI's standard catalog product

TAPE AND REEL INFORMATION



QUADRANT ASSIGNMENTS FOR PIN 1 ORIENTATION IN TAPE



*All dimensions are nominal

Device	Package Type	Package Drawing	Pins	SPQ	Reel Diameter (mm)	Reel Width W1 (mm)	A0 (mm)	B0 (mm)	K0 (mm)	P1 (mm)	W (mm)	Pin1 Quadrant
TPS2551QDBVRQ1	SOT-23	DBV	6	3000	179.0	8.4	3.2	3.2	1.4	4.0	8.0	Q3

TAPE AND REEL BOX DIMENSIONS



*All dimensions are nominal

Device	Package Type	Package Drawing	Pins	SPQ	Length (mm)	Width (mm)	Height (mm)
TPS2551QDBVRQ1	SOT-23	DBV	6	3000	200.0	183.0	25.0

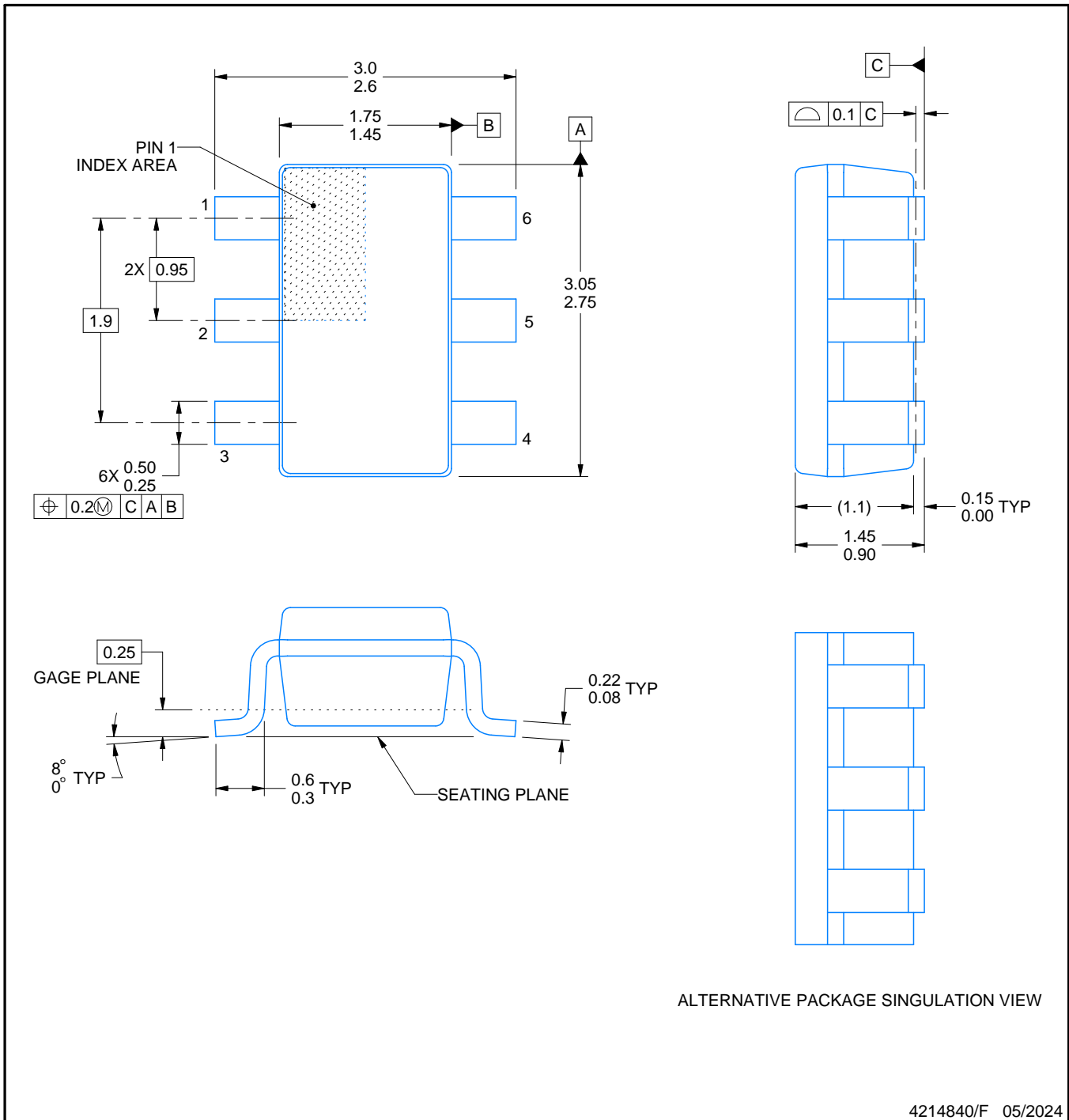


DBV0006A

PACKAGE OUTLINE

SOT-23 - 1.45 mm max height

SMALL OUTLINE TRANSISTOR



NOTES:

1. All linear dimensions are in millimeters. Any dimensions in parenthesis are for reference only. Dimensioning and tolerancing per ASME Y14.5M.
2. This drawing is subject to change without notice.
3. Body dimensions do not include mold flash or protrusion. Mold flash and protrusion shall not exceed 0.25 per side.
4. Leads 1,2,3 may be wider than leads 4,5,6 for package orientation.
5. Reference JEDEC MO-178.

EXAMPLE BOARD LAYOUT

DBV0006A

SOT-23 - 1.45 mm max height

SMALL OUTLINE TRANSISTOR



LAND PATTERN EXAMPLE
EXPOSED METAL SHOWN
SCALE:15X



SOLDER MASK DETAILS

4214840/F 05/2024

NOTES: (continued)

- 6. Publication IPC-7351 may have alternate designs.
- 7. Solder mask tolerances between and around signal pads can vary based on board fabrication site.

EXAMPLE STENCIL DESIGN

DBV0006A

SOT-23 - 1.45 mm max height

SMALL OUTLINE TRANSISTOR



SOLDER PASTE EXAMPLE
BASED ON 0.125 mm THICK STENCIL
SCALE:15X

4214840/F 05/2024

NOTES: (continued)

8. Laser cutting apertures with trapezoidal walls and rounded corners may offer better paste release. IPC-7525 may have alternate design recommendations.
9. Board assembly site may have different recommendations for stencil design.

IMPORTANT NOTICE AND DISCLAIMER

TI PROVIDES TECHNICAL AND RELIABILITY DATA (INCLUDING DATA SHEETS), DESIGN RESOURCES (INCLUDING REFERENCE DESIGNS), APPLICATION OR OTHER DESIGN ADVICE, WEB TOOLS, SAFETY INFORMATION, AND OTHER RESOURCES "AS IS" AND WITH ALL FAULTS, AND DISCLAIMS ALL WARRANTIES, EXPRESS AND IMPLIED, INCLUDING WITHOUT LIMITATION ANY IMPLIED WARRANTIES OF MERCHANTABILITY, FITNESS FOR A PARTICULAR PURPOSE OR NON-INFRINGEMENT OF THIRD PARTY INTELLECTUAL PROPERTY RIGHTS.

These resources are intended for skilled developers designing with TI products. You are solely responsible for (1) selecting the appropriate TI products for your application, (2) designing, validating and testing your application, and (3) ensuring your application meets applicable standards, and any other safety, security, regulatory or other requirements.

These resources are subject to change without notice. TI grants you permission to use these resources only for development of an application that uses the TI products described in the resource. Other reproduction and display of these resources is prohibited. No license is granted to any other TI intellectual property right or to any third party intellectual property right. TI disclaims responsibility for, and you will fully indemnify TI and its representatives against, any claims, damages, costs, losses, and liabilities arising out of your use of these resources.

TI's products are provided subject to [TI's Terms of Sale](#) or other applicable terms available either on [ti.com](https://www.ti.com) or provided in conjunction with such TI products. TI's provision of these resources does not expand or otherwise alter TI's applicable warranties or warranty disclaimers for TI products.

TI objects to and rejects any additional or different terms you may have proposed.

Mailing Address: Texas Instruments, Post Office Box 655303, Dallas, Texas 75265
Copyright © 2024, Texas Instruments Incorporated