

TXS0104V-Q1 Automotive 4-Bit Bi-Directional, Level-Shifting, Voltage Translator for Open-Drain and Push-Pull Applications

1 Features

- Qualified for automotive applications
- AEC-Q100 qualified with the following results:
 - Device temperature grade 1: 40°C to +125°C ambient operating temperature range
 - Device HBM ESD Classification Level 2
 - Device CDM ESD Classification Level C6
- No direction-control signal needed
- Maximum data rates:
 - 24Mbps (push pull)
 - 2Mbps (open drain)
- 1.65V to 3.6V on A port and 2.3V to 5.5V on B port ($V_{CCA} \leq V_{CCB}$)
- No power-supply sequencing required – V_{CCA} or V_{CCB} can be ramped first
- ESD protection exceeds JESD 22:
 - A port:
 - 2000V Human-Body Model (A114-B)
 - 500V Charged-Device Model (C101)
 - B port:
 - 5000V Human-Body Model (A114-B)
 - 500V Charged-Device Model (C101)

2 Applications

- [Automotive infotainment, advance driver assistance systems \(ADAS\)](#)
- Isolates and level translates between main processor and peripheral modules
- I²C or 1-wire voltage-level translation

3 Description

This 4-bit non-inverting translator uses two separate configurable power-supply rails. The A port is designed to track V_{CCA} . V_{CCA} accepts any supply voltage from 1.65V to 3.6V. V_{CCA} must be less than or equal to V_{CCB} . The B port is designed to track V_{CCB} . V_{CCB} accepts any supply voltage from 2.3V to 5.5V. This allows for low-voltage bidirectional translation between any of the 1.8V, 2.5V, 3.3V, and 5V voltage nodes.

When the output-enable (OE) input is low, all outputs are placed in the high-impedance state.

The TXS0104V-Q1 is designed so that the OE input circuit is supplied by V_{CCA} .

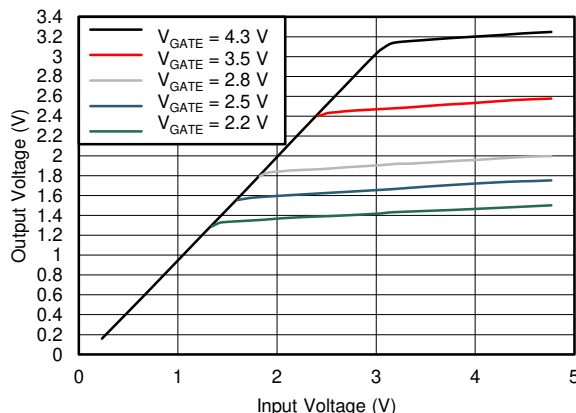
For the high-impedance state during power up or power down, tie OE to GND through a pull-down resistor; the current-sourcing capability of the driver determines the minimum value of the resistor.

Package Information

PART NUMBER	PACKAGE ⁽¹⁾	PACKAGE SIZE ⁽²⁾
TXS0104V-Q1	PW (TSSOP, 14)	5mm × 6.4mm
	BQA (WQFN, 12)	3mm × 2.5mm
	RUT (UQFN, 12)	2mm × 1.7mm

(1) For more information, see [Section 11](#).

(2) The package size (length × width) is a nominal value and includes pins, where applicable.



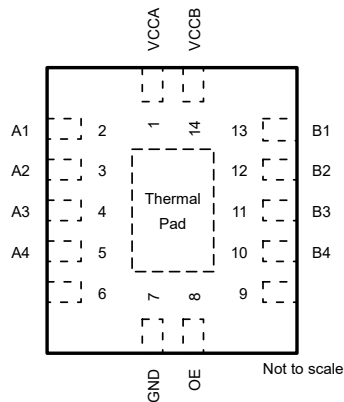
Transfer Characteristics of an N-Channel Transistor



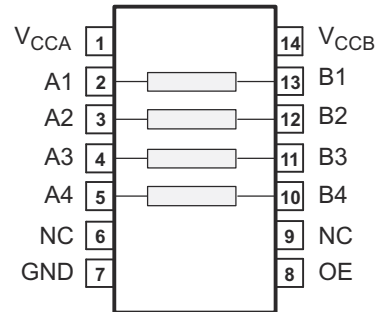
Table of Contents

1 Features	1	7.1 Overview.....	13
2 Applications	1	7.2 Functional Block Diagram.....	13
3 Description	1	7.3 Feature Description.....	14
4 Pin Configuration and Functions	3	7.4 Device Functional Modes.....	14
5 Specifications	5	8 Application and Implementation	15
5.1 Absolute Maximum Ratings.....	5	8.1 Application Information.....	15
5.2 ESD Ratings.....	5	8.2 Typical Application.....	15
5.3 Recommended Operating Conditions.....	5	8.3 Power Supply Recommendations.....	17
5.4 Thermal Information (PW, BQA, RUT).....	6	8.4 Layout.....	17
5.5 Electrical Characteristics.....	6	9 Device and Documentation Support	18
5.6 Switching Characteristics, $V_{CCA} = 1.8 \pm 0.15V$	7	9.1 Documentation Support.....	18
5.7 Switching Characteristics, $V_{CCA} = 2.5 \pm 0.2V$	7	9.2 Receiving Notification of Documentation Updates... 18	
5.8 Switching Characteristics, $V_{CCA} = 3.3 \pm 0.3V$	8	9.3 Support Resources.....	18
5.9 Switching Characteristics: T_{sk} , T_{MAX}	9	9.4 Trademarks.....	18
5.10 Typical Characteristics.....	9	9.5 Electrostatic Discharge Caution.....	18
6 Parameter Measurement Information	11	9.6 Glossary.....	18
6.1 Load Circuits.....	11	10 Revision History	18
6.2 Voltage Waveforms.....	12	11 Mechanical, Packaging, and Orderable Information	18
7 Detailed Description	13		

4 Pin Configuration and Functions



NC - No internal connection
Figure 4-1. BQA Package, 14-Pin WQFN (Top View)



NC - No internal connection
Figure 4-2. PW Package, 14-Pin TSSOP (Top View)

Table 4-1. Pin Functions: BQA, or PW

PIN		TYPE ⁽¹⁾	DESCRIPTION
NAME	NO.		
A1	2	I/O	Input/output A1. Referenced to V_{CCA} .
A2	3	I/O	Input/output A2. Referenced to V_{CCA} .
A3	4	I/O	Input/output A3. Referenced to V_{CCA} .
A4	5	I/O	Input/output A4. Referenced to V_{CCA} .
B1	13	I/O	Input/output B1. Referenced to V_{CCB} .
B2	12	I/O	Input/output B2. Referenced to V_{CCB} .
B3	11	I/O	Input/output B3. Referenced to V_{CCB} .
B4	10	I/O	Input/output B4. Referenced to V_{CCB} .
GND	7	—	Ground
OE	8	I	3-state output-mode enable. Pull OE low to place all outputs in 3-state mode. Referenced to V_{CCA} .
V_{CCA}	1	—	A-port supply voltage. $1.65V \leq V_{CCA} \leq 3.6V$ and $V_{CCA} \leq V_{CCB}$.
V_{CCB}	14	—	B-port supply voltage. $2.3V \leq V_{CCB} \leq 5.5V$.
Thermal Pad		—	For the RGY package, the exposed center thermal pad must be connected to ground

(1) I = input, O = output

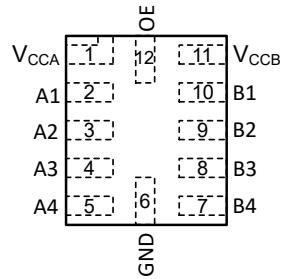


Figure 4-3. RUT Package, 12-Pin UQFN (Transparent Top View)

Table 4-2. Pin Functions: RUT

PIN		TYPE ⁽¹⁾	DESCRIPTION
NAME	NO.		
A1	2	I/O	Input/output A1. Referenced to V_{CCA} .
A2	3	I/O	Input/output A2. Referenced to V_{CCA} .
A3	4	I/O	Input/output A3. Referenced to V_{CCA} .
A4	5	I/O	Input/output A4. Referenced to V_{CCA} .
B1	10	I/O	Input/output B1. Referenced to V_{CCB} .
B2	9	I/O	Input/output B2. Referenced to V_{CCB} .
B3	8	I/O	Input/output B3. Referenced to V_{CCB} .
B4	7	I/O	Input/output B4. Referenced to V_{CCB} .
GND	6	—	Ground
OE	12	I	3-state output-mode enable. Pull OE low to place all outputs in 3-state mode. Referenced to V_{CCA} .
V_{CCA}	1	—	A-port supply voltage. $1.65V \leq V_{CCA} \leq 3.6V$ and $V_{CCA} \leq V_{CCB}$.
V_{CCB}	11	—	B-port supply voltage. $2.3V \leq V_{CCB} \leq 5.5V$.

(1) I = input, O = output

5 Specifications

5.1 Absolute Maximum Ratings

over operating free-air temperature range (unless otherwise noted)⁽¹⁾

			MIN	MAX	UNIT		
V _{CCA}	Supply voltage A		-0.5	4.6	V		
V _{CCB}	Supply voltage B		-0.5	6.5	V		
V _I	Input Voltage ⁽²⁾	I/O Ports (A Port)	-0.5	4.6	V		
		I/O Ports (B Port)	-0.5	6.5			
		OE	-0.5	4.6			
V _O	Voltage applied to any output in the high-impedance or power-off state ⁽²⁾	A Port	-0.5	4.6	V		
		B Port	-0.5	6.5			
V _O	Voltage applied to any output in the high or low state ^{(2) (3)}	A Port	-0.5	V _{CCA} + 0.5	V		
		B Port	-0.5	V _{CCB} + 0.5			
I _{IK}	Input clamp current	V _I < 0		-50	mA		
I _{OK}	Output clamp current	V _O < 0		-50	mA		
I _O	Continuous output current			-50	50	mA	
	Continuous current through V _{CC} or GND			-100	100	mA	
T _J	Junction Temperature				150	°C	
T _{stg}	Storage temperature				-65	150	°C

- (1) Operation outside the *Absolute Maximum Rating* may cause permanent device damage. *Absolute Maximum Rating* do not imply functional operation of the device at these or any other conditions beyond those listed under *Recommended Operating Condition*. If used outside the *Recommended Operating Condition* but within the *Absolute Maximum Rating*, the device may not be fully functional, and this may affect device reliability, functionality, performance, and shorten the device lifetime.
- (2) The input voltage and output negative-voltage ratings may be exceeded if the input and output current ratings are observed.
- (3) The output positive-voltage rating may be exceeded up to 6.5V maximum if the output current rating is observed.

5.2 ESD Ratings

			VALUE	UNIT
V _(ESD)	Electrostatic discharge	Human body model (HBM), per AEC Q100-002 ⁽¹⁾	±2500	V
		Charged device model (CDM), per AEC Q100-011	±1500	

- (1) AEC Q100-002 indicates that HBM stressing shall be in accordance with the ANSI/ESDA/JEDEC JS-001 specification

5.3 Recommended Operating Conditions

over operating free-air temperature range (unless otherwise noted) ^{(1) (2) (3)}

		V _{CCA}	V _{CCB}	MIN	MAX	UNIT		
V _{CCA}	Supply voltage A			1.65	3.6	V		
V _{CCB}	Supply voltage B			2.3	5.5	V		
V _{IH}	High-level input voltage	A-port I/O's	1.65V to 1.95V	2.3V to 5.5V	V _{CCI} - 0.2	V _{CCI}	V	
			2.3V to 3.6V	2.3V to 5.5V	V _{CCI} - 0.4	V _{CCI}		
		B-port I/O's	1.65V to 3.6V	2.3V to 5.5V	V _{CCI} - 0.4	V _{CCI}		
			OE Input	1.65V to 3.6V	2.3V to 5.5V	V _{CCA} × 0.65		5.5
V _{IL}	Low-level input voltage	A-port I/O's	1.65V to 3.6V	2.3V to 5.5V		0.2	V	
		B-port I/O's	1.65V to 3.6V	2.3V to 5.5V		0.2		
		OE Input	1.65V to 3.6V	2.3V to 5.5V		V _{CCA} × 0.35		
Δt/Δv	Input transition rise and fall time	Push-Pull Driving	1.65V to 3.6V	2.3V to 5.5V		10	ns/V	
T _A	Operating free-air temperature					-40	125	°C

- (1) V_{CCI} is the V_{CC} associated with the input port.
- (2) V_{CCO} is the V_{CC} associated with the output port.
- (3) All control inputs and data I/Os of this device have weak pulldowns to ensure the line is not floating when undefined external to the device. The input leakage from these weak pulldowns is defined by the I_I specification indicated under [Electrical Characteristics](#).

5.4 Thermal Information (PW, BQA, RUT)

THERMAL METRIC ⁽¹⁾		TXS0104V-Q1	TXS0104V-Q1	TXS0104V-Q1	UNIT
		PW (TSSOP)	BQA (WQFN)	RUT (UQFN)	
		14 PINS	14 PINS	12 PINS	
R _{θJA}	Junction-to-ambient thermal resistance	115.2	73.5	150.4	°C/W
R _{θJC(top)}	Junction-to-case (top) thermal resistance	46.2	76.9	68.6	°C/W
R _{θJB}	Junction-to-board thermal resistance	70.9	43.0	76.3	°C/W
Y _{JT}	Junction-to-top characterization parameter	3.4	4.7	2.4	°C/W
Y _{JB}	Junction-to-board characterization parameter	70.2	42.9	76.2	°C/W
R _{θJC(bottom)}	Junction-to-case (bottom) thermal resistance	N/A	19.6	N/A	°C/W

(1) For more information about traditional and new thermal metrics, see the [Semiconductor and IC Package Thermal Metrics](#) application report.

5.5 Electrical Characteristics

over operating free-air temperature range (unless otherwise noted)⁽¹⁾ (2)

PARAMETER		TEST CONDITIONS	V _{CCA}	V _{CCB}	Operating free-air temperature (T _A)									UNIT
					25°C			–40°C to 85°C			–40°C to 125°C			
					MIN	TYP	MAX	MIN	TYP	MAX	MIN	TYP	MAX	
V _{OHA}	Port A output high voltage (3)	I _{OH} = –20μA	1.65V to 3.6V	1.65V to 5.5V	V _{CCA} x 0.8			V _{CCA} x 0.8			V _{CCA} x 0.8			V
			1.65V to 3.6V	1.65V to 5.5V	V _{CCA} x 0.8			V _{CCA} x 0.8			V _{CCA} x 0.8			
V _{OHB}	Port B output high voltage	I _{OH} = –20μA	1.65V to 3.6V	1.65V to 5.5V	V _{CCB} x 0.8			V _{CCB} x 0.8			V _{CCB} x 0.8			V
			1.65V to 3.6V	1.65V to 5.5V	V _{CCB} x 0.8			V _{CCB} x 0.8			V _{CCB} x 0.8			
V _{OL}	Low-level output voltage (4)	I _{OL} = 1mA	1.65V to 3.6V	1.65V to 5.5V	0.4			0.4			0.4			V
I _I	Input leakage current	OE V _I = V _{CC} or GND	1.65V to 3.6V	1.65V to 5.5V	–2 2			–2 2			–2 2			μA
I _{OZ}	Tri-state output current	A or B Port: V _I = V _{CC1} or GND V _O = V _{CC0} or GND OE = GND	1.65V to 3.6V	1.65V to 5.5V	–1 1			–2 2			–3 3			μA
I _{CCA}	V _{CCA} supply current	V _I = V _{CC1} or GND I _O = 0	1.65V to V _{CCB}	2.3V to 5.5V	2.4			3.3			6.2			μA
			0V	5.5V	–3			–3						
			3.6V	0V	2.2			2.2			2.2			
I _{CCB}	V _{CCB} supply current	V _I = V _{CC1} or GND I _O = 0	1.65V to V _{CCB}	2.3V to 5.5V	12			12			21			μA
			0V	5.5V	5			5			8			
			3.6V	0V	–1			–1			–1			
I _{CCA} + I _{CCB}	Combined supply current	V _I = V _{CC1} or GND I _O = 0	1.65V to V _{CCB}	2.3V to 5.5V	14.4			14.4			25			μA
C _i	Control Input Capacitance	V _I = 3.3V or GND	3.3V	3.3V	6			6			6			pF
C _{io}	Data I/O Capacitance	A or B Port:	3.3V	3.3V	5 6.5			12 16.5			12 16.5			pF

- (1) V_{CC1} is the V_{CC} associated with the input port
(2) V_{CC0} is the V_{CC} associated with the output port
(3) Tested at V_I = V_{T+(MAX)}

(4) Tested at $V_I = V_{T-(MIN)}$

5.6 Switching Characteristics, $V_{CCA} = 1.8 \pm 0.15V$

over operating free-air temperature range (unless otherwise noted)

PARAMETER		FROM	TO	Test Conditions	B-Port Supply Voltage (V_{CCB})						UNIT			
					2.5 ± 0.2V			3.3 ± 0.3V				5.0 ± 0.5V		
					MIN	TYP	MAX	MIN	TYP	MAX		MIN	TYP	MAX
t_{PHL}	Propagation Delay (High-to-Low)	A	B	Push-Pull	4			4			5			ns
t_{PHL}	Propagation Delay (High-to-Low)			Open-Drain	8.8			9.6			10			ns
t_{PLH}	Propagation Delay (Low-to-High)			Push-Pull	6			6			6			ns
t_{PLH}	Propagation Delay (Low-to-High)			Open-Drain	200			160			120			ns
t_{PHL}	Propagation Delay (High-to-Low)	B	A	Push-Pull	4			4			4			ns
t_{PHL}	Propagation Delay (High-to-Low)			Open-Drain	5.3			4.4			4.1			ns
t_{PLH}	Propagation Delay (Low-to-High)			Push-Pull	5			4			4			ns
t_{PLH}	Propagation Delay (Low-to-High)			Open-Drain	173			120			90			ns
t_{en}	Enable Time	OE	A or B	-40°C to 125°C	200			200			200			ns
t_{dis}	Disable Time	OE	A or B	-40°C to 125°C	250			250			250			ns
t_{rA}	Output Rise Time	B	A	Push-Pull	9			9			7			ns
t_{rA}	Output Rise Time			Open-Drain	150			120			80			ns
t_{rB}	Output Rise Time	A	B	Push-Pull	10			9			7			ns
t_{rB}	Output Rise Time			Open-Drain	145			106			58			ns
t_{fA}	Output Fall Time	B	A	Push-Pull	5			5			5			ns
t_{fA}	Output Fall Time			Open-Drain	6			6			6			ns
t_{fB}	Output Fall Time	A	B	Push-Pull	7			7			8			ns
t_{fB}	Output Fall Time			Open-Drain	13			16			16			ns

5.7 Switching Characteristics, $V_{CCA} = 2.5 \pm 0.2V$

over operating free-air temperature range (unless otherwise noted)

PARAMETER		FROM	TO	Test Conditions	B-Port Supply Voltage (V_{CCB})						UNIT			
					2.5 ± 0.2V			3.3 ± 0.3V				5.0 ± 0.5V		
					MIN	TYP	MAX	MIN	TYP	MAX		MIN	TYP	MAX
t_{PHL}	Propagation Delay (High-to-Low)	A	B	Push-Pull	3			3.4			5			ns
t_{PHL}	Propagation Delay (High-to-Low)			Open-Drain	6.3			6			5.8			ns
t_{PHL}	Propagation Delay (High-to-Low)			Push-Pull	3			4			4			ns
t_{PHL}	Propagation Delay (High-to-Low)			Open-Drain	200			160			120			ns
t_{PHL}	Propagation Delay (High-to-Low)	B	A	Push-Pull	3			3			4			ns
t_{PHL}	Propagation Delay (High-to-Low)			Open-Drain	4.7			4.2			4			ns
t_{PHL}	Propagation Delay (High-to-Low)			Push-Pull	2.1			2			1.9			ns
t_{PHL}	Propagation Delay (High-to-Low)			Open-Drain	173			120			90			ns
t_{en}	Enable Time	OE	A or B	-40°C to 125°C	200			200			200			ns

5.7 Switching Characteristics, $V_{CCA} = 2.5 \pm 0.2V$ (continued)

over operating free-air temperature range (unless otherwise noted)

PARAMETER		FROM	TO	Test Conditions	B-Port Supply Voltage (V_{CCB})						UNIT			
					$2.5 \pm 0.2V$			$3.3 \pm 0.3V$				$5.0 \pm 0.5V$		
					MIN	TYP	MAX	MIN	TYP	MAX		MIN	TYP	MAX
t_{dis}	Disable Time	OE	A or B	-40°C to 125°C	250			250			250			ns
t_{rA}	Output Rise Time	B	A	Push-Pull	7			6			5			ns
t_{rA}	Output Rise Time			Open-Drain	149			101			63			ns
t_{rB}	Output Rise Time	A	B	Push-Pull	8			7			6			ns
t_{rB}	Output Rise Time			Open-Drain	150			101			63			ns
t_{fA}	Output Fall Time	B	A	Push-Pull	5.1			5.2			5			ns
t_{fA}	Output Fall Time			Open-Drain	6			6			5			ns
t_{fB}	Output Fall Time	A	B	Push-Pull	7			6.4			8.7			ns
t_{fB}	Output Fall Time			Open-Drain	8			9			10			ns

5.8 Switching Characteristics, $V_{CCA} = 3.3 \pm 0.3V$

over operating free-air temperature range (unless otherwise noted)

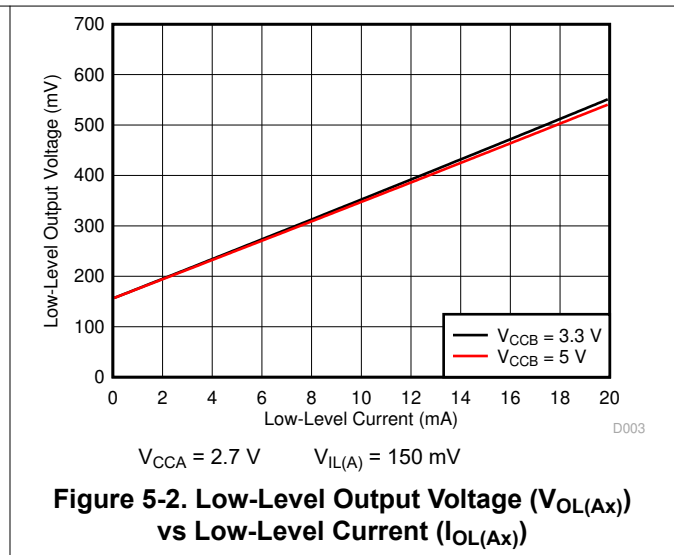
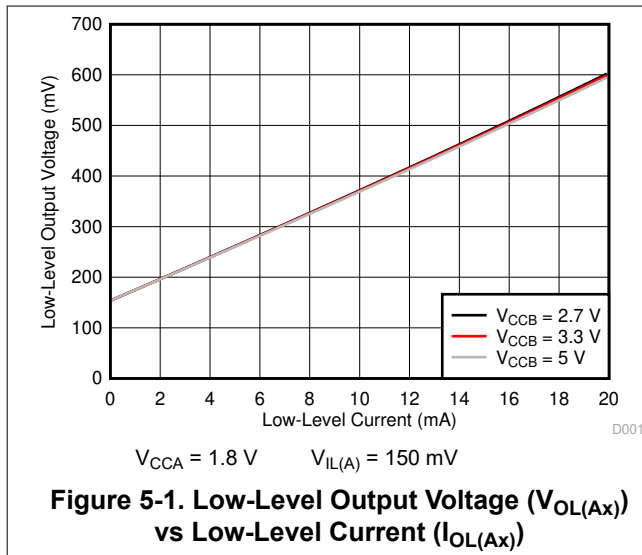
PARAMETER		FROM	TO	Test Conditions	B-Port Supply Voltage (V_{CCB})						UNIT
					$3.3 \pm 0.3V$			$5.0 \pm 0.5V$			
					MIN	TYP	MAX	MIN	TYP	MAX	
t_{PHL}	Propagation Delay (Hight-to-Low)	A	B	Push-Pull	2.4			3.1			ns
t_{PHL}	Propagation Delay (Hight-to-Low)			Open-Drain	4.2			4.6			
t_{PLH}	Propagation Delay (Low-to-High)			Push-Pull	4.2			4.4			
t_{PLH}	Propagation Delay (Low-to-High)			Open-Drain	160			120			
t_{PHL}	Propagation Delay (Hight-to-Low)	B	A	Push-Pull	2.5			3.3			ns
t_{PHL}	Propagation Delay (Hight-to-Low)			Open-Drain	4.5			4			ns
t_{PLH}	Propagation Delay (Low-to-High)			Push-Pull	2.5			2.6			ns
t_{PLH}	Propagation Delay (Low-to-High)			Open-Drain	139			105			ns
t_{en}	Enable Time	OE	A or B	-40°C to 125°C	200			200			ns
t_{dis}	Disable Time	OE	A or B	-40°C to 125°C	250			250			ns
t_{rA}	Output Rise Time	B	A	Push-Pull	5			4			ns
t_{rA}	Output Rise Time			Open-Drain	116			85			ns
t_{rB}	Output Rise Time	A	B	Push-Pull	6			7			ns
t_{rB}	Output Rise Time			Open-Drain	116			116			ns
t_{fA}	Output Fall Time	B	A	Push-Pull	8			7.6			ns
t_{fA}	Output Fall Time			Open-Drain	6			5			ns
t_{fB}	Output Fall Time	A	B	Push-Pull	8.2			10.8			ns
t_{fB}	Output Fall Time			Open-Drain	7			8			ns

5.9 Switching Characteristics: T_{sk} , T_{MAX}

over operating free-air temperature range (unless otherwise noted)

PARAMETER	TEST CONDITIONS	V_{CCA}	V_{CCB}	Operating free-air temperature (T_A)			UNIT
				-40°C to 125°C			
				MIN	TYP	MAX	
TMAX - Maximum Data Rate	50% Duty Cycle Input One channel switching	Push-Pull Driving	1.8 ± 0.15V	2.5V ± 0.2V		18	Mbps
			1.8 ± 0.15V	3.3V ± 0.3V		21	
			1.8 ± 0.15V	5V ± 0.5V		23	
TMAX - Maximum Data Rate	50% Duty Cycle Input One channel switching	Push-Pull Driving	2.5V ± 0.2V	2.5V ± 0.2V		20	Mbps
			2.5V ± 0.2V	3.3V ± 0.3V		22	
			2.5V ± 0.2V	5V ± 0.5V		24	
TMAX - Maximum Data Rate	50% Duty Cycle Input One channel switching	Push-Pull Driving	3.3V ± 0.3V	3.3V ± 0.3V		22	Mbps
			3.3V ± 0.3V	5V ± 0.5V		24	
TMAX - Maximum Data Rate	50% Duty Cycle Input One channel switching	Open-Drain Driving	1.8 ± 0.15V	2.5V ± 0.2V		2	Mbps
			1.8 ± 0.15V	3.3V ± 0.3V		2	
			1.8 ± 0.15V	5V ± 0.5V		2	
TMAX - Maximum Data Rate	50% Duty Cycle Input One channel switching	Open-Drain Driving	2.5V ± 0.2V	2.5V ± 0.2V		2	Mbps
			2.5V ± 0.2V	3.3V ± 0.3V		2	
			2.5V ± 0.2V	5V ± 0.5V		2	
TMAX - Maximum Data Rate	50% Duty Cycle Input One channel switching	Open-Drain Driving	3.3V ± 0.3V	3.3V ± 0.3V		2	Mbps
			3.3V ± 0.3V	5V ± 0.5V		2	
t_w	Pulse Duration, Data Inputs	Push-Pull Driving	1.65V to 3.3V	2.3V to 5.5V	41	ns	
			Open-Drain Driving	1.65V to 3.3V	2.3V to 5.5V		500
t_{sk} - Output skew	Skew between any two outputs of the same package switching in the same direction	Push-Pull Driving	1.65V to 3.3V	2.3V to 5.5V		1	ns
			Open-Drain Driving	1.65V to 3.3V	2.3V to 5.5V		

5.10 Typical Characteristics



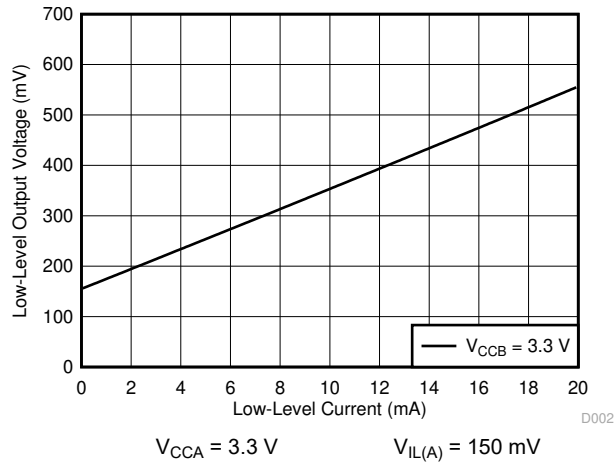


Figure 5-3. Low-Level Output Voltage ($V_{OL(Ax)}$) vs Low-Level Current ($I_{OL(Ax)}$)

6 Parameter Measurement Information

6.1 Load Circuits

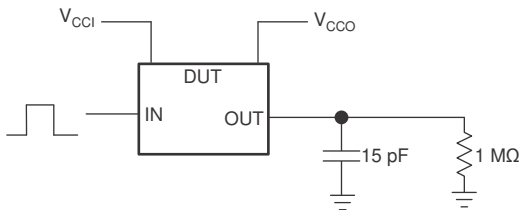


Figure 6-1. Data Rate, Pulse Duration, Propagation Delay, Output Rise-Time and Fall-Time Measurement Using a Push-Pull Driver

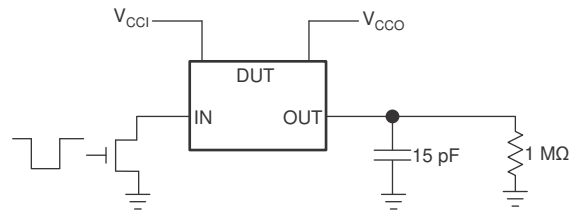
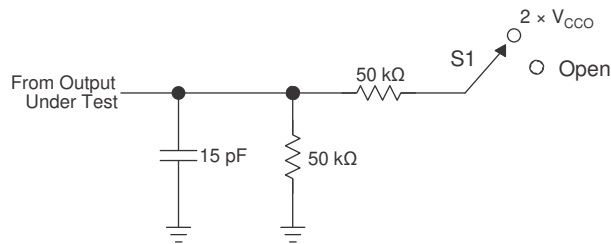


Figure 6-2. Data Rate, Pulse Duration, Propagation Delay, Output Rise-Time and Fall-Time Measurement Using an Open-Drain Driver



TEST	S1
t_{PZL} / t_{PLZ} (t_{dis})	$2 \times V_{CCO}$
t_{PHZ} / t_{PZH} (t_{en})	Open

Figure 6-3. Load Circuit for Enable-Time and Disable-Time Measurement

1. t_{PLZ} and t_{PHZ} are the same as t_{dis} .
2. t_{PZL} and t_{PZH} are the same as t_{en} .
3. V_{CCI} is the V_{CC} associated with the input port.
4. V_{CCO} is the V_{CC} associated with the output port.

6.2 Voltage Waveforms

The outputs are measured one at a time, with one transition per measurement. All input pulses are supplied by generators that have the following characteristics:

- PRR \leq 10MHz
- $Z_O = 50\Omega$
- $dv/dt \geq 1V/ns$

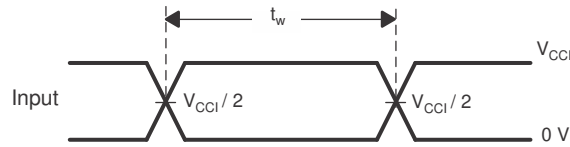


Figure 6-4. Pulse Duration

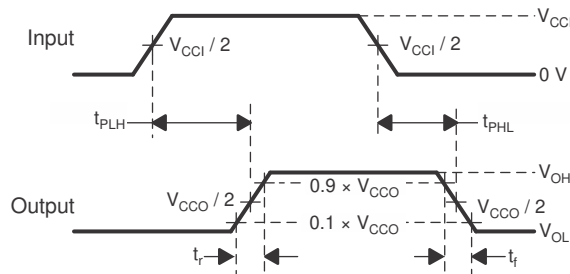
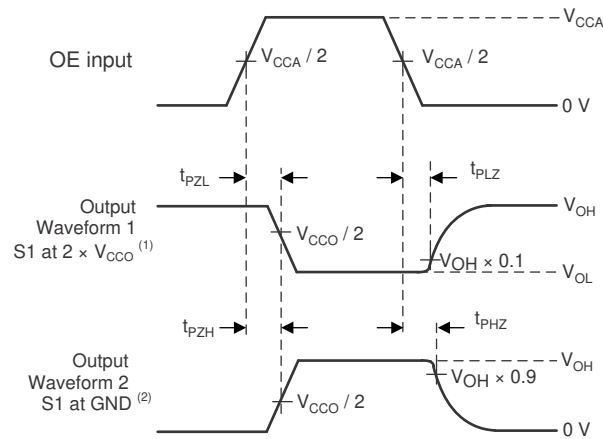


Figure 6-5. Propagation Delay Times



- A. Waveform 1 is for an output with internal such that the output is high, except when OE is high (see [Figure 6-3](#)).
- B. Waveform 2 is for an output with conditions such that the output is low, except when OE is high.

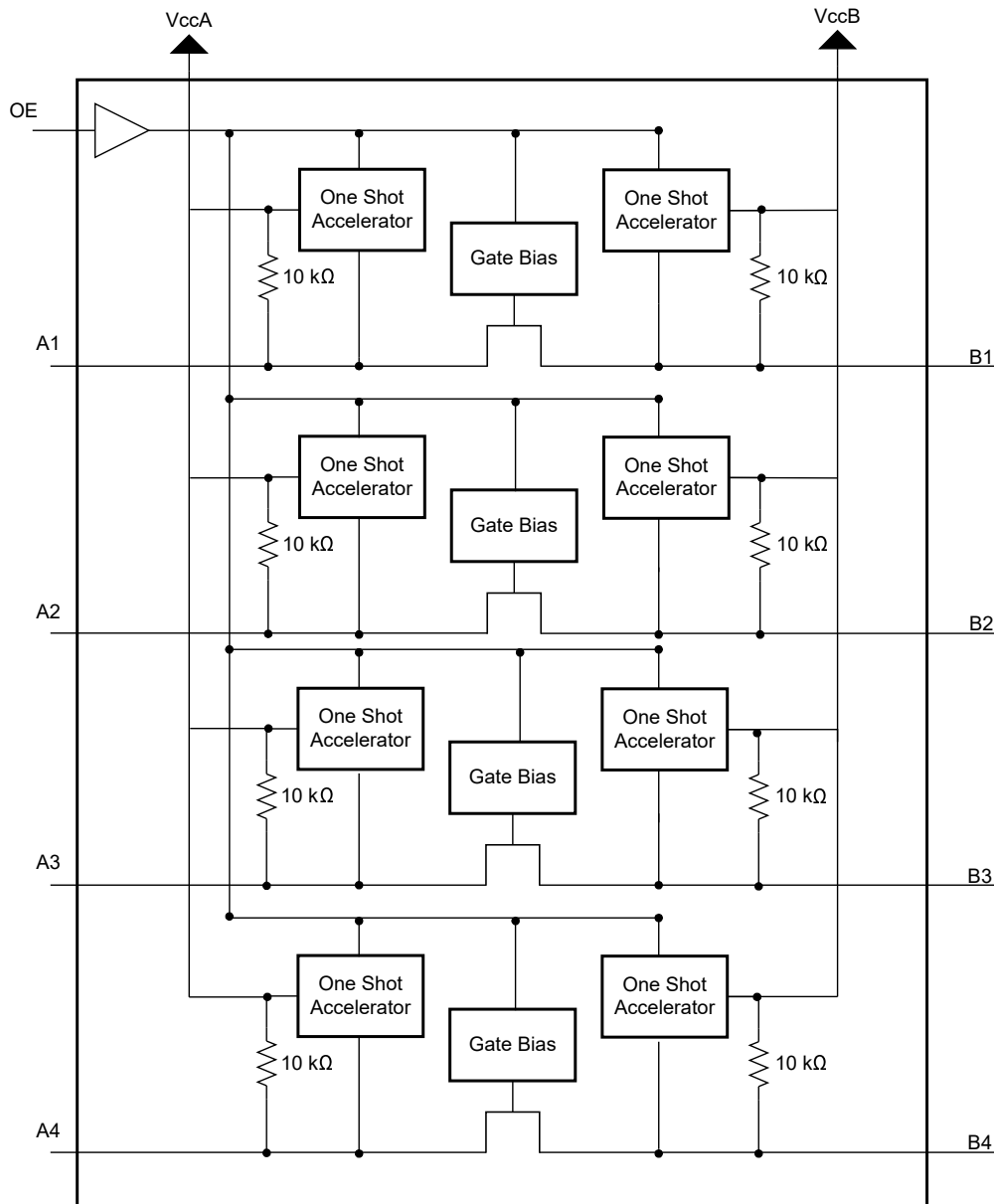
Figure 6-6. Enable and Disable Times

7 Detailed Description

7.1 Overview

The TXS0104V-Q1 device is a directionless voltage-level translator specifically designed for translating logic voltage levels. The A port is able to accept I/O voltages ranging from 1.65V to 3.6V, while the B port can accept I/O voltages from 2.3V to 5.5V. The device is a pass gate architecture with edge rate accelerators (one shots) to improve the overall data rate. 10kΩ pullup resistors, commonly used in open drain applications, have been conveniently integrated so that an external resistor is not needed. While this device is designed for open drain applications, the device can also translate push-pull CMOS logic outputs.

7.2 Functional Block Diagram



7.3 Feature Description

7.3.1 Architecture

The TXS0104V-Q1 architecture (see [Figure 7-1](#)) does not require a direction-control signal to control the direction of data flow from A to B or from B to A.

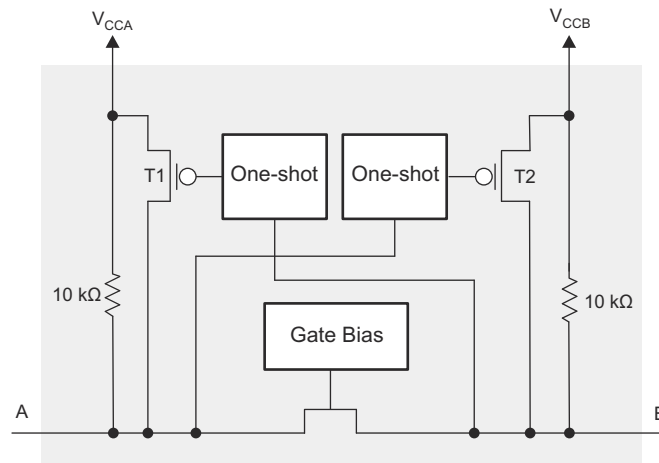


Figure 7-1. Architecture of a TXS0104V-Q1 Cell

Each A-port I/O has an internal 10kΩ pullup resistor to V_{CCA} , and each B-port I/O has an internal 10kΩ pullup resistor to V_{CCB} . The output one-shots detect rising edges on the A or B ports. During a rising edge, the one-shot turns on the PMOS transistors (T1 and T2) for a short duration which speeds up the low-to-high transition.

7.3.2 Input Driver Requirements

The fall time (t_{fA} and t_{fB}) of a signal depends on the output impedance of the external device driving the data I/Os of the TXS0104V-Q1 device. Similarly, the t_{PHL} and maximum data rates also depend on the output impedance of the external driver. The values for t_{fA} , t_{fB} , t_{PHL} , and maximum data rates in the data sheet assume that the output impedance of the external driver is less than 50Ω.

7.3.3 Power Up

During operation, ensure that $V_{CCA} \leq V_{CCB}$ at all times. During power-up sequencing, $V_{CCA} \geq V_{CCB}$ does not damage the device, so any power supply can be ramped up first.

7.3.4 Enable and Disable

The TXS0104V-Q1 device has an OE input that disables the device by setting OE low, which places all I/Os in the high-impedance state. The disable time (t_{dis}) indicates the delay between the time when the OE pin goes low and when the outputs actually enter the high-impedance state. The enable time (t_{en}) indicates the amount of time the user must allow for the one-shot circuitry to become operational after the OE pin is taken high.

7.3.5 Pullup and Pulldown Resistors on I/O Lines

Each A-port I/O has an internal 10kΩ pullup resistor to V_{CCA} , and each B-port I/O has an internal 10kΩ pullup resistor to V_{CCB} . If a smaller value of pullup resistor is required, an external resistor must be added from the I/O to V_{CCA} or V_{CCB} (in parallel with the internal 10kΩ resistors).

7.4 Device Functional Modes

The TXS0104V-Q1 device has two functional modes: enabled and disabled. To disable the device set the OE input low, which places all I/Os in a high impedance state. Setting the OE input high will enable the device.

8 Application and Implementation

Note

Information in the following applications sections is not part of the TI component specification, and TI does not warrant its accuracy or completeness. TI's customers are responsible for determining suitability of components for their purposes, as well as validating and testing their design implementation to confirm system functionality.

8.1 Application Information

The TXS0104V-Q1 device can be used in level-translation applications for interfacing devices or systems operating at different interface voltages with one another. The TXS0104V-Q1 device is an excellent choice for applications where an open-drain driver is connected to the data I/Os. The TXS0104V-Q1 device can also be used in applications where a push-pull driver is connected to the data I/Os, but the TXB0104 device might be a better option for such push-pull applications.

8.2 Typical Application

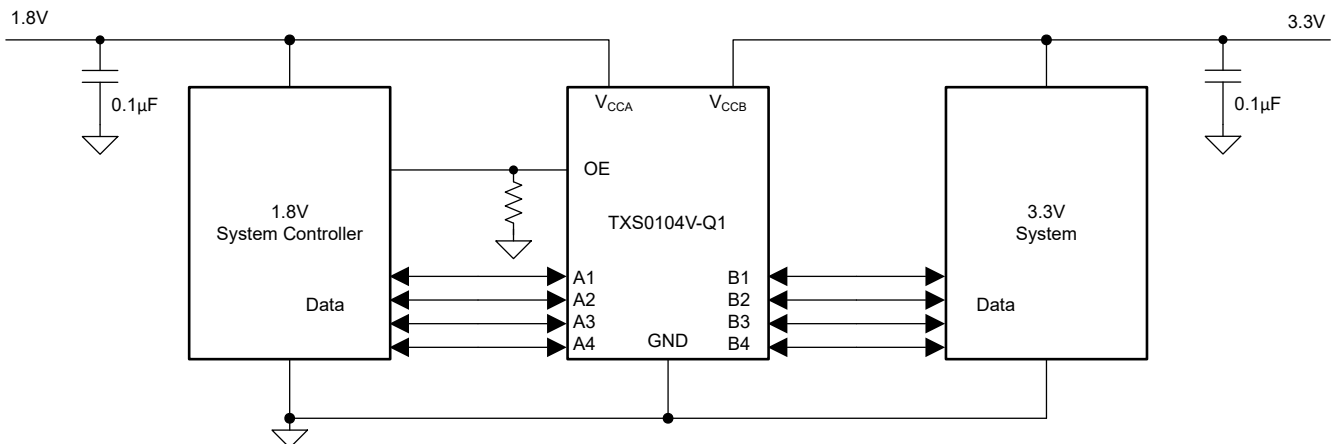


Figure 8-1. Application Schematic

8.2.1 Design Requirements

For this design example, use the parameters listed in [Table 8-1](#).

Table 8-1. Design Parameters

DESIGN PARAMETER	EXAMPLE VALUE
Input voltage range	1.65 to 3.6V
Output voltage range	2.3 to 5.5V

8.2.2 Detailed Design Procedure

To begin the design process, determine the following:

- Input voltage range
 - Use the supply voltage of the device that is driving the TXS0104V-Q1 device to determine the input voltage range. For a valid logic high the value must exceed the V_{IH} of the input port. For a valid logic low the value must be less than the V_{IL} of the input port.
- Output voltage range
 - Use the supply voltage of the device that the TXS0104V-Q1 device is driving to determine the output voltage range.
 - The TXS0104V-Q1 device has 10k Ω internal pullup resistors. External pullup resistors can be added to reduce the total RC of a signal trace if necessary.
- An external pull down resistor decreases the output V_{OH} and V_{OL} . Use [Equation 1](#) to calculate the V_{OH} as a result of an external pull down resistor.

$$V_{OH} = V_{CCx} \times R_{PD} / (R_{PD} + 10\text{ k}\Omega) \tag{1}$$

where

V_{CCx} is the supply voltage on either V_{CCA} or V_{CCB}
 R_{PD} is the value of the external pull down resistor

8.2.3 Application Curve

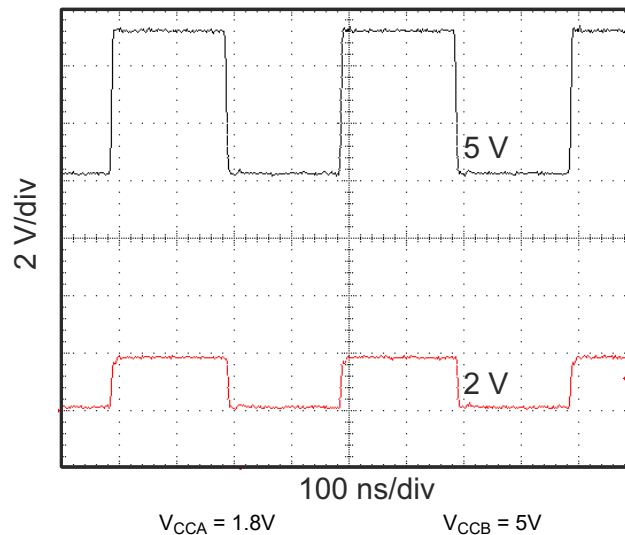


Figure 8-2. Level-Translation of a 2.5MHz Signal

8.3 Power Supply Recommendations

The TXS0104V-Q1 device uses two separate configurable power-supply rails, V_{CCA} and V_{CCB} . V_{CCB} accepts any supply voltage from 2.3V to 5.5V and V_{CCA} accepts any supply voltage from 1.65V to 3.6V as long as V_S is less than or equal to V_{CCB} . The A port and B port are designed to track V_{CCA} and V_{CCB} respectively allowing for low-voltage bidirectional translation between any of the 1.8V, 2.5V, 3.3V, and 5V voltage nodes.

The TXS0104V-Q1 device does not require power sequencing between V_{CCA} and V_{CCB} during power-up so the power-supply rails can be ramped in any order. A V_{CCA} value greater than or equal to V_{CCB} ($V_{CCA} \geq V_{CCB}$) does not damage the device, but during operation, V_{CCA} must be less than or equal to V_{CCB} ($V_{CCA} \leq V_{CCB}$) at all times.

The output-enable (OE) input circuit is designed so that it is supplied by V_{CCA} and when the (OE) input is low, all outputs are placed in the high-impedance state. For the high-impedance state of the outputs during power up or power down, the OE input pin must be tied to GND through a pulldown resistor and must not be enabled until V_{CCA} and V_{CCB} are fully ramped and stable. The current-sourcing capability of the driver determines the minimum value of the pulldown resistor to ground.

8.4 Layout

8.4.1 Layout Guidelines

For device reliability, it is recommended to follow common printed-circuit board layout guidelines such as follows:

- Bypass capacitors should be used on power supplies.
- Short trace lengths should be used to avoid excessive loading.
- PCB signal trace-lengths must be kept short enough so that the round-trip delay of any reflection is less than the one shot duration, approximately 30ns, and encounters low impedance at the source driver.
- Placing pads on the signal paths for loading capacitors or pullup resistors to help adjust rise and fall times of signals depending on the system requirements

8.4.2 Layout Example

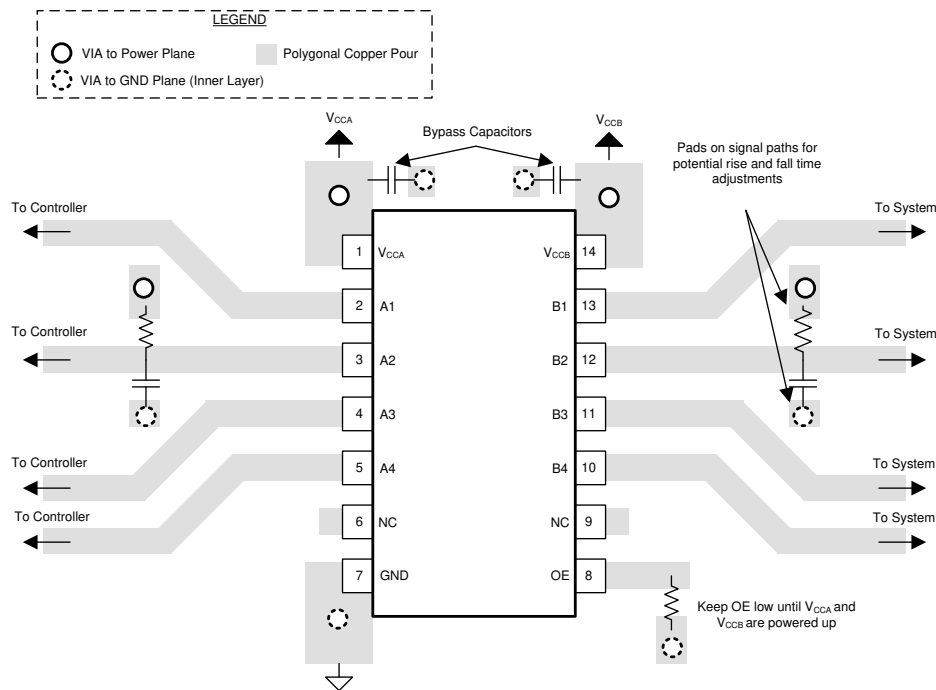


Figure 8-3. TXS0104V-Q1 Layout Example

9 Device and Documentation Support

9.1 Documentation Support

9.1.1 Related Documentation

For related documentation, see the following:

- Texas Instruments, [Effects of External Pullup and Pulldown Resistors on TXS and TXB Devices application report](#)
- Texas Instruments, [Basics of Voltage Translation application report](#)
- Texas Instruments, [A Guide to Voltage Translation With TXS-Type Translators application report](#)

9.2 Receiving Notification of Documentation Updates

To receive notification of documentation updates, navigate to the device product folder on ti.com. Click on *Notifications* to register and receive a weekly digest of any product information that has changed. For change details, review the revision history included in any revised document.

9.3 Support Resources

TI E2E™ [support forums](#) are an engineer's go-to source for fast, verified answers and design help — straight from the experts. Search existing answers or ask your own question to get the quick design help you need.

Linked content is provided "AS IS" by the respective contributors. They do not constitute TI specifications and do not necessarily reflect TI's views; see TI's [Terms of Use](#).

9.4 Trademarks

TI E2E™ is a trademark of Texas Instruments.
All trademarks are the property of their respective owners.

9.5 Electrostatic Discharge Caution



This integrated circuit can be damaged by ESD. Texas Instruments recommends that all integrated circuits be handled with appropriate precautions. Failure to observe proper handling and installation procedures can cause damage.

ESD damage can range from subtle performance degradation to complete device failure. Precision integrated circuits may be more susceptible to damage because very small parametric changes could cause the device not to meet its published specifications.

9.6 Glossary

[TI Glossary](#) This glossary lists and explains terms, acronyms, and definitions.

10 Revision History

DATE	REVISION	NOTES
June 2024	*	Initial Release

11 Mechanical, Packaging, and Orderable Information

The following pages include mechanical, packaging, and orderable information. This information is the most current data available for the designated devices. This data is subject to change without notice and revision of this document. For browser-based versions of this data sheet, refer to the left-hand navigation.

PACKAGING INFORMATION

Orderable Device	Status (1)	Package Type	Package Drawing	Pins	Package Qty	Eco Plan (2)	Lead finish/ Ball material (6)	MSL Peak Temp (3)	Op Temp (°C)	Device Marking (4/5)	Samples
TXS0104VQPWRQ1	ACTIVE	TSSOP	PW	14	3000	RoHS & Green	NIPDAU	Level-1-260C-UNLIM	-40 to 125	04VQ1	Samples

(1) The marketing status values are defined as follows:

ACTIVE: Product device recommended for new designs.

LIFEBUY: TI has announced that the device will be discontinued, and a lifetime-buy period is in effect.

NRND: Not recommended for new designs. Device is in production to support existing customers, but TI does not recommend using this part in a new design.

PREVIEW: Device has been announced but is not in production. Samples may or may not be available.

OBSOLETE: TI has discontinued the production of the device.

(2) **RoHS:** TI defines "RoHS" to mean semiconductor products that are compliant with the current EU RoHS requirements for all 10 RoHS substances, including the requirement that RoHS substance do not exceed 0.1% by weight in homogeneous materials. Where designed to be soldered at high temperatures, "RoHS" products are suitable for use in specified lead-free processes. TI may reference these types of products as "Pb-Free".

RoHS Exempt: TI defines "RoHS Exempt" to mean products that contain lead but are compliant with EU RoHS pursuant to a specific EU RoHS exemption.

Green: TI defines "Green" to mean the content of Chlorine (Cl) and Bromine (Br) based flame retardants meet JS709B low halogen requirements of <=1000ppm threshold. Antimony trioxide based flame retardants must also meet the <=1000ppm threshold requirement.

(3) MSL, Peak Temp. - The Moisture Sensitivity Level rating according to the JEDEC industry standard classifications, and peak solder temperature.

(4) There may be additional marking, which relates to the logo, the lot trace code information, or the environmental category on the device.

(5) Multiple Device Markings will be inside parentheses. Only one Device Marking contained in parentheses and separated by a "~" will appear on a device. If a line is indented then it is a continuation of the previous line and the two combined represent the entire Device Marking for that device.

(6) Lead finish/Ball material - Orderable Devices may have multiple material finish options. Finish options are separated by a vertical ruled line. Lead finish/Ball material values may wrap to two lines if the finish value exceeds the maximum column width.

Important Information and Disclaimer:The information provided on this page represents TI's knowledge and belief as of the date that it is provided. TI bases its knowledge and belief on information provided by third parties, and makes no representation or warranty as to the accuracy of such information. Efforts are underway to better integrate information from third parties. TI has taken and continues to take reasonable steps to provide representative and accurate information but may not have conducted destructive testing or chemical analysis on incoming materials and chemicals. TI and TI suppliers consider certain information to be proprietary, and thus CAS numbers and other limited information may not be available for release.

In no event shall TI's liability arising out of such information exceed the total purchase price of the TI part(s) at issue in this document sold by TI to Customer on an annual basis.

OTHER QUALIFIED VERSIONS OF TXS0104V-Q1 :

- Catalog : [TXS0104V](#)

NOTE: Qualified Version Definitions:

- Catalog - TI's standard catalog product

TAPE AND REEL INFORMATION

QUADRANT ASSIGNMENTS FOR PIN 1 ORIENTATION IN TAPE


*All dimensions are nominal

Device	Package Type	Package Drawing	Pins	SPQ	Reel Diameter (mm)	Reel Width W1 (mm)	A0 (mm)	B0 (mm)	K0 (mm)	P1 (mm)	W (mm)	Pin1 Quadrant
TXS0104VQPWRQ1	TSSOP	PW	14	3000	330.0	12.4	6.9	5.6	1.6	8.0	12.0	Q1

TAPE AND REEL BOX DIMENSIONS


*All dimensions are nominal

Device	Package Type	Package Drawing	Pins	SPQ	Length (mm)	Width (mm)	Height (mm)
TXS0104VQPWRQ1	TSSOP	PW	14	3000	353.0	353.0	32.0

PW0014A



PACKAGE OUTLINE
TSSOP - 1.2 mm max height

SMALL OUTLINE PACKAGE



4220202/B 12/2023

NOTES:

1. All linear dimensions are in millimeters. Any dimensions in parenthesis are for reference only. Dimensioning and tolerancing per ASME Y14.5M.
2. This drawing is subject to change without notice.
3. This dimension does not include mold flash, protrusions, or gate burrs. Mold flash, protrusions, or gate burrs shall not exceed 0.15 mm per side.
4. This dimension does not include interlead flash. Interlead flash shall not exceed 0.25 mm per side.
5. Reference JEDEC registration MO-153.

EXAMPLE BOARD LAYOUT

PW0014A

TSSOP - 1.2 mm max height

SMALL OUTLINE PACKAGE



LAND PATTERN EXAMPLE
EXPOSED METAL SHOWN
SCALE: 10X



4220202/B 12/2023

NOTES: (continued)

- 6. Publication IPC-7351 may have alternate designs.
- 7. Solder mask tolerances between and around signal pads can vary based on board fabrication site.

EXAMPLE STENCIL DESIGN

PW0014A

TSSOP - 1.2 mm max height

SMALL OUTLINE PACKAGE



SOLDER PASTE EXAMPLE
BASED ON 0.125 mm THICK STENCIL
SCALE: 10X

4220202/B 12/2023

NOTES: (continued)

8. Laser cutting apertures with trapezoidal walls and rounded corners may offer better paste release. IPC-7525 may have alternate design recommendations.
9. Board assembly site may have different recommendations for stencil design.

IMPORTANT NOTICE AND DISCLAIMER

TI PROVIDES TECHNICAL AND RELIABILITY DATA (INCLUDING DATA SHEETS), DESIGN RESOURCES (INCLUDING REFERENCE DESIGNS), APPLICATION OR OTHER DESIGN ADVICE, WEB TOOLS, SAFETY INFORMATION, AND OTHER RESOURCES "AS IS" AND WITH ALL FAULTS, AND DISCLAIMS ALL WARRANTIES, EXPRESS AND IMPLIED, INCLUDING WITHOUT LIMITATION ANY IMPLIED WARRANTIES OF MERCHANTABILITY, FITNESS FOR A PARTICULAR PURPOSE OR NON-INFRINGEMENT OF THIRD PARTY INTELLECTUAL PROPERTY RIGHTS.

These resources are intended for skilled developers designing with TI products. You are solely responsible for (1) selecting the appropriate TI products for your application, (2) designing, validating and testing your application, and (3) ensuring your application meets applicable standards, and any other safety, security, regulatory or other requirements.

These resources are subject to change without notice. TI grants you permission to use these resources only for development of an application that uses the TI products described in the resource. Other reproduction and display of these resources is prohibited. No license is granted to any other TI intellectual property right or to any third party intellectual property right. TI disclaims responsibility for, and you will fully indemnify TI and its representatives against, any claims, damages, costs, losses, and liabilities arising out of your use of these resources.

TI's products are provided subject to [TI's Terms of Sale](#) or other applicable terms available either on [ti.com](https://www.ti.com) or provided in conjunction with such TI products. TI's provision of these resources does not expand or otherwise alter TI's applicable warranties or warranty disclaimers for TI products.

TI objects to and rejects any additional or different terms you may have proposed.

Mailing Address: Texas Instruments, Post Office Box 655303, Dallas, Texas 75265
Copyright © 2024, Texas Instruments Incorporated