

Capacitive Touch MSP430FR2676 MCU Board

This getting started guide provides a brief overview of the [CAPTIVATE-FR2676](#) capacitive touch processor MSP430FR2676 board. It describes the common use cases for this processor board, introduces the required tools and hardware that are needed to develop with it, and provides the relevant links to the detailed [CAPTIVATE-FR2676 EVM chapter](#) in the [CapTivate™ Technology Guide](#).

Contents

1	Introduction	2
1.1	Scope	2
2	Using the CAPTIVATE-FR2676	3
2.1	Required Tools and Hardware	3
2.2	Prerequisites.....	3
2.3	Out-of-Box Experience	4
3	Hardware	4
3.1	Functional Block Diagram	4

List of Figures

1	CAPTIVATE-FR2676 Board.....	2
2	Hardware Setup.....	4
3	CAPTIVATE-FR2676 Block Diagram	4

Trademarks

CapTivate, BoosterPack, LaunchPad, MSP430, Code Composer Studio are trademarks of Texas Instruments.

Apple, macOS are registered trademarks of Apple Inc.

IAR Embedded Workbench is a registered trademark of IAR Systems.

Linux is a registered trademark of Linus Torvalds.

Microsoft, Windows are registered trademarks of Microsoft Corporation.

1 Introduction

The CapTivate MSP430FR2676 MCU board (CAPTIVATE-FR2676) is a simple evaluation board for evaluating capacitive touch and proximity sensors through the use of plug-in sensor boards (sold separately). The MCU board has a 20-pin female debug connector for debugging the on-board [MSP430FR2676 CapTivate MCU](#) and a 48-pin sensor panel connector for connecting to external capacitive touch sensors. Also included on the MCU board is a partially filled BoosterPack™ plug-in module header, which enables limited support for the LaunchPad™ kit and BoosterPack module ecosystem.

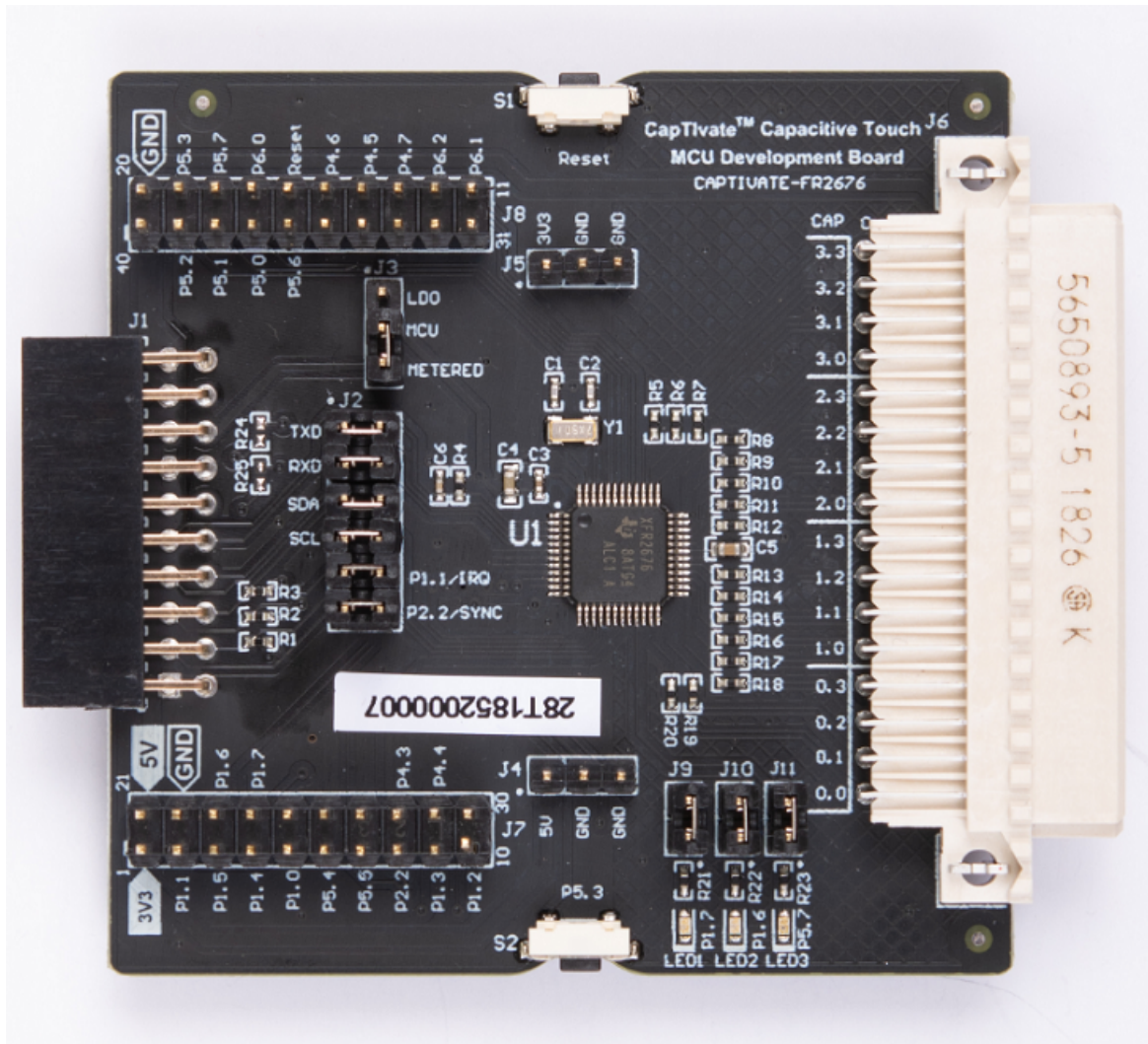


Figure 1. CAPTIVATE-FR2676 Board

1.1 Scope

This getting started guide provides a brief overview of the CAPTIVATE-FR2676 MCU board. The full detailed EVM user's guide is available within the CapTivate Design Center integrated documentation. The latest version of the user's guide is also available online in the [CapTivate™ Technology Guide](#).

2 Using the CAPTIVATE-FR2676

The CAPTIVATE-FR2676 MCU board is most commonly used with CAPTIVATE-PGMR module and sensor boards.

2.1 Required Tools and Hardware

The following tools and hardware are required to use the CAPTIVATE-FR2676.

2.1.1 Software

- CapTlvate Design Center tool

The CapTlvate Design Center is the one-stop-shop development environment for CapTlvate touch-sensing MCUs. In addition to serving as the CapTlvate development graphical user interface, the design center also contains all of the CapTlvate software examples and relevant technical documentation. To get the most out of your CAPTIVATE-FR2676, download and install the latest version of the [CapTlvate™ Design Center GUI for MSP430™ Capacitive Sensing MCUs](#). The CapTlvate Design Center supports Microsoft® Windows®, Apple® macOS®, and Linux® host environments. The minimum required CapTlvate Design Center version with CAPTIVATE-FR2676 support is version 1.80.00.00.

- Integrated development environment (IDE)

To program a software example to either a host LaunchPad development kit or the CAPTIVATE-FR2676, an integrated development environment is required. CapTlvate software examples support [TI Code Composer Studio™ IDE \(CCS\)](#) and [IAR Embedded Workbench® for MSP430 IDE \(IAR EW\)](#). The minimum CCS version with support for the MSP430FR2676 MCU is version 8.3. The minimum IAR EW version is version 7.12.3.

2.1.2 Hardware

- [CAPTIVATE-PGMR](#)

This board is required for connecting the CAPTIVATE-FR2676 to a host PC to enable communication with the CapTlvate Design Center and programming of the onboard MCU. The CAPTIVATE-PGMR is needed to load code examples other than the out-of-box experience example that comes preprogrammed on the CAPTIVATE-FR2676.

- [CAPTIVATE-PHONE](#)

This board is a simple evaluation sensor board for mutual-capacitance capacitive touch sensors using a variety of configurations in a real-world application.

- [CAPTIVATE-BSWP](#)

This board is a simple evaluation sensor board for self-capacitance capacitive touch sensors in a variety of configurations

2.2 Prerequisites

- Software Installation

1. Install the CapTlvate Design Center GUI on a Windows, Linux, or macOS computer (note the requirements).
2. Install a development environment (IDE).

- Hardware Setup

1. Connect the CAPTIVATE-FR2676 MCU module to the CAPTIVATE-PGMR module.
2. Connect the desired sensing panel board to the CAPTIVATE-FR2676 module. The out-of-box experience uses the CAPTIVATE-BSWP panel.
3. Connect the micro-USB cable to the CAPTIVATE-PGMR programmer PCB and the computer.
4. Verify that LED2 and LED5 (power good LEDs) on the CAPTIVATE-PGMR module illuminate and that LED4 (HID Bridge enumeration) blinks.

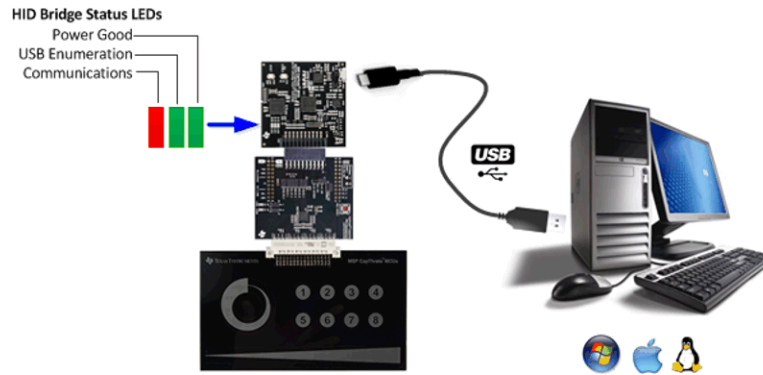


Figure 2. Hardware Setup

2.3 Out-of-Box Experience

The CAPTIVATE-FR2676 MCU board is factory-programmed with out-of-box code that works with the CAPTIVATE-BSWP sensor panel board. For details on running the example code, refer to [CAPTIVATE-BSWP Demonstration](#) in the [CapTivate™ Technology Guide](#).

3 Hardware

For a detailed description of the CAPTIVATE-FR2676 hardware, see the [CAPTIVATE-FR2676 hardware description](#) in the [CapTivate™ Technology Guide](#).

3.1 Functional Block Diagram

Figure 3 shows the CAPTIVATE-FR2676 functional block diagram.

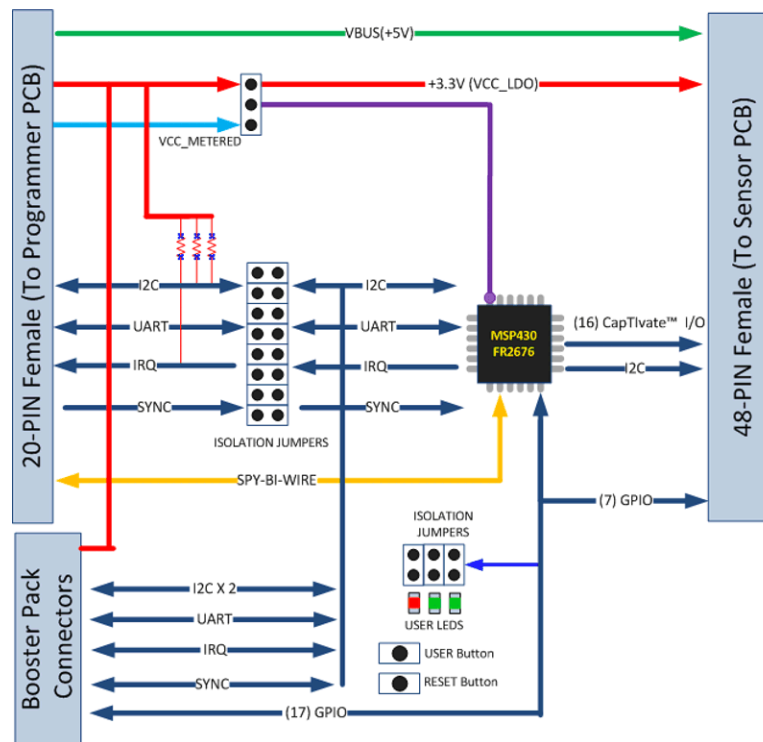


Figure 3. CAPTIVATE-FR2676 Block Diagram

IMPORTANT NOTICE AND DISCLAIMER

TI PROVIDES TECHNICAL AND RELIABILITY DATA (INCLUDING DATA SHEETS), DESIGN RESOURCES (INCLUDING REFERENCE DESIGNS), APPLICATION OR OTHER DESIGN ADVICE, WEB TOOLS, SAFETY INFORMATION, AND OTHER RESOURCES "AS IS" AND WITH ALL FAULTS, AND DISCLAIMS ALL WARRANTIES, EXPRESS AND IMPLIED, INCLUDING WITHOUT LIMITATION ANY IMPLIED WARRANTIES OF MERCHANTABILITY, FITNESS FOR A PARTICULAR PURPOSE OR NON-INFRINGEMENT OF THIRD PARTY INTELLECTUAL PROPERTY RIGHTS.

These resources are intended for skilled developers designing with TI products. You are solely responsible for (1) selecting the appropriate TI products for your application, (2) designing, validating and testing your application, and (3) ensuring your application meets applicable standards, and any other safety, security, regulatory or other requirements.

These resources are subject to change without notice. TI grants you permission to use these resources only for development of an application that uses the TI products described in the resource. Other reproduction and display of these resources is prohibited. No license is granted to any other TI intellectual property right or to any third party intellectual property right. TI disclaims responsibility for, and you will fully indemnify TI and its representatives against, any claims, damages, costs, losses, and liabilities arising out of your use of these resources.

TI's products are provided subject to [TI's Terms of Sale](#) or other applicable terms available either on ti.com or provided in conjunction with such TI products. TI's provision of these resources does not expand or otherwise alter TI's applicable warranties or warranty disclaimers for TI products.

TI objects to and rejects any additional or different terms you may have proposed.

Mailing Address: Texas Instruments, Post Office Box 655303, Dallas, Texas 75265
Copyright © 2022, Texas Instruments Incorporated