

EVM User's Guide: MSPM0C1104 LP-MSPM0C1104

LP-MSPM0C1104 Evaluation Module



Description

The MSPM0C1104 LaunchPad™ Development Kit is an easy-to-use evaluation module for the MSPM0C1104 microcontroller (MCU). The kit contains everything needed to start developing on the MSPM0C110x microcontroller platform, including onboard debug probe for programming and debugging. The board also features an onboard button and LED for quick integration of a simple user interface.

The MSPM0C1104 is an Arm® Cortex® 32-bit -M0+ CPU with frequency up to 24MHz. The device features 16KB of embedded flash memory combined with 1KB of on-chip RAM. This device includes an integrated 12-bit 866Ksps SAR ADC with 10 external channels. Rapid prototyping is simplified by the 20-pin BoosterPack™ plug-in module headers, which support a wide range of available BoosterPack plug-in modules. Users can quickly add features like wireless connectivity, graphical displays, environmental sensing, and much more. Design a BoosterPack plug-in module or choose among many available from TI and third-party developers.

Get Started

1. Order [LP-MSPM0C1104](https://www.ti.com) from ti.com.
2. Navigate to dev.ti.com to browse for code examples.

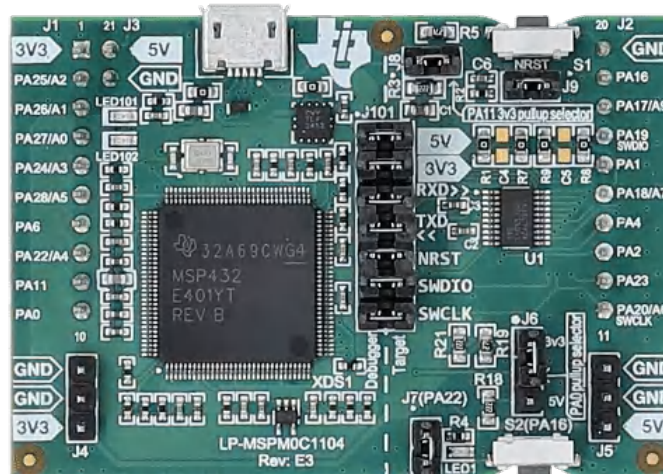
3. Plug LP-MSPM0C1104 into a PC with the provided USB cable.
4. Download code directly from the browser to the MSPM0C1104 with CCS Cloud.
5. Download CCS Theia for a desktop integrated development environment.

Features

- Onboard XDS110 debug probe
- Backchannel UART through USB to PC
- USB powered
- 20-pin BoosterPack headers
- RC filter for ADC input or PWM DAC output
- One user button
- One red LED

Applications

- [Battery charging and management](#)
- [Power supplies and power delivery](#)
- [Personal electronics](#)
- [Building security and fire safety](#)
- [Connected peripherals and printers](#)
- [Grid infrastructure](#)
- [Smart metering](#)
- [Communication modules](#)
- [Medical and healthcare](#)
- [Lighting](#)



1 Evaluation Module Overview

1.1 Introduction

The MSPM0C1104 is a low-cost microcontroller from the MSPM0 family based on the Arm(r) Cortex-M(r) M0+ processors architecture. These flexible devices can be used in a variety of system tasks from housekeeping to simple motor control. The easiest way to get started with MSPM0C1104 is with the LP-MSPM0C1104 LaunchPad™. The LaunchPad has all the required features to load code, debug, and prototype right out of the box.

To make prototyping even easier, TI provides the MSPM0 software development kit (SDK), which has over 50 code examples to use as starting points for application.

Free software development tools are also available, such as TI's [Code Composer Studio™ IDE](#), [IAR Embedded Workbench™ IDE](#), and [Keil® µVision® IDE](#). Code Composer Studio IDE supports [EnergyTrace™ technology](#) when paired with the MSPM0L1306 LaunchPad development kit. More information about the LaunchPad development kit, the supported BoosterPack™ plug-in modules, and the available resources can be found at the TI [LaunchPad™ development kit portal](#). To get started quickly and find available resources in the MSPM0 software development kit (SDK), visit the [TI Cloud Developer Zone](#). MSPM0 MCUs are also supported by extensive online collateral, training with MSP Academy, and online support through the [TI E2E™ support forums](#).

1.2 Kit Contents

LP-MSPM0C1104 LaunchPad development kit

Quick start guide

1.3 Specification

LP-MSPM0C1104 is designed to be used in conjunction with a PC, Mac®, or Linux® workstation running Code Composer Studio™ (CCS). CCS can run as a stand-alone on the workstation or be accessed through the web (CCS Cloud) without the need for a software installation. Alternatively, LP-MSPM0C1104 ships with an example loaded, which can be controlled by a GUI. See the out-of-box description below.

Once the code has been flashed onto LP-MSPM0C1104, the device can be powered from a power supply other than the built in USB power supply. This allows the user to forgo the PC connection. Power can be applied directly to either the 3.3V or 5V rails. Do not apply power to both rails simultaneously. When using an external power supply, make sure to not exceed 3.3V or 5V respectively.

1.4 Device Information

LP-MSPM0C1104 uses the following devices from Texas Instruments.

Device Name	Description	Purpose
MSP432E401YTPDT	SimpleLink™ 32-bit Arm® Cortex®-M4F MCU with Ethernet™, CAN, 1MB Flash and 256kB RAM	XDS110 host device
TPD4E004DRYR	ESD-protection array for high-speed data interfaces, 4 channels	Protect LP-MSPM0C1104 from ESD damage through USB connector
TPS73533DRBT	500mA, adjustable, low quiescent current, low-noise, high-PSRR, single-output LDO regulator	3.3V power XDS110 and MSPM0C1104
LM4040C25IDCKR	Precision micropower shunt voltage reference	Voltage reference for XDS110 debugger
MSPM0C1104SDGSR	Mixed-signal Microcontroller with 24MHz Arm® Cortex®32-bit-M0+ CPU, 16kB flash, and 1kB SRAM	Evaluation device

2 Hardware

2.1 Hardware Overview

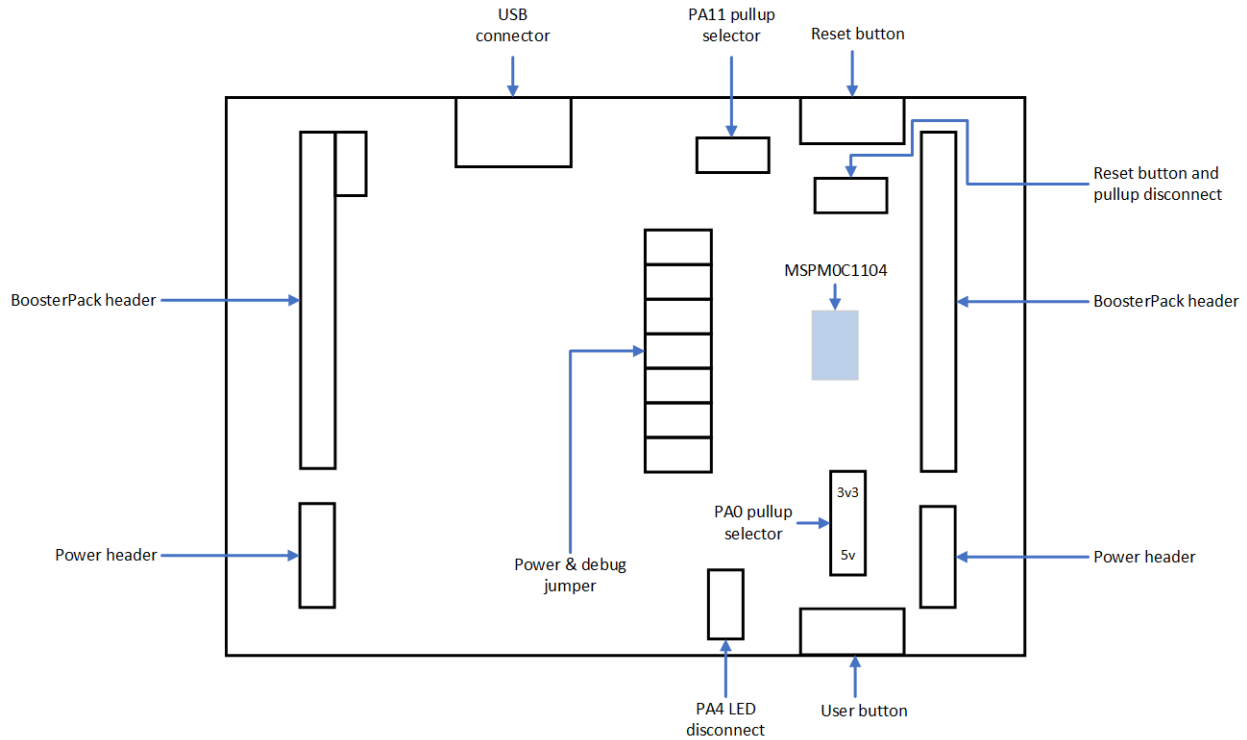


Figure 2-1. Diagram of LP-MSPM0C1104 Jumpers and Connectors

LP-MSPM0C1104 has many hardware features, which allow the user full access to the MSPM0C1104 pins while still providing onboard connectivity for easy use. Shunt connections provide a way for the user to easily change the LaunchPad configuration. The location of these shunts is shown in [Figure 2-1](#). The connection of each shunt is described in [Table 2-1](#). The default configuration is to have all shunts populated.

Table 2-1. Jumper Information

Jumper	Description	Default Setting	Connected Signal
J6	Pullup selection for PA0 (open drain)	Installed between center tap and 3.3V	2.2k pullup resistor to 3.3V or 5V
J7	PA4(Version: E2)/PA22(Version: E3/A or other) LED connection	Installed	LED1 anode (+)
J8	Pullup selection for PA11	Installed	2.2k pullup resistor to 3.3V
J9	Reset button and pullup circuitry connection	Installed	See Section 4.1

2.2 Power Requirements

Simple nature of LP-MSPM0C1104 only requires 5V USB power to operate. The onboard LDO generates a 3.3V supply up to 500mA. The LaunchPad can also be power directly from the BoosterPack or power headers using a bench supply or battery. Do not exceed 3.3V on the 3.3V rail. Do not exceed 5V on the 5V rail. [Figure 2-2](#) shows the power connections on LP-MSPM0C1104.

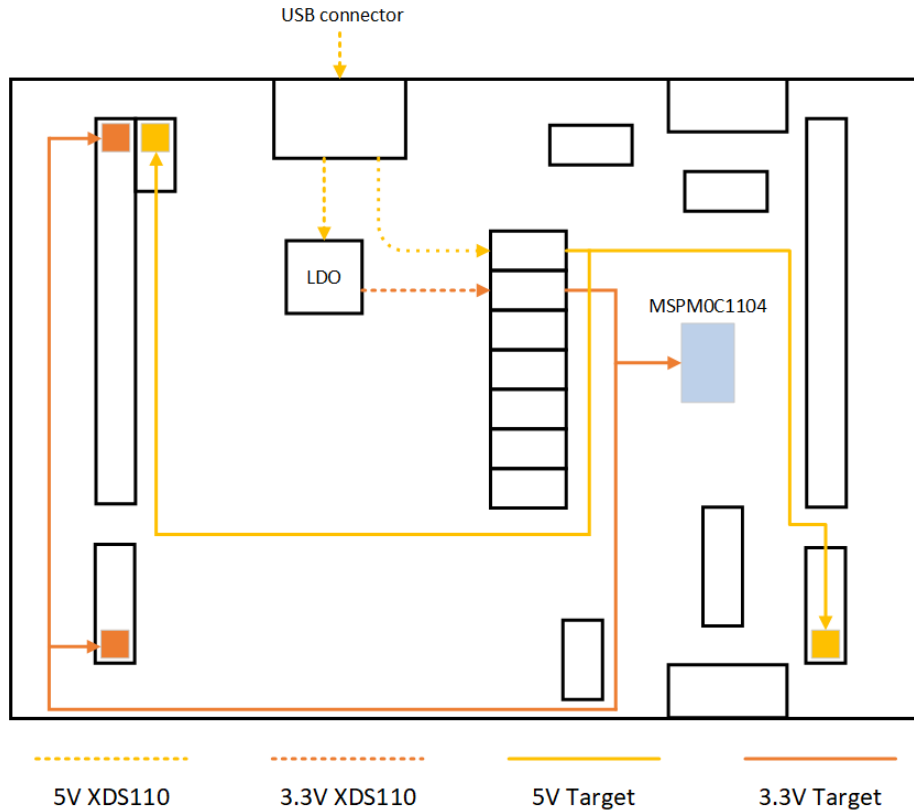


Figure 2-2. LP-MSPM0C1104 Power Connections

2.3 XDS110 Debug Probe

LP-MSPM0C1104 features an onboard debug probe to streamline prototyping. The debugger used on this LaunchPad is the XDS110 variant, which supports all MSPM0 device derivatives. The integrated XDS110 debug probe is physically separated from the rest of the MSPM0C1104 circuitry as shown in [figure 2.x](#). The XDS110 is also electrically separated from the MSPM0C1104. The XDS110 is only connected through signals that pass through J101, in addition to a common ground.

Isolation Jumper Block

The isolation jumper block at jumper J101 allows the user to connect or disconnect signals that cross from the XDS110 domain into the MSPM0C1104 target domain. This includes XDS110 SWD signals, application UART signals, and 3.3V and 5V power.

Jumper	Description
5V	5V VBUS from USB.
3V3	3.3V rail, derived from VBUS in the XDS110-ET domain.
RXD<<	Backchannel UART: The target MSPM0L1306 receives data through this signal. The arrows indicate the direction of the signal.
TXD>>	Backchannel UART: The target MSPM0L1306 sends data through this signal. The arrows indicate the direction of the signal.
NRST	RST signal.
SWDIO	Serial wire debug: SWDIO data signal.
SWCLK	Serial wire debug: SWDCLK clock signal.

During normal prototyping all shunts are populated. However, there are some scenarios where a user needs to open these connections:

- To remove any and all influence from the XDS110 debug probe for high accuracy target power measurements.
- To control 3.3V and 5V power flow between the XDS110 and target domains.
- To expose the target MCU pins for other use than onboard debugging and application UART communication.
- To expose the programming and UART interface of the XDS110 so that the XDS110 can be used for devices other than the onboard MCU.

Application (*Backchannel*) UART

The backchannel UART allows communication with the USB host that is not part of the target application's main functionality. This is very useful during development, and also provides a communication channel to the PC host side. This can be used to create graphical user interfaces (GUIs) and other programs on the PC that communicate with the LaunchPad development kit.

Figure 2-3 shows the pathway of the backchannel UART. The backchannel UART is connected to UART0 (PA8, PA9) depending on the jumper settings on headers J16 and J17.

On the host side, a virtual COM port for the application backchannel UART is generated when the LaunchPad development kit enumerates on the host. You can use any PC application that interfaces with COM ports, including terminal applications like Hyperterminal or Docklight, to open this port and communicate with the target application. You need to identify the COM port for the backchannel. On Windows PCs, Device Manager can assist.

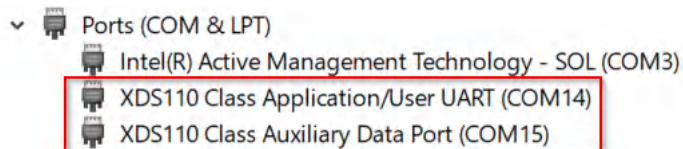


Figure 2-3. Application Backchannel UART in Device Manager

The backchannel UART is the *XDS110 Class Application/User UART* port. In this case, Figure 2-3 shows COM14, but this port can vary from one host PC to the next. After identifying the correct COM port, configure the port in the host application according to documentation. The user can then open the port and begin communication from the host.

On the target MSPM0C1104 side, the backchannel is connected to the UART0 module. The XDS110 has a configurable baud rate; therefore, the PC application configuring the baud rate to be the same as what is configured on the UART0 is important.

2.4 Measure Current Draw of the MSPM0C1104

To measure the current draw of the MSPM0L1306 MCU using a multimeter, use the 3V3 jumper on the J101 jumper isolation block. The current measured includes the target device, launchpad circuits, and any current drawn through the BoosterPack plug-in module headers.

To measure ultra-low power, follow these steps:

1. Remove the 3V3 jumper in the J101 isolation block, and attach an ammeter across this jumper.
2. Consider the effect that the backchannel UART and any circuitry attached to the MSPM0C1104 can have on the current draw. Consider disconnecting these at the isolation jumper block, or at least consider the current sinking and sourcing capability in the final measurement.
3. Make sure there are no floating inputs/outputs (I/Os) on the MSPM0C1104. This causes unnecessary extra current draw. Every I/O is either driven or, if the I/O is an input, is pulled or driven to a high or low level.
4. Begin target execution.
5. For the most accurate current measurements, place the device in *Free Run* mode and disconnect programming signals between the MSPM0L1306 and the debug portion of the board (header J101).
6. Measure the current. Keep in mind that if the current levels are fluctuating, then getting a stable measurement can be difficult. Measuring the quiescent states is easier.

2.5 Clocking

The internal SYSOSC is 24MHz as default at the accuracy of 2.5%. The MCLK is sourced by 32MHz SYSOSC at default. CPUCLK is sourced directly from MCLK in RUN mode and disabled in other modes. The low-power clock (ULPCLK) can be sourced by MCLK and active in RUN and SLEEP mode by configuration. For more clock tree details, see Section 2.3 *Clock Module (CKM)* of the *MSPM0 C-Series Microcontrollers Technical Reference Manual*.

2.6 BoosterPack Plug-in Module Pinout

The LaunchPad development kit adheres to the 20-pin LaunchPad development kit pinout standard, where pins are available. A standard was created to aid compatibility between LaunchPad development kits and BoosterPack plug-in modules across the TI ecosystem.

While most BoosterPack plug-in modules are compliant with the standard, some are not. If the reseller or owner of the BoosterPack plug-in module does not explicitly indicate compatibility with the MSPM0C1104 LaunchPad development kit, then compare the schematic of the candidate BoosterPack plug-in module with the LaunchPad development kit to verify compatibility. Conflicts can be resolved by changing the MSPM0C1104 device pin function configuration in software.

3 Software

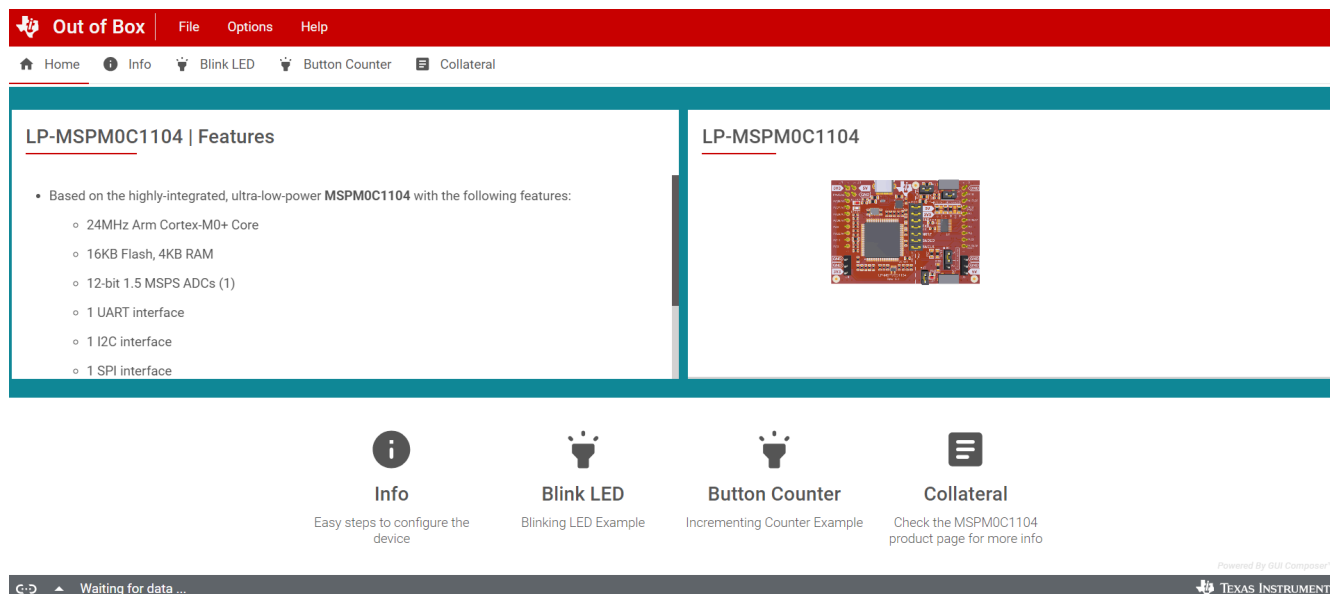
3.1 Software Development Options

There are multiple ways to prototype with LP-MSPM0C1104:

1. Out-of-box GUI - Choose this option for an easy demo of LP-MSPM0C1104.
2. CCS Cloud - Choose this option to get started quickly with minimal installation.
3. CCS Theia - Choose this option to work offline and have full access to debug features. See CCS Theia documentation to get started.
4. CCS Eclipse - This option is supported but is a legacy tool and is not covered in this guide.

3.2 Out-of-box GUI

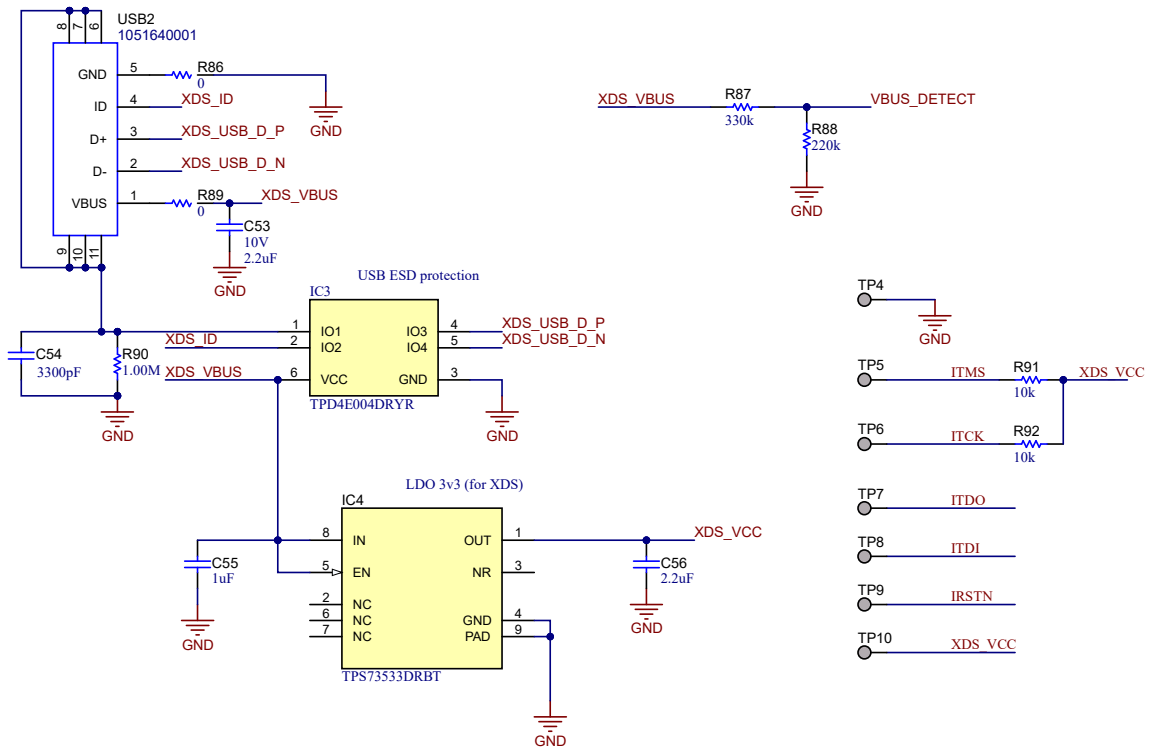
Get started right away with the out-of-box example on LP-MSPM0C1104. Simply navigate to the [Out-of-box GUI](#) and plug in LP-MSPM0C1104 to a PC, Mac, or Linux workstation. This GUI provides control of the built in LED and a dashboard of the current state of LP-MSPM0C1104. Find instructions to start prototyping below.



3.3 CCS Cloud

1. Navigate to dev.ti.com. The user can be required to install CCS Cloud Agent. If so, then follow the steps to complete this installation.
2. Plug LP-MSPM0C1104 using a micro-USB cable. TI Developer Zone automatically detects that LP-MSPM0C1104 has been plugged in.
3. Click *Browse software and examples*, which opens the MSPM0 SDK in a new window.
4. In the left bar, navigate to Arm-based microcontrollers > Embedded Software > MSPM0 SDK > Examples > Development Tools > DriverLib > gpio_toggle_output > No RTOS > TI Clang Compiler > gpio_toggle_output.
5. Click the *Import* button in the top right corner of the screen. This action imports the project into CCS Cloud and open in a new window.
6. In CCS Cloud, click the debug icon in the left bar to open the debug view.
7. Click the *play* button to deploy the code to the device and open a debug session. By default, the debugger pauses the first line of code.
8. Click the blue *play* button to start the application.
9. The red LED on LP-MSPM0C1104 needs to be blinking.

Now, the user is ready to begin prototyping by modifying the code or by importing a different example code.



PCB Number: MCU0118
PCB Rev: E1
Printed Circuit Board

Logo3
PCB
LOGO
LaunchPad Rocket

Logo2
PCB
LOGO
Texas Instruments

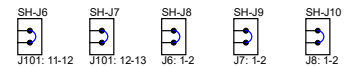
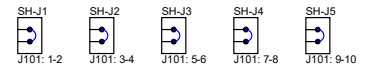
Logo4
PCB
LOGO
ESD Susceptible

Logo5
PCB
LOGO
Texas Instruments



Logo6
PCB
LOGO
FCC disclaimer

Logo7
PCB
LOGO
WEEE logo



ZZ1
Assembly Note
These assemblies must comply with workmanship standards IPC-A-610 Class 2, unless otherwise specified.

ZZ2
Assembly Note
These assemblies are ESD sensitive, ESD precautions shall be observed.

ZZ3
Assembly Note
These assemblies must be clean and free from flux and all contaminants. Use of no clean flux is not acceptable.

4.2 PCB Layouts

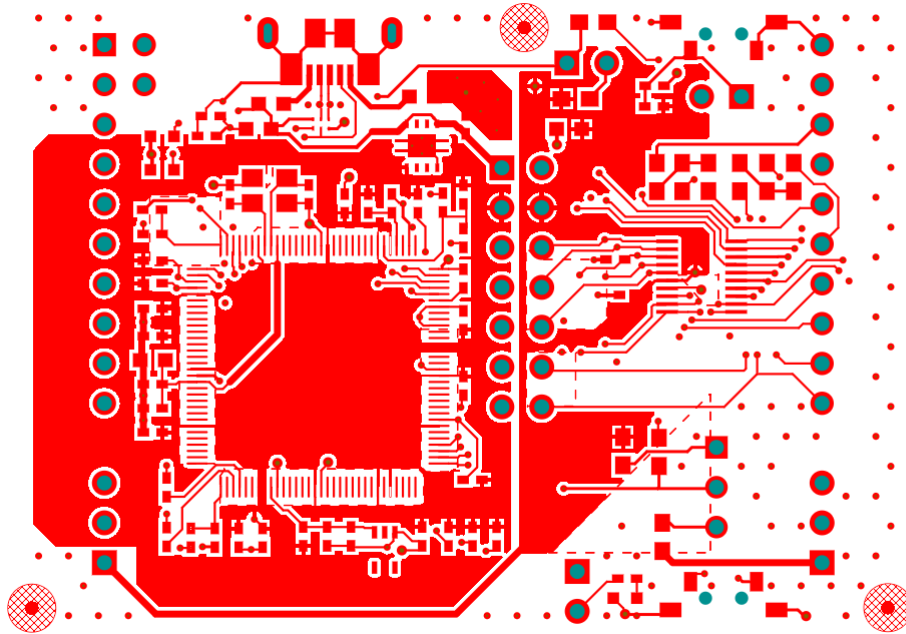


Figure 4-1. Layer 1: Top, Signal and Power

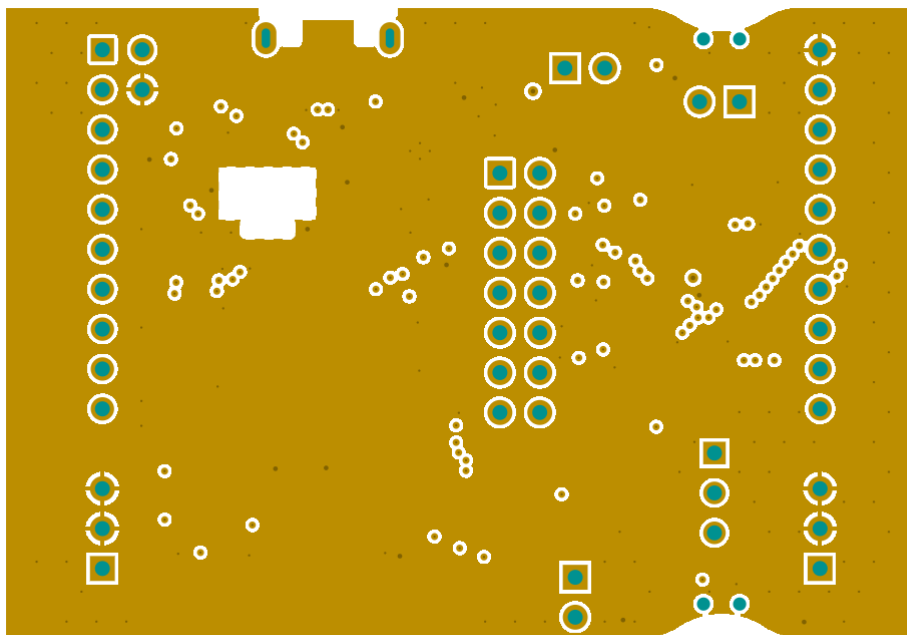


Figure 4-2. Layer 2: Ground

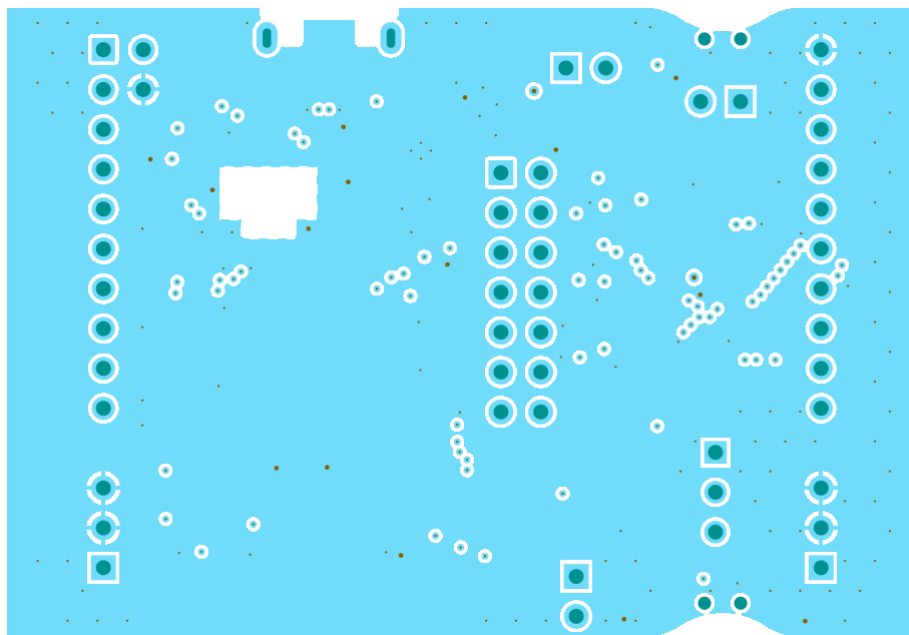


Figure 4-3. Layer 3: Ground

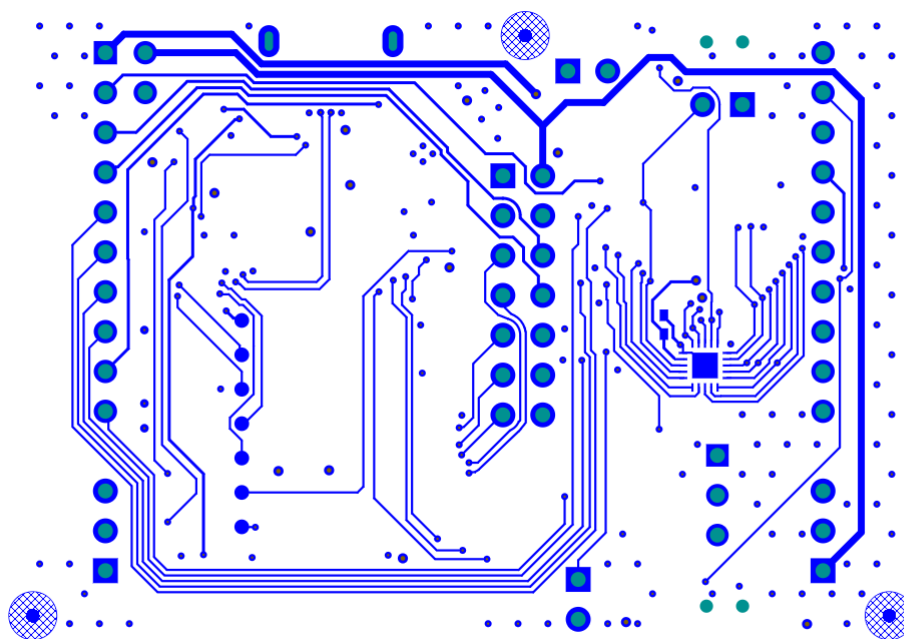


Figure 4-4. Layer 4: Bottom, Signal

4.3 Bill of Materials (BOM)

Table 4-1. Bill of Materials

Designator	Qty	Value	Description	Package Reference	Part Number	Manufacturer
!PCB1	1		Printed Circuit Board		MCU0118	Any
C1	1	10uF	CAP, CERM, 10uF, 6.3V, +/-20%, X5R, 0603	0603	GRM188R60J106ME84	MuRata
C6, C14, C15, C16, C22, C26	6	0.01uF	CAP, CERM, 0.01uF, 25V, +/-10%, X7R, 0402	0402	GRM155R71E103KA01D	MuRata
C7, C13, C17, C18, C20, C24, C27, C28	8	0.1uF	CAP, CERM, 0.1uF, 6.3V, +/-10%, X7R, 0402	0402	GRM155R70J104KA01D	MuRata
C19, C21, C25, C55	4	1uF	CAP, CERM, 1uF, 25V, +/-10%, X5R, 0402	0402	C1005X5R1E105K050BC	TDK
C23, C53	2	2.2uF	CAP, CERM, 2.2uF, 10V, +/-10%, X5R, 0603	0603	C0603C225K8PACTU	Kemet
C29, C30	2	12pF	CAP, CERM, 12pF, 50V, +/-5%, C0G/NP0, 0402	0402	GRM1555C1H120JA01D	MuRata
C54	1	3300pF	CAP, CERM, 3300pF, 50V, +/-10%, X7R, 0402	0402	GRM155R71H332KA01D	MuRata
C56	1	2.2uF	CAP, CERM, 2.2uF, 6.3V, +/-10%, X5R, 0402	0402	GRM155R60J225KE95D	MuRata
IC3	1		ESD-Protection Array for High-Speed Data Interfaces, 4 Channels, -40 to +85 degC, 6-pin SON (DRY), Green (RoHS & no Sb/Br)	DRY0006A	TPD4E004DRYR	Texas Instruments
IC4	1		500mA, Adjustable, Low Quiescent Current, Low-Noise, High-PSRR, Single-Output LDO Regulator, DRB0008A (VSON-8)	DRB0008A	TPS73533DRBT	Texas Instruments
IC5	1		Precision Micropower Shunt Voltage Reference, 0.5% accuracy, 2.5V, 15ppm / °C, 15mA, -40°C to 85°C, 5-pin SC70 (DCK), Green (RoHS & no Sb/Br)	DCK0005A	LM4040C25IDCKR	Texas Instruments
J1	1		Receptacle, 2.54mm, 10x1, Gold, TH	10x1 Receptacle	SSQ-110-03-F-S	Samtec
J2	1		Receptacle, 2.54mm, 10x1, Gold, TH	10x1 Receptacle	SSQ-110-03-F-S	Samtec
J3	1		Receptacle, 2.54mm, 2x1, Gold, TH	2x1 Receptacle	SSQ-102-03-F-S	Samtec
J4, J5, J6	3		Header, 100mil, 3x1, Tin, TH	Header, 3 PIN, 100mil, Tin	PEC03SAAN	Sullins Connector Solutions
J7, J8, J9	3		Header, 100mil, 2x1, Tin, TH	Header 2x1	90120-0122	Molex
J101	1		Header, 100mil, 7x2, Gold, TH	7x2 Header	TSW-107-07-G-D	Samtec

Table 4-1. Bill of Materials (continued)

Designator	Qty	Value	Description	Package Reference	Part Number	Manufacturer
LED1, LED101	2	Red	LED, Red, SMD	Red LED, 1.6x0.8x0.8mm	LTST-C190KRKT	Lite-On
LED102	1	Green	LED, Green, SMD	1.6x0.8x0.8mm	LTST-C190GKT	Lite-On
R1, R7, R8, R9, R86, R89	6	0	RES, 0, 5%, 0.1 W, 0603	0603	RC0603JR-070RL	Yageo
R2	1	47k	RES, 47 k, 5%, 0.063 W, 0402	0402	CRCW040247K0JNED	Vishay-Dale
R3, R18, R21	3	2.2k	RES, 2.2 k, 5%, 0.1 W, 0603	0603	RC0603JR-072K2L	Yageo
R4, R29, R30	3	470	RES, 470, 5%, 0.063 W, 0402	0402	CRCW0402470RJNED	Vishay-Dale
R5, R19	2	270	RES, 270, 5%, 0.1 W, 0603	0603	RC0603JR-07270RL	Yageo
R6	1	3.30k	RES, 3.30 k, 1%, 0.1 W, AEC- Q200 Grade 0, 0402	0402	ERJ-2RKF3301X	Panasonic
R24, R25, R26, R34	4	1.0k	RES, 1.0 k, 5%, 0.063 W, 0402	0402	CRCW04021K00JNED	Vishay-Dale
R28, R33	2	100	RES, 100, 5%, 0.063 W, AEC- Q200 Grade 0, 0402	0402	CRCW0402100RJNED	Vishay-Dale
R31, R91, R92	3	10k	RES, 10 k, 5%, 0.063 W, 0402	0402	CRCW040210K0JNED	Vishay-Dale
R32	1	4.87k	RES, 4.87 k, 1%, 0.063 W, AEC-Q200 Grade 0, 0402	0402	CRCW04024K87FKED	Vishay-Dale
R35	1	51	RES, 51, 5%, 0.063 W, AEC- Q200 Grade 0, 0402	0402	CRCW040251R0JNED	Vishay-Dale
R87	1	330k	RES, 330 k, 1%, 0.0625 W, 0402	0402	RC0402FR-07330KL	Yageo America
R88	1	220k	RES, 220 k, 1%, 0.0625 W, 0402	0402	RC0402FR-07220KL	Yageo America
R90	1	1.00Meg	RES, 1.00M, 1%, 0.063 W, 0402	0402	CRCW04021M00FKED	Vishay-Dale
S1, S2	2		Switch, SPST, 0.05A, 12 VDC, SMD	7.8x3.5mm	1188E-1K2-V-TR	Diptronics
SH-J1	1	J101: 1-2	Shunt, 100mil, Gold plated, Black	Shunt	SNT-100-BK-G	Samtec
SH-J2	1	J101: 3-4	Shunt, 100mil, Gold plated, Black	Shunt	SNT-100-BK-G	Samtec
SH-J3	1	J101: 5-6	Shunt, 100mil, Gold plated, Black	Shunt	SNT-100-BK-G	Samtec
SH-J4	1	J101: 7-8	Shunt, 100mil, Gold plated, Black	Shunt	SNT-100-BK-G	Samtec
SH-J5	1	J101: 9-10	Shunt, 100mil, Gold plated, Black	Shunt	SNT-100-BK-G	Samtec
SH-J6	1	J101: 11-12	Shunt, 100mil, Gold plated, Black	Shunt	SNT-100-BK-G	Samtec
SH-J7	1	J101: 12-13	Shunt, 100mil, Gold plated, Black	Shunt	SNT-100-BK-G	Samtec
SH-J8	1	J6: 1-2	Shunt, 100mil, Gold plated, Black	Shunt	SNT-100-BK-G	Samtec

Table 4-1. Bill of Materials (continued)

Designator	Qty	Value	Description	Package Reference	Part Number	Manufacturer
SH-J9	1	J7: 1-2	Shunt, 100mil, Gold plated, Black	Shunt	SNT-100-BK-G	Samtec
SH-J10	1	J8: 1-2	Shunt, 100mil, Gold plated, Black	Shunt	SNT-100-BK-G	Samtec
SH-J11	1	J9: 1-2	Shunt, 100mil, Gold plated, Black	Shunt	SNT-100-BK-G	Samtec
U2	0		Mixed-Signal Microcontrollers	VQFN20	MSPM0C1104SRUKR	Texas Instruments
USB2	1		Receptacle, USB 2.0, Micro B, 5 Position, R/A, SMT	Receptacle, USB 2.0, Micro B, 5 Pos, 0.65mm Pitch, R/A, SMT	1051640001	Molex
XDS1	1		MSP432E401YTPDT, PDT0128A (TQFP-128)	PDT0128A	MSP432E401YTPDTR	Texas Instruments
Y3	1		Crystal, 16MHz, 8pF, SMD	3.2x0.75x2.5mm	NX3225GA-16.000M-STD-CRG-1	NDK
C2	0	0.1uF	CAP, CERM, 0.1uF, 6.3V, +/-10%, X7R, 0402	0402	GRM155R70J104KA01D	MuRata
C3	0	0.47uF	CAP, CERM, 0.47uF, 6.3V, +/-10%, X5R, 0402	0402	GRM155R60J474KE19D	MuRata
U1	1		Mixed-Signal Microcontrollers	VSSOP20	MSPM0C1104SDGSR	Texas Instruments

5 Additional Information

5.1 Trademarks

LaunchPad™, BoosterPack™, Code Composer Studio™, EnergyTrace™, TI E2E™, and SimpleLink™ are trademarks of Texas Instruments.

Embedded Workbench™ is a trademark of IAR Systems.

Ethernet™ is a trademark of Xerox Corporation.

Arm®, Cortex®, Keil®, and μVision® are registered trademarks of Arm Limited.

Mac® is a registered trademark of Apple Inc.

Linux® is a registered trademark of Linus Torvalds.

All trademarks are the property of their respective owners.

6 Revision History

NOTE: Page numbers for previous revisions may differ from page numbers in the current version.

Changes from Revision A (December 2023) to Revision B (May 2024) Page

- Updated schematics..... 8

Changes from Revision * (October 2023) to Revision A (December 2023) Page

- Added hardware version E3 to *Hardware Overview*3
- Updated schematics..... 8

STANDARD TERMS FOR EVALUATION MODULES

1. *Delivery:* TI delivers TI evaluation boards, kits, or modules, including any accompanying demonstration software, components, and/or documentation which may be provided together or separately (collectively, an "EVM" or "EVMs") to the User ("User") in accordance with the terms set forth herein. User's acceptance of the EVM is expressly subject to the following terms.
 - 1.1 EVMs are intended solely for product or software developers for use in a research and development setting to facilitate feasibility evaluation, experimentation, or scientific analysis of TI semiconductors products. EVMs have no direct function and are not finished products. EVMs shall not be directly or indirectly assembled as a part or subassembly in any finished product. For clarification, any software or software tools provided with the EVM ("Software") shall not be subject to the terms and conditions set forth herein but rather shall be subject to the applicable terms that accompany such Software
 - 1.2 EVMs are not intended for consumer or household use. EVMs may not be sold, sublicensed, leased, rented, loaned, assigned, or otherwise distributed for commercial purposes by Users, in whole or in part, or used in any finished product or production system.
2. *Limited Warranty and Related Remedies/Disclaimers:*
 - 2.1 These terms do not apply to Software. The warranty, if any, for Software is covered in the applicable Software License Agreement.
 - 2.2 TI warrants that the TI EVM will conform to TI's published specifications for ninety (90) days after the date TI delivers such EVM to User. Notwithstanding the foregoing, TI shall not be liable for a nonconforming EVM if (a) the nonconformity was caused by neglect, misuse or mistreatment by an entity other than TI, including improper installation or testing, or for any EVMs that have been altered or modified in any way by an entity other than TI, (b) the nonconformity resulted from User's design, specifications or instructions for such EVMs or improper system design, or (c) User has not paid on time. Testing and other quality control techniques are used to the extent TI deems necessary. TI does not test all parameters of each EVM. User's claims against TI under this Section 2 are void if User fails to notify TI of any apparent defects in the EVMs within ten (10) business days after delivery, or of any hidden defects with ten (10) business days after the defect has been detected.
 - 2.3 TI's sole liability shall be at its option to repair or replace EVMs that fail to conform to the warranty set forth above, or credit User's account for such EVM. TI's liability under this warranty shall be limited to EVMs that are returned during the warranty period to the address designated by TI and that are determined by TI not to conform to such warranty. If TI elects to repair or replace such EVM, TI shall have a reasonable time to repair such EVM or provide replacements. Repaired EVMs shall be warranted for the remainder of the original warranty period. Replaced EVMs shall be warranted for a new full ninety (90) day warranty period.

WARNING

Evaluation Kits are intended solely for use by technically qualified, professional electronics experts who are familiar with the dangers and application risks associated with handling electrical mechanical components, systems, and subsystems.

User shall operate the Evaluation Kit within TI's recommended guidelines and any applicable legal or environmental requirements as well as reasonable and customary safeguards. Failure to set up and/or operate the Evaluation Kit within TI's recommended guidelines may result in personal injury or death or property damage. Proper set up entails following TI's instructions for electrical ratings of interface circuits such as input, output and electrical loads.

NOTE:

EXPOSURE TO ELECTROSTATIC DISCHARGE (ESD) MAY CAUSE DEGRADATION OR FAILURE OF THE EVALUATION KIT; TI RECOMMENDS STORAGE OF THE EVALUATION KIT IN A PROTECTIVE ESD BAG.

3 Regulatory Notices:

3.1 United States

3.1.1 Notice applicable to EVMs not FCC-Approved:

FCC NOTICE: This kit is designed to allow product developers to evaluate electronic components, circuitry, or software associated with the kit to determine whether to incorporate such items in a finished product and software developers to write software applications for use with the end product. This kit is not a finished product and when assembled may not be resold or otherwise marketed unless all required FCC equipment authorizations are first obtained. Operation is subject to the condition that this product not cause harmful interference to licensed radio stations and that this product accept harmful interference. Unless the assembled kit is designed to operate under part 15, part 18 or part 95 of this chapter, the operator of the kit must operate under the authority of an FCC license holder or must secure an experimental authorization under part 5 of this chapter.

3.1.2 For EVMs annotated as FCC – FEDERAL COMMUNICATIONS COMMISSION Part 15 Compliant:

CAUTION

This device complies with part 15 of the FCC Rules. Operation is subject to the following two conditions: (1) This device may not cause harmful interference, and (2) this device must accept any interference received, including interference that may cause undesired operation.

Changes or modifications not expressly approved by the party responsible for compliance could void the user's authority to operate the equipment.

FCC Interference Statement for Class A EVM devices

NOTE: This equipment has been tested and found to comply with the limits for a Class A digital device, pursuant to part 15 of the FCC Rules. These limits are designed to provide reasonable protection against harmful interference when the equipment is operated in a commercial environment. This equipment generates, uses, and can radiate radio frequency energy and, if not installed and used in accordance with the instruction manual, may cause harmful interference to radio communications. Operation of this equipment in a residential area is likely to cause harmful interference in which case the user will be required to correct the interference at his own expense.

FCC Interference Statement for Class B EVM devices

NOTE: This equipment has been tested and found to comply with the limits for a Class B digital device, pursuant to part 15 of the FCC Rules. These limits are designed to provide reasonable protection against harmful interference in a residential installation. This equipment generates, uses and can radiate radio frequency energy and, if not installed and used in accordance with the instructions, may cause harmful interference to radio communications. However, there is no guarantee that interference will not occur in a particular installation. If this equipment does cause harmful interference to radio or television reception, which can be determined by turning the equipment off and on, the user is encouraged to try to correct the interference by one or more of the following measures:

- Reorient or relocate the receiving antenna.
- Increase the separation between the equipment and receiver.
- Connect the equipment into an outlet on a circuit different from that to which the receiver is connected.
- Consult the dealer or an experienced radio/TV technician for help.

3.2 Canada

3.2.1 For EVMs issued with an Industry Canada Certificate of Conformance to RSS-210 or RSS-247

Concerning EVMs Including Radio Transmitters:

This device complies with Industry Canada license-exempt RSSs. Operation is subject to the following two conditions:

(1) this device may not cause interference, and (2) this device must accept any interference, including interference that may cause undesired operation of the device.

Concernant les EVMs avec appareils radio:

Le présent appareil est conforme aux CNR d'Industrie Canada applicables aux appareils radio exempts de licence. L'exploitation est autorisée aux deux conditions suivantes: (1) l'appareil ne doit pas produire de brouillage, et (2) l'utilisateur de l'appareil doit accepter tout brouillage radioélectrique subi, même si le brouillage est susceptible d'en compromettre le fonctionnement.

Concerning EVMs Including Detachable Antennas:

Under Industry Canada regulations, this radio transmitter may only operate using an antenna of a type and maximum (or lesser) gain approved for the transmitter by Industry Canada. To reduce potential radio interference to other users, the antenna type and its gain should be so chosen that the equivalent isotropically radiated power (e.i.r.p.) is not more than that necessary for successful communication. This radio transmitter has been approved by Industry Canada to operate with the antenna types listed in the user guide with the maximum permissible gain and required antenna impedance for each antenna type indicated. Antenna types not included in this list, having a gain greater than the maximum gain indicated for that type, are strictly prohibited for use with this device.

Concernant les EVMs avec antennes détachables

Conformément à la réglementation d'Industrie Canada, le présent émetteur radio peut fonctionner avec une antenne d'un type et d'un gain maximal (ou inférieur) approuvé pour l'émetteur par Industrie Canada. Dans le but de réduire les risques de brouillage radioélectrique à l'intention des autres utilisateurs, il faut choisir le type d'antenne et son gain de sorte que la puissance isotrope rayonnée équivalente (p.i.r.e.) ne dépasse pas l'intensité nécessaire à l'établissement d'une communication satisfaisante. Le présent émetteur radio a été approuvé par Industrie Canada pour fonctionner avec les types d'antenne énumérés dans le manuel d'usage et ayant un gain admissible maximal et l'impédance requise pour chaque type d'antenne. Les types d'antenne non inclus dans cette liste, ou dont le gain est supérieur au gain maximal indiqué, sont strictement interdits pour l'exploitation de l'émetteur.

3.3 Japan

3.3.1 *Notice for EVMs delivered in Japan:* Please see http://www.tij.co.jp/lstds/ti_ja/general/eStore/notice_01.page 日本国内に輸入される評価用キット、ボードについては、次のところをご覧ください。

<https://www.ti.com/ja-jp/legal/notice-for-evaluation-kits-delivered-in-japan.html>

3.3.2 *Notice for Users of EVMs Considered "Radio Frequency Products" in Japan:* EVMs entering Japan may not be certified by TI as conforming to Technical Regulations of Radio Law of Japan.

If User uses EVMs in Japan, not certified to Technical Regulations of Radio Law of Japan, User is required to follow the instructions set forth by Radio Law of Japan, which includes, but is not limited to, the instructions below with respect to EVMs (which for the avoidance of doubt are stated strictly for convenience and should be verified by User):

1. Use EVMs in a shielded room or any other test facility as defined in the notification #173 issued by Ministry of Internal Affairs and Communications on March 28, 2006, based on Sub-section 1.1 of Article 6 of the Ministry's Rule for Enforcement of Radio Law of Japan,
2. Use EVMs only after User obtains the license of Test Radio Station as provided in Radio Law of Japan with respect to EVMs, or
3. Use of EVMs only after User obtains the Technical Regulations Conformity Certification as provided in Radio Law of Japan with respect to EVMs. Also, do not transfer EVMs, unless User gives the same notice above to the transferee. Please note that if User does not follow the instructions above, User will be subject to penalties of Radio Law of Japan.

【無線電波を送信する製品の開発キットをお使いになる際の注意事項】 開発キットの中には技術基準適合証明を受けていないものがあります。技術適合証明を受けていないものご使用に際しては、電波法遵守のため、以下のいずれかの措置を取っていただく必要がありますのでご注意ください。

1. 電波法施行規則第6条第1項第1号に基づく平成18年3月28日総務省告示第173号で定められた電波暗室等の試験設備でご使用いただく。
2. 実験局の免許を取得後ご使用いただく。
3. 技術基準適合証明を取得後ご使用いただく。

なお、本製品は、上記の「ご使用にあたっての注意」を譲渡先、移転先に通知しない限り、譲渡、移転できないものとします。

上記を遵守頂けない場合は、電波法の罰則が適用される可能性があることをご留意ください。日本テキサス・イ

ンスツルメンツ株式会社

東京都新宿区西新宿 6 丁目 2 4 番 1 号

西新宿三井ビル

3.3.3 *Notice for EVMs for Power Line Communication:* Please see http://www.tij.co.jp/lstds/ti_ja/general/eStore/notice_02.page

電力線搬送波通信についての開発キットをお使いになる際の注意事項については、次のところをご覧ください。 <https://www.ti.com/ja-jp/legal/notice-for-evaluation-kits-for-power-line-communication.html>

3.4 European Union

3.4.1 *For EVMs subject to EU Directive 2014/30/EU (Electromagnetic Compatibility Directive):*

This is a class A product intended for use in environments other than domestic environments that are connected to a low-voltage power-supply network that supplies buildings used for domestic purposes. In a domestic environment this product may cause radio interference in which case the user may be required to take adequate measures.

-
- 4 *EVM Use Restrictions and Warnings:*
 - 4.1 EVMS ARE NOT FOR USE IN FUNCTIONAL SAFETY AND/OR SAFETY CRITICAL EVALUATIONS, INCLUDING BUT NOT LIMITED TO EVALUATIONS OF LIFE SUPPORT APPLICATIONS.
 - 4.2 User must read and apply the user guide and other available documentation provided by TI regarding the EVM prior to handling or using the EVM, including without limitation any warning or restriction notices. The notices contain important safety information related to, for example, temperatures and voltages.
 - 4.3 *Safety-Related Warnings and Restrictions:*
 - 4.3.1 User shall operate the EVM within TI's recommended specifications and environmental considerations stated in the user guide, other available documentation provided by TI, and any other applicable requirements and employ reasonable and customary safeguards. Exceeding the specified performance ratings and specifications (including but not limited to input and output voltage, current, power, and environmental ranges) for the EVM may cause personal injury or death, or property damage. If there are questions concerning performance ratings and specifications, User should contact a TI field representative prior to connecting interface electronics including input power and intended loads. Any loads applied outside of the specified output range may also result in unintended and/or inaccurate operation and/or possible permanent damage to the EVM and/or interface electronics. Please consult the EVM user guide prior to connecting any load to the EVM output. If there is uncertainty as to the load specification, please contact a TI field representative. During normal operation, even with the inputs and outputs kept within the specified allowable ranges, some circuit components may have elevated case temperatures. These components include but are not limited to linear regulators, switching transistors, pass transistors, current sense resistors, and heat sinks, which can be identified using the information in the associated documentation. When working with the EVM, please be aware that the EVM may become very warm.
 - 4.3.2 EVMs are intended solely for use by technically qualified, professional electronics experts who are familiar with the dangers and application risks associated with handling electrical mechanical components, systems, and subsystems. User assumes all responsibility and liability for proper and safe handling and use of the EVM by User or its employees, affiliates, contractors or designees. User assumes all responsibility and liability to ensure that any interfaces (electronic and/or mechanical) between the EVM and any human body are designed with suitable isolation and means to safely limit accessible leakage currents to minimize the risk of electrical shock hazard. User assumes all responsibility and liability for any improper or unsafe handling or use of the EVM by User or its employees, affiliates, contractors or designees.
 - 4.4 User assumes all responsibility and liability to determine whether the EVM is subject to any applicable international, federal, state, or local laws and regulations related to User's handling and use of the EVM and, if applicable, User assumes all responsibility and liability for compliance in all respects with such laws and regulations. User assumes all responsibility and liability for proper disposal and recycling of the EVM consistent with all applicable international, federal, state, and local requirements.
 5. *Accuracy of Information:* To the extent TI provides information on the availability and function of EVMs, TI attempts to be as accurate as possible. However, TI does not warrant the accuracy of EVM descriptions, EVM availability or other information on its websites as accurate, complete, reliable, current, or error-free.
 6. *Disclaimers:*
 - 6.1 EXCEPT AS SET FORTH ABOVE, EVMS AND ANY MATERIALS PROVIDED WITH THE EVM (INCLUDING, BUT NOT LIMITED TO, REFERENCE DESIGNS AND THE DESIGN OF THE EVM ITSELF) ARE PROVIDED "AS IS" AND "WITH ALL FAULTS." TI DISCLAIMS ALL OTHER WARRANTIES, EXPRESS OR IMPLIED, REGARDING SUCH ITEMS, INCLUDING BUT NOT LIMITED TO ANY EPIDEMIC FAILURE WARRANTY OR IMPLIED WARRANTIES OF MERCHANTABILITY OR FITNESS FOR A PARTICULAR PURPOSE OR NON-INFRINGEMENT OF ANY THIRD PARTY PATENTS, COPYRIGHTS, TRADE SECRETS OR OTHER INTELLECTUAL PROPERTY RIGHTS.
 - 6.2 EXCEPT FOR THE LIMITED RIGHT TO USE THE EVM SET FORTH HEREIN, NOTHING IN THESE TERMS SHALL BE CONSTRUED AS GRANTING OR CONFERRING ANY RIGHTS BY LICENSE, PATENT, OR ANY OTHER INDUSTRIAL OR INTELLECTUAL PROPERTY RIGHT OF TI, ITS SUPPLIERS/LICENSORS OR ANY OTHER THIRD PARTY, TO USE THE EVM IN ANY FINISHED END-USER OR READY-TO-USE FINAL PRODUCT, OR FOR ANY INVENTION, DISCOVERY OR IMPROVEMENT, REGARDLESS OF WHEN MADE, CONCEIVED OR ACQUIRED.
 7. *USER'S INDEMNITY OBLIGATIONS AND REPRESENTATIONS.* USER WILL DEFEND, INDEMNIFY AND HOLD TI, ITS LICENSORS AND THEIR REPRESENTATIVES HARMLESS FROM AND AGAINST ANY AND ALL CLAIMS, DAMAGES, LOSSES, EXPENSES, COSTS AND LIABILITIES (COLLECTIVELY, "CLAIMS") ARISING OUT OF OR IN CONNECTION WITH ANY HANDLING OR USE OF THE EVM THAT IS NOT IN ACCORDANCE WITH THESE TERMS. THIS OBLIGATION SHALL APPLY WHETHER CLAIMS ARISE UNDER STATUTE, REGULATION, OR THE LAW OF TORT, CONTRACT OR ANY OTHER LEGAL THEORY, AND EVEN IF THE EVM FAILS TO PERFORM AS DESCRIBED OR EXPECTED.

8. *Limitations on Damages and Liability:*

8.1 *General Limitations.* IN NO EVENT SHALL TI BE LIABLE FOR ANY SPECIAL, COLLATERAL, INDIRECT, PUNITIVE, INCIDENTAL, CONSEQUENTIAL, OR EXEMPLARY DAMAGES IN CONNECTION WITH OR ARISING OUT OF THESE TERMS OR THE USE OF THE EVMS , REGARDLESS OF WHETHER TI HAS BEEN ADVISED OF THE POSSIBILITY OF SUCH DAMAGES. EXCLUDED DAMAGES INCLUDE, BUT ARE NOT LIMITED TO, COST OF REMOVAL OR REINSTALLATION, ANCILLARY COSTS TO THE PROCUREMENT OF SUBSTITUTE GOODS OR SERVICES, RETESTING, OUTSIDE COMPUTER TIME, LABOR COSTS, LOSS OF GOODWILL, LOSS OF PROFITS, LOSS OF SAVINGS, LOSS OF USE, LOSS OF DATA, OR BUSINESS INTERRUPTION. NO CLAIM, SUIT OR ACTION SHALL BE BROUGHT AGAINST TI MORE THAN TWELVE (12) MONTHS AFTER THE EVENT THAT GAVE RISE TO THE CAUSE OF ACTION HAS OCCURRED.

8.2 *Specific Limitations.* IN NO EVENT SHALL TI'S AGGREGATE LIABILITY FROM ANY USE OF AN EVM PROVIDED HEREUNDER, INCLUDING FROM ANY WARRANTY, INDEMNITY OR OTHER OBLIGATION ARISING OUT OF OR IN CONNECTION WITH THESE TERMS, , EXCEED THE TOTAL AMOUNT PAID TO TI BY USER FOR THE PARTICULAR EVM(S) AT ISSUE DURING THE PRIOR TWELVE (12) MONTHS WITH RESPECT TO WHICH LOSSES OR DAMAGES ARE CLAIMED. THE EXISTENCE OF MORE THAN ONE CLAIM SHALL NOT ENLARGE OR EXTEND THIS LIMIT.

9. *Return Policy.* Except as otherwise provided, TI does not offer any refunds, returns, or exchanges. Furthermore, no return of EVM(s) will be accepted if the package has been opened and no return of the EVM(s) will be accepted if they are damaged or otherwise not in a resalable condition. If User feels it has been incorrectly charged for the EVM(s) it ordered or that delivery violates the applicable order, User should contact TI. All refunds will be made in full within thirty (30) working days from the return of the components(s), excluding any postage or packaging costs.

10. *Governing Law:* These terms and conditions shall be governed by and interpreted in accordance with the laws of the State of Texas, without reference to conflict-of-laws principles. User agrees that non-exclusive jurisdiction for any dispute arising out of or relating to these terms and conditions lies within courts located in the State of Texas and consents to venue in Dallas County, Texas. Notwithstanding the foregoing, any judgment may be enforced in any United States or foreign court, and TI may seek injunctive relief in any United States or foreign court.

Mailing Address: Texas Instruments, Post Office Box 655303, Dallas, Texas 75265
Copyright © 2023, Texas Instruments Incorporated

IMPORTANT NOTICE AND DISCLAIMER

TI PROVIDES TECHNICAL AND RELIABILITY DATA (INCLUDING DATA SHEETS), DESIGN RESOURCES (INCLUDING REFERENCE DESIGNS), APPLICATION OR OTHER DESIGN ADVICE, WEB TOOLS, SAFETY INFORMATION, AND OTHER RESOURCES "AS IS" AND WITH ALL FAULTS, AND DISCLAIMS ALL WARRANTIES, EXPRESS AND IMPLIED, INCLUDING WITHOUT LIMITATION ANY IMPLIED WARRANTIES OF MERCHANTABILITY, FITNESS FOR A PARTICULAR PURPOSE OR NON-INFRINGEMENT OF THIRD PARTY INTELLECTUAL PROPERTY RIGHTS.

These resources are intended for skilled developers designing with TI products. You are solely responsible for (1) selecting the appropriate TI products for your application, (2) designing, validating and testing your application, and (3) ensuring your application meets applicable standards, and any other safety, security, regulatory or other requirements.

These resources are subject to change without notice. TI grants you permission to use these resources only for development of an application that uses the TI products described in the resource. Other reproduction and display of these resources is prohibited. No license is granted to any other TI intellectual property right or to any third party intellectual property right. TI disclaims responsibility for, and you will fully indemnify TI and its representatives against, any claims, damages, costs, losses, and liabilities arising out of your use of these resources.

TI's products are provided subject to [TI's Terms of Sale](#) or other applicable terms available either on [ti.com](https://www.ti.com) or provided in conjunction with such TI products. TI's provision of these resources does not expand or otherwise alter TI's applicable warranties or warranty disclaimers for TI products.

TI objects to and rejects any additional or different terms you may have proposed.

Mailing Address: Texas Instruments, Post Office Box 655303, Dallas, Texas 75265
Copyright © 2024, Texas Instruments Incorporated