

TPS53676 DCAP+, DC/DC Step-down Controller Evaluation Module for CPU/ASIC Core Rail Applications



ABSTRACT

The TPS53676EVM implements a typical application for a low-voltage, high current, dual output power converter, operating from a nominal 12-V input rail to produce a 0.88-V output rail at up to 240A (7-phases) of load current and a 0.8-V rail at up to 50 A (2-phases). The EVM includes test points for evaluating the performance of the TPS53676 controller and CSD95410 power stages.

Table of Contents

1 Introduction	3
2 Features	3
3 Applications	3
4 System Description	4
4.1 Phase configuration selection.....	7
4.2 Jumper details.....	8
4.3 On-board load transient.....	8
5 Test Equipment	10
6 Test Procedure	12
6.1 Start-up Test.....	12
6.2 Shut down Test.....	13
6.3 Steady-state Test.....	16
6.4 Load Transient Test.....	19
6.5 Efficiency Plot.....	21
6.6 Bode plot.....	22
7 Fusion GUI	24
8 Evaluation Module (EVM) Hardware	35
9 Schematic and Bill of Materials	43
10 Read This First	57
10.1 About This Manual.....	57
10.2 Glossary.....	57
10.3 Related Documentation.....	57
10.4 Support Resources.....	57

List of Figures

Figure 4-1. EVM Top View.....	5
Figure 4-2. EVM Bottom View.....	6
Figure 4-3. EVM Options.....	7
Figure 4-4. On Board Load transient.....	9
Figure 5-1. EVM Test Setup Showing the Power Supply, Load, and Oscilloscope Connections.....	10
Figure 6-1. VOUTA Enable startup with TON delay=0ms.....	12
Figure 6-2. VOUTB Enable startup with TON delay=0ms.....	13
Figure 6-3. VOUTA Enable OFF, Immediate-off.....	14
Figure 6-4. VOUTA Enable OFF Soft-off with TOFF delay=1ms.....	14
Figure 6-5. VOUTB Enable OFF, Immediate-off.....	15
Figure 6-6. VOUTB Enable OFF Soft-off with TOFF delay=1ms.....	16
Figure 6-7. VOUTA Steady-state Output voltage Ripple.....	17
Figure 6-8. VOUTA PWM Jitter.....	17
Figure 6-9. VOUTB Steady-state Output voltage Ripple.....	18
Figure 6-10. VOUTB PWM jitter.....	19
Figure 6-14. VOUTA Bode plot, Load current=50A.....	22

Figure 6-15. VOUTA Bode plot, Load current=20A.....	23
Figure 7-1. Launch Fusion GUI.....	24
Figure 7-2. System View for N+0 phase configuration.....	24
Figure 7-3. System View for N+M phase configuration.....	25
Figure 7-4. System Monitor for N+M phase configuration.....	26
Figure 7-5. System Monitor for N+0 phase configuration.....	27
Figure 7-6. General System Configure Tab.....	28
Figure 7-7. Rail Configuration Tab.....	28
Figure 7-8. Phase N+M Configuration.....	29
Figure 7-9. System Protection parameters config.....	29
Figure 7-10. Calibration tab.....	30
Figure 7-11. All Configuration tab.....	31
Figure 7-12. Static Configure Pop-Up.....	32
Figure 7-13. Monitor tab.....	33
Figure 7-14. Status tab.....	34
Figure 8-1. TPS53676EVM-084 Assembly Drawing Top View.....	35
Figure 8-2. TPS53676EVM-084 Assembly Drawing Bottom View.....	35
Figure 8-3. TPS53676EVM-084 PCB Top Solder.....	36
Figure 8-4. TPS53676EVM-084 PCB Top layer.....	36
Figure 8-5. TPS53676EVM-084 PCB Layer2-GND.....	37
Figure 8-6. TPS53676EVM-084 PCB Layer03-Signal.....	37
Figure 8-7. TPS53676EVM-084 PCB Layer04-GND.....	38
Figure 8-8. TPS53676EVM-084 PCB Layer05-Power.....	38
Figure 8-9. TPS53676EVM-084 PCB Layer06-GND.....	39
Figure 8-10. TPS53676EVM-084 PCB Layer07-Power.....	39
Figure 8-11. TPS53676EVM-084 PCB Layer08-Power.....	40
Figure 8-12. TPS53676EVM-084 PCB Layer09-GND.....	40
Figure 8-13. TPS53676EVM-084 PCB Layer10-Signal.....	41
Figure 8-14. TPS53676EVM-084 PCB Layer11-GND.....	41
Figure 8-15. TPS53676EVM-084 PCB Bottom layer.....	42
Figure 8-16. TPS53676EVM-084 PCB Bottom solder.....	42
Figure 9-1. TPS53676EVM-084 Aux power.....	43
Figure 9-2. TPS53676EVM-084 Controller Schematic.....	43
Figure 9-3. TPS53676EVM-084 Rail A Power Stages 1-2-3 Schematic.....	44
Figure 9-4. TPS53676EVM-084 Rail A Power Stages 4-5-6 Schematic.....	45
Figure 9-5. TPS53676EVM-084 Rail A Power Stages 7-8-9 Schematic.....	46
Figure 9-6. TPS53676EVM-084 Rail A Power Stages 10-11-12 Schematic.....	47
Figure 9-7. TPS53676EVM-084 Rail B Power Stages 1-2 Schematic.....	48
Figure 9-8. TPS53676EVM-084 Input and output filter Schematic.....	48
Figure 9-9. TPS53676EVM-084 On Board transient Load Schematic.....	49
Figure 9-10. TPS53676EVM-084 Helper Circuits and Indicators Schematic.....	49

Trademarks

PMBus™ is a trademark of SMIF, Inc..

TI E2E™ is a trademark of Texas Instruments.

All trademarks are the property of their respective owners.

1 Introduction

For ease of evaluation, the EVM requires only one (12-V) input supply and an output load to get started with testing, however the user can opt to independently provide 5-V for greater control over the Power stage voltage. With the addition of the Fusion Digital Power™ Designer software, the EVM's PMBus™ interface allows access to the controller NVM for evaluation of additional configuration, control and monitoring possibilities. Refer to the TPS53676 datasheet for complete information on configuring multi-phase operation with this controller.

2 Features

- Dual regulated high current outputs
- Configurable as maximum phases 7+0, 6+1 and 5+2.
- Programmable settings available through PMBus™ interface
 - Output voltage trim
 - Output voltage margin levels (high or low) within a maximum range
 - UVLO protection threshold
 - Soft-start slew-rate
 - Device enable and disable
 - Overcurrent warning and fault limits
 - Switching frequency
 - BOOT voltage
 - Monitoring of input and output voltage, current, power, and power stage temperature
- Convenient test points for probing critical waveforms
- 50 MHz AVSBus compliant, per PMBus 1.3.1 part III

3 Applications

- High-current ASIC and FPGA core power in the following equipment:
 - Wired and Wireless Networking
 - Enterprise Server and Storage Networks
 - Test and Measurement
 - Smart Grid Infrastructure
 - Aerospace and Defense
 - Merchant Power Supplies

4 System Description

The TPS53676EVM-084 is a 7-phase comprehensive evaluation module (EVM) for CPU/ASIC core power rail applications using the TPS53676 controller. [Figure 4-1](#) shows the top side of the EVM and [Figure 4-2](#) shows the bottom side of the EVM. The EVM possesses several hooks for placing meters and probes by providing appropriate test points on various nodes.

The copper lugs T1 and T2 are the conversion input terminals to the step-down DC/DC converter. Input terminals are the point of connection of the input DC voltage.

With J5 closed, an on-board buck converter (TPS62133) generates the 5-V power stage VDD voltage. With J5 open, TPS62133 is disabled, and the 5-V supply must be applied to J1 externally. A 5-V to 3.3-V LDO (TLV75733) generates the 3.3-V controller bias voltage, and also supplies auxiliary circuits and LEDs on the EVM.

The output terminals T3, T4, T5, T6, T7, T8, T9, T10, and T11 are copper lugs providing a connection point for the high-current load. [Figure 4-3](#) shows the location of all component details in the EVM. The setup is explained in detail in next section.

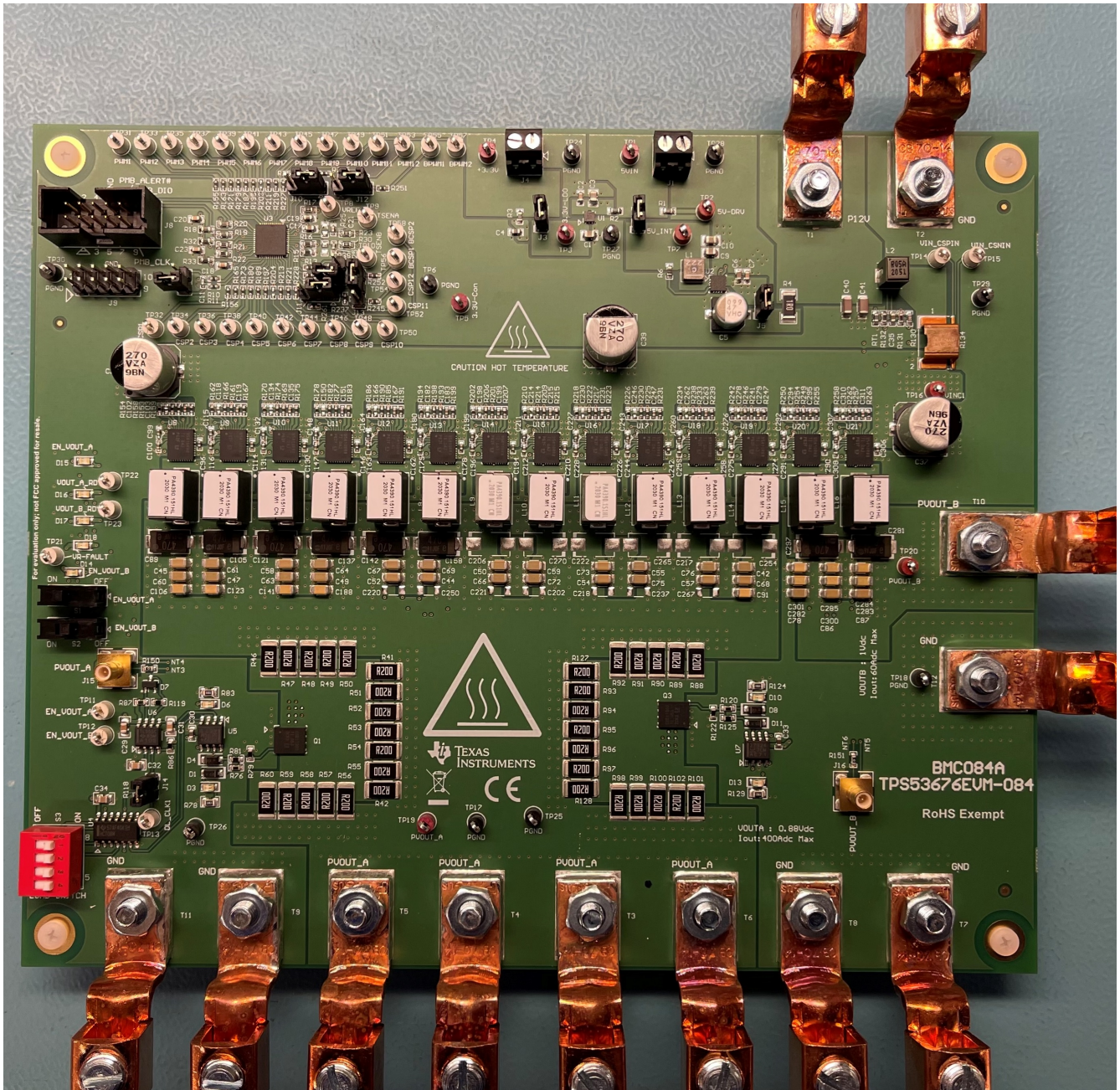


Figure 4-1. EVM Top View

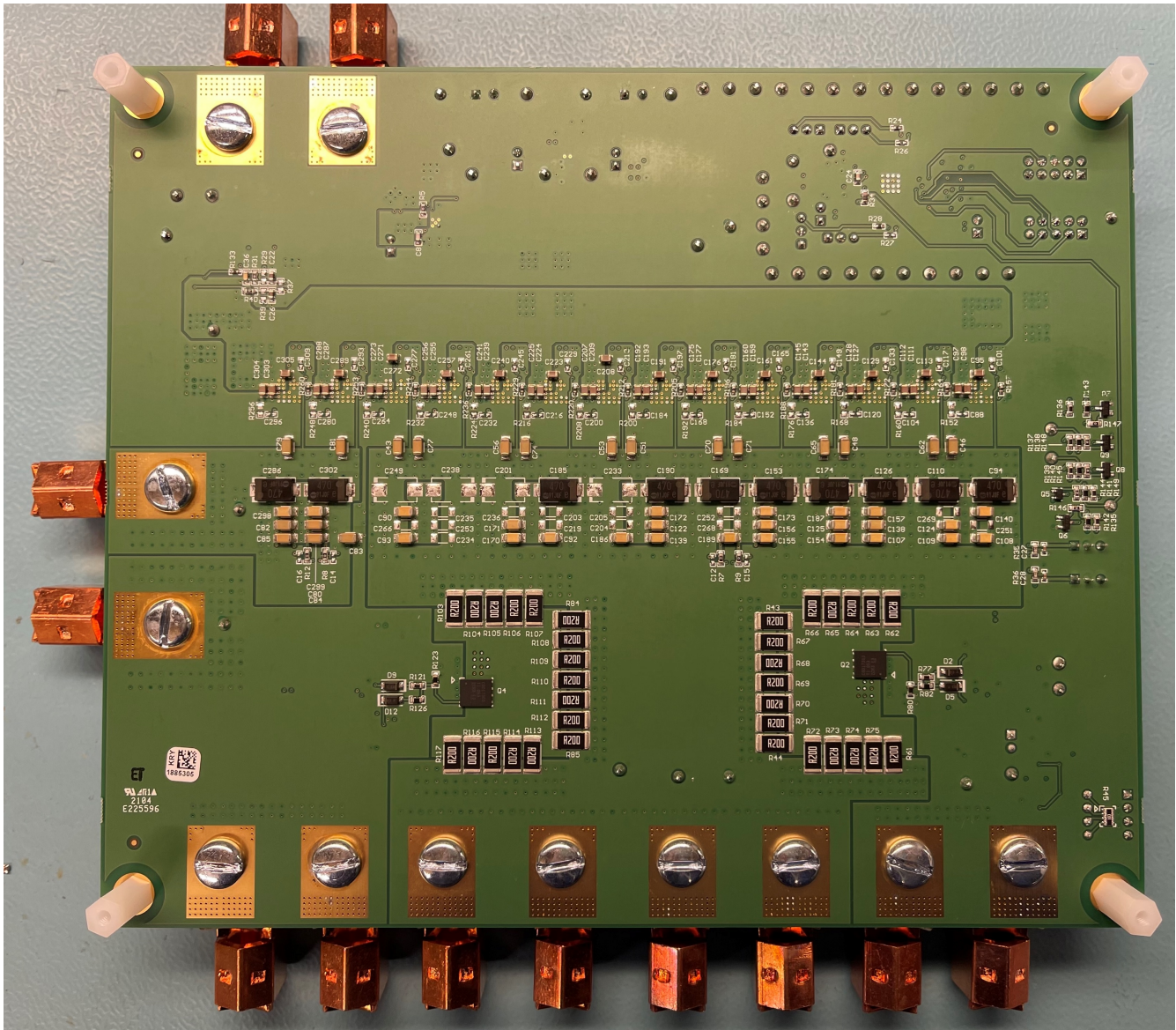


Figure 4-2. EVM Bottom View

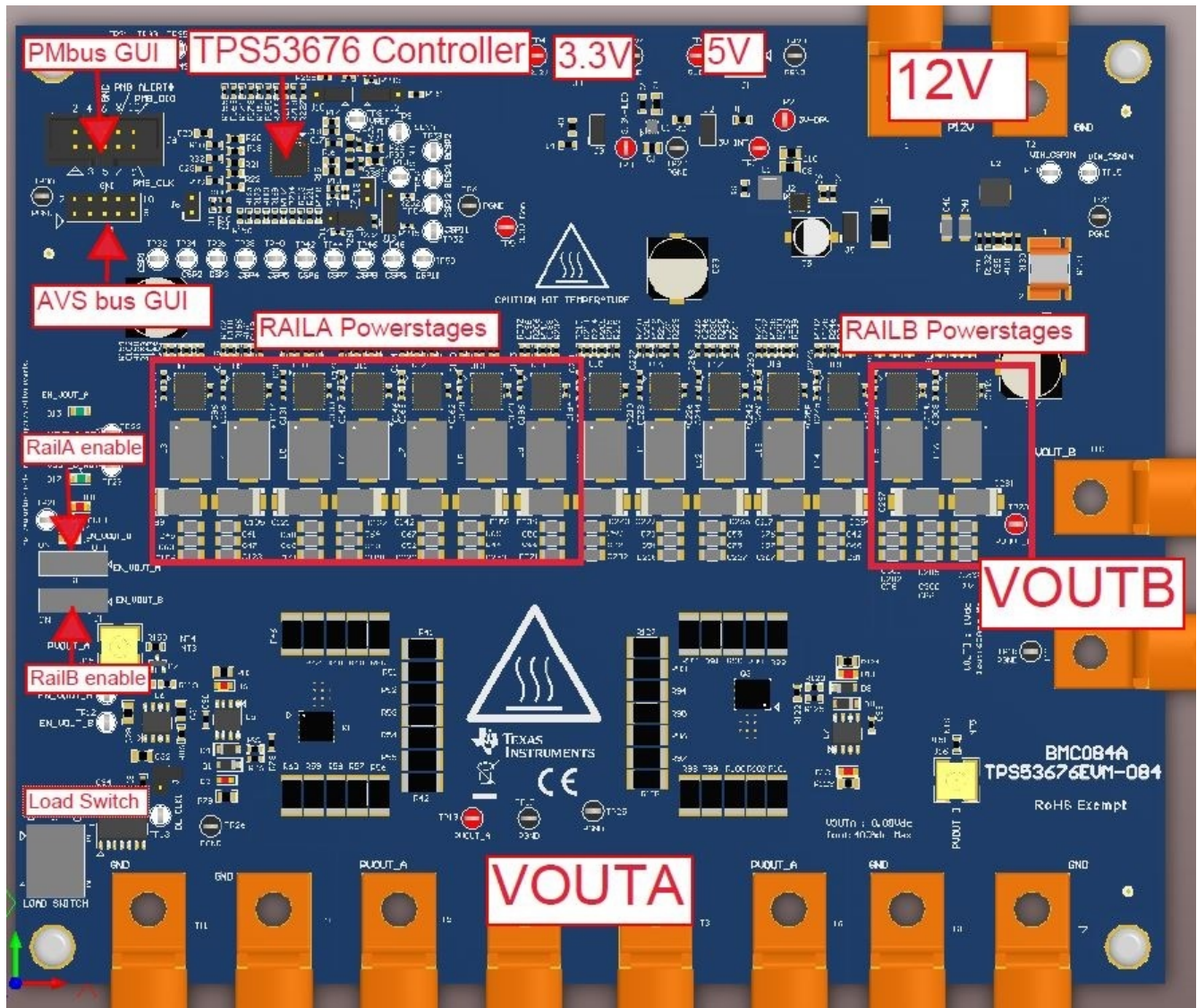


Figure 4-3. EVM Options

4.1 Phase configuration selection

This EVM supports testing of both rails (RAILA and RAILB). The maximum number of phases available for RAIL A is seven phases and for RAILB is two phases. PWM6 and PWM7 pins share control for both rails. The GUI allows the user to enable or disable phases. (see [Figure 7-8](#)) See also the TPS53676 data sheet for more details. Select the jumper settings for phase configuration 7+0,6+1,5+2 as shown in [Table 4-1](#) and [Table 4-2](#).

Table 4-1. Resistor settings for Phase configuration selection

Phase configuration	R24	R26	R27	R28	R195	R197	R203	R204
7+0	DNP	DNP	DNP	DNP	Populate	Populate	Populate	Populate
6+1(Default)	Populate	DNP	DNP	Populate	Populate	Populate	DNP	DNP
5+2	Populate	Populate	Populate	Populate	DNP	DNP	DNP	DNP

Table 4-2. Jumper settings for Phase configuration selection

Phase configuration	Jumper J10	Jumper J11	Jumper J12	Jumper J13
7+0 (Default)	1-2 short	1-2 short	1-2 short	1-2 short
6+1	1-2 short	1-2 short	2-3 short	2-3 short

Table 4-2. Jumper settings for Phase configuration selection (continued)

Phase configuration	Jumper J10	Jumper J11	Jumper J12	Jumper J13
5+2	2-3 short	2-3 short	2-3 short	2-3 short

4.2 Jumper details

All Jumper description as follows

Table 4-3. Jumper

Jumper	Description	Default
J1	5V External Supply Input	No external supply
J2	Internal 5V Supply Input	short
J3	3V3 VCC External Supply Input	No external supply
J4	LDO output 3V3 supply	short
J5	5V Supply selector either 12V derived(short) or external(open)	short
J6	VOUTA Sense	Open
J7	VOUTB Sense	Open
J8	PMBUS Connector	Open
J9	Placeholder	Open
J10	Phase configuration selection	Short(pin1-2)
J11	Phase configuration selection	Short(pin1-2)
J12	Phase configuration selection	Short(pin1-2)
J13	Phase configuration selection	Short(pin1-2)
J14	VOUTA Onboard Transient Load Signal Generator Selector	Open

Table 4-4. Connector function

Connector	Description
T1	VIN + Connector
T2	VIN - Connector
T3, T4, T5, T6	VOUTA + Connectors
T7, T8, T9, T11	VOUTA - Connectors
T10	VOUTB - Connectors
T12	VOUTB - Connectors
TP13	External Function generator connector
J15	VOUTA Output Measurement Point
J16	VOUTB Output Measurement Point

4.3 On-board load transient

The EVM board includes a load transient test. There are four parallel loads connected for RAILA as shown in [Figure 4-4](#). Each load can be turned on and off independently with switch S3. Jumper J14 provides the drive signal from the onboard 555 timer (approximately 1.2 kHz, and 8% duty cycle) or to inject a drive signal on TP13 from a signal generator. The 0.2-Ω resistor is size 2502 and specifies a maximum power dissipation of 2 W. Ensure the external signal duty cycle does not exceed 20% duty cycle as thermal rating. Each load resistance (R1) is 11.7 mΩ and the switch on-resistance ($R_{DS(on)}$) is 2 mΩ. Total resistance per load bank is 13.7 mΩ. The total resistance value with all four load banks is approximately 3.8 mΩ including board parasitic. If the RAILA output voltage is 0.88 V, load step is 230 A(0.88/3.8m)

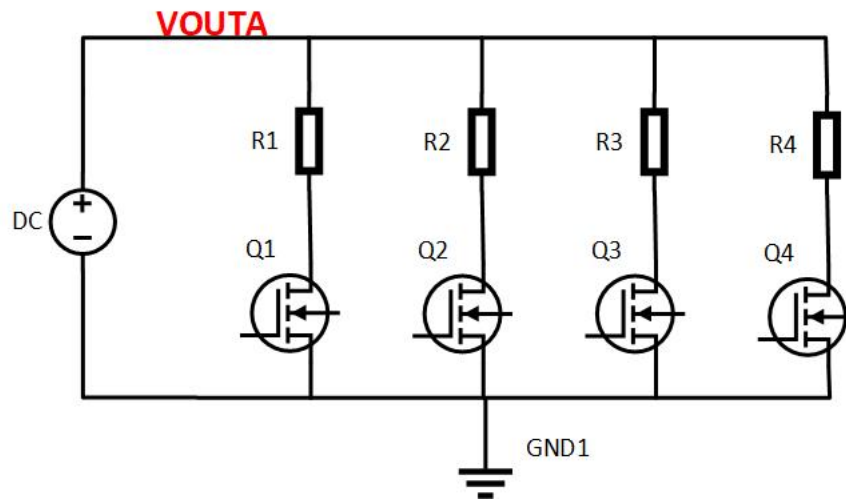


Figure 4-4. On Board Load transient

5 Test Equipment

Table 5-1. Required Test Equipment

Voltage sources	Only one DC input voltage source is needed (VIN). Choose a VIN input voltage source with a range between 0 V and 14 V and a variable DC source capable of supplying 40 A (dc). Connect VIN to terminals J6 and J7 as shown in Figure 5-1 . For greater control during testing, remove jumpers from J2 and J4 to bypass the onboard 5-V power supply. Limit this external supply to 1 A (dc).
Multimeters	Recommended to use two separate multimeters, one meter to measure VIN and the other to measure VOUT.
Output Load	An electronic load is recommended for the test setup shown in Figure 5-1 . To observe the Rail A at full load, ensure that the electronic load is capable of sinking 250 A at 0.88-V (Rail B, 50 A at 0.8 V)
Oscilloscope	Use an oscilloscope to measure output noise and ripple. Use a coaxial cable to measure output ripple across J15 (VOUTA) and J16 (VOUTB)
USB-to-GPIO Interface Adapter	A communications adapter is required between the EVM and the host computer. This EVM is designed to use the Texas Instruments USB-to-GPIO adapter connected to J12. To purchase this adapter, visit the TI USB-to_GPIO tool page
Fan	During prolonged operation at high load (More than 300 A), it is necessary to provide forced air cooling with a small fan aimed at the EVM. Maintain the temperature of the devices on the EVM under 115°C

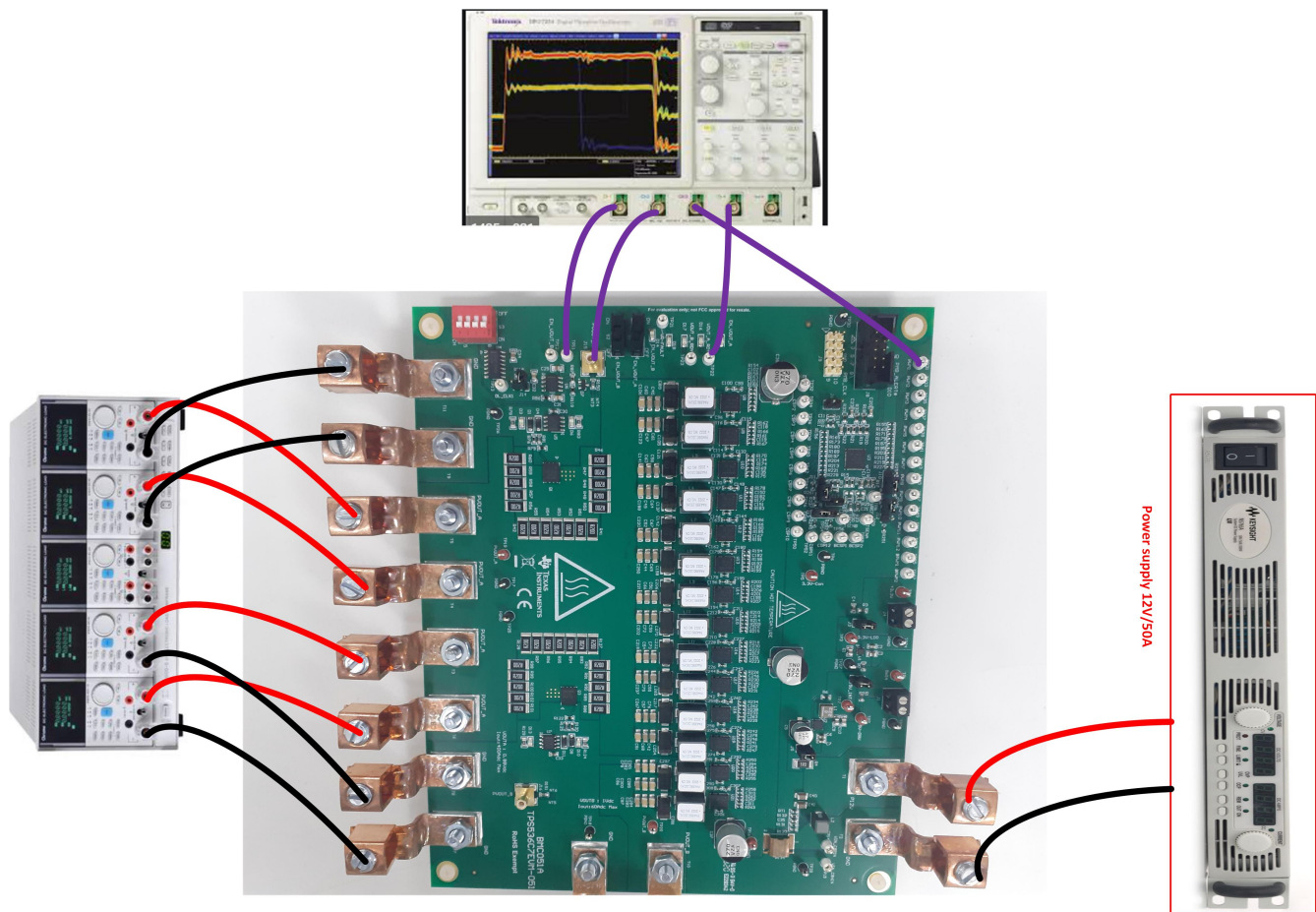


Figure 5-1. EVM Test Setup Showing the Power Supply, Load, and Oscilloscope Connections

Table 5-2. Recommended Wire Size

VOLTAGE (V)	CONNECT	RECOMMENDED WIRE SIZE	MAXIMUM TOTAL WIRE LENGTH (FEET)		
			RETURN	INPUT	OUTPUT
12	VIN to T1, GND to T2	2 × AWG #8	2	2	n/a
5 (if J2 open)	5VIN to J1	2 × AWG #18	2	2	n/a
0.88(RAILA)	Load+ to T3, T4, and T5, Load- to T7, T8, and T9	6 × AWG #4	3	n/a	3
1(RAILB)	Load+ to T10, Load- to T9 and T12	2 × AWG #8	1	n/a	1

6 Test Procedure

All the below tests are done with 6+1 configuration. So, refer to [Table 4-2](#) for jumper setting selection and keep same jumper positions (J10, J11, J12 and J13) for the following tests.

6.1 Start-up Test

Use the following procedure for the start-up test.

RAILA:

1. Set the load current to 50 A.
2. Make sure all default jumpers (J1 to J9) settings as shown in [Table 4-3](#).
3. Connect probes Enable (TP11), VOUTA (J15, BNC cable), PWM1 (TP31), and VOUT_A_RDY (TP22).
4. Set the oscilloscope to: 500 μ s/div.
5. Set the trigger to channel 1 'Enable_A' on the rising edge at about 1 V.
6. Turn on the power supply (with the voltage set to 12 V and the current limit set to 10 A).
7. Slide the enable switch 'S1' to the ON position.

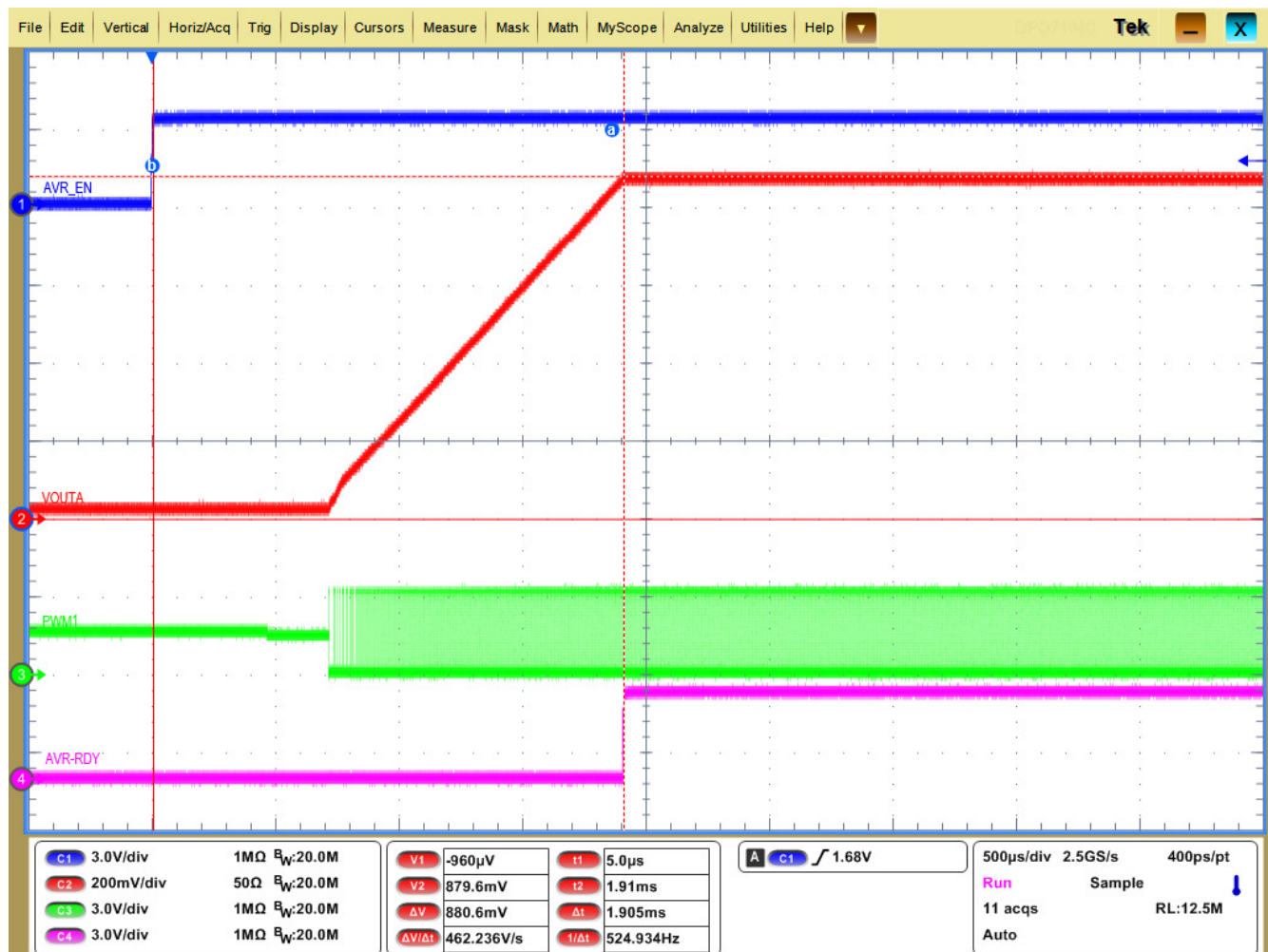


Figure 6-1. VOUTA Enable startup with TON delay=0ms

RAILB:

1. Set the load current to 10 A.
2. Make sure all default jumpers (J1 to J9) settings as shown in [Table 4-3](#).
3. Connect probes Enable_B (TP12), VOUTB (J16, BNC cable), BPWM1 (TP55) and VOUT_B_RDY (TP23).
4. Set up the time / div on the oscilloscope to: 500 μ s/div.

5. Set the trigger to channel 1 'Enable_B' on the rising edge at about 1 V.
6. Turn on the power supply (with the voltage set to 12 V and the current limit set to 5 A).
7. Slide the enable switch 'S2' to the ON position.

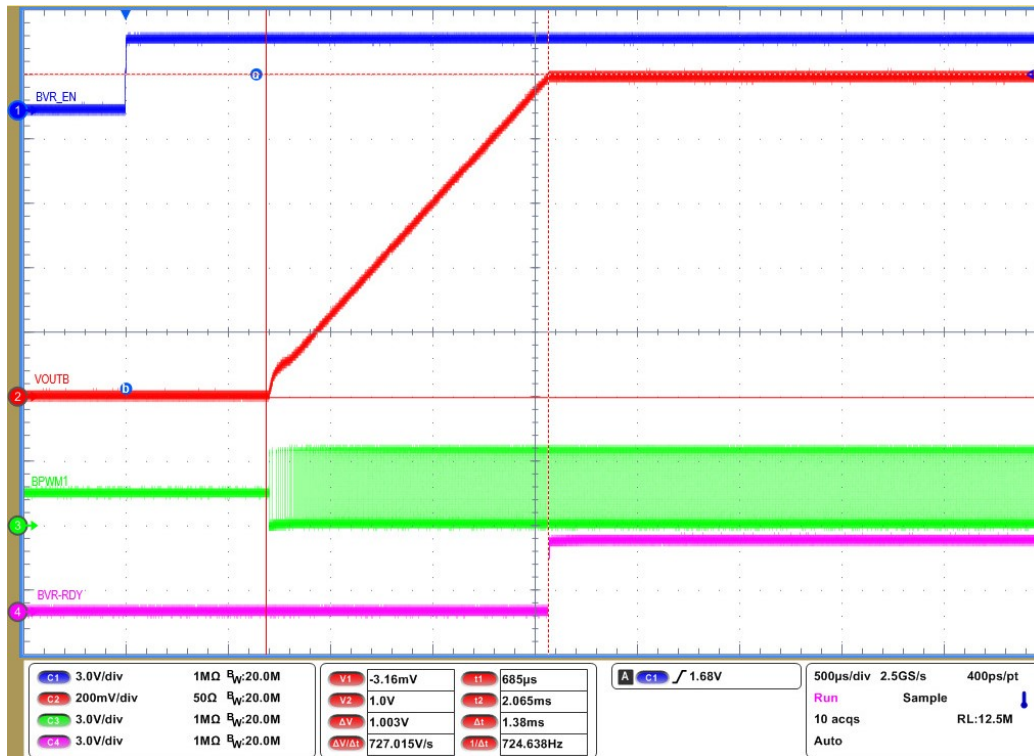


Figure 6-2. VOUTB Enable startup with TON delay=0ms

6.2 Shut down Test

Use the following procedure for the shutdown test:

RAILA:

1. Set the load current to 50 A.
2. Make sure all default jumpers(J1-J9) settings as shown in [Table 4-3](#) .
3. Connect probes Enable (TP11), VOUTA (J15, BNC cable), PWM1 (TP31), and VOUT_A_RDY (TP22).
4. Set up the time / div on the oscilloscope to: 500 μs/div.
5. Set the trigger to channel 1 'Enable_A' on the falling edge at about 1 V.
6. Turn on the power supply (with the voltage set to 12 V and the current limit set to 10 A).
7. Slide the enable switch 'S1' to the ON position and measure output voltage as 0.88V.
8. Turn-off the switch "S1" to OFF position.



Figure 6-3. VOUTA Enable OFF, Immediate-off

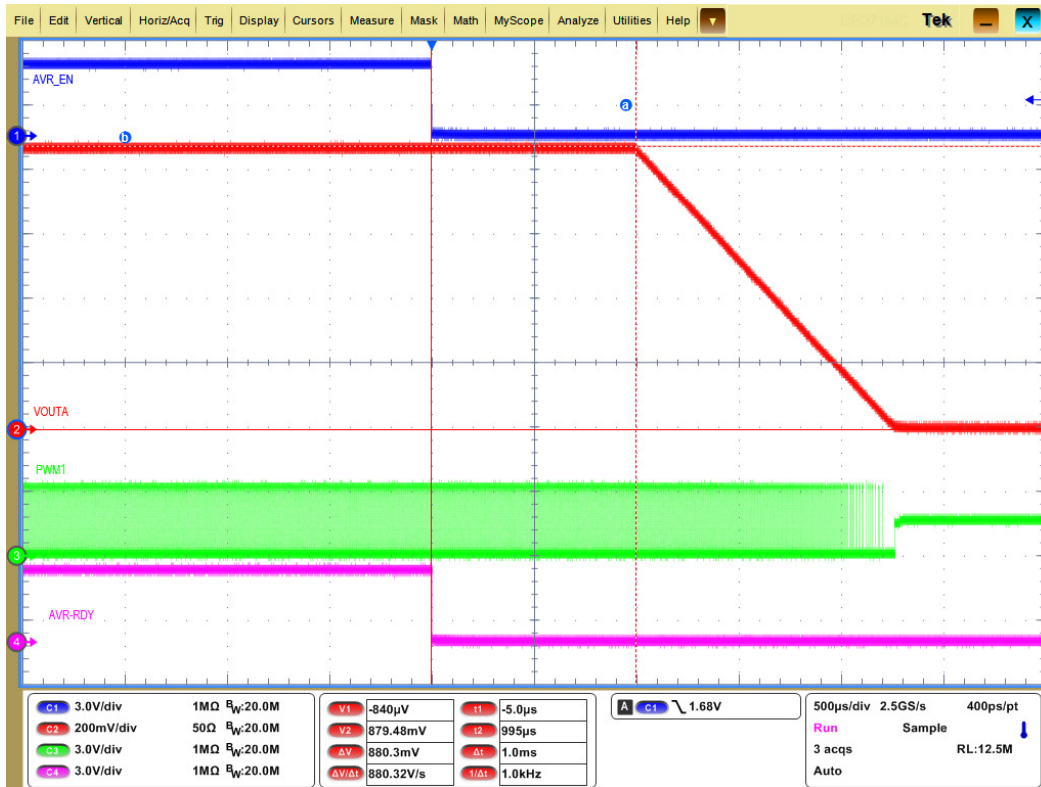


Figure 6-4. VOUTA Enable OFF Soft-off with TOFF delay=1ms

RAILB:

1. Set the load current to 10 A.

2. Make sure all default jumpers (J1-J9) settings as shown in [Table 4-3](#).
3. Connect probes Enable_B (TP12), VOUTB (J16, BNC cable), BPWM1 (TP55), and VOUT_B_RDY (TP23).
4. Set up the time / div on the oscilloscope to: 500 μ s/div.
5. Set the trigger to channel 1 'Enable_B' on the falling edge at about 0.8V.
6. Turn on the power supply (with the voltage set to 12 V and the current limit set to 5 A).
7. Slide the enable switch 'S2' to the ON position and measure output voltage as 0.8V.
8. Turn-off the switch "S2" to OFF position.

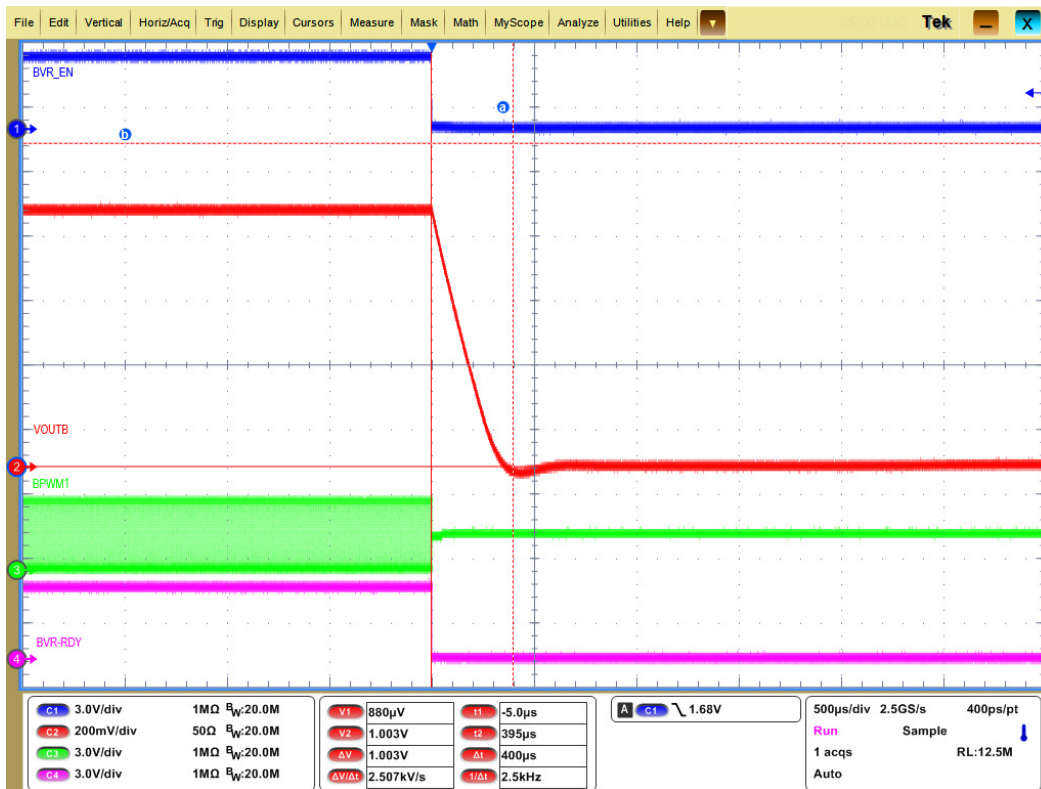


Figure 6-5. VOUTB Enable OFF, Immediate-off

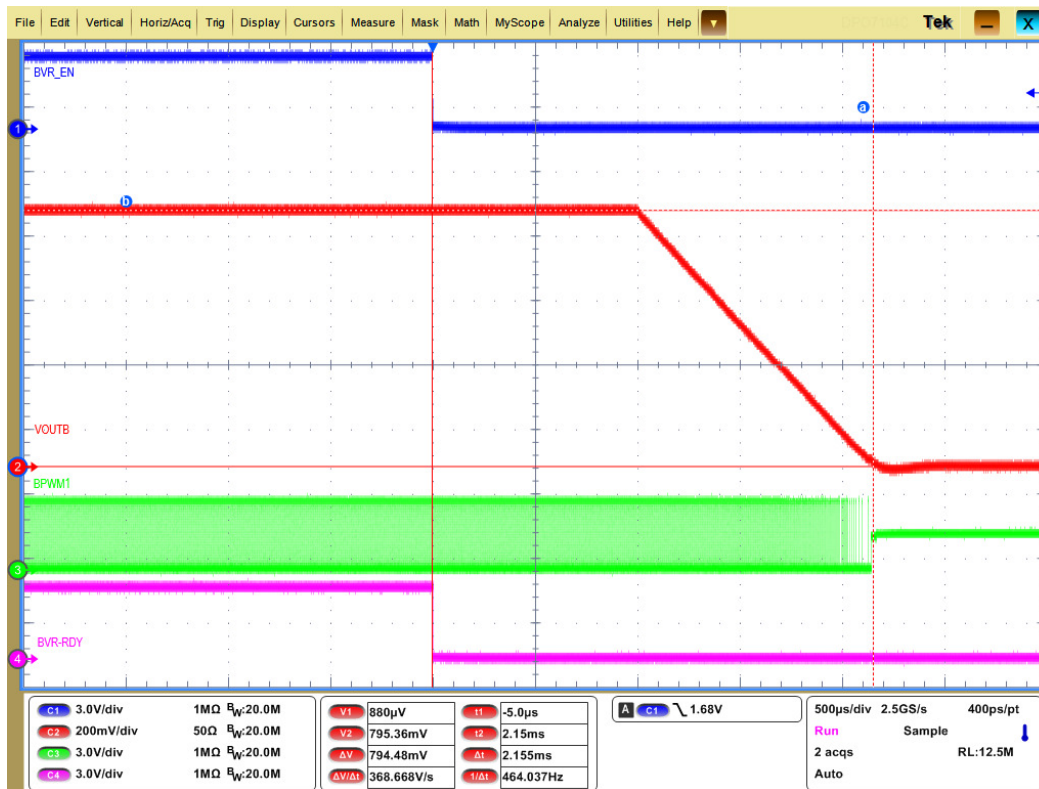


Figure 6-6. VOUTB Enable OFF Soft-off with TOFF delay=1ms

6.3 Steady-state Test

Use the following procedure for the steady-state test:

RAILA:

1. Set the load current to 50 A.
2. Make sure all default jumpers (J1 to J9) settings as shown in [Table 4-3](#).
3. Connect probes VOUTA (J15, BNC cable), PWM1 (TP31), PWM2(TP32), and PWM3(TP33).
4. Add offset to VOUTA signal as 0.88V, and 4mV/div.
5. Set up the time / div on the oscilloscope to: 0.5 μs/div.
6. Turn on the power supply (with the voltage set to 12 V and the current limit set to 10 A).
7. Slide the enable switch 'S1' to the ON position and measure output voltage as 0.88V.
8. Measure output voltage ripple and phase interleaving.
9. Jitter can be measured with set scope in "Fast acquisition mode".

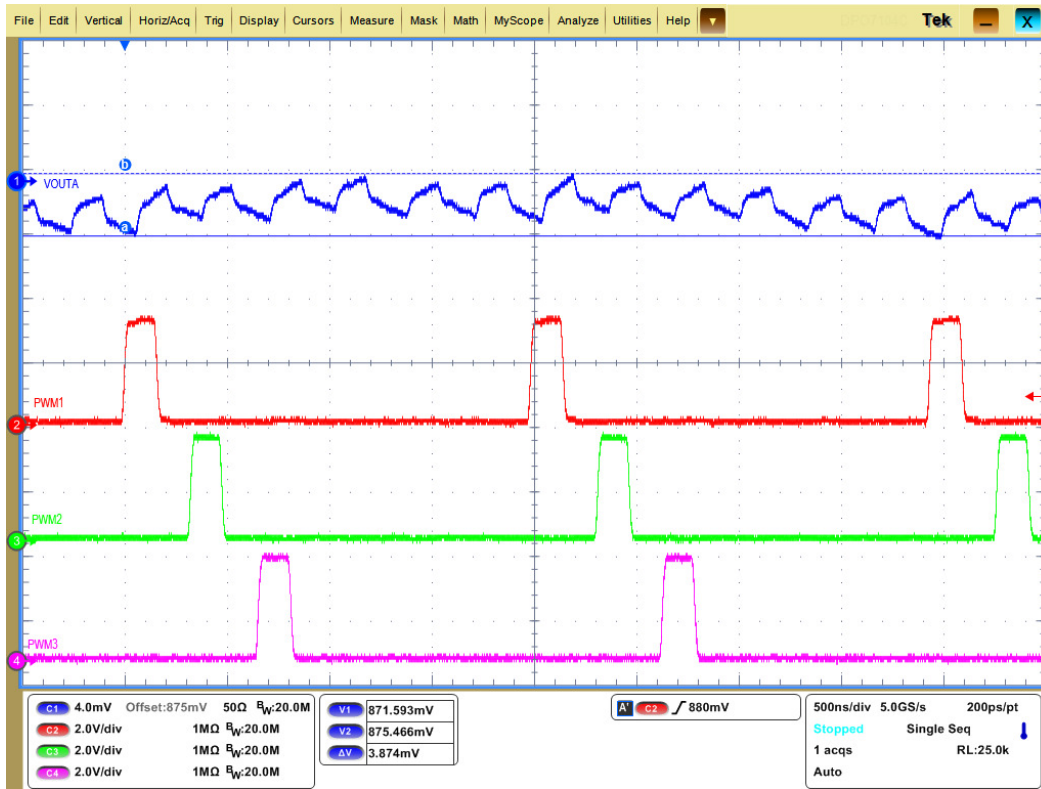


Figure 6-7. VOUTA Steady-state Output voltage Ripple

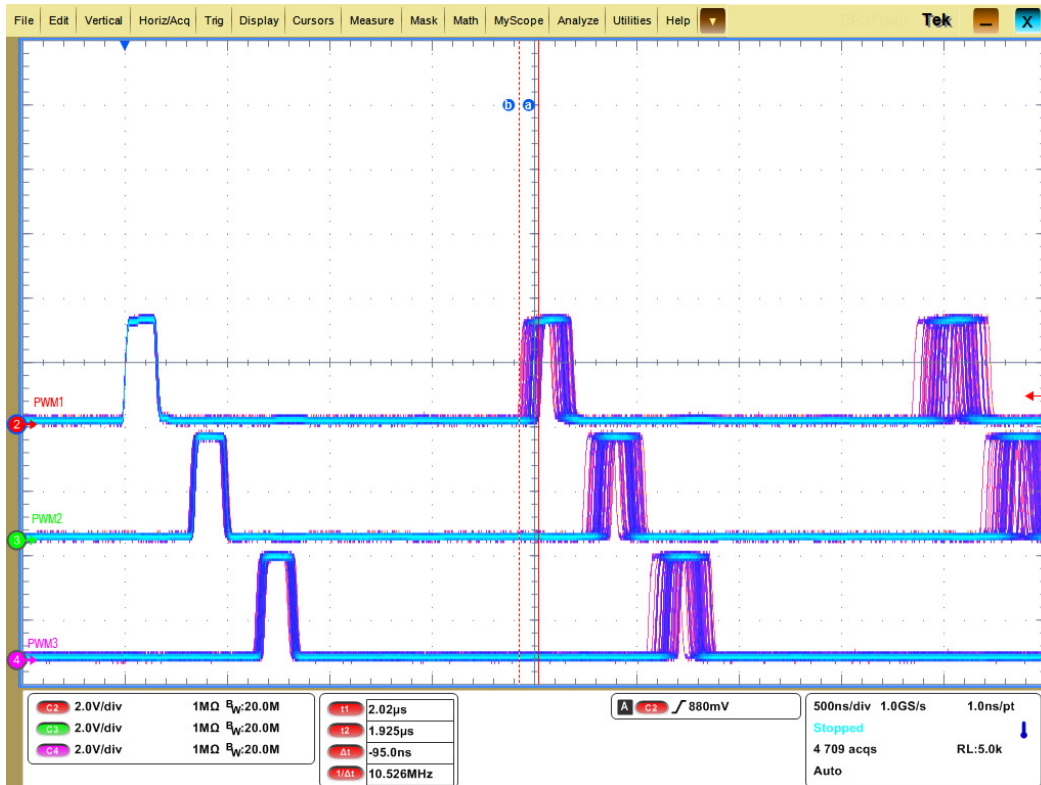


Figure 6-8. VOUTA PWM Jitter

RAILB:

1. Set the load current to 10 A.

2. Make sure all default jumpers (J1 to J9) settings as shown in [Table 4-3](#).
3. Connect probes VOUTB (J16, BNC cable), BPWM1 (TP31), BPWM2 (TP55), and PWM3(TP57) as shown.
4. Add offset to VOUTB signal as 0.8V, and 4mV/div.
5. Set up the time / div on the oscilloscope to: 1 μ s/div.
6. Turn on the power supply (with the voltage set to 12 V and the current limit set to 10 A).
7. Slide the enable switch 'S2' to the ON position and measure output voltage as 0.8V.
8. Measure output voltage ripple and phase interleaving.
9. Jitter can be measured with set scope in "Fast acquisition mode".

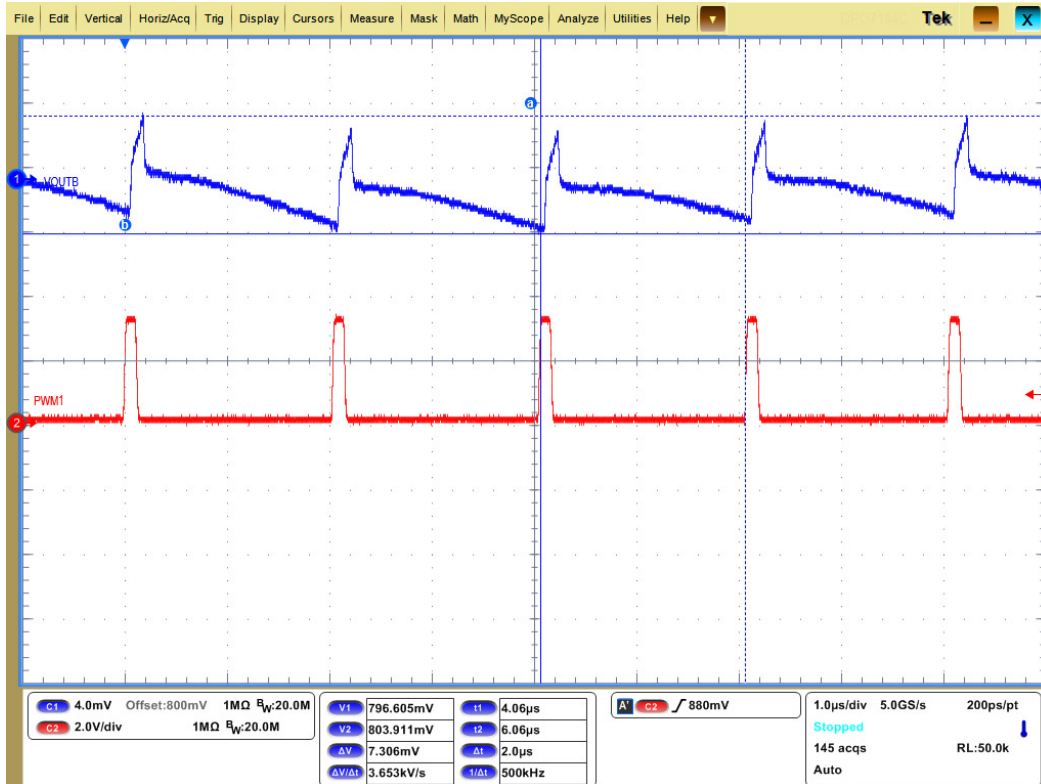


Figure 6-9. VOUTB Steady-state Output voltage Ripple

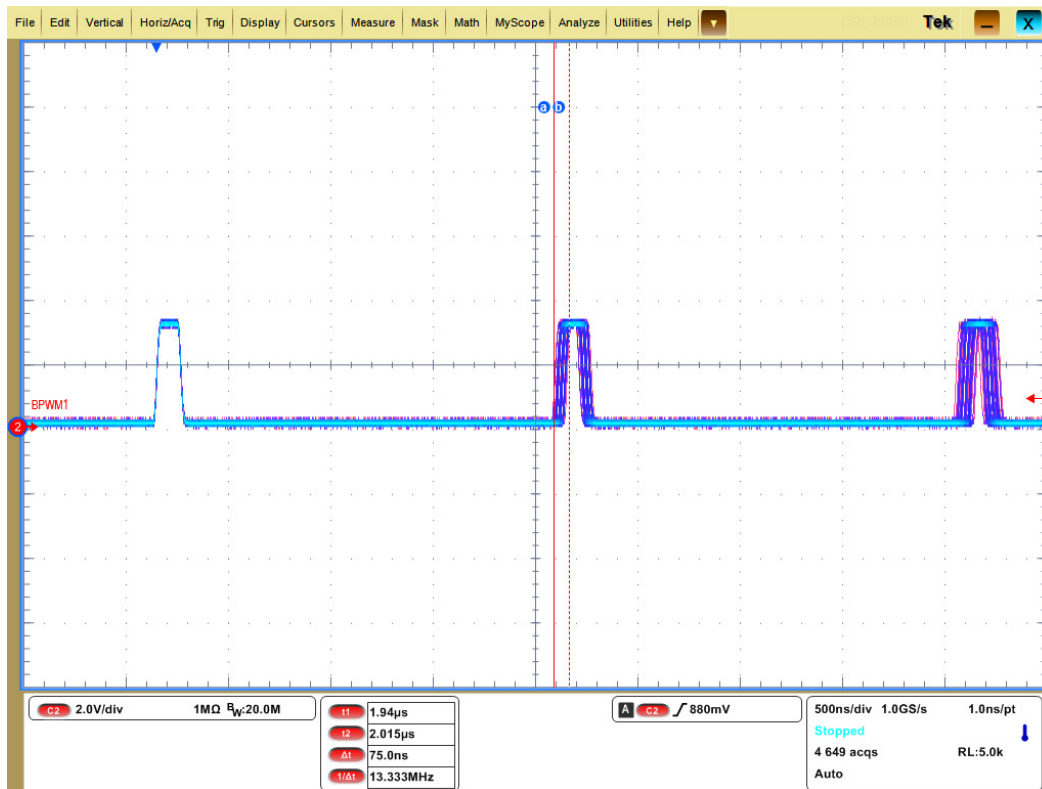
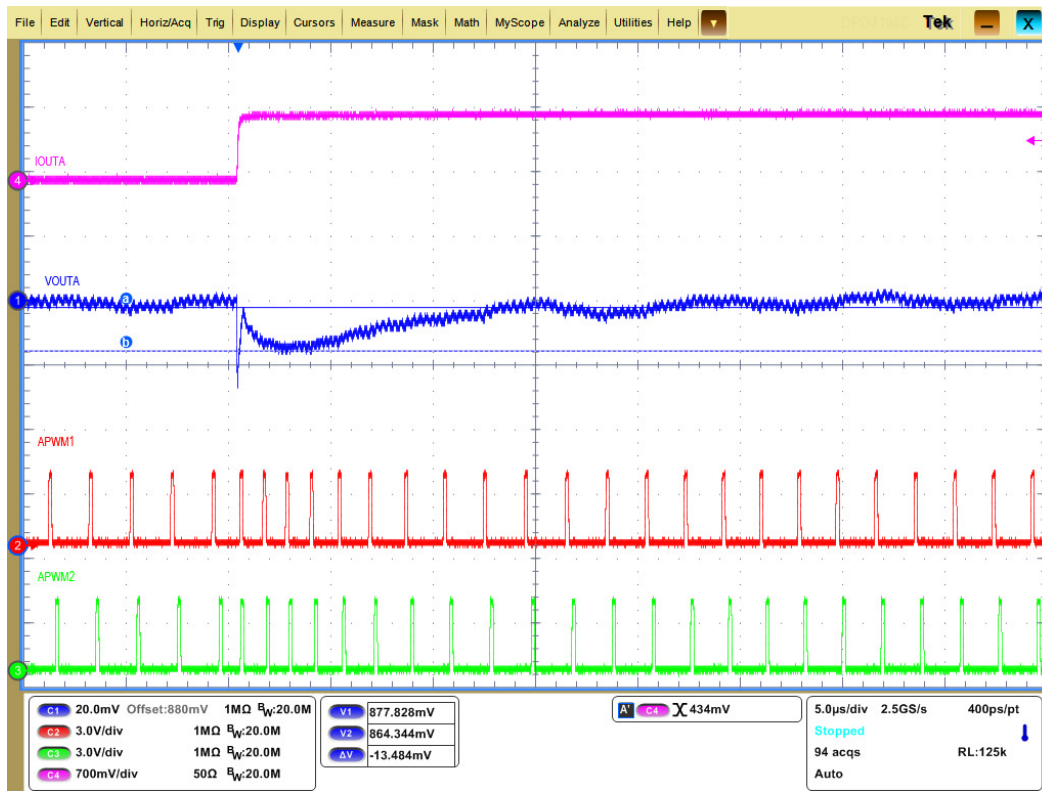


Figure 6-10. VOUTB PWM jitter

6.4 Load Transient Test

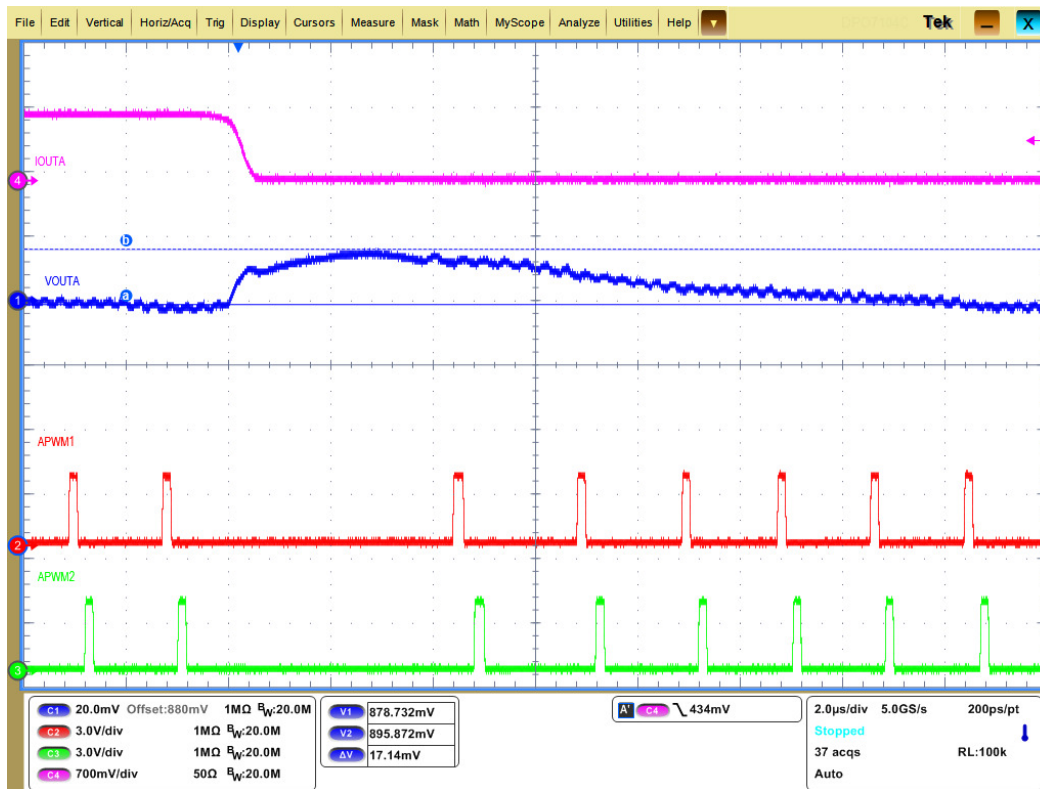
The EVM is equipped with an onboard load transient generator for testing fast transients that is seen in processor type loads. To generate a load transient, it can be used as internal 555 timer or external repetitive pulse function generator. This pulse height must be 5 V. Please refer to the [Section 4.3](#) section for details

1. Connect jumper J14 to use internal signal or apply external function generator at TP13
2. Set the required steady-state load current (50 A).
3. Connect probes VOUTA (J15, BNC cable), PWM1 (TP31), PWM2 (TP32).
4. Add offset to VOUTA signal as 0.88V, and 20mV/div.
5. Measure output current at one resistor bank. so, connect differential probe parallel to R60 and 700mV/div.
6. Turn on the power supply (with the voltage set to 12 V and the current limit set to 20 A)
7. Slide the enable switch 'S1' to the ON position and measure output voltage as 0.88V.
8. Turn on 2 switches at load switch(S3) to get 115A load step at 0.88V.



Load step = 50 A to 165 A

Figure 6-11. VOUTA Load transient



Load release=165 A to 50 A

Figure 6-12. VOUTA Load transient

6.5 Efficiency Plot

RAILA is configured for 6-phases and refer to [Table 4-2](#) for jumper setting (J10, J11, J12, J13)

1. Make sure all default jumpers (J1 to J9) settings as shown in [Table 4-3](#)
2. Connect three multimeters to measure input voltage, Input current, output voltage.
3. Measure input voltage near power stage VIN pin capacitor (C96)
4. Input current can be measured as voltage between TP14 and TP15 using R_{SENSE} (0.5 mΩ)
5. Measure output voltage on one of the top ceramic capacitor close to center phase (C221).
6. Measure Output current from electronic load display.
7. Calculate efficiency from these 4 parameters ((Vout*Iout)/(Vin*Iin)).

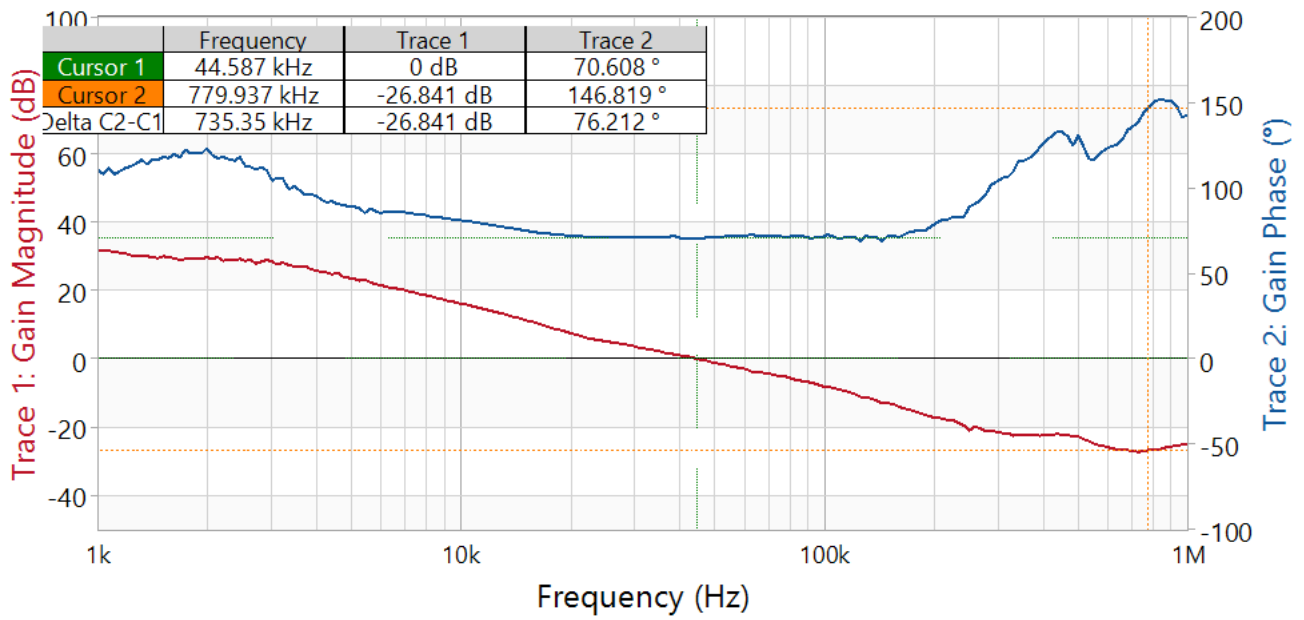


Figure 6-15. VOUTA Bode plot, Load current=20A

7 Fusion GUI

Fusion GUI allows the user to change several parameters of the TPS53676 controller.

This section describes the Fusion interface. For more details on the parameters modifications, please refer to the datasheet.

The Fusion GUI restores user preferences and data during startup.

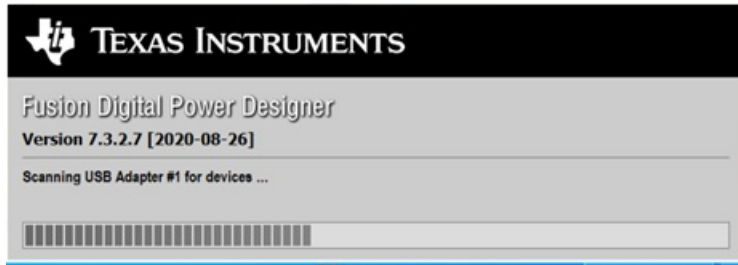


Figure 7-1. Launch Fusion GUI

The Fusion GUI associates the rail with the TPS53676 controller on the [System View] screen as shown in Figure 7-2. For power systems that are populated with multiple Fusion GUI compatible devices, all of them show up in the System View window. If TPS53676 controller configured for only RAIL#1 like N+0, only RAIL#1 display as shown in Figure 7-2. For two rail N+M configuration display as shown in Figure 7-3

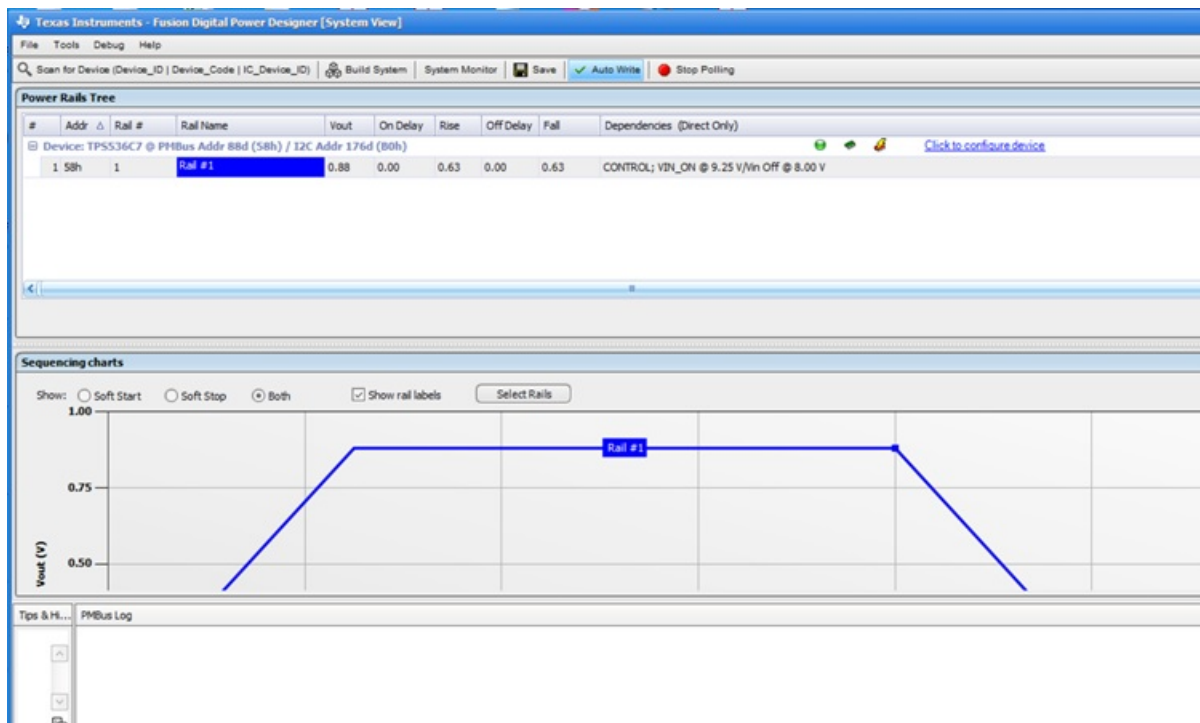


Figure 7-2. System View for N+0 phase configuration

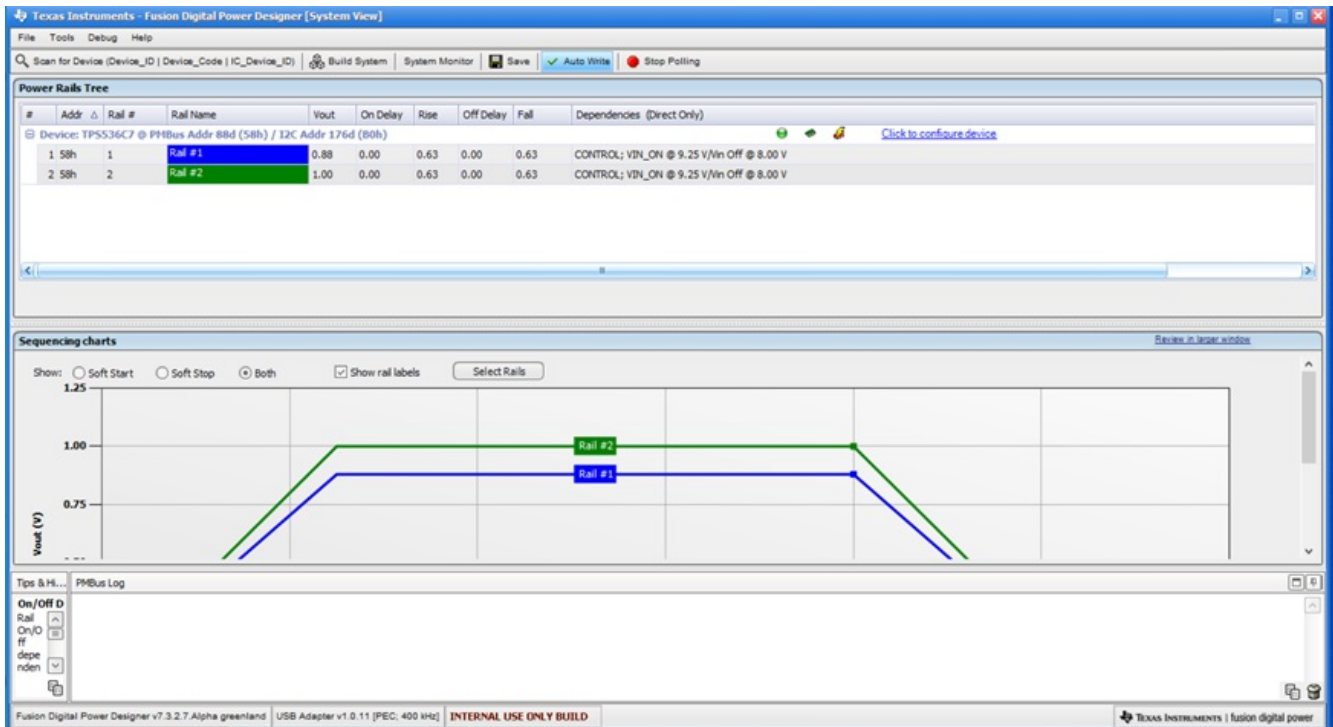


Figure 7-3. System View for N+M phase configuration

Select System Monitor from the System View to add a new window. This window displays real-time system level information about all Fusion compatible devices connected as shown in [Figure 7-5](#).

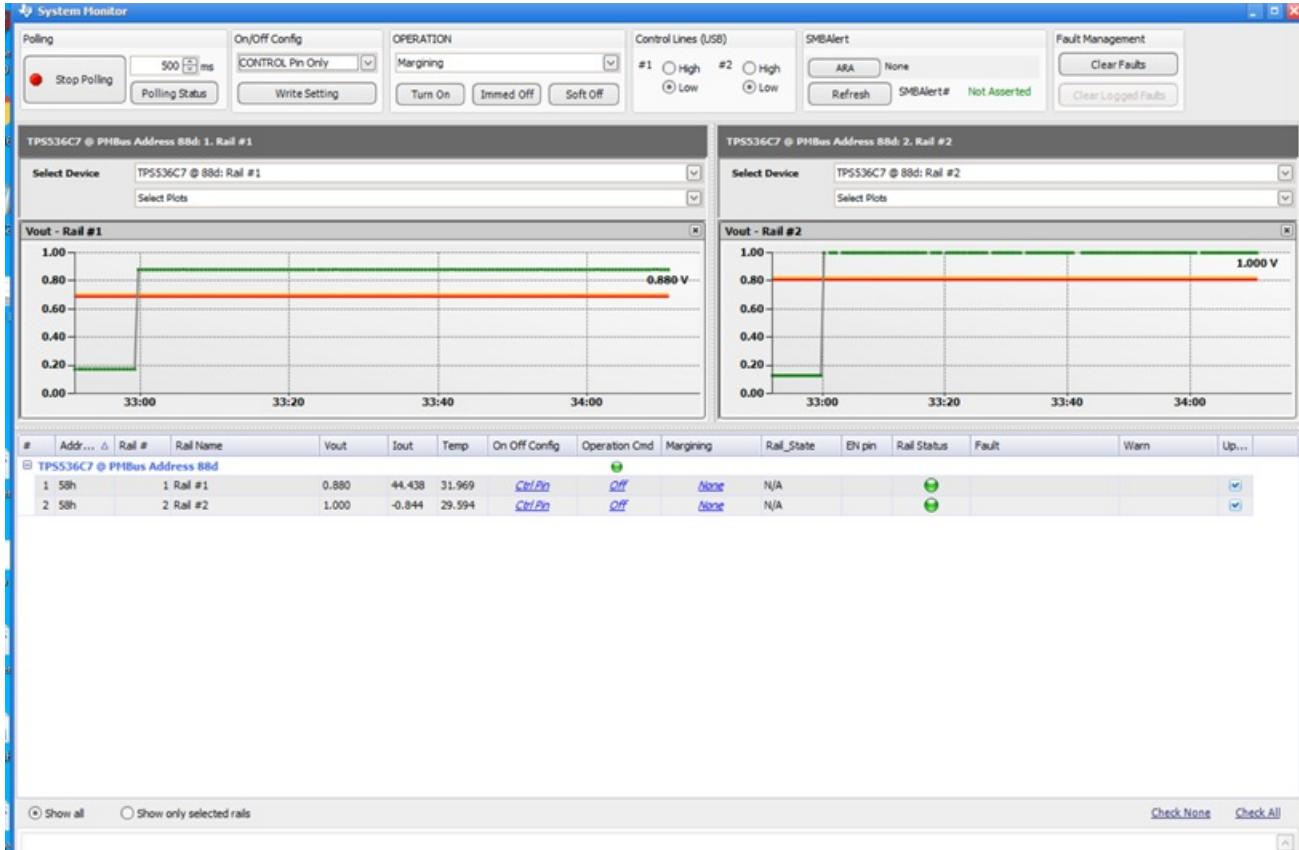


Figure 7-4. System Monitor for N+M phase configuration

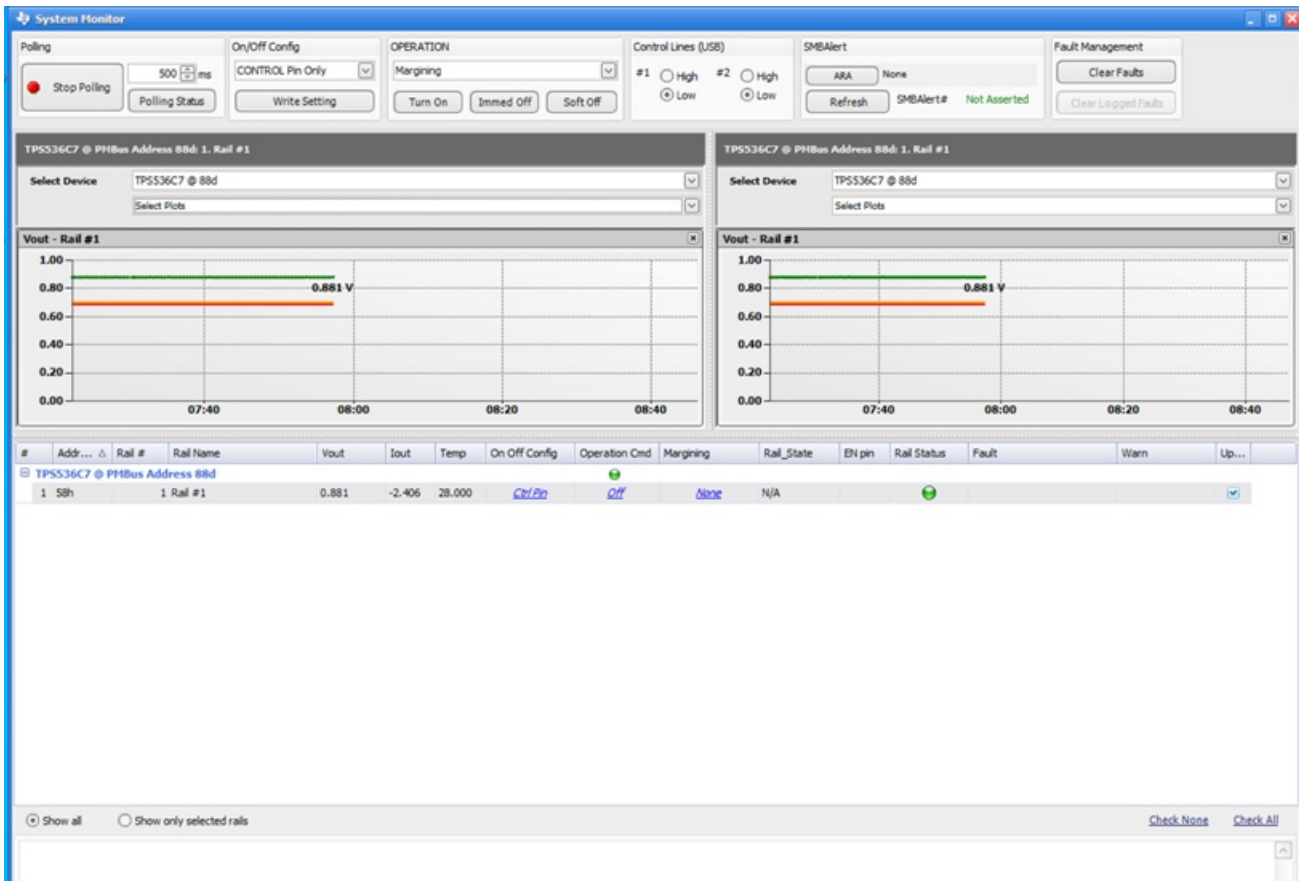


Figure 7-5. System Monitor for N+0 phase configuration

Click to Configure Device in the System View to access a specific device. A new window opens to the [General] tab on the [System Configuration] page of the GUI as shown in Figure 7-6. Click Rail Configuration to change different parameters of a Rail. The illustrations below show Rail A's parameters. To configure these parameters on the other Rail, simply change options in the drop-down menu on the top- right corner.

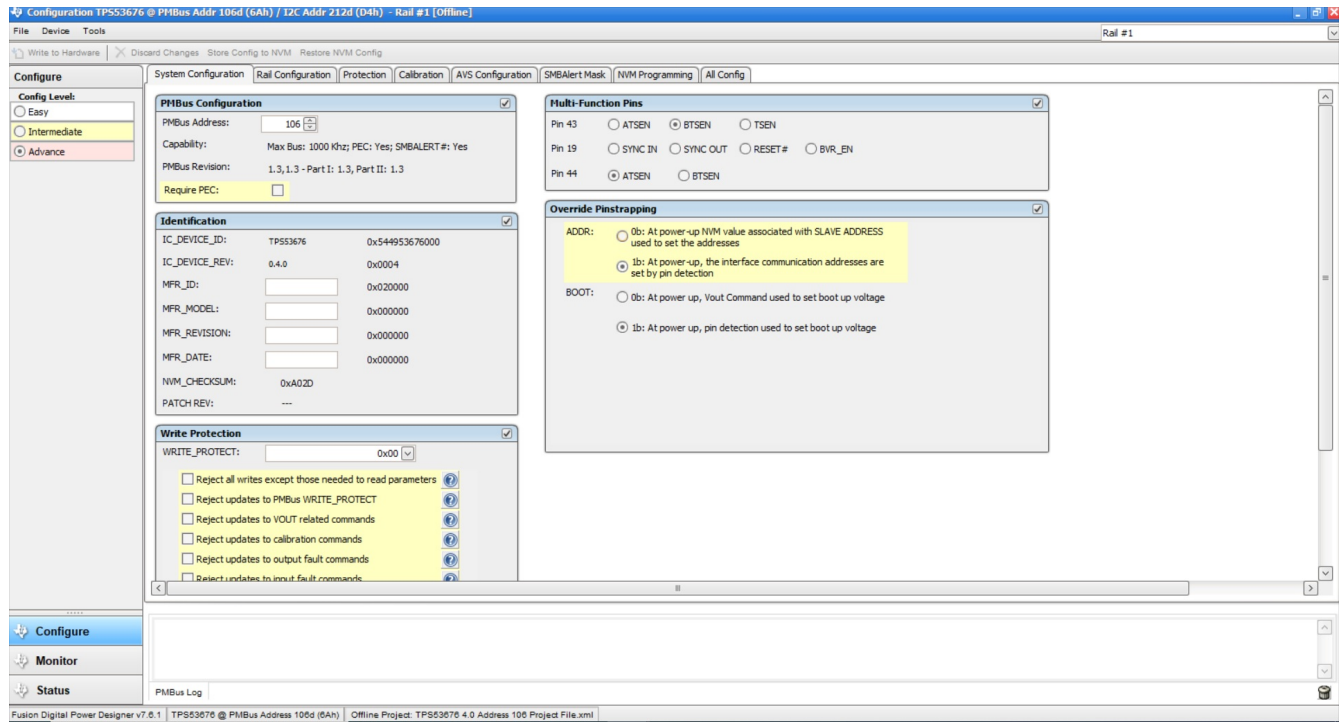


Figure 7-6. General System Configure Tab

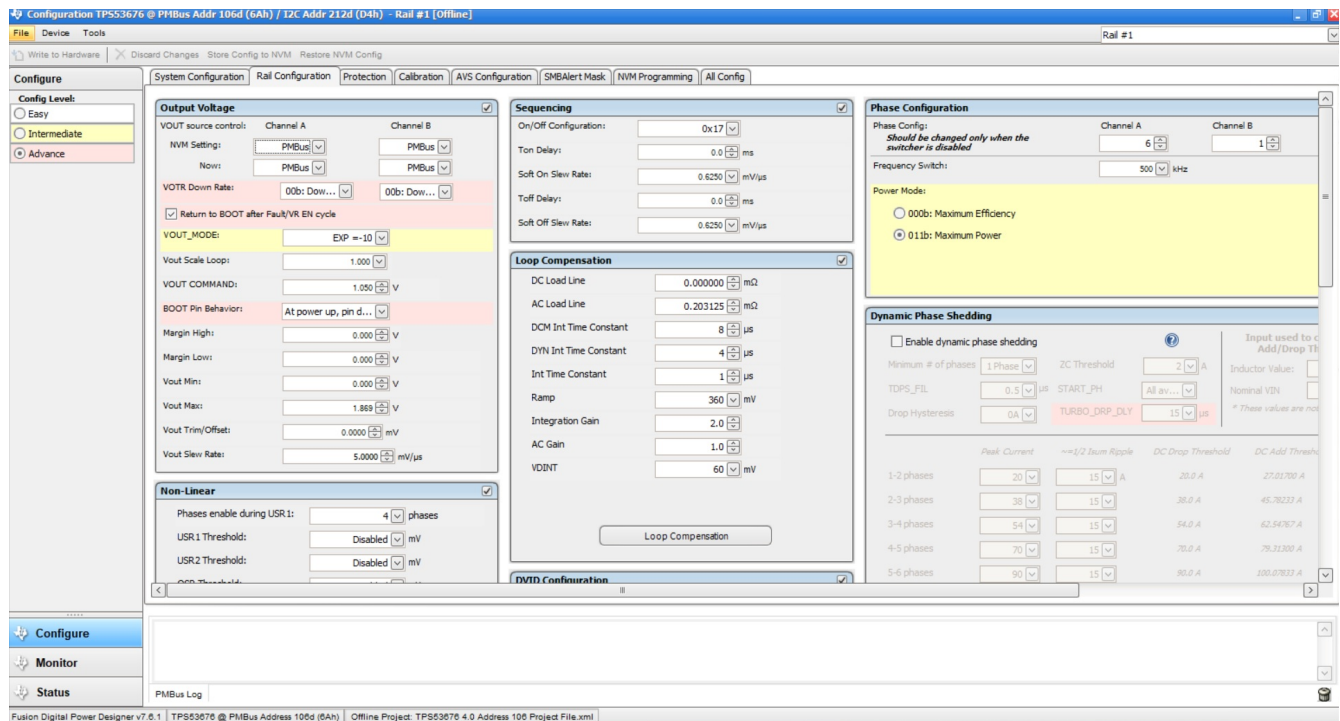


Figure 7-7. Rail Configuration Tab

Click the Advance option to select the Phase configuration as shown in Figure 7-8 . Each phase can be selected as enabled/disabled, RAIL0/RAIL1 and firing order. For more details refer to TPS53676 datasheet.

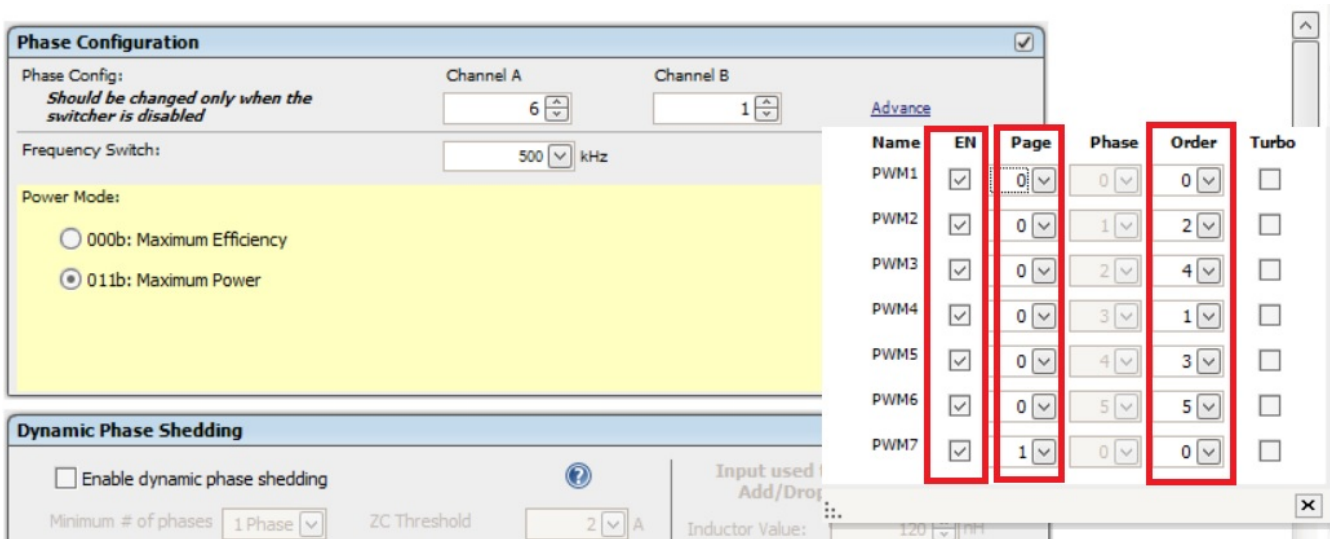


Figure 7-8. Phase N+M Configuration

Protection tab: Click the Protection tab to select parameter as shown in. Depending on your application's features, available protections can include

- Input voltage
- output voltage.... selected as shown in Figure 7-9.

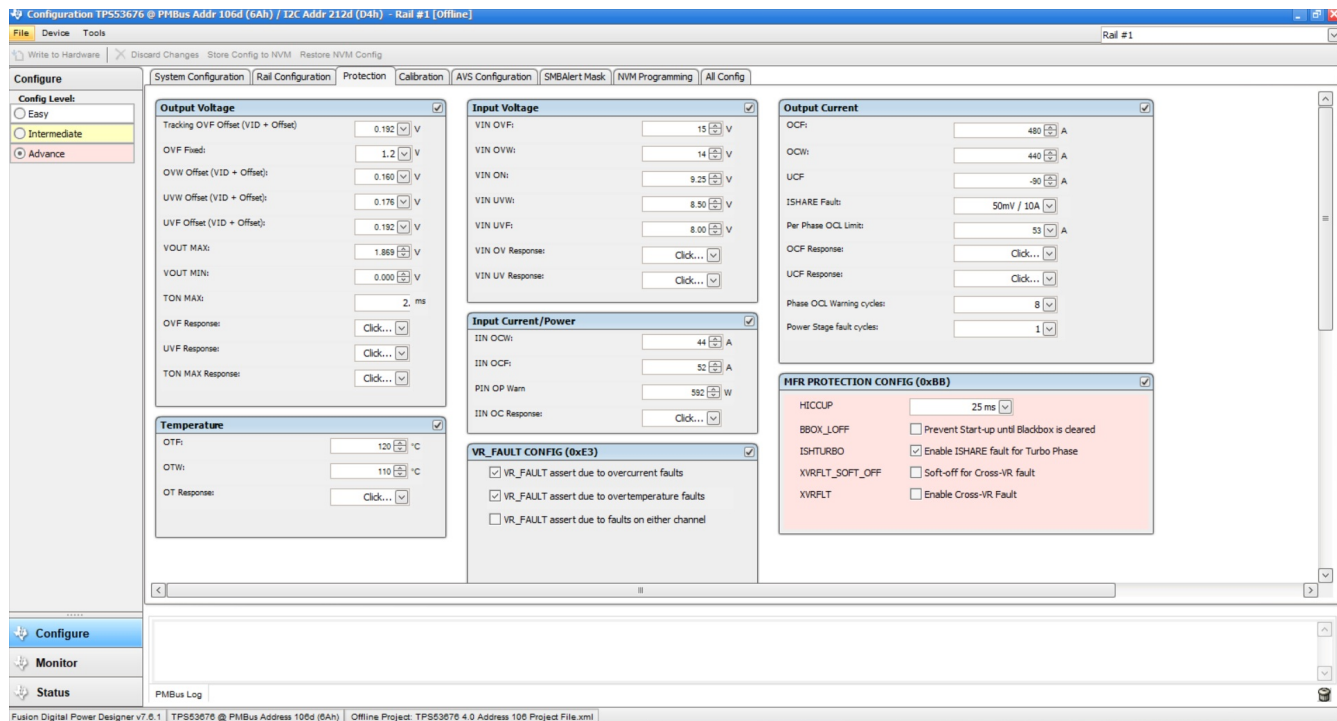


Figure 7-9. System Protection parameters config

The screenshot displays the Fusion GUI interface for the Calibration tab. The top navigation bar includes 'System Configuration', 'Rail Configuration', 'Protection', 'Calibration', 'AIVS Configuration', 'SMBAlert Mask', 'NVM Programming', and 'All Config'. The 'Calibration' tab is active. On the left, the 'Configure' panel shows 'Config Level' with 'Intermediate' selected. The main area is divided into three sections:

- Output Voltage:** Vout Trim/Offset is set to 0.0000 mV.
- Output Current:**
 - IOUT_CAL_GAIN (Total): 5.0000000 mΩ
 - IOUT_CAL_GAIN (High Temp): Current setting
 - Iout Cal Gain Temp Threshold: 0.3 × IOUT_OC_WARN_LIMIT
 - Iout Cal Offset (Phase 1-6): All set to 0.000 A
- Input Current:**
 - Input RShunt: 0.50 mΩ
 - Input IIN (MAX): 80.0 A
 - Buttons: Calculate IIN Calibration, Apply calculated data to USER_DATA_13
 - Calculated Digital Gain: 80.0
 - Calculated Analog Gain: 20
 - USER_DATA_13:**
 - IIN_OFS: 0.0000 A
 - IINMAX: 80.00
 - GINSHUNT: 20
 - PIN_SRC: READ_PIN re...
 - CALCIN_FLT: Do NOT allow...
 - Channel A and B:**
 - CALCIN_GAIN: 0.925

Figure 7-10. Calibration tab

The [All Config] tab on the [Configure] page as shown in Figure 7-11 summarizes all the configurable parameters. This screen contains additional details such as the Hexadecimal encoding for the parameters.

The screenshot shows the 'All Configuration' tab in the Fusion GUI. The interface includes a top menu bar with 'File', 'Device', and 'Tools'. Below the menu bar, there are tabs for 'System Configuration', 'Rail Configuration', 'Protection', 'Calibration', 'AVS Configuration', 'SMBAlert Mask', 'NVM Programming', and 'All Config'. The 'All Config' tab is active, displaying a list of parameters in a table format. The table has columns for 'Command', 'Code', 'Value/Edit', and 'Hex/Edit'. The parameters are grouped into sections: 'Calibration', 'Configuration', and 'Status'. The 'Calibration' section includes parameters like IOUT_CAL_GAIN, IOUT_CAL_OFFSET_1 through IOUT_CAL_OFFSET_6, VOUT_SCALE_LOOP, and VOUT_TRIM. The 'Configuration' section includes parameters like COMMAND_LOG [MFR 16], DISABLE_FAULT [MFR 21], FAULT_TIMER [MFR 35], FREQUENCY_SWITCH, IC_DEVICE_ID, IC_DEVICE_REV, MFR_SPECIFIC_WRITE_PROTECT, MISC_OPTIONS [MFR 29], and NVM_CHECKSUM [MFR 32]. The 'Status' section includes parameters like READ_CALC_IIN, READ_IIN, READ_IIN_MIN_MAX [MFR 06], READ_IOUT_1 through READ_IOUT_6, READ_IOUT_ALL, READ_IOUT_MIN_MAX [MFR 02], READ_MFR_VOUT [MFR 04], READ_PIN, READ_PIN_MIN_MAX [MFR 07], READ_POUT, READ_POUT_MIN_MAX [MFR 08], READ_TEMP_2_MIN_MAX [MFR 03], READ_TEMPERATURE_2, and READ_VIN.

Command	Code	Value/Edit	Hex/Edit
Calibration			
IOUT_CAL_GAIN	0x38	5.0000000 mΩ	0xCAB0
IOUT_CAL_OFFSET_1	0x39	0.000 A	0xE800
IOUT_CAL_OFFSET_2	0x39	0.000 A	0xE800
IOUT_CAL_OFFSET_3	0x39	0.000 A	0xE800
IOUT_CAL_OFFSET_4	0x39	0.000 A	0xE800
IOUT_CAL_OFFSET_5	0x39	0.000 A	0xE800
IOUT_CAL_OFFSET_6	0x39	0.000 A	0xE800
VOUT_SCALE_LOOP	0x29	1.000	0xE808
VOUT_TRIM	0x22	0.0000 mV	0x0000
Configuration			
COMMAND_LOG [MFR 16]	0xE0	CMD 1: 0...	0x00...
DISABLE_FAULT [MFR 21]	0xE5	i; j; k; m; ...	0xFF...
FAULT_TIMER [MFR 35]	0xF3	Fault Tim...	0x00...
FREQUENCY_SWITCH	0x33	500 Hz	0x01F4
IC_DEVICE_ID	0xAD	0x54495...	0x54...
IC_DEVICE_REV	0xAE	0x0004	0x0004
MFR_SPECIFIC_WRITE_PROTECT	0xFB	WP_ALL...	0x0000
MISC_OPTIONS [MFR 29]	0xED	REQPEC...	0x10...
NVM_CHECKSUM [MFR 32]	0xF0	NVM_CH...	0xA02D
Status			
READ_CALC_IIN	0xC4	0.00 A	0x87C5
READ_IIN	0x89	-0.06 A	0x9440
READ_IIN_MIN_MAX [MFR 06]	0xD6	Max -335...	0x00...
READ_IOUT_1	0x8C	0.00 A	0x8000
READ_IOUT_2	0x8C	0.00 A	0x8000
READ_IOUT_3	0x8C	-0.19 A	0xA500
READ_IOUT_4	0x8C	0.00 A	0x8000
READ_IOUT_5	0x8C	0.19 A	0xA300
READ_IOUT_6	0x8C	-0.19 A	0xA500
READ_IOUT_ALL	0x8C	1.55 A	0xB818
READ_IOUT_MIN_MAX [MFR 02]	0xD2	Max -335...	0x00...
READ_MFR_VOUT [MFR 04]	0xD4	0.003 V	0x80C0
READ_PIN	0x97	-0.01 W	0x85A3
READ_PIN_MIN_MAX [MFR 07]	0xD7	Max -335...	0x00...
READ_POUT	0x96	0.00 W	0x8139
READ_POUT_MIN_MAX [MFR 08]	0xD8	Max -335...	0x00...
READ_TEMP_2_MIN_MAX [MFR 03]	0xD3	Max 7.01...	0x82...
READ_TEMPERATURE_2	0x8E	7 °C	0xCB63
READ_VIN	0x88	0.394 V	0xAB26

Figure 7-11. All Configuration tab

If the user selects to change a parameter then the GUI will display an orange “U” icon, which is offering an [Undo Change] option, as shown in Figure 7-12. The software will not update the controller with the change until the user performs a [Write to Hardware].

When a [Write to Hardware] is performed, the change will be implemented in the controller and stored in it's volatile memory. Given that the parameter is stored in volatile memory, if the EVM is power cycled, the parameter will revert back to the previous setting.

If the user wishes to make this the new default value for the parameter then a [Store Config to NVM] must be performed, which commits the value to non-volatile memory.

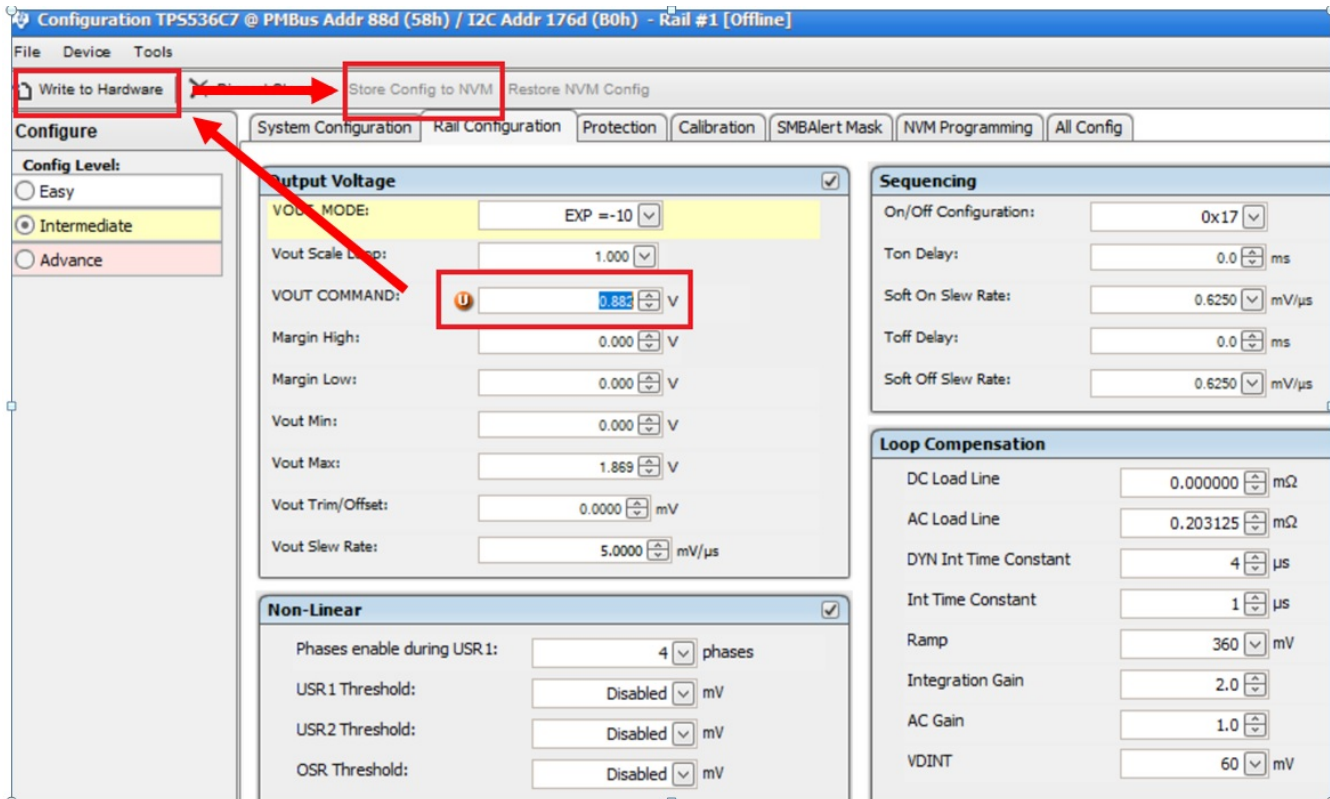


Figure 7-12. Static Configure Pop-Up

Selecting the [Monitor] page from the lower left corner of the TPS53676 Configuration window will display the Figure 7-13 which shows real-time parameter data as measured by the controller. Note that one can switch between monitoring Rail A and Rail B. This screen provides access to the following parameters:

- Graphs of
 - V_{IN}
 - I_{IN}
 - V_{OUT}
 - I_{OUT}
 - Temperature
- Start/Stop Polling controls the updating of the real-time display of data
- Quick access to ON or OFF configuration
- Control pin activation and OPERATION command
- Margin control
- Clear Fault clears any prior fault flags

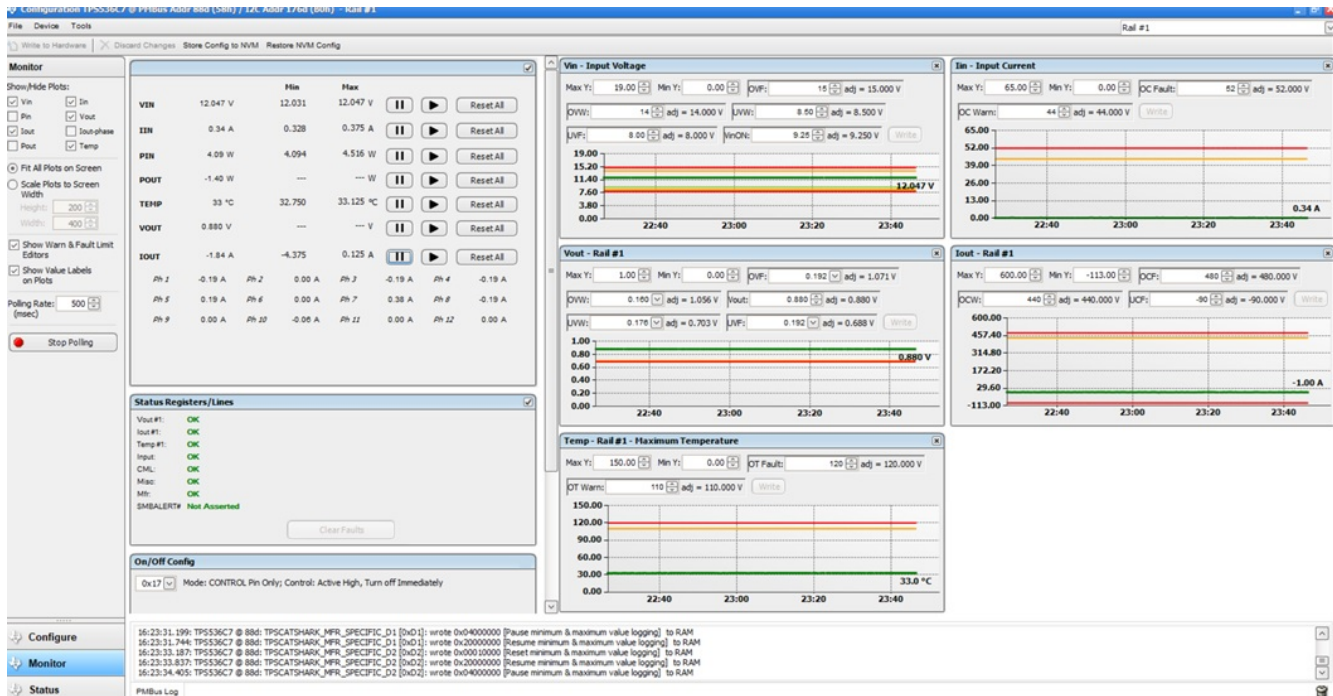


Figure 7-13. Monitor tab

Selecting [Status] from lower left corner shows the current status of the controller as well as any prior faults or warnings which had not been cleared, as shown on the [Figure 7-14](#).

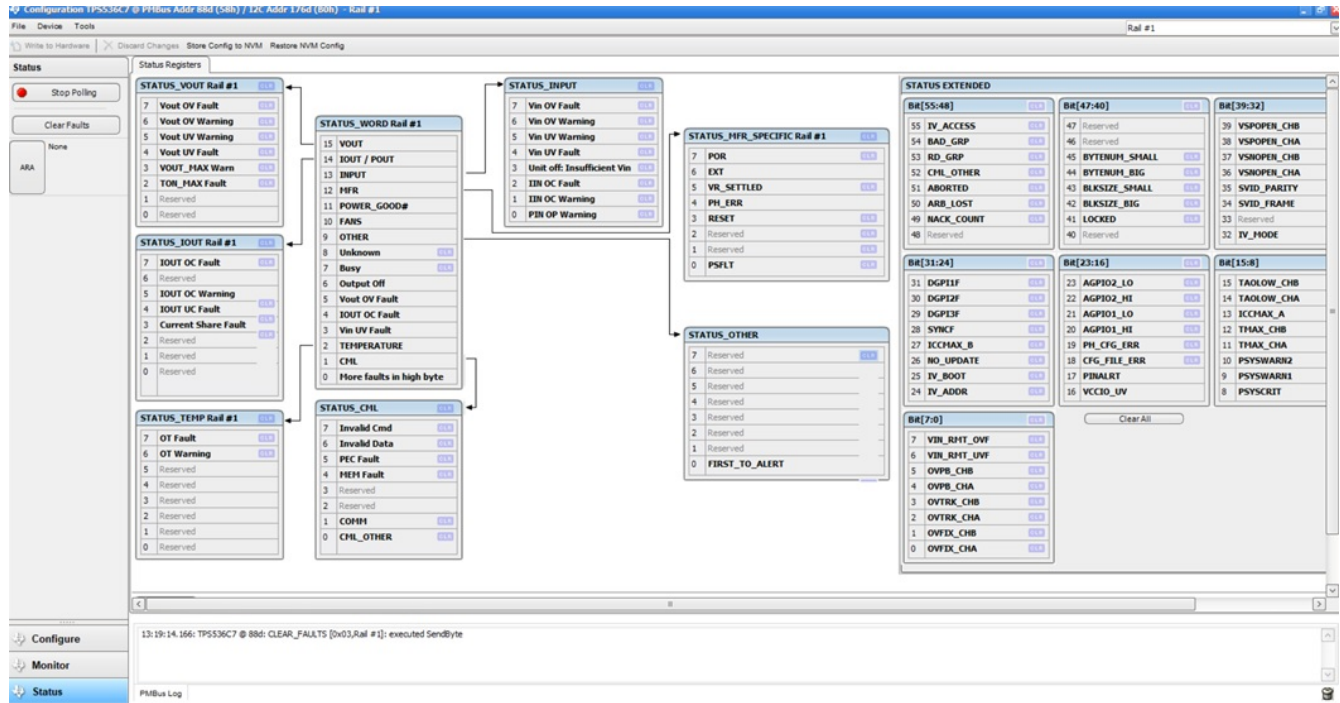


Figure 7-14. Status tab

8 Evaluation Module (EVM) Hardware

Board Layout

Figure 8-1 through Figure 8-16 show the TPS53676EVM-084 assembly drawings and TPS53676EVM-084 PCB layout images.

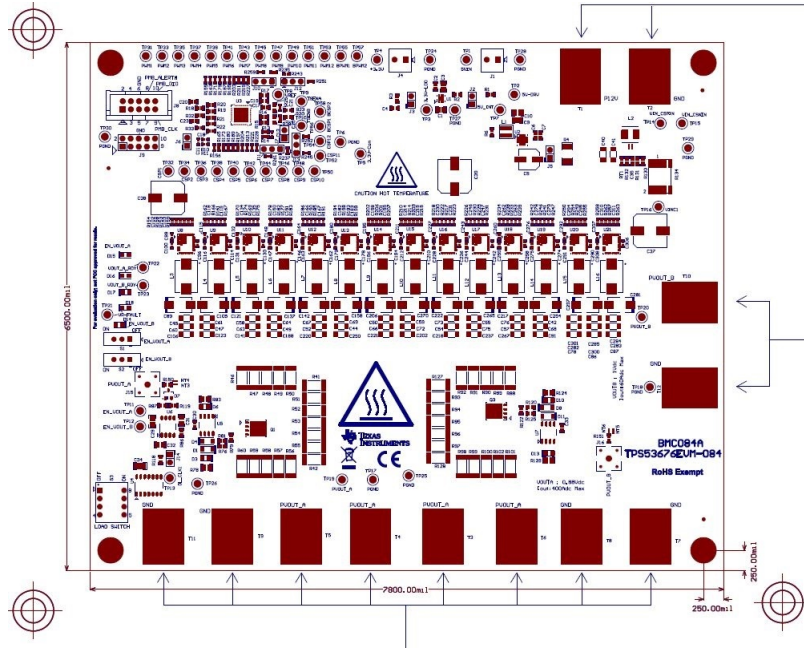


Figure 8-1. TPS53676EVM-084 Assembly Drawing Top View

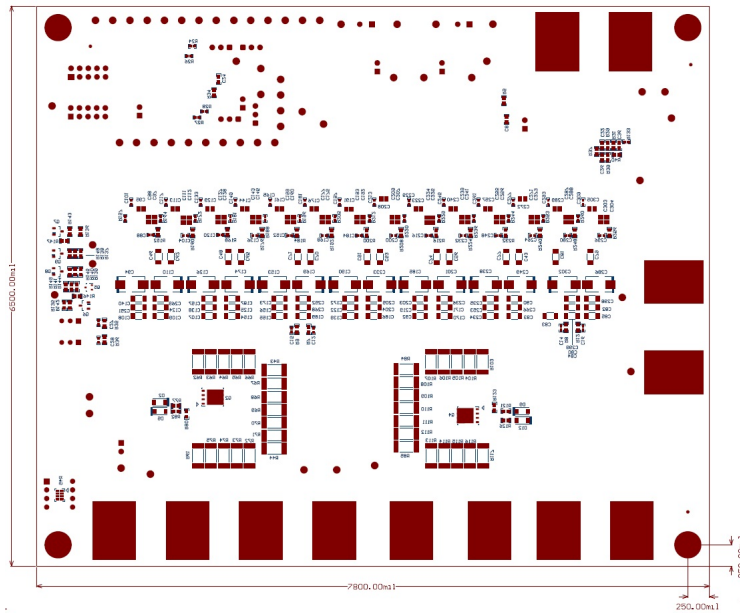


Figure 8-2. TPS53676EVM-084 Assembly Drawing Bottom View

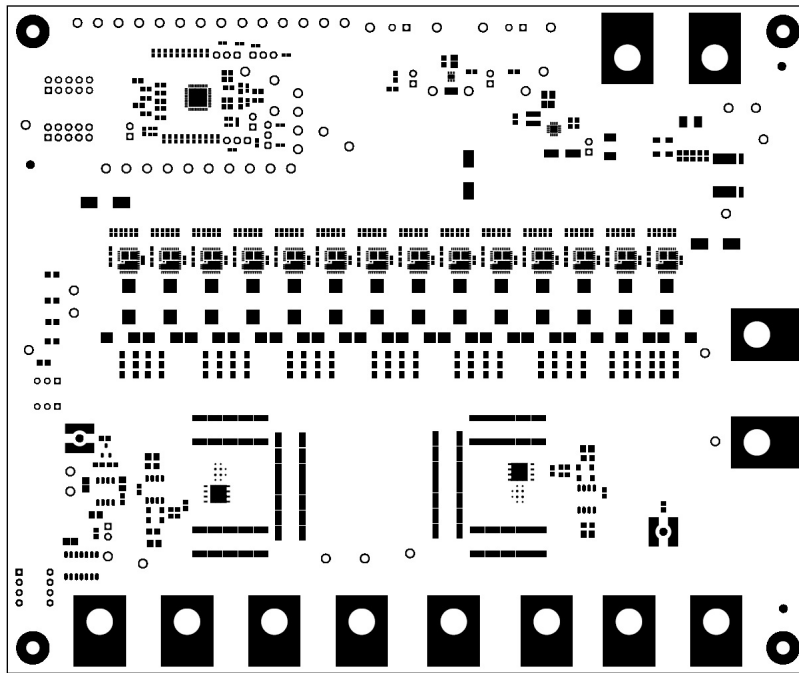


Figure 8-3. TPS53676EVM-084 PCB Top Solder

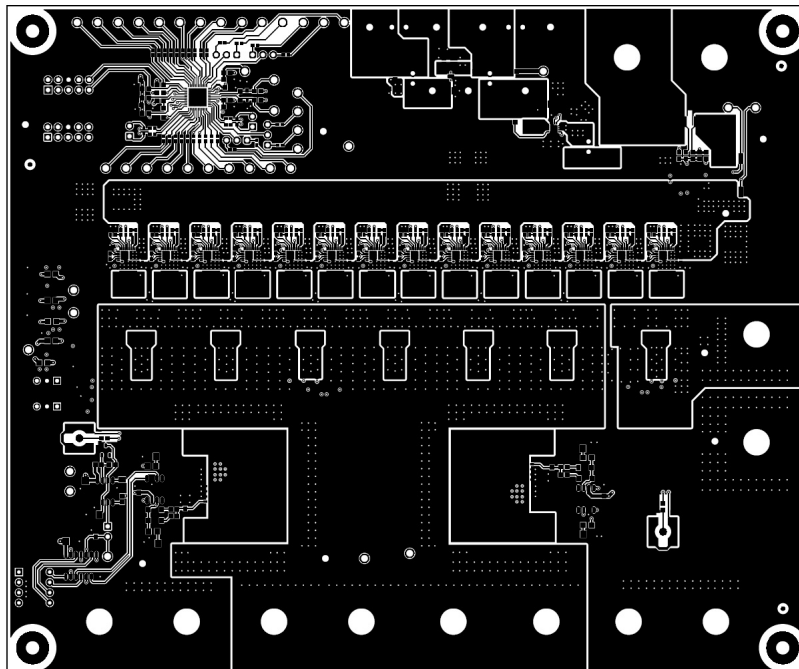


Figure 8-4. TPS53676EVM-084 PCB Top layer

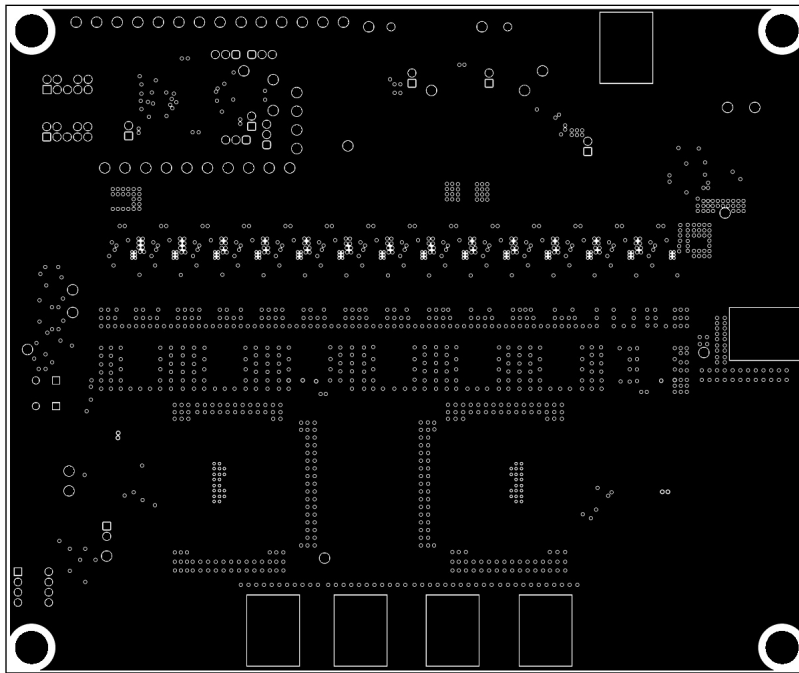


Figure 8-5. TPS53676EVM-084 PCB Layer2-GND

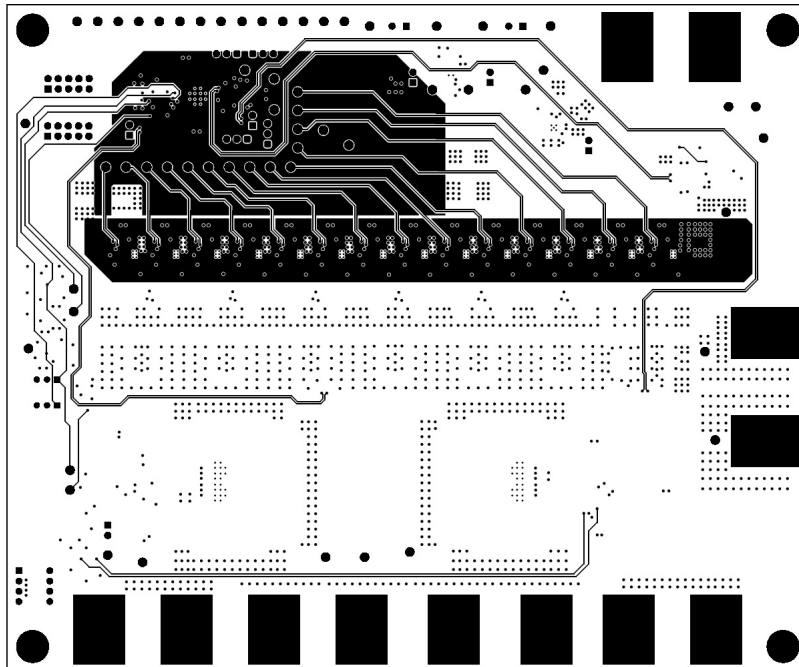


Figure 8-6. TPS53676EVM-084 PCB Layer03-Signal

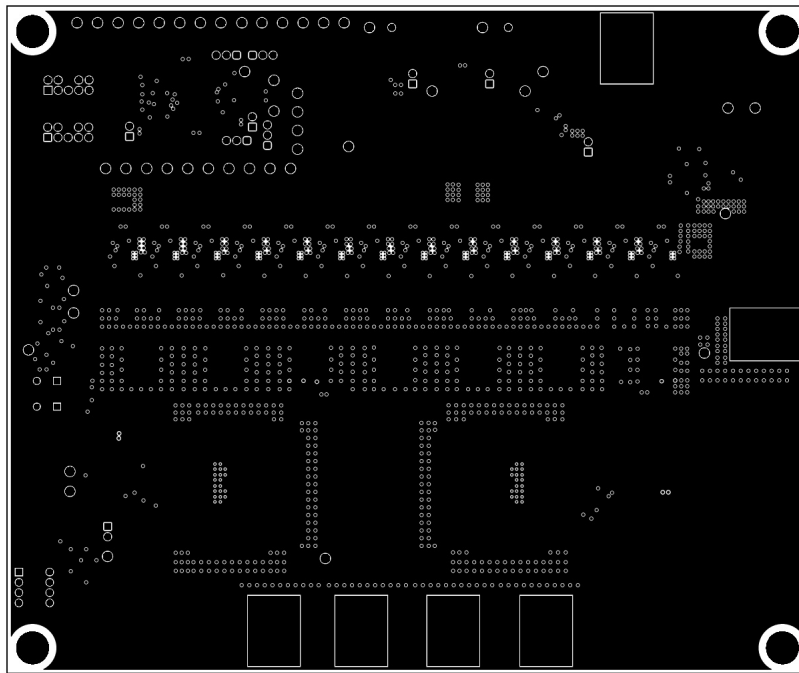


Figure 8-7. TPS53676EVM-084 PCB Layer04-GND

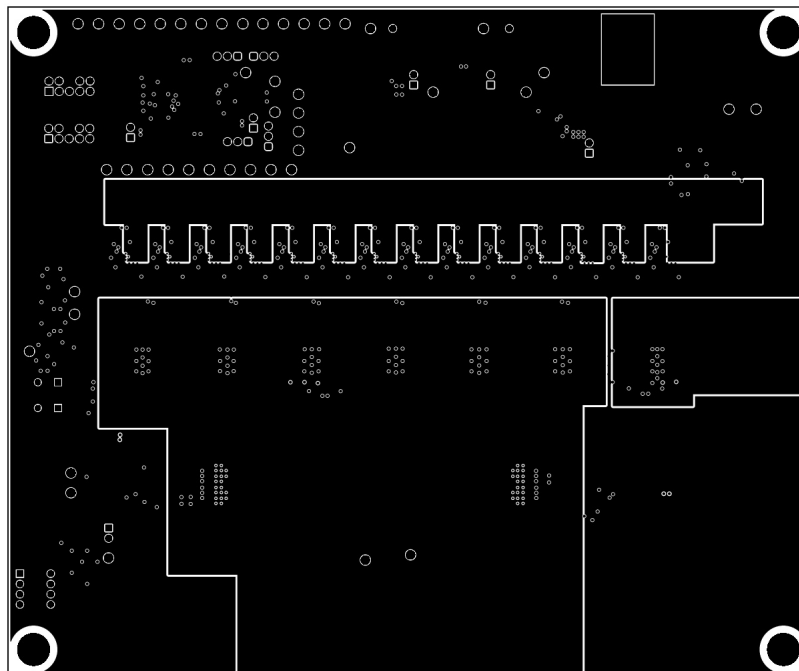


Figure 8-8. TPS53676EVM-084 PCB Layer05-Power

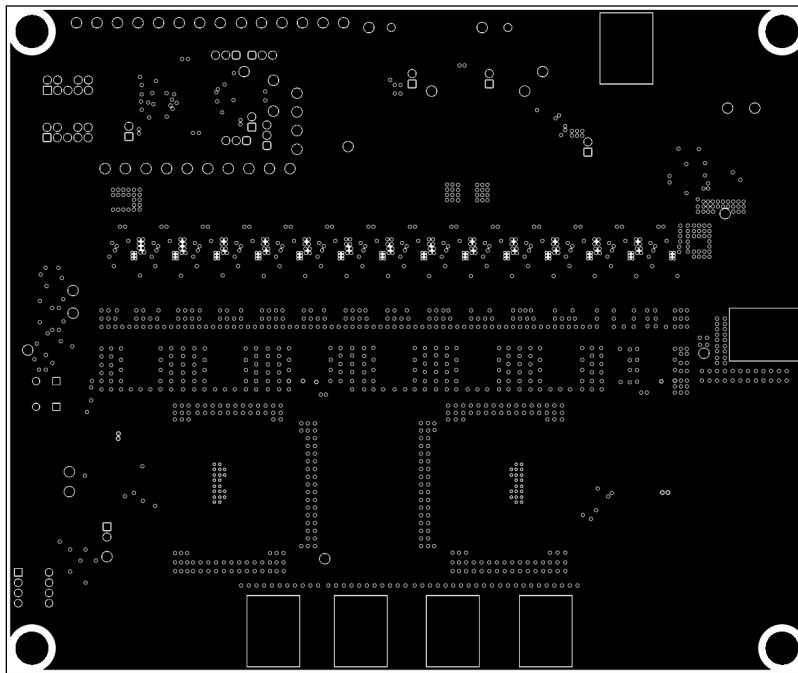


Figure 8-9. TPS53676EVM-084 PCB Layer06-GND

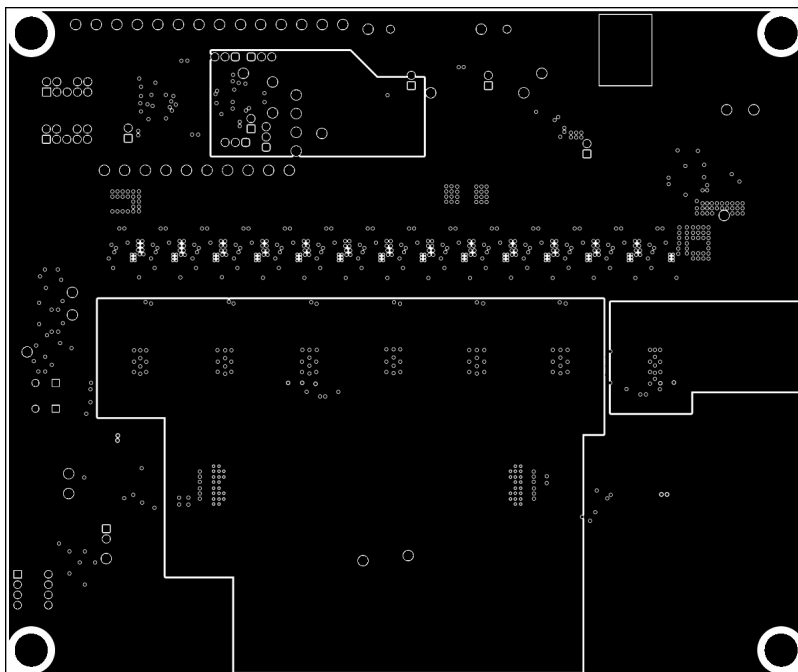


Figure 8-10. TPS53676EVM-084 PCB Layer07-Power

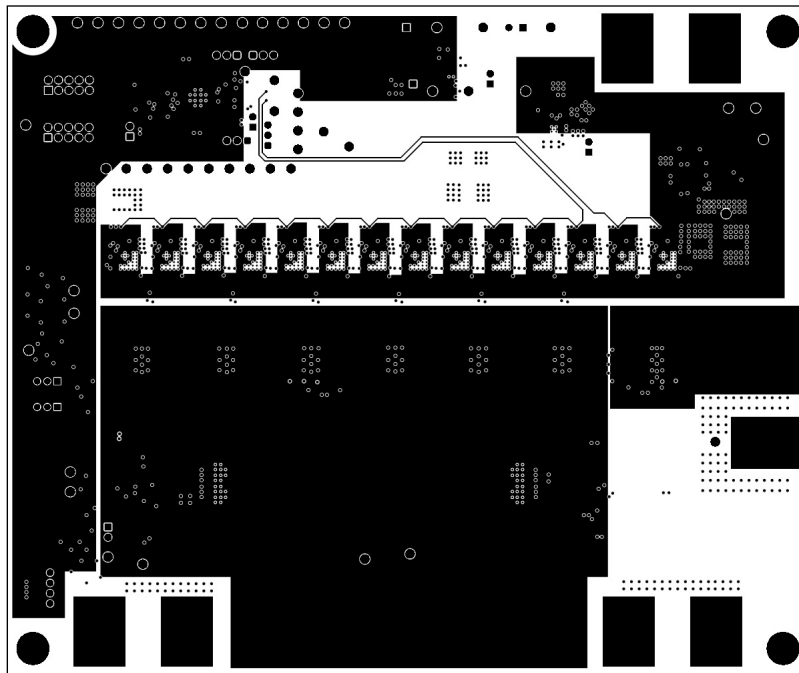


Figure 8-11. TPS53676EVM-084 PCB Layer08-Power

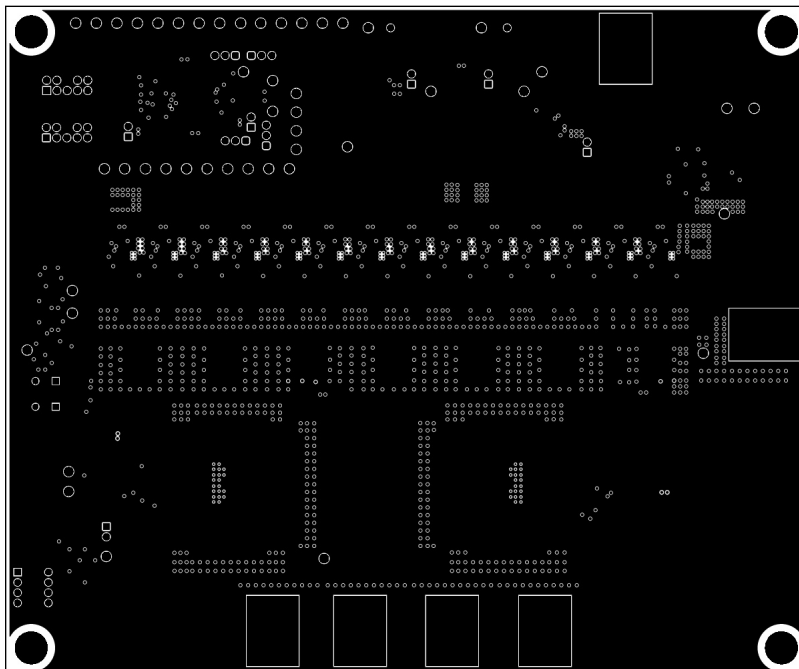


Figure 8-12. TPS53676EVM-084 PCB Layer09-GND

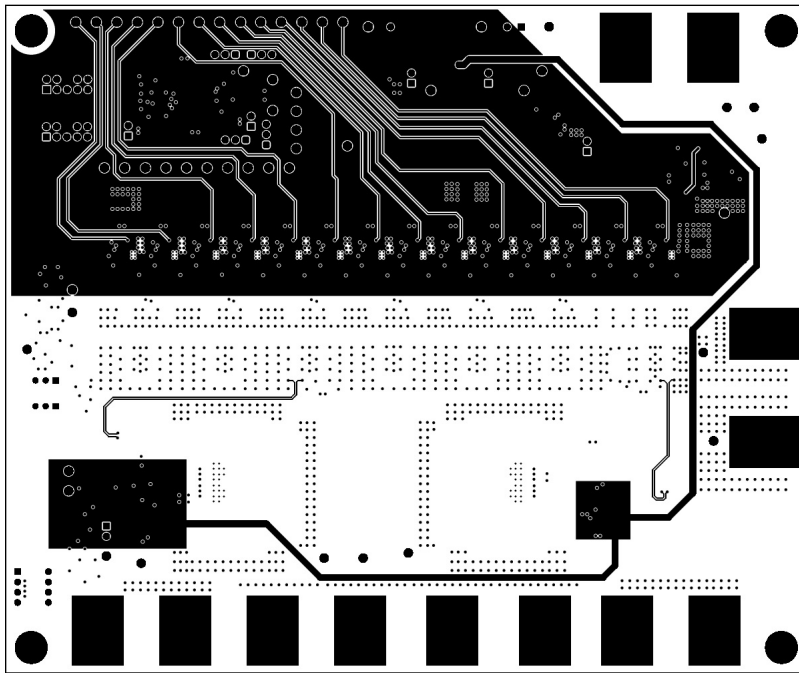


Figure 8-13. TPS53676EVM-084 PCB Layer10-Signal

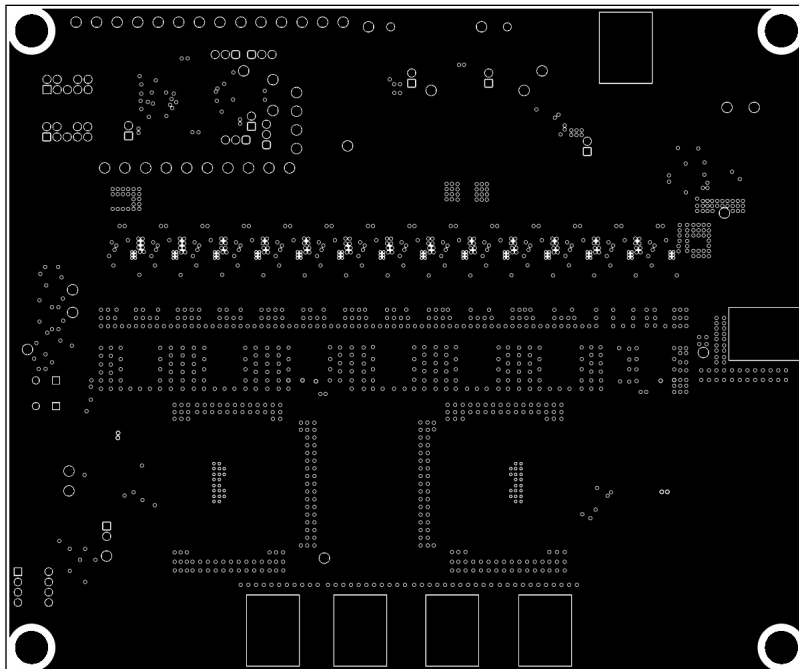


Figure 8-14. TPS53676EVM-084 PCB Layer11-GND

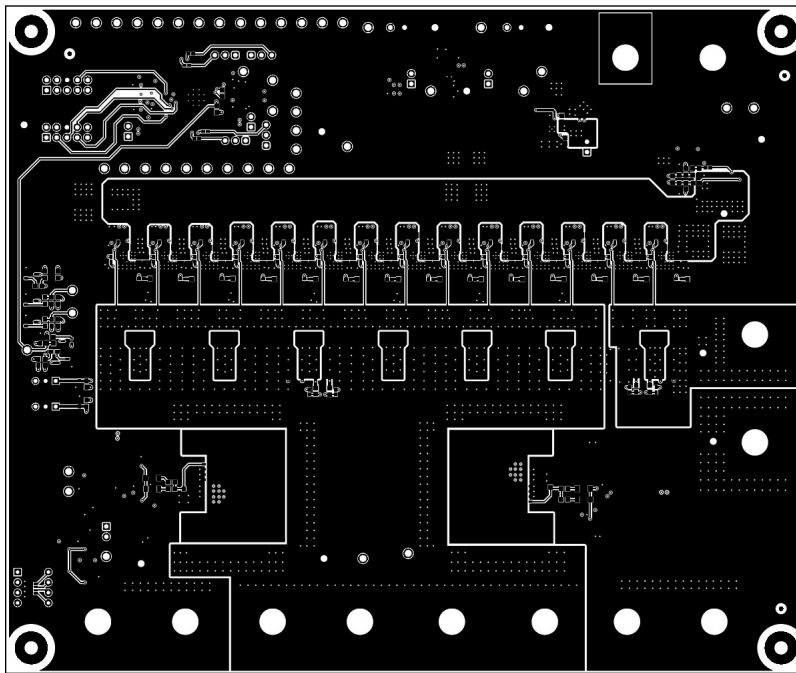


Figure 8-15. TPS53676EVM-084 PCB Bottom layer

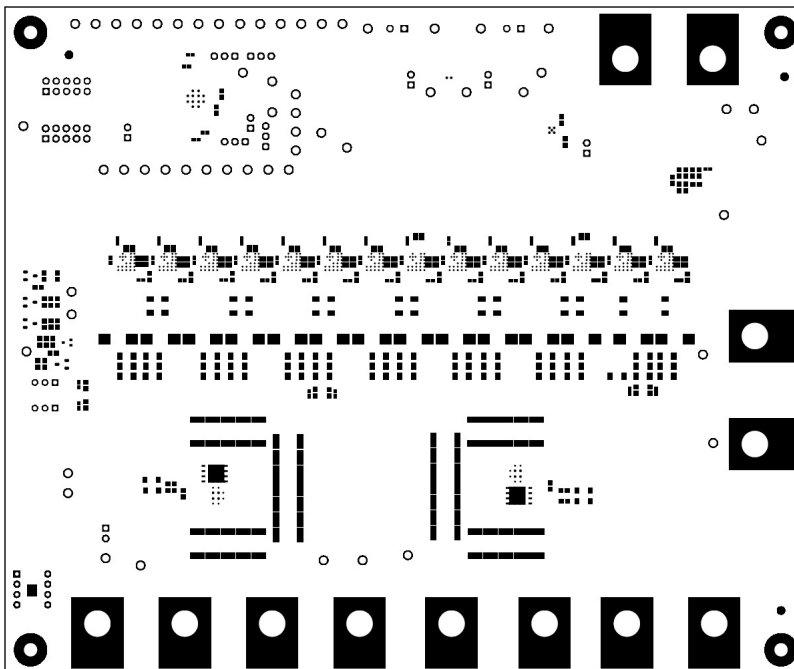


Figure 8-16. TPS53676EVM-084 PCB Bottom solder

9 Schematic and Bill of Materials

Figure 9-1 Figure 9-10 through show the TPS536C7EVM-051 schematics.

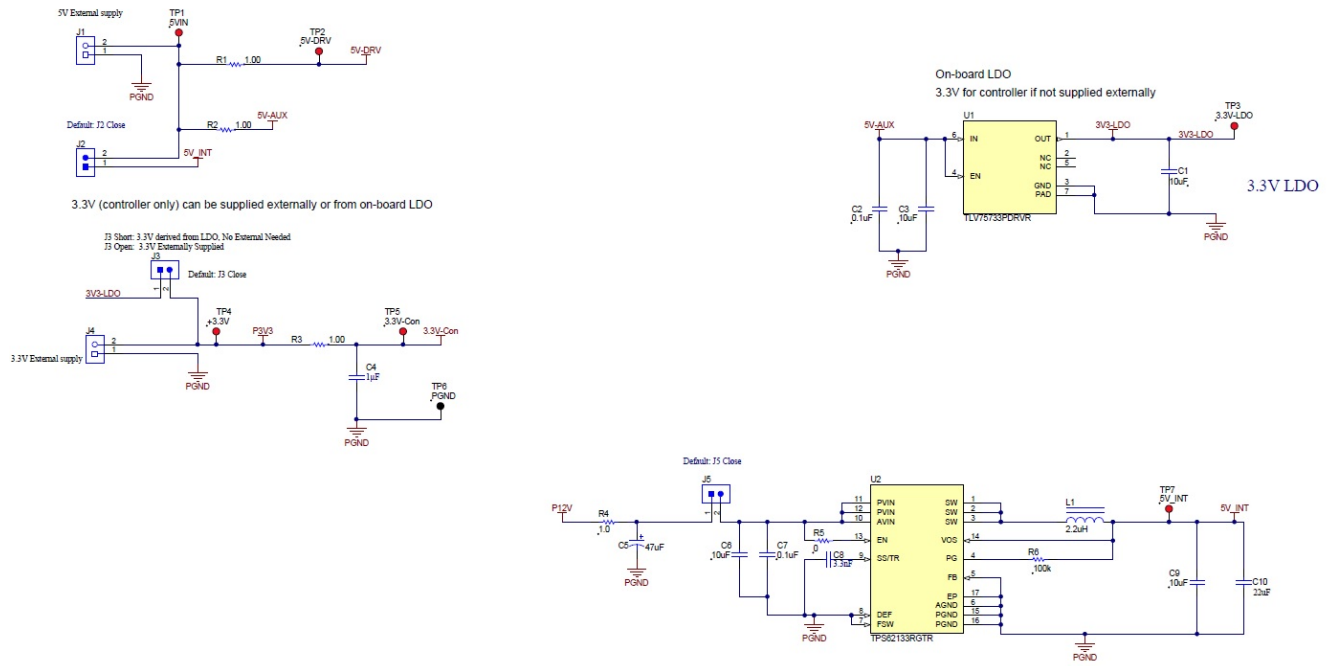


Figure 9-1. TPS53676EVM-084 Aux power

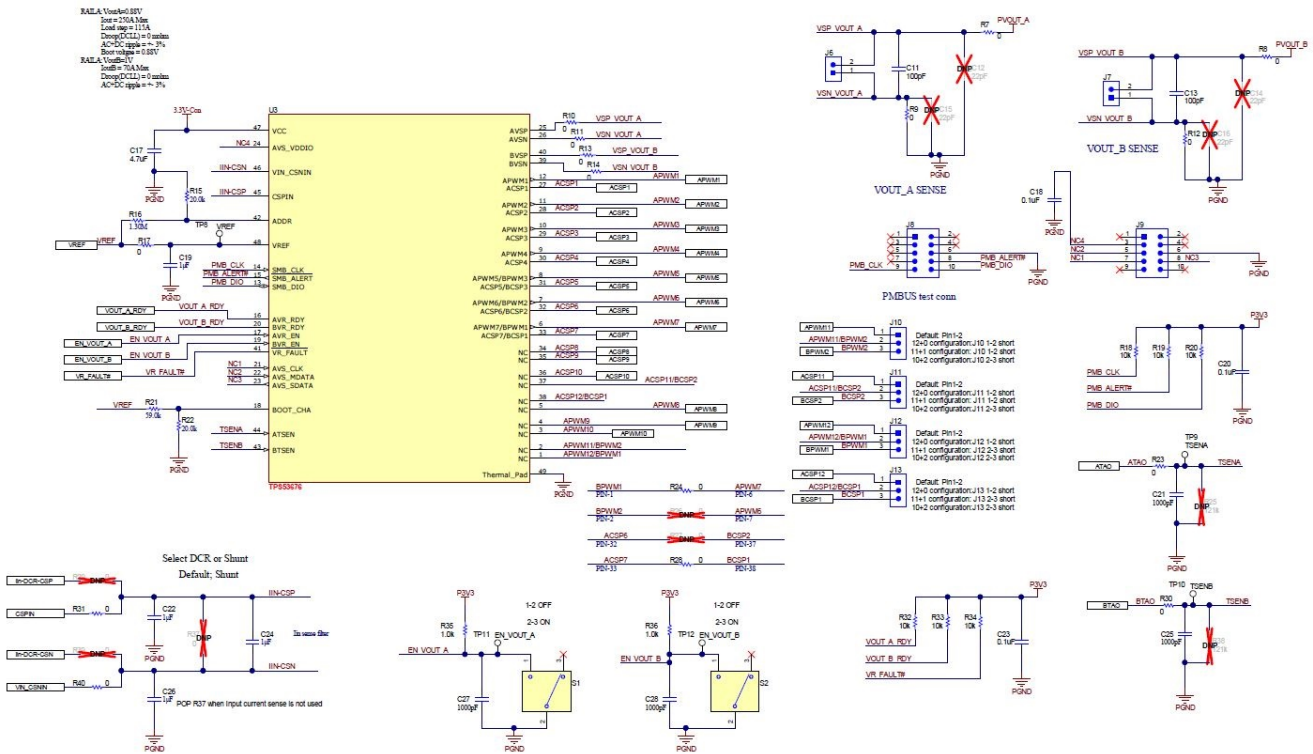


Figure 9-2. TPS53676EVM-084 Controller Schematic

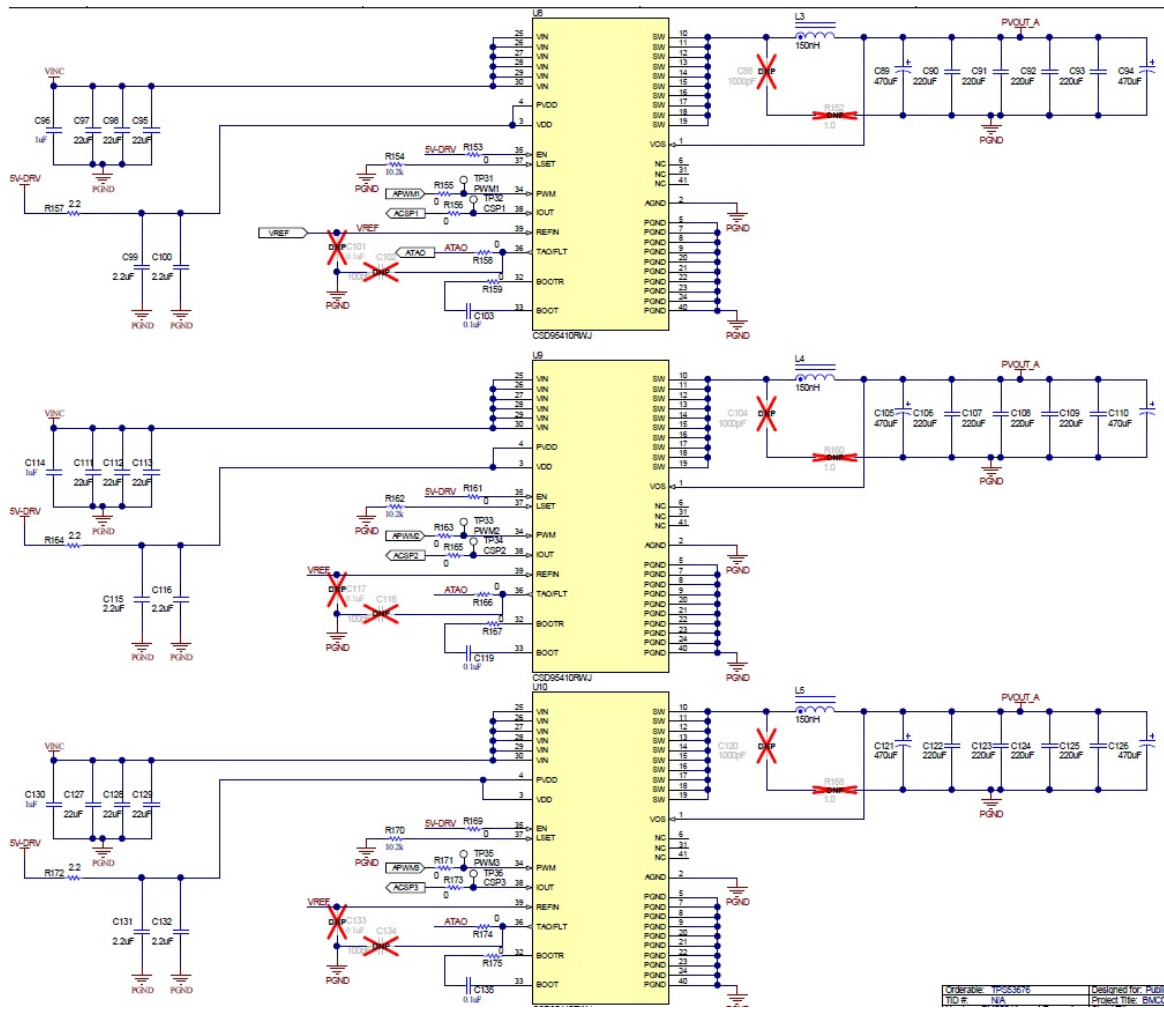


Figure 9-3. TPS53676EVM-084 Rail A Power Stages 1-2-3 Schematic

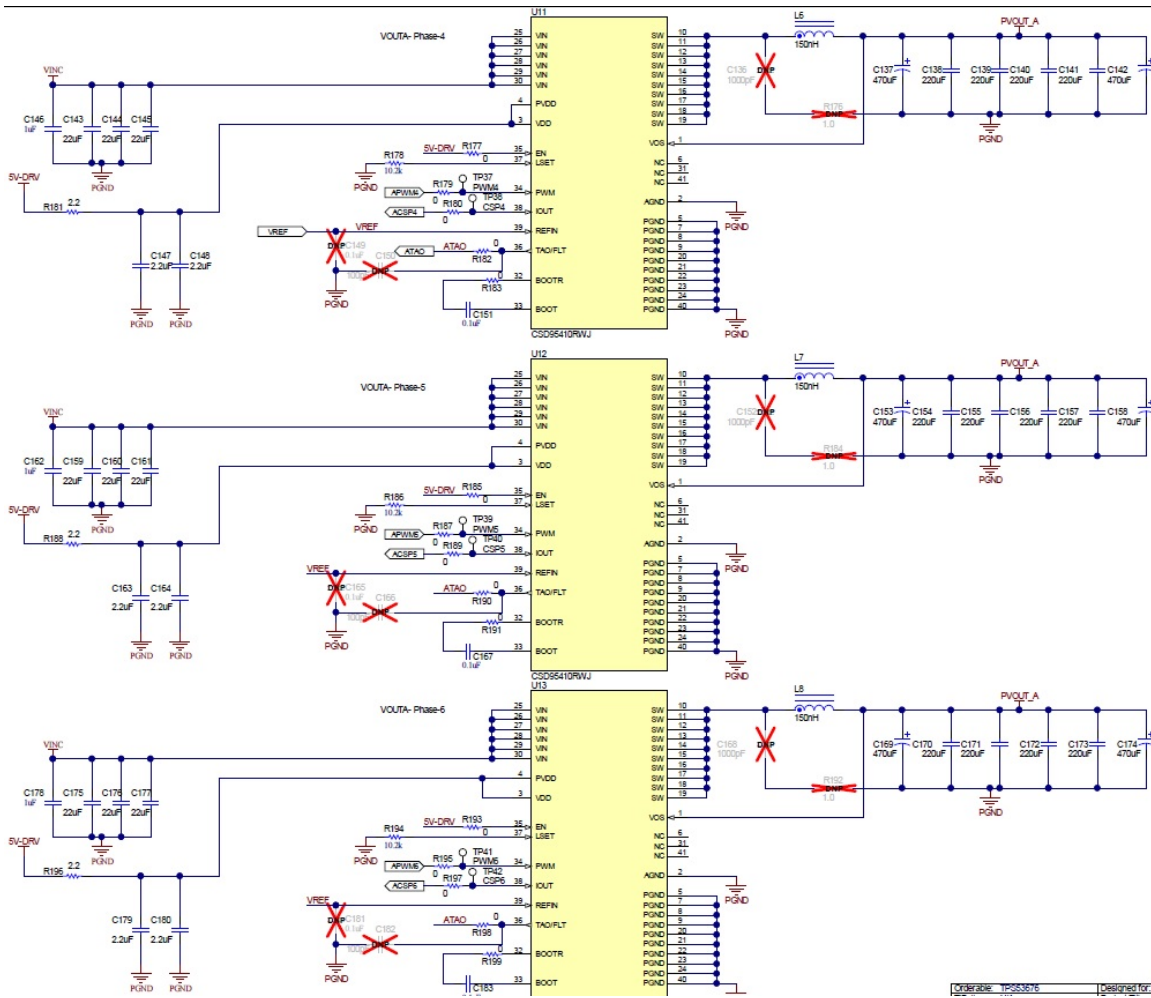


Figure 9-4. TPS53676EVM-084 Rail A Power Stages 4-5-6 Schematic

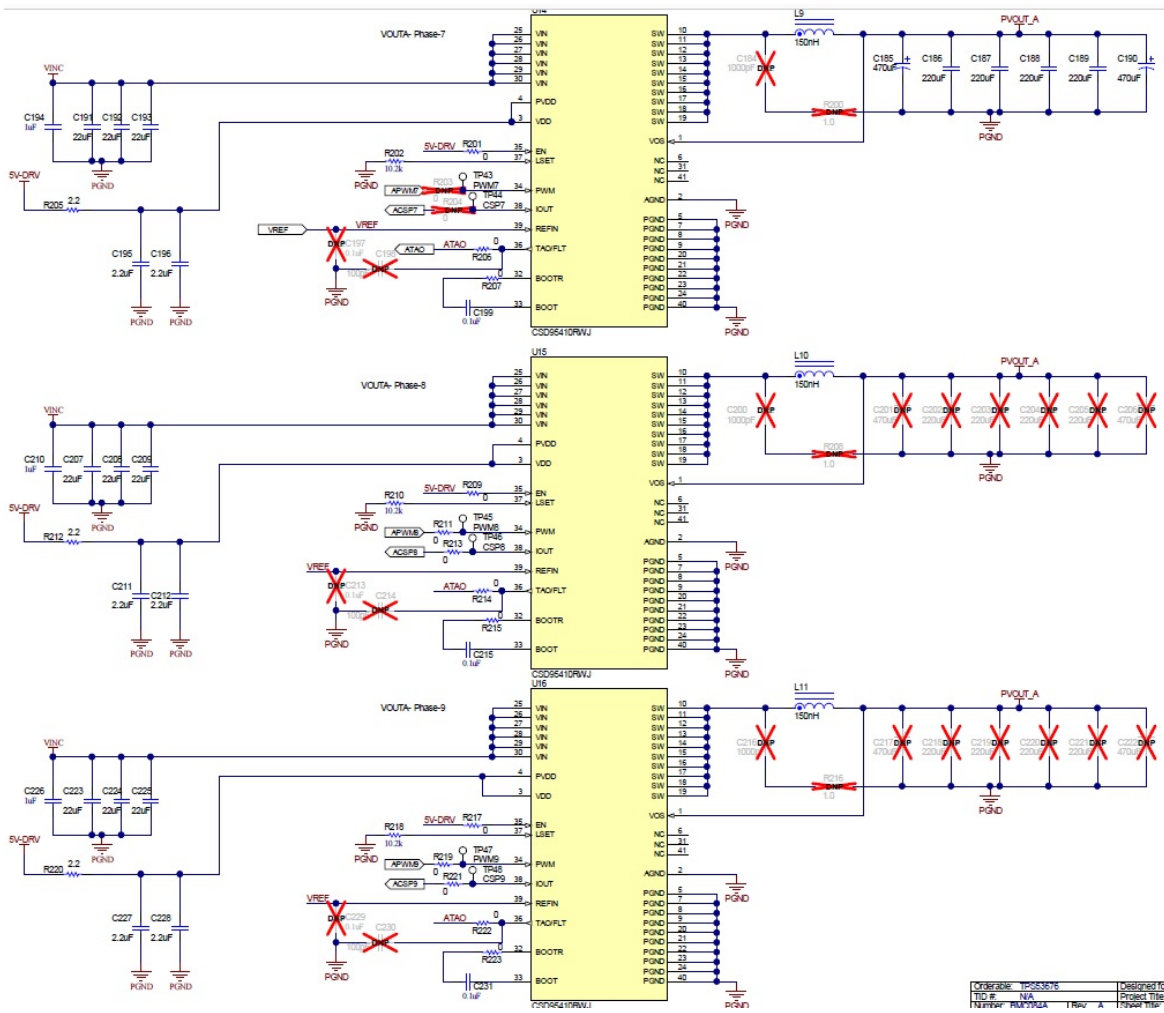


Figure 9-5. TPS53676EVM-084 Rail A Power Stages 7-8-9 Schematic

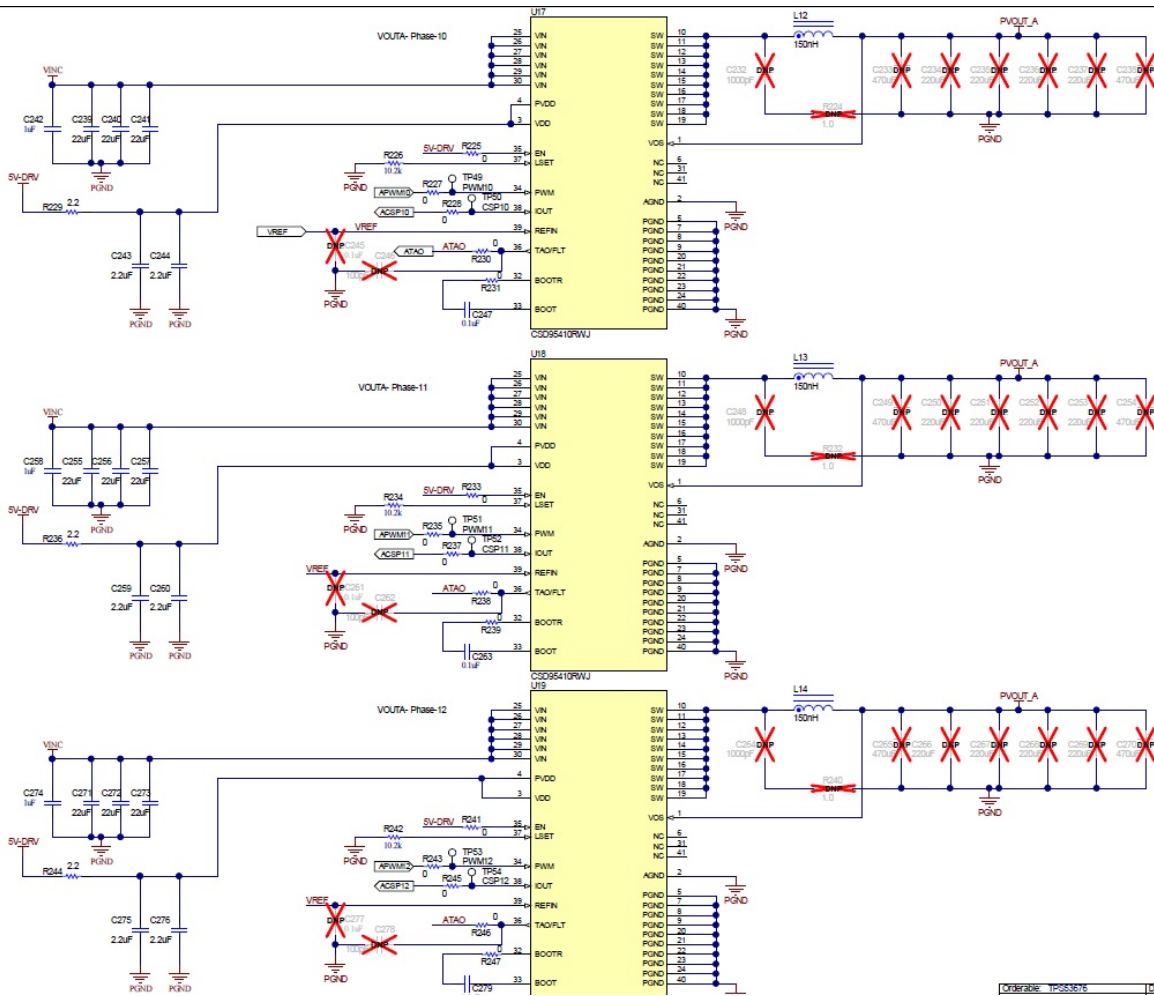


Figure 9-6. TPS53676EVM-084 Rail A Power Stages 10-11-12 Schematic

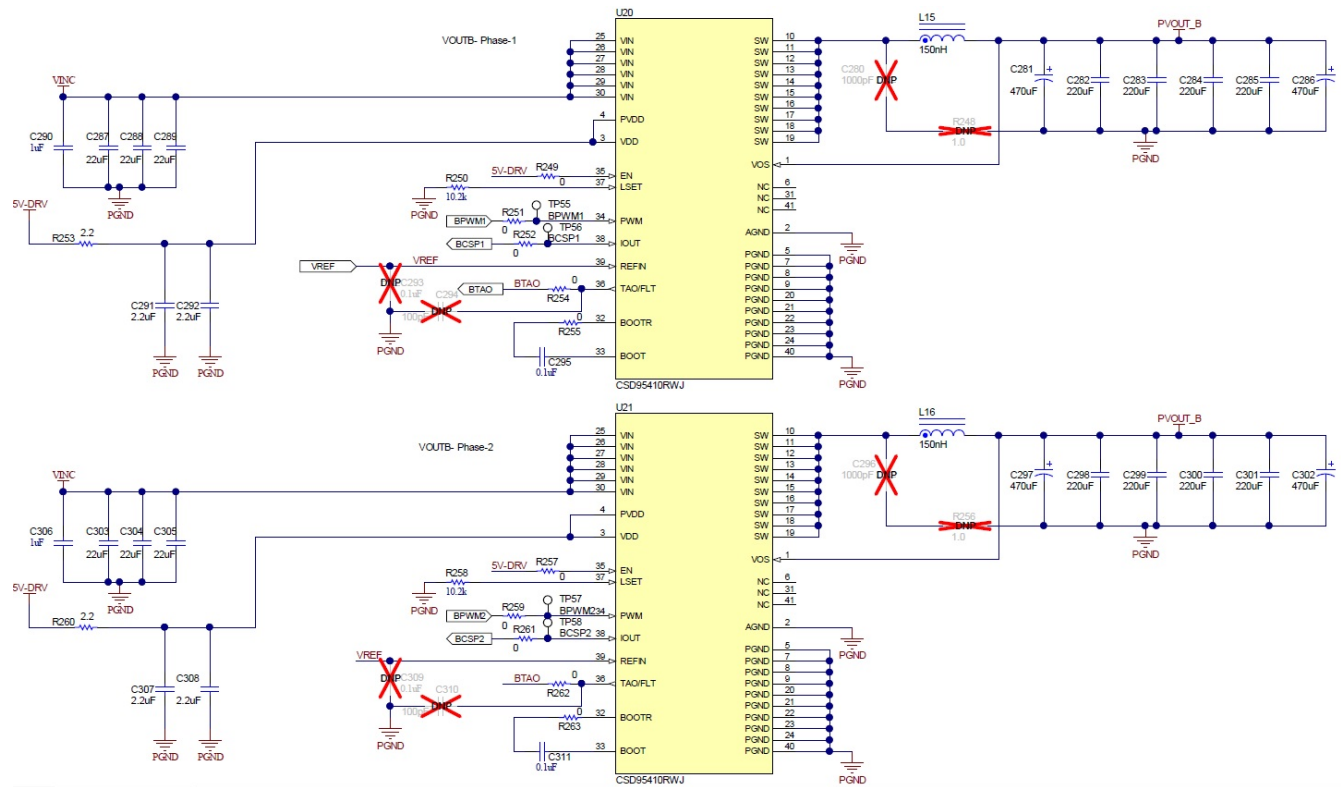


Figure 9-7. TPS53676EVM-084 Rail B Power Stages 1-2 Schematic

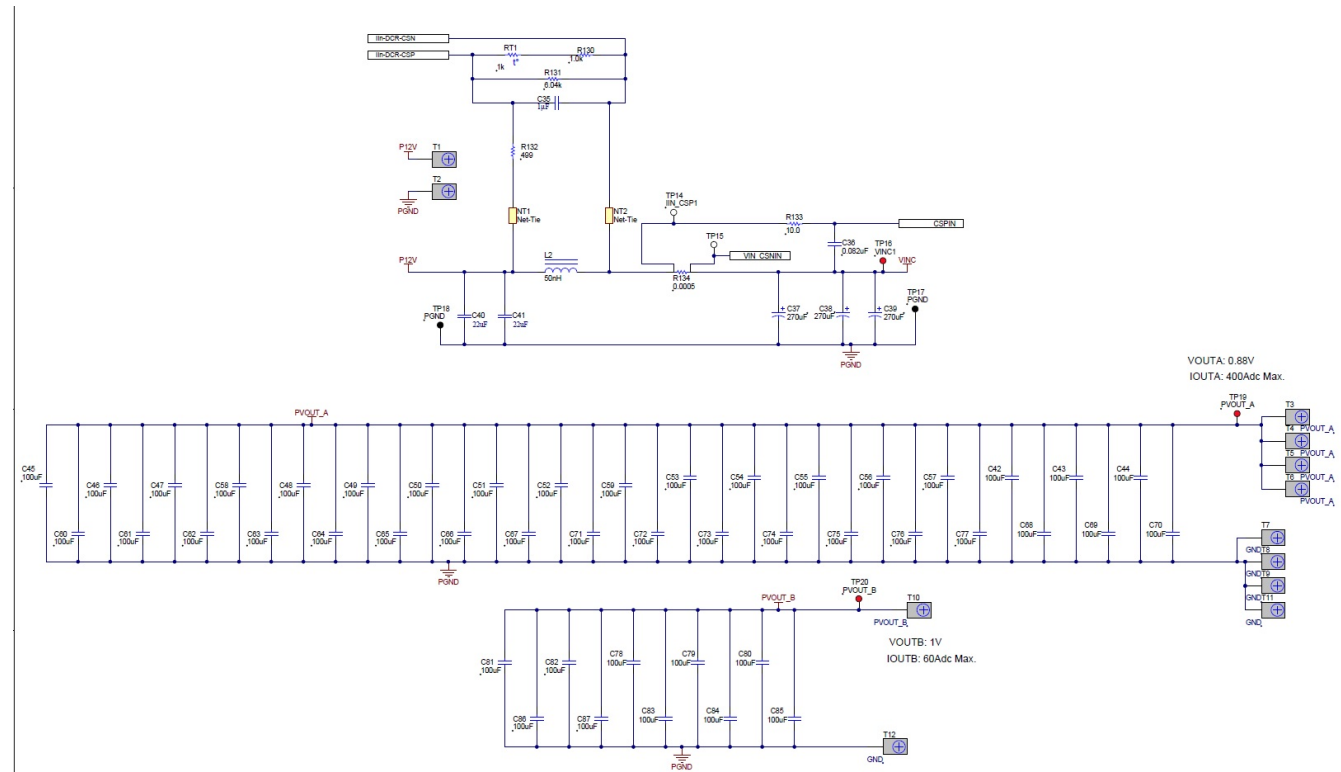


Figure 9-8. TPS53676EVM-084 Input and output filter Schematic

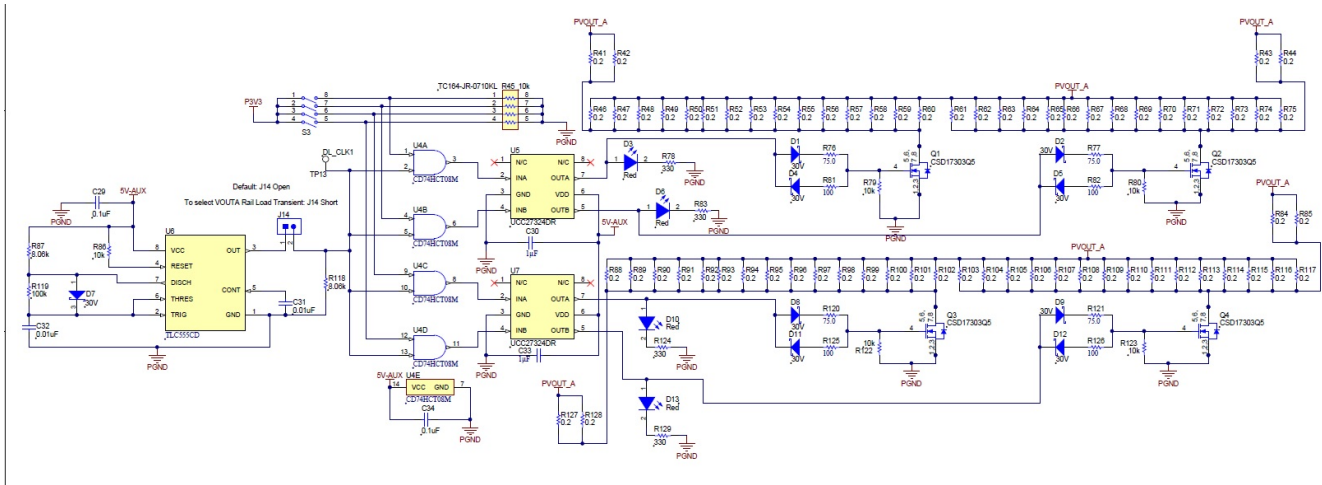


Figure 9-9. TPS53676EVM-084 On Board transient Load Schematic

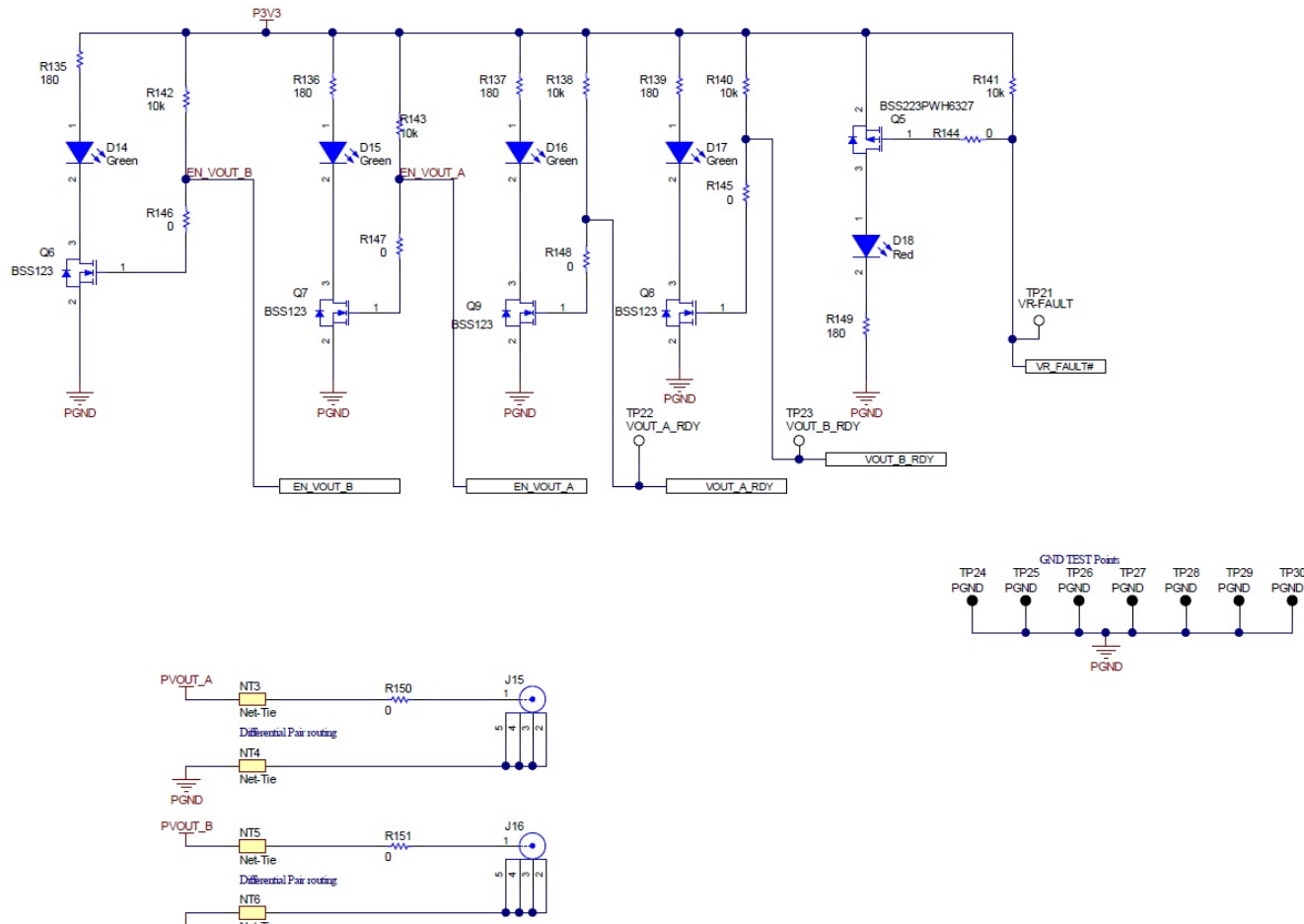


Figure 9-10. TPS53676EVM-084 Helper Circuits and Indicators Schematic

Table 9-1. Bill of Materials

Designator	Qty Value	Description	Package	Reference	Part Number	Manufacturer
C1, C3, C9	3	10uF	CAP, CERM, 10 uF, 25 V, +/- 10%, X5R, 0805	805	C2012X5R1E10 6K125AB	TDK
C2, C7, C18, C20, C23	5	0.1uF	CAP, CERM, 0.1 uF, 50 V, +/- 10%, X7R, 0603	603	06035C104KAT2 A	AVX

Table 9-1. Bill of Materials (continued)

Designator	Qty Value	Description	Package	Reference	Part Number	Manufacturer
C4, C19, C22, C24, C26, C30, C33, C35	8	1uF	CAP, CERM, 1 uF, 16 V, +/- 10%, X7R, AEC-Q200 Grade 1, 0603	603	GCM188R71C105KA64D	MuRata
C5	1	47uF	CAP, Polymer Hybrid, 47 uF, 35 V, +/- 20%, 60 ohm, 6.3x5.8 SMD	6.3x5.8	EEHZC1V470P	Panasonic
C6	1	10uF	CAP, CERM, 10 uF, 25 V, +/- 20%, X5R, 0603	603	C1608X5R1E106M080AC	TDK
C8	1	3300pF	CAP, CERM, 3300 pF, 50 V, +/- 10%, X7R, 0603	603	C0603X332K5R ACTU	Kemet
C10	1	22uF	CAP, CERM, 22 uF, 16 V, +/- 20%, X5R, 0805	805	GRM21BR61C226ME44L	MuRata
C11, C13	2	100pF	CAP, CERM, 100 pF, 25 V, +/- 5%, C0G/NP0, 0402	402	C0402C101J3G ACTU	Kemet
C17	1	4.7uF	CAP, CERM, 4.7 uF, 10 V, +/- 10%, X5R, 0603	603	C0603C475K8P ACTU	Kemet
C21, C25, C27, C28	4	1000pF	CAP, CERM, 1000 pF, 50 V, +/- 10%, X7R, 0402	402	C0402C102K5R ACTU	Kemet
C29, C34	2	0.1uF	CAP, CERM, 0.1 uF, 25 V, +/- 10%, X7R, 0805	805	08053C104KAT2A	AVX
C31, C32	2	0.01uF	CAP, CERM, 0.01 uF, 100 V, +/- 5%, X7R, 0805	805	08051C103JAT2A	AVX
C36	1	0.082uF	CAP, CERM, 0.082 uF, 16 V, +/- 10%, X7R, 0603	603	0603YC823KAT2A	AVX
C37, C38, C39	3	270uF	CAP, Polymer Hybrid, 270 uF, 35 V, +/- 20%, 20 ohm, 10x10 SMD	10x10	EEHZA1V271P	Panasonic
C40, C41	2	22uF	CAP, CERM, 22 uF, 35 V, +/- 20%, X5R, 1206	1206	C3216X5R1V226M160AC	TDK
C42, C43, C44, C45, C46, C47, C48, C49, C50, C51, C52, C53, C54, C55, C56, C57, C58, C59, C60, C61, C62, C63, C64, C65, C66, C67, C68, C69, C70, C71, C72, C73, C74, C75, C76, C77, C78, C79, C80, C81, C82, C83, C84, C85, C86, C87	46	100uF	CAP, CERM, 100 uF, 4 V, +/- 20%, X5R, 1206	1206	GRM31CR60G107ME39L	MuRata
C89, C94, C105, C110, C121, C126, C137, C142, C153, C158, C169, C174, C185, C190, C281, C286, C297, C302	18	470uF	CAP, Aluminum Polymer, 470 uF, 2.5 V, +/- 20%, 0.003 ohm, SMD_7.3x1.9x4.3mm SMD	SMD_7.3x1.9x4.3mm	EEF-GX0E471R	Panasonic

Table 9-1. Bill of Materials (continued)

Designator	Qty Value	Description	Package	Reference	Part Number	Manufacturer
C90, C91, C92, C93, C106, C107, C108, C109, C122, C123, C124, C125, C138, C139, C140, C141, C154, C155, C156, C157, C170, C171, C172, C173, C186, C187, C188, C189, C282, C283, C284, C285, C298, C299, C300, C301	36	220uF	CAP, CERM, 220 uF, 4 V, +/- 20%, X5R, 1206_190	1206	GRM31CR60G2 27ME11L	Murata
C95, C97, C98, C111, C112, C113, C127, C128, C129, C143, C144, C145, C159, C160, C161, C175, C176, C177, C191, C192, C193, C207, C208, C209, C223, C224, C225, C239, C240, C241, C255, C256, C257, C271, C272, C273, C287, C288, C289, C303, C304, C305	42	22uF	CAP, CERM, 22 uF, 16 V, +/- 20%, X5R, 0805	805	GRM21BR61C2 26ME44	MuRata
C96, C114, C130, C146, C162, C178, C194, C210, C226, C242, C258, C274, C290, C306	14	1uF	CAP, CERM, 1 uF, 25 V, +/- 10%, X5R, 0402	402	GRM155R61E10 5KA12D	MuRata
C99, C100, C115, C116, C131, C132, C147, C148, C163, C164, C179, C180, C195, C196, C211, C212, C227, C228, C243, C244, C259, C260, C275, C276, C291, C292, C307, C308	28	2.2uF	CAP, CERM, 2.2 uF, 10 V, +/- 10%, X5R, 0402	402	C1005X5R1A22 5K050BC	TDK
C103, C119, C135, C151, C167, C183, C199, C215, C231, C247, C263, C279, C295, C311	14	0.1uF	CAP, CERM, 0.1 uF, 50 V, +/- 10%, X7R, AEC-Q200 Grade 1, 0402	402	GCM155R71H1 04KE02D	MuRata
D1, D2, D4, D5, D8, D9, D11, D12	8	30V	Diode, Schottky, 30 V, 0.5 A, SOD-123	SOD-123	MBR0530T1G	ON Semiconductor
D3, D6, D10, D13, D18	5	Red	LED, Red, SMD	Red 0805 LED	LTST-C170KRKT	Lite-On
D7	1	30V	Diode, Schottky, 30 V, 0.2 A, SOT-23	SOT-23	BAT54-7-F	Diodes Inc.
D14, D15, D16, D17	4	Green	LED, Green, SMD	LED_0805	LTST-C170KGKT	Lite-On
H1, H2, H3, H4, H5, H6, H7, H8, H9, H10, H11, H12	12		Machine Screw Pan Philips 10-32		PMSSS 102 0050 PH	B&F Fastener Supply
H13, H14, H15, H16, H17, H18, H19, H20, H21, H22, H23, H24	12		Machine Screw Nut, Hex, 3/8", Stn, Steel, 10-32		HNSS 102	B&F Fastener Supply
H25, H26, H27, H28	4		Machine Screw, Round, #4-40 x 1/4, Nylon, Philips panhead	Screw	NY PMS 440 0025 PH	B&F Fastener Supply

Table 9-1. Bill of Materials (continued)

Designator	Qty Value	Description	Package	Reference	Part Number	Manufacturer
H29, H30, H31, H32, H33, H34, H35, H36, H37, H38, H39, H40	12		Washer, Split Lock, #10		1477	Keystone
H41, H42, H43, H44	4			Standoff	1902C	Keystone
J1, J4	2		Terminal Block, 3.5 mm, 2x1, Tin, TH	Terminal Block, 3.5 mm, 2x1, TH	39357-0002	Molex
J2, J3, J5, J6, J7, J14	6		Header, 100mil, 2x1, Gold, TH	2x1 Header	TSW-102-07-G-S	Samtec
J8	1		Header (shrouded), 100mil, 5x2, Gold, TH	5x2 Shrouded header	5103308-1	TE Connectivity
J9	1		Header, 100mil, 5x2, Gold, TH	5x2 Header	TSW-105-07-G-D	Samtec
J10, J11, J12, J13	4		Header, 100mil, 3x1, Gold, TH	3x1 Header	TSW-103-07-G-S	Samtec
J15, J16	2		Connector, SMT, SMB Jack Assembly 50 ohm	Connector, SMT, SMB Jack Assembly	131-3711-201	Cinch Connectivity
L1	1	2.2uH	Inductor, Shielded, Composite, 2.2 uH, 3.7 A, 0.02 ohm, SMD	4x2x4mm	XFL4020-222MEB	Coilcraft
L2	1	50nH	Inductor, Ferrite, 50 nH, 53 A, 0.0002889 ohm, SMD	5.2x5mm	AH2026A-R05LHF	Inter-Technical Group
L3, L4, L5, L6, L7, L8, L9, L10, L11, L12, L13, L14, L15, L16	14	150nH	Inductor, 150 nH, 68 A, 0.0002035 ohm, SMD	10x7x10mm	PA4390.151HLT	Pulse Engineering
Q1, Q2, Q3, Q4	4	30V	MOSFET, N-CH, 30 V, 100 A, DQH0008A (VSON-CLIP-8)	DQH0008A	CSD17303Q5	Texas Instruments
Q5	1	-20V	MOSFET, P-CH, -20 V, -0.39 A, SOT-323	SOT-323	BSS223PWH6327	Infineon Technologies
Q6, Q7, Q8, Q9	4	100V	MOSFET, N-CH, 100 V, 0.17 A, SOT-23	SOT-23	BSS123	Fairchild Semiconductor
R1, R2, R3	3	1	RES, 1.00, 1%, 0.1 W, 0603	603	RC0603FR-071RL	Yageo America
R4	1	1	RES, 1.0, 5%, 1 W, 2010	2010	CRCW20101R00JNEFHP	Vishay-Dale
R5, R7, R8, R9, R12, R17, R23, R30, R31, R40, R144, R145, R146, R147, R148, R150, R151	17	0	RES, 0, 5%, 0.1 W, 0603	603	CRCW06030000Z0EA	Vishay-Dale
R6, R119	2	100k	RES, 100 k, 1%, 0.1 W, 0603	603	CRCW0603100KFKEA	Vishay-Dale
R10, R11, R13, R14	4	0	RES, 0, 5%, 0.063 W, 0402	402	CRCW04020000Z0ED	Vishay-Dale
R15, R22	2	20.0k	RES, 20.0 k, 1%, 0.1 W, AEC-Q200 Grade 0, 0603	603	CRCW060320K0FKEA	Vishay-Dale
R16	1	1.30Meg	RES, 1.30 M, 1%, 0.1 W, AEC-Q200 Grade 0, 0603	603	CRCW06031M30FKEA	Vishay-Dale
R18, R19, R20, R32, R33, R34, R79, R80, R86, R122, R123, R138, R140, R141, R142, R143	16	10k	RES, 10 k, 5%, 0.1 W, 0603	603	CRCW060310K0JNEA	Vishay-Dale
R21	1	59.0k	RES, 59.0 k, 1%, 0.1 W, AEC-Q200 Grade 0, 0603	603	CRCW060359K0FKEA	Vishay-Dale

Table 9-1. Bill of Materials (continued)

Designator	Qty Value	Description	Package	Reference	Part Number	Manufacturer
R35, R36, R130	3	1.0k	RES, 1.0 k, 5%, 0.1 W, 0603	603	CRCW06031K00JNEA	Vishay-Dale
R41, R42, R43, R44, R46, R47, R48, R49, R50, R51, R52, R53, R54, R55, R56, R57, R58, R59, R60, R61, R62, R63, R64, R65, R66, R67, R68, R69, R70, R71, R72, R73, R74, R75, R84, R85, R88, R89, R90, R91, R92, R93, R94, R95, R96, R97, R98, R99, R100, R101, R102, R103, R104, R105, R106, R107, R108, R109, R110, R111, R112, R113, R114, R115, R116, R117, R127, R128	68	0.2	RES, 0.2, 1%, 2 W, 2512	2512	CSRN2512FKR200	Stackpole Electronics Inc
R45	1	10k	RES, 10 k, 5%, 0.0625 W, 3.2x1.6mm	3.2x1.6mm	TC164-JR-0710KL	Yageo America
R76, R77, R120, R121	4	75	RES, 75.0, 1%, 0.1 W, AEC-Q200 Grade 0, 0603	603	CRCW060375R0FKEA	Vishay-Dale
R78, R83, R124, R129	4	330	RES, 330, 5%, 0.125 W, 0805	805	CRCW0805330RJNEA	Vishay-Dale
R81, R82, R125, R126	4	100	RES, 100, 1%, 0.1 W, AEC-Q200 Grade 0, 0603	603	CRCW0603100RFKEA	Vishay-Dale
R87, R118	2	8.06k	RES, 8.06 k, 1%, 0.1 W, 0603	603	CRCW06038K06FKEA	Vishay-Dale
R131	1	6.04k	RES, 6.04 k, 1%, 0.1 W, 0603	603	CRCW06036K04FKEA	Vishay-Dale
R132	1	499	RES, 499, 1%, 0.1 W, 0603	603	CRCW0603499RFKEA	Vishay-Dale
R133	1	10	RES, 10.0, 1%, 0.063 W, 0402	402	CRCW040210R0FKED	Vishay-Dale
R134	1	0.0005	RES, 0.0005, 1%, 3 W, 4026	4026	WSL4026L5000FEB	Vishay-Dale
R135, R136, R137, R139, R149	5	180	RES, 180, 5%, 0.1 W, 0603	603	CRCW0603180RJNEA	Vishay-Dale

Table 9-1. Bill of Materials (continued)

Designator	Qty Value	Description	Package	Reference	Part Number	Manufacturer
R24,R28,R153, R155, R156, R158, R159, R161, R163, R165, R166, R167, R169, R171, R173, R174, R175, R177, R179, R180, R182, R183, R185, R187, R189, R190, R191, R193, R195, R197, R198, R199, R201, R206, R207, R209, R211, R213, R214, R215, R217, R219, R221, R222, R223, R225, R227, R228, R230, R231, R233, R235, R237, R238, R239, R241, R243, R245, R246, R247, R249, R251, R252, R254, R255, R257, R259, R261, R262, R263	70	0	RES, 0, 5%, 0.063 W, AEC-Q200 Grade 0, 0402	402	CRCW04020000 Z0ED	Vishay-Dale
R154, R162, R170, R178, R186, R194, R202, R210, R218, R226, R234, R242, R250, R258	14	10.2k	RES, 10.2 k, 0.1%, 0.063 W, AEC-Q200 Grade 1, 0402	402	ERA-2AEB1022 X	Panasonic
R157, R164, R172, R181, R188, R196, R205, R212, R220, R229, R236, R244, R253, R260	14	2.2	RES, 2.2, 5%, 0.063 W, AEC-Q200 Grade 0, 0402	402	CRCW04022R2 0JNED	Vishay-Dale
RT1	1	1k	Thermistor NTC, 1.0k ohm, 5%, 0603	603	NCP18XQ102J0 3RB	MuRata
S1, S2	2		Switch, SPDT, Slide, On-On, 2 Pos, TH	4x11.6mm	EG1218	E-Switch
S3	1		DIP Switch, SPST 4Pos, Slide, TH	DIP Switch, 4 Pos	78B04ST	Grayhill
SH-J1, SH-J2, SH-J3, SH-J4, SH-J5, SH-J6, SH-J7, SH-J8	8	1x2	Shunt, 100mil, Flash Gold, Black	Closed Top 100mil Shunt	SPC02SYAN	Sullins Connector Solutions
T1, T2, T3, T4, T5, T6, T7, T8, T9, T10, T11, T12	12		Terminal 90A Lug	CB70-14-CY	CB70-14-CY	Panduit
TP1, TP2, TP3, TP4, TP5, TP7, TP16, TP19, TP20	9		Test Point, Compact, Red, TH	Red Compact Testpoint	5005	Keystone
TP6, TP17, TP18, TP24, TP25, TP26, TP27, TP28, TP29, TP30	10		Test Point, Compact, Black, TH	Black Compact Testpoint	5006	Keystone

Table 9-1. Bill of Materials (continued)

Designator	Qty Value	Description	Package	Reference	Part Number	Manufacturer
TP8, TP9, TP10, TP11, TP12, TP13, TP14, TP15, TP21, TP22, TP23, TP31, TP32, TP33, TP34, TP35, TP36, TP37, TP38, TP39, TP40, TP41, TP42, TP43, TP44, TP45, TP46, TP47, TP48, TP49, TP50, TP51, TP52, TP53, TP54, TP55, TP56, TP57, TP58	39		Test Point, Compact, White, TH	White Compact Testpoint	5007	Keystone
U1	1		1A Low-Quiescent-Current Low-Dropout (LDO) Regulator, DRV0006A (WSON-6)	DRV0006A	TLV75733PDRVR	Texas Instruments
U2	1		Buck Step Down Regulator with 3 to 17 V Input and 5 V Output, -40 to 85 degC, 16-Pin QFN (RGT), Green (RoHS & no Sb/Br)	RGT0016C	TPS62133RGTR	Texas Instruments
U3	1		Dual-Channel D-CAP+™, Dual-Channel (12+0, 11+1, 10+2, 9+3, 8+4, 7+5, 6+6 Phases) Step-Down, Multiphase Controller, RSL0048B (VQFN-48)	RSL0048B	TPS536C7RSLR	Texas Instruments
U4	1		High Speed CMOS Logic Quad 2-Input AND Gates, D0014A, TUBE	D0014A	CD74HCT08M	Texas Instruments
U5, U7	2		Dual 4 A Peak High Speed Low-Side Power MOSFET Drivers, D0008A (SOIC-8)	D0008A	UCC27324DR	Texas Instruments
U6	1		2.1-MHz, 250-uA, Low-Power Timer, D0008A (SOIC-8)	D0008A	TLC555CD	Texas Instruments
U8, U9, U10, U11, U12, U13, U14, U15, U16, U17, U18, U19, U20, U21	14		Synchronous Buck NexFET Smart Power Stage, RWJ0041A (VQFN-CLIP-41)	RWJ0041A	CSD95410RWJ	Texas Instruments
C12, C14, C15, C16	0	22pF	CAP, CERM, 22 pF, 50 V, +/- 5%, COG/NPO, 0402	402	GRM1555C1H220JA01D	MuRata
C88, C104, C120, C136, C152, C168, C184, C200, C216, C232, C248, C264, C280, C296	0	1000pF	CAP, CERM, 1000 pF, 50 V, +/- 10%, X7R, 0402	402	GRM155R71H102KA01D	MuRata
C101, C117, C133, C149, C165, C181, C197, C213, C229, C245, C261, C277, C293, C309	0	0.1uF	CAP, CERM, 0.1 uF, 50 V, +/- 10%, X7R, AEC-Q200 Grade 1, 0402	402	GCM155R71H104KE02D	MuRata
C102, C118, C134, C150, C166, C182, C198, C214, C230, C246, C262, C278, C294, C310	0	100pF	CAP, CERM, 100 pF, 25 V, +/- 5%, COG/NPO, 0402	402	C0402C101J3GACTU	Kemet

Table 9-1. Bill of Materials (continued)

Designator	Qty Value	Description	Package	Reference	Part Number	Manufacturer
C201, C206, C217, C222, C233, C238, C249, C254, C265, C270	0	470uF	CAP, Aluminum Polymer, 470 uF, 2.5 V, +/- 20%, 0.003 ohm, SMD_7.3x1.9x4.3mm SMD	SMD_7.3x1.9x4.3mm	EEF-GX0E471R	Panasonic
C202, C203, C204, C205, C218, C219, C220, C221, C234, C235, C236, C237, C250, C251, C252, C253, C266, C267, C268, C269	0	220uF	CAP, CERM, 220 uF, 4 V, +/- 20%, X5R, 1206_190	1206	GRM31CR60G227ME11L	Murata
FID1, FID2, FID3, FID4, FID5, FID6	0		Fiducial mark. There is nothing to buy or mount.	N/A	N/A	N/A
R26, R27, R203, R204	0	0	RES, 0, 5%, 0.063 W, AEC-Q200 Grade 0, 0402	402	CRCW04020000Z0ED	Vishay-Dale
R25, R38	0	121k	RES, 121 k, 1%, 0.1 W, 0603	603	CRCW0603121KFKEA	Vishay-Dale
R29, R37, R39	0	0	RES, 0, 5%, 0.1 W, 0603	603	CRCW06030000Z0EA	Vishay-Dale
R152, R160, R168, R176, R184, R192, R200, R208, R216, R224, R232, R240, R248, R256	0	1	RES, 1.0, 5%, 0.1 W, AEC-Q200 Grade 0, 0603	603	CRCW06031R00JNEA	Vishay-Dale

10 Read This First

10.1 About This Manual

This document describes the hardware architecture of the TPS536C7 Evaluation Module (EVM).

10.2 Glossary

TI Glossary This glossary lists and explains terms, acronyms, and definitions.

10.3 Related Documentation

For product information, visit the Texas Instruments website at <http://www.ti.com>.

- [TPS53676 Dual-Channel Step-Down, Multiphase Controller](#) data sheet

10.4 Support Resources

TI E2E™ support forums are an engineer's go-to source for fast, verified answers and design help — straight from the experts. Search existing answers or ask your own question to get the quick design help you need.

Linked content is provided "AS IS" by the respective contributors. They do not constitute TI specifications and do not necessarily reflect TI's views; see TI's [Terms of Use](#).

IMPORTANT NOTICE AND DISCLAIMER

TI PROVIDES TECHNICAL AND RELIABILITY DATA (INCLUDING DATA SHEETS), DESIGN RESOURCES (INCLUDING REFERENCE DESIGNS), APPLICATION OR OTHER DESIGN ADVICE, WEB TOOLS, SAFETY INFORMATION, AND OTHER RESOURCES "AS IS" AND WITH ALL FAULTS, AND DISCLAIMS ALL WARRANTIES, EXPRESS AND IMPLIED, INCLUDING WITHOUT LIMITATION ANY IMPLIED WARRANTIES OF MERCHANTABILITY, FITNESS FOR A PARTICULAR PURPOSE OR NON-INFRINGEMENT OF THIRD PARTY INTELLECTUAL PROPERTY RIGHTS.

These resources are intended for skilled developers designing with TI products. You are solely responsible for (1) selecting the appropriate TI products for your application, (2) designing, validating and testing your application, and (3) ensuring your application meets applicable standards, and any other safety, security, regulatory or other requirements.

These resources are subject to change without notice. TI grants you permission to use these resources only for development of an application that uses the TI products described in the resource. Other reproduction and display of these resources is prohibited. No license is granted to any other TI intellectual property right or to any third party intellectual property right. TI disclaims responsibility for, and you will fully indemnify TI and its representatives against, any claims, damages, costs, losses, and liabilities arising out of your use of these resources.

TI's products are provided subject to [TI's Terms of Sale](#) or other applicable terms available either on ti.com or provided in conjunction with such TI products. TI's provision of these resources does not expand or otherwise alter TI's applicable warranties or warranty disclaimers for TI products.

TI objects to and rejects any additional or different terms you may have proposed.

Mailing Address: Texas Instruments, Post Office Box 655303, Dallas, Texas 75265
Copyright © 2022, Texas Instruments Incorporated