

MSP430AFE2x3

single-phase energy meter IC



The Texas Instruments MSP430AFE2xx is a highly integrated, low-power, low-cost, high-accuracy 1-phase energy measurement metrology analog front end (AFE). The MSP430AFE2xx is particularly well suited for a wide range of metering applications such as electricity meters, home automation, energy measurement, energy saving and sub-metering systems.

Supporting up to three independent 24-bit sigma-delta ($\Sigma\Delta$) Analog to Digital Converters (ADC), the MSP430AFE2xx achieves less than 0.1 % error in energy accuracy over wide dynamic range of 2400:1. A comprehensive development tool set including hardware reference design and Energy libraries in software enables quick development, time to market and certification.

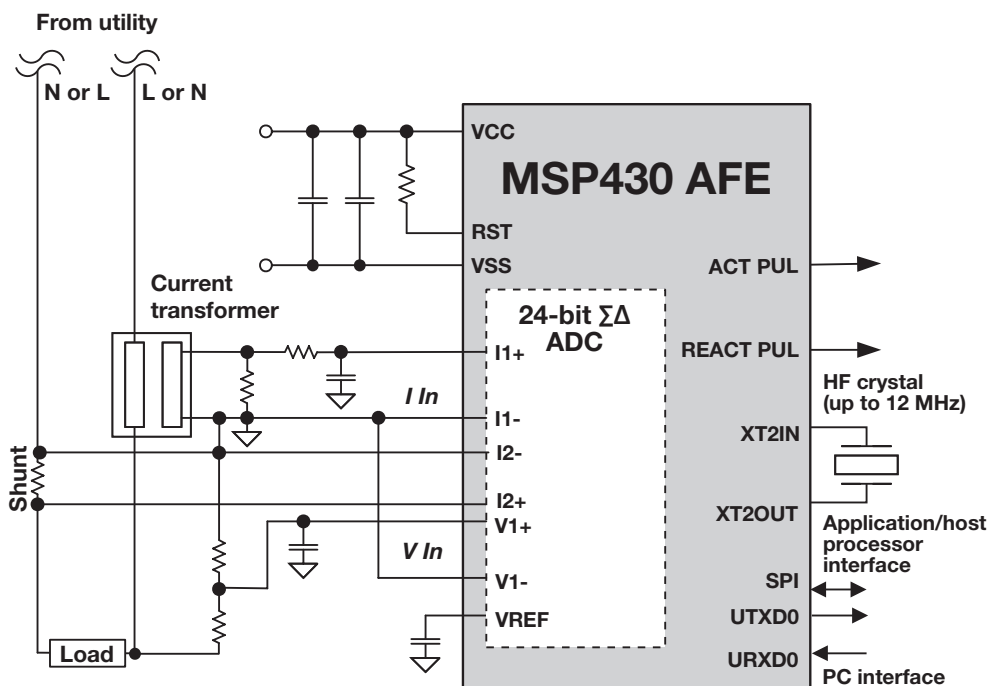
Energy library features

- Single-phase energy measurement with support for anti-tamper
- Class 0.1% accuracy over a 2400:1 dynamic range
- Exceeds IEC62053/ANSIC 12.20
- Energy libraries include calibration and provide key metrology parameters that include:
 - RMS current and voltage
 - Active, reactive and apparent power
 - Active, reactive and apparent energies
 - Independent pulse output for active and reactive energies
 - Power factor
 - SW Phase compensation
 - Frequency
 - Temperature
 - Tamper Detection

Device features

The MSP430AFE provides maximum design flexibility featuring:

- 12MHz 16-bit RISC architecture featuring an MSP430 core
- Up to three 24-bit second-order $\Sigma\Delta$ ADC
 - Differential inputs o Simultaneous sampling
 - Oversampling of up to 1024
 - Integrated Programmable Gain amplifier of gains up to 32
 - Integrated temperature and voltage sensor
 - Integrated accurate 1.2V ADC reference with 18ppm/ °C
- UART and SPI communication interfaces
- Up to 16kB programmable on-chip flash and 512 bytes of RAM
- Hardware watchdog timer
- 16-bit general purpose timer with three capture/compare
- 16-bit hardware multiplier
- User configurable supply voltage supervisor (SVS) for sag detection
- 11 General Purpose I/Os with interrupt capability





▲ MSP430 Evaluation Module (EVM430-AFE253)

Relevant documents

For device specifications and recommended operating conditions, please refer to the following documents:

- Single Phase Energy Measurement using the MSP430AFE2xx Application Note
<http://www.ti.com/litv/pdf/slaa494>
- MSP430AFE2xx Energy Library
<http://www.ti.com/litv/zip/slaa494>
- MSP430AFE2xx Datasheet
<http://www.ti.com/product/msp430afe221>
- MSP430F663x Datasheet
<http://www.ti.com/product/msp430fe6638>
- MSP430x2xx Family User's Guide
<http://www.ti.com/litv/pdf/slau144h>
- MSP430x6xx Family User's Guide
<http://www.ti.com/litv/pdf/slau208h>

Ordering information

Please send request to:
smartgrid@ti.com

For more information and latest updates visit:
www.ti.com/smartgrid

Key features

- Supports shunts/current transformers for current sensors
- Less than 0.1% error in accuracy for 2400:1 dynamic range
- Metrology parameters provided by the MSP430AFE253
- MSP430F6638 assumes the role of the application/host processor
- Support for anti-tamper detection on the MSP430AFE253
- PC communication to the MSP430AFE via RS-232
- Two-way PC communication to MSP430F6638 via on-chip USB controller
- Segment-based LCD via the MSP430F6638
- Individual JTAG connections for the 430AFE and F6638 for simultaneous debug
- Standard daughter card headers for connection to wireless modules from Texas Instruments
- Flexible and isolated power sources for MSP430AFE and MSP430F6638
 - 3.3V power rails from the AC mains
 - JTAG
- USB for MSP430F6638
 - External power supply
- Software installed for measuring metering parameters
- PC based GUI for calibration/results via MSP430AFE (UART) or MSP430F6638 (USB)
- Two LEDs and two headers for active energy and reactive energy pulses
- Supports shunts/current transformers for current sensors

Important Notice: The products and services of Texas Instruments Incorporated and its subsidiaries described herein are sold subject to TI's standard terms and conditions of sale. Customers are advised to obtain the most current and complete information about TI products and services before placing orders. TI assumes no liability for applications assistance, customer's applications or product designs, software performance, or infringement of patents. The publication of information regarding any other company's products or services does not constitute TI's approval, warranty or endorsement thereof.

B122010

The platform bar and MSP430 are trademarks of Texas Instruments. All other trademarks are the property of their respective owners.

IMPORTANT NOTICE AND DISCLAIMER

TI PROVIDES TECHNICAL AND RELIABILITY DATA (INCLUDING DATA SHEETS), DESIGN RESOURCES (INCLUDING REFERENCE DESIGNS), APPLICATION OR OTHER DESIGN ADVICE, WEB TOOLS, SAFETY INFORMATION, AND OTHER RESOURCES "AS IS" AND WITH ALL FAULTS, AND DISCLAIMS ALL WARRANTIES, EXPRESS AND IMPLIED, INCLUDING WITHOUT LIMITATION ANY IMPLIED WARRANTIES OF MERCHANTABILITY, FITNESS FOR A PARTICULAR PURPOSE OR NON-INFRINGEMENT OF THIRD PARTY INTELLECTUAL PROPERTY RIGHTS.

These resources are intended for skilled developers designing with TI products. You are solely responsible for (1) selecting the appropriate TI products for your application, (2) designing, validating and testing your application, and (3) ensuring your application meets applicable standards, and any other safety, security, regulatory or other requirements.

These resources are subject to change without notice. TI grants you permission to use these resources only for development of an application that uses the TI products described in the resource. Other reproduction and display of these resources is prohibited. No license is granted to any other TI intellectual property right or to any third party intellectual property right. TI disclaims responsibility for, and you will fully indemnify TI and its representatives against, any claims, damages, costs, losses, and liabilities arising out of your use of these resources.

TI's products are provided subject to [TI's Terms of Sale](#) or other applicable terms available either on [ti.com](https://www.ti.com) or provided in conjunction with such TI products. TI's provision of these resources does not expand or otherwise alter TI's applicable warranties or warranty disclaimers for TI products.

TI objects to and rejects any additional or different terms you may have proposed.

Mailing Address: Texas Instruments, Post Office Box 655303, Dallas, Texas 75265
Copyright © 2024, Texas Instruments Incorporated