

AN-2235 Circuit Board Design for LMH6517/21/22 and Other High-Speed IF/RF Feedback Amplifiers

ABSTRACT

High-bandwidth, high-performance amplifiers require care in board layout techniques in order to ensure optimum performance. This paper will address the key components of PCB design for high-performance amplifiers, including the new LMH6521 and LMH6522 DVGAs.

Contents

1	General Description	1
2	Conclusion	5

List of Figures

1	Supply Bypass Capacitors - Double Vias Used for Lower Inductance.....	2
2	Illustration of Metal Removed From Beneath Amplifier Input and Output Pins	2
3	Filter Design	3
4	Amplifier With No Common Mode Load	3
5	Amplifier With Common Mode Load.....	4
6	Amplifier With High-Frequency Common Mode Load.....	4
7	CMRR of the LMH6522 DVGA	4
8	Filters With and Without Common Mode Termination	5
9	Filters With and Without Common Mode High-Frequency Bypassing	5

1 General Description

When designing a printed circuit board (PCB) there are a few key considerations. High-speed amplifiers require good power supply bypassing, low parasitic capacitance on the input and output pins, and good termination of the signal paths.

Providing power to a high-speed amplifier is difficult because the amplifier will draw both DC as well as AC power. The DC power is usually the easiest. The LMH6522, for example, contains four amplifiers and requires only 370 mA of current at a nominal 5 V. The LMH6522 has a bandwidth of 1.4GHz. This means that the power supplies must be low impedance not only at DC, but also at 1.4GHz. This condition requires some special care. When selecting power supply bypass capacitors, the capacitors should offer a low impedance up to the amplifier 3dB bandwidth. That means that they should have a low series resistance and low parasitic inductance. The power supply bypass capacitors should be located within 4 mm of the amplifier supply pins, and any vias used to connect the capacitors to the power supply or ground planes should be designed for low inductance. Using multiple vias can help reduce via inductance.

An example of supply bypass capacitor layout is shown in [Figure 1](#). There are a few things to note in the figure. One is that there are two capacitors used in parallel. For a given capacitor, using devices in parallel reduces the equivalent series resistance (ESR) as well as the parasitic inductance. This can offer a significantly higher series resonant frequency (SRF) than could be achieved by one capacitor. Another common technique with parallel capacitors is to use different value capacitors in order to stagger the resonant frequency of the capacitors over a larger frequency range. It is common practice to use values a decade apart, such as 0.1 μ F and 0.01 μ F.

All trademarks are the property of their respective owners.

While they are fairly new to the market, at least one company is now offering capacitors with reversed aspect ratios. The conductive contacts are placed on the long edge of the capacitor to provide lower parasitic resistance and inductance. The author has not yet tested this new capacitor configuration, but the datasheet specifications look very good.

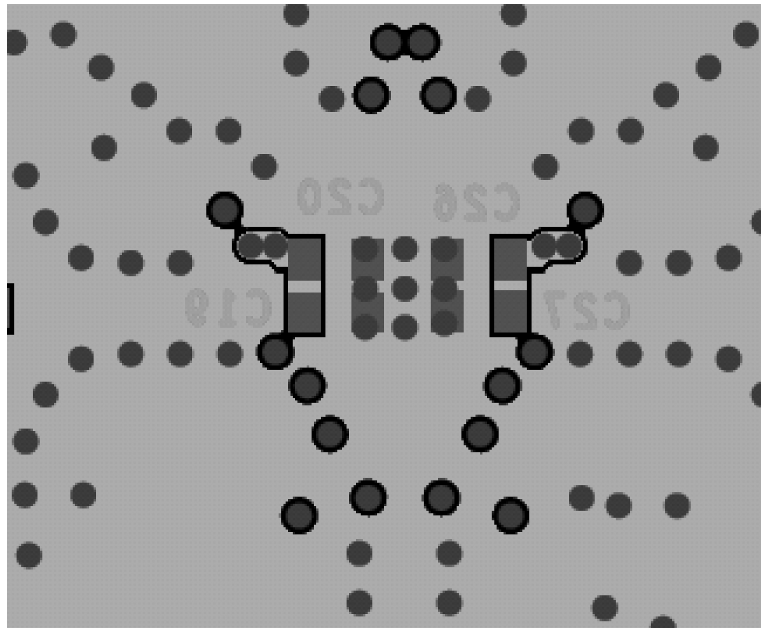


Figure 1. Supply Bypass Capacitors - Double Vias Used for Lower Inductance

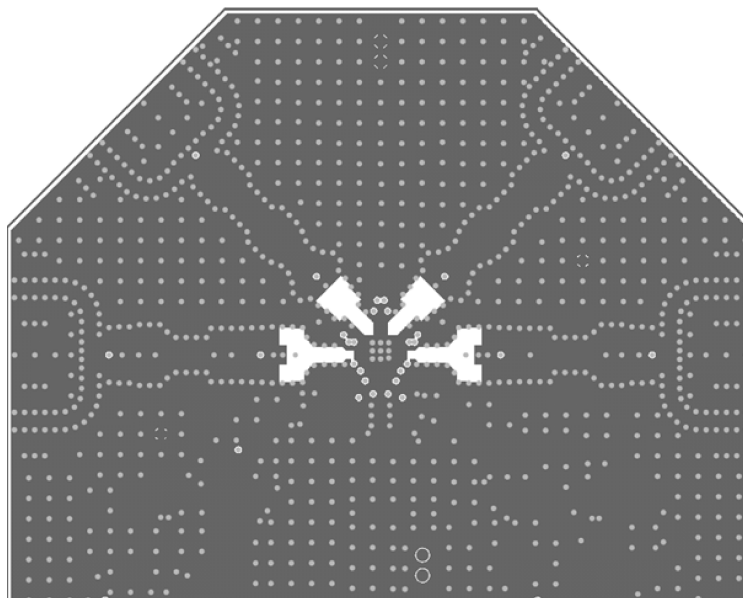


Figure 2. Illustration of Metal Removed From Beneath Amplifier Input and Output Pins

While capacitance to ground is desirable for power supply pins, the output pins of high-speed amplifiers are very sensitive to capacitive loading. With high-impedance amplifiers output capacitance will cause a dramatic loss of bandwidth. With low-impedance feedback amplifiers, capacitive loading will cause a loss of phase margin and can cause gain peaking or instability. One way to reduce capacitive loading on the amplifier output pins is to remove portions of any metal layers beneath the pins. This is shown in [Figure 2](#).

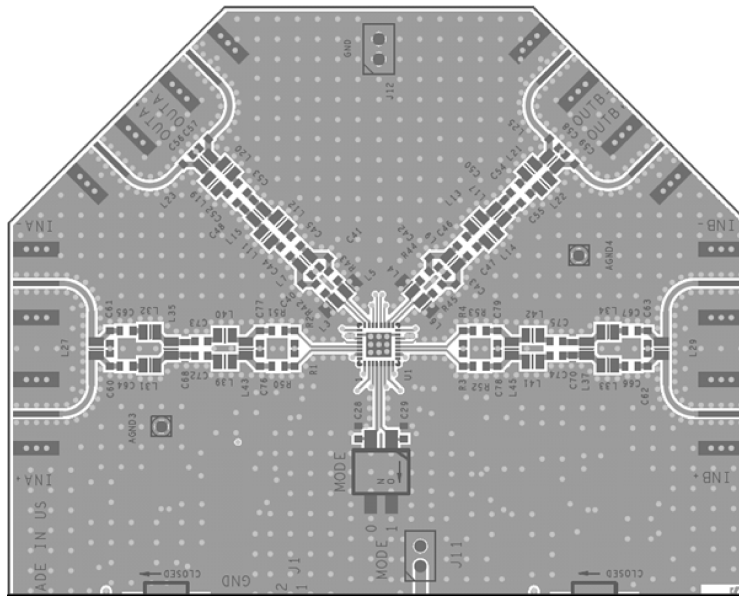


Figure 3. Filter Design

One very important, but often overlooked, consideration for board layout is proper loading and termination of the signal path. This is especially important when only a small amount of the amplifier bandwidth is being used. For instance, the example shown in Figure 3 is designed for a 100 MHz-wide filter centered at 250 MHz. The differential filters provide fifth order selectivity and are designed for 100 Ω differential impedance. While the filters are impedance matched at 250 MHz, the LMH6521 amplifier has a bandwidth of 1.2 GHz. The filters will present reactive load conditions outside of the filter pass-band. At higher frequencies the filter reactance, as well as any transmission line impedance transformation, should be considered. For instance, if a filter is designed to present a short circuit at very high frequencies, a one quarter wavelength of transmission line can transform this into an open circuit at the amplifier input. At 1GHz approximately 4cm of trace on an FR4 substrate equals one quarter wavelength.

With low-impedance output amplifiers like the LMH6517/21/22 the output pins normally require resistors to match the impedance of following stages. Just as with power supply bypass capacitors, it is important to keep the termination resistors close to the DVGA output pins.

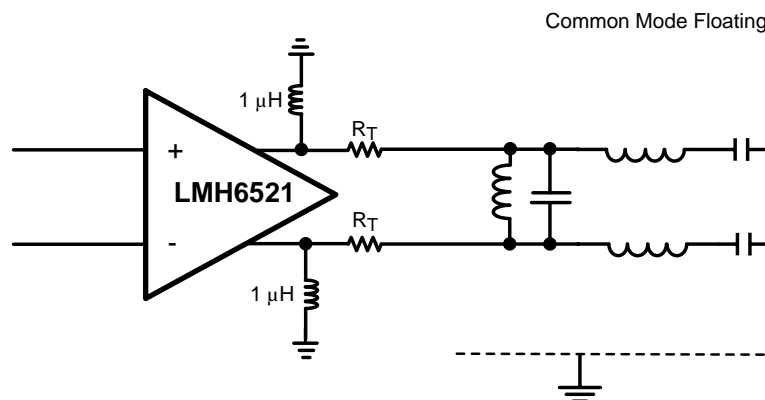


Figure 4. Amplifier With No Common Mode Load

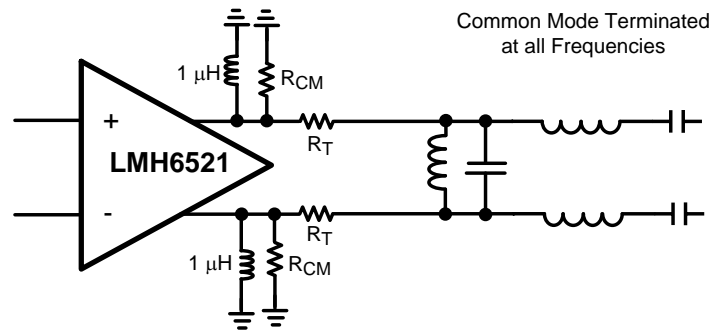


Figure 5. Amplifier With Common Mode Load

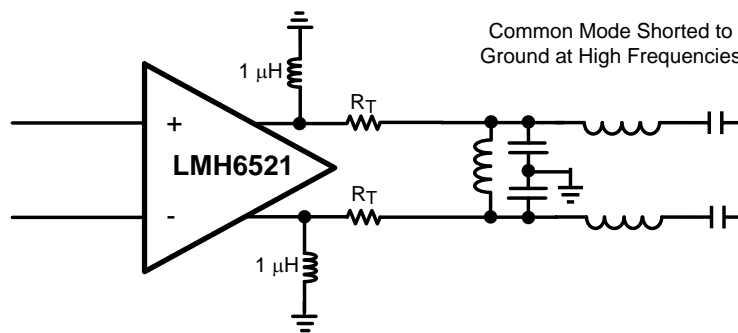


Figure 6. Amplifier With High-Frequency Common Mode Load

Differential signal paths are chosen due to their immunity to many forms of noise. This is because most distant noise sources will couple into a differential signal path as common-mode noise rather than differential noise. In theory, common-mode noise on a differential signal path is of little concern since many elements in the signal path will “reject” the common-mode noise. This is correct in many cases. However, care must still be taken to keep the signal free from excessive noise. One reason is that at very high frequencies many active elements do not have very good common-mode rejection (CMRR). Baluns are one circuit element that have poor CMRR at very high frequencies. Many amplifiers also have trouble suppressing common-mode noise at very high frequencies. Many high-speed analog-to-digital converters (ADC) do not even specify CMRR at all.

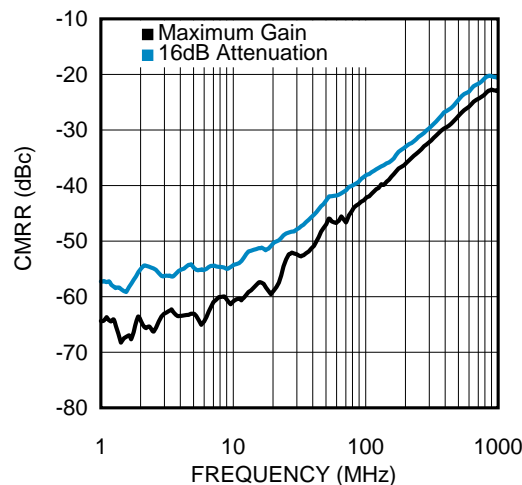


Figure 7. CMRR of the LMH6522 DVGA

As shown in Figure 7 the LMH6522 DVGA has excellent CMRR at modest frequencies, but as frequencies increase, the CMRR gets worse. Fortunately, the board layout can help here as well. As shown in the design of the filter. Creative use of the filter elements and the termination resistors can help reduce common mode noise with very small changes in component configurations. Using capacitors to ground or providing resistive termination to ground directs the common-mode energy to ground instead of conducting it to the next circuit element.

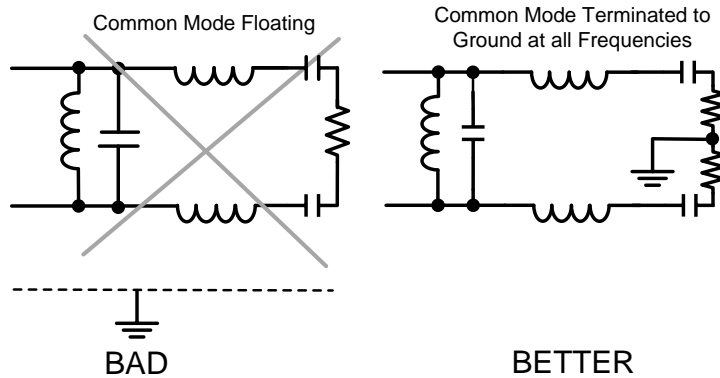


Figure 8. Filters With and Without Common Mode Termination

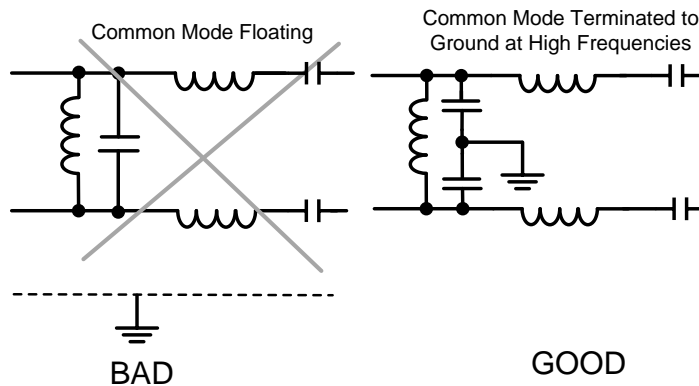


Figure 9. Filters With and Without Common Mode High-Frequency Bypassing

2 Conclusion

High-performance circuit elements require support from a carefully planned printed circuit-board layout. By following the following key guidelines, high-speed, high-performance circuits will perform to their highest potential.

- Place bypass capacitors close to supply pins
- Locate termination resistors close to output pins
- Remove metal from beneath input and output pins
- Terminate transmission lines
- Keep filters close to the amplifier
- Provide both differential and common mode termination

IMPORTANT NOTICE

Texas Instruments Incorporated and its subsidiaries (TI) reserve the right to make corrections, enhancements, improvements and other changes to its semiconductor products and services per JESD46, latest issue, and to discontinue any product or service per JESD48, latest issue. Buyers should obtain the latest relevant information before placing orders and should verify that such information is current and complete. All semiconductor products (also referred to herein as "components") are sold subject to TI's terms and conditions of sale supplied at the time of order acknowledgment.

TI warrants performance of its components to the specifications applicable at the time of sale, in accordance with the warranty in TI's terms and conditions of sale of semiconductor products. Testing and other quality control techniques are used to the extent TI deems necessary to support this warranty. Except where mandated by applicable law, testing of all parameters of each component is not necessarily performed.

TI assumes no liability for applications assistance or the design of Buyers' products. Buyers are responsible for their products and applications using TI components. To minimize the risks associated with Buyers' products and applications, Buyers should provide adequate design and operating safeguards.

TI does not warrant or represent that any license, either express or implied, is granted under any patent right, copyright, mask work right, or other intellectual property right relating to any combination, machine, or process in which TI components or services are used. Information published by TI regarding third-party products or services does not constitute a license to use such products or services or a warranty or endorsement thereof. Use of such information may require a license from a third party under the patents or other intellectual property of the third party, or a license from TI under the patents or other intellectual property of TI.

Reproduction of significant portions of TI information in TI data books or data sheets is permissible only if reproduction is without alteration and is accompanied by all associated warranties, conditions, limitations, and notices. TI is not responsible or liable for such altered documentation. Information of third parties may be subject to additional restrictions.

Resale of TI components or services with statements different from or beyond the parameters stated by TI for that component or service voids all express and any implied warranties for the associated TI component or service and is an unfair and deceptive business practice. TI is not responsible or liable for any such statements.

Buyer acknowledges and agrees that it is solely responsible for compliance with all legal, regulatory and safety-related requirements concerning its products, and any use of TI components in its applications, notwithstanding any applications-related information or support that may be provided by TI. Buyer represents and agrees that it has all the necessary expertise to create and implement safeguards which anticipate dangerous consequences of failures, monitor failures and their consequences, lessen the likelihood of failures that might cause harm and take appropriate remedial actions. Buyer will fully indemnify TI and its representatives against any damages arising out of the use of any TI components in safety-critical applications.

In some cases, TI components may be promoted specifically to facilitate safety-related applications. With such components, TI's goal is to help enable customers to design and create their own end-product solutions that meet applicable functional safety standards and requirements. Nonetheless, such components are subject to these terms.

No TI components are authorized for use in FDA Class III (or similar life-critical medical equipment) unless authorized officers of the parties have executed a special agreement specifically governing such use.

Only those TI components which TI has specifically designated as military grade or "enhanced plastic" are designed and intended for use in military/aerospace applications or environments. Buyer acknowledges and agrees that any military or aerospace use of TI components which have **not** been so designated is solely at the Buyer's risk, and that Buyer is solely responsible for compliance with all legal and regulatory requirements in connection with such use.

TI has specifically designated certain components as meeting ISO/TS16949 requirements, mainly for automotive use. In any case of use of non-designated products, TI will not be responsible for any failure to meet ISO/TS16949.

Products

Audio	www.ti.com/audio
Amplifiers	amplifier.ti.com
Data Converters	dataconverter.ti.com
DLP® Products	www.dlp.com
DSP	dsp.ti.com
Clocks and Timers	www.ti.com/clocks
Interface	interface.ti.com
Logic	logic.ti.com
Power Mgmt	power.ti.com
Microcontrollers	microcontroller.ti.com
RFID	www.ti-rfid.com
OMAP Applications Processors	www.ti.com/omap
Wireless Connectivity	www.ti.com/wirelessconnectivity

Applications

Automotive and Transportation	www.ti.com/automotive
Communications and Telecom	www.ti.com/communications
Computers and Peripherals	www.ti.com/computers
Consumer Electronics	www.ti.com/consumer-apps
Energy and Lighting	www.ti.com/energy
Industrial	www.ti.com/industrial
Medical	www.ti.com/medical
Security	www.ti.com/security
Space, Avionics and Defense	www.ti.com/space-avionics-defense
Video and Imaging	www.ti.com/video

TI E2E Community

e2e.ti.com