

TMS320C6472/TMS320TCI6486 DSP Ethernet Media Access Controller (EMAC)/ Management Data Input/Output (MDIO) Module

User's Guide



Literature Number: SPRUEF8F
March 2006–Revised November 2010

Preface	10
1 Introduction	11
1.1 Purpose of the Peripheral	11
1.2 Features	11
1.3 Functional Block Diagram	12
1.4 Industry Standard(s) Compliance Statement	14
2 EMAC Functional Architecture	15
2.1 Clock Control	15
2.2 Memory Map	16
2.3 System-Level Connections	17
2.4 Ethernet Protocol Overview	29
2.5 Programming Interface	31
2.6 Communications Port Programming Interface (CPPI)	40
2.7 Ethernet Multicore Interrupt Combiner (EMIC) Module	40
2.8 Management Data Input/Output (MDIO) Module	47
2.9 EMAC Module	52
2.10 Media Independent Interfaces	54
2.11 Packet Receive Operation	58
2.12 Packet Transmit Operation	62
2.13 Receive and Transmit Latency	63
2.14 Transfer Node Priority	63
2.15 Reset Considerations	64
2.16 Initialization	65
2.17 Interrupt Support	67
2.18 Power Management	69
2.19 Emulation Considerations	69
3 EMIC Module Registers	71
3.1 EW_INTCTL Registers	71
3.2 RPIC Registers	71
3.3 TPIC Registers	74
3.4 Prescalar Configuration Register (PSCFG)	75
4 MDIO Registers	76
4.1 Introduction	76
4.2 MDIO Version Register (VERSION)	77
4.3 MDIO Control Register (CONTROL)	78
4.4 PHY Acknowledge Status Register (ALIVE)	79
4.5 PHY Link Status Register (LINK)	80
4.6 MDIO Link Status Change Interrupt (Unmasked) Register (LINKINTRAW)	81
4.7 MDIO Link Status Change Interrupt (Masked) Register (LINKINTMASKED)	82
4.8 MDIO User Command Complete Interrupt (Unmasked) Register (USERINTRAW)	83
4.9 MDIO User Command Complete Interrupt (Masked) Register (USERINTMASKED)	84
4.10 MDIO User Command Complete Interrupt Mask Set Register (USERINTMASKSET)	85

4.11	MDIO User Command Complete Interrupt Mask Clear Register (USERINTMASKCLEAR)	86
4.12	MDIO User Access Register 0 (USERACCESS0)	87
4.13	MDIO User PHY Select Register 0 (USERPHYSEL0)	88
4.14	MDIO User Access Register 1 (USERACCESS1)	89
4.15	MDIO User PHY Select Register 1 (USERPHYSEL1)	90
5	EMAC Port Registers	91
5.1	Transmit Identification and Version Register (TXIDVER)	95
5.2	Transmit Control Register (TXCONTROL)	96
5.3	Transmit Teardown Register (TXTEARDOWN)	97
5.4	Receive Identification and Version Register (RXIDVER)	98
5.5	Receive Control Register (RXCONTROL)	99
5.6	Receive Teardown Register (RXTEARDOWN)	100
5.7	Transmit Interrupt Status (Unmasked) Register (TXINTSTATRAW)	101
5.8	Transmit Interrupt Status (Masked) Register (TXINTSTATMASKED)	102
5.9	Transmit Interrupt Mask Set Register (TXINTMASKSET)	103
5.10	Transmit Interrupt Mask Clear Register (TXINTMASKCLEAR)	104
5.11	MAC Input Vector Register (MACINVECTOR)	105
5.12	MAC End-of-Interrupt Vector Register (MACEOIVECTOR)	106
5.13	Receive Interrupt Status (Unmasked) Register (RXINTSTATRAW)	107
5.14	Receive Interrupt Status (Masked) Register (RXINTSTATMASKED)	108
5.15	Receive Interrupt Mask Set Register (RXINTMASKSET)	109
5.16	Receive Interrupt Mask Clear Register (RXINTMASKCLEAR)	110
5.17	MAC Interrupt Status (Unmasked) Register (MACINTSTATRAW)	111
5.18	MAC Interrupt Status (Masked) Register (MACINTSTATMASKED)	112
5.19	MAC Interrupt Mask Set Register (MACINTMASKSET)	113
5.20	MAC Interrupt Mask Clear Register (MACINTMASKCLEAR)	114
5.21	Receive Multicast/Broadcast/Promiscuous Channel Enable Register (RXMBPENABLE)	115
5.22	Receive Unicast Enable Set Register (RXUNICASTSET)	118
5.23	Receive Unicast Clear Register (RXUNICASTCLEAR)	119
5.24	Receive Maximum Length Register (RXMAXLEN)	120
5.25	Receive Buffer Offset Register (RXBUFFEROFFSET)	121
5.26	Receive Filter Low Priority Frame Threshold Register (RXFILTERLOWTHRESH)	122
5.27	Receive Channel 0-7 Flow Control Threshold Register (RXnFLOWTHRESH)	123
5.28	Receive Channel 0-7 Free Buffer Count Register (RXnFREEBUFFER)	124
5.29	MAC Control Register (MACCONTROL)	125
5.30	MAC Status Register (MACSTATUS)	127
5.31	Emulation Control Register (EMCONTROL)	129
5.32	FIFO Control Register (FIFOCONTROL)	130
5.33	MAC Configuration Register (MACCONFIG)	131
5.34	Soft Reset Register (SOFTRESET)	132
5.35	MAC Source Address Low Bytes Register (MACSRCADDRLO)	133
5.36	MAC Source Address High Bytes Register (MACSRCADDRHI)	134
5.37	MAC Hash Address Register 1 (MACHASH1)	135
5.38	MAC Hash Address Register 2 (MACHASH2)	136
5.39	Back Off Test Register (BOFFTEST)	137
5.40	Transmit Pacing Algorithm Test Register (TPACETEST)	138
5.41	Receive Pause Timer Register (RXPAUSE)	139
5.42	Transmit Pause Timer Register (TXPAUSE)	140

5.43	MAC Address Low Bytes Register (MACADDRLO)	141
5.44	MAC Address High Bytes Register (MACADDRHI)	142
5.45	MAC Index Register (MACINDEX)	143
5.46	Transmit Channel 0-7 DMA Head Descriptor Pointer Register (TXnHDP)	144
5.47	Receive Channel 0-7 DMA Head Descriptor Pointer Register (RXnHDP)	145
5.48	Transmit Channel 0-7 Completion Pointer Register (TXnCP)	146
5.49	Receive Channel 0-7 Completion Pointer Register (RXnCP)	147
5.50	Network Statistics Registers	148
Appendix A Glossary		157
Appendix B Revision History		159

List of Figures

1	EMAC and MDIO Block Diagram.....	12
2	Ethernet Configuration with MII Interface	18
3	Ethernet Configuration with RMII Interface	20
4	Ethernet Configuration with GMII Interface	21
5	Ethernet Configuration with RGMII Interface	23
6	Ethernet Configuration with S3MII Interface	25
7	S3MII Multi-PHY Configuration	27
8	S3MII Switch Configuration	28
9	Ethernet Frame	29
10	Basic Descriptor Format	31
11	Typical Descriptor Linked List.....	32
12	Transmit Descriptor Format	34
13	Receive Descriptor Format.....	37
14	EMIC Block Diagram.....	41
15	Pacing Block	42
16	TDSM State Transition Diagram.....	43
17	DSM State Transition Diagram	44
18	Transmit Pacer and Interrupt Combiner	45
19	Receive Pacer and Interrupt Combiner.....	46
20	Common Interrupt Combiner.....	47
21	MDIO Module Block Diagram	48
22	EMAC Module Block Diagram	52
23	EW_INTCTL Register.....	71
24	RPCFG Register.....	72
25	RPSTAT Register	73
26	TPCFG Register	74
27	TPSTAT Register	75
28	Prescalar Configuration Register (PSCFG)	75
29	MDIO Version Register (VERSION)	77
30	MDIO Control Register (CONTROL).....	78
31	PHY Acknowledge Status Register (ALIVE)	79
32	PHY Link Status Register (LINK).....	80
33	MDIO Link Status Change Interrupt (Unmasked) Register (LINKINTRAW)	81
34	MDIO Link Status Change Interrupt (Masked) Register (LINKINTMASKED)	82
35	MDIO User Command Complete Interrupt (Unmasked) Register (USERINTRAW)	83
36	MDIO User Command Complete Interrupt (Masked) Register (USERINTMASKED)	84
37	MDIO User Command Complete Interrupt Mask Set Register (USERINTMASKSET).....	85
38	MDIO User Command Complete Interrupt Mask Clear Register (USERINTMASKCLEAR)	86
39	MDIO User Access Register 0 (USERACCESS0)	87
40	MDIO User PHY Select Register 0 (USERPHYSEL0)	88
41	MDIO User Access Register 1 (USERACCESS1)	89
42	MDIO User PHY Select Register 1 (USERPHYSEL1)	90
43	Transmit Identification and Version Register (TXIDVER)	95
44	Transmit Control Register (TXCONTROL).....	96
45	Transmit Teardown Register (TXTEARDOWN)	97
46	Receive Identification and Version Register (RXIDVER).....	98
47	Receive Control Register (RXCONTROL)	99

48	Receive Teardown Register (RXTEARDOWN)	100
49	Transmit Interrupt Status (Unmasked) Register (TXINTSTATRAW).....	101
50	Transmit Interrupt Status (Masked) Register (TXINTSTATMASKED)	102
51	Transmit Interrupt Mask Set Register (TXINTMASKSET)	103
52	Transmit Interrupt Mask Clear Register (TXINTMASKCLEAR).....	104
53	MAC Input Vector Register (MACINVECTOR).....	105
54	MAC End-of-Interrupt Vector Register (MACEOIVECTOR)	106
55	Receive Interrupt Status (Unmasked) Register (RXINTSTATRAW)	107
56	Receive Interrupt Status (Masked) Register (RXINTSTATMASKED).....	108
57	Receive Interrupt Mask Set Register (RXINTMASKSET)	109
58	Receive Interrupt Mask Clear Register (RXINTMASKCLEAR)	110
59	MAC Interrupt Status (Unmasked) Register (MACINTSTATRAW).....	111
60	MAC Interrupt Status (Masked) Register (MACINTSTATMASKED)	112
61	MAC Interrupt Mask Set Register (MACINTMASKSET).....	113
62	MAC Interrupt Mask Clear Register (MACINTMASKCLEAR).....	114
63	Receive Multicast/Broadcast/Promiscuous Channel Enable Register (RXMBPENABLE)	115
64	Receive Unicast Enable Set Register (RXUNICASTSET).....	118
65	Receive Unicast Clear Register (RXUNICASTCLEAR).....	119
66	Receive Maximum Length Register (RXMAXLEN)	120
67	Receive Buffer Offset Register (RXBUFFEROFFSET)	121
68	Receive Filter Low Priority Frame Threshold Register (RXFILTERLOWTHRESH)	122
69	Receive Channel <i>n</i> Flow Control Threshold Register (RX <i>n</i> FLOWTHRESH)	123
70	Receive Channel <i>n</i> Free Buffer Count Register (RX <i>n</i> FREEBUFFER)	124
71	MAC Control Register (MACCONTROL)	125
72	MAC Status Register (MACSTATUS)	127
73	Emulation Control Register (EMCONTROL)	129
74	FIFO Control Register (FIFOCONTROL)	130
75	MAC Configuration Register (MACCONFIG).....	131
76	Soft Reset Register (SOFTRESET)	132
77	MAC Source Address Low Bytes Register (MACSRCADDRLO).....	133
78	MAC Source Address High Bytes Register (MACSRCADDRHI)	134
79	MAC Hash Address Register 1 (MACHASH1)	135
80	MAC Hash Address Register 2 (MACHASH2)	136
81	Back Off Test Register (BOFFTEST)	137
82	Transmit Pacing Algorithm Test Register (TPACETEST)	138
83	Receive Pause Timer Register (RXPAUSE)	139
84	Transmit Pause Timer Register (TXPAUSE).....	140
85	MAC Address Low Bytes Register (MACADDRLO).....	141
86	MAC Address High Bytes Register (MACADDRHI)	142
87	MAC Index Register (MACINDEX)	143
88	Transmit Channel <i>n</i> DMA Head Descriptor Pointer Register (TX <i>n</i> HDP)	144
89	Receive Channel <i>n</i> DMA Head Descriptor Pointer Register (RX <i>n</i> HDP).....	145
90	Transmit Channel <i>n</i> Completion Pointer Register (TX <i>n</i> CP)	146
91	Receive Channel <i>n</i> Completion Pointer Register (RX <i>n</i> CP)	147
92	Statistics Register	148

List of Tables

1	Serial Management Interface Pins	13
2	EMAC1_EN Pin Description	13
3	EMAC Clock Specifications	15
4	EMAC0 Interface Selection Pins	17
5	EMAC1 Interface Selection Pins	17
6	MACSEL0[2:0], MACSEL1[1:0], and EMAC1_EN Decoding	17
7	EMAC and MDIO Signals for MII Interface.....	19
8	EMAC and MDIO Signals for RMII Interface.....	20
9	EMAC and MDIO Signals for GMII Interface	22
10	EMAC and MDIO Signals for RGMII Interface	23
11	EMAC and MDIO Signals for S3MII Interface	26
12	Ethernet Frame Description	29
13	Basic Descriptors	31
14	Receive Frame Treatment Summary	61
15	Middle-of-Frame Overrun Treatment.....	62
16	Emulation Control	70
17	RPCFG Register Field Descriptions	72
18	RPSTAT Register Field Descriptions	73
19	TPCFG Register Field Descriptions.....	74
20	TPSTAT Register Field Descriptions	75
21	Management Data Input/Output (MDIO) Registers	76
22	MDIO Version Register (VERSION) Field Descriptions	77
23	MDIO Control Register (CONTROL) Field Descriptions	78
24	PHY Acknowledge Status Register (ALIVE) Field Descriptions.....	79
25	PHY Link Status Register (LINK) Field Descriptions	80
26	MDIO Link Status Change Interrupt (Unmasked) Register (LINKINTRAW) Field Descriptions.....	81
27	MDIO Link Status Change Interrupt (Masked) Register (LINKINTMASKED) Field Descriptions	82
28	MDIO User Command Complete Interrupt (Unmasked) Register (USERINTRAW) Field Descriptions.....	83
29	MDIO User Command Complete Interrupt (Masked) Register (USERINTMASKED) Field Descriptions	84
30	MDIO User Command Complete Interrupt Mask Set Register (USERINTMASKSET) Field Descriptions	85
31	MDIO User Command Complete Interrupt Mask Clear Register (USERINTMASKCLEAR) Field Descriptions	86
32	MDIO User Access Register 0 (USERACCESS0) Field Descriptions.....	87
33	MDIO User PHY Select Register 0 (USERPHYSEL0) Field Descriptions	88
34	MDIO User Access Register 1 (USERACCESS1) Field Descriptions.....	89
35	MDIO User PHY Select Register 1 (USERPHYSEL1) Field Descriptions	90
36	Ethernet Media Access Controller (EMAC) Registers	91
37	Transmit Identification and Version Register (TXIDVER) Field Descriptions.....	95
38	Transmit Control Register (TXCONTROL) Field Descriptions.....	96
39	Transmit Teardown Register (TXTEARDOWN) Field Descriptions.....	97
40	Receive Identification and Version Register (RXIDVER) Field Descriptions	98
41	Receive Control Register (RXCONTROL) Field Descriptions	99
42	Receive Teardown Register (RXTEARDOWN) Field Descriptions.....	100
43	Transmit Interrupt Status (Unmasked) Register (TXINTSTATRAW) Field Descriptions	101
44	Transmit Interrupt Status (Masked) Register (TXINTSTATMASKED) Field Descriptions.....	102
45	Transmit Interrupt Mask Set Register (TXINTMASKSET) Field Descriptions.....	103
46	Transmit Interrupt Mask Clear Register (TXINTMASKCLEAR) Field Descriptions	104

47	MAC Input Vector Register (MACINVECTOR) Field Descriptions	105
48	MAC End-of-Interrupt Vector Register (MACEOIVECTOR) Field Descriptions.....	106
49	Receive Interrupt Status (Unmasked) Register (RXINTSTATRAW) Field Descriptions	107
50	Receive Interrupt Status (Masked) Register (RXINTSTATMASKED) Field Descriptions	108
51	Receive Interrupt Mask Set Register (RXINTMASKSET) Field Descriptions	109
52	Receive Interrupt Mask Clear Register (RXINTMASKCLEAR) Field Descriptions	110
53	MAC Interrupt Status (Unmasked) Register (MACINTSTATRAW) Field Descriptions	111
54	MAC Interrupt Status (Masked) Register (MACINTSTATMASKED) Field Descriptions.....	112
55	MAC Interrupt Mask Set Register (MACINTMASKSET) Field Descriptions	113
56	MAC Interrupt Mask Clear Register (MACINTMASKCLEAR) Field Descriptions	114
57	Receive Multicast/Broadcast/Promiscuous Channel Enable Register (RXMBPENABLE) Field Descriptions.....	115
58	Receive Unicast Enable Set Register (RXUNICASTSET) Field Descriptions	118
59	Receive Unicast Clear Register (RXUNICASTCLEAR) Field Descriptions	119
60	Receive Maximum Length Register (RXMAXLEN) Field Descriptions.....	120
61	Receive Buffer Offset Register (RXBUFFEROFFSET) Field Descriptions.....	121
62	Receive Filter Low Priority Frame Threshold Register (RXFILTERLOWTHRESH) Field Descriptions	122
63	Receive Channel <i>n</i> Flow Control Threshold Register (RX <i>n</i> FLOWTHRESH) Field Descriptions	123
64	Receive Channel <i>n</i> Free Buffer Count Register (RX <i>n</i> FREEBUFFER) Field Descriptions	124
65	MAC Control Register (MACCONTROL) Field Descriptions	125
66	MAC Status Register (MACSTATUS) Field Descriptions.....	127
67	Emulation Control Register (EMCONTROL) Field Descriptions	129
68	FIFO Control Register (FIFOCONTROL) Field Descriptions.....	130
69	MAC Configuration Register (MACCONFIG) Field Descriptions	131
70	Soft Reset Register (SOFTRESET) Field Descriptions	132
71	MAC Source Address Low Bytes Register (MACSRCADDRLO) Field Descriptions	133
72	MAC Source Address High Bytes Register (MACSRCADDRHI) Field Descriptions.....	134
73	MAC Hash Address Register 1 (MACHASH1) Field Descriptions.....	135
74	MAC Hash Address Register 2 (MACHASH2) Field Descriptions.....	136
75	Back Off Test Register (BOFFTEST) Field Descriptions	137
76	Transmit Pacing Algorithm Test Register (TPACETEST) Field Descriptions	138
77	Receive Pause Timer Register (RXPAUSE) Field Descriptions	139
78	Transmit Pause Timer Register (TXPAUSE) Field Descriptions	140
79	MAC Address Low Bytes Register (MACADDRLO) Field Descriptions	141
80	MAC Address High Bytes Register (MACADDRHI) Field Descriptions.....	142
81	MAC Index Register (MACINDEX) Field Descriptions	143
82	Transmit Channel <i>n</i> DMA Head Descriptor Pointer Register (TX <i>n</i> HDP) Field Descriptions	144
83	Receive Channel <i>n</i> DMA Head Descriptor Pointer Register (RX <i>n</i> HDP) Field Descriptions	145
84	Transmit Channel <i>n</i> Completion Pointer Register (TX <i>n</i> CP) Field Descriptions.....	146
85	Receive Channel <i>n</i> Completion Pointer Register (RX <i>n</i> CP) Field Descriptions	147
86	Statistics Register Field Descriptions.....	148
87	EMAC/MDIO Revision History.....	159

Read This First

About This Manual

This document provides a functional description of the Ethernet Media Access Controller (EMAC) and Physical layer (PHY) device Management Data Input/Output (MDIO) module integrated with TMS320TCI6486/TMS320C6472 devices. Included are the features of the EMAC and MDIO modules, a discussion of their architecture and operation, how these modules connect to the outside world, and the registers descriptions for each module.

Notational Conventions

This document uses the following conventions.

- Hexadecimal numbers are shown with the suffix h. For example, the following number is 40 hexadecimal (decimal 64): 40h.
- Registers in this document are shown in figures and described in tables.
 - Each register figure shows a rectangle divided into fields that represent the fields of the register. Each field is labeled with its bit name, its beginning and ending bit numbers above, and its read/write properties below. A legend explains the notation used for the properties.
 - Reserved bits in a register figure designate a bit that is used for future device expansion.

Related Documentation From Texas Instruments

The following documents describe the C6000™ devices and related support tools. Copies of these documents are available on the Internet. *Tip:* Enter the literature number in the search box provided at www.ti.com.

[SPRU189](#) — *TMS320C6000 DSP CPU and Instruction Set Reference Guide*. Describes the CPU architecture, pipeline, instruction set, and interrupts for the TMS320C6000 digital signal processors (DSPs).

[SPRU198](#) — *TMS320C6000 Programmer's Guide*. Describes ways to optimize C and assembly code for the TMS320C6000™ DSPs and includes application program examples.

[SPRU301](#) — *TMS320C6000 Code Composer Studio Tutorial*. Introduces the Code Composer Studio™ integrated development environment and software tools.

[SPRU321](#) — *Code Composer Studio Application Programming Interface Reference Guide*. Describes the Code Composer Studio™ application programming interface (API), which allows you to program custom plug-ins for Code Composer.

[SPRU871](#) — *TMS320C64x+ Megamodule Reference Guide*. Describes the TMS320C64x+ digital signal processor (DSP) megamodule. Included is a discussion on the internal direct memory access (IDMA) controller, the interrupt controller, the power-down controller, memory protection, bandwidth management, and the memory and cache.

C6472/TCI6486 EMAC/MDIO

1 Introduction

This document provides a functional description of the Ethernet Media Access Controller (EMAC) and Physical layer (PHY) device Management Data Input/Output (MDIO) module integrated with TMS320TCI6486/TMS320C6472 devices. Included are the features of the EMAC and MDIO modules, a discussion of their architecture and operation, how these modules connect to the outside world, and the registers descriptions for each module.

The EMAC controls the flow of packet data from the processor to the PHY. The MDIO module controls PHY configuration and status monitoring.

Both the EMAC and the MDIO modules interface to the DSP through EMIC modules and CPPI buffer managers that allow efficient data transmission and reception. These two modules are considered integral to the EMAC/MDIO peripheral.

1.1 Purpose of the Peripheral

The EMAC module is used on TMS320TCI6486/TMS320C6472 devices to move data between the device and another host connected to the same network, in compliance with the Ethernet protocol.

1.2 Features

Two EMAC modules are integrated with the TCI6486/C6472 device. The basic feature set of the integrated EMAC modules is:

- Synchronous 10/100/1000-Mbps operation.
- Full duplex Gigabit operation (half duplex gigabit is not supported).
- Little endian and big endian support.
- Both EMAC modules support three types of interfaces to the physical layer device (PHY): reduced pin-count media independent interface (RMII), reduced pin-count gigabit media independent interface (RGMII), and source synchronous serial independent interface (S3MII).
- In addition to above four EMAC0 natively supports an additional two interfaces: standard media independent interface (MII) and standard gigabit media independent interface (GMII).
- EMAC acts as DMA master to either internal or external device memory space.
- Eight receive channels with VLAN tag discrimination for receive quality-of-service (QOS) support.
- Eight transmit channels with round-robin or fixed priority for transmit quality-of-service (QOS) support.
- Ether-stats and 802.3-stats statistics gathering.
- Transmit CRC generation selectable on a per-channel basis.
- Broadcast frames selection for reception on a single channel.
- Multicast frames selection for reception on a single channel.
- Promiscuous receive mode frames selection for reception on a single channel (all frames, all good frames, short frames, error frames).
- Hardware flow control.
- CPPI 3.0 compliant.
- TI adaptive performance optimization for improved half duplex performance.
- Ethernet Multicore Interrupt Combiner (EMIC) for EMAC and MDIO interrupts.
- Programmable interrupt logic permits the software driver to restrict the generation of back-to-back interrupts, thus, allowing more work to be performed in a single call to the interrupt service routine.

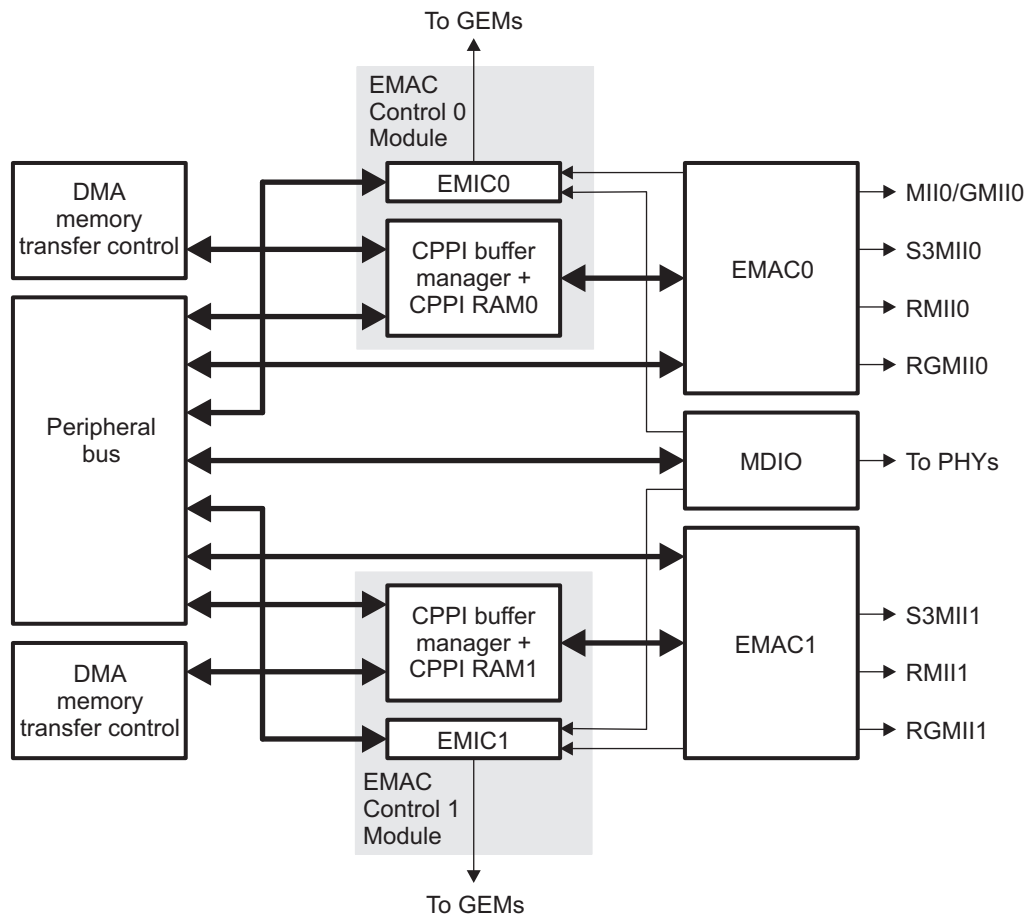
- Single MDIO, shared by both EMAC modules.

1.3 Functional Block Diagram

Figure 1 shows the functional block diagram of the EMAC peripherals used in the TCI6486/C6472 device. It consists mainly of:

- EMAC0
- EMAC1
- CPPI buffer manager per EMAC
- EMIC per EMAC
- MDIO

Figure 1. EMAC and MDIO Block Diagram



The EMAC module provides an efficient interface between the TCI6486/C6472 core processor and the networked community. The EMAC supports 10Base-T (10 Mbps/sec) and 100Base-TX (100 Mbps/sec) in either half- or full-duplex mode, and 1000Base-T (1000 Mbps/sec) in full-duplex mode, with hardware flow control and quality-of-service (QOS) support.

Each EMAC module has a communications port programming interface (CPPI) buffer manager to manage 8K of CPPI RAM. The EMAC uses four 32-bit words as buffer descriptors that point to different buffers in the DSP memory. The CPUs create and maintain these buffer descriptors. The EMAC reads from and writes to these buffer descriptors as it transfers data to or from the buffers.

The EMIC module associated with each EMAC takes a single set of interrupts from respective EMAC and common MDIO and creates six different sets of TX, RX, and common interrupts to six cores of the TCI6486/C6472 device. In addition, this module implements the interrupt pacing operation.

The control registers of the EMAC and MDIO modules are memory mapped into device memory space via the device configuration bus.

The MDIO module implements the 802.3 serial management interface to interrogate and control up to 32 Ethernet PHYs connected to the device, using a shared two-wire bus. Application software uses the MDIO module to configure the auto-negotiation parameters of each PHY attached to the EMAC, retrieve the negotiation results, and configure required parameters in the EMAC module for correct operation. The module is designed to allow almost transparent operation of the MDIO interface, with very little maintenance from the core processor. A single MDIO is shared by both EMACs.

MACSEL0[2:0] and MACSEL1[1:0] are device configuration pins used to select the MII interface for EMAC0 and EMAC1, respectively.

The MDIO communicates to PHY through two signals: MDCLK (output clock) and MDIO (bi-directional data). For details of MDIO operation and signals, see [Section 2.8](#). The device has two serial management interfaces, although only one is used based on the interface selection of EMAC0. [Table 1](#) shows the two sets of pins associated with serial management interface. One serial management interface is for RGMII (needed at 1.8-V HSTL buffer) and the other serial management interface is for non-RGMII interfaces (needed at 3.3-V LVCMOS buffers).

Table 1. Serial Management Interface Pins

Signal	Description
GMDCLK	MII/GMII/RMII/S3MII management clock. Available on 3.3-V LVCMOS buffers.
GMDIO	MII/GMII/RMII/S3MII management data. Available on 3.3-V LVCMOS buffers.
RGMDCLK	RGMII management clock. Available on 1.8-V HSTL buffers.
RGMDIO	RGMII management data. Available on 1.8-V HSTL buffers.

As mentioned above, the management interface selection is based on the interface selection for EMAC0. If MACSEL0 is programmed to select RGMII0, the 1.8-V serial management interface is selected (RGMDIO, RGMDCLK), otherwise, the 3.3-V (GMDIO, GMDCLK) management interface is selected. Due to this programmed selection, in some cases level shifters may have to be used for the management interface. As an example, if the RGMII0 interface is selected for EMAC0 and the S3MII1 interface is selected for EMAC1, the 1.8-V serial management interface (RGMDCLK and RGMDIO) is used. Since S3MII PHY needs the 3.3-V management interface, level shifters have to be used to level translate these HSTL pins.

Also note that EMAC1 can be enabled or disabled using the EMAC1_EN internal pulldown pin that controls the I/O signals of EMAC1. The EMAC1_EN is also latched into the bit 12 of the DEVCTL register. [Table 2](#) describes the EMAC1_EN pin.

Table 2. EMAC1_EN Pin Description

Value	Description
0	EMAC1 is disabled or not used. Pulls on EMAC1 I/O are enabled (except RGMII pins) and the corresponding I/O buffers are powered down.

Table 2. EMAC1_EN Pin Description (continued)

Value	Description
1	EMAC1 is enabled and used. Pulls on EMAC1 I/O are disabled (except RGMII pins) and the corresponding I/O buffers are powered up except RGMII output-only pins.

NOTE: RGMII buffers are HSTL buffers with no internal pulls. RGMII output only pins will always be powered down even when the module is enabled.

EMAC1_EN is also software programmable through the DEVCTL register. A write to the DEVCTL register is key-protected by the DEVCTL_KEY register. For details of MACSEL0, MACSEL1, and EMAC1_EN decoding, see [Section 2.3](#).

1.4 Industry Standard(s) Compliance Statement

The EMAC peripheral conforms to the IEEE 802.3 standard, describing the *Carrier Sense Multiple Access with Collision Detection (CSMA/CD) Access Method and Physical Layer* specifications. ISO/IEC has also adopted the IEEE 802.3 standard and re-designated it as ISO/IEC 8802-3:2000(E).

In difference from this standard, the EMAC peripheral integrated with the TCI6486/C6472 device does not use the transmit coding error signal MTXER. Instead of driving the error pin when an underflow condition occurs on a transmitted frame, the EMAC intentionally generates an incorrect check sum by inverting the frame CRC so that the network detects the transmitted frame as an error.

2 EMAC Functional Architecture

This section discusses the architecture and basic function of the EMAC peripheral.

2.1 Clock Control

The frequencies for the transmit and receive clocks are fixed by the IEEE 802.3 specification, as shown below:

- 2.5 MHz at 10 Mbps
- 25 MHz at 100 Mbps
- 125 MHz at 1000 Mbps

All clock sources, with the exception of the EMAC peripheral bus clock, are sourced from the PLL2 controller. The PLL2 controller has 3 clocks for EMAC0: SYSCLK13, SYSCLK14, and SYSCLK15. For EMAC0 operation, the SYSCLK14 divider is programmable and other clocks are fixed. The PLL multiplier value of the PLL2 controller is also fixed. The PLL2 controller has 3 clocks for EMAC1: SYSCLK16, SYSCLK17, and SYSCLK18. These clocks should remain fixed.

Table 3. EMAC Clock Specifications

Clock	Divider	Frequency	Purpose
SYSCLK13	/2	250 MHz	Used for RGMII0 only
SYSCLK14	/10 or /4	50 or 125 MHz	50 MHz used for RGMII (default) 125 MHz used for GMII
SYSCLK15	/100	5 MHz	Used for RGMII0 only
SYSCLK16	/2	250 MHz	Used for RGMII1 only
SYSCLK17	/10	50 MHz	Used for RGMII1 (default)
SYSCLK18	/100	5 MHz	Used for RGMII1 only

2.1.1 MII Clocking

The MII interface is supported by EMAC0 only. When MACSEL0 is set to zero (000b), the transmit and receive clock sources are provided from an external PHY via the MTCLK and MRCLK pins. These clocks are inputs to the EMAC module and operate at 2.5 MHz in 10-Mbps mode and at 25 MHz in 100-MHz mode. The MII clocking interface is not used in 1000-Mbps mode. For timing purposes, data is transmitted and received with reference to MTCLK and MRCLK, respectively.

2.1.2 RMII Clocking

The RMII interface is selected when MACSEL0 is set to 1 (001b) or MACSEL1 is set to 3 (11b). RMII requires two clock sources, the peripheral bus clock and the reference clock (REF_CLK), input to the RMII gasket. A 50-MHz clock from device input pin REFCLKx is supplied to the REF_CLK input of the RMII gasket. The EMAC clocks the transmit and receive operations from the reference clock. The MTCLK and MRCLK device pins are not used for this interface. The RMII protocol turns one data phase of an MII transfer into two data phases at double the clock frequency. This is the driving factor for the 50-MHz reference clock. Data at the I/O pins are running at 5 MHz in 10-Mbps mode and at 50 MHz in 100-Mbps mode.

2.1.3 GMII Clocking

The GMII interface is available only on EMAC0 and requires two clock sources generated internally, the peripheral bus clock and the RFTCLK inputs to the EMAC module. SYSCLK14 is programmed to /4 for this interface to provide a 125-MHz clock to the RFTCLK input of EMAC. The GMII interface is selected by programming MACSEL0 to 2 (010b). Transmit and receive clock sources for 10/100-Mbps modes are provided from an external PHY via the MTCLK and MRCLK pins. For 1000-Mbps mode, the receive clock is provided by an external PHY via the MRCLK pin. For transmit in 1000-Mbps mode, the clock is sourced synchronous with the data, and is provided by the EMAC to be output on the GMTCLK pin.

For timing purposes, data in 10/100-Mbps mode is transmitted and received with reference to MTCLK and MRCLK, respectively. For 1000-Mbps mode, receive timing is the same, but transmit is relative to GMTCLK.

2.1.4 RGMII Clocking

The RGMII interface is selected by programming MACSEL0 to 3 (011b) and MACSEL1 to 2 (10b). RGMII requires 4 internally generated clocks; peripheral bus clock and three reference clocks. The EMAC drives the transmit clock, while an external PHY generates the receive clock. The reference clock drives the device pin that gives the 125-MHz clock to the PHY; this enables the PHY to generate the receive clock that is sent to EMAC.

The RGMII protocol takes a GMII data stream and turns it into an interface with half of the data bus width and sends the same amount of data with a reduced pinout. The RGMII protocol also allows for dynamic switching of the mode between 10/100/1000-Mbps modes. This negotiation data is embedded in the incoming data stream from the external PHY. For timing purposes, data is transmitted and received with respect to MTCLK and MRCLK, respectively.

The RGMII interface has separate I/O pins from the other EMAC pins because the interface voltage is different from the other interfaces.

2.1.5 S3MII Clocking

S3MII mode is selected by programming MACSEL0 to 5 (101b) and MACSEL1 to 1 (01b). The S3MII gasket needs a 125-MHz continuous clock (125_CLK) supplied by an external source. It also needs a peripheral bus clock as input. MTCLK and MRCLK are fixed at 125 MHz.

2.2 Memory Map

The EMAC includes an internal memory that holds information about the Ethernet packets that are received or transmitted. This internal RAM is 2K x 32 bits in size. The data can be written to and read from the EMAC internal memory via either the EMAC or the CPU. It stores buffer descriptors that are 4 words (16 bytes) deep. This 8K local memory holds enough information to transfer up to 512 Ethernet packets without CPU intervention.

The packet buffer descriptors can be put in internal processor memory (L2) on the TCI6486/C6472 device. There are some trade-offs in terms of cache performance and throughput when the descriptors are put in L2 versus when they are put in EMAC internal memory. The cache performance improves when the buffer descriptors are put in the internal memory. However, the EMAC throughput is better when the descriptors are put in the local EMAC RAM.

2.3 System-Level Connections

On the TCI6486/C6472 device, EMAC0 and EMAC1 support the following different types of interfaces to physical layer devices (PHYs) or switches. Each EMAC can be configured to only one interface at any given time. EMAC0 interface is selected by programming MACSEL0 [2:0] pins (see [Table 4](#)) and EMAC1 interface is selected by programming MACSEL1 [1:0] pins (see [Table 5](#)).

Table 4. EMAC0 Interface Selection Pins

MACSEL0 [2:0]	Interface
000	MII
001	RMII
010	GMII
011	RGMII
100	Not used
101	S3MII
110	Not used
111	Not used

Table 5. EMAC1 Interface Selection Pins

MACSEL1 [1:0]	Interface
00	Not used
01	S3MII
10	RGMII
11	RMII

[Table 6](#) explains the decoding of MACSEL0 [2:0], MACSEL1[1:0], and EMAC1_EN of the DEVCTL register.

Table 6. MACSEL0[2:0], MACSEL1[1:0], and EMAC1_EN Decoding

MACSEL02	MACSEL01	MACSEL00	MACSEL11	MACSEL10	EMAC_EN	EMAC0	EMAC1
0	0	0	X	X	0	MII	None
0	0	0	0	X	1	MII	None
0	0	0	1	0	1	MII	RGMII
0	1	0	X	X	0	GMII	None
0	1	0	0	X	1	GMII	None
0	1	0	1	0	1	GMII	RGMII
0	0	1	X	X	0	RMII	None
0	1	1	X	X	0	RGMII	None
1	0	0	X	X	0	None	None
1	0	1	X	X	0	S3MII	None
0	0	1	0	0	1	RMII	None
0	0	1	0	1	1	RMII	S3MII
0	0	1	1	0	1	RMII	RGMII
0	0	1	1	1	1	RMII	RMII
0	1	1	0	0	1	RGMII	None
0	1	1	0	1	1	RGMII	S3MII
0	1	1	1	0	1	RGMII	RGMII
0	1	1	1	1	1	RGMII	RMII
1	0	0	0	0	1	None	None
1	0	0	0	1	1	None	S3MII
1	0	0	1	0	1	None	RGMII

Table 6. MACSEL0[2:0], MACSEL1[1:0], and EMAC1_EN Decoding (continued)

MACSEL02	MACSEL01	MACSEL00	MACSEL11	MACSEL10	EMAC_EN	EMAC0	EMAC1
1	0	0	1	1	1	None	RMII
1	0	1	0	0	1	S3MII	None
1	0	1	0	1	1	S3MII	S3MII
1	0	1	1	0	1	S3MII	RGMII
1	0	1	1	1	1	S3MII	RMII
1	1	1	X	X	0	None	None
1	1	1	0	0	1	None	None
1	1	1	0	1	1	None	S3MII
1	1	1	1	0	1	None	RGMII
1	1	1	1	1	1	None	RMII

2.3.1 Media Independent Interface (MII) Connections

Figure 2 shows a TCI6486/C6472 device with integrated EMAC and MDIO interfaced to the PHY via an MII connection. This interface is only available in 10 Mbps and 100 Mbps modes.

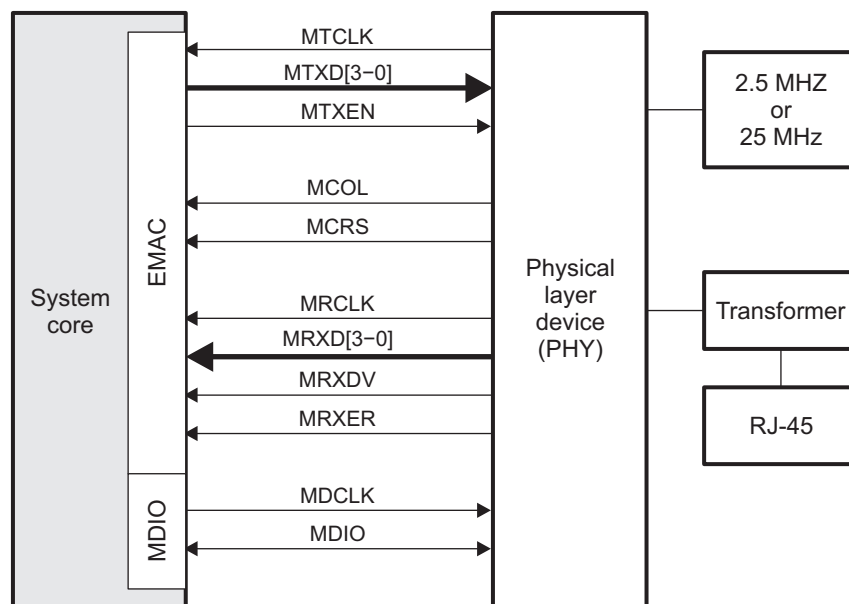
Figure 2. Ethernet Configuration with MII Interface


Table 7 summarizes the individual EMAC and MDIO signals for the MII interface. For more information, refer to either the IEEE 802.3 standard or ISO/IEC 8802-3:2000(E).

The EMAC module does not include a transmit error (MTXER) pin. If a transmit error occurs, CRC inversion is used to negate the validity of the transmitted frame.

Table 7. EMAC and MDIO Signals for MII Interface

Signal Name	I/O	Description
MTCLK	I	Transmit clock (MTCLK). The transmit clock is a continuous clock that provides the timing reference for transmit operations. The MTXD and MTXEN signals are tied to this clock. The clock is generated by the PHY and is 2.5 MHz at 10-Mbps operation and 25 MHz at 100-Mbps operation.
MTXD[3:0]	O	Transmit data (MTXD). The transmit data pins are a collection of 4 data signals comprising 4 bits of data. MTDX0 is the least-significant bit (LSB). The signals are synchronized by MTCLK and valid only when MTXEN is asserted.
MTXEN	O	Transmit enable (MTXEN). The transmit enable signal indicates that the MTXD pins are generating nibble data for use by the PHY. It is driven synchronously to MTCLK.
MCOL	I	Collision detected (MCOL). The MCOL pin is asserted by the PHY when it detects a collision on the network. It remains asserted while the collision condition persists. This signal is not necessarily synchronous to MTCLK nor MRCLK. This pin is used in half-duplex operation only.
MCRS	I	Carrier sense (MCRS). The MCRS pin is asserted by the PHY when the network is not idle in either transmit or receive. The pin is de-asserted when both transmit and receive are idle. This signal is not necessarily synchronous to MTCLK or MRCLK. This pin is used in half-duplex operation only.
MRCLK	I	Receive clock (MRCLK). The receive clock is a continuous clock that provides the timing reference for receive operations. The MRXD, MRXDV, and MRXER signals are tied to this clock. The clock is generated by the PHY and is 2.5 MHz at 10-Mbps operation and 25 MHz at 100-Mbps operation.
MRXD[3:0]	I	Receive data (MRXD). The receive data pins are a collection of 4 data signals comprising 4 bits of data. MRDX0 is the least-significant bit (LSB). The signals are synchronized by MRCLK and valid only when MRXDV is asserted.
MRXDV	I	Receive data valid (MRXDV). The receive data valid signal indicates that the MRXD pins are generating nibble data for use by the EMAC. It is driven synchronously to MRCLK.
MRXER	I	Receive error (MRXER). The receive error signal is asserted for one or more MRCLK periods to indicate that an error was detected in the received frame. This is meaningful only during data reception when MRXDV is active.
MDCLK	O	Management data clock (MDCLK). The MDIO data clock is sourced by the MDIO module on the system. It is used to synchronize MDIO data access operations done on the MDIO pin. The frequency of this clock is controlled by the CLKDIV bits in the MDIO control register (CONTROL).
MDIO	I/O	Management data input output (MDIO). The MDIO pin drives PHY management data into and out of the PHY by way of an access frame consisting of start of frame, read/write indication, PHY address, register address, and data bit cycles. The MDIO pin acts as an output for everything except the data bit cycles, when the pin acts as an input for read operations.

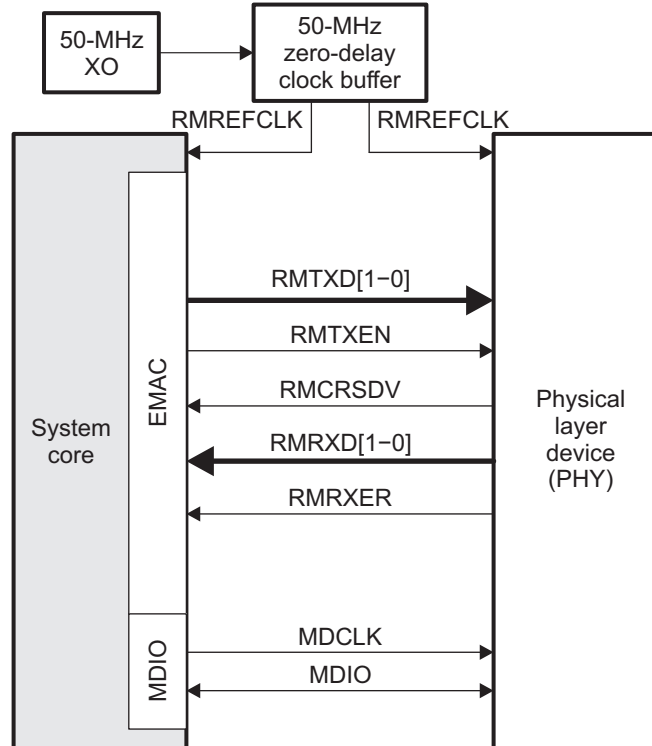
When the device is interfaced to an Ethernet switch via an MII interface, the carrier sense (MCRS) and collision (MCOL) signals are not necessary since full-duplex operation is forced.

On the TC16486/C6472 device, the MII Ethernet interface is available only on EMAC0. MII0 pins are multiplexed with other non-RGMII pins (RMII1, S3MII1). due to this multiplexing, when the MII0 interface is selected on EMAC0, except for RGMII1, no Ethernet interface is available on EMAC1.

2.3.2 Reduced Media Independent Interface (RMII) Connections

Figure 3 shows a TCI6486/C6472 device with integrated EMAC and MDIO interfaced to the PHY via an RMII connection. This interface is available only in 10-Mbps and 100-Mbps modes.

Figure 3. Ethernet Configuration with RMII Interface



The RMII interface has the same functionality as the MII, but it does so with a reduced number of pins, thus lowering the total cost for an application. In devices incorporating many PHY interfaces such as switches, the number of pins can add significant cost as the port counts increase. Table 8 summarizes the individual EMAC and MDIO signals for the RMII interface.

The RMII interface does not include an MCOL signal. A collision is detected from the receive and transmit data delimiters. The data signals are 2 bits wide, and a single reference clock must be provided to the MAC, operating at 50 MHz to sustain the same data rate as MII.

Table 8. EMAC and MDIO Signals for RMII Interface

Signal Name	I/O	Description
RMTXD[1-0]	O	Transmit data (RMTXD). The transmit data pins are a collection of 2 data signals comprising 2 bits of data. RMTDX0 is the least-significant bit (LSB). The signals are synchronized to the RMII reference clock and valid only when RMTXEN is asserted.
RMTXEN	O	Transmit enable (RMTXEN). The transmit enable signal indicates that the RMTXD pins are generating nibble data for use by the PHY. It is driven synchronously to the RMII reference clock.
RMCRSDV	I	Carrier sense/receive data valid (RMCRSDV). The RMCRSDV pin is asserted by the PHY when the network is not idle in either transmit or receive. The data on RMRXD is considered valid once the RMCRSDV signal is asserted. The pin is de-asserted when both transmit and receive are idle. The assertion of this signal is asynchronous to the RMII reference clock.
RMREFCLK	I	Reference clock (RMREFCLK). A 50-MHz clock must be provided through this pin for RMII operation.
RMRXD[1-0]	I	Receive data (RMRXD). The receive data pins are a collection of 2 data signals comprising 2 bits of data. RMRDX0 is the least-significant bit (LSB). The signals are synchronized to the RMII reference clock and valid only when RMCRSDV is asserted. In 10-Mbps operation, RMRXD is sampled every tenth cycle of the RMII reference clock.

Table 8. EMAC and MDIO Signals for RMI Interface (continued)

Signal Name	I/O	Description
RMRXER	I	Receive error (RMRXER). The receive error signal is asserted for one or more reference clock periods to indicate that an error was detected in the received frame. This is meaningful only during data reception when RMCRSDV is active. It is driven synchronously to the RMI reference clock.
MDCLK	O	Management data clock (MDCLK). The MDIO data clock is sourced by the MDIO module on the system. It is used to synchronize MDIO data access operations done on the MDIO pin. The frequency of this clock is controlled by the CLKDIV bits in the MDIO control register (CONTROL).
MDIO	I/O	Management data input output (MDIO). The MDIO pin drives PHY management data into and out of the PHY by way of an access frame consisting of start of frame, read/write indication, PHY address, register address, and data bit cycles. The MDIO pin acts as an output for everything except the data bit cycles, when the pin acts as an input for read operations.

The 50-MHz reference clock (RMREFCLK) for the RMI gasket is sourced externally through a zero-delay clock buffer. If multiple RMI PHY ports are used, all device RMI reference clocks must come from same zero-delay clock buffer.

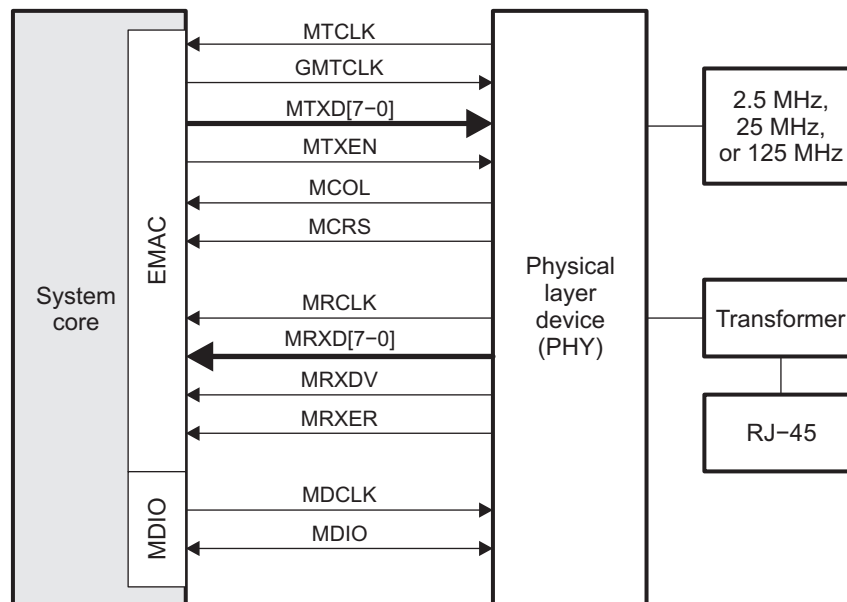
On the TCI6486/C6472 device, RMI pins are multiplexed with other non-RGMII pins. When using the RMI0 port on EMAC0, there are no restrictions on the available EMAC1 Ethernet interfaces (RMI1, S3MII1, and RGMII1 are useable). When using the RMI1 port on EMAC1, the EMAC0 Ethernet interfaces not available due to pin multiplexing are GMII0/MII0. The RMI0, S3MII0, and RGMII0 ports are available on EMAC0 Ethernet interfaces when using the RMI1 port on EMAC1.

If the device is interfaced to an Ethernet switch through the RMI interface, all device RMI reference clocks should be externally sourced from the same zero-delay clock buffer.

2.3.3 Gigabit Media Independent Interface (GMII) Connections

Figure 4 shows a device with integrated EMAC and MDIO interfaced to the PHY via a GMII connection. This interface is available in 10 Mbps, 100 Mbps, and 1000 Mbps modes.

Figure 4. Ethernet Configuration with GMII Interface



The GMII interface supports 10/100/1000 Mbps modes. Only full-duplex mode is available in 1000 Mbps mode. In 10/100 Mbps modes, the GMII interface acts like an MII interface, and only the lower 4 bits of data are transferred for each of the data buses.

Table 9 summarizes the individual EMAC and MDIO signals for the GMII interface.

Table 9. EMAC and MDIO Signals for GMII Interface

Signal Name	I/O	Description
MTCLK	I	Transmit clock (MTCLK). The transmit clock is a continuous clock that provides the timing reference for transmit operations in 10/100 Mbps mode. The MTXD and MTXEN signals are tied to this clock when in 10/100 Mbps mode. The clock is generated by the PHY and is 2.5 MHz at 10-Mbps operation, and 25 MHz at 100-Mbps operation.
GMTCLK	O	GMII source synchronous transmit clock (GMTCLK). This clock is used in 1000 Mbps mode only, providing a continuous 125 MHz frequency for transmit operations. The MTXD and MTXEN signals are tied to this clock when in Gigabit mode. The clock is generated by the EMAC and is 125 MHz.
MTXD[7-0]	O	Transmit data (MTXD). The transmit data pins are a collection of 8 data signals comprising 8 bits of data. MTDX0 is the least-significant bit (LSB). The signals are synchronized by MTCLK in 10/100 Mbps mode, and by GMTCLK in Gigabit mode, and valid only when MTXEN is asserted.
MTXEN	O	Transmit enable (MTXEN). The transmit enable signal indicates that the MTXD pins are generating nibble data for use by the PHY. It is driven synchronously to MTCLK in 10/100 Mbps mode, and to GMTCLK in Gigabit mode.
MCOL	I	Collision detected (MCOL). The MCOL pin is asserted by the PHY when it detects a collision on the network. It remains asserted while the collision condition persists. This signal is not necessarily synchronous to MTCLK nor MRCLK. This pin is used in half-duplex operation only.
MCRS	I	Carrier sense (MCRS). The MCRS pin is asserted by the PHY when the network is not idle in either transmit or receive. The pin is de-asserted when both transmit and receive are idle. This signal is not necessarily synchronous to MTCLK nor MRCLK. This pin is used in half-duplex operation only.
MRCLK	I	Receive clock (MRCLK). The receive clock is a continuous clock that provides the timing reference for receive operations. The MRXD, MRXDV, and MRXER signals are tied to this clock. The clock is generated by the PHY and is 2.5 MHz at 10-Mbps operation, 25 MHz at 100-Mbps operation and 125 MHz at 1000-Mbps operation.
MRXD[7-0]	I	Receive data (MRXD). The receive data pins are a collection of 8 data signals comprising 8 bits of data. MRDX0 is the least-significant bit (LSB). The signals are synchronized by MRCLK and valid only when MRXDV is asserted.
MRXDV	I	Receive data valid (MRXDV). The receive data valid signal indicates that the MRXD pins are generating nibble data for use by the EMAC. It is driven synchronously to MRCLK.
MRXER	I	Receive error (MRXER). The receive error signal is asserted for one or more MRCLK periods to indicate that an error was detected in the received frame. This is meaningful only during data reception when MRXDV is active.
MDCLK	O	Management data clock (MDCLK). The MDIO data clock is sourced by the MDIO module on the system. It is used to synchronize MDIO data access operations done on the MDIO pin. The frequency of this clock is controlled by the CLKDIV bits in the MDIO control register (CONTROL).
MDIO	I/O	Management data input output (MDIO). The MDIO pin drives PHY management data into and out of the PHY by way of an access frame consisting of start of frame, read/write indication, PHY address, register address, and data bit cycles. The MDIO pin acts as an output for everything except the data bit cycles, when the pin acts as an input for read operations.

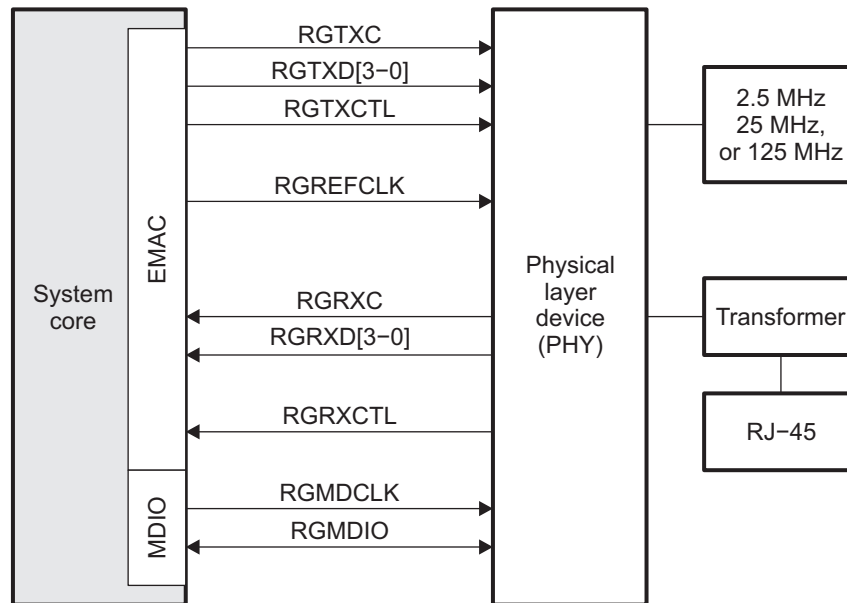
When the TCI6486/C6472 device is interfaced to an Ethernet switch via the GMII interface, the carrier sense (MCRS) and collision (MCOL) signals are not necessary since full-duplex operation is forced.

On the device, the GMII Ethernet interface is available only on EMAC0 of the device. GMII0 pins are multiplexed with other non-RGMII pins (RMII1, S3MII1). Due to this multiplexing, when the MII0 interface is selected on EMAC0, except for RGMII1, no Ethernet interface is available on EMAC1.

2.3.4 Reduced Gigabit Media Independent Interface (RGMII) Connections

Figure 5 shows a TCI6486/C6472 device with integrated EMAC and MDIO interfaced to the PHY via an RGMII connection. This interface is available in 10 Mbps, 100 Mbps, and 1000 Mbps modes.

Figure 5. Ethernet Configuration with RGMII Interface



The RGMII interface is a reduced pin alternative to the GMII interface. The data paths are reduced, control signals are multiplexed together, and both edges of the clock are used.

The RGMII interface does not include a MCOL and a MCRS signal for half-duplex mode (only available in 10/100 Mbps mode).

Carrier sense (MCRS) is indicated by one of the following cases instead:

- MRXDV signal (multiplexed in the RGRXCTL signal) is true
- MRXDV is false, MRXERR (multiplexed in the RGRXCTL signal) is true, and a value of FFh exists on the RGRXD[3:0] simultaneously

Table 10 summarizes the individual EMAC and MDIO signals for the RGMII interface.

Table 10. EMAC and MDIO Signals for RGMII Interface

Signal Name	I/O	Description
RGTXC	O	Transmit clock (RGTXC). The transmit clock is a continuous clock that provides the timing reference for transmit operations. The RGTXD and RGTXCTL signals are tied to this clock. The clock is driven by the EMAC and is 2.5 MHz at 10-Mbps operation, 25 MHz at 100-Mbps operation, and 125 MHz at 1000-Mbps operation.
RGTXD[3-0]	O	Transmit data (RGTXD). The transmit data pins are a collection of 4 data signals comprising 4 bits of data. RGTDX0 is the least-significant bit (LSB). The signals are synchronized by RGTXC and valid only when RGTXCTL is asserted. The lower 4 bits of data are transmitted on the rising edge of the clock, and the higher 4 bits of data are transmitted on the falling edge of the RGTXC.
RGTXCTL	O	Transmit enable (RGTXCTL). The transmit enable signal indicates that the RGTXD pins are generating nibble data for use by the PHY. It is driven synchronously to RGTXC.
RGREFCLK	O	Reference clock (RGREFCLK). This 125-MHz reference clock is provided as a convenience. It can be used as a clock source to the PHY, so that the PHY may generate the RGRXC clock to be sent to EMAC. This clock is stopped while the device is in reset.
RGRXC	I	Receive clock (RGRXC). The receive clock is a continuous clock that provides the timing reference for receive operations. The RGRXD, and RGRXCTL signals are tied to this clock. The clock is generated by the PHY and is 2.5 MHz at 10-Mbps operation, 25 MHz at 100-Mbps operation, and 125 MHz at 1000-Mbps operation.
RGRXD[3-0]	I	Receive data (RGRXD). The receive data pins are a collection of 4 data signals comprising 4 bits of data. RGRDX0 is the least-significant bit (LSB). The signals are synchronized by RGRXC and valid only when RGRXCTL is asserted. The lower 4 bits of data are received on the rising edge of the clock, and the higher 4 bits of data are received on the falling edge of the RGRXC.

Table 10. EMAC and MDIO Signals for RGMII Interface (continued)

Signal Name	I/O	Description
RGRXCTL	I	<p>Receive control (RGRXCTL). The receive control data has the receive data valid (MRXDV) signal on the rising edge of the receive clock, and a derivative of receive data valid and receive error (MRXER) on the falling edge of RGRXC.</p> <p>When receiving a valid frame with no errors, MRXDV = TRUE is generated as a logic high on the rising edge on RGRXC and MRXER = FALSE is generated as a logic high on the falling edge of RGRXC.</p> <p>When no frame is being received, MRXDV = FALSE is generated as a logic low on the rising edge of RGRXC and MRXER = FALSE is generated as a logic low on the falling edge of RGRXC.</p> <p>When receiving a valid frame with errors, MRXDV = TRUE is generated as a logic high on the rising edge of RGRXC and MRXER = TRUE is generated as a logic low on the falling edge of RGRXC.</p>
RGMDCLK	O	<p>Management data clock (RGMDCLK). The RGMDIO data clock is sourced by the MDIO module. It synchronizes MDIO data access operations done on the RGMDIO pin. The frequency of this clock is controlled by the CLKDIV bits in the MDIO control register (CONTROL).</p>
RGMDIO	I/O	<p>Management data input output (RGMDIO). The RGMDIO pin drives PHY management data into and out of the PHY by way of an access frame consisting of start of frame, read/write indication, PHY address, register address, and data bit cycles. The RGMDIO pin acts as an output for everything except the data bit cycles, when the pin acts as an input for read operations.</p>

RGMII pins are not multiplexed with other interfaces and are HSTL I/O having voltages different than other interfaces. (RGMII pins are 1.5-V/1.8-V HSTL I/O, whereas other interfaces are 3.3-V LVCMOS I/O). The unused pins of the RGMII PHY should be pulled down to avoid floating inputs.

2.3.5 Source Synchronous Serial Media Independent Interface (S3MII) Connections

Figure 6 shows a TCI6486/C6472 device with an integrated EMAC and MDIO interface via S3MII connections connected to a PHY. The S3MII interface supports source synchronous 10-Mbps and 100-Mbps operations with full- and half-duplex support.

Figure 6. Ethernet Configuration with S3MII Interface

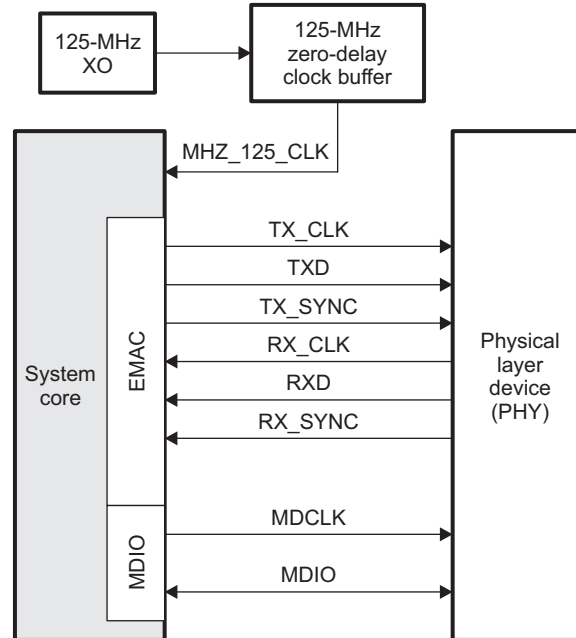


Table 11 summarizes the individual EMAC and MDIO signals for the S3MII interface.

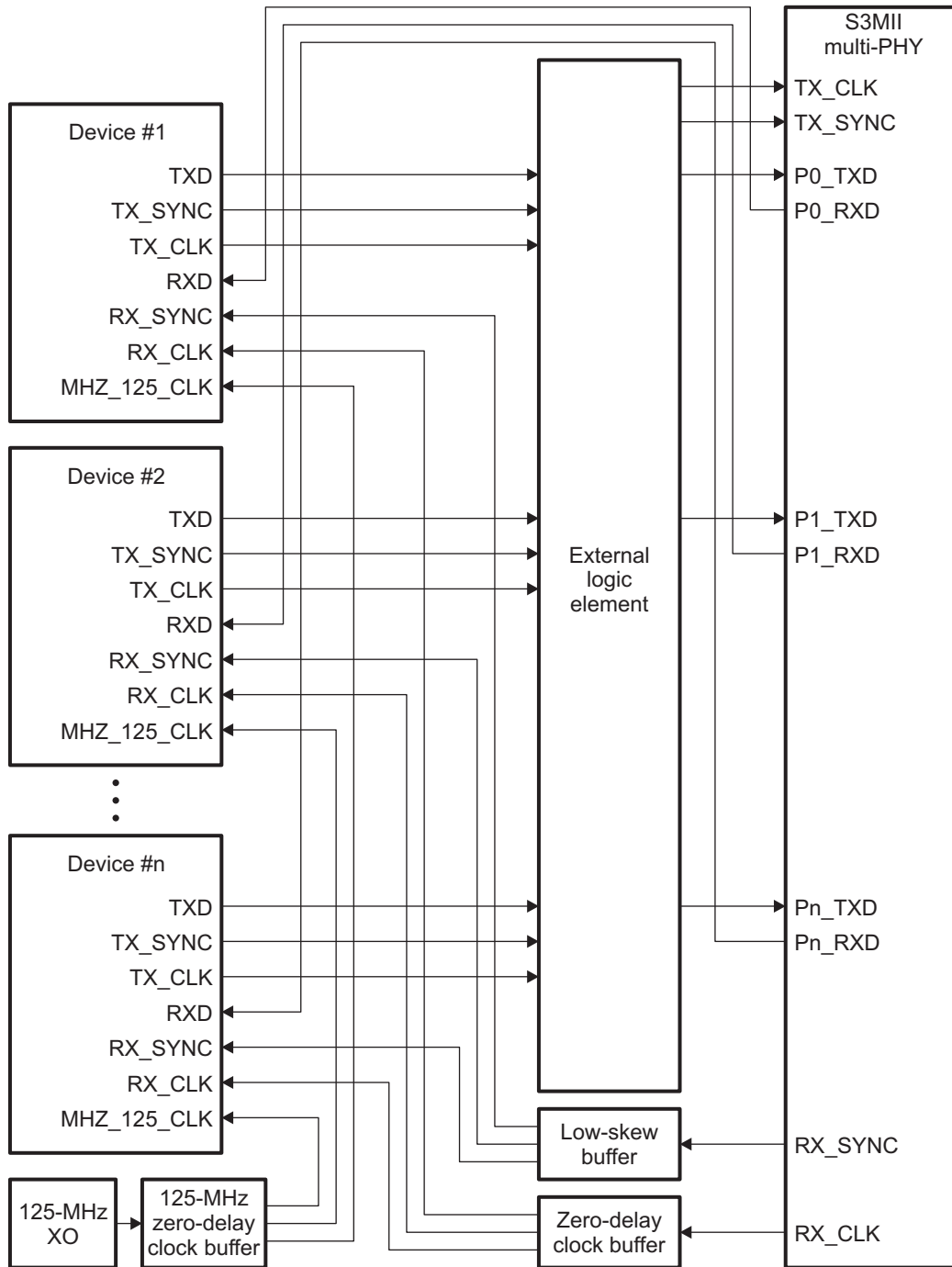
Table 11. EMAC and MDIO Signals for S3MII Interface

Signal Name	I/O	Description
TX_CLK	O	Transmit clock. The transmit clock is a continuous clock that provides the timing reference for transmit operations. The TXD and TX_SYNC signals are tied to this clock. This clock is 125 MHz at 10- and 100-Mbps operations.
TX_SYNC	O	Transmit Synchronization. The TX_SYNC signal is used to synchronize the TXD data signal. This signal is synchronized with a 125-MHz clock.
TXD	O	Transmit Data. The transmit data is synchronized with a transmit clock and a transmit synchronization signal.
RX_CLK	I	Transmit clock. The transmit clock is a continuous clock that provides the timing reference for transmit operations. The RXD and RX_SYNC signals are tied to this clock. This clock is 125 MHz at 10- and 100-Mbps operations.
RX_SYNC	I	Receive Synchronization. The RX_SYNC signal is used to synchronize the RXD data signal. This signal is synchronized with a 125-MHz clock.
RXD	I	Receive Data. The receive data is synchronized with a receive clock and a receive synchronization signal.
MDCLK	O	Management data clock (MDCLK). The MDIO data clock is sourced by the MDIO module. It synchronizes MDIO data access operations done on the MDIO pin. The frequency of this clock is controlled by the CLKDIV bits in the MDIO control register (CONTROL).
MDIO	I/O	Management data input output (MDIO). The MDIO pin drives PHY management data into and out of the PHY via an access frame consisting of start-of-frame, read/write indication, PHY address, register address, and data-bit cycles. The MDIO pin acts as an output for everything except the data-bit cycles, when the pin acts as an input for read operations.

The TCI6486/C6472 device S3MII pins are multiplexed with other non-RGMII pins. When using the S3MII0 port on EMAC0, there are no restrictions on the available EMAC1 Ethernet interfaces (RMII1, S3MII1, and RGMII1 are useable). When using the S3MII1 port on EMAC1, the EMAC0 Ethernet interfaces not available due to pin multiplexing are GMII0/MII0. The RMII0, S3MII0, and RGMII0 ports are available on EMAC0 Ethernet interfaces.

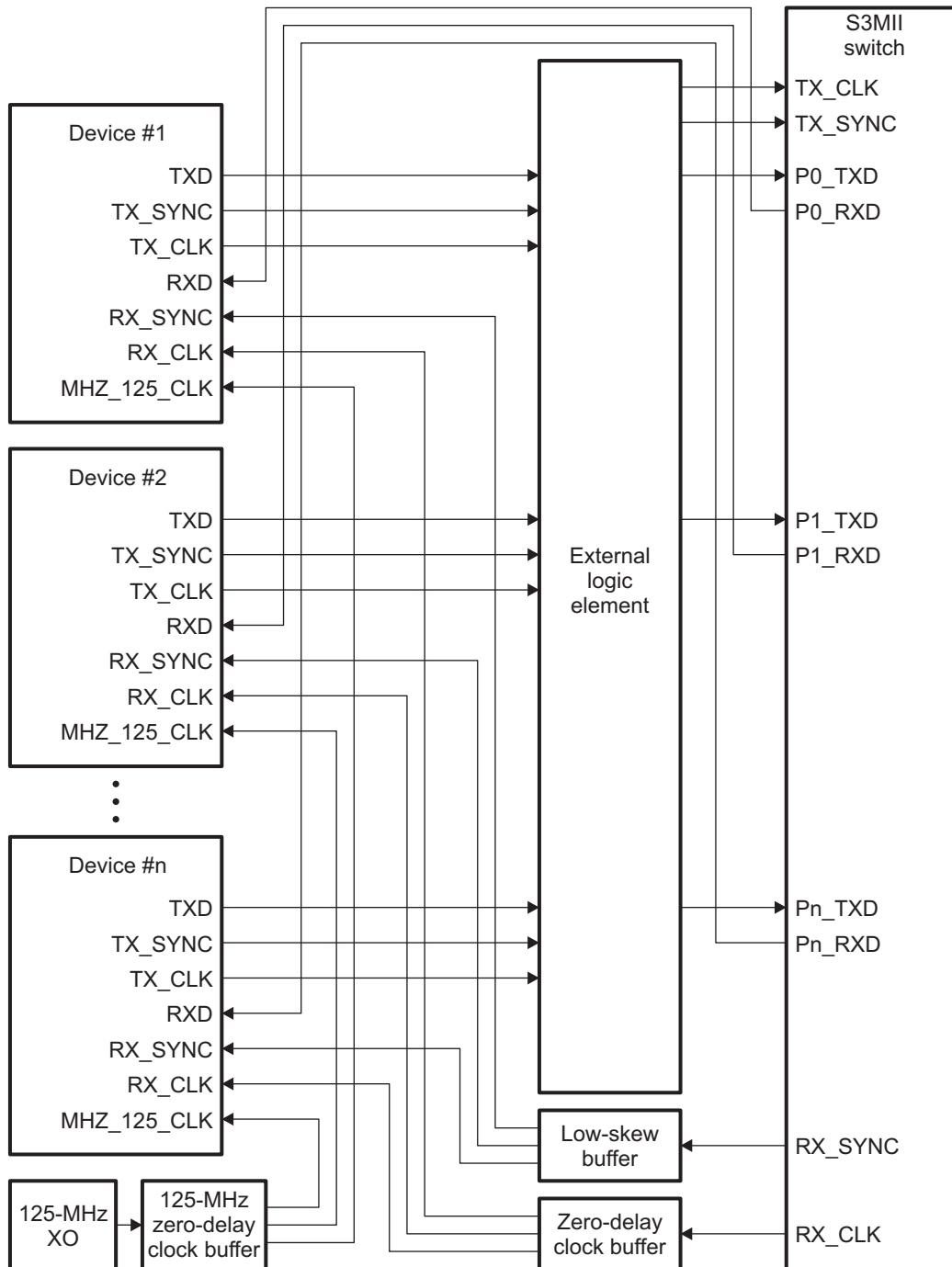
In a multi-PHY situation, where PHY has only one TX_SYNC for all ports, external logic is needed to synchronize the TX_SYNC signals from multiple ports or TCI6486/C6472 devices. The TXD signal from the multiple ports should also be synchronized using external logic since the clock-phase relation of different TCI6486/C6472 devices can be different. [Figure 7](#) demonstrates the example mutli-PHY configuration for S3MII.

Figure 7. S3MII Multi-PHY Configuration



In the case of the S3MII switch, where the switch has only one TX_SYNC for all ports, external logic is needed to synchronize the TX_SYNC signals from multiple ports or TCI6486/C6472 devices. The TXD signal from the multiple ports should also be synchronized using external logic since the clock-phase relation of different TCI6486/C6472 devices can be different. Figure 8 demonstrates the example multi-PHY configuration for S3MII.

Figure 8. S3MII Switch Configuration



2.4 Ethernet Protocol Overview

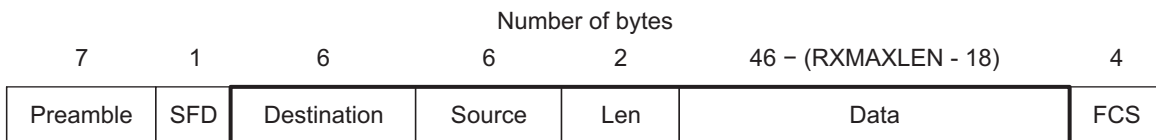
Ethernet provides a reliable, connectionless service to a networking application. A brief overview of the ethernet protocol follows. For more information on the carrier sense multiple access with collision detection (CSMA/CD) access method (ethernet's multiple access protocol), see the IEEE 802.3 standard document.

2.4.1 Ethernet Frame Format

All the ethernet technologies use the same frame structure. The format of an ethernet frame is shown in [Figure 9](#) and described in [Table 12](#). The ethernet packet is the collection of bytes representing the data portion of a single ethernet frame on the wire (shown outlined in bold in [Figure 9](#)).

The ethernet frames are of variable lengths, with no frame smaller than 64 bytes or larger than RXMAXLEN bytes (header, data, and CRC).

Figure 9. Ethernet Frame



Legend: SFD = Start Frame Delimiter; FCS = Frame Check Sequence (CRC)

Table 12. Ethernet Frame Description

Field	Bytes	Description
Preamble	7	These 7 bytes have a fixed value of 55h. They wake up the receiving EMAC ports and synchronize their clocks to that of the sender's clock.
Start-of-Frame Delimiter	1	This field with a value of 5Dh immediately follows the preamble pattern and indicates the start of important data.
Destination address	6	This field contains the Ethernet MAC address of the intended EMAC port for the frame. It may be an individual or multicast (including broadcast) address. If the destination EMAC port receives an Ethernet frame with a destination address that does not match any of its MAC physical addresses, and no promiscuous, multicast or broadcast channel is enabled, it discards the frame.
Source address	6	This field contains the MAC address of the Ethernet port that transmits the frame to the Local Area Network.
Len	2	The length field indicates the number of EMAC client data bytes contained in the subsequent data field of the frame. This field can also be used to identify the data type carried by the frame.
Data	46 to (RXMAXLEN - 18)	This field carries the datagram containing the upper layer protocol frame (the IP layer datagram). The maximum transfer unit (MTU) of Ethernet is (RXMAXLEN - 18) bytes. Therefore, if the upper layer protocol datagram exceeds (RXMAXLEN - 18) bytes, the host must fragment the datagram and send it in multiple Ethernet packets. The minimum size of the data field is 46 bytes. Thus, if the upper layer datagram is less than 46 bytes, the data field must be extended to 46 bytes by appending extra bits after the data field, but prior to calculating and appending the FCS.
Frame Check Sequence	4	A cyclic redundancy check (CRC) is used by the transmit and receive algorithms to generate a CRC value for the FCS field. The frame check sequence covers the 60 to (RXMAXLEN - 4) bytes of the packet data. Note that the 4-byte FCS field may not be included as part of the packet data, depending on the EMAC configuration.

2.4.2 Multiple Access Protocol

Nodes in an ethernet local area network are interconnected by a broadcast channel. As a result, when an EMAC port transmits a frame, all of the adapters on the local network receive the frame. Carrier sense multiple access with collision detection (CSMA/CD) algorithms are used when the EMAC operates in half-duplex mode. When operating in full-duplex mode, there is no contention for use of a shared medium, because there are exactly two ports on the local network.

Each port runs the CSMA/CD protocol without explicit coordination with the other ports on the ethernet network.

Within a specific port, the CSMA/CD protocol is as follows:

1. The port obtains data from upper layer protocols at its node, prepares an ethernet frame, and puts the frame in a buffer.
2. If the port senses that the medium is idle, it starts to transmit the frame. If the port senses that the transmission medium is busy, it waits until it senses no signal energy (plus an inter-packet gap time) and then starts to transmit the frame.
3. While transmitting, the port monitors for the presence of signal energy coming from other ports. If the port transmits the entire frame without detecting signal energy from other ethernet devices, the port is finished with the frame.
4. If the port detects signal energy from other ports while transmitting, it stops transmitting its frame and instead transmits a 48-bit jam signal.
5. After transmitting the jam signal, the port enters an exponential back off phase. Specifically, when transmitting a given frame, after experiencing a number of collisions in a row for the frame, the port chooses a random value that is dependent on the number of collisions. The port then waits an amount of time which is multiple of this random value, and returns to Step 1.

2.5 Programming Interface

2.5.1 Packet Buffer Descriptors

The buffer descriptor is a central part of the EMAC module. It determines how the application software describes ethernet packets to be sent and empty buffers to be filled with incoming packet data.

The basic descriptor format is shown in [Figure 10](#) and described in [Table 13](#).

Figure 10. Basic Descriptor Format

Word Offset	Bit Fields		
	31	16	15
0	Next Descriptor Pointer		
1	Buffer Pointer		
2	Buffer Offset	Buffer Length	
3	Flags	Packet Length	

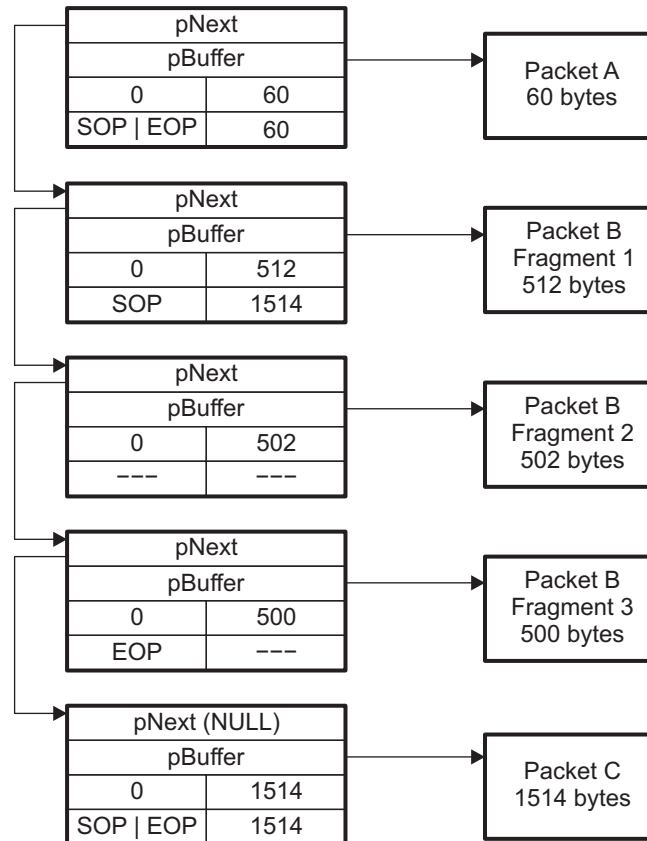
Table 13. Basic Descriptors

Word Offset	Field	Field Description
0	Next Descriptor Pointer	The next descriptor pointer creates a single linked list of descriptors. Each descriptor describes a packet or a packet fragment. When a descriptor points to a single buffer packet or the first fragment of a packet, the start-of-packet (SOP) flag is set in the flags field. When a descriptor points to a single buffer packet or the last fragment of a packet, the end-of-packet (EOP) flag is set. When a packet is fragmented, each fragment must have its own descriptor and appear sequentially in the descriptor linked list.
1	Buffer Pointer	The buffer pointer refers to the memory buffer that either contains packet data during transmit operations, or is an empty buffer ready to receive packet data during receive operations.
2	Buffer Offset	The buffer offset is the offset from the start of the packet buffer to the first byte of valid data. This field only has meaning when the buffer descriptor points to a buffer that contains data.
2	Buffer Length	The buffer length is the number of valid packet data bytes stored in the buffer. If the buffer is empty and waiting to receive data, this field represents the size of the empty buffer.
3	Flags	The flags field contains more information about the buffer, such as whether it is the first fragment in a packet (SOP), the last fragment in a packet (EOP), or contains an entire contiguous Ethernet packet (both SOP and EOP). Section 2.5.4 and Section 2.5.5 describe the flags.
3	Packet Length	The packet length only has meaning for buffers that both contain data and are the start of a new packet (SOP). For SOP descriptors, the packet length field contains the length of the entire Ethernet packet, even if it is contained in a single buffer or fragmented over several buffers.

For example, consider three packets to be transmitted, Packet A is a single fragment (60 bytes), Packet B is fragmented over three buffers (1514 bytes total), and Packet C is a single fragment (1514 bytes).

Figure 11 shows the linked list of descriptors to describe these three packets.

Figure 11. Typical Descriptor Linked List



2.5.2 Transmit and Receive Descriptor Queues

The EMAC module processes descriptors in linked list chains (Section 2.5.1). The lists controlled by the EMAC are maintained by the application software through the head descriptor pointer (HDP) registers. Since the EMAC supports eight channels for both transmit and receive, there are eight head descriptor pointer registers for both.

They are designated as follows:

- TX n HDP: Transmit Channel n DMA Head Descriptor Pointer Register
- RX n HDP: Receive Channel n DMA Head Descriptor Pointer Register

After an EMAC reset, and before enabling the EMAC for send or receive, you must initialize all 16 head descriptor pointer registers to zero.

The EMAC uses a simple system to determine ownership of a descriptor (either the EMAC or the application software). There is a flag in the descriptor flags field called OWNER. When this flag is set, the EMAC owns the referenced packet.

NOTE: Ownership is assigned on a packet-based granularity, not on descriptor granularity. Thus, only SOP descriptors use the OWNER flag. The EMAC patches the SOP descriptor of the corresponding packet and clears the OWNER flag as packets are processed. This means that the EMAC is finished processing all descriptors up to and including the first with the EOP flag set. This indicates that you have reached the end of the packet. This may only be one descriptor with both the SOP and EOP flags set.

To add a descriptor or a linked list of descriptors to an EMAC descriptor queue for the first time, the software application writes the pointer to the descriptor or first descriptor of a list to the corresponding HDP register. Note that the last descriptor in the list must have its *next* pointer cleared so that the EMAC can detect the end of the list. If only a single descriptor is added, its *next descriptor* pointer must be initialized to zero.

The HDP register must never be written to a second time while a previous list is active. To add additional descriptors to a descriptor list already owned by the EMAC, the NULL *next* pointer of the last descriptor of the previous list is patched with a pointer to the first descriptor in the new list. The list of new descriptors to be appended to the existing list must itself be NULL terminated before the pointer patch is performed.

If the EMAC reads the *next* pointer of a descriptor as NULL in the instant before an application appends additional descriptors to the list by patching the pointer, this may result in a race condition. Thus, the software application must always examine the Flags field of all EOP packets, looking for a special flag called end-of-queue (EOQ). The EOQ flag is set by the EMAC on the last descriptor of a packet when the descriptor's *next* pointer is NULL, allowing the EMAC to indicate to the software application that it has reached the end of the list. When the software application sees the EOQ flag set, and there are more descriptors to process, the application may then submit the new list or missed list portion by writing the new list pointer to the same HDP register that started the process.

This process applies when adding packets to a transmit list, and empty buffers to a receive list.

2.5.3 Transmit and Receive EMAC Interrupts

The EMAC processes descriptors in linked list chains ([Section 2.5.1](#)), using the linked list queue mechanism ([Section 2.5.2](#)).

The EMAC synchronizes the descriptor list processing by using interrupts to the software application. The interrupts are controlled by the application by using the interrupt masks, global interrupt enable, and the completion pointer register (CP). This register is also called interrupt acknowledge register.

As the EMAC supports eight channels for both transmit and receive, there are eight CP registers for both. They are designated as:

- TX n CP: Transmit Channel n Completion Pointer (Interrupt Acknowledge) Register
- RX n CP: Receive Channel n Completion Pointer (Interrupt Acknowledge) Register

These registers serve two purposes. When read, they return the pointer to the last descriptor that the EMAC has processed. When written by the software application, the value represents the last descriptor processed by the software application. If these two values do not match, the interrupt is active.

The system configuration determines whether an active interrupt can interrupt the CPU. In general, the global interrupt for EMAC and MDIO must be enabled in the EMIC module, and it also must be mapped in the DSP interrupt controller and enabled as a CPU interrupt. If the system is configured properly, the interrupt for a specific receive or transmit channel executes under these conditions when the corresponding interrupt is enabled in the EMAC using the RXINTMASKSET or TXINTMASKSET registers.

The current state of the receive or transmit channel interrupt can be examined directly by the software application by reading the RXINTSTRAW and TXINTSTRAW registers, whether or not the interrupt is enabled.

Interrupts are acknowledged when the application software updates the value of TX n CP or RX n CP with a value that matches the internal value kept by the EMAC.

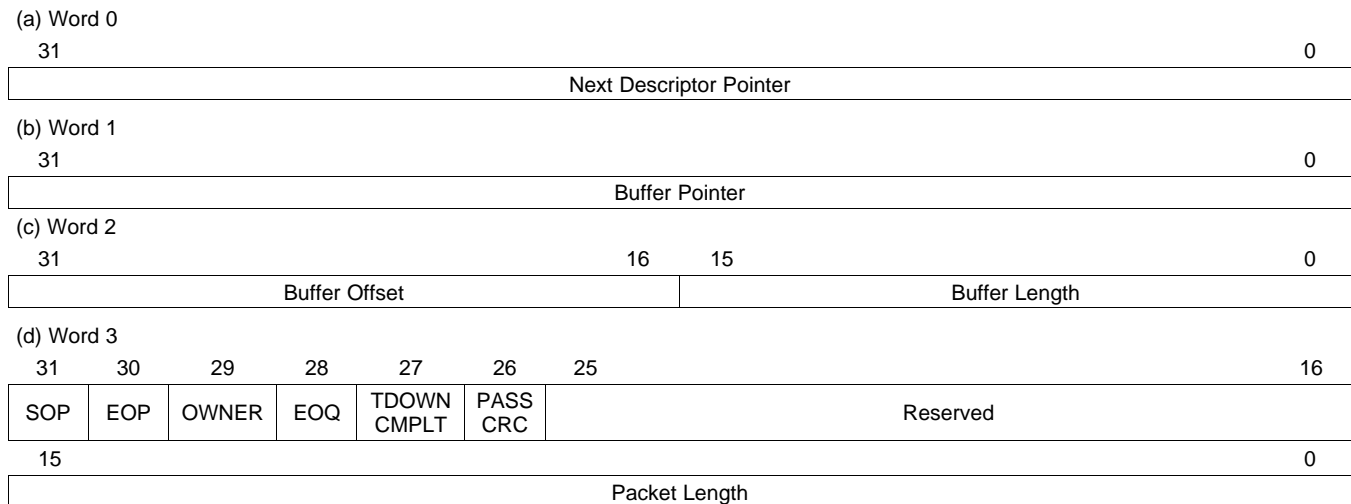
This mechanism ensures that the application software never misses an EMAC interrupt, as the interrupt and its acknowledgment are tied directly to the actual buffer descriptors processing.

2.5.4 Transmit Buffer Descriptor Format

A transmit (TX) buffer descriptor (Figure 12) is a contiguous block of four 32-bit data words aligned on a 32-bit boundary that describes a packet or a packet fragment.

Example 1 shows the transmit buffer descriptor described by a C structure.

Figure 12. Transmit Descriptor Format



Example 1. Transmit Descriptor in C Structure Format

```

/*
// EMAC Descriptor
//
// The following is the format of a single buffer descriptor
// on the EMAC.
*/

typedef struct _EMAC_Desc {
    struct _EMAC_Desc *pNext; /* Pointer to next descriptor in chain */
    Uint8 *pBuffer; /* Pointer to data buffer */
    Uint32 BufOffLen; /* Buffer Offset(MSW) and Length(LSW) */
    Uint32 PktFlgLen; /* Packet Flags(MSW) and Length(LSW) */
} EMAC_Desc;

/* Packet Flags */
#define EMAC_DSC_FLAG_SOP 0x80000000u
#define EMAC_DSC_FLAG_EOP 0x40000000u
#define EMAC_DSC_FLAG_OWNER 0x20000000u
#define EMAC_DSC_FLAG_EOQ 0x10000000u
#define EMAC_DSC_FLAG_TDOWNCMPLT 0x08000000u
#define EMAC_DSC_FLAG_PASSCRC 0x04000000u
    
```

2.5.4.1 Next Descriptor Pointer

The next descriptor pointer indicates the 32-bit word aligned memory address of the next buffer descriptor in the transmit queue. The pointer creates a linked list of buffer descriptors. If the value of this pointer is zero, then the current buffer is the last buffer in the queue. The software application must set this value prior to adding the descriptor to the active transmit list. The pointer is not altered by the EMAC.

The value of pNext should never be altered once the descriptor is in an active transmit queue, unless its current value is NULL. If the pNext pointer is initially NULL, and more packets need to be queued for transmit, the software application may alter this pointer to point to a newly appended descriptor. The EMAC will use the new pointer value and proceed to the next descriptor unless the pNext value has already been read. If the pNext value has already been read, the transmitter will halt on the specified transmit channel, and the software application may restart it then. The software can detect this issue by searching for an end-of-queue (EOQ) condition flag on the updated packet descriptor when it is returned by the EMAC.

2.5.4.2 Buffer Pointer

The buffer pointer is the byte-aligned memory address of the memory buffer associated with the buffer descriptor. The software application must set this value prior to adding the descriptor to the active transmit list. This pointer is not altered by the EMAC.

2.5.4.3 Buffer Offset

This 16-bit field indicates how many unused bytes are at the start of the buffer. For example, a value of 0000h indicates that no unused bytes are at the start of the buffer and that valid data begins on the first byte of the buffer. A value of 000Fh indicates that the first 15 bytes of the buffer are to be ignored by the EMAC and that valid buffer data starts on byte 16 of the buffer. The software application must set this value prior to adding the descriptor to the active transmit list. This field is not altered by the EMAC.

Note that this value is only checked on the first descriptor of a given packet (where the SOP flag is set). It cannot specify the offset of subsequent packet fragments. Also, as the buffer pointer may point to any byte-aligned address, this field may be unnecessary, depending on the device driver architecture.

The range of legal values for this field is 0 to (Buffer Length - 1).

2.5.4.4 Buffer Length

This 16-bit field indicates how many valid data bytes are in the buffer. On single fragment packets, this value is also the total length of the packet data to be transmitted. If the buffer offset field is used, the offset bytes are not counted as part of this length. This length counts only valid data bytes. The software application must set this value prior to adding the descriptor to the active transmit list. This field is not altered by the EMAC.

2.5.4.5 Packet Length

This 16-bit field specifies the number of data bytes in the entire packet. Any leading buffer offset bytes are not included. The sum of the buffer length fields of each of the packet's fragments (if more than one) must be equal to the packet length. The software application must set this value prior to adding the descriptor to the active transmit list. This field is not altered by the EMAC. This value is only checked on the first descriptor of a given packet, where the SOP flag is set.

2.5.4.6 Start-of-Packet (SOP) Flag

When set, this flag indicates that the descriptor points to a packet buffer that is the start of a new packet. For a single fragment packet, both the SOP and end-of-packet (EOP) flags are set. Otherwise, the descriptor pointing to the last packet buffer for the packet sets the EOP flag. This bit is set by the software application and is not altered by the EMAC.

2.5.4.7 End-of-Packet (EOP) Flag

When set, this flag indicates that the descriptor points to the last packet buffer for a given packet. For a single fragment packet, both the start-of-packet (SOP) and EOP flags are set. Otherwise, the descriptor pointing to the last packet buffer for the packet sets the EOP flag. This bit is set by the software application and is not altered by the EMAC.

2.5.4.8 Ownership (OWNER) Flag

When set, this flag indicates that all the descriptors for the given packet (from SOP to EOP) are currently owned by the EMAC. This flag is set by the software application on the SOP packet descriptor before adding the descriptor to the transmit descriptor queue. For a single fragment packet, the SOP, EOP, and OWNER flags are all set. The OWNER flag is cleared by the EMAC once it is finished with all the descriptors for the given packet. Note that this flag is valid on SOP descriptors only.

2.5.4.9 End-of-Queue (EOQ) Flag

When set, this flag indicates that the descriptor in question was the last descriptor in the transmit queue for a given transmit channel, and that the transmitter has halted. This flag is initially cleared by the software application prior to adding the descriptor to the transmit queue. This bit is set by the EMAC when the EMAC identifies that a descriptor is the last for a given packet (the EOP flag is set), and there are no more descriptors in the transmit list (next descriptor pointer is NULL).

The software application can use this bit to detect when the EMAC transmitter for the corresponding channel has halted. This is useful when the application appends additional packet descriptors to a transmit queue list that is already owned by the EMAC. Note that this flag is valid on EOP descriptors only.

2.5.4.10 Teardown Complete (TDOWNCMPLT) Flag

This flag is used when a transmit queue is being torn down, or aborted, instead of allowing transmission, such as during device driver reset or shutdown conditions. The EMAC sets this bit in the SOP descriptor of each packet as it is aborted from transmission.

Note that this flag is valid on SOP descriptors only. Also note that only the first packet in an unsent list has the TDOWNCMPLT flag set. The EMAC does not process subsequent descriptors.

2.5.4.11 Pass CRC (PASSCRC) Flag

The software application sets this flag in the SOP packet descriptor before it adds the descriptor to the transmit queue. Setting this bit indicates to the EMAC that the 4-byte Ethernet CRC is already present in the packet data, and that the EMAC should not generate its own version of the CRC.

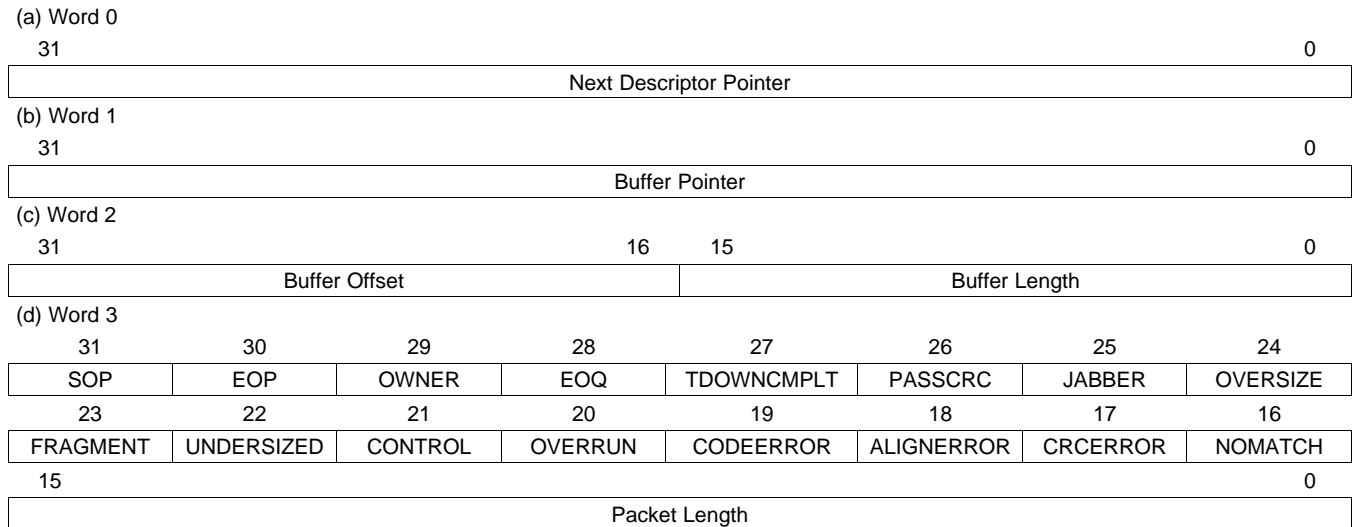
When the CRC flag is cleared, the EMAC generates and appends the 4-byte CRC. The buffer length and packet length fields do not include the CRC bytes. When the CRC flag is set, the 4-byte CRC is supplied by the software application and is appended to the end of the packet data. The buffer length and packet length fields include the CRC bytes, as they are part of the valid packet data. Note that this flag is valid on SOP descriptors only.

2.5.5 Receive Buffer Descriptor Format

A receive (RX) buffer descriptor (Figure 13) is a contiguous block of four 32-bit data words aligned on a 32-bit boundary that describes a packet or a packet fragment.

Example 2 shows the receive descriptor described by a C structure.

Figure 13. Receive Descriptor Format



Example 2. Receive Descriptor in C Structure Format

```

/*
// EMAC Descriptor
//
// The following is the format of a single buffer descriptor
// on the EMAC.
*/

typedef struct _EMAC_Desc {
    struct _EMAC_Desc *pNext; /* Pointer to next descriptor in chain */
    Uint8 *pBuffer; /* Pointer to data buffer */
    Uint32 BufOffLen; /* Buffer Offset(MSW) and Length(LSW) */
    Uint32 PktFlgLen; /* Packet Flags(MSW) and Length(LSW) */
} EMAC_Desc;

/* Packet Flags */
#define EMAC_DSC_FLAG_SOP 0x80000000u
#define EMAC_DSC_FLAG_EOP 0x40000000u
#define EMAC_DSC_FLAG_OWNER 0x20000000u
#define EMAC_DSC_FLAG_EOQ 0x10000000u
#define EMAC_DSC_FLAG_TDOWNCMPLT 0x08000000u
#define EMAC_DSC_FLAG_PASSCRC 0x04000000u
#define EMAC_DSC_FLAG_JABBER 0x02000000u
#define EMAC_DSC_FLAG_OVERSIZE 0x01000000u
#define EMAC_DSC_FLAG_FRAGMENT 0x00800000u
#define EMAC_DSC_FLAG_UNDERSIZED 0x00400000u
#define EMAC_DSC_FLAG_CONTROL 0x00200000u
#define EMAC_DSC_FLAG_OVERRUN 0x00100000u
#define EMAC_DSC_FLAG_CODEERROR 0x00080000u
#define EMAC_DSC_FLAG_ALIGNERROR 0x00040000u
#define EMAC_DSC_FLAG_CRCERROR 0x00020000u
#define EMAC_DSC_FLAG_NOMATCH 0x00010000u

```

2.5.5.1 Next Descriptor Pointer

The next descriptor pointer indicates the 32-bit word aligned memory address of the next buffer descriptor in the receive queue. The pointer creates a linked list of buffer descriptors. If the value of the pointer is zero, then the current buffer is the last buffer in the queue. The software application must set this value prior to adding the descriptor to the active receive list. This pointer is not altered by the EMAC.

The value of pNext should never be altered once the descriptor is in an active receive queue, unless its current value is NULL. If the pNext pointer is initially NULL, and more empty buffers can be added to the pool, the software application may alter this pointer to indicate a newly appended descriptor. The EMAC will use the new pointer value and proceed to the next descriptor unless the pNext value has already been read. If the pNext value has already been read, the receiver will halt the receive channel in question, and the software application may restart it at that time. The software can detect this case by searching for an end-of-queue (EOQ) condition flag on the updated packet descriptor when it is returned by the EMAC.

2.5.5.2 Buffer Pointer

The buffer pointer is the byte-aligned memory address of the memory buffer associated with the buffer descriptor. The software application must set this value prior to adding the descriptor to the active receive list. This pointer is not altered by the EMAC.

2.5.5.3 Buffer Offset

This 16-bit field must be initialized to zero by the software application before adding the descriptor to a receive queue.

This field will be updated depending on the RXBUFFEROFFSET register setting. When the offset register is set to a non-zero value, the received packet is written to the packet buffer at an offset given by the value of the register, and this value is also written to the buffer offset field of the descriptor.

When a packet is fragmented over multiple buffers because it does not fit in the first buffer supplied, the buffer offset only applies to the first buffer in the list, which is where the start-of-packet (SOP) flag is set in the corresponding buffer descriptor. In other words, the buffer offset field is only updated by the EMAC on SOP descriptors.

The range of legal values for the BUFFEROFFSET register is 0 to (Buffer Length - 1) for the smallest value of buffer length for all descriptors in the list.

2.5.5.4 Buffer Length

This 16-bit field has two functions:

- Before the descriptor is first placed on the receive queue by the application software, the software initializes the buffer length field with the physical size of the empty data buffer specified by the buffer pointer field.
- After the empty buffer has been processed by the EMAC and filled with received data bytes, the EMAC updates the buffer length field to reflect the actual number of valid data bytes written to the buffer.

2.5.5.5 Packet Length

This 16-bit field specifies the number of data bytes in the entire packet. The software application initializes this value to zero for empty packet buffers. The EMAC fills in the value on the first buffer used for a given packet, as signified by the EMAC setting a start-of-packet (SOP) flag. The EMAC sets the packet length on all SOP buffer descriptors.

2.5.5.6 Start-of-Packet (SOP) Flag

When set, this flag indicates that the descriptor points to the starting packet buffer of a new packet. For a single fragment packet, both the SOP and end-of-packet (EOP) flags are set. Otherwise, the descriptor pointing to the last packet buffer for the packet has the EOP flag set. The software application initially clears this flag before adding the descriptor to the receive queue. The EMAC sets this bit on SOP descriptors.

2.5.5.7 End-of-Packet (EOP) Flag

When set, this flag indicates that the descriptor points to the last packet buffer for a given packet. For a single fragment packet, both the start-of-packet (SOP) and EOP flags are set. Otherwise, the descriptor pointing to the last packet buffer for the packet has the EOP flag set. The software application initially clears this flag before adding the descriptor to the receive queue. The EMAC sets this bit on EOP descriptors.

2.5.5.8 Ownership (OWNER) Flag

When set, this flag indicates that the descriptor is currently owned by the EMAC. The software application sets this flag before adding the descriptor to the receive descriptor queue. The EMAC clears this flag once it is finished with a given set of descriptors associated with a received packet. The EMAC updates the flag on SOP descriptor only. If the application identifies that the OWNER flag is cleared on an SOP descriptor, it may assume that the EMAC has released all descriptors up to and including the first with the EOP flag set. Note that for single buffer packets, the same descriptor will have both the SOP and EOP flags set.

2.5.5.9 End-of-Queue (EOQ) Flag

When set, this flag indicates that the specified descriptor was the last descriptor in the receive queue for a given receive channel, and that the corresponding receiver channel has halted. The software application initially clears this flag prior to adding the descriptor to the receive queue. The EMAC sets this bit when the EMAC identifies that a descriptor is the last for a given packet received (it also sets the EOP flag), and there are no more descriptors in the receive list (the next descriptor pointer is NULL).

The software application uses this bit to detect when the EMAC receiver for the corresponding channel has halted. This is useful when the application appends additional free buffer descriptors to an active receive queue. Note that this flag is valid on EOP descriptors only.

2.5.5.10 Teardown Complete (TDOWNCMPLT) Flag

This flag is used when a receive queue is being torn down, or aborted, instead of being filled with received data, such as during device driver reset or shutdown conditions. The EMAC sets this bit in the descriptor of the first free buffer when the teardown occurs. No additional queue processing is performed.

2.5.5.11 Pass CRC (PASSCRC) Flag

The EMAC sets this flag in the SOP buffer descriptor, if the received packet includes the 4-byte CRC. The software application must clear this flag before submitting the descriptor to the receive queue.

2.5.5.12 Jabber Flag

The EMAC sets this flag in the SOP buffer descriptor if the received packet is a jabber frame and was not discarded because the RXCEFEN bit was set in the RXMBPENABLE register.

2.5.5.13 Oversize Flag

The EMAC sets this flag in the SOP buffer descriptor if the received packet is an oversized frame and was not discarded because the RXCEFEN bit was set in the RXMBPENABLE register.

2.5.5.14 Fragment Flag

The EMAC sets this flag in the SOP buffer descriptor if the received packet is only a packet fragment and was not discarded because the RXCEFEN bit was set in the RXMBPENABLE register.

2.5.5.15 Undersized Flag

The EMAC sets this flag in the SOP buffer descriptor if the received packet is undersized and was not discarded because the RXCSFEN bit was set in the RXMBPENABLE register.

2.5.5.16 Control Flag

The EMAC sets this flag in the SOP buffer descriptor if the received packet is an EMAC control frame and was not discarded because the RXCMFEN bit was set in the RXMBPENABLE register.

2.5.5.17 Overrun Flag

The EMAC sets this flag in the SOP buffer descriptor if the received packet was aborted due to a receive overrun.

2.5.5.18 Code Error (CODEERROR) Flag

The EMAC sets this flag in the SOP buffer descriptor if the received packet contained a code error and was not discarded because the RXCEFEN bit was set in the RXMBPENABLE register.

2.5.5.19 Alignment Error (ALIGNERROR) Flag

The EMAC sets this flag in the SOP buffer descriptor if the received packet contained an alignment error and was not discarded because the RXCEFEN bit was set in the RXMBPENABLE register.

2.5.5.20 CRC Error (CRCERROR) Flag

The EMAC sets this flag in the SOP buffer descriptor if the received packet contained a CRC error and was not discarded because the RXCEFEN bit was set in the RXMBPENABLE register.

2.5.5.21 No-Match (NOMATCH) Flag

The EMAC sets this flag in the SOP buffer descriptor if the received packet did not pass any of the EMAC's address match criteria and was not discarded because the RXCAFEN bit was set in the RXMBPENABLE register. Although the packet is a valid Ethernet data packet, it is only received because the EMAC is in promiscuous mode.

2.6 Communications Port Programming Interface (CPPI)

The CPPI refers to the data structures used by the EMAC to describe transmit and receive packets and the application programming interface to manipulate the data structures. The CPPI maximizes the efficiency of communication between host processor and EMAC. It minimizes the host interaction, maximizes the memory use efficiency, and maximizes the symmetry between transmit and receive operations. Some of the important features of the CPPI include distributed buffer management, protocol independent packet level interface, support for multichannel/multi-priority queuing, and support for multiple buffer queues. The details of transmit and receive operations and buffer descriptors are covered in [Section 2.5](#).

2.7 Ethernet Multicore Interrupt Combiner (EMIC) Module

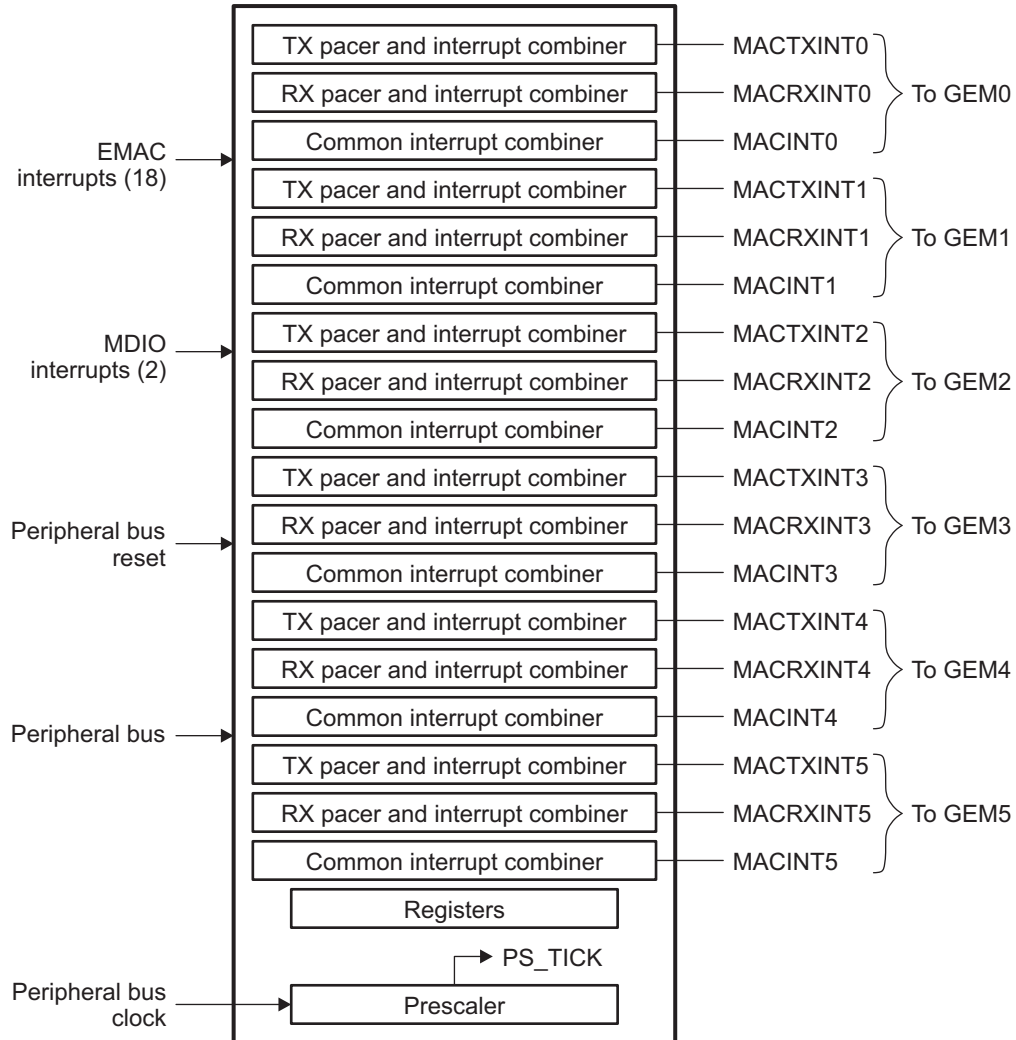
The ethernet multicore interrupt combiner (EMIC) module is designed to efficiently route a single set of interrupts from EMAC and MDIO to multiple cores on a multicore device. It also incorporates interrupt pacing functionality for the Ethernet TX and RX pulse interrupts. The EMIC module uses the pulse interrupts to incorporate some of its pacing functionality.

A high-level block diagram of the EMIC is shown in [Figure 14](#). The following components, as shown in [Figure 14](#), make up the EMIC:

- Pacer Block which consists of:
 - Timed-Delay state machine (TSM)
 - Divide State Machine (DSM)
- Transmit Pacer and Interrupt Combiner (TPIC) which consists of:
 - Pacer block per TX event
 - Interrupt combiner
- Receive Pacer and Interrupt Combiner (RPIC) which consists of:
 - Pacer block per TX event

- Interrupt combiner
- Common Interrupt Combiner (CIC)
- Prescaler
- Registers
- CFG peripheral bus interface

Figure 14. EMIC Block Diagram

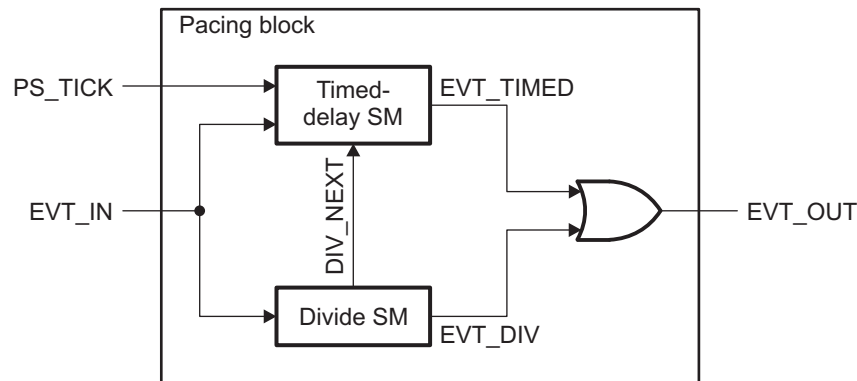


2.7.1 Pacing Block

In simple terms, interrupt pacing represents delaying the initial EMAC events to CPU interrupt based on certain criteria. The pacing block is the basic building block for the interrupt pacing operation. One of the motivations for interrupt pacing is that during Ethernet operation, hundreds or thousands of interrupts are generated per second for packets transmitted or received and interrupt pacing relieves the CPU of the burden of processing every single interrupt. This block provides time-based or count-based pacing of interrupts, in any combination. In addition, this block supports reprogramming of timer value and count value without hardware/software race condition and also facilitates use of the same timer and count values for the next event period.

The EVT_IN is the pulse interrupt from EMAC. This is forwarded to timed-delay and divide by N state machines (see Figure 15). The state machine outputs are combined and sent out as EVT_OUT. PS_TICK is the clock tick from the prescaler block. The prescaler block forwards this signal to all the pacing blocks.

Figure 15. Pacing Block

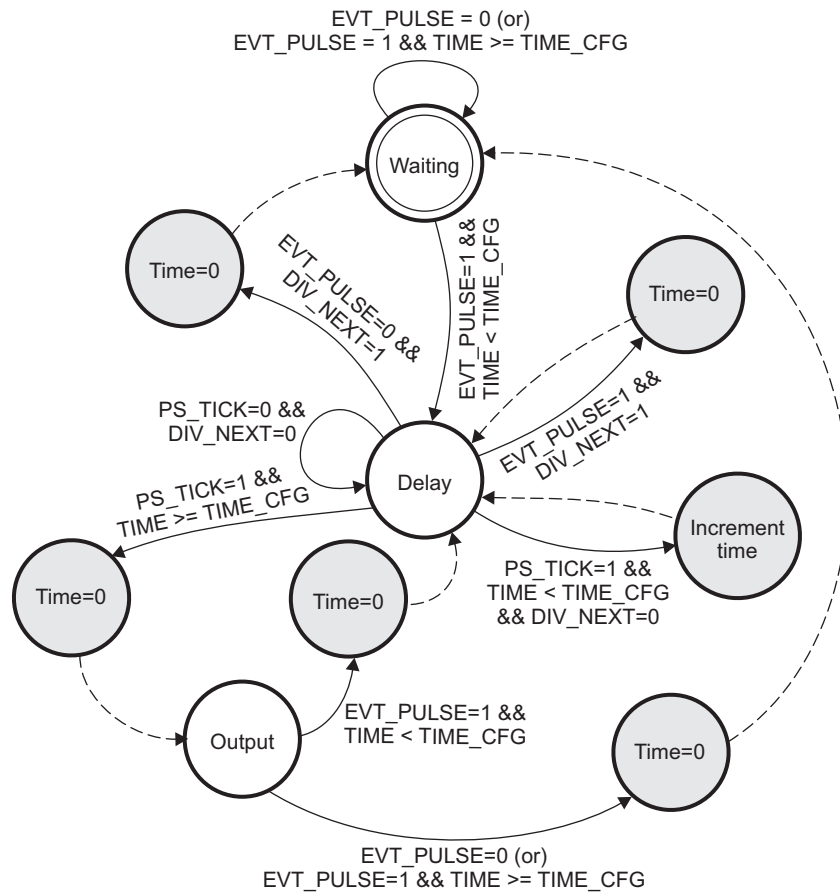


2.7.2 Timed Delay State Machine (TDSM)

The timed-delay state machine fully implements the functionality of the time-delay based interrupt pacing. The TIME_CFG bit field of the TPCFG and RPCFG registers (described in Section 3) is set to 0 on reset and disables this state machine. When the TIME_CFG is set to a non-zero value, an output pulse is generated after the TIME_CFG number of prescalar output periods. The counter starts counting on the first event.

The state machine has three states, WAITING, DELAY, and OUTPUT. Upon reset, the state machine is placed in the WAITING state. The state machine makes transitions between the states as shown in Figure 16. Note that states that are grayed out are transitional states, in the sense that the SM does not stay in the grayed state. While in the transitional state, it typically does an operation, like incrementing the TIME or resetting the TIME. It then changes the state to the state illustrated by the dotted line.

Figure 16. TDSM State Transition Diagram

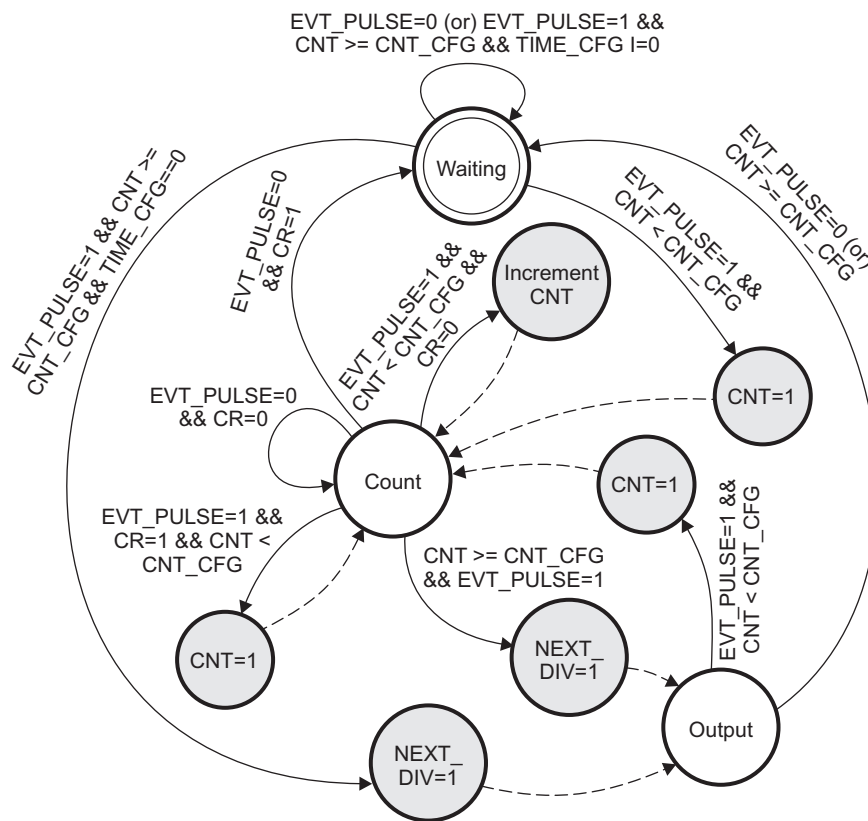


2.7.3 Divide-by-N State Machine (DSM)

The divide-by-N state machine fully implements the functionality of the count-based interrupt pacing. The CNT_CFG bit field of the TPCFG and RPCFG registers (described in Section 3) is set to 0 on reset and immediately generates a pulse (basically means a zero delay), when the TIME_CFG is also set to 0 (i.e., timed-delay SM is disabled). When the TIME_CFG is set to non-zero, it then disables the divide-by-N state machine. When the CNT_CFG is set to non-zero, the CNT_CFG number of events are counted before an output pulse is generated. The counter resets (and reloads) every time when a divide-by-N pulse is generated.

The state machine has three states, WAITING, COUNT, and OUTPUT. Upon reset, the state machine is placed in the WAITING state. The state machine makes transitions between the states as shown in Figure 17. Note that states that are grayed out are transitional states, in the sense that the SM does not stay in the grayed state. While in the transitional state, it typically does an operation, like setting the counter to a certain value.

Figure 17. DSM State Transition Diagram



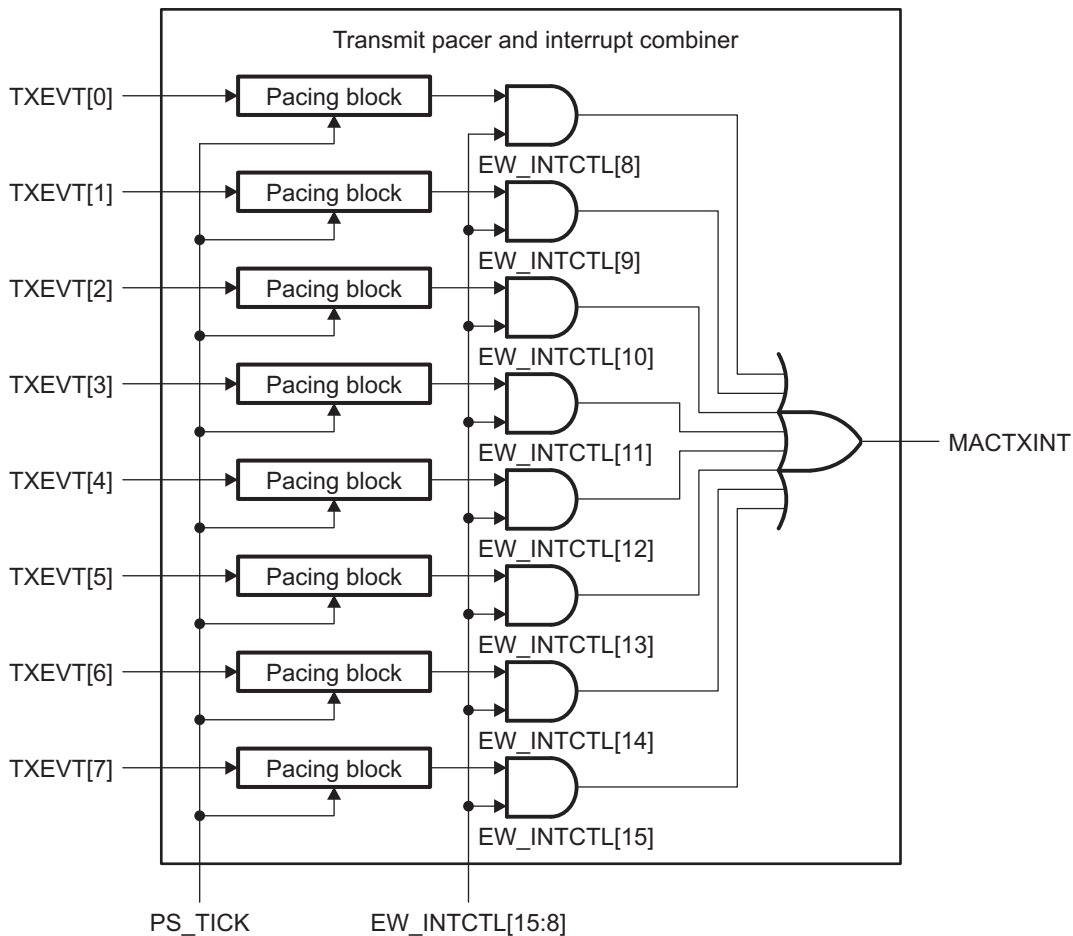
2.7.4 Transmit Pacer and Interrupt Combiner (TPIC)

The transmit pacer and interrupt combiner (TPIC) block performs the following functions:

- Optionally implements pacing for transmit events.
- Combines the output of the pacer module based on the settings of the bits 8 to 15 in the EW_INTCTL register and generates a single MACTXINT interrupt per the C64x+ megamodule.
- Receives a single PS_TICK and forwards it to all the pacing blocks.
- Allows, per interrupt enabling or disabling of the interrupts, the setting of bits 8 to 15 in the EW_INTCTL register.

Figure 18 shows the block diagram of transmit pacer and interrupt combiner (TPIC). TXEVT is an interrupt from EMAC.

Figure 18. Transmit Pacer and Interrupt Combiner



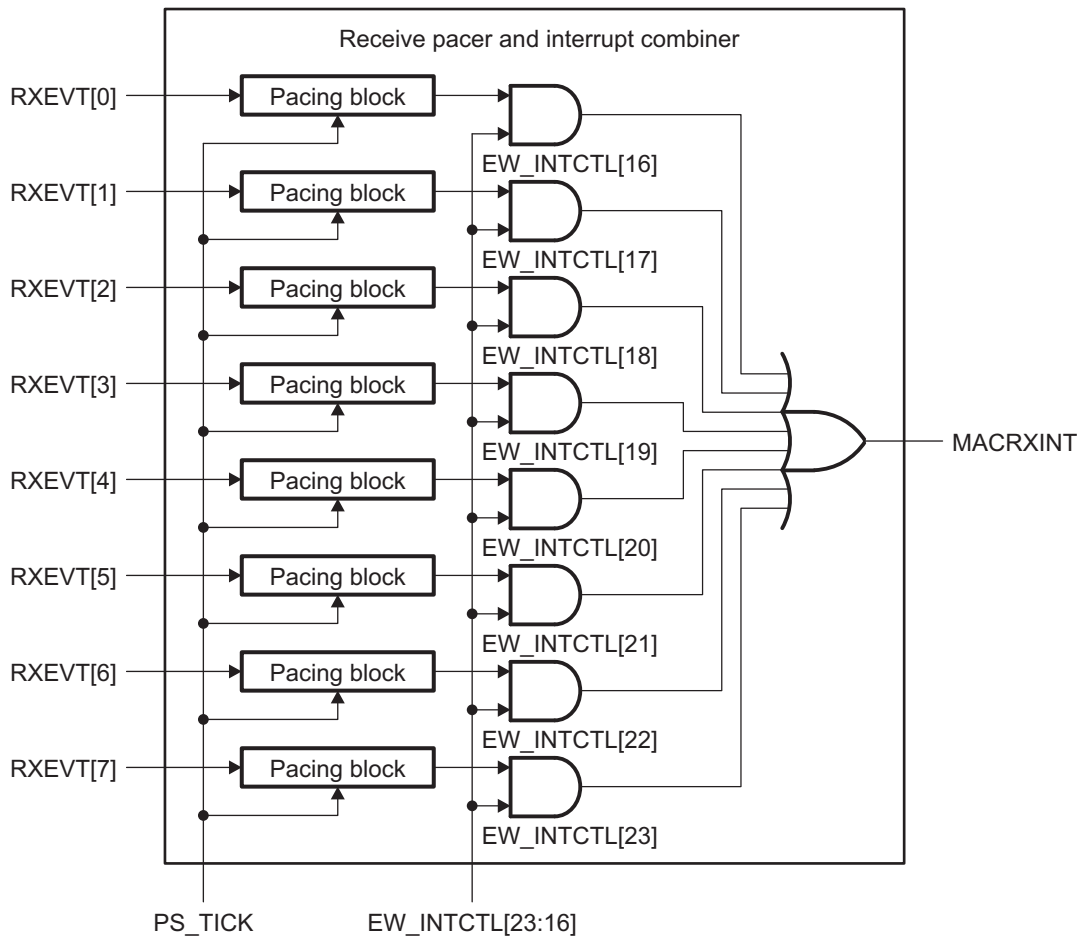
2.7.5 Receive Pacer and Interrupt Combiner (RPIC)

The receive pacer and interrupt combiner (RPIC) block performs following functions:

- Implements pacing for receive events.
- Combines the output of the pacer module based on the settings of bits 16 to 23 in the EW_INTCTL register and generates a single MACRXINT interrupt per the C64x+ megamodule.
- Receives a single PS_TICK and forwards it to all the pacing blocks.
- Allows, per interrupt enabling or disabling of the interrupts, the setting of bits 16 to 23 in the EW_INTCTL register.

Figure 19 shows the block diagram of receive pacer and interrupt combiner (RPIC).

Figure 19. Receive Pacer and Interrupt Combiner



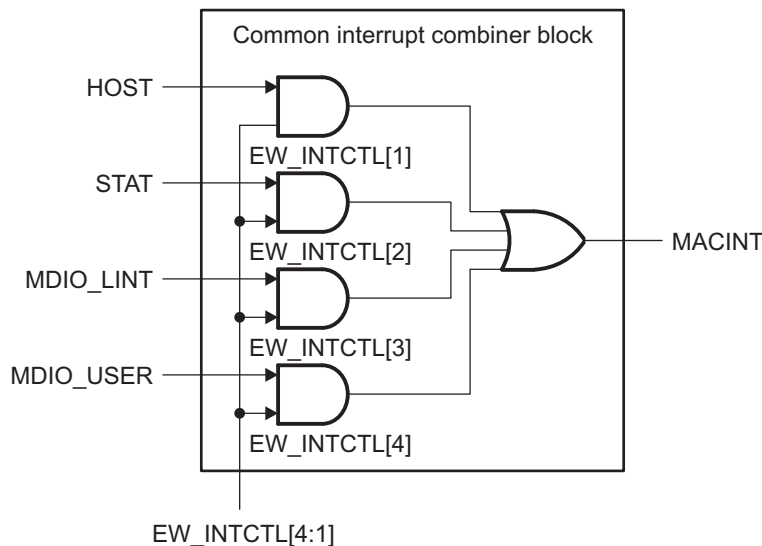
2.7.6 Common Interrupt Combiner (CIC)

The common interrupt combiner (CIC) block performs following functions:

- Combines the two common interrupts from EMAC (HOST and STAT) with the two MDIO interrupts (MDIO_LINT and MDIO_USER) and generates a single MACINT interrupt per the C64x+ megamodule.
- Performs a level-to-pulse conversion of the interrupts because the interrupts from EMAC and MDIO are level sensitive and the C64x+ megamodule expects a pulse interrupt.
- Allows, per interrupt enabling or disabling of the interrupts, the setting of bits 1 to 4 in the EW_INTCTL register.

Figure 20 is the block diagram representing common interrupt combiner.

Figure 20. Common Interrupt Combiner



2.8 Management Data Input/Output (MDIO) Module

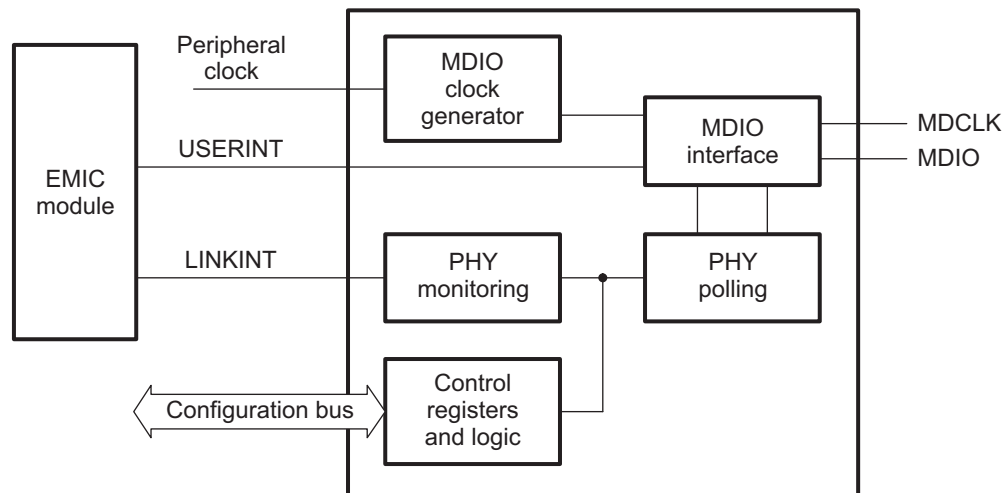
The Management Data Input/Output (MDIO) module manages up to 32 physical layer (PHY) devices connected to the Ethernet Media Access Controller (EMAC). The MDIO module allows almost transparent operation of the MDIO interface with little maintenance from the CPU.

The MDIO module enumerates all PHY devices in the system by continuously polling 32 MDIO addresses. Once it detects a PHY device, the MDIO module reads the PHY status register to monitor the PHY link state. The MDIO module stores link change events that can interrupt the CPU. The event storage allows the CPU to poll the link status of the PHY device without continuously performing MDIO module accesses. However, when the system must access the MDIO module for configuration and negotiation, the MDIO module performs the MDIO read or write operation independent of the CPU. This independent operation allows the DSP to poll for completion or interrupt the CPU once the operation has completed.

2.8.1 MDIO Module Components

The MDIO module (shown in Figure 21) interfaces to PHY components through two MDIO pins (MDCLK and MDIO), and to the DSP core through the EMIC module and the configuration bus. The MDIO module consists of the following logical components:

- MDIO clock generator
- Global PHY detection and link state monitoring
- Active PHY monitoring
- PHY register user access

Figure 21. MDIO Module Block Diagram


2.8.1.1 MDIO Clock Generator

The MDIO clock generator controls the MDIO clock based on a divide-down of the peripheral clock (CPUCLK/6). The MDIO clock is specified to run up to 2.5 MHz, although typical operation would be 1.0 MHz. As the peripheral clock frequency is variable (CPUclk/6), the application software or driver controls the divide-down amount.

2.8.1.2 Global PHY Detection and Link State Monitoring

The MDIO module enumerates all PHY devices in the system by continuously polling all 32 MDIO addresses. The module tracks whether a PHY on a particular address has responded, and whether the PHY currently has a link. This information allows the software application to quickly determine which MDIO address the PHY is using, and if the system is using more than one PHY. The software application can then quickly switch between PHYs based on their current link status.

2.8.1.3 Active PHY Monitoring

Once a PHY candidate has been selected for use, the MDIO module transparently monitors its link state by reading the PHY status register. The MDIO device stores link change events that may optionally interrupt the CPU. Thus, the system can poll the link status of the PHY device without continuously performing MDIO accesses. Up to two PHY devices can be actively monitored at any given time.

2.8.1.4 PHY Register User Access

When the DSP must access the MDIO for configuration and negotiation, the PHY access module performs the actual MDIO read or write operation independent of the CPU. Thus, the CPU can poll for completion or receive an interrupt when the read or write operation has been performed. There are two user access registers (USERACCESS0 and USERACCESS1), allowing the software to submit up to two access requests simultaneously. The requests are processed sequentially.

2.8.2 MDIO Module Operational Overview

The MDIO module implements the 802.3 serial management interface to simultaneously interrogate and control up to two Ethernet PHYs, using a shared two-wired bus. It separately performs auto-detection and records the current link status of up to 32 PHYs, polling all 32 MDIO addresses.

Application software uses the MDIO module to configure the auto-negotiation parameters of the primary PHY attached to the EMAC, retrieve the negotiation results, and configure required parameters in the EMAC. Up to two Ethernet PHYs can be directly controlled and queried. The Media Independent Interface addresses of these two PHY devices are specified in the PHYADRMON fields of the USERPHYSEL n register. The module can be programmed to trigger a CPU interrupt on a PHY link change event by setting the LINKINTENB bit in USERPHYSEL n . Reads and writes to registers in these PHY devices are performed using the USERACCESS n register.

The MDIO module powers up in an idle state until it is enabled by setting the ENABLE bit in the CONTROL register. This also configures the MDIO clock divider and preamble mode selection. The MDIO preamble is enabled by default, but it can be disabled if none of the connected PHYs require it.

Once the MDIO module is enabled, the MDIO interface state machine continuously polls the PHY link status (by reading the generic PHY Status register) of all possible 32 PHY addresses and records the results in the ALIVE and LINK registers. The corresponding bit for each PHY (0-31) is set in the ALIVE register if the PHY responded to the read request. The corresponding bit is set in the LINK register if the PHY responded and also is currently linked. In addition, any PHY register read transactions initiated by the application software using the USERACCESS n register cause the ALIVE register to be updated.

The USERPHYSEL n register is used to track the link status of any two of the 32 possible PHY addresses. Changes in the link status of the two monitored PHYs sets the appropriate bit in the LINKINTRAW and LINKINTMASKED registers, if they are enabled by the LINKINTENB bit in USERPHYSEL n .

While the MDIO module is enabled, the host can issue a read or write transaction over the management interface using the DATA, PHYADR, REGADR, and WRITE bits in the USERACCESS n register. When the application sets the GO bit in USERACCESS n , the MDIO module begins the transaction without any further intervention from the CPU. Upon completion, the MDIO module clears the GO bit and sets the USERINTRAW[0-1] bit in the USERINTRAW register corresponding to the USERACCESS n used. The corresponding USERINTMASKED bit in the USERINTMASKED register may also be set, depending on the mask setting configured in the USERINTMASKSET and USERINTMASKCLEAR registers.

A round-robin arbitration scheme schedules transactions that may be queued using both USERACCESS0 and USERACCESS1. The application software must verify the status of the GO bit in USERACCESS n before initiating a new transaction to ensure that the previous transaction has completed. The application software can use the ACK bit in USERACCESS n to determine the status of a read transaction.

2.8.2.1 Initializing the MDIO Module

To have the application software or device driver initialize the MDIO device, perform the following:

1. Configure the PREAMBLE and CLKDIV bits in the CONTROL register.
2. Enable the MDIO module by setting the ENABLE bit in the CONTROL register.
3. The ALIVE register can be read after a delay to determine which PHYs responded, and the LINK register can determine which of those (if any) already have a link.
4. Set up the appropriate PHY addresses in the USERPHYSEL n register, and set the LINKINTENB bit to enable a link change event interrupt if desirable.
5. If an interrupt on a general MDIO register access is desired, set the corresponding bit in the USERINTMASKSET register to use the USERACCESS n register. If only one PHY is to be used, the application software can set up one of the USERACCESS n registers to trigger a completion interrupt. The other register is not set up.

2.8.2.2 Writing Data to a PHY Register

The MDIO module includes a user access register (USERACCESS n) to directly access a specified PHY device. To write a PHY register, perform the following:

1. Ensure that the GO bit in the USERACCESS n register is cleared.
2. Write to the GO, WRITE, REGADR, PHYADR, and DATA bits in USERACCESS n corresponding to the desired PHY and PHY register.
3. The write operation to the PHY is scheduled and completed by the MDIO module. Completion of the write operation can be determined by polling the GO bit in USERACCESS n for a 0.
4. Completion of the operation sets the corresponding bit in the USERINTRAW register for the USERACCESS n used. If interrupts have been enabled on this bit using the USERINTMASKSET register, then the bit is also set in the USERINTMASKED register and an interrupt is triggered on the DSP.

2.8.2.3 Reading Data From a PHY Register

The MDIO module includes a user access register (USERACCESS n) to directly access a specified PHY device. To read a PHY register, perform the following:

1. Ensure that the GO bit in the USERACCESS n register is cleared.
2. Write to the GO, REGADR, and PHYADR bits in USERACCESS n corresponding to the desired PHY and PHY register.
3. The read data value is available in the DATA bits of USERACCESS n after the module completes the read operation on the serial bus. Completion of the read operation can be determined by polling the GO and ACK bits in USERACCESS n . Once the GO bit has cleared, the ACK bit is set on a successful read.
4. Completion of the operation sets the corresponding bit in the USERINTRAW register for the USERACCESS n used. If interrupts have been enabled on this bit using the USERINTMASKSET register, then the bit is also set in the USERINTMASKED register and an interrupt is triggered on the DSP.

2.8.2.4 Example of MDIO Register Access Code

The MDIO module uses the USERACCESS n register to access the PHY control registers. Software functions that implement the access process include the following four macros:

PHYREG_read (regadr, phyadr)	Starts the process of reading a PHY register
PHYREG_write(regadr, phyadr, data)	Starts the process of writing a PHY register
PHYREG_wait ()	Synchronizes operation (makes sure read/write is idle)
PHYREG_wait Results (results)	Waits for read to complete and returns data read

It is not necessary to wait after a write operation, as long as the status is checked before every operation to make sure the MDIO hardware is idle. An alternative approach is to call PHYREG_wait () after every write, and PHYREG_wait Results () after every read, then the hardware can be assumed to be idle when starting a new operation.

The implementation of these macros using the register layer Chip Support Library (CSL) is shown in [Example 3](#) (USERACCESS0 is assumed).

Note that this implementation does not check the ACK bit on PHY register reads; in other words, it does not follow the procedure outlined in [Section 2.8.2.3](#). As the ALIVE register initially selects a PHY, it is assumed that the PHY is acknowledging read operations. It is possible that a PHY could become inactive at a future point in time. For example, a PHY can have its MDIO addresses changed while the system is running, although it is not a common occurrence. This condition can be tested by periodically checking the PHY state in the ALIVE register.

Example 3. MDIO Register Access Macros

```

#define PHYREG_read(regadr, phyadr)                                     \
    MDIO_REGS->USERACCESS0 =                                         \
        CSL_FMK(MDIO_USERACCESS0_GO,1u) |                            \
        CSL_FMK(MDIO_USERACCESS0_REGADR,regadr) |                   \
        CSL_FMK(MDIO_USERACCESS0_PHYADR,phyadr)

#define PHYREG_write(regadr, phyadr, data)                           \
    MDIO_REGS->USERACCESS0 =                                         \
        CSL_FMK(MDIO_USERACCESS0_GO,1u) |                            \
        CSL_FMK(MDIO_USERACCESS0_WRITE,1) |                          \
        CSL_FMK(MDIO_USERACCESS0_REGADR,regadr) |                   \
        CSL_FMK(MDIO_USERACCESS0_PHYADR,phyadr) |                   \
        CSL_FMK(MDIO_USERACCESS0_DATA, data)

#define PHYREG_wait()                                               \
    while (CSL_FEXT(MDIO_REGS->USERACCESS0,MDIO_USERACCESS0_GO) )

#define PHYREG_wait Results(results ) {                               \
    while (CSL_FEXT(MDIO_REGS->USERACCESS0,MDIO_USERACCESS0_GO) ); \
    results = CSL_FEXT(MDIO_REGS->USERACCESS0, MDIO_USERACCESS0_DATA); }

```

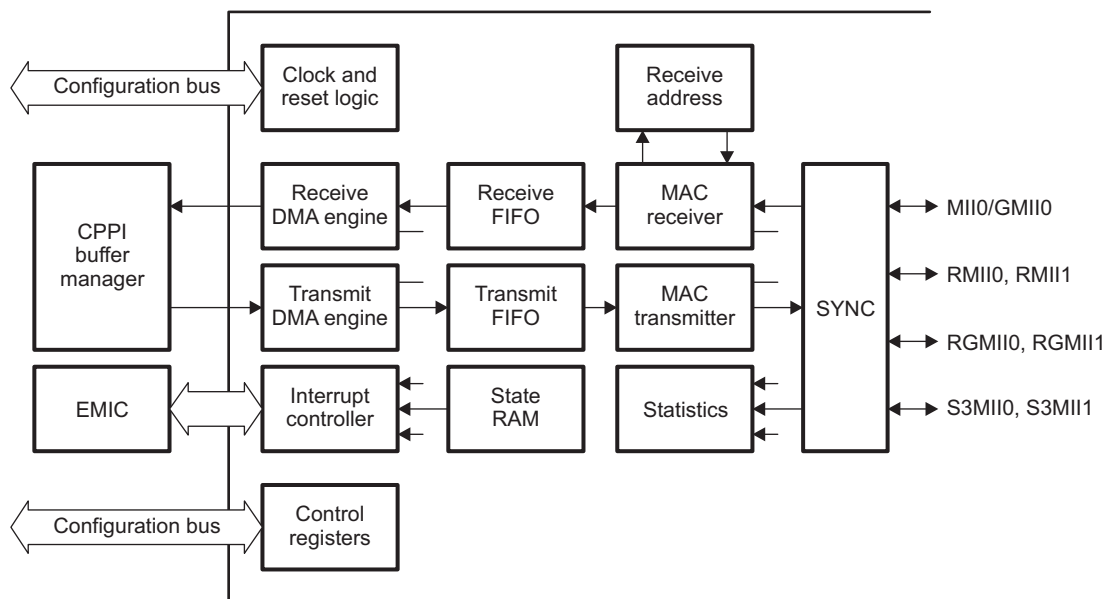
2.9 EMAC Module

This section discusses the architecture and basic functions of the EMAC sub-module integrated with the TCI6486/C6472 device.

2.9.1 EMAC Module Components

There are two EMAC modules integrated with the TCI6486/C6472 device. EMAC0 interfaces with PHY through one of five interfaces: MII, GMII, S3MII, RMII, or RGMII. EMAC1 interfaces with PHY through one of three interfaces: S3MII, RMII, or RGMII. In [Figure 22](#), the number associated with each MII interface shows the EMAC module with which the interface is available. For example: RMII0 is EMAC0 interface, RMII1 is EMAC1 interface.

Figure 22. EMAC Module Block Diagram



Each EMAC peripheral used has the following components:

- The receive path:
 - Receive DMA engine

The receive DMA engine performs the data transfer between the receive FIFO and the device internal or external memory. It interfaces to the processor through the bus arbiter in the CPPI buffer manager. This DMA engine is totally independent of the TCI6486/C6472 DSP EDMA.
 - Receive FIFO

The receive FIFO consists of 68 cells of 64 bytes each and the associated control logic. The FIFO buffers receive data in preparation for writing into packet buffers in device memory and also enable receive FIFO flow control.
 - MAC receiver

The MAC receiver detects and processes incoming network frames, de-frames them, and places them into the receive FIFO. The MAC receiver also detects errors and passes statistics to the statistics RAM.
 - Receive address sub-module

The receive address sub-module performs address matching and address filtering based on the incoming packet's destination address. It contains a 32 x 53 bit two-port RAM in which up to 32 addresses can be stored to be either matched or filtered by the EMAC.

The RAM may contain multicast packet addresses, but the associated channel must have the unicast enable bit set, even though it is a multicast address. The unicast enable bits are used with multicast addresses in the receive address RAM (not the multicast hash enable bits). Therefore, hash matches can be disabled, but specific multicast addresses can be matched (or filtered) in the RAM. If a multicast packet hash matches, the packet may still be filtered in the RAM. Each packet

- can be sent to only a single channel.
- The transmit path:
 - Transmit DMA engine

The transmit DMA engine performs the data transfer between the device internal or external memory and the transmit FIFO. It interfaces to the processor through the bus arbiter in the CPPI buffer manager. This DMA engine is totally independent of the TCI6486/C6472 DSP EDMA.
 - Transmit FIFO

The transmit FIFO consists of 24 cells of 64 bytes each and the associated control logic. This enables a packet of 1518 bytes (standard Ethernet packet size) to be sent without the possibility of under-run. The FIFO buffers data in preparation for transmission.
 - MAC transmitter

The MAC transmitter formats frame data from the transmit FIFO and transmits the data using the CSMA/CD access protocol. The frame CRC can be automatically appended, if required. The MAC transmitter also detects transmission errors and passes statistics to the statistics registers.
- Statistics logic

The statistics logic RAM counts and stores the Ethernet statistics, keeping track of 36 different Ethernet packet statistics.
- State RAM

The state RAM contains the head descriptor pointers and completion pointers registers for both transmit and receive channels.
- Interrupt controller

The interrupt controller contains the interrupt-related registers and logic. The 18 raw EMAC interrupts are input to this sub-module and masked module interrupts are output.
- Control registers and logic

The EMAC is controlled by a set of memory-mapped registers. The control logic also signals transmit, receive, and status related interrupts to the CPU through the EMIC module.
- Clock and reset logic

The clock and reset sub-module generates all the clocks and resets for the EMAC peripheral.

2.9.2 EMAC Module Operational Overview

After reset, initialization, and configuration of the EMAC, the application software running on the host may initiate transmit operations. Transmit operations are initiated by host writes to the appropriate transmit channel head descriptor pointer contained in the state RAM block. The transmit DMA controller then fetches the first packet in the packet chain from memory. The DMA controller writes the packet into the transmit FIFO in bursts of 64-byte cells. The MAC transmitter initiates the packet transmission when either the threshold number of cells (configurable via TXCELLTHRESH in the FIFOCONTROL register) have been written to the transmit FIFO, or a complete packet has been written, whichever is smaller. The SYNC block transmits the packet over one of the MII interfaces in accordance with the 802.3 protocol. The statistics block counts transmit statistics.

Receive operations are initiated by host writes to the appropriate receive channel head descriptor pointer after host initialization and configuration. The SYNC sub-module receives packets and strips off the Ethernet related protocol. The packet data is input to the MAC receiver, which checks for address match (in conjunction with the receive address block) and processes errors. Accepted packets are written to the receive FIFO in bursts of 64-byte cells. The receive DMA controller then writes the packet data to memory. The statistics block counts receive statistics.

The EMAC module operates independently of the CPU. It is configured and controlled by its register set mapped into device memory. Information about data packets is communicated using 16-byte descriptors.

For transmit operations, each 16-byte descriptor describes a packet or packet fragment in the system's internal or external memory. For receive operations, each 16-byte descriptor represents a free packet buffer or buffer fragment. On both transmit and receive, an Ethernet packet is allowed to span one or more memory fragments, represented by one 16-byte descriptor per fragment. In typical operation, there is only one descriptor per receive buffer, but transmit packets may be fragmented, depending on the software architecture.

An interrupt is issued to the CPU whenever a transmit or receive operation has completed. However, it is not necessary for the CPU to service the interrupt while there are additional resources available. In other words, the EMAC continues to receive Ethernet packets until its receive descriptor list has been exhausted. On transmit operations, the transmit descriptors need only be serviced to recover their associated memory buffer. Thus, it is possible to delay servicing of the EMAC interrupt if there are real-time tasks to perform.

Eight channels are supplied for both transmit and receive operations. On transmit, the eight channels represent eight independent transmit queues. The EMAC can be configured to treat these channels as an equal priority round-robin queue, or as a set of eight fixed-priority queues. On receive, the eight channels represent eight independent receive queues with packet classification. Packets are classified based on the destination MAC address. Each of the eight channels is assigned its own MAC address, enabling the EMAC module to act like eight virtual MAC adapters. Also, specific types of frames can be sent to specific channels. For example, multicast, broadcast, or other (promiscuous, error, etc.) frames can each be received on a specific receive channel queue.

The EMAC tracks 36 different statistics, as well as recording the status of each individual packet in its corresponding packet descriptor.

2.10 Media Independent Interfaces

The EMAC0 supports MII, GMII, RMII, S3MII and RGMII physical interfaces to external PHY devices, whereas the EMAC1 supports RMII, S3MII and RGMII interfaces.

The following sections discuss the operation of these interfaces in 10/100 Mbps mode (MII, RMII, GMII and RGMII), and 1000 Mbps mode (GMII and RGMII). An IEEE 802.3 compliant Ethernet MAC controls these interfaces.

2.10.1 Data Reception

2.10.1.1 Receive Control

Data received from the PHY is interpreted and output to the EMAC receive FIFO. Interpretation involves detection and removal of the preamble and start-of-frame delimiter, extraction of the address and frame length, data handling, error checking and reporting, cyclic redundancy checking (CRC), and statistics control signal generation. Receive address detection and frame filtering of the frames that do not address-match is performed outside the Media Independent interface.

2.10.1.2 Receive Inter-Frame Interval

The 802.3 required inter-packet gap (IPG) is 24 receive data clocks (96 bit times). However, the EMAC can tolerate a reduced IPG (2 receive clocks in 10/100 Mbps mode and 5 receive clocks in 1000 Mbps mode) with a correct preamble and start frame delimiter. This interval between frames must comprise (in the following order):

1. An Inter-Packet Gap (IPG).
2. A seven bytes preamble (all bytes 55h).
3. A one byte start-of-frame delimiter (5Dh).

2.10.1.3 Receive Flow Control

When enabled and triggered, receive flow control is initiated to limit the EMAC from further frame reception. Two forms of receive flow control are implemented on the TCI6486/C6472 device:

- Receive buffer flow control
- Receive FIFO flow control

When enabled and triggered, receive buffer flow control prevents further frame reception based on the number of free buffers available. Receive buffer flow control issues flow control collisions in half-duplex mode and IEEE 802.3X pause frames for full-duplex mode.

Receive buffer flow control is triggered when the number of free buffers in any enabled receive channel (RXnFREEBUFFER) is less than or equal to the channel flow control threshold register (RXnFLOWTHRESH) value. Receive flow control is independent of receive QOS, except that both use the free buffer values.

When enabled and triggered, receive FIFO flow control prevents further frame reception based on the number of cells currently in the receive FIFO. Receive FIFO flow control may be enabled only in full-duplex mode (FULLDUPLEX bit is set in the MACCONTROL register). Receive flow control prevents reception of frames on the port until all of the triggering conditions clear, at which time frames may again be received by the port.

Receive FIFO flow control is triggered when the occupancy of the FIFO is greater than or equal to the RXFIFOFLOWTHRESH value in the FIFOCONTROL register. The RXFIFOFLOWTHRESH value must be greater than or equal to 1h and less than or equal to 42h (decimal 66). The RXFIFOFLOWTHRESH reset value is 2h.

Receive flow control is enabled by the RXBUFFERFLOWEN bit and the RXFIFOFLOWEN bit in the MACCONTROL register. The FULLDUPLEX bit in the MACCONTROL register configures the EMAC for collision or IEEE 802.3X flow control.

2.10.1.4 Collision-Based Receive Buffer Flow Control

Collision-based receive buffer flow control provides a means of preventing frame reception when the EMAC is operating in half-duplex mode (FULLDUPLEX bit is cleared in MACCONTROL register). When receive flow control is enabled and triggered, the EMAC generates collisions for received frames. The jam sequence transmitted is the 12-byte sequence C3.C3.C3.C3.C3.C3.C3.C3.C3.C3.C3.C3 in hexadecimal. The jam sequence begins approximately when the source address starts to be received. These forced collisions are not limited to a maximum of 16 consecutive collisions and are independent of the normal back-off algorithm.

Receive flow control does not depend on the value of the incoming frame destination address. A collision is generated for any incoming packet, regardless of the destination address, if any EMAC enabled channel's free buffer register value is less than or equal to the channel's flow threshold value.

2.10.1.5 IEEE 802.3X Based Receive Buffer Flow Control

IEEE 802.3x based receive buffer flow control provides a means of preventing frame reception when the EMAC is operating in full-duplex mode (the FULLDUPLEX bit is set in the MACCONTROL register). When receive flow control is enabled and triggered, the EMAC transmits a pause frame to request that the sending station stop transmitting for the period indicated within the transmitted pause frame.

The EMAC transmits a pause frame to the reserved multicast address at the first available opportunity (immediately if currently idle, or following the completion of the frame currently being transmitted). The pause frame contains the maximum possible value for the pause time (FFFFh). The EMAC counts the receive pause frame time (decrements FF00h to 0) and retransmits an outgoing pause frame, if the count reaches zero. When the flow control request is removed, the EMAC transmits a pause frame with a zero pause time to cancel the pause request.

Note that transmitted pause frames are only a request to the other end station to stop transmitting. Frames that are received during the pause interval are received normally (provided the receive FIFO is not full).

Pause frames are transmitted if enabled and triggered, regardless of whether or not the EMAC is observing the pause time period from an incoming pause frame.

The EMAC transmits pause frames as described below:

- The 48-bit reserved multicast destination address 01.80.C2.00.00.01h.
- The 48-bit source address (set via the MACSRCADDRLO and MACSRCADDRHI registers).
- The 16-bit length/type field containing the value 88.08h.
- The 16-bit pause opcode equal to 00.01h.
- The 16-bit pause time value of FF.FFh. A pause-quantum is 512 bit-times. Pause frames sent to cancel a pause request have a pause time value of 00.00h.

- Zero padding to 64-byte data length (EMAC transmits only 64-byte pause frames).
- The 32-bit frame-check sequence (CRC word).

All quantities are hexadecimal and are transmitted most-significant-byte first. The least-significant-bit (LSB) is transferred first in each byte.

If the RXBUFFERFLOWEN bit in the MACCONTROL register is cleared while the pause time is nonzero, then the pause time is cleared and a zero count pause frame is sent.

2.10.2 Data Transmission

The EMAC passes data to the PHY from the transmit FIFO (when enabled). Data is synchronized to the transmit clock rate. Transmission begins when there are TXCELLTHRESH cells of 64 bytes each, or a complete packet, in the FIFO.

2.10.2.1 Transmit Control

A jam sequence is output if a collision is detected on a transmit packet. If the collision was late (after the first 64 bytes have been transmitted), the collision is ignored. If the collision is not late, the controller will back off before retrying the frame transmission. When operating in full-duplex mode, the carrier sense (MCRS) and collision-sensing (MCOL) modes are disabled.

2.10.2.2 CRC Insertion

If the SOP buffer descriptor PASSCRC flag is cleared, the EMAC generates and appends a 32-bit Ethernet CRC onto the transmitted data. For the EMAC-generated CRC case, a CRC (or placeholder) at the end of the data is allowed but not required. The buffer byte count value should not include the CRC bytes, if they are present.

If the SOP buffer descriptor PASSCRC flag is set, then the last four bytes of the transmit data are transmitted as the frame CRC. The four CRC data bytes should be the last four bytes of the frame and should be included in the buffer byte count value. The MAC performs no error checking on the outgoing CRC.

2.10.2.3 Adaptive Performance Optimization (APO)

The EMAC incorporates adaptive performance optimization (APO) logic that may be enabled by setting the TXPACE bit in the MACCONTROL register. Transmission pacing to enhance performance is enabled when the TXPACE bit is set. Adaptive performance pacing introduces delays into the normal transmission of frames, delaying transmission attempts between stations, and reducing the probability of collisions occurring during heavy traffic (as indicated by frame deferrals and collisions). These actions increase the chance of a successful transmission.

When a frame is deferred, suffers a single collision, multiple collisions, or excessive collisions, the pacing counter is loaded with an initial value of 31. When a frame is transmitted successfully (without experiencing a deferral, single collision, multiple collision, or excessive collision), the pacing counter is decremented by 1 down to 0.

If the pacing counter is zero, this allows a new frame to immediately attempt transmission (after one IPG). If the pacing counter is nonzero, the frame is delayed by a pacing delay of approximately four inter-packet gap delays. APO only affects the IPG preceding the first attempt at transmitting a frame; APO does not affect the back-off algorithm for re-transmitted frames.

2.10.2.4 Interpacket-Gap (IPG) Enforcement

The measurement reference for the IPG of 96 bit times is changed depending on frame traffic conditions. If a frame is successfully transmitted without collision and MCRS is de-asserted within approximately 48 bit times of MTXEN being de-asserted, then 96 bit times is measured from MTXEN. If the frame suffered a collision or MCRS is not de-asserted until more than approximately 48 bit times after MTXEN is de-asserted, then 96 bit times (approximately, but not less) is measured from MCRS.

2.10.2.5 Back Off

The EMAC implements the 802.3 binary exponential back-off algorithm.

2.10.2.6 Transmit Flow Control

When enabled, incoming pause frames are acted upon to prevent the EMAC from transmitting any further frames. Incoming pause frames are only acted upon when the FULLDUPLEX and TXFLOWEN bits in the MACCONTROL register are set. Pause frames are not acted upon in half-duplex mode. Pause frame action is taken if enabled, but normally the frame is filtered and not transferred to memory. MAC control frames are transferred to memory, if the RXCMFEN bit in the RXMBPENABLE register is set. The TXFLOWEN and FULLDUPLEX bits affect whether MAC control frames are acted upon, but they have no effect upon whether MAC control frames are transferred to memory or filtered.

Pause frames are a subset of MAC control frames with an opcode field of 0001h. Incoming pause frames are only acted upon by the EMAC if the following conditions occur:

- The TXFLOWEN bit is set in the MACCONTROL register.
- The frame's length is between 64 bytes and RXM AXLEN bytes inclusive.
- The frame contains no CRC error or align/code errors.

The pause time value from valid frames is extracted from the two bytes following the opcode. The pause time is loaded into the EMAC transmit pause timer and the transmit pause time period begins.

If a valid pause frame is received during the transmit pause time period of a previous transmit pause frame, then either the destination address is not equal to the reserved multicast address or any enabled or disabled unicast address, and the transmit pause timer immediately expires; or the new pause time value is 0, and the transmit pause timer immediately expires. Otherwise, the EMAC transmit pause timer is set immediately to the new pause frame pause time value. (Any remaining pause time from the previous pause frame is discarded.)

If the TXFLOWEN bit in MACCONTROL is cleared, then the pause timer immediately expires.

The EMAC does not start the transmission of a new data frame any sooner than 512-bit times after a pause frame with a non-zero pause time has finished being received (MRXDV going inactive). No transmission begins until the pause timer has expired (the EMAC may transmit pause frames to initiate outgoing flow control). Any frame already in transmission when a pause frame is received is completed and unaffected.

Incoming pause frames consist of:

- A 48-bit destination address equal to one of the following:
 - The reserved multicast destination address 01.80.C2.00.00.01h
 - Any EMAC 48-bit unicast address. Pause frames are accepted, regardless of whether the channel is enabled.
- The 48-bit source address of the transmitting device
- The 16-bit length/type field containing the value 88.08h
- The 16-bit pause opcode equal to 00.01h
- The 16-bit pause time. A pause-quantum is 512 bit-times
- Padding to 64-byte data length
- The 32-bit frame-check sequence (CRC word)

All quantities are hexadecimal and are transmitted most-significant-byte first. The least-significant-bit (LSB) is transferred first in each byte.

The padding is required to make up the frame to a minimum of 64 bytes. The standard allows pause frames longer than 64 bytes to be discarded or interpreted as valid pause frames. The EMAC recognizes any pause frame between 64 bytes and RXMAXLEN bytes in length.

2.10.2.7 Speed, Duplex, and Pause Frame Support

The MAC can operate in half-duplex or full-duplex mode at 10 Mbps or 100 Mbps, and can operate in full duplex only in 1000 Mbps. Pause frame support is included in 10/100/1000 Mbps modes as configured by the host.

2.11 Packet Receive Operation

2.11.1 Receive DMA Host Configuration

To configure the receive DMA for operation, the host must perform the following actions:

- Initialize the receive addresses
- Initialize the RX n HDP registers to zero
- Write the MACHASH1 and MACHASH2 registers, if hash matching multicast addressing is desired
- Initialize the RX n FREEBUFFER, RX n FLOWTHRESH, and RXFILTERLOWTHRESH registers, if flow control is to be enabled
- Enable the desired receive interrupts using the RXINTMASKSET and RXINTMASKCLEAR registers
- Set the appropriate configuration bits in the MACCONTROL register
- Write the RXBUFFEROFFSET register value (typically zero)
- Set up the receive channel(s) buffer descriptors and initialize the RX n HDP registers
- Enable the receive DMA controller by setting the RXEN bit in the RXCONTROL register
- Configure and enable the receive operation, as desired, in the RXMBPENABLE register and by using the RXUNICASTSET and RXUNICASTCLEAR registers

2.11.2 Receive Channel Enabling

Each of the eight receive channels has an enable bit (RXCH n EN) in the RXUNICASTSET register that is controlled using the RXUNICASTSET and RXUNICASTCLEAR registers. The RXCH n EN bits determine whether the given channel is enabled (when set to 1) to receive frames with a matching unicast or multicast destination address.

The RXBROADEN bit in the RXMBPENABLE register determines if broadcast frames are enabled or filtered. If broadcast frames are enabled, then they are copied to only a single channel selected by the RXBROADCH field of RXMBPENABLE register.

The RXMULTEN bit in the RXMBPENABLE register determines if hash matching multicast frames are enabled or filtered. Incoming multicast addresses (group addresses) are hashed into an index in the hash table. If the indexed bit is set, the frame hash will match and it will be transferred to the channel selected by the RXMULTCH field when multicast frames are enabled. The multicast hash bits are set in the MACHASH1 and MACHASH2 registers.

The RXPROMCH bits in the RXMBPENABLE register select the promiscuous channel to receive frames selected by the RXCMFEN, RXCSFEN, RXCEFEN, and RXCAFEN bits. These four bits allow reception of MAC control frames, short frames, error frames, and all frames (promiscuous), respectively.

The address RAM can be configured to set multiple unicast and/or multicast addresses to a given channel (if the match bit is set in the RAM). Multicast addresses in the RAM are enabled by the RXUNICASTSET register and not by the RXMULTEN bit in the RXMBPENABLE register. The RXMULTEN bit enables the hash multicast match only. The address RAM takes precedence over the hash match.

If a multicast packet is received that hash matches (multicast packets enabled), but is filtered in the RAM, then the packet is filtered. If a multicast packet does not hash match, regardless of whether or not hash matching is enabled, but matches an enabled multicast address in the RAM, then the packet will be transferred to the associated channel.

2.11.3 Receive Channel Addressing

The receive address block can store up to 32 addresses to be filtered or matched. Before enabling packet reception, all the address RAM locations should be initialized, including locations to be unused. The system software is responsible for adding and removing addresses from the RAM.

A MAC address location in RAM is 53 bits wide and consists of:

- 48 bits of the MAC address
- 3 bits for the channel to which a valid address match will be transferred. The channel is a don't care if the MATCHFILT bit is cleared.
- A valid bit
- A match or filter bit

First, write the index into the address RAM in the MACINDEX register to start writing a MAC address. Then write the upper 32 bits of the MAC address (MACADDRHI register), and then the lower 16 bits of MAC address with the VALID and MATCHFILT control bits (MACADDRLO). The valid bit should be cleared for the unused locations in the receive address RAM.

The most common uses for the receive address sub-module are:

- Set EMAC in promiscuous mode, using the RXCAFEN and RXPROMCH bits in the RXMBPENABLE register. Then filter up to 32 individual addresses, which can be both unicast and/or multicast.
- Disable the promiscuous mode (RXCAFEN = 0) and match up to 32 individual addresses, multicast and/or unicast.

2.11.4 Hardware Receive QOS Support

Hardware receive quality of service (QOS) is supported, when enabled, by the Tag Protocol Identifier format and the associated Tag Control Information (TCI) format priority field. When the incoming frame length/type value is equal to 81.00h, the EMAC recognizes the frame as an Ethernet Encoded Tag Protocol Type. The two octets immediately following the protocol type contain the 16-bit TCI field. Bits 15-13 of the TCI field contain the received frames priority (0 to 7). The received frame is a low-priority frame if the priority value is 0 to 3. The received frame is a high-priority frame if the priority value is 4 to 7. All frames that have a length/type field value not equal to 81.00h are low-priority frames.

Received frames that contain priority information are determined by the EMAC as:

- A 48-bit (6 bytes) destination address equal to:
 - The destination station's individual unicast address
 - The destination station's multicast address (MACHASH1 and MACHASH2 registers)
 - The broadcast address of all ones
- A 48-byte (6 bytes) source address
- The 16-bit (2 bytes) length/type field containing the value 81.00h
- The 16-bit (2 bytes) TCI field with the priority field in the upper 3 bits
- Data bytes
- The 4-bytes CRC

The RXFILTERLOWTHRESH and the RX n FREEBUFFER registers are used in conjunction with the priority information to implement receive hardware QOS. Low-priority frames are filtered if the number of free buffers (RX n FREEBUFFER) for the frame channel is less than or equal to the filter low threshold (RXFILTERLOWTHRESH) value. Hardware QOS is enabled by the RXQOSEN bit in the RXMBPENABLE register.

2.11.5 Host Free Buffer Tracking

The host must track free buffers for each enabled channel (including unicast, multicast, broadcast, and promiscuous) if receive QOS or receive flow control is used. Disabled channel free buffer values are don't cares. During initialization, the host should write the number of free buffers for each enabled channel to the appropriate RX n FREEBUFFER register. The EMAC decrements the appropriate channel's free buffer value for each buffer used. When the host reclaims the frame buffers, the host should write the channel free buffer register with the number of reclaimed buffers (write to increment). There are a maximum of 65 535 free buffers available. The RX n FREEBUFFER registers only need to be updated by the host if receive QOS or flow control is used.

2.11.6 Receive Channel Teardown

The host commands a receive channel teardown by writing the channel number to the RXTEARDOWN register. When a teardown command is issued to an enabled receive channel, the following occurs:

- Any current frame in reception completes normally.
- The TDOWNCMPLT flag is set in the next buffer descriptor in the chain, if there is one.
- The channel head descriptor pointer is cleared.
- A receive interrupt for the channel is issued to the host.
- The corresponding RX n CP register contains the value FFFF FFFCh.
- The host should acknowledge a teardown interrupt with an FFFF FFFCh acknowledge value.

Channel teardown may be commanded on any channel at any time. The host is informed of the teardown completion by the set teardown complete buffer descriptor bit. The EMAC does not clear any channel enables due to a teardown command. A teardown command to an inactive channel issues an interrupt that software should acknowledge with an FFFF FFFCh acknowledge value to RX n CP (note that there is no buffer descriptor in this case). Software may read RX n CP to determine if the interrupt was due to a commanded teardown. The read value is FFFF FFFCh if the interrupt was due to a teardown command.

2.11.7 Receive Frame Classification

Received frames are proper, or good, frames if they are between 64 and RXMAXLEN in length (inclusive) and contain no code, align, or CRC errors.

Received frames are long frames if their frame count exceeds the value in the RXMAXLEN register. The RXMAXLEN register default reset value is 5EEh (1518 in decimal). Long received frames are either oversized or jabber frames. Long frames with no errors are oversized frames; long frames with CRC, code, or alignment errors are jabber frames.

Received frames are short frames if their frame count is less than 64 bytes. Short frames that address match and contain no errors are undersized frames; short frames with CRC, code, or alignment errors are fragment frames. If the frame length is less than or equal to 20, then the frame CRC is passed, regardless of whether the RXPASSCRC bit is set or cleared in the RXMBPENABLE register.

A received long packet always contains RXMAXLEN number of bytes transferred to memory (if the RXCEFEN bit is set in RXMBPENABLE) regardless of the value of the RXPASSCRC bit. Following is an example with RXMAXLEN set to 1518:

- If the frame length is 1518, then the packet is not a long packet and there are 1514 or 1518 bytes transferred to memory depending on the value of the RXPASSCRC bit.
- If the frame length is 1519, there are 1518 bytes transferred to memory regardless of the RXPASSCRC bit value. The last three bytes are the first three CRC bytes.
- If the frame length is 1520, there are 1518 bytes transferred to memory regardless of the RXPASSCRC bit value. The last two bytes are the first two CRC bytes.
- If the frame length is 1521, there are 1518 bytes transferred to memory regardless of the RXPASSCRC bit value. The last byte is the first CRC byte.
- If the frame length is 1522, there are 1518 bytes transferred to memory. The last byte is the last data byte.

2.11.8 Promiscuous Receive Mode

When the promiscuous receive mode is enabled by setting the RXCAFEN bit in the RXMBPENABLE register, non-address matching frames that would normally be filtered are transferred to the promiscuous channel. Address matching frames that would normally be filtered due to errors are transferred to the address match channel when the RXCAFEN and RXCEFEN bits are set. Address matching frames with the filter bit set (MATCHFILT = 0) are always filtered regardless of the RXCAFEN and RXCEFEN bit setting. A frame is considered to be an address matching frame only if it is enabled to be received on a unicast, multicast, or broadcast channel. Frames received to disabled unicast, multicast, or broadcast channels are considered non-address matching.

MAC control frames address match only if the RXCMFEN bit is set. RXCEFEN and RXCSFEN determine whether error frames are transferred to memory or not, but they do not determine whether error frames are address matching or not. Short frames are a special type of error frames.

A single channel is selected as the promiscuous channel by the RXPROMCH field in the RXMBPENABLE register. The promiscuous receive mode is enabled by the RXCMFEN, RXCEFEN, RXCSFEN, and RXCAFEN bits in RXMBPENABLE. Table 14 shows the effects of the promiscuous enable bits. Proper frames are frames that are between 64 and RXMAXLEN bytes in length inclusive and contain no code, align, or CRC errors.

Table 14. Receive Frame Treatment Summary

Address Match	RXMBPENABLE Bits				Frame Treatment
	RXCAFEN	RXCEFEN	RXCMFEN	RXCSFEN	
0	0	X	X	X	No frames transferred.
0	1	0	0	0	Proper frames transferred to promiscuous channel.
0	1	0	0	1	Proper/undersized data frames transferred to promiscuous channel.
0	1	0	1	0	Proper data and control frames transferred to promiscuous channel.
0	1	0	1	1	Proper/undersized data and control frames transferred to promiscuous channel.
0	1	1	0	0	Proper/oversize/jabber/code/align/CRC data frames transferred to promiscuous channel. No control or undersized/fragment frames are transferred.
0	1	1	0	1	Proper/undersized/fragment/oversize/jabber/code/align/CRC data frames transferred to promiscuous channel. No control frames are transferred.
0	1	1	1	0	Proper/oversize/jabber/code/align/CRC data and control frames transferred to promiscuous channel. No undersized frames are transferred.
0	1	1	1	1	All non-address matching frames with and without errors transferred to promiscuous channel.
1	X	0	0	0	Proper data frames transferred to address match channel.
1	X	0	0	1	Proper/undersized data frames transferred to address match channel.
1	X	0	1	0	Proper data and control frames transferred to address match channel.
1	X	0	1	1	Proper/undersized data and control frames transferred to address match channel.
1	X	1	0	0	Proper/oversize/jabber/code/align/CRC data frames transferred to address match channel. No control or undersized frames are transferred.
1	X	1	0	1	Proper/oversize/jabber/fragment/undersized/code/align/CRC data frames transferred to address match channel. No control frames are transferred.

Table 14. Receive Frame Treatment Summary (continued)

Address Match	RXMBPENABLE Bits				Frame Treatment
	RXCAFEN	RXCEFEN	RXCMFEN	RXCSEFEN	
1	X	1	1	0	Proper/oversize/jabber/code/align/CRC data and control frames transferred to address match channel. No undersized/fragment frames are transferred.
1	X	1	1	1	All address matching frames with and without errors transferred to the address match channel.

2.11.9 Receive Overrun

The types of receive overruns are:

- FIFO start-of-frame overrun (FIFO_SOF)
- FIFO middle-of-frame overrun (FIFO_MOF)
- DMA start-of-frame overrun (DMA_SOF)
- DMA middle-of-frame overrun (DMA_MOF)

The statistics counters used to track these types of receive overruns are:

- Receive Start-of-Frame Overruns Register (RXSOFOVERRUNS)
- Receive Middle-of-Frame Overruns Register (RXMOFOVERRUNS)
- Receive DMA Overruns Register (RXDMAOVERRUNS)

Start-of-frame overruns happen when there are no resources available when frame reception begins. Start-of-frame overruns increment the appropriate overrun statistic(s) and the frame is filtered.

Middle-of-frame overruns happen when there are some resources to start the frame reception, but the resources run out during frame reception. In normal operation, a frame that overruns after starting the frame reception is filtered and the appropriate statistic(s) are incremented; however, the RXCEFEN bit in the RXMBPENABLE register affects overrun frame treatment. Table 15 shows how the overrun condition is handled for the middle-of-frame overrun.

Table 15. Middle-of-Frame Overrun Treatment

Address Match	RXCAFEN	RXCEFEN	Middle-of-Frame Overrun Treatment
0	0	X	Overrun frame filtered.
0	1	0	Overrun frame filtered.
0	1	1	As much frame data as possible is transferred to the promiscuous channel until overrun. The appropriate overrun statistic(s) is incremented and the OVERRUN and NOMATCH flags are set in the SOP buffer descriptor. Note that the RXMAXLEN number of bytes cannot be reached for an overrun to occur (it would be truncated and be a jabber or oversize).
1	X	0	Overrun frame filtered with the appropriate overrun statistic(s) incremented.
1	X	1	As much frame data as possible is transferred to the address match channel until overrun. The appropriate overrun statistic(s) is incremented and the OVERRUN flag is set in the SOP buffer descriptor. Note that the RXMAXLEN number of bytes cannot be reached for an overrun to occur (it would be truncated).

2.12 Packet Transmit Operation

The transmit DMA is an eight channel interface. Priority between the eight queues may be either fixed or round robin as selected by the TXPTYPE bit in the MACCONTROL register. If the priority type is fixed, then channel 7 has the highest priority and channel 0 has the lowest priority. Round robin priority proceeds from channel 0 to channel 7.

2.12.1 Transmit DMA Host Configuration

To configure the transmit DMA for operation, the host must perform the following:

- Write the MACSRCADDRLO and MACSRCADDRHI registers (used for pause frames on transmit).

- Initialize the TX n HDP registers to zero.
- Enable the desired transmit interrupts using the TXINTMASKSET and TXINTMASKCLEAR registers.
- Set the appropriate configuration bits in the MACCONTROL register.
- Set up the transmit channel(s) buffer descriptors in host memory.
- Enable the transmit DMA controller by setting the TXEN bit in the TXCONTROL register.
- Write the appropriate TX n HDP registers with the pointer to the first descriptor to start transmit operations.

2.12.2 Transmit Channel Teardown

The host commands a transmit channel teardown by writing the channel number to the TXTEARDOWN register. When a teardown command is issued to an enabled transmit channel, the following occurs:

- Any frame currently in transmission completes normally.
- The TDOWNCMPLT flag is set in the next SOP buffer descriptor in the chain, if there is one.
- The channel head descriptor pointer is cleared.
- A transmit interrupt is issued, informing the host of the channel teardown.
- The corresponding TX n CP register contains the value FFFF FFFCh.
- The host should acknowledge a teardown interrupt with an FFFF FFFCh acknowledge value.

Channel teardown may be commanded on any channel at any time. The host is informed of the teardown completion by the set teardown complete buffer descriptor bit (TDOWNCMPLT). The EMAC does not clear any channel enables due to a teardown command. A teardown command to an inactive channel issues an interrupt that software should acknowledge with an FFFF FFFCh acknowledge value to TX n CP (note that there is no buffer descriptor). Software may read the interrupt acknowledge location (TX n CP) to determine if the interrupt was due to a commanded teardown. The read value is FFFF FFFCh if the interrupt was due to a teardown command.

2.13 Receive and Transmit Latency

The transmit FIFO contains twenty four 64-byte cells, and the receive FIFO contains sixty eight 64-byte cells. The EMAC begins transmission of a packet on the wire after TXCELLTHRESH cells (configurable through the FIFOCONTROL register) or a complete packet are available in the FIFO.

Transmit underrun cannot occur for packet sizes of TXCELLTHRESH times 64 bytes (or less). For larger packet sizes, transmit underrun can occur if the memory latency is greater than the time required to transmit a 64-byte cell on the wire; this is 0.512 μ s in 1 Gbit mode, 5.12 μ s in 100 Mbps mode, and 51.2 μ s in 10 Mbps mode. The memory latency time includes all buffer descriptor reads for the entire cell data.

The EMAC transmit FIFO uses 24 cells; thus, underrun cannot happen for a normal size packet (less than 1536 packet bytes). Cell transmission can be configured to start only after an entire packet is contained in the FIFO; for a maximum-size packet, set the TXCELLTHRESH field to the maximum possible value of 24.

Receive overrun is prevented if the receive memory cell latency is less than the time required to transmit a 64-byte cell on the wire (0.512 μ s in 1 Gbps mode, 5.12 μ s in 100 Mbps mode, or 51.2 μ s in 10 Mbps mode). The latency time includes any required buffer descriptor reads for the cell data.

Latency to system's internal and external RAM can be controlled through the use of the transfer node priority allocation register in the TC16486/C6472 devices. Latency to descriptor RAM is low because RAM is local to the EMAC, as it is part of the CPPI buffer manager.

2.14 Transfer Node Priority

The TC16486/C6472 devices contain a system-level priority allocation register (PRI_ALLOC) that sets the priority of the transfer node used in issuing memory transfer requests to system memory.

Although the EMAC has internal FIFOs to help alleviate memory transfer arbitration problems, the average transfer rate of data read and written by the EMAC to internal or external DSP memory must be at least equal to the Ethernet wire rate. In addition, the internal FIFO system cannot withstand a single memory latency event greater than the time it takes to fill or empty a TXCELLTHRESH number of internal 64-byte FIFO cells.

For example, for 1000-Mbps operation, these restrictions translate into the following rules:

- For the short-term average, each 64-byte memory read/write request from the EMAC must be serviced in no more than 0.512 μ s.
- Any single latency event in request servicing can be no longer than $(0.512 * \text{TXCELLTHRESH}) \mu$ s.

Bits [0-2] of the PRI_ALLOC register set the transfer node priority for EMAC0 in the device. Bits [12-14] of the PRI_ALLOC register set the transfer node priority for EMAC1 in the device. A value of 000b has the highest priority, while 111b has the lowest. The default priority assigned to EMAC0 and EMAC1 is 111b. It is important to have a balance between all peripherals. In most cases, the default priorities will not need adjustment.

2.15 Reset Considerations

2.15.1 Software Reset Considerations

For information on the chip level reset capabilities of various peripherals, see the *TMS320TCI6486 Communications Infrastructure Digital Signal Processor* data manual ([SPRS300](#)) or the *TMS320C6472 Fixed-Point Digital Signal Processor* data manual ([SPRS612](#)).

Within the peripheral itself, the EMAC component of the Ethernet MAC peripheral can be placed in a reset state by writing to the SOFTRESET register located in EMAC memory map. Writing a one to bit 0 of this register causes the EMAC logic to be reset, and the register values to be set to their default values. Software reset occurs when the receive and transmit DMA controllers are in an idle state to avoid locking up the configuration bus; it is the responsibility of the software to verify that there are no pending frames to be transferred. After writing a one to this bit, it may be polled to determine if the reset has occurred. A value of one indicates that the reset has not yet occurred. A value of zero indicates that a reset has occurred.

After a software reset operation, all the EMAC registers need to be re-initialized for proper data transmission.

Unlike the EMAC module, the MDIO, EMIC modules, and CPPI buffer managers cannot be placed in reset from a register inside their memory map.

2.15.2 Hardware Reset Considerations

When a hardware reset occurs, the EMAC peripheral will have its register values reset, and all the sub-modules will return to their default state. After the hardware reset, the EMAC needs to be initialized before resuming its data transmission, as described in [Section 2.16](#).

A hardware reset is the only means of recovering from the error interrupts (HOSTPEND), which are triggered by errors in packet buffer descriptors. Before doing a hardware reset, you should inspect the error codes in the MACSTATUS register. This register provides information about the software error type that needs correction. For more information on error interrupts, see [Section 2.17.1.4](#).

2.15.3 RGMII Transmission

On device reset, packet transmissions on the RGMII interface are precluded for 4096 transmit clock cycles after the RGMII link signal goes high. Transmission can be started only after 4096 cycles of transmit clock after the link signal goes high. Any packet transmission attempt within 4096 clock cycles of transmit clock will not cause an actual packet transmission over the RGMII interface. This restriction on packet transmissions calls for a delay in the packet transmission after device reset. An approximate delay of 2 ms after reset should be enough to start packet transmissions.

2.15.4 S3MII Transmission

On device reset, packet transmissions on the S3MII interface are precluded for 4096 transmit clock cycles after the S3MII link signal goes high. Transmission can be started only after 4096 cycles of transmit clock after the link signal goes high. Any packet transmission attempt within 4096 clock cycles of transmit clock will not cause an actual packet transmission over the S3MII interface. This restriction on packet transmissions calls for a delay in the packet transmission after device reset. An approximate delay of 2 ms after reset should be enough to start packet transmissions.

2.16 Initialization

2.16.1 Enabling the EMAC/MDIO Peripheral

When the device is powered on, the EMAC peripheral is disabled. Prior to EMAC-specific initialization, the EMAC must be enabled; otherwise its registers cannot be written, and the reads will all return a value of zero. The interface to be used (MII, RMII, GMII, or RGMII) is automatically selected at power-on reset, based on the state of the MACSEL configuration pins.

EMAC/MDIO is enabled through the chip level module state control register 0 (MDCTL0) and module status register 0 (MDSTAT0). For detailed information on the programming sequence, see the *TMS320TC16486 Communications Infrastructure Digital Signal Processor* data manual ([SPRS300](#)) or the *TMS320C6472 Fixed-Point Digital Signal Processor* data manual ([SPRS612](#)). This sequence enables the EMAC peripheral, and the register values are reset to default. Module-specific initialization may proceed.

2.16.2 EMIC Module Initialization

The EMIC module is used for global interrupt enable, and to pace back-to-back interrupts using an interrupt re-trigger count based on the peripheral clock (CPUCLK/6).

Note that although the EMIC module and the EMAC module have slightly different functions, in practice, the type of maintenance performed on the EMIC module is more commonly conducted from the EMAC module software (as opposed to the MDIO module).

The initialization of the EMIC module consists of two parts:

1. Configuration of the interrupt on the DSP.
2. Initialization of the EMIC module:
 - Setting the interrupt pace count delay and prescaler
 - Initializing the EMAC and MDIO modules
 - Enabling interrupts in the EW_INTCTL

Use the system's interrupt controller to map the EMAC interrupts to one of the CPU's interrupts. Once the interrupt is mapped to a CPU interrupt, general masking and unmasking of the interrupt (to control reentrancy) should be done at the chip level by manipulating the interrupt enable mask. The EMIC module interrupt control register (EW_INTCTL) should only enable and disable interrupts from within the EMAC interrupt service routine (ISR), as disabling and re-enabling the interrupt in EW_INTCTL also resets the interrupt pace counter.

2.16.3 MDIO Module Initialization

The MDIO module initially configures and monitors one or more external PHY devices. Other than initializing the software state machine (details on the MDIO state machine can be found in the IEEE 802.3 standard), the MDIO module only needs the MDIO engine enabled and the clock divider configured. To set the clock divider, supply an MDIO clock of 1 MHz. As the peripheral clock is used as the base clock (CPUclk/6), the divider can be set to 125 for a 750 MHz device. Slower MDIO clocks for slower CPU frequencies are acceptable.

Both the state machine enable and the MDIO clock divider are controlled through the MDIO control register (CONTROL). If none of the potentially connected PHYs require the access preamble, the PREAMBLE bit can also be set in CONTROL to speed up PHY register access. See [Example 4](#) for an example of the code for initialization.

Example 4. MDIO Module Initialization Code

```
#define PCLK 125
...
/* Enable MDIO and setup divider */
MDIO_REGS->CONTROL = CSL_FMKT( MDIO_CONTROL_ENABLE, YES) |
                        CSL_FMK( MDIO_CONTROL_CLKDIV, PCLK ) ;
```

If the MDIO module must operate on an interrupt basis, the interrupts can be enabled at this time using the USERINTMASKSET register for register access and the USERPHYSEL_n register if a target PHY is already known.

Once the MDIO state machine has been initialized and enabled, it starts polling all 32 PHY addresses on the MDIO bus, looking for active PHYs. Since it can take up to 50 μ s to read one register, the MDIO module provides an accurate representation of all the PHYs available after a reasonable interval. Also, a PHY can take up to 3 seconds to negotiate a link. Thus, it is advisable to run the MDIO software off a time-based event rather than polling.

For more information on PHY control registers, see the PHY device documentation.

2.16.4 EMAC Module Initialization

The EMAC module sends and receives data packets over the network by maintaining up to 8 transmit and receive descriptor queues. The EMAC module configuration must also be kept current based on the PHY negotiation results returned from the MDIO module. Programming this module is the most time-consuming aspect of developing an application or device driver for Ethernet.

A device driver should follow this initialization procedure to get the EMAC to the state where it is ready to receive and send Ethernet packets. Some of these steps are not necessary when performed immediately after device reset.

1. If enabled, clear the device interrupt enable in EW_INTCTL.
2. Clear the MACCONTROL, RXCONTROL, and TXCONTROL registers (not necessary immediately after reset).
3. Initialize all 16 Head Descriptor Pointer registers (RX_nHDP and TX_nHDP) to 0.
4. Clear all 36 statistics registers by writing 0 (not necessary immediately after reset).
5. Initialize all 32 receive address RAM locations to 0. Set up the addresses to be matched to the eight receive channels and the addresses to be filtered, through programming the MACINDEX, MACADDRHI, and MACADDRLO registers.
6. Initialize the RX_nFREEBUFFER, RX_nFLOWTHRESH, and RXFILTERLOWTHRESH registers, if buffer flow control is to be enabled. Program the FIFOCONTROL register if FIFO flow control is desired.
7. Most device drivers open with no multicast addresses, so clear the MACHASH1 and MACHASH2 registers.
8. Write the RXBUFFEROFFSET register value (typically zero).
9. Initially clear all unicast channels by writing FFh to the RXUNICASTCLEAR register. If unicast is desired, it can be enabled now by writing the RXUNICASTSET register. Some drivers will default to unicast on device open while others will not.
10. If you want to transfer jumbo frames, set the RXMAXLEN register to the maximum frame length you want to be received.
11. Set up the RXMBPENENABLE register with an initial configuration. The configuration is based on the current receive filter settings of the device driver. Some drivers may enable things like broadcast and multicast packets immediately, while others may not.
12. Set the appropriate configuration bits in the MACCONTROL register (do not set the GMIEN bit yet).
13. Clear all unused channel interrupt bits by writing RXINTMASKCLEAR and TXINTMASKCLEAR.
14. Enable the receive and transmit channel interrupt bits in RXINTMASKSET and TXINTMASKSET for the channels to be used, and enable the HOSTMASK and STATMASK bits using the MACINTMASKSET register.
15. Initialize the receive and transmit descriptor list queues using the 8K descriptor memory block contained in the CPPI buffer manager.
16. Prepare to receive by writing a pointer to the head of the receive buffer descriptor list to RX_nHDP.
17. Enable the receive and transmit DMA controllers by setting the RXEN bit in the RXCONTROL register and the TXEN bit in the TXCONTROL register. Then set the GMIEN bit in MACCONTROL.
18. If the gigabit mode is desired (available only if using GMII or RGMII interface), set the GIG bit in the MACCONTROL register.
19. When using RMII, release the interface logic from reset by clearing the RMII_RST field of the EMAC

- Configuration register (EMACCFG), found at device level.
20. Enable the device interrupt in EW_INTCTL.

2.17 Interrupt Support

2.17.1 EMAC Module Interrupt Events and Requests

The EMAC/MDIO generates 18 interrupt events, as follows:

- TXPEND n : Transmit packet completion interrupt for transmit channels 7 through 0
- RXPEND n : Receive packet completion interrupt for receive channels 7 through 0
- STATPEND: Statistics interrupt
- HOSTPEND: Host error interrupt

2.17.1.1 Transmit Packet Completion Interrupts

The transmit DMA engine has eight channels, and each channel has a corresponding interrupt (TXPEND n). The transmit interrupts are level interrupts that remain asserted until cleared by the CPU.

Each of the eight transmit channel interrupts may be individually enabled by setting the appropriate bit in the TXINTMASKSET register. Each of the eight transmit channel interrupts may be individually disabled by clearing the appropriate bit in the TXINTMASKCLEAR register. The raw and masked transmit interrupt status may be read by reading the TXINTSTATRAW and TXINTSTATMASKED registers, respectively.

When the EMAC completes the transmission of a packet, the EMAC issues an interrupt to the CPU by writing the packet's last buffer descriptor address to the appropriate channel queue's TX completion pointer located in the state RAM block. The write generates the interrupt when enabled by the interrupt mask, regardless of the value written.

Upon interrupt reception, the CPU processes one or more packets from the buffer chain and then acknowledges an interrupt by writing the address of the last buffer descriptor processed to the queue's associated TX completion pointer in the transmit DMA state RAM.

The data written by the host (buffer descriptor address of the last processed buffer) is compared to the data in the register written by the EMAC port (address of last buffer descriptor used by the EMAC). If the two values are not equal, indicating that the EMAC has transmitted more packets than the CPU has processed interrupts for, then the transmit packet completion interrupt signal remains asserted. If the two values are equal, indicating that the host has processed all packets that the EMAC has transferred, then the pending interrupt is cleared. Reading the TX n CP register displays the value that the EMAC is expecting.

The EMAC write to the completion pointer stores the value in the state RAM. The CPU written value does not change the register value. The host-written value is compared to the register content, which was written by the EMAC. If the two values are equal, then the interrupt is removed; otherwise the interrupt remains asserted. The host may process multiple packets prior to acknowledging an interrupt, or the host may acknowledge interrupts for every packet.

2.17.1.2 Receive Packet Completion Interrupts

The receive DMA engine has eight channels, and each channel has a corresponding interrupt (RXPEND n). The receive interrupts are level interrupts that remain asserted until cleared by the CPU.

Each of the eight receive channel interrupts may be individually enabled by setting the appropriate bit in the RXINTMASKSET register. Each of the eight receive channel interrupts may be individually disabled by clearing the appropriate bit in the RXINTMASKCLEAR register. The raw and masked receive interrupt status may be read by reading the RXINTSTATRAW and RXINTSTATMASKED registers, respectively.

When the EMAC completes a packet reception, the EMAC issues an interrupt to the CPU by writing the packet's last buffer descriptor address to the appropriate channel queue's RX completion pointer located in the state RAM block. The write generates the interrupt when enabled by the interrupt mask, regardless of the value written.

Upon interrupt reception, the CPU processes one or more packets from the buffer chain and then acknowledges one or more interrupt(s) by writing the address of the last buffer descriptor processed to the queue's associated RX completion pointer in the receive DMA state RAM.

The data written by the host (buffer descriptor address of the last processed buffer) is compared to the data in the register written by the EMAC (address of last buffer descriptor used by the EMAC). If the two values are not equal, indicating that the EMAC has received more packets than the CPU has processed interrupts for, the receive packet completion interrupt signal remains asserted. If the two values are equal, indicating that the host has processed all packets that the EMAC has received, the pending interrupt is de-asserted. Reading the RX_nCP register displays the value that the EMAC is expecting.

The EMAC write to the completion pointer stores the value in the state RAM. The CPU written value does not change the register value. The host-written value is compared to the register content, which was written by the EMAC. If the two values are equal, then the interrupt is removed; otherwise the interrupt remains asserted. The host may process multiple packets prior to acknowledging an interrupt, or the host may acknowledge interrupts for every packet.

2.17.1.3 Statistics Interrupt

The statistics level interrupt (STATPEND) is issued when any statistics value is greater than or equal to 8000 0000h, if it has been enabled by the STATMASK bit in the MACINTMASKSET register. The statistics interrupt is removed by writing to decrement any statistics value greater than 8000 0000h. The interrupt remains asserted as long as the most-significant-bit of any statistics value is set.

2.17.1.4 Host Error Interrupt

The host error interrupt (HOSTPEND) is issued, if enabled, under error conditions due to the handling of buffer descriptors detected during transmit or receive DMA transactions. The failure of the software application to supply properly formatted buffer descriptors results in this error. The error bit can only be cleared by resetting the EMAC module in hardware.

The host error interrupt is enabled by setting the HOSTMASK bit in the MACINTMASKSET register. The host error interrupt is disabled by clearing the appropriate bit in the MACINTMASKCLEAR register. The raw and masked host error interrupt status may be read by reading the MACINTSTATRAW and MACINTSTATMASKED registers, respectively.

Transmit host error conditions include:

- SOP error
- Ownership bit not set in SOP buffer
- Zero next buffer descriptor pointer without EOP
- Zero buffer pointer
- Zero buffer length
- Packet length error

Receive host error conditions include:

- Ownership bit not set in input buffer
- Zero buffer pointer

2.17.2 MDIO Module Interrupt Events and Requests

The MDIO module generates two interrupt events, as follows:

- LINKINT: Serial interface link change interrupt. Indicates a change in the state of the PHY link.
- USERINT: Serial interface user command event complete interrupt.

2.17.2.1 Link Change Interrupt

The MDIO module asserts a link change interrupt (LINKINT) if there is a change in the link state of the PHY corresponding to the address in the PHYADRMON bits in the USERPHYSEL n register, and if the LINKINTENB bit is also set in USERPHYSEL n . This interrupt event is also captured in the LINKINTRAW bits of the LINKINTRAW register. The LINKINTRAW bits 0 and 1 correspond to USERPHYSEL0 and USERPHYSEL1, respectively.

When the interrupt is enabled and generated, the corresponding bit is also set in the LINKINTMASKED register. The interrupt is cleared by writing back the same bit to LINKINTMASKED (write to clear).

2.17.2.2 User Access Completion Interrupt

A user access completion interrupt (USERINT) is asserted when the GO bit in one of the USERACCESS n registers transitions from 1 to 0 (indicating completion of a user access) and the bit in the USERINTMASKSET register corresponding to USERACCESS0 or USERACCESS1 is set. This interrupt event is also captured in bits 0 and 1 of the USERINTRAW register. USERINTRAW bits 0 and bit 1 correspond to USERACCESS0 and USERACCESS1, respectively.

When the interrupt is enabled and generated, the corresponding USERINTMASKED bit is also set in the USERINTMASKED register. The interrupt is cleared by writing back the same bit to USERINTMASKED (write to clear).

2.17.3 Proper Interrupt Processing

All the interrupts signaled from the EMAC and MDIO modules are level-driven. If they remain active, their level remains constant. However, the CPU core requires edge-triggered interrupts. To properly convert the level-driven interrupt signal to an edge-triggered signal, the application software must use the interrupt control logic of the EMIC module.

For safe interrupt processing, the software application should disable interrupts using the EMIC module interrupt control register (EW_INTCTL) upon entry to the ISR, and re-enable them upon leaving the ISR.

2.17.4 Interrupt Multiplexing

The EMIC module combines different interrupt signals from both the EMAC and MDIO modules and generates a single interrupt signal that is wired to the CPU interrupt controller.

Once this interrupt is generated, the reason for the interrupt can be read from the MACINVECTOR register located in the EMAC memory map. MACINVECTOR combines the status of the following 20 interrupt signals: TXPEND n , RXPEND n , STATPEND, HOSTPEND, LINKINT, and USERINT.

The EMAC and MDIO interrupts are combined within the EMIC module and mapped to system events 70 and 71 through the use of the enhanced interrupt selector within the C64x+ core. For more details, see the Interrupt Controller chapter in the *TMS320C64x+ Megamodule Peripherals Reference Guide* ([SPRU871](#)) and the *TMS320TCI6486 Communications Infrastructure Digital Signal Processor* data manual ([SPRS300](#)) or the *TMS320C6472 Fixed-Point Digital Signal Processor* data manual ([SPRS612](#)).

2.18 Power Management

The power saver module integrated in this device allows the clock for different peripherals to be shut down when that peripheral is not being used. For more information on the power conservation modes available for the EMAC/MDIO peripheral, see the *TMS320TCI6486 Communications Infrastructure Digital Signal Processor* data manual ([SPRS300](#)) or the *TMS320C6472 Fixed-Point Digital Signal Processor* data manual ([SPRS612](#)).

2.19 Emulation Considerations

EMAC emulation control is implemented for compatibility with other peripherals. The SOFT and FREE bits from the EMCONTROL register allow EMAC operation to be suspended.

When the emulation suspend state is entered, the EMAC will stop processing receive and transmit frames at the next frame boundary. Any frame currently in reception or transmission will be completed normally without suspension. For transmission, any complete or partial frame in the transmit cell FIFO will be transmitted. For receive, frames that are detected by the EMAC after the suspend state is entered are ignored. No statistics will be kept for ignored frames.

Table 16 shows how the SOFT and FREE bits affect the operation of the emulation suspend.

Table 16. Emulation Control

SOFT	FREE	Description
0	0	Normal operation
1	0	Emulation suspend
X	1	Normal operation

3 EMIC Module Registers

3.1 EW_INTCTL Registers

There are six EW_INTCTL registers (one per C64x+ megamodule). These registers, shown in [Figure 23](#), reside in the configuration space of the respective Ethernet wrappers. This register controls generation of MACTXINT, MACRXINT, and MACINT interrupts for each core.

The interrupts are classified into 3 groups:

- Common interrupts:
 - MDIO_USER
 - MDIO_LINT
 - STAT
 - HOST
- Transmit interrupts:
 - TX0 through TX7
- Receive interrupts:
 - RX0 through RX7

Generation of MACINTX is conditional on the following:

- At least one of the pulse interrupts in the common group is enabled.
- At least one of the enabled pulse interrupts in the common group is asserted by EMAC or MDIO.

Generation of MACTXINTX is conditional on the following:

- At least one of the pulse interrupts in the transmit group is enabled.
- At least one of the enabled pulse interrupts in the transmit group is asserted by EMAC.

Generation of MACRXINTX is conditional on the following:

- At least one of the pulse interrupts in the receive group is enabled.
- At least one of the enabled pulse interrupts in the receive group is asserted by EMAC.

Figure 23. EW_INTCTL Register

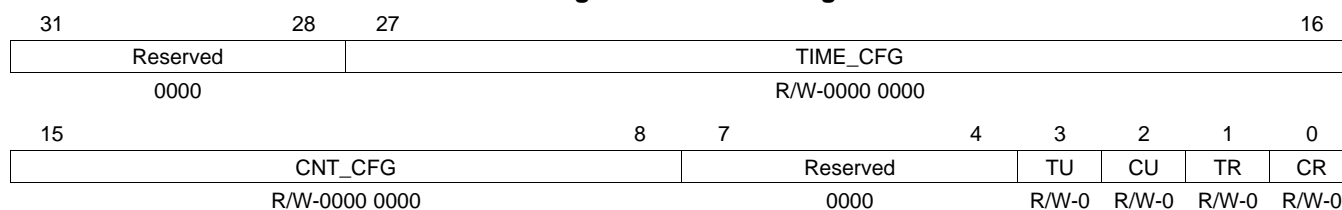
31								24							
Reserved															
0000 0000															
23		22		21		20		19		18		17		16	
RX7	RX6	RX5	RX4	RX3	RX2	RX1	RX0	RX7	RX6	RX5	RX4	RX3	RX2	RX1	RX0
R/W-0		R/W-0		R/W-0		R/W-0		R/W-0		R/W-0		R/W-0		R/W-0	
15		14		13		12		11		10		9		8	
TX7	TX6	TX5	TX4	TX3	TX2	TX1	TX0	TX7	TX6	TX5	TX4	TX3	TX2	TX1	TX0
R/W-0		R/W-0		R/W-0		R/W-0		R/W-0		R/W-0		R/W-0		R/W-0	
7				5		4		3		2		1		0	
Reserved				MDIO_USER		MDIO_LINT		STAT		HOST		Reserved			
000				R/W-0		R/W-0		R/W-0		R/W-0		0			

LEGEND: R/W = Read/Write; R = Read only; -n = value after reset

3.2 RPIC Registers

3.2.1 RPCFG Registers

There are eight RPCFG registers (RPCFG0 through RPCFG7), one per receive event. This register configuration is common to all C64x+ megamodules. The RPCFG register details are shown in [Figure 24](#) and described in [Table 17](#).

Figure 24. RPCFG Register


LEGEND: R/W = Read/Write; R = Read only; -n = value after reset

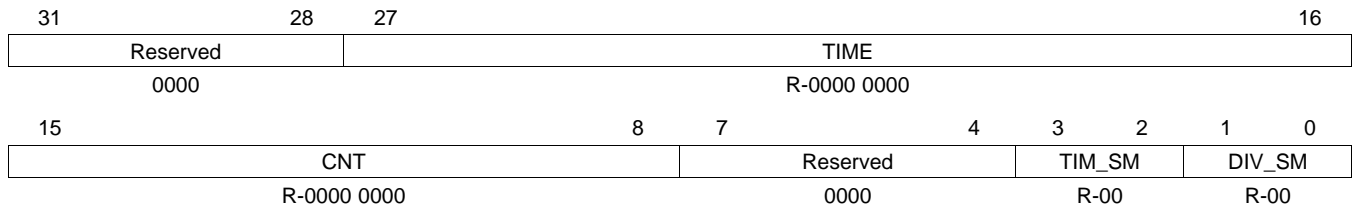
Table 17. RPCFG Register Field Descriptions

Bit	Field	Value	Description
31-28	Reserved		Reserved
27-16	TIME_CFG		Time delay configuration value
15-8	CNT_CFG		Divide by N configuration value
7-4	Reserved		Reserved
3	TU	0 1	Write-only bit; reads return 0 N/A Enables writes to TIME_CFG
2	CU	0 1	Write-only bit; reads return 0 N/A Enables writes to CNT_CFG
1	TR	0 1	Write-only bit; reads return 0 N/A Resets the timer counter
0	CR	0 1	Write-only bit; reads return 0 N/A Resets the divide by N count

3.2.2 RPSTAT Registers

There are eight RPSTAT registers (RPSTAT0 thru RPSTAT7), one per receive event. This register configuration is common to all C64x+ megamodules. The RPSTAT register details are shown in [Figure 25](#) and described in [Table 18](#).

Figure 25. RPSTAT Register



LEGEND: R/W = Read/Write; R = Read only; -n = value after reset

Table 18. RPSTAT Register Field Descriptions

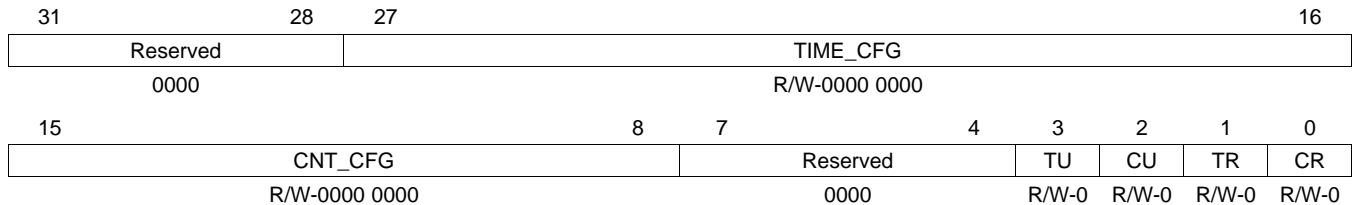
Bit	Field	Value	Description
31-28	Reserved		Reserved
27-16	TIME		Current time delay value
15-8	CNT		Current divide by N value
7-4	Reserved		Reserved
3-2	TIM_SM	00 01 10 11	Time delay SM Time delay SM in WAITING state Time delay SM in DELAY state Time delay SM in OUTPUT state Reserved
1-0	DIV_SM	00 01 10 11	Divide by N SM Divide by N SM in WAITING state Divide by N SM in DELAY state Divide by N SM in OUTPUT state Reserved

3.3 TPIC Registers

3.3.1 TPCFG Registers

There are eight TPCFG registers (TPCFG0 through TPCFG7), one per transmit event. This register configuration is common to all C64x+ megamodules. The TPCFG register details are shown in [Figure 26](#) and described in [Table 19](#).

Figure 26. TPCFG Register



LEGEND: R/W = Read/Write; R = Read only; -n = value after reset

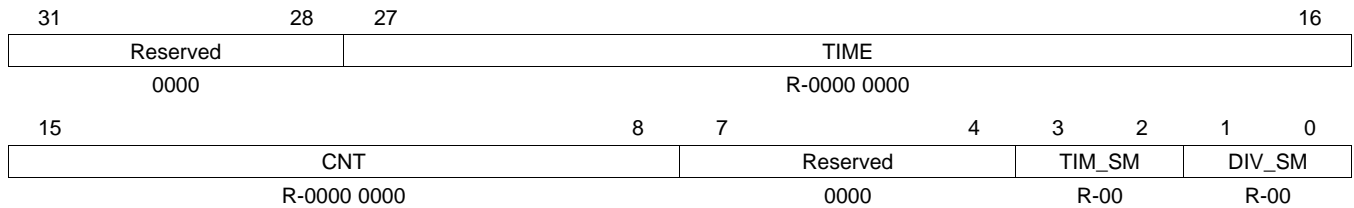
Table 19. TPCFG Register Field Descriptions

Bit	Field	Value	Description
31-28	Reserved		Reserved
27-16	TIME_CFG		Time delay configuration value
15-8	CNT_CFG		Divide by N configuration value
7-4	Reserved		Reserved
3	TU	0 1	Write-only bit; reads return 0 N/A Enables writes to TIME_CFG
2	CU	0 1	Write-only bit; reads return 0 N/A Enables writes to CNT_CFG
1	TR	0 1	Write-only bit; reads return 0 N/A Resets the timer counter
0	CR	0 1	Write-only bit; reads return 0 N/A Resets the divide by N count

3.3.2 TPSTAT Registers

There are eight TPSTAT registers (TPSTAT0 through TPSTAT7), one per transmit event. This register configuration is common to all C64x+mega modules. The TPSTAT register details are shown in [Figure 27](#) and described in [Table 20](#).

Figure 27. TPSTAT Register



LEGEND: R/W = Read/Write; R = Read only; -n = value after reset

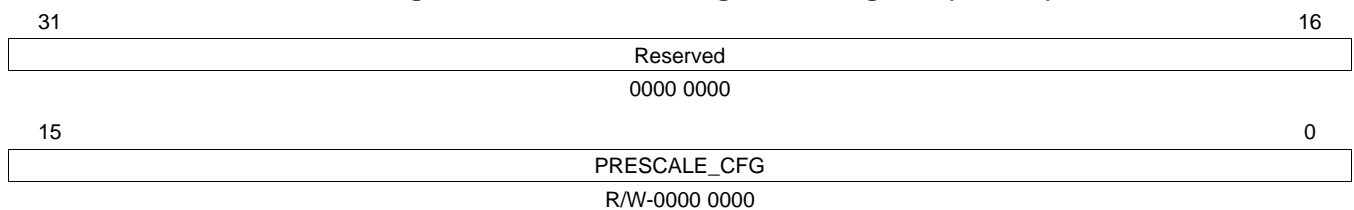
Table 20. TPSTAT Register Field Descriptions

Bit	Field	Value	Description
31-28	Reserved		Reserved
27-16	TIME		Current time delay value
15-8	CNT		Current divide by N value
7-4	Reserved		Reserved
3-2	TIM_SM		Time delay SM
		00	Time delay SM in WAITING state
		01	Time delay SM in DELAY state
		10	Time delay SM in OUTPUT state
		11	Reserved
1-0	DIV_SM		Divide by N SM
		00	Divide by N SM in WAITING state
		01	Divide by N SM in DELAY state
		10	Divide by N SM in OUTPUT state
		11	Reserved

3.4 Prescaler Configuration Register (PSCFG)

There is a single PSCFG register for the wrapper. It contains the reload value for the prescaler configuration value. The PSCFG register is shown in [Figure 28](#).

Figure 28. Prescaler Configuration Register (PSCFG)



LEGEND: R/W = Read/Write; R = Read only; -n = value after reset

4 MDIO Registers

4.1 Introduction

Table 21 lists the memory-mapped registers for the Management Data Input/Output (MDIO). For the memory address of these registers, see the *TMS320TCI6486 Communications Infrastructure Digital Signal Processor* data manual ([SPRS300](#)) or the *TMS320C6472 Fixed-Point Digital Signal Processor* data manual ([SPRS612](#)).

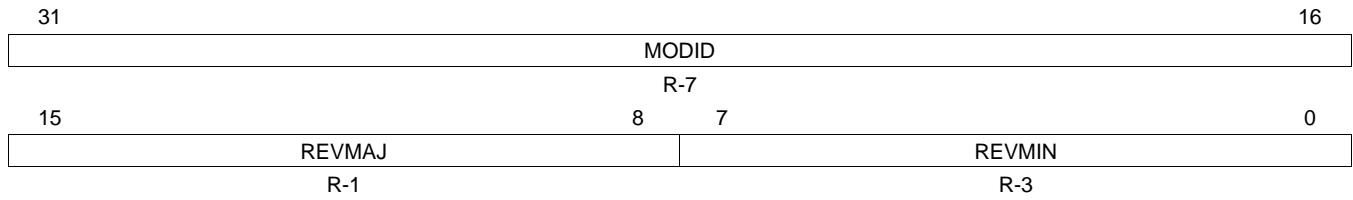
Table 21. Management Data Input/Output (MDIO) Registers

Offset	Acronym	Register Description	See
0h	VERSION	MDIO Version Register	Section 4.2
4h	CONTROL	MDIO Control Register	Section 4.3
8h	ALIVE	PHY Alive Status register	Section 4.4
Ch	LINK	PHY Link Status Register	Section 4.5
10h	LINKINTRAW	MDIO Link Status Change Interrupt (Unmasked) Register	Section 4.6
14h	LINKINTMASKED	MDIO Link Status Change Interrupt (Masked) Register	Section 4.7
20h	USERINTRAW	MDIO User Command Complete Interrupt (Unmasked) Register	Section 4.8
24h	USERINTMASKED	MDIO User Command Complete Interrupt (Masked) Register	Section 4.9
28h	USERINTMASKSET	MDIO User Command Complete Interrupt Mask Set Register	Section 4.10
2Ch	USERINTMASKCLEAR	MDIO User Command Complete Interrupt Mask Clear Register	Section 4.11
80h	USERACCESS0	MDIO User Access Register 0	Section 4.12
84h	USERPHYSEL0	MDIO User PHY Select Register 0	Section 4.13
88h	USERACCESS1	MDIO User Access Register 1	Section 4.14
8Ch	USERPHYSEL1	MDIO User PHY Select Register 1	Section 4.15

4.2 MDIO Version Register (VERSION)

The MDIO version register (VERSION) is shown in [Figure 29](#) and described in [Table 22](#).

Figure 29. MDIO Version Register (VERSION)



LEGEND: R = Read only; R/W = Read/Write; -n = value after reset

Table 22. MDIO Version Register (VERSION) Field Descriptions

Bit	Field	Value	Description
31-16	MODID		Identifies the type of peripheral
15-8	REVMAJ		Management Interface Module major revision value
7-0	REVMIN		Management Interface Module minor revision value

4.3 MDIO Control Register (CONTROL)

The MDIO control register (CONTROL) is shown in [Figure 30](#) and described in [Table 23](#).

Figure 30. MDIO Control Register (CONTROL)

31	30	29	28	24	23	21	20	19	18	17	16	
IDLE	ENABLE	Reserved	HIGHEST_USER_CHANNEL	Reserved			PREAMBLE	FAULT	FAULT ENB	Reserved		
R-1	R/W-0	R-0	R-1	R-0			R/W-0	R/WC-0	R/W-0	R-0		
											15	
											CLKDIV	
											R/W-255	
											0	

LEGEND: R/W = Read/Write; R = Read only; -n = value after reset

Table 23. MDIO Control Register (CONTROL) Field Descriptions

Bit	Field	Value	Description
31	IDLE		State machine IDLE status bit
		0	State machine is not in idle state
		1	State machine is in idle state
30	ENABLE		State machine enable control bit. If the MDIO state machine is active at the time it is disabled, it will complete the current operation before halting and setting the idle bit.
		0	Disables the MDIO state machine
		1	Enable the MDIO state machine
29	Reserved	0	Reserved
28-24	HIGHEST_USER_CHANNEL		Highest user channel that is available in the module. It is currently set to 1. This implies that MDIOUserAccess1 is the highest available user access channel.
23-21	Reserved	0	Reserved
20	PREAMBLE		Preamble disable
		0	Standard MDIO preamble is used
		1	Disables this device from sending MDIO frame preambles
19	FAULT		Fault indicator. This bit is set to 1 if the MDIO pins fail to read back what the device is driving onto them. This indicates a physical layer fault and the module state machine is reset. Writing a 1 to it clears this bit.
		0	No failure
		1	Physical layer fault; the MDIO state machine is reset
18	FAULTENB		Fault detect enable. This bit has to be set to 1 to enable the physical layer fault detection.
		0	Disables the physical layer fault detection
		1	Enables the physical layer fault detection
17-16	Reserved	0	Reserved
15-0	CLKDIV		Clock Divider bits. This field specifies the division ratio between peripheral bus peripheral clock and the frequency of MDCLK. MDCLK is disabled when CLKDIV is set to 0. MDCLK frequency = peripheral clock frequency/(CLKDIV + 1).

4.4 PHY Acknowledge Status Register (ALIVE)

The PHY acknowledge status register (ALIVE) is shown in [Figure 31](#) and described in [Table 24](#).

Figure 31. PHY Acknowledge Status Register (ALIVE)

31	ALIVE	16
	R/WC-0	
15	ALIVE	0
	R/WC-0	

LEGEND: R/W = Read/Write; R/WC = Read/Write 1 to clear; -n = value after reset

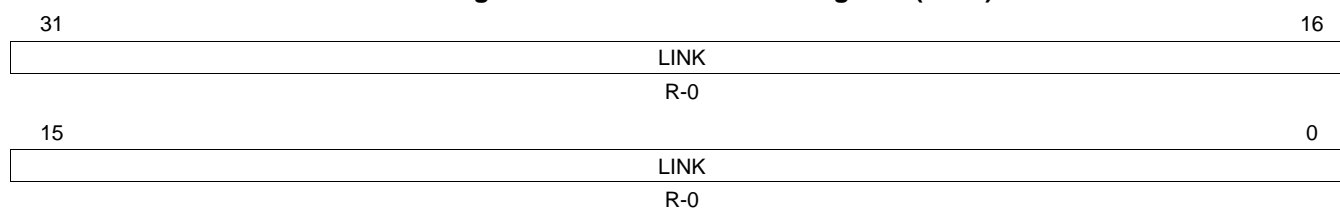
Table 24. PHY Acknowledge Status Register (ALIVE) Field Descriptions

Bit	Field	Value	Description
31-0	ALIVE		MDIO Alive bits. Each of the 32 bits of this register is set if the most recent access to the PHY with address corresponding to the register bit number was acknowledged by the PHY; the bit is reset if the PHY fails to acknowledge the access. Both the user and polling accesses to a PHY will cause the corresponding alive bit to be updated. The alive bits are only meant to be used to give an indication of the presence or not of a PHY with the corresponding address. Writing a 1 to any bit will clear it, writing a 0 has no effect.
		0	The PHY fails to acknowledge the access.
		1	The most recent access to the PHY with an address corresponding to the register bit number was acknowledged by the PHY.

4.5 PHY Link Status Register (LINK)

The PHY link status register (LINK) is shown in [Figure 32](#) and described in [Table 25](#).

Figure 32. PHY Link Status Register (LINK)



LEGEND: R = Read only; -n = value after reset

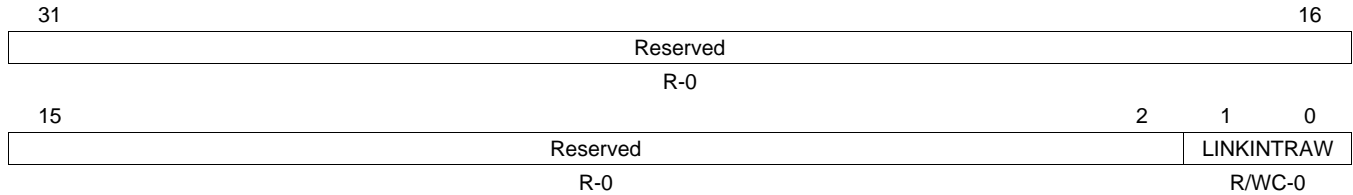
Table 25. PHY Link Status Register (LINK) Field Descriptions

Bit	Field	Value	Description
31-0	LINK		MDIO Link state bits. This register is updated after a read of the Generic Status Register of a PHY. The bit is set if the PHY with the corresponding address has link and the PHY acknowledges the read transaction. The bit is reset if the PHY indicates it does not have a link or fails to acknowledge the read transaction. Writes to the register have no effect.
		0	The PHY indicates it does not have a link or fails to acknowledge the read transaction
		1	The PHY with the corresponding address has a link and the PHY acknowledges the read transaction

4.6 MDIO Link Status Change Interrupt (Unmasked) Register (LINKINTRAW)

The MDIO link status change interrupt (unmasked) register (LINKINTRAW) is shown in [Figure 33](#) and described in [Table 26](#).

Figure 33. MDIO Link Status Change Interrupt (Unmasked) Register (LINKINTRAW)



LEGEND: R = Read only; R/WC = Read/Write 1 to clear; -n = value after reset

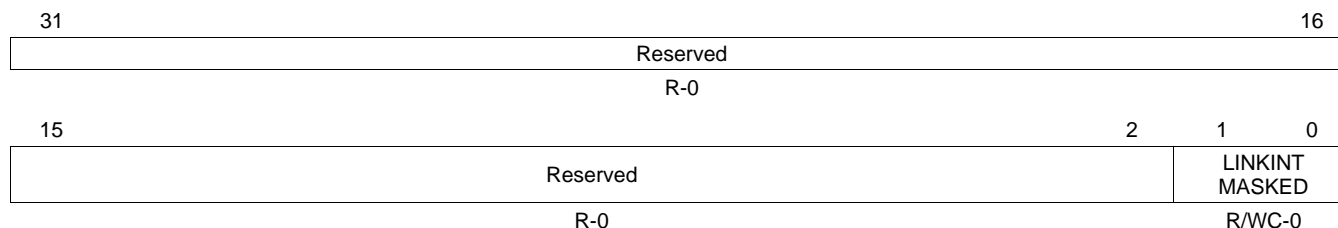
Table 26. MDIO Link Status Change Interrupt (Unmasked) Register (LINKINTRAW) Field Descriptions

Bit	Field	Value	Description
31-2	Reserved	0	Reserved
1-0	LINKINTRAW		MDIO Link change event, raw value. When asserted, a bit indicates that there was an MDIO link change event (a change in the LINK register) corresponding to the PHY address in the USERPHYSEL register. LINKINTRAW[0] and LINKINTRAW[1] correspond to USERPHYSEL0 and USERPHYSEL1, respectively. Writing a 1 will clear the event and writing 0 has no effect.

4.7 MDIO Link Status Change Interrupt (Masked) Register (LINKINTMASKED)

The MDIO link status change interrupt (masked) register (LINKINTMASKED) is shown in [Figure 34](#) and described in [Table 27](#).

Figure 34. MDIO Link Status Change Interrupt (Masked) Register (LINKINTMASKED)



LEGEND: R = Read only; R/WC = Read/Write 1 to clear; -n = value after reset

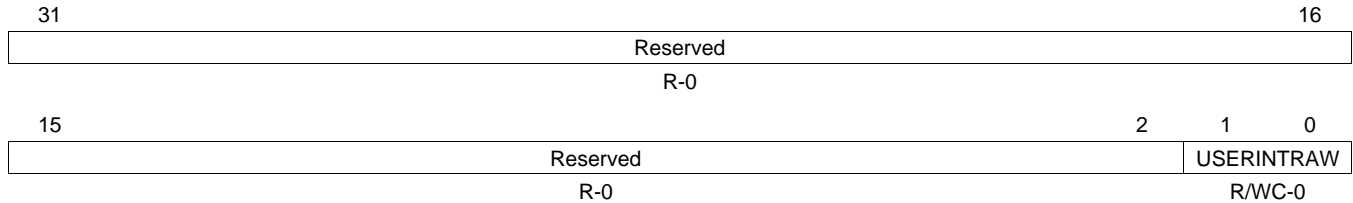
Table 27. MDIO Link Status Change Interrupt (Masked) Register (LINKINTMASKED) Field Descriptions

Bit	Field	Value	Description
31-2	Reserved	0	Reserved
1-0	LINKINTMASKED		MDIO Link change interrupt, masked value. When asserted, a bit indicates that there was an MDIO link change event (a change in the LINK register) corresponding to the PHY address in the USERPHYSEL register and the corresponding LINKINTENB bit was set. LINKINTRAW[0] and LINKINTRAW[1] correspond to USERPHYSEL0 and USERPHYSEL1, respectively. Writing a 1 will clear the event and writing 0 has no effect.

4.8 MDIO User Command Complete Interrupt (Unmasked) Register (USERINTRAW)

The MDIO user command complete interrupt (unmasked) register (USERINTRAW) is shown in [Figure 35](#) and described in [Table 28](#).

Figure 35. MDIO User Command Complete Interrupt (Unmasked) Register (USERINTRAW)



LEGEND: R = Read only; R/WC = Read/Write 1 to clear; -n = value after reset

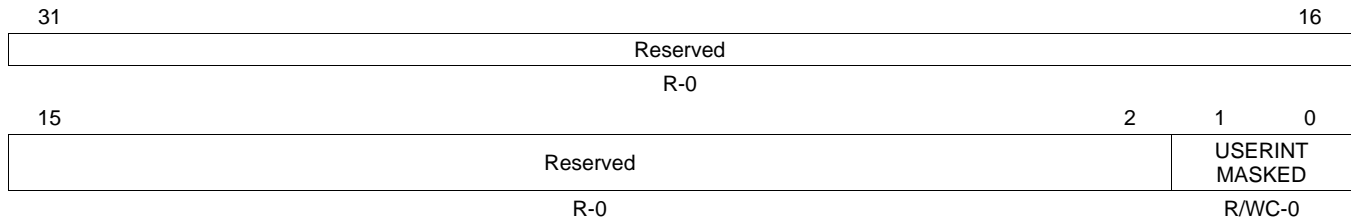
Table 28. MDIO User Command Complete Interrupt (Unmasked) Register (USERINTRAW) Field Descriptions

Bit	Field	Value	Description
31-2	Reserved	0	Reserved
1-0	USERINTRAW		MDIO User command complete event bits. When asserted, a bit indicates that the previously scheduled PHY read or write command using that particular USERACCESS register has completed. Writing a 1 will clear the event and writing 0 has no effect.

4.9 MDIO User Command Complete Interrupt (Masked) Register (USERINTMASKED)

The MDIO user command complete interrupt (masked) register (USERINTMASKED) is shown in [Figure 36](#) and described in [Table 29](#).

Figure 36. MDIO User Command Complete Interrupt (Masked) Register (USERINTMASKED)



LEGEND: R = Read only; R/WC = Read/Write 1 to clear; -n = value after reset

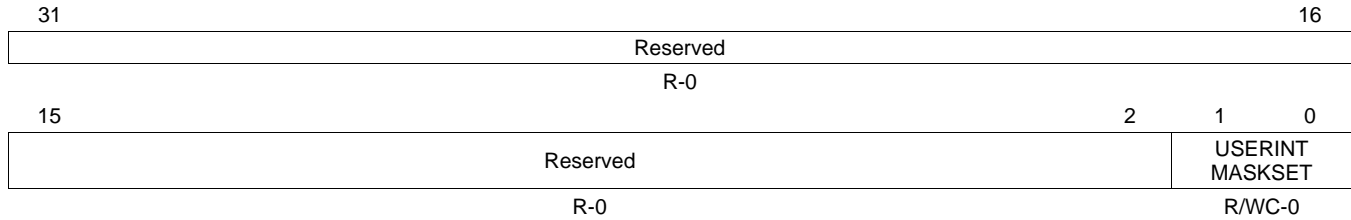
Table 29. MDIO User Command Complete Interrupt (Masked) Register (USERINTMASKED) Field Descriptions

Bit	Field	Value	Description
31-2	Reserved	0	Reserved
1-0	USERINTMASKED		Masked value of MDIO User command complete interrupt. When asserted, a bit indicates that the previously scheduled PHY read or write command using that particular USERACCESS register has completed and the corresponding USERINTMASKSET bit is set to 1. Writing a 1 will clear the interrupt and writing 0 has no effect.

4.10 MDIO User Command Complete Interrupt Mask Set Register (USERINTMASKSET)

The MDIO user command complete interrupt mask set register (USERINTMASKSET) is shown in [Figure 37](#) and described in [Table 30](#).

Figure 37. MDIO User Command Complete Interrupt Mask Set Register (USERINTMASKSET)



LEGEND: R = Read only; R/WC = Read/Write 1 to clear; -n = value after reset

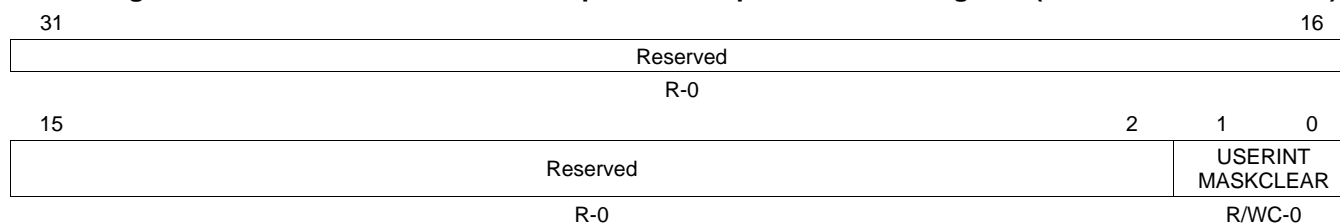
Table 30. MDIO User Command Complete Interrupt Mask Set Register (USERINTMASKSET) Field Descriptions

Bit	Field	Value	Description
31-2	Reserved	0	Reserved
1-0	USERINTMASKSET		MDIO user interrupt mask set for USERINTMASKED[1:0] respectively. Setting a bit to 1 will enable MDIO user command complete interrupts for that particular USERACCESS register. MDIO user interrupt for a particular USERACCESS register is disabled if the corresponding bit is 0. Writing a 0 to this register has no effect.

4.11 MDIO User Command Complete Interrupt Mask Clear Register (USERINTMASKCLEAR)

The MDIO user command complete interrupt mask clear register (USERINTMASKCLEAR) is shown in Figure 38 and described in Table 31.

Figure 38. MDIO User Command Complete Interrupt Mask Clear Register (USERINTMASKCLEAR)



LEGEND: R = Read only; R/WC = Read/Write 1 to clear; -n = value after reset

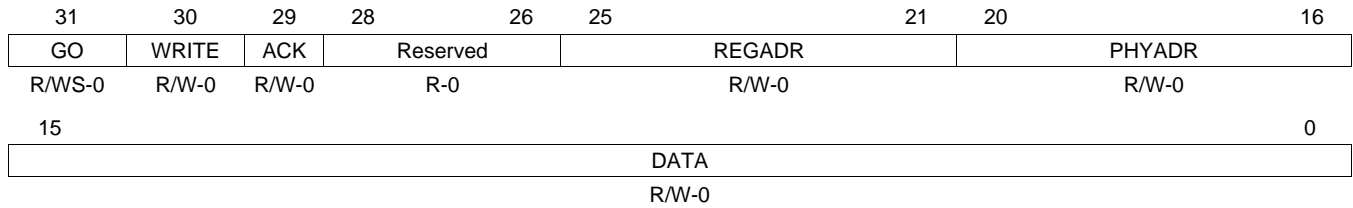
Table 31. MDIO User Command Complete Interrupt Mask Clear Register (USERINTMASKCLEAR) Field Descriptions

Bit	Field	Value	Description
31-2	Reserved	0	Reserved
1-0	USERINTMASKCLEAR		MDIO user command complete interrupt mask clear for USERINTMASKED[1:0] respectively. Setting a bit to 1 will disable further user command complete interrupts for that particular USERACCESS register. Writing a 0 to this register has no effect.

4.12 MDIO User Access Register 0 (USERACCESS0)

The MDIO user access register 0 (USERACCESS0) is shown in [Figure 39](#) and described in [Table 32](#).

Figure 39. MDIO User Access Register 0 (USERACCESS0)



LEGEND: R = Read only; R/W = Read/Write; R/WS = Read/Write 1 to set; -n = value after reset

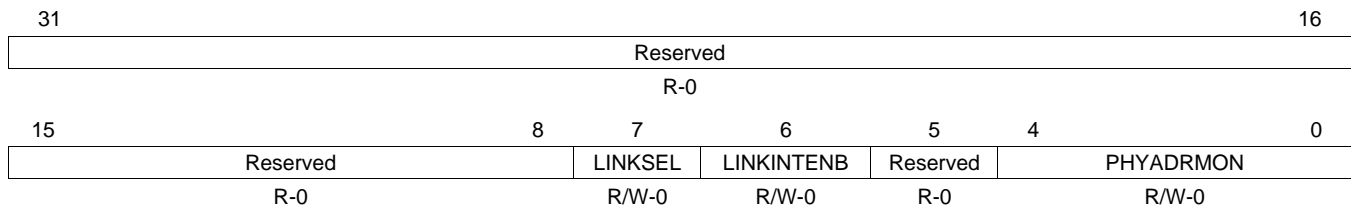
Table 32. MDIO User Access Register 0 (USERACCESS0) Field Descriptions

Bit	Field	Value	Description
31	GO		Go bit. Writing a 1 to this bit causes the MDIO state machine to perform an MDIO access when it is convenient for it to do so; this is not an instantaneous process. Writing a 0 to this bit has no effect. This bit is writeable only if the MDIO state machine is enabled. This bit will self clear when the requested access has been completed. Any writes to the USERACCESS0 register are blocked when the GO bit is 1.
30	WRITE	0 1	Write enable bit. Setting this bit to a 1 causes the MDIO transaction to be a register write, otherwise it is a register read. The user command is a read operation The user command is a write operation
29	ACK		Acknowledge bit. This bit is set if the PHY acknowledged the read transaction.
28-26	Reserved	0	Reserved
25-21	REGADR		Register address bits. This field specifies the PHY register to be accessed for this transaction.
20-16	PHYADR		PHY address bits. This field specifies the PHY to be accessed for this transaction.
15-0	DATA		User data bits. These bits specify the data value read from or to be written to the specified PHY register.

4.13 MDIO User PHY Select Register 0 (USERPHYSEL0)

The MDIO user PHY select register 0 (USERPHYSEL0) is shown in [Figure 40](#) and described in [Table 33](#).

Figure 40. MDIO User PHY Select Register 0 (USERPHYSEL0)



LEGEND: R = Read only; R/W = Read/Write; -n = value after reset

Table 33. MDIO User PHY Select Register 0 (USERPHYSEL0) Field Descriptions

Bit	Field	Value	Description
31-8	Reserved	0	Reserved
7	LINKSEL		Link status determination select bit. Default value is 0, which implies that the link status is determined by the MDIO state machine. This is the only option supported on this device.
6	LINKINTENB	0	Link change interrupts are disabled
		1	Link change status interrupts for PHY address specified in PHYADDRMON bits are enabled
5	Reserved	0	Reserved
4-0	PHYADRMON		PHY address whose link status is to be monitored.

4.14 MDIO User Access Register 1 (USERACCESS1)

The MDIO user access register 1 (USERACCESS1) is shown in [Figure 41](#) and described in [Table 34](#).

Figure 41. MDIO User Access Register 1 (USERACCESS1)

31	30	29	28	26	25	21	20	16
GO	WRITE	ACK	Reserved	REGADR		PHYADR		
R/WS-0	R/W-0	R/W-0	R-0	R/W-0		R/W-0		
15								0
DATA								
R/W-0								

LEGEND: R = Read only; R/W = Read/Write; R/WS = Read/Write 1 to set; -n = value after reset

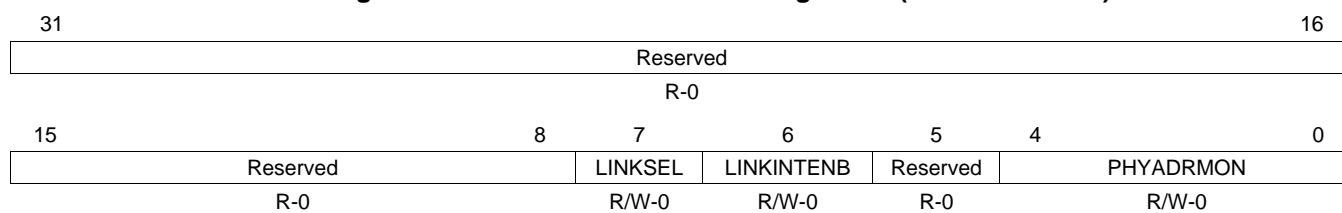
Table 34. MDIO User Access Register 1 (USERACCESS1) Field Descriptions

Bit	Field	Value	Description
31	GO		Go bit. Writing a 1 to this bit causes the MDIO state machine to perform an MDIO access when it is convenient for it to do so, this is not an instantaneous process. Writing a 0 to this bit has no effect. This bit is write-able only if the MDIO state machine is enabled. This bit will self clear when the requested access has been completed. Any writes to the USERACCESS0 register are blocked when the go bit is 1.
30	WRITE	0 1	Write enable bit. Setting this bit to a 1 causes the MDIO transaction to be a register write, otherwise it is a register read. The user command is a read operation The user command is a write operation
29	ACK		Acknowledge bit. This bit is set if the PHY acknowledged the read transaction.
28-26	Reserved	0	Reserved
25-21	REGADR		Register address bits. This field specifies the PHY register to be accessed for this transaction.
20-16	PHYADR		PHY address bits. This field specifies the PHY to be accessed for this transaction.
15-0	DATA		User data bits. These bits specify the data value read from or to be written to the specified PHY register.

4.15 MDIO User PHY Select Register 1 (USERPHYSEL1)

The MDIO user PHY select register 1 (USERPHYSEL1) is shown in [Figure 42](#) and described in [Table 35](#).

Figure 42. MDIO User PHY Select Register 1 (USERPHYSEL1)



LEGEND: R/W = Read/Write; R = Read only; -n = value after reset

Table 35. MDIO User PHY Select Register 1 (USERPHYSEL1) Field Descriptions

Bit	Field	Value	Description
31-8	Reserved	0	Reserved
7	LINKSEL		Link status determination select bit. Default value is 0, which implies that the link status is determined by the MDIO state machine. This is the only option supported on this device.
6	LINKINTENB	0	Link change interrupt enable. Set to 1 to enable link change status interrupts for PHY address specified in PHYADRMON. Link change interrupts are disabled if this bit is set to 0.
		1	Link change interrupts are disabled
		1	Link change status interrupts for PHY address specified in PHYADRMON bits are enabled
5	Reserved	0	Reserved
4-0	PHYADRMON		PHY address whose link status is to be monitored.

5 EMAC Port Registers

Table 36 lists the memory-mapped registers for the Ethernet Media Access Controller (EMAC). For the memory address of these registers, see the *TMS320TCI6486 Communications Infrastructure Digital Signal Processor* data manual ([SPRS300](#)) or the *TMS320C6472 Fixed-Point Digital Signal Processor* data manual ([SPRS612](#)).

Table 36. Ethernet Media Access Controller (EMAC) Registers

Offset	Acronym	Register Description	See
0h	TXIDVER	Transmit Identification and Version Register	Section 5.1
4h	TXCONTROL	Transmit Control Register	Section 5.2
8h	TXTEARDOWN	Transmit Teardown Register	Section 5.3
10h	RXIDVER	Receive Identification and Version Register	Section 5.4
14h	RXCONTROL	Receive Control Register	Section 5.5
18h	RXTEARDOWN	Receive Teardown Register	Section 5.6
80h	TXINTSTATRAW	Transmit Interrupt Status (Unmasked) Register	Section 5.7
84h	TXINTSTATMASKED	Transmit Interrupt Status (Masked) Register	Section 5.8
88h	TXINTMASKSET	Transmit Interrupt Mask Set Register	Section 5.9
8Ch	TXINTMASKCLEAR	Transmit Interrupt Clear Register	Section 5.10
90h	MACINVECTOR	MAC Input Vector Register	Section 5.11
94h	MACEOIVECTOR	MAC End-of-Interrupt Vector Register	Section 5.12
A0h	RXINTSTATRAW	Receive Interrupt Status (Unmasked) Register	Section 5.13
A4h	RXINTSTATMASKED	Receive Interrupt Status (Masked) Register	Section 5.14
A8h	RXINTMASKSET	Receive Interrupt Mask Set Register	Section 5.15
ACh	RXINTMASKCLEAR	Receive Interrupt Mask Clear Register	Section 5.16
B0h	MACINTSTATRAW	MAC Interrupt Status (Unmasked) Register	Section 5.17
B4h	MACINTSTATMASKED	MAC Interrupt Status (Masked) Register	Section 5.18
B8h	MACINTMASKSET	MAC Interrupt Mask Set Register	Section 5.19
BCh	MACINTMASKCLEAR	MAC Interrupt Mask Clear Register	Section 5.20
100h	RXMBPENABLE	Receive Multicast/Broadcast/Promiscuous Channel Enable Register	Section 5.21
104h	RXUNICASTSET	Receive Unicast Enable Set Register	Section 5.22
108h	RXUNICASTCLEAR	Receive Unicast Clear Register	Section 5.23
10Ch	RXMAXLEN	Receive Maximum Length Register	Section 5.24
110h	RXBUFFEROFFSET	Receive Buffer Offset Register	Section 5.25
114h	RXFILTERLOWTHRESH	Receive Filter Low Priority Frame Threshold Register	Section 5.26
120h	RX0FLOWTHRESH	Receive Channel 0 Flow Control Threshold Register	Section 5.27
124h	RX1FLOWTHRESH	Receive Channel 1 Flow Control Threshold Register	Section 5.27
128h	RX2FLOWTHRESH	Receive Channel 2 Flow Control Threshold Register	Section 5.27
12Ch	RX3FLOWTHRESH	Receive Channel 3 Flow Control Threshold Register	Section 5.27
130h	RX4FLOWTHRESH	Receive Channel 4 Flow Control Threshold Register	Section 5.27
134h	RX5FLOWTHRESH	Receive Channel 5 Flow Control Threshold Register	Section 5.27
138h	RX6FLOWTHRESH	Receive Channel 6 Flow Control Threshold Register	Section 5.27
13Ch	RX7FLOWTHRESH	Receive Channel 7 Flow Control Threshold Register	Section 5.27
140h	RX0FREEBUFFER	Receive Channel 0 Free Buffer Count Register	Section 5.28
144h	RX1FREEBUFFER	Receive Channel 1 Free Buffer Count Register	Section 5.28
148h	RX2FREEBUFFER	Receive Channel 2 Free Buffer Count Register	Section 5.28
14Ch	RX3FREEBUFFER	Receive Channel 3 Free Buffer Count Register	Section 5.28
150h	RX4FREEBUFFER	Receive Channel 4 Free Buffer Count Register	Section 5.28
154h	RX5FREEBUFFER	Receive Channel 5 Free Buffer Count Register	Section 5.28
158h	RX6FREEBUFFER	Receive Channel 6 Free Buffer Count Register	Section 5.28

Table 36. Ethernet Media Access Controller (EMAC) Registers (continued)

Offset	Acronym	Register Description	See
15Ch	RX7FREEBUFFER	Receive Channel 7 Free Buffer Count Register	Section 5.28
160h	MACCONTROL	MAC Control Register	Section 5.29
164h	MACSTATUS	MAC Status Register	Section 5.30
168h	EMCONTROL	Emulation Control Register	Section 5.31
16Ch	FIFOCONTROL	FIFO Control Register	Section 5.32
170h	MACCONFIG	MAC Configuration Register	Section 5.33
174h	SOFTRESET	Soft Reset Register	Section 5.34
1D0h	MACSRCADDRLO	MAC Source Address Low Bytes Register	Section 5.35
1D4h	MACSRCADDRHI	MAC Source Address High Bytes Register	Section 5.36
1D8h	MACHASH1	MAC Hash Address Register 1	Section 5.37
1DCh	MACHASH2	MAC Hash Address Register 2	Section 5.38
1E0h	BOFFTEST	Back Off Test Register	Section 5.39
1E4h	TPACETEST	Transmit Pacing Algorithm Test Register	Section 5.40
1E8h	RXPAUSE	Receive Pause Timer Register	Section 5.41
1ECh	TXPAUSE	Transmit Pause Timer Register	Section 5.42
500h	MACADDRLO	MAC Address Low Bytes Register, Used in Receive Address Matching	Section 5.43
504h	MACADDRHI	MAC Address High Bytes Register, Used in Receive Address Matching	Section 5.44
508h	MACINDEX	MAC Index Register	Section 5.45
600h	TX0HDP	Transmit Channel 0 DMA Head Descriptor Pointer Register	Section 5.46
604h	TX1HDP	Transmit Channel 1 DMA Head Descriptor Pointer Register	Section 5.46
608h	TX2HDP	Transmit Channel 2 DMA Head Descriptor Pointer Register	Section 5.46
60Ch	TX3HDP	Transmit Channel 3 DMA Head Descriptor Pointer Register	Section 5.46
610h	TX4HDP	Transmit Channel 4 DMA Head Descriptor Pointer Register	Section 5.46
614h	TX5HDP	Transmit Channel 5 DMA Head Descriptor Pointer Register	Section 5.46
618h	TX6HDP	Transmit Channel 6 DMA Head Descriptor Pointer Register	Section 5.46
61Ch	TX7HDP	Transmit Channel 7 DMA Head Descriptor Pointer Register	Section 5.46
620h	RX0HDP	Receive Channel 0 DMA Head Descriptor Pointer Register	Section 5.47
624h	RX1HDP	Receive Channel 1 DMA Head Descriptor Pointer Register	Section 5.47
628h	RX2HDP	Receive Channel 2 DMA Head Descriptor Pointer Register	Section 5.47
62Ch	RX3HDP	Receive Channel 3 DMA Head Descriptor Pointer Register	Section 5.47
630h	RX4HDP	Receive Channel 4 DMA Head Descriptor Pointer Register	Section 5.47
634h	RX5HDP	Receive Channel 5 DMA Head Descriptor Pointer Register	Section 5.47
638h	RX6HDP	Receive Channel 6 DMA Head Descriptor Pointer Register	Section 5.47
63Ch	RX7HDP	Receive Channel 7 DMA Head Descriptor Pointer Register	Section 5.47
640h	TX0CP	Transmit Channel 0 Completion Pointer (Interrupt Acknowledge) Register	Section 5.48
644h	TX1CP	Transmit Channel 1 Completion Pointer (Interrupt Acknowledge) Register	Section 5.48
648h	TX2CP	Transmit Channel 2 Completion Pointer (Interrupt Acknowledge) Register	Section 5.48
64Ch	TX3CP	Transmit Channel 3 Completion Pointer (Interrupt Acknowledge) Register	Section 5.48
650h	TX4CP	Transmit Channel 4 Completion Pointer (Interrupt Acknowledge) Register	Section 5.48
654h	TX5CP	Transmit Channel 5 Completion Pointer (Interrupt Acknowledge) Register	Section 5.48
658h	TX6CP	Transmit Channel 6 Completion Pointer (Interrupt Acknowledge) Register	Section 5.48

Table 36. Ethernet Media Access Controller (EMAC) Registers (continued)

Offset	Acronym	Register Description	See
65Ch	TX7CP	Transmit Channel 7 Completion Pointer (Interrupt Acknowledge) Register	Section 5.48
660h	RX0CP	Receive Channel 0 Completion Pointer (Interrupt Acknowledge) Register	Section 5.49
664h	RX1CP	Receive Channel 1 Completion Pointer (Interrupt Acknowledge) Register	Section 5.49
668h	RX2CP	Receive Channel 2 Completion Pointer (Interrupt Acknowledge) Register	Section 5.49
66Ch	RX3CP	Receive Channel 3 Completion Pointer (Interrupt Acknowledge) Register	Section 5.49
670h	RX4CP	Receive Channel 4 Completion Pointer (Interrupt Acknowledge) Register	Section 5.49
674h	RX5CP	Receive Channel 5 Completion Pointer (Interrupt Acknowledge) Register	Section 5.49
678h	RX6CP	Receive Channel 6 Completion Pointer (Interrupt Acknowledge) Register	Section 5.49
67Ch	RX7CP	Receive Channel 7 Completion Pointer (Interrupt Acknowledge) Register	Section 5.49
Network Statistics Registers			
200h	RXGOODFRAMES	Good Receive Frames	Section 5.50.1
204h	RXBCASTFRAMES	Total number of good broadcast frames received	Section 5.50.2
208h	RXMCASTFRAMES	Total number of good multicast frames received	Section 5.50.3
20Ch	RXPAUSEFRAMES	Pause Receive Frames Register	Section 5.50.4
210h	RXCRCERRORS	Total number of frames received with CRC errors	Section 5.50.5
214h	RXALIGNCODEERRORS	Total number of frames received with alignment/code errors	Section 5.50.6
218h	RXOVERSIZED	Total number of oversized frames received	Section 5.50.7
21Ch	RXJABBER	Total number of jabber frames received	Section 5.50.8
220h	RXUNDERSIZED	Total number of undersized frames received	Section 5.50.9
224h	RXFRAGMENTS	Receive Frame Fragments Register	Section 5.50.10
228h	RXFILTERED	Filtered Receive Frames	Section 5.50.11
22Ch	RXQOSFILTERED	Received Frames Filtered by QOS	Section 5.50.12
230h	RXOCTETS	Total number of received bytes in good frames	Section 5.50.13
234h	TXGOODFRAMES	Total number of good frames transmitted	Section 5.50.14
238h	TXBCASTFRAMES	Broadcast Transmit Frames Register	Section 5.50.15
23Ch	TXMCASTFRAMES	Multicast Transmit Frames Register	Section 5.50.16
240h	TXPAUSEFRAMES	Pause Transmit Frames Register	Section 5.50.17
244h	TXDEFERRED	Deferred Transmit Frames Register	Section 5.50.18
248h	TXCOLLISION	Transmit Collision Frames Register	Section 5.50.19
24Ch	TXSINGLECOLL	Transmit Single Collision Frames Register	Section 5.50.20
250h	TXMULTICOLL	Transmit Multiple Collision Frames Register	Section 5.50.21
254h	TXEXCESSIVECOLL	Transmit Excessive Collision Frames Register	Section 5.50.22
258h	TXLATECOLL	Transmit Late Collision Frames Register	Section 5.50.23
25Ch	TXUNDERRUN	Transmit Underrun Error Register	Section 5.50.24
260h	TXCARRIERSENSE	Transmit Carrier Sense Errors Register	Section 5.50.25
264h	TXOCTETS	Transmit Octet Frames Register	Section 5.50.26
268h	FRAME64	Transmit and Receive 64 Octet Frames Register	Section 5.50.27
26Ch	FRAME65T127	Transmit and Receive 65 to 127 Octet Frames Register	Section 5.50.28
270h	FRAME128T255	Transmit and Receive 128 to 255 Octet Frames Register	Section 5.50.29
274h	FRAME256T511	Transmit and Receive 256 to 511 Octet Frames Register	Section 5.50.30
278h	FRAME512T1023	Transmit and Receive 512 to 1023 Octet Frames Register	Section 5.50.31

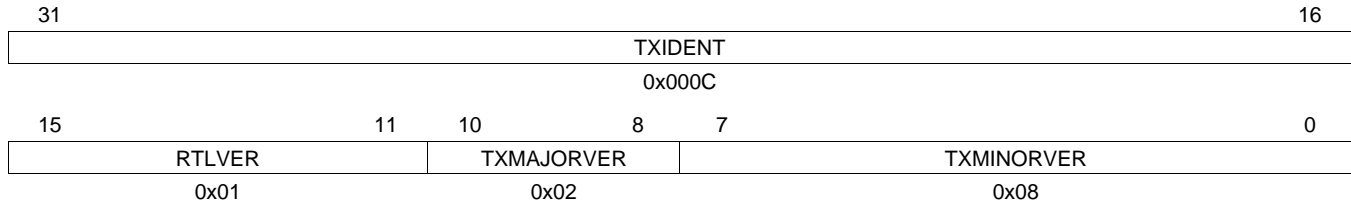
Table 36. Ethernet Media Access Controller (EMAC) Registers (continued)

Offset	Acronym	Register Description	See
27Ch	FRAME1024TUP	Transmit and Receive 1024 to RXMAXLEN Octet Frames Register	Section 5.50.32
280h	NETOCTETS	Network Octet Frames Register	Section 5.50.33
284h	RXSOFOVERRUNS	Receive FIFO or DMA Start-of-Frame Overruns Register	Section 5.50.34
288h	RXMOFOVERRUNS	Receive FIFO or DMA Middle-of-Frame Overruns Register	Section 5.50.35
28Ch	RXDMAOVERRUNS	Receive DMA Start-of-Frame and Middle-of-Frame Overruns Register	Section 5.50.36

5.1 Transmit Identification and Version Register (TXIDVER)

The transmit identification and version register (TXIDVER) is shown in [Figure 43](#) and described in [Table 37](#).

Figure 43. Transmit Identification and Version Register (TXIDVER)



LEGEND: R = Read only; -n = value after reset

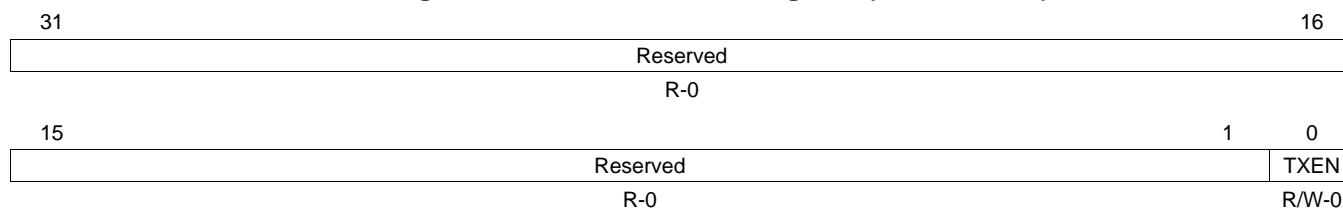
Table 37. Transmit Identification and Version Register (TXIDVER) Field Descriptions

Bit	Field	Value	Description
31-16	TXIDENT		Transmit identification value
15-11	RTLVER		RTL version value
10-8	TXMAJORVER		Transmit major version value
7-0	TXMINORVER		Transmit minor version value

5.2 Transmit Control Register (TXCONTROL)

The transmit control register (TXCONTROL) is shown in [Figure 44](#) and described in [Table 38](#).

Figure 44. Transmit Control Register (TXCONTROL)



LEGEND: R/W = Read/Write; R = Read only; -n = value after reset

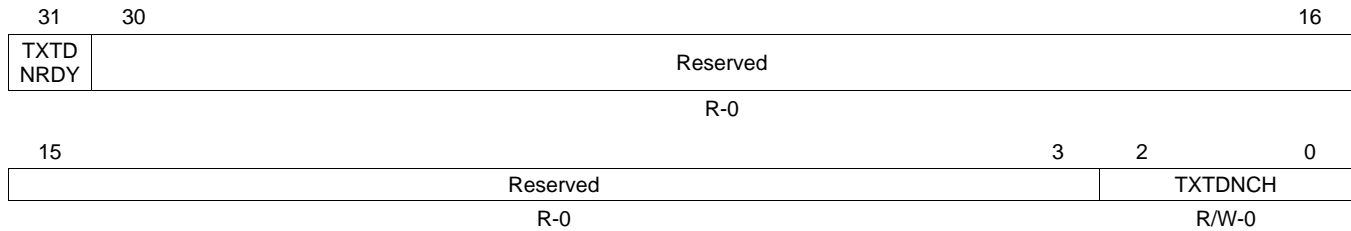
Table 38. Transmit Control Register (TXCONTROL) Field Descriptions

Bit	Field	Value	Description
31-1	Reserved	0	Reserved
0	TXEN	0	Transmit enable Transmit is disabled
		1	Transmit is enabled

5.3 Transmit Teardown Register (TXTEARDOWN)

The transmit teardown register (TXTEARDOWN) is shown in [Figure 45](#) and described in [Table 39](#).

Figure 45. Transmit Teardown Register (TXTEARDOWN)



LEGEND: R/W = Read/Write; R = Read only; -n = value after reset

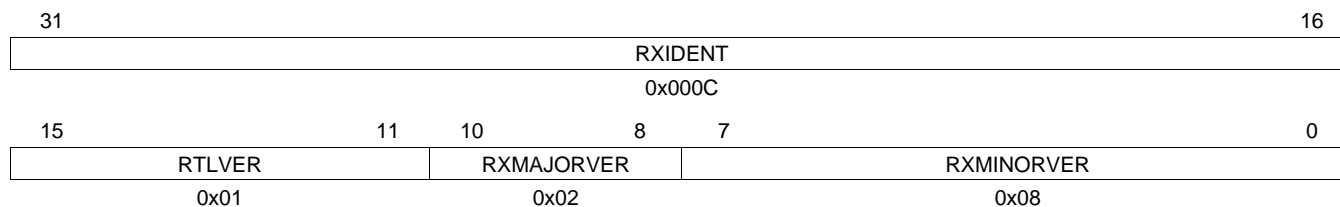
Table 39. Transmit Teardown Register (TXTEARDOWN) Field Descriptions

Bit	Field	Value	Description
31	TXTDNRDY	0	Transmit teardown ready. Read as zero, but is always assumed to be one (unused).
30-3	Reserved	0	Reserved
2-0	TXTDNCH		Transmit teardown channel. The transmit teardown channel is commanded by writing the encoded value of the transmit channel to be torn down. The teardown register is read as zero.
		0	Teardown transmit channel 0
		1h	Teardown transmit channel 1
		2h	Teardown transmit channel 2
		3h	Teardown transmit channel 3
		4h	Teardown transmit channel 4
		5h	Teardown transmit channel 5
		6h	Teardown transmit channel 6
		7h	Teardown transmit channel 7

5.4 Receive Identification and Version Register (RXIDVER)

The receive identification and version register (RXIDVER) is shown in [Figure 46](#) and described in [Table 40](#).

Figure 46. Receive Identification and Version Register (RXIDVER)



LEGEND: R = Read only; -n = value after reset

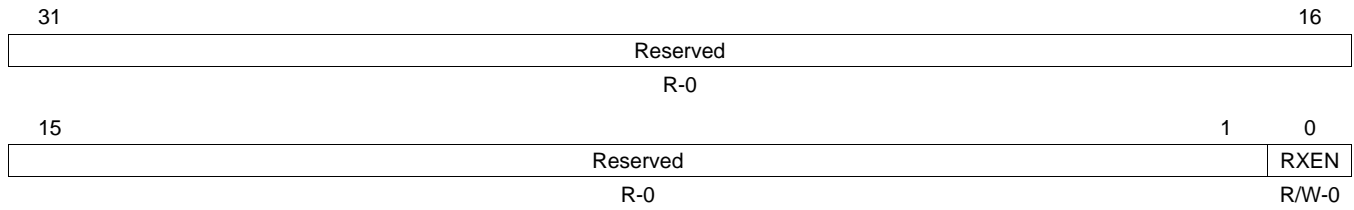
Table 40. Receive Identification and Version Register (RXIDVER) Field Descriptions

Bit	Field	Value	Description
31-16	RXIDENT		Receive identification value
15-11	RTLVER		RTL version value
10-8	RXMAJORVER		Receive major version value
7-0	RXMINORVER		Receive minor version value

5.5 Receive Control Register (RXCONTROL)

The receive control register (RXCONTROL) is shown in [Figure 47](#) and described in [Table 41](#).

Figure 47. Receive Control Register (RXCONTROL)



LEGEND: R/W = Read/Write; R = Read only; -n = value after reset

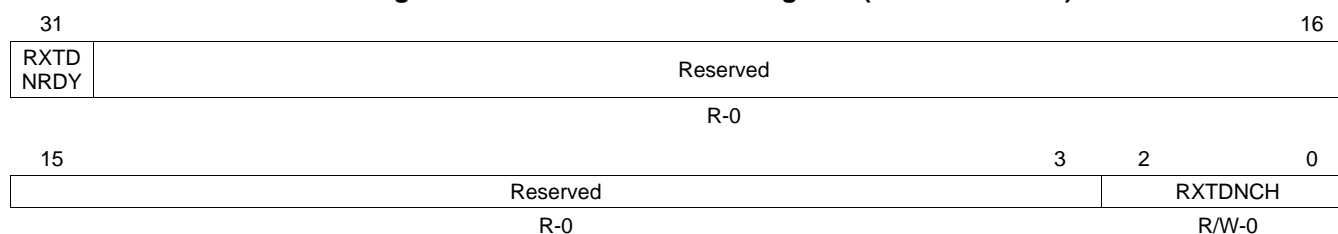
Table 41. Receive Control Register (RXCONTROL) Field Descriptions

Bit	Field	Value	Description
31-1	Reserved	0	Reserved
0	RXEN	0	Receive DMA enable
		0	Receive is disabled
		1	Receive is enabled

5.6 Receive Teardown Register (RXTEARDOWN)

The receive teardown register (RXTEARDOWN) is shown in [Figure 48](#) and described in [Table 42](#).

Figure 48. Receive Teardown Register (RXTEARDOWN)



LEGEND: R/W = Read/Write; R = Read only; -n = value after reset

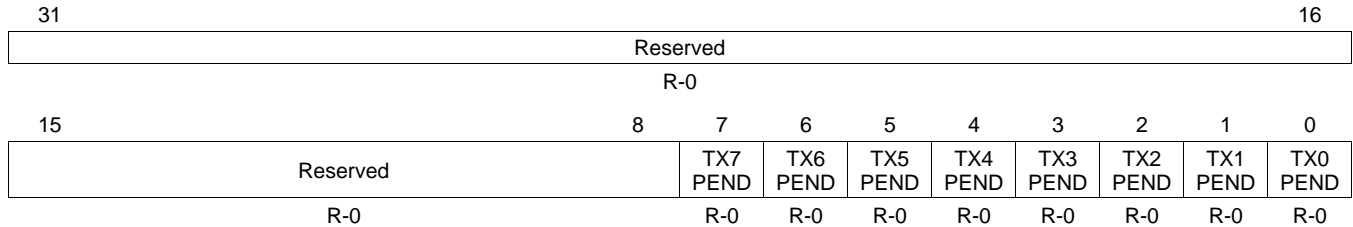
Table 42. Receive Teardown Register (RXTEARDOWN) Field Descriptions

Bit	Field	Value	Description
31	RXTDNRDY	0	Receive teardown ready. Read as zero, but is always assumed to be one (unused).
30-3	Reserved	0	Reserved
2-0	RXTDNCH		Receive teardown channel. Receive channel teardown is commanded by writing the encoded value of the receive channel to be torn down. The teardown register is read as zero.
		0	Teardown receive channel 0
		1h	Teardown receive channel 1
		2h	Teardown receive channel 2
		3h	Teardown receive channel 3
		4h	Teardown receive channel 4
		5h	Teardown receive channel 5
		6h	Teardown receive channel 6
		7h	Teardown receive channel 7

5.7 Transmit Interrupt Status (Unmasked) Register (TXINTSTATRAW)

The transmit interrupt status (unmasked) register (TXINTSTATRAW) is shown in [Figure 49](#) and described in [Table 43](#).

Figure 49. Transmit Interrupt Status (Unmasked) Register (TXINTSTATRAW)



LEGEND: R = Read only; -n = value after reset

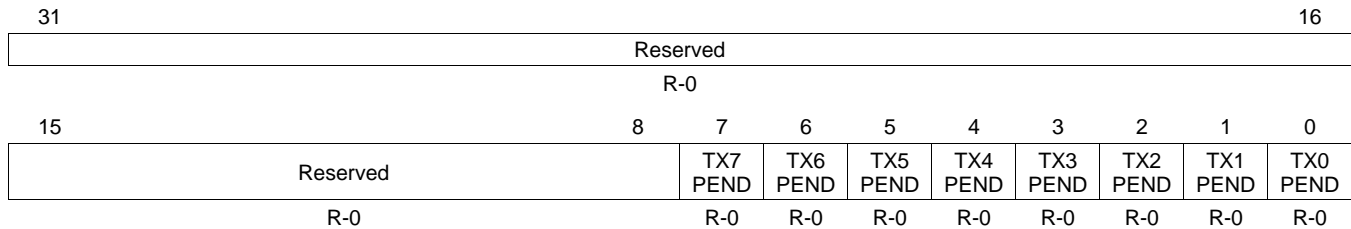
Table 43. Transmit Interrupt Status (Unmasked) Register (TXINTSTATRAW) Field Descriptions

Bit	Field	Value	Description
31-8	Reserved	0	Reserved
7	TX7PEND		TX7PEND raw interrupt read (before mask)
6	TX6PEND		TX6PEND raw interrupt read (before mask)
5	TX5PEND		TX5PEND raw interrupt read (before mask)
4	TX4PEND		TX4PEND raw interrupt read (before mask)
3	TX3PEND		TX3PEND raw interrupt read (before mask)
2	TX2PEND		TX2PEND raw interrupt read (before mask)
1	TX1PEND		TX1PEND raw interrupt read (before mask)
0	TX0PEND		TX0PEND raw interrupt read (before mask)

5.8 Transmit Interrupt Status (Masked) Register (TXINTSTATMASKED)

The transmit interrupt status (masked) register (TXINTSTATMASKED) is shown in [Figure 50](#) and described in [Table 44](#).

Figure 50. Transmit Interrupt Status (Masked) Register (TXINTSTATMASKED)



LEGEND: R/W = R = Read only; -n = value after reset

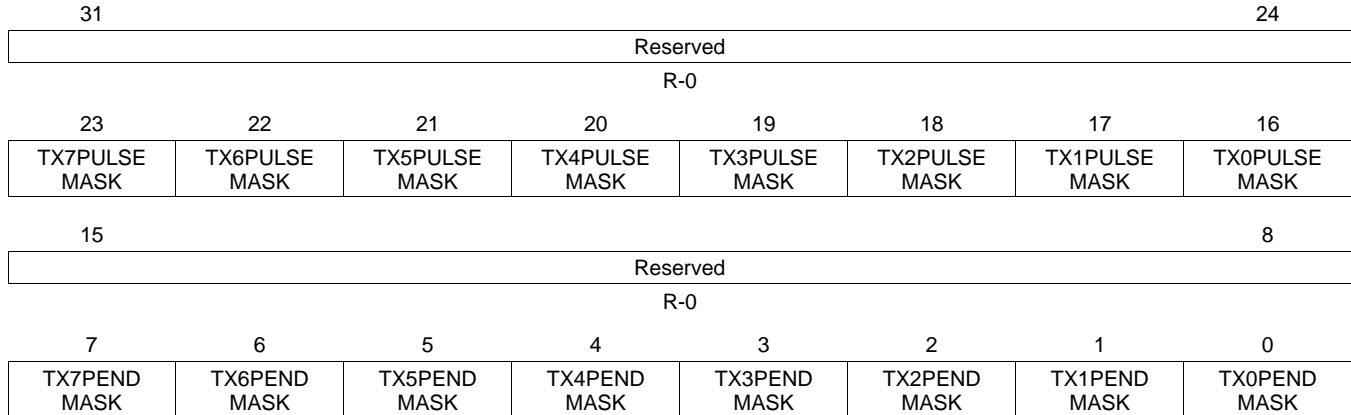
Table 44. Transmit Interrupt Status (Masked) Register (TXINTSTATMASKED) Field Descriptions

Bit	Field	Value	Description
31-8	Reserved	0	Reserved
7	TX7PEND		TX7PEND masked interrupt read
6	TX6PEND		TX6PEND masked interrupt read
5	TX5PEND		TX5PEND masked interrupt read
4	TX4PEND		TX4PEND masked interrupt read
3	TX3PEND		TX3PEND masked interrupt read
2	TX2PEND		TX2PEND masked interrupt read
1	TX1PEND		TX1PEND masked interrupt read
0	TX0PEND		TX0PEND masked interrupt read

5.9 Transmit Interrupt Mask Set Register (TXINTMASKSET)

The transmit interrupt mask set register (TXINTMASKSET) is shown in [Figure 51](#) and described in [Table 45](#).

Figure 51. Transmit Interrupt Mask Set Register (TXINTMASKSET)



LEGEND: R/W = Read/Write; R = Read only; -n = value after reset

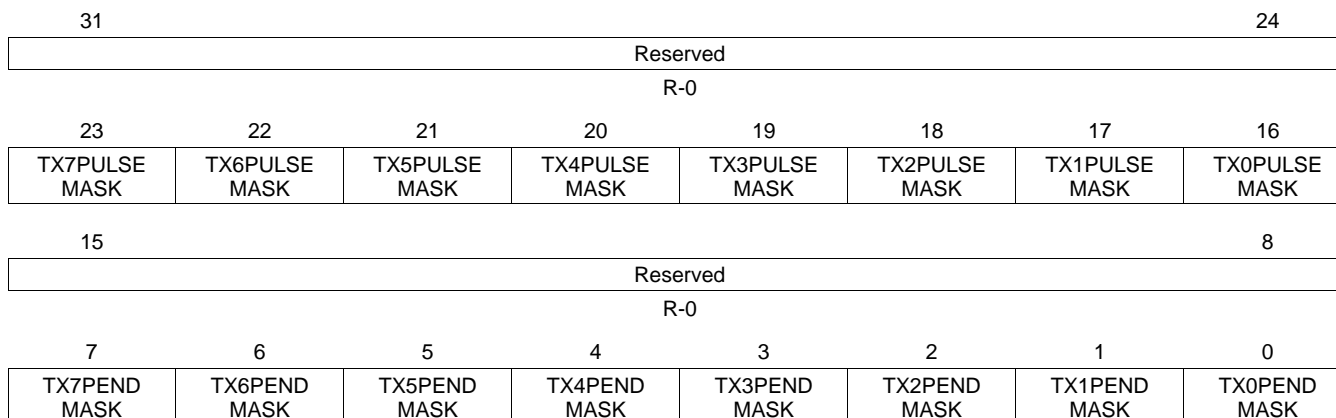
Table 45. Transmit Interrupt Mask Set Register (TXINTMASKSET) Field Descriptions

Bit	Field	Value	Description
31-24	Reserved	0	Reserved; read as 0.
23	TX7PULSEMASK	0	Transmit channel 7 pulse interrupt mask. Write 1 to enable interrupt.
22	TX6PULSEMASK	0	Transmit channel 6 pulse interrupt mask. Write 1 to enable interrupt.
21	TX5PULSEMASK	0	Transmit channel 5 pulse interrupt mask. Write 1 to enable interrupt.
20	TX4PULSEMASK	0	Transmit channel 4 pulse interrupt mask. Write 1 to enable interrupt.
19	TX3PULSEMASK	0	Transmit channel 3 pulse interrupt mask. Write 1 to enable interrupt.
18	TX2PULSEMASK	0	Transmit channel 2 pulse interrupt mask. Write 1 to enable interrupt.
17	TX1PULSEMASK	0	Transmit channel 1 pulse interrupt mask. Write 1 to enable interrupt.
16	TX0PULSEMASK	0	Transmit channel 0 pulse interrupt mask. Write 1 to enable interrupt.
15-8	Reserved	0	Reserved; read as 0.
7	TX7PENDMASK	0	Transmit channel 7 pending interrupt mask. Write 1 to enable interrupt.
6	TX6PENDMASK	0	Transmit channel 6 pending interrupt mask. Write 1 to enable interrupt.
5	TX5PENDMASK	0	Transmit channel 5 pending interrupt mask. Write 1 to enable interrupt.
4	TX4PENDMASK	0	Transmit channel 4 pending interrupt mask. Write 1 to enable interrupt.
3	TX3PENDMASK	0	Transmit channel 3 pending interrupt mask. Write 1 to enable interrupt.
2	TX2PENDMASK	0	Transmit channel 2 pending interrupt mask. Write 1 to enable interrupt.
1	TX1PENDMASK	0	Transmit channel 1 pending interrupt mask. Write 1 to enable interrupt.
0	TX0PENDMASK	0	Transmit channel 0 pending interrupt mask. Write 1 to enable interrupt.

5.10 Transmit Interrupt Mask Clear Register (TXINTMASKCLEAR)

The transmit interrupt mask clear register (TXINTMASKCLEAR) is shown in [Figure 52](#) and described in [Table 46](#).

Figure 52. Transmit Interrupt Mask Clear Register (TXINTMASKCLEAR)



LEGEND: R/W = Read/Write; R = Read only; -n = value after reset

Table 46. Transmit Interrupt Mask Clear Register (TXINTMASKCLEAR) Field Descriptions

Bit	Field	Value	Description
31-24	Reserved	0	Reserved; read as 0.
23	TX7PULSEMASK	0	Transmit channel 7 pulse interrupt mask. Write 1 to disable interrupt.
22	TX6PULSEMASK	0	Transmit channel 6 pulse interrupt mask. Write 1 to disable interrupt.
21	TX5PULSEMASK	0	Transmit channel 5 pulse interrupt mask. Write 1 to disable interrupt.
20	TX4PULSEMASK	0	Transmit channel 4 pulse interrupt mask. Write 1 to disable interrupt.
19	TX3PULSEMASK	0	Transmit channel 3 pulse interrupt mask. Write 1 to disable interrupt.
18	TX2PULSEMASK	0	Transmit channel 2 pulse interrupt mask. Write 1 to disable interrupt.
17	TX1PULSEMASK	0	Transmit channel 1 pulse interrupt mask. Write 1 to disable interrupt.
16	TX0PULSEMASK	0	Transmit channel 0 pulse interrupt mask. Write 1 to disable interrupt.
15-8	Reserved	0	Reserved; read as 0.
7	TX7PENDMASK	0	Transmit channel 7 pending interrupt mask. Write 1 to disable interrupt.
6	TX6PENDMASK	0	Transmit channel 6 pending interrupt mask. Write 1 to disable interrupt.
5	TX5PENDMASK	0	Transmit channel 5 pending interrupt mask. Write 1 to disable interrupt.
4	TX4PENDMASK	0	Transmit channel 4 pending interrupt mask. Write 1 to disable interrupt.
3	TX3PENDMASK	0	Transmit channel 3 pending interrupt mask. Write 1 to disable interrupt.
2	TX2PENDMASK	0	Transmit channel 2 pending interrupt mask. Write 1 to disable interrupt.
1	TX1PENDMASK	0	Transmit channel 1 pending interrupt mask. Write 1 to disable interrupt.
0	TX0PENDMASK	0	Transmit channel 0 pending interrupt mask. Write 1 to disable interrupt.

5.11 MAC Input Vector Register (MACINVECTOR)

The MAC input vector register (MACINVECTOR) is shown in [Figure 53](#) and described in [Table 47](#).

Figure 53. MAC Input Vector Register (MACINVECTOR)

31	30	29						18	17	16
USER INT	LINK INT	Reserved							HOST PEND	STAT PEND
R-0	R-0	R-0							R-0	R-0
		15					8	7		
RXPEND					TXPEND					
R-0					R-0					
								0		

LEGEND: R = Read only; -n = value after reset

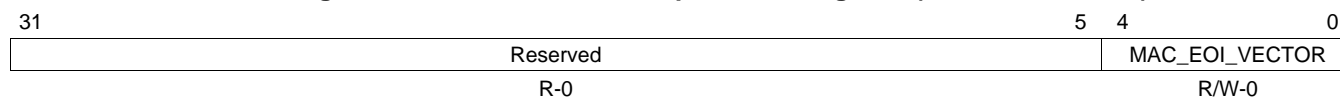
Table 47. MAC Input Vector Register (MACINVECTOR) Field Descriptions

Bit	Field	Value	Description
31	USERINT		MDIO module user interrupt (USERINT) pending status bit
30	LINKINT		MDIO module link change interrupt (LINKINT) pending status bit
29-18	Reserved	0	Reserved
17	HOSTPEND		EMAC module host error interrupt (HOSTPEND) pending status bit
16	STATPEND		EMAC module statistics interrupt (STATPEND) pending status bit
15-8	RXPEND		Receive channels 0-7 interrupt (RX n PEND) pending status bit. Bit 8 is receive channel 0.
7-0	TXPEND		Transmit channels 0-7 interrupt (TX n PEND) pending status bit. Bit 0 is transmit channel 0.

5.12 MAC End-of-Interrupt Vector Register (MACEOIVECTOR)

The MAC end-of-interrupt vector register (MACEOIVECTOR) is shown in [Figure 54](#) and described in [Table 48](#).

Figure 54. MAC End-of-Interrupt Vector Register (MACEOIVECTOR)



LEGEND: R/W = Read/Write; R = Read only; -n = value after reset

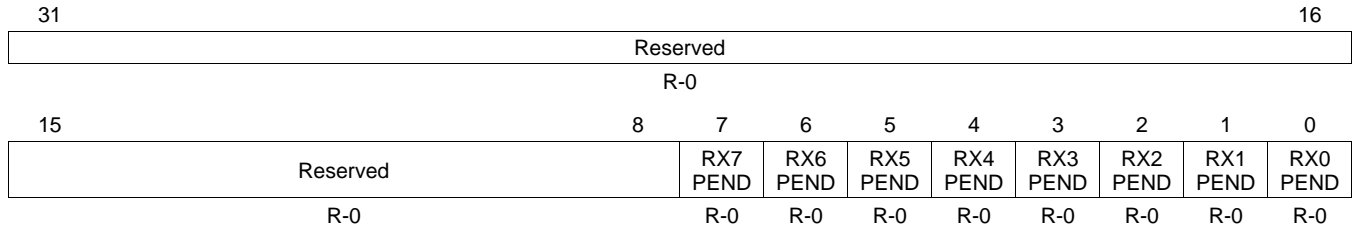
Table 48. MAC End-of-Interrupt Vector Register (MACEOIVECTOR) Field Descriptions

Bit	Field	Value	Description
31-5	Reserved	0	Reserved
4	MAC_EOI_VECTOR		MAC end-of-interrupt vector The EOI_VECTOR[4:0] pins reflect the value written to this location one peripheral bus clock cycle after a write to this location. The EOI_WR signal is asserted for a single clock cycle after a latency of two peripheral bus clock cycles when a write is performed to this location.

5.13 Receive Interrupt Status (Unmasked) Register (RXINTSTATRAW)

The receive interrupt status (unmasked) register (RXINTSTATRAW) is shown in [Figure 55](#) and described in [Table 49](#).

Figure 55. Receive Interrupt Status (Unmasked) Register (RXINTSTATRAW)



LEGEND: R = Read only; -n = value after reset

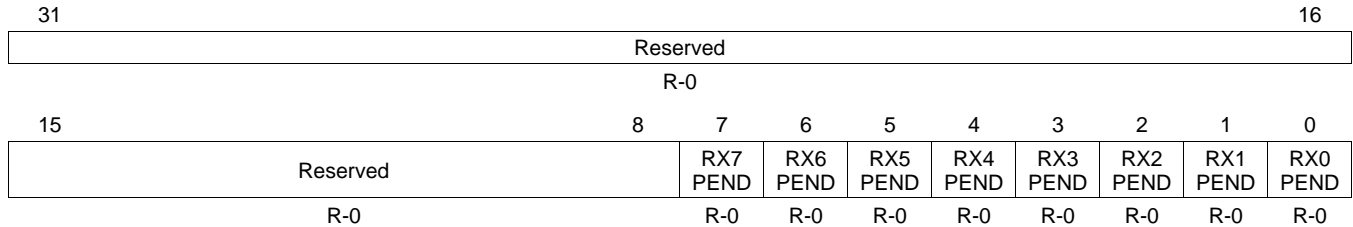
Table 49. Receive Interrupt Status (Unmasked) Register (RXINTSTATRAW) Field Descriptions

Bit	Field	Value	Description
31-8	Reserved	0	Reserved
7	RX7PEND		RX7PEND raw interrupt read (before mask)
6	RX6PEND		RX6PEND raw interrupt read (before mask)
5	RX5PEND		RX5PEND raw interrupt read (before mask)
4	RX4PEND		RX4PEND raw interrupt read (before mask)
3	RX3PEND		RX3PEND raw interrupt read (before mask)
2	RX2PEND		RX2PEND raw interrupt read (before mask)
1	RX1PEND		RX1PEND raw interrupt read (before mask)
0	RX0PEND		RX0PEND raw interrupt read (before mask)

5.14 Receive Interrupt Status (Masked) Register (RXINTSTATMASKED)

The receive interrupt status (masked) register (RXINTSTATMASKED) is shown in [Figure 56](#) and described in [Table 50](#).

Figure 56. Receive Interrupt Status (Masked) Register (RXINTSTATMASKED)



LEGEND: R = Read only; -n = value after reset

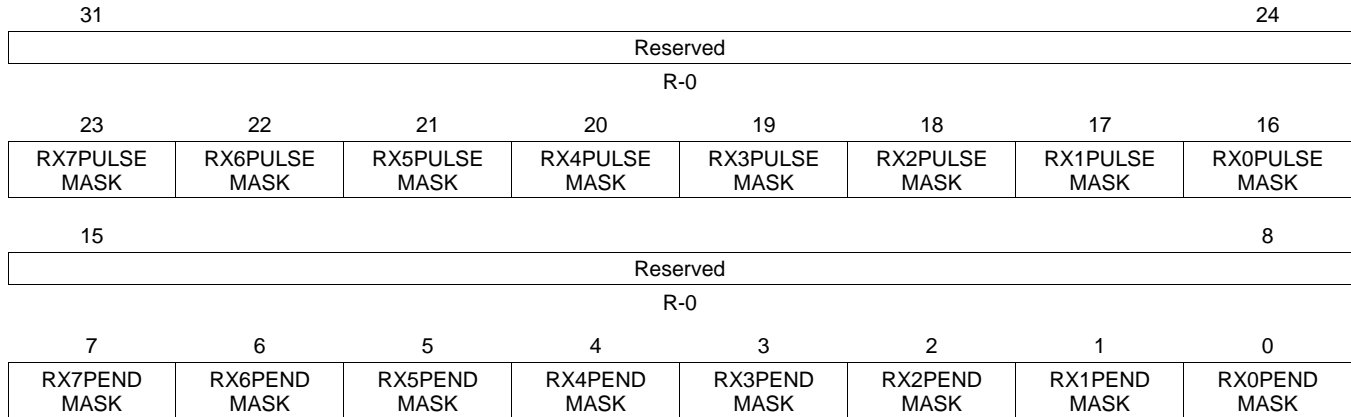
Table 50. Receive Interrupt Status (Masked) Register (RXINTSTATMASKED) Field Descriptions

Bit	Field	Value	Description
31-8	Reserved	0	Reserved
7	RX7PEND		RX7PEND masked interrupt read
6	RX6PEND		RX6PEND masked interrupt read
5	RX5PEND		RX5PEND masked interrupt read
4	RX4PEND		RX4PEND masked interrupt read
3	RX3PEND		RX3PEND masked interrupt read
2	RX2PEND		RX2PEND masked interrupt read
1	RX1PEND		RX1PEND masked interrupt read
0	RX0PEND		RX0PEND masked interrupt read

5.15 Receive Interrupt Mask Set Register (RXINTMASKSET)

The receive interrupt mask set register (RXINTMASKSET) is shown in Figure 57 and described in Table 51.

Figure 57. Receive Interrupt Mask Set Register (RXINTMASKSET)



LEGEND: R/W = Read/Write; R = Read only; -n = value after reset

Table 51. Receive Interrupt Mask Set Register (RXINTMASKSET) Field Descriptions

Bit	Field	Value	Description
31-24	Reserved	0	Reserved; read as 0.
23	RX7PULSEMASK	0	Receive channel 7 pulse interrupt mask. Write 1 to enable interrupt.
22	RX6PULSEMASK	0	Receive channel 6 pulse interrupt mask. Write 1 to enable interrupt.
21	RX5PULSEMASK	0	Receive channel 5 pulse interrupt mask. Write 1 to enable interrupt.
20	RX4PULSEMASK	0	Receive channel 4 pulse interrupt mask. Write 1 to enable interrupt.
19	RX3PULSEMASK	0	Receive channel 3 pulse interrupt mask. Write 1 to enable interrupt.
18	RX2PULSEMASK	0	Receive channel 2 pulse interrupt mask. Write 1 to enable interrupt.
17	RX1PULSEMASK	0	Receive channel 1 pulse interrupt mask. Write 1 to enable interrupt.
16	RX0PULSEMASK	0	Receive channel 0 pulse interrupt mask. Write 1 to enable interrupt.
15-8	Reserved	0	Reserved; read as 0.
7	RX7PENDMASK	0	Receive channel 7 pending interrupt mask. Write 1 to enable interrupt.
6	RX6PENDMASK	0	Receive channel 6 pending interrupt mask. Write 1 to enable interrupt.
5	RX5PENDMASK	0	Receive channel 5 pending interrupt mask. Write 1 to enable interrupt.
4	RX4PENDMASK	0	Receive channel 4 pending interrupt mask. Write 1 to enable interrupt.
3	RX3PENDMASK	0	Receive channel 3 pending interrupt mask. Write 1 to enable interrupt.
2	RX2PENDMASK	0	Receive channel 2 pending interrupt mask. Write 1 to enable interrupt.
1	RX1PENDMASK	0	Receive channel 1 pending interrupt mask. Write 1 to enable interrupt.
0	RX0PENDMASK	0	Receive channel 0 pending interrupt mask. Write 1 to enable interrupt.

5.16 Receive Interrupt Mask Clear Register (RXINTMASKCLEAR)

The receive interrupt mask clear register (RXINTMASKCLEAR) is shown in [Figure 58](#) and described in [Table 52](#).

Figure 58. Receive Interrupt Mask Clear Register (RXINTMASKCLEAR)

31								24							
Reserved															
R-0															
23		22		21		20		19		18		17		16	
RX7PULSE MASK	RX6PULSE MASK	RX5PULSE MASK	RX4PULSE MASK	RX3PULSE MASK	RX2PULSE MASK	RX1PULSE MASK	RX0PULSE MASK								
15								8							
Reserved															
R-0															
7		6		5		4		3		2		1		0	
RX7PEND MASK	RX6PEND MASK	RX5PEND MASK	RX4PEND MASK	RX3PEND MASK	RX2PEND MASK	RX1PEND MASK	RX0PEND MASK								

LEGEND: R = Read only; R/W = Read/Write; R/WC = Read/Write 1 to clear; -n = value after reset

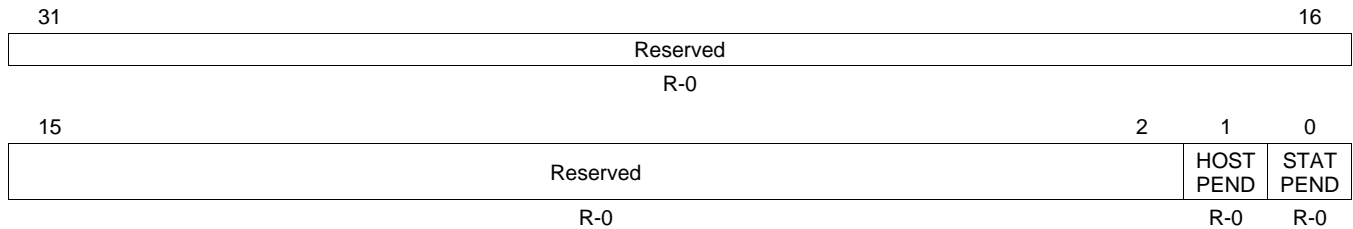
Table 52. Receive Interrupt Mask Clear Register (RXINTMASKCLEAR) Field Descriptions

Bit	Field	Value	Description
31-24	Reserved	0	Reserved; read as 0.
23	RX7PULSEMASK	0	Receive channel 7 pulse interrupt mask. Write 1 to disable interrupt.
22	RX6PULSEMASK	0	Receive channel 6 pulse interrupt mask. Write 1 to disable interrupt.
21	RX5PULSEMASK	0	Receive channel 5 pulse interrupt mask. Write 1 to disable interrupt.
20	RX4PULSEMASK	0	Receive channel 4 pulse interrupt mask. Write 1 to disable interrupt.
19	RX3PULSEMASK	0	Receive channel 3 pulse interrupt mask. Write 1 to disable interrupt.
18	RX2PULSEMASK	0	Receive channel 2 pulse interrupt mask. Write 1 to disable interrupt.
17	RX1PULSEMASK	0	Receive channel 1 pulse interrupt mask. Write 1 to disable interrupt.
16	RX0PULSEMASK	0	Receive channel 0 pulse interrupt mask. Write 1 to disable interrupt.
15-8	Reserved	0	Reserved; read as 0.
7	RX7PENDMASK	0	Receive channel 7 pending interrupt mask. Write 1 to disable interrupt.
6	RX6PENDMASK	0	Receive channel 6 pending interrupt mask. Write 1 to disable interrupt.
5	RX5PENDMASK	0	Receive channel 5 pending interrupt mask. Write 1 to disable interrupt.
4	RX4PENDMASK	0	Receive channel 4 pending interrupt mask. Write 1 to disable interrupt.
3	RX3PENDMASK	0	Receive channel 3 pending interrupt mask. Write 1 to disable interrupt.
2	RX2PENDMASK	0	Receive channel 2 pending interrupt mask. Write 1 to disable interrupt.
1	RX1PENDMASK	0	Receive channel 1 pending interrupt mask. Write 1 to disable interrupt.
0	RX0PENDMASK	0	Receive channel 0 pending interrupt mask. Write 1 to disable interrupt.

5.17 MAC Interrupt Status (Unmasked) Register (MACINTSTATRAW)

The MAC interrupt status (unmasked) register (MACINTSTATRAW) is shown in [Figure 59](#) and described in [Table 53](#).

Figure 59. MAC Interrupt Status (Unmasked) Register (MACINTSTATRAW)



LEGEND: R = Read only; -n = value after reset

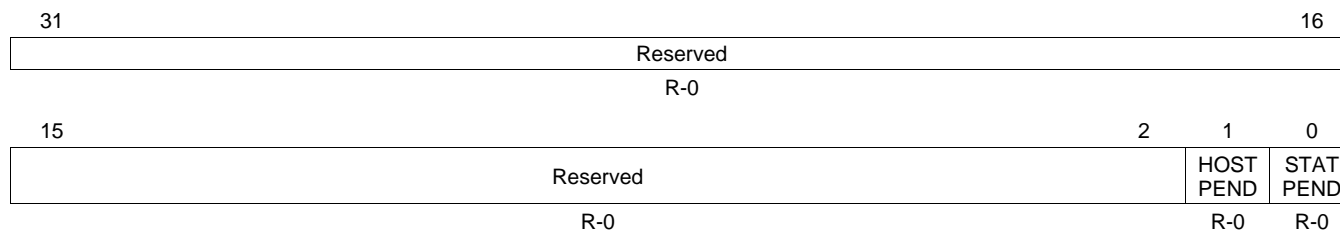
Table 53. MAC Interrupt Status (Unmasked) Register (MACINTSTATRAW) Field Descriptions

Bit	Field	Value	Description
31-2	Reserved	0	Reserved
1	HOSTPEND		Host pending interrupt (HOSTPEND); raw interrupt read (before mask)
0	STATPEND		Statistics pending interrupt (STATPEND); raw interrupt read (before mask)

5.18 MAC Interrupt Status (Masked) Register (MACINTSTATMASKED)

The MAC interrupt status (masked) register (MACINTSTATMASKED) is shown in [Figure 60](#) and described in [Table 54](#).

Figure 60. MAC Interrupt Status (Masked) Register (MACINTSTATMASKED)



LEGEND: R/W = R = Read only; -n = value after reset

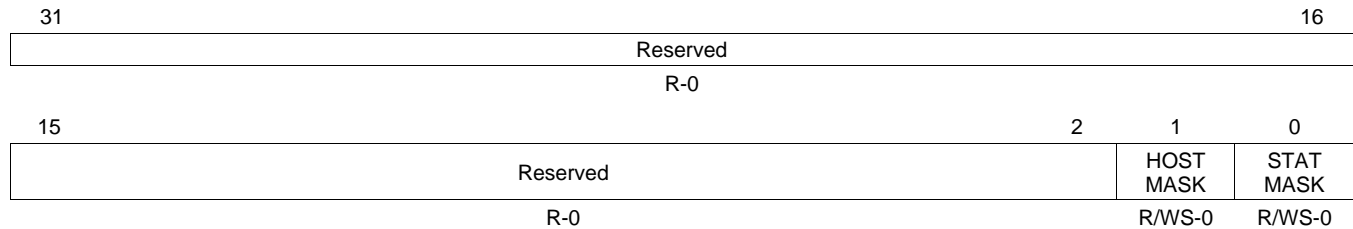
Table 54. MAC Interrupt Status (Masked) Register (MACINTSTATMASKED) Field Descriptions

Bit	Field	Value	Description
31-2	Reserved	0	Reserved
1	HOSTPEND		Host pending interrupt (HOSTPEND); masked interrupt read
0	STATPEND		Statistics pending interrupt (STATPEND); masked interrupt read

5.19 MAC Interrupt Mask Set Register (MACINTMASKSET)

The MAC interrupt mask set register (MACINTMASKSET) is shown in [Figure 61](#) and described in [Table 55](#).

Figure 61. MAC Interrupt Mask Set Register (MACINTMASKSET)



LEGEND: R = Read only; R/W = Read/Write; R/WS = Read/Write 1 to set; -n = value after reset

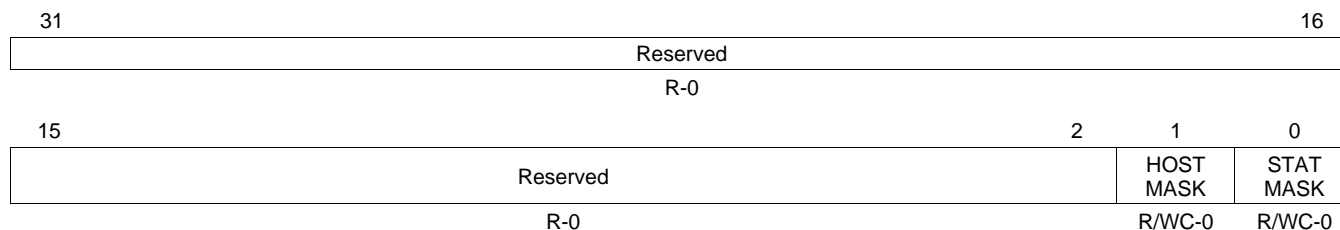
Table 55. MAC Interrupt Mask Set Register (MACINTMASKSET) Field Descriptions

Bit	Field	Value	Description
31-2	Reserved	0	Reserved
1	HOSTMASK		Host error interrupt mask set bit. Write 1 to enable interrupt, a write of 0 has no effect.
0	STATMASK		Statistics interrupt mask set bit. Write 1 to enable interrupt, a write of 0 has no effect.

5.20 MAC Interrupt Mask Clear Register (MACINTMASKCLEAR)

The MAC interrupt mask clear register (MACINTMASKCLEAR) is shown in [Figure 62](#) and described in [Table 56](#).

Figure 62. MAC Interrupt Mask Clear Register (MACINTMASKCLEAR)



LEGEND: R = Read only; R/W = Read/Write; R/WC = Read/Write 1 to clear; -n = value after reset

Table 56. MAC Interrupt Mask Clear Register (MACINTMASKCLEAR) Field Descriptions

Bit	Field	Value	Description
31-2	Reserved	0	Reserved
1	HOSTMASK		Host error interrupt mask clear bit. Write 1 to disable interrupt, a write of 0 has no effect.
0	STATMASK		Statistics interrupt mask clear bit. Write 1 to disable interrupt, a write of 0 has no effect.

5.21 Receive Multicast/Broadcast/Promiscuous Channel Enable Register (RXMBPENABLE)

The receive multicast/broadcast/promiscuous channel enable register (RXMBPENABLE) is shown in Figure 63 and described in Table 57.

Figure 63. Receive Multicast/Broadcast/Promiscuous Channel Enable Register (RXMBPENABLE)

31	30	29	28	27	25	24
Reserved	RXPASSCRC	RXQOSEN	RXNOCHAIN	Reserved		RXCMFEN
R-0	R/W-0	R/W-0	R/W-0	R-0		R/W-0
23	22	21	20	19	18	16
RXCSFEN	RXCEFEN	RXCAFEN	Reserved		RXBROADCH	
R/W-0	R/W-0	R/W-0	R-0		R/W-0	
15	14	13	12	11	10	8
Reserved		RXBROADEN	Reserved		RXBROADCH	
R-0		R/W-0	R-0		R/W-0	
7	6	5	4	3	2	0
Reserved		RXMULTEN	Reserved		RXMULTCH	
R-0		R/W-0	R-0		R/W-0	

LEGEND: R/W = Read/Write; R = Read only; -n = value after reset

Table 57. Receive Multicast/Broadcast/Promiscuous Channel Enable Register (RXMBPENABLE) Field Descriptions

Bit	Field	Value	Description
31	Reserved	0	Reserved
30	RXPASSCRC	0	Pass receive CRC enable bit
		0	Received CRC is discarded for all channels and is not included in the buffer descriptor packet length field
		1	Received CRC is transferred to memory for all channels and is included in the buffer descriptor packet length
29	RXQOSEN	0	Receive quality of service enable bit
		0	Receive QOS is disabled
		1	Receive QOS is enabled
28	RXNOCHAIN	0	Receive no buffer chaining bit
		0	Received frames can span multiple buffers
		1	Receive DMA controller transfers each frame into a single buffer regardless of the frame or buffer size. All remaining frame data after the first buffer is discarded. The buffer descriptor buffer length field will contain the entire frame byte count (up to 65535 bytes).
27-25	Reserved	0	Reserved
24	RXCMFEN	0	Receive copy MAC control frames enable bit. Enables MAC control frames to be transferred to memory. MAC control frames are normally acted upon (if enabled), but not copied to memory. MAC control frames that are pause frames will be acted upon if enabled in MACCONTROL, regardless of the value of RXCMFEN. Frames transferred to memory due to RXCMFEN will have the CONTROL bit set in their EOP buffer descriptor.
		0	MAC control frames are filtered (but acted upon if enabled)
		1	MAC control frames are transferred to memory
23	RXCSFEN	0	Receive copy short frames enable bit. Enables frames or fragments shorter than 64 bytes to be copied to memory. Frames transferred to memory due to RXCSFEN will have the FRAGMENT or UNDERSIZE bit set in their EOP buffer descriptor. Fragments are short frames that contain CRC/align/code errors and undersized are short frames without errors.
		0	Short frames are filtered
		1	Short frames are transferred to memory

Table 57. Receive Multicast/Broadcast/Promiscuous Channel Enable Register (RXMBPENABLE) Field Descriptions (continued)

Bit	Field	Value	Description
22	RXCEFEN	0 1	Receive copy error frames enable bit. Enables frames containing errors to be transferred to memory. The appropriate error bit will be set in the frame EOP buffer descriptor. Frames containing errors are filtered Frames containing errors are transferred to memory
21	RXCAFEN	0 1	Receive copy all frames enable bit. Enables frames that do not address match (includes multicast frames that do not hash match) to be transferred to the promiscuous channel selected by RXPROMCH bits. Such frames will be marked with the NOMATCH bit in their EOP buffer descriptor. Frames that do not address match are filtered Frames that do not address match are transferred to the promiscuous channel selected by RXPROMCH bits
20-19	Reserved	0	Reserved
18-16	RXPROMCH	0-3h 0 1h 2h 3h 4h 5h 6h 7h	Receive promiscuous channel select Select channel 0 to receive promiscuous frames Select channel 1 to receive promiscuous frames Select channel 2 to receive promiscuous frames Select channel 3 to receive promiscuous frames Select channel 4 to receive promiscuous frames Select channel 5 to receive promiscuous frames Select channel 6 to receive promiscuous frames Select channel 7 to receive promiscuous frames
15-14	Reserved	0	Reserved
13	RXBROADEN	0 1	Receive broadcast enable. Enable received broadcast frames to be copied to the channel selected by RXBROADCH bits. Broadcast frames are filtered Broadcast frames are copied to the channel selected by RXBROADCH bits
12-11	Reserved	0	Reserved
10-8	RXBROADCH	0-3h 0 1h 2h 3h 4h 5h 6h 7h	Receive broadcast channel select Select channel 0 to receive broadcast frames Select channel 1 to receive broadcast frames Select channel 2 to receive broadcast frames Select channel 3 to receive broadcast frames Select channel 4 to receive broadcast frames Select channel 5 to receive broadcast frames Select channel 6 to receive broadcast frames Select channel 7 to receive broadcast frames
7-6	Reserved	0	Reserved
5	RXMULTEN	0 1	RX multicast enable. Enable received hash matching multicast frames to be copied to the channel selected by RXMULTCH bits. Multicast frames are filtered Multicast frames are copied to the channel selected by RXMULTCH bits
4-3	Reserved	0	Reserved

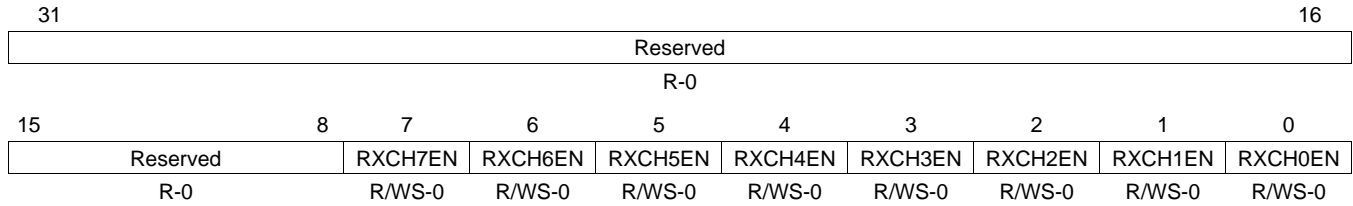
Table 57. Receive Multicast/Broadcast/Promiscuous Channel Enable Register (RXMBPENABLE) Field Descriptions (continued)

Bit	Field	Value	Description
2-0	RXMULTCH	0-3h	Receive multicast channel select
		0	Select channel 0 to receive multicast frames
		1h	Select channel 1 to receive multicast frames
		2h	Select channel 2 to receive multicast frames
		3h	Select channel 3 to receive multicast frames
		4h	Select channel 4 to receive multicast frames
		5h	Select channel 5 to receive multicast frames
		6h	Select channel 6 to receive multicast frames
		7h	Select channel 7 to receive multicast frames

5.22 Receive Unicast Enable Set Register (RXUNICASTSET)

The receive unicast enable set register (RXUNICASTSET) is shown in [Figure 64](#) and described in [Table 58](#).

Figure 64. Receive Unicast Enable Set Register (RXUNICASTSET)



LEGEND: R = Read only; R/W = Read/Write; R/W-0 = Read/Write 1 to set; -n = value after reset

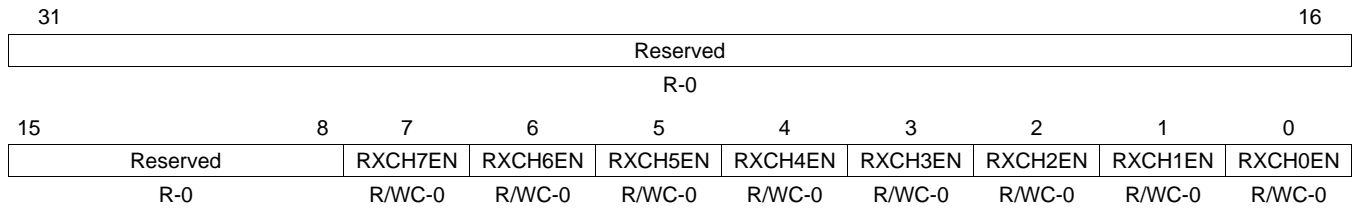
Table 58. Receive Unicast Enable Set Register (RXUNICASTSET) Field Descriptions

Bit	Field	Value	Description
31-8	Reserved	0	Reserved
7	RXCH7EN		Receive channel 7 unicast enable set bit. Write 1 to set the enable, a write of 0 has no effect. May be read.
6	RXCH6EN		Receive channel 6 unicast enable set bit. Write 1 to set the enable, a write of 0 has no effect. May be read.
5	RXCH5EN		Receive channel 5 unicast enable set bit. Write 1 to set the enable, a write of 0 has no effect. May be read.
4	RXCH4EN		Receive channel 4 unicast enable set bit. Write 1 to set the enable, a write of 0 has no effect. May be read.
3	RXCH3EN		Receive channel 3 unicast enable set bit. Write 1 to set the enable, a write of 0 has no effect. May be read.
2	RXCH2EN		Receive channel 2 unicast enable set bit. Write 1 to set the enable, a write of 0 has no effect. May be read.
1	RXCH1EN		Receive channel 1 unicast enable set bit. Write 1 to set the enable, a write of 0 has no effect. May be read.
0	RXCH0EN		Receive channel 0 unicast enable set bit. Write 1 to set the enable, a write of 0 has no effect. May be read.

5.23 Receive Unicast Clear Register (RXUNICASTCLEAR)

The receive unicast clear register (RXUNICASTCLEAR) is shown in [Figure 65](#) and described in [Table 59](#).

Figure 65. Receive Unicast Clear Register (RXUNICASTCLEAR)



LEGEND: R = Read only; R/W = Read/Write; R/WC = Read/Write 1 to clear; -n = value after reset

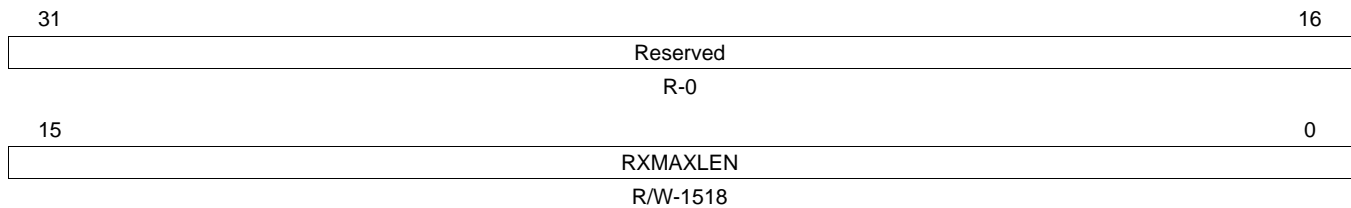
Table 59. Receive Unicast Clear Register (RXUNICASTCLEAR) Field Descriptions

Bit	Field	Value	Description
31-8	Reserved	0	Reserved
7	RXCH7EN		Receive channel 7 unicast enable clear bit. Write 1 to clear the enable, a write of 0 has no effect.
6	RXCH6EN		Receive channel 6 unicast enable clear bit. Write 1 to clear the enable, a write of 0 has no effect.
5	RXCH5EN		Receive channel 5 unicast enable clear bit. Write 1 to clear the enable, a write of 0 has no effect.
4	RXCH4EN		Receive channel 4 unicast enable clear bit. Write 1 to clear the enable, a write of 0 has no effect.
3	RXCH3EN		Receive channel 3 unicast enable clear bit. Write 1 to clear the enable, a write of 0 has no effect.
2	RXCH2EN		Receive channel 2 unicast enable clear bit. Write 1 to clear the enable, a write of 0 has no effect.
1	RXCH1EN		Receive channel 1 unicast enable clear bit. Write 1 to clear the enable, a write of 0 has no effect.
0	RXCH0EN		Receive channel 0 unicast enable clear bit. Write 1 to clear the enable, a write of 0 has no effect.

5.24 Receive Maximum Length Register (RXMAXLEN)

The receive maximum length register (RXMAXLEN) is shown in [Figure 66](#) and described in [Table 60](#).

Figure 66. Receive Maximum Length Register (RXMAXLEN)



LEGEND: R/W = Read/Write; R = Read only; -n = value after reset

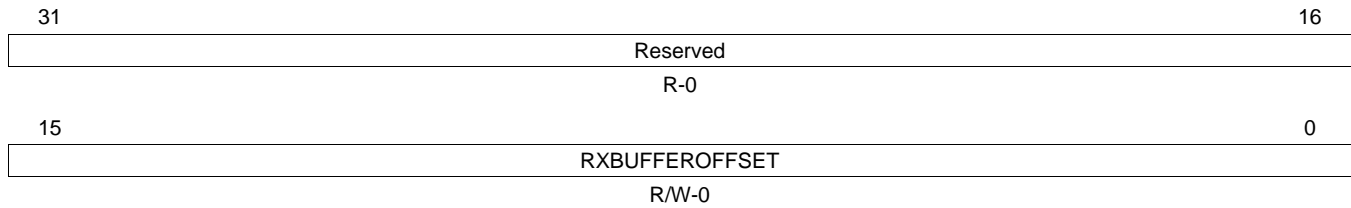
Table 60. Receive Maximum Length Register (RXMAXLEN) Field Descriptions

Bit	Field	Value	Description
31-16	Reserved	0	Reserved
15-0	RXMAXLEN		Receive maximum frame length. These bits determine the maximum length of a received frame. The reset value is 5EEh (1518). Frames with byte counts greater than RXMAXLEN are long frames. Long frames with no errors are oversized frames. Long frames with CRC, code, or alignment errors are jabber frames.

5.25 Receive Buffer Offset Register (RXBUFFEROFFSET)

The receive buffer offset register (RXBUFFEROFFSET) is shown in [Figure 67](#) and described in [Table 61](#).

Figure 67. Receive Buffer Offset Register (RXBUFFEROFFSET)



LEGEND: R/W = Read/Write; R = Read only; -n = value after reset

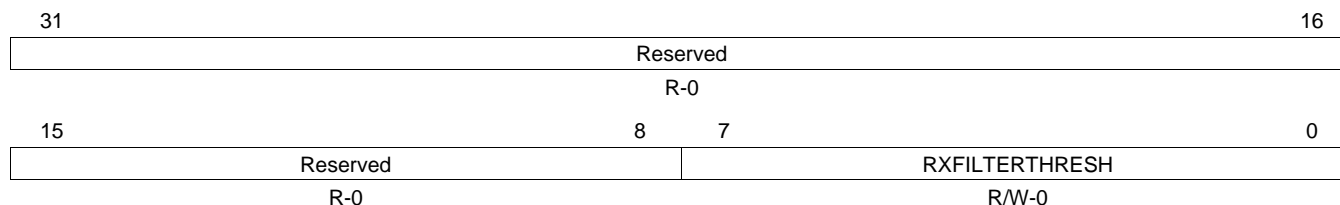
Table 61. Receive Buffer Offset Register (RXBUFFEROFFSET) Field Descriptions

Bit	Field	Value	Description
31-16	Reserved	0	Reserved
15-0	RXBUFFEROFFSET		Receive buffer offset value. These bits are written by the EMAC into each frame SOP buffer descriptor Buffer Offset field. The frame data begins after the RXBUFFEROFFSET value of bytes. A value of 0 indicates that there are no unused bytes at the beginning of the data and that valid data begins on the first byte of the buffer. A value of Fh (15) indicates that the first 15 bytes of the buffer are to be ignored by the EMAC and that valid buffer data starts on byte 16 of the buffer. This value is used for all channels.

5.26 Receive Filter Low Priority Frame Threshold Register (RXFILTERLOWTHRESH)

The receive filter low priority frame threshold register (RXFILTERLOWTHRESH) is shown in [Figure 68](#) and described in [Table 62](#).

Figure 68. Receive Filter Low Priority Frame Threshold Register (RXFILTERLOWTHRESH)



LEGEND: R/W = Read/Write; R = Read only; -n = value after reset

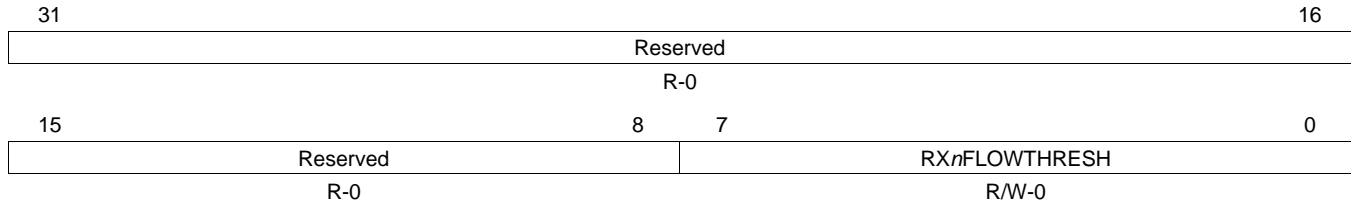
Table 62. Receive Filter Low Priority Frame Threshold Register (RXFILTERLOWTHRESH) Field Descriptions

Bit	Field	Value	Description
31-8	Reserved	0	Reserved
7-0	RXFILTERTHRESH		Receive filter low threshold. These bits contain the free buffer count threshold value for filtering low priority incoming frames. This field should remain 0 if no filtering is desired.

5.27 Receive Channel 0-7 Flow Control Threshold Register (RX n FLOWTHRESH)

The receive channel 0-7 flow control threshold register (RX n FLOWTHRESH) is shown in [Figure 69](#) and described in [Table 63](#).

Figure 69. Receive Channel n Flow Control Threshold Register (RX n FLOWTHRESH)



LEGEND: R/W = Read/Write; R = Read only; - n = value after reset

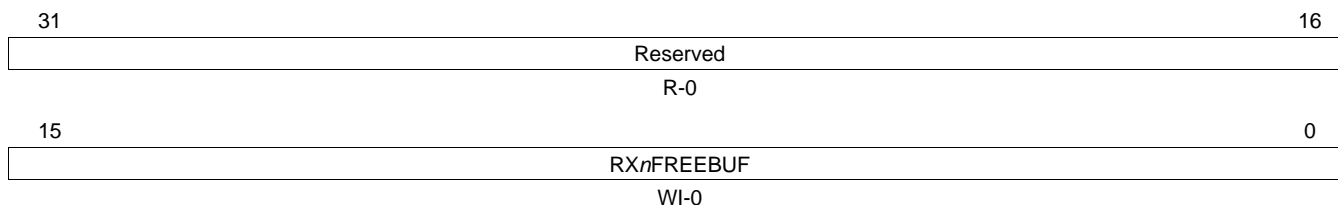
Table 63. Receive Channel n Flow Control Threshold Register (RX n FLOWTHRESH) Field Descriptions

Bit	Field	Value	Description
31-8	Reserved	0	Reserved
7-0	RX n FLOWTHRESH		Receive flow threshold. These bits contain the threshold value for issuing flow control on incoming frames for channel n (when enabled).

5.28 Receive Channel 0-7 Free Buffer Count Register (RXnFREEBUFFER)

The receive channel 0-7 free buffer count register (RXnFREEBUFFER) is shown in [Figure 70](#) and described in [Table 64](#).

Figure 70. Receive Channel n Free Buffer Count Register (RXnFREEBUFFER)



tLEGEND: R = Read only; R/W = Read/Write; WI = Write to increment; - n = value after reset

Table 64. Receive Channel n Free Buffer Count Register (RXnFREEBUFFER) Field Descriptions

Bit	Field	Value	Description
31-16	Reserved	0	Reserved
15-0	RXnFREEBUF		Receive free buffer count. These bits contain the count of free buffers available. The RXFILTERTHRESH value is compared with this field to determine if low priority frames should be filtered. The RXnFLOWTHRESH value is compared with this field to determine if receive flow control should be issued against incoming packets (if enabled). This is a write-to-increment field. This field rolls over to zero on overflow. If hardware flow control or QOS is used, the host must initialize this field to the number of available buffers (one register per channel). The EMAC decrements (by the number of buffers in the received frame) the associated channel register for each received frame. The host must write this field with the number of buffers that have been freed due to host processing.

5.29 MAC Control Register (MACCONTROL)

The MAC control register (MACCONTROL) is shown in [Figure 71](#) and described in [Table 65](#).

Figure 71. MAC Control Register (MACCONTROL)

Reserved							
R-0							
Reserved			RGMIIEN	GIGFORCE	RMIIDUPLEXMODE		
R-0			R/W-0	R/W-0	R/W-0		
RMIISPEED	RXOFFLENBLOCK	RXOWNERSHIP	RXFIFO FLOWEN	CMDIDLE	Reserved	TXPTYPE	Reserved
R/W-0	R/W-0	R/W-0	R/W-0	R/W-0	R-0	R/W-0	R-0
GIG	TXPACE	GMIEN	TXFLOWEN	RXBUFFERFLOWEN	Reserved	LOOPBACK	FULLDUPLEX
R/W-0	R/W-0	R/W-0	R/W-0	R/W-0	R-0	R/W-0	R/W-0

LEGEND: R/W = Read/Write; R = Read only; -n = value after reset

Table 65. MAC Control Register (MACCONTROL) Field Descriptions

Bit	Field	Value	Description
31-19	Reserved	0	Reserved
18	RGMIIEN	0	RGMII enable bit. Enables the full-duplex and gigabit mode to be selected from the RGMIIIFULLDUPLEX and RGMIIIGIG input signals and not from the FULLDUPLEX and GIG bits contained in this register. This bit is directly connected to the RXINBAND input on the RGMII module.
		1	The RGMII interface is in forced link mode. The duplexity is determined by the FULLDUPLEX bit, and the speed is determined by the GIG bit. The speed is either 1 Gbps or 100 Mbps; 10 Mbps is not supported in forced link mode.
17	GIGFORCE		The RGMII interface requires and uses the in-band signals coming in on its receive.
			Gigabit force mode. This bit is used to force the EMAC into gigabit mode if the input MTCLK signal has been stopped by the PHY.
16	RMIIDUPLEXMODE	0	Duplex mode for the RMII interface.
		1	The RMII operates in half-duplex mode. This mode is not supported in the TCI6486/C6472 devices.
15	RMIISPEED	0	The RMII operates in full-duplex mode.
		1	Operating speed for the RMII interface The RMII operates at 2.5 MHz (10Mbps mode) The RMII operates at 25 MHz (100 Mbps mode)
14	RXOFFLENBLOCK	0	Receive offset / length word write block
		1	Do not block the DMA writes to the receive buffer descriptor offset/buffer length word Block all EMAC DMA controller writes to the receive buffer descriptor offset/buffer length words during packet processing. When this bit is set, the EMAC will never write the third word to any receive buffer descriptor.
13	RXOWNERSHIP	0	Receive ownership write bit value
		1	The EMAC writes the Receive ownership bit to zero at the end-of-packet processing The EMAC writes the Receive ownership bit to one at the end-of-packet processing. If you do not use the ownership mechanism, you can set this mode to preclude the necessity of software having to set this bit each time the buffer descriptor is used.

Table 65. MAC Control Register (MACCONTROL) Field Descriptions (continued)

Bit	Field	Value	Description
12	RXFIFOWEN	0	Receive FIFO flow control enable Receive flow control disabled. For full-duplex mode, no outgoing pause frames are sent.
		1	Receive flow control enabled. For full-duplex mode, outgoing pause frames are sent when receive FIFO flow control is triggered.
11	CMDIDLE	0	Command Idle bit Idle not commanded
		1	Idle commanded (read IDLE in the MACSTATUS register)
10	Reserved	0	Reserved
9	TXPTYPE	0	Transmit queue priority type The queue uses a round-robin scheme to select the next channel for transmission
		1	The queue uses a fixed-priority (channel 7 highest priority) scheme to select the next channel for transmission
8	Reserved	0	Reserved
7	GIG	0	Gigabit mode Gigabit mode is disabled; 10/100 mode is in operation
		1	Gigabit mode is enabled (full-duplex only)
6	TXPACE	0	Transmit pacing enable bit Transmit pacing is disabled
		1	Transmit pacing is enabled
5	GMIEN	0	GMII enable bit GMII RX and TX are held in reset
		1	GMII RX and TX are enabled for receive and transmit
4	TXFLOWEN	0	Transmit flow control enable bit. This bit determines if incoming pause frames are acted upon in full-duplex mode. Incoming pause frames are not acted upon in half-duplex mode, regardless of this bit setting. The RXMBPENABLE bits determine whether or not received pause frames are transferred to memory. Transmit flow control is disabled. Full-duplex mode: incoming pause frames are not acted upon.
		1	Transmit flow control is enabled. Full-duplex mode: incoming pause frames are acted upon.
3	RXBUFFERFLOWEN	0	Receive buffer flow control enable bit Receive flow control is disabled. Half-duplex mode: no flow control generated collisions are sent. Full-duplex mode: no outgoing pause frames are sent.
		1	Receive flow control is enabled. Half-duplex mode: collisions are initiated when receive buffer flow control is triggered. Full-duplex mode: outgoing pause frames are sent when receive flow control is triggered.
2	Reserved	0	Reserved
1	LOOPBACK	0	Loopback mode. The loopback mode forces internal full-duplex mode regardless of the FULLDUPLEX bit. The loopback bit should be changed only when the GMIEN bit is de-asserted. Loopback mode is disabled
		1	Loopback mode is enabled
0	FULLDUPLEX	0	Full duplex mode. The gigabit mode forces full duplex mode regardless of whether the FULLDUPLEX bit is set or not. Half-duplex mode is enabled
		1	Full-duplex mode is enabled

5.30 MAC Status Register (MACSTATUS)

The MAC status register (MACSTATUS) is shown in [Figure 72](#) and described in [Table 66](#).

Figure 72. MAC Status Register (MACSTATUS)

31	30					24
IDLE		Reserved				
R-0		R-0				
23	20		19	18	16	
TXERRCODE		Reserved		TXERRCH		
R-0		R-0		R-0		
15	12		11	10	8	
RXERRCODE		Reserved		RXERRCH		
R-0		R-0		R-0		
7	5	4	3	2	1	0
Reserved		RDMIIGIG	RGMIIFULLDUPLEX	RXQOSACT	RXFLOWACT	TXFLOWACT
R-0		R-x	R-x	R-0	R-0	R-0

LEGEND: R/W = Read/Write; R = Read only; -n = value after reset

Table 66. MAC Status Register (MACSTATUS) Field Descriptions

Bit	Field	Value	Description
31	IDLE	0 1	EMAC idle bit. This bit is set to 0 at reset; one clock after reset it goes to 1. The EMAC is not idle The EMAC is in the idle state
30-24	Reserved	0	Reserved
23-20	TXERRCODE	0 1h 2h 3h 4h 5h 6h	Transmit host error code. These bits indicate that EMAC detected transmit DMA related host errors. The host should read this field after a host error interrupt (HOSTPEND) to determine the error. Host error interrupts require a hardware reset in order to recover. A zero packet length is an error, but it is not detected. No error SOP error; the buffer is the first buffer in a packet, but the SOP bit is not set in software. Ownership bit not set in SOP buffer Zero next buffer descriptor pointer without EOP Zero buffer pointer Zero buffer length Packet length error (sum of buffers < packet length)
19	Reserved	0	Reserved
18-16	TXERRCH	0-3h 0 1h 2h 3h 4h 5h 6h 7h	Transmit host error channel. These bits indicate on which transmit channel the host error occurred. This field is cleared to 0 on a host read. The host error occurred on transmit channel 0. The host error occurred on transmit channel 1. The host error occurred on transmit channel 2. The host error occurred on transmit channel 3. The host error occurred on transmit channel 4. The host error occurred on transmit channel 5. The host error occurred on transmit channel 6. The host error occurred on transmit channel 7.

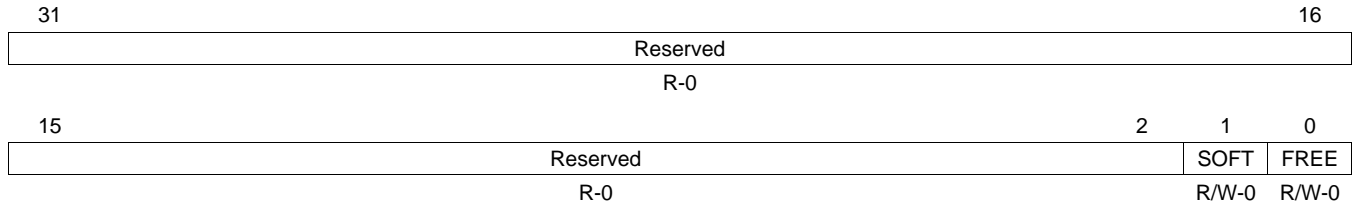
Table 66. MAC Status Register (MACSTATUS) Field Descriptions (continued)

Bit	Field	Value	Description
15-12	RXERRCODE	0 2h 4h	Receive host error code. These bits indicate that EMAC detected receive DMA related host errors. The host should read this field after a host error interrupt (HOSTPEND) to determine the error. Host error interrupts require a hardware reset in order to recover. No error Ownership bit not set in SOP buffer. Zero buffer pointer
11	Reserved	0	Reserved
10-8	RXERRCH	0-3h 0 1h 2h 3h 4h 5h 6h 7h	Receive host error channel. These bits indicate on which receive channel the host error occurred. This field is cleared to 0 on a host read. The host error occurred on receive channel 0. The host error occurred on receive channel 1. The host error occurred on receive channel 2. The host error occurred on receive channel 3. The host error occurred on receive channel 4. The host error occurred on receive channel 5. The host error occurred on receive channel 6. The host error occurred on receive channel 7.
7-5	Reserved	0	Reserved
4	RGMIIGIG		RGMIIG gigabit. This is the value of RGMIIGIG input.
3	RGMIIFULLDUPLEX		RGMIIFULL duplex. This is the value of RGMIIFULLDUPLEX input.
2	RXQOSACT	0 1	Receive Quality of Service (QOS) active bit. When asserted, indicates that receive quality of service is enabled and that at least one channel freebuffer count (RXnFREEBUFFER) is less than or equal to the RXFILTERLOWTHRESH value. Receive quality of service is disabled. Receive quality of service is enabled.
1	RXFLOWACT	0 1	Receive flow control active bit. When asserted, indicates that at least one channel freebuffer count (RXnFREEBUFFER) is less than or equal to the channel's corresponding RXnFILTERTHRESH value. Receive flow control is inactive Receive flow control is active
0	TXFLOWACT	0 1	Transmit flow control active bit. When asserted, this bit indicates that the pause time period is being observed for a received pause frame. No new transmissions will begin while this bit is asserted except for the transmission of pause frames. Any transmission in progress when this bit is asserted will complete. Transmit flow control is inactive Transmit flow control is active

5.31 Emulation Control Register (EMCONTROL)

The emulation control register (EMCONTROL) is shown in [Figure 73](#) and described in [Table 67](#).

Figure 73. Emulation Control Register (EMCONTROL)



LEGEND: R/W = Read/Write; R = Read only; -n = value after reset

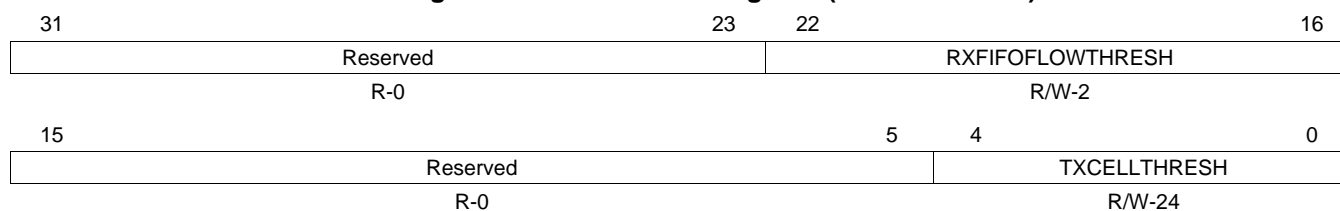
Table 67. Emulation Control Register (EMCONTROL) Field Descriptions

Bit	Field	Value	Description
31-2	Reserved	0	Reserved
1	SOFT		Emulation soft bit
0	FREE		Emulation free bit

5.32 FIFO Control Register (FIFOCONTROL)

The FIFO control register (FIFOCONTROL) is shown in [Figure 74](#) and described in [Table 68](#).

Figure 74. FIFO Control Register (FIFOCONTROL)



LEGEND: R/W = Read/Write; R = Read only; -n = value after reset

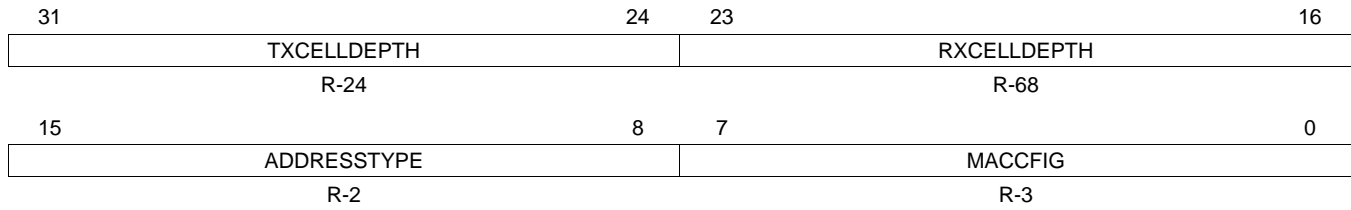
Table 68. FIFO Control Register (FIFOCONTROL) Field Descriptions

Bit	Field	Value	Description
31-23	Reserved	0	Reserved
22-16	RXFIFOWFLOWTHRESH		Receive FIFO flow control threshold. Occupancy of the receive FIFO when Receive FIFO flow control is triggered (if enabled). The default value is 0x2, which means that receive FIFO flow control is triggered when the occupancy of the FIFO reaches two cells.
15-5	Reserved	0	Reserved
4-0	TXCELLTHRESH		Transmit FIFO cell threshold. Indicates the number of 64-byte packet cells required to be in the transmit FIFO before the packet transfer is initiated. Packets with fewer cells are initiated when the complete packet is contained in the FIFO. This value must be greater than or equal to 2 and less than or equal to 24.

5.33 MAC Configuration Register (MACCONFIG)

The MAC configuration register (MACCONFIG) is shown in [Figure 75](#) and described in [Table 69](#).

Figure 75. MAC Configuration Register (MACCONFIG)



LEGEND: R/W = Read/Write; R = Read only; -n = value after reset

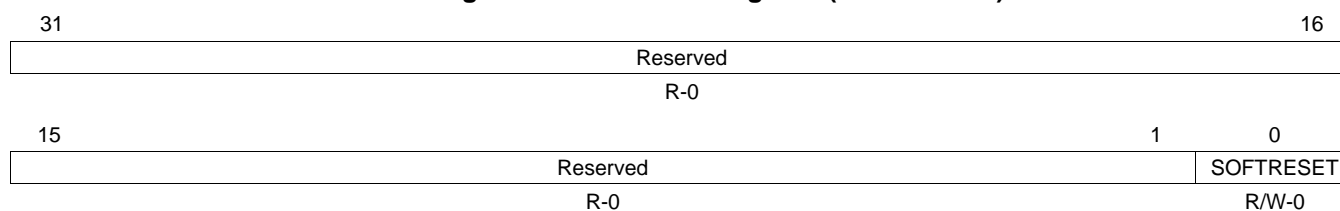
Table 69. MAC Configuration Register (MACCONFIG) Field Descriptions

Bit	Field	Value	Description
31-24	TXCELLDEPTH		Transmit cell depth. These bits indicate the number of cells in the transmit FIFO.
23-16	RXCELLDEPTH		Receive cell depth. These bits indicate the number of cells in the receive FIFO.
15-8	ADDRESSTYPE		Address type
7-0	MACCFIG		MAC configuration value

5.34 Soft Reset Register (SOFTRESET)

The soft reset register (SOFTRESET) is shown in [Figure 76](#) and described in [Table 70](#).

Figure 76. Soft Reset Register (SOFTRESET)



LEGEND: R/W = Read/Write; R = Read only; -n = value after reset

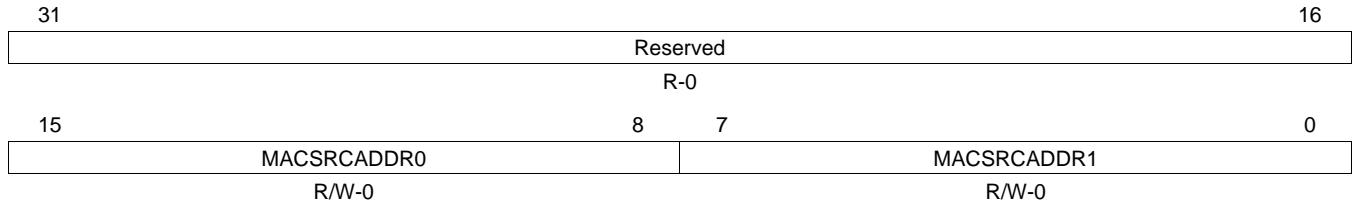
Table 70. Soft Reset Register (SOFTRESET) Field Descriptions

Bit	Field	Value	Description
31-1	Reserved	0	Reserved
0	SOFTRESET	0	Software reset. Writing a one to this bit causes the EMAC logic to be reset. Software reset occurs when the receive and transmit DMA controllers are in an idle state to avoid locking up the Configuration bus. After writing a one to this bit, it may be polled to determine if the reset has occurred. If a one is read, the reset has not yet occurred. If a zero is read, then reset has occurred.
		0	A software reset has not occurred
		1	A software reset has occurred

5.35 MAC Source Address Low Bytes Register (MACSRCADDRLO)

The MAC source address low bytes register (MACSRCADDRLO) is shown in [Figure 77](#) and described in [Table 71](#).

Figure 77. MAC Source Address Low Bytes Register (MACSRCADDRLO)



LEGEND: R/W = Read/Write; R = Read only; -n = value after reset

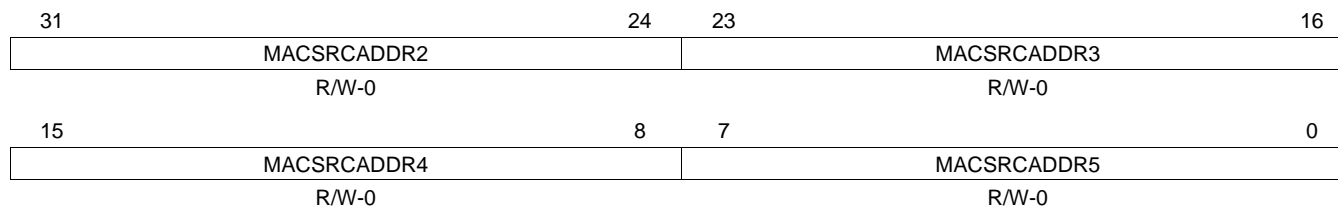
Table 71. MAC Source Address Low Bytes Register (MACSRCADDRLO) Field Descriptions

Bit	Field	Value	Description
31-16	Reserved	0	Reserved
15-8	MACSRCADDR0		MAC source address lower 8 bits (byte 0)
7-0	MACSRCADDR1		MAC source address bits 15-8 (byte 1)

5.36 MAC Source Address High Bytes Register (MACSRCADDRHI)

The MAC source address high bytes register (MACSRCADDRHI) is shown in [Figure 78](#) and described in [Table 72](#).

Figure 78. MAC Source Address High Bytes Register (MACSRCADDRHI)



LEGEND: R/W = Read/Write; R = Read only; -n = value after reset

Table 72. MAC Source Address High Bytes Register (MACSRCADDRHI) Field Descriptions

Bit	Field	Value	Description
31-24	MACSRCADDR2		MAC source address bits 23-16 (byte 2)
23-16	MACSRCADDR3		MAC source address bits 31-24 (byte 3)
15-8	MACSRCADDR4		MAC source address bits 39-32 (byte 4)
7-0	MACSRCADDR5		MAC source address bits 47-40 (byte 5)

5.37 MAC Hash Address Register 1 (MACHASH1)

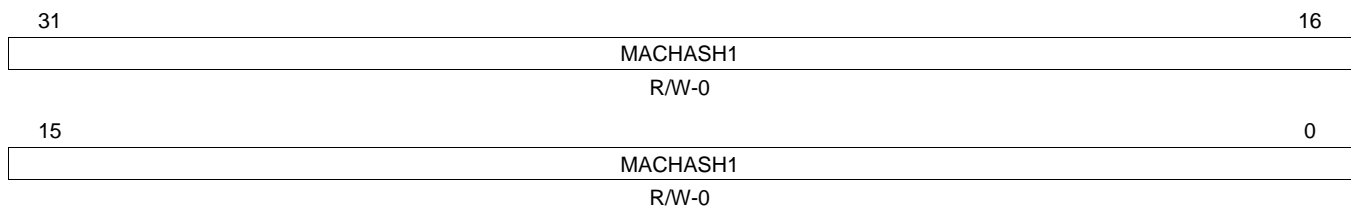
The MAC hash registers allow group addressed frames to be accepted on the basis of a hash function of the address. The hash function creates a 6-bit data value (hash_fun) from the 48-bit destination address (DA) as follows:

```
Hash_fun(0)=DA(0) XOR DA(6) XOR DA(12) XOR DA(18) XOR DA(24) XOR DA(30) XOR DA(36) XOR DA(42);
Hash_fun(1)=DA(1) XOR DA(7) XOR DA(13) XOR DA(19) XOR DA(25) XOR DA(31) XOR DA(37) XOR DA(43);
Hash_fun(2)=DA(2) XOR DA(8) XOR DA(14) XOR DA(20) XOR DA(26) XOR DA(32) XOR DA(38) XOR DA(44);
Hash_fun(3)=DA(3) XOR DA(9) XOR DA(15) XOR DA(21) XOR DA(27) XOR DA(33) XOR DA(39) XOR DA(45);
Hash_fun(4)=DA(4) XOR DA(10) XOR DA(16) XOR DA(22) XOR DA(28) XOR DA(34) XOR DA(40) XOR DA(46);
Hash_fun(5)=DA(5) XOR DA(11) XOR DA(17) XOR DA(23) XOR DA(29) XOR DA(35) XOR DA(41) XOR DA(47);
```

This function is used as an offset into a 64-bit hash table stored in MACHASH1 and MACHASH2 that indicates whether a particular address should be accepted or not.

The MAC hash address register 1 (MACHASH1) is shown in [Figure 79](#) and described in [Table 73](#).

Figure 79. MAC Hash Address Register 1 (MACHASH1)



LEGEND: R/W = Read/Write; -n = value after reset

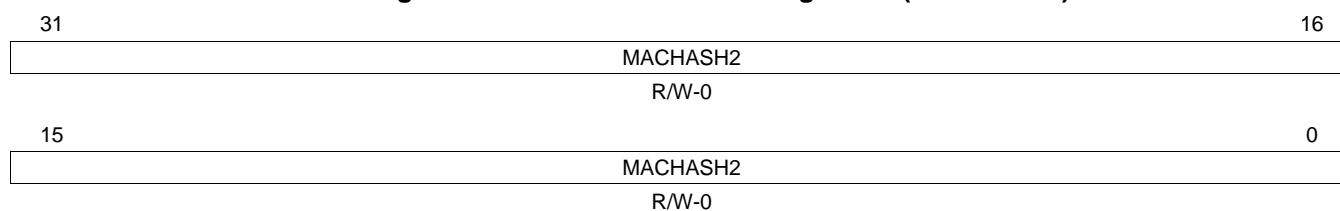
Table 73. MAC Hash Address Register 1 (MACHASH1) Field Descriptions

Bit	Field	Value	Description
31-0	MACHASH1		Least-significant 32 bits of the hash table corresponding to hash values 0 to 31. If a hash table bit is set, then a group address that hashes to that bit index is accepted.

5.38 MAC Hash Address Register 2 (MACHASH2)

The MAC hash address register 2 (MACHASH2) is shown in [Figure 80](#) and described in [Table 74](#).

Figure 80. MAC Hash Address Register 2 (MACHASH2)



LEGEND: R/W = Read/Write; -n = value after reset

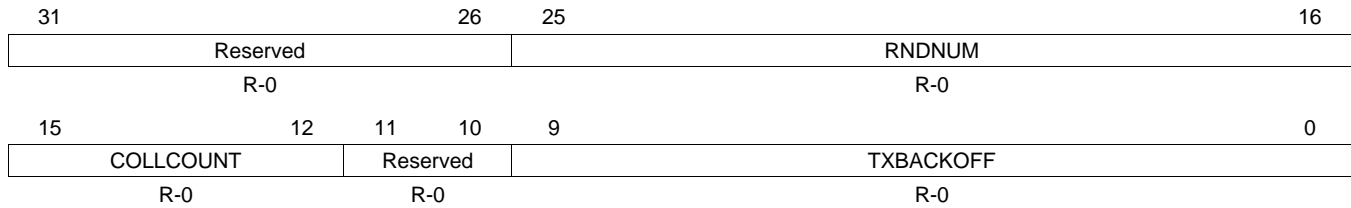
Table 74. MAC Hash Address Register 2 (MACHASH2) Field Descriptions

Bit	Field	Value	Description
31-0	MACHASH2		Most-significant 32 bits of the hash table corresponding to hash values 32 to 63. If a hash table bit is set, then a group address that hashes to that bit index is accepted.

5.39 Back Off Test Register (BOFFTEST)

The back off test register (BOFFTEST) is shown in [Figure 81](#) and described in [Table 75](#).

Figure 81. Back Off Test Register (BOFFTEST)



LEGEND: R = Read only; -n = value after reset

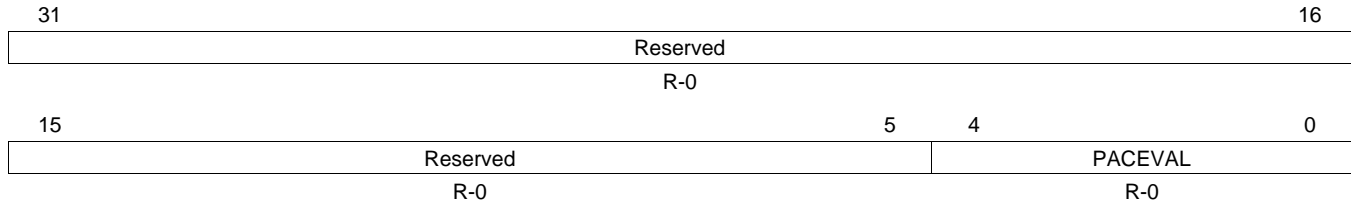
Table 75. Back Off Test Register (BOFFTEST) Field Descriptions

Bit	Field	Value	Description
31-26	Reserved	0	Reserved
25-16	RNDNUM		Back off random number generator. This field allows the Back off Random Number Generator to be read. Reading this field returns the generator's current value. The value is reset to zero and begins counting on the clock after the de-assertion of reset.
15-12	COLLCOUNT		Collision count. These bits indicate the number of collisions the current frame has experienced.
11-10	Reserved	0	Reserved
9-0	TXBACKOFF		Back off count. This field allows the current value of the back off counter to be observed for test purposes. This field is loaded automatically according to the back off algorithm, and is decremented by one for each slot time after the collision.

5.40 Transmit Pacing Algorithm Test Register (TPACETEST)

The transmit pacing algorithm test register (TPACETEST) is shown in [Figure 82](#) and described in [Table 76](#).

Figure 82. Transmit Pacing Algorithm Test Register (TPACETEST)



LEGEND: R = Read only; -n = value after reset

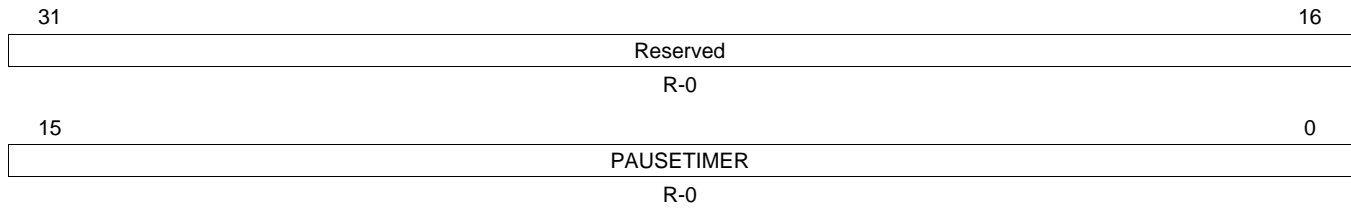
Table 76. Transmit Pacing Algorithm Test Register (TPACETEST) Field Descriptions

Bit	Field	Value	Description
31-5	Reserved	0	Reserved
4-0	PACEVAL		Pacing register current value. A nonzero value in this field indicates that transmit pacing is active. A transmit frame collision or deferral causes PACEVAL to be loaded with 1Fh (31); good frame transmissions (with no collisions or deferrals) cause PACEVAL to be decremented down to 0. When PACEVAL is nonzero, the transmitter delays four Inter Packet Gaps between new frame transmissions after each successfully transmitted frame that had no deferrals or collisions. If a transmit frame is deferred or suffers a collision, the IPG time is not stretched to four times the normal value. Transmit pacing helps reduce capture effects, which improves overall network bandwidth.

5.41 Receive Pause Timer Register (RXPAUSE)

The receive pause timer register (RXPAUSE) is shown in [Figure 83](#) and described in [Table 77](#).

Figure 83. Receive Pause Timer Register (RXPAUSE)



LEGEND: R = Read only; -n = value after reset

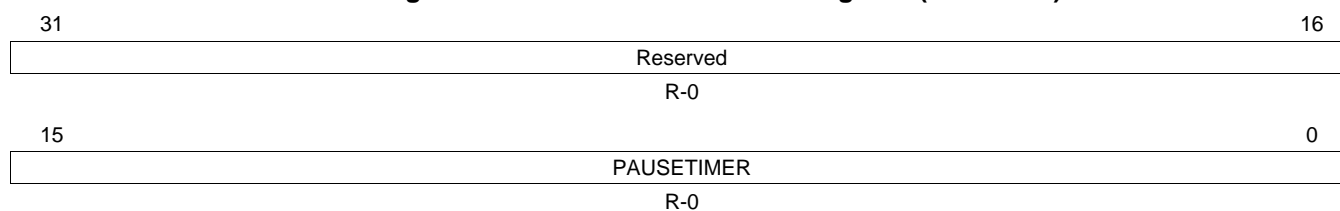
Table 77. Receive Pause Timer Register (RXPAUSE) Field Descriptions

Bit	Field	Value	Description
31-16	Reserved	0	Reserved
15-0	PAUSETIMER		Receive pause timer value. These bits allow the contents of the receive pause timer to be observed. The receive pause timer is loaded with FF00h when the EMAC sends an outgoing pause frame (with pause time of FFFFh). The receive pause timer is decremented at slot time intervals. If the receive pause timer decrements to 0, then another outgoing pause frame is sent and the load/decrement process is repeated.

5.42 Transmit Pause Timer Register (TXPAUSE)

The transmit pause timer register (TXPAUSE) is shown in [Figure 84](#) and described in [Table 78](#).

Figure 84. Transmit Pause Timer Register (TXPAUSE)



LEGEND: R = Read only; -n = value after reset

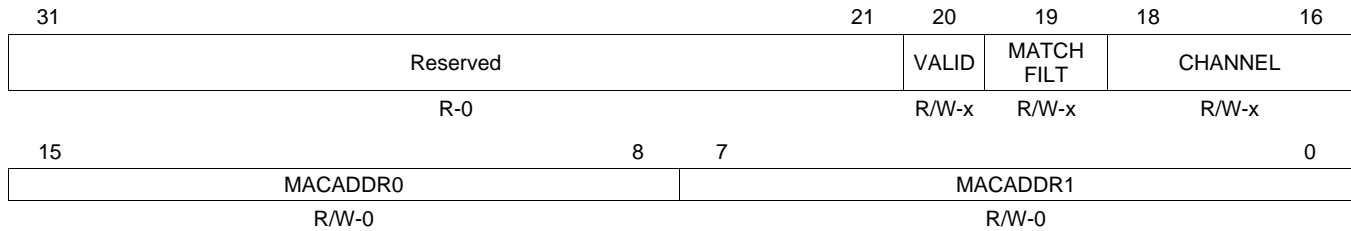
Table 78. Transmit Pause Timer Register (TXPAUSE) Field Descriptions

Bit	Field	Value	Description
31-16	Reserved	0	Reserved
15-0	PAUSETIMER		Transmit pause timer value. These bits allow the contents of the transmit pause timer to be observed. The transmit pause timer is loaded by a received (incoming) pause frame, and then decremented at slot time intervals down to 0 at which time EMAC transmit frames are again enabled.

5.43 MAC Address Low Bytes Register (MACADDRLO)

The MAC address low bytes register (MACADDRLO) is shown in [Figure 85](#) and described in [Table 79](#).

Figure 85. MAC Address Low Bytes Register (MACADDRLO)



LEGEND: R/W = Read/Write; R = Read only; -n = value after reset

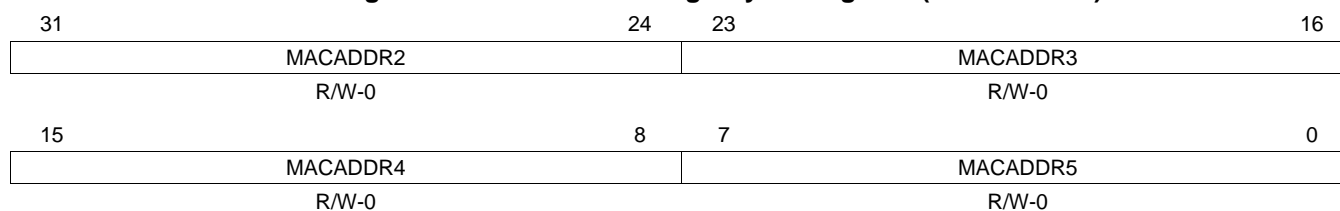
Table 79. MAC Address Low Bytes Register (MACADDRLO) Field Descriptions

Bit	Field	Value	Description
31-21	Reserved	0	Reserved
20	VALID	0	Address valid bit. This bit should be cleared to zero for unused address RAM locations.
		1	Address location is not valid and will not be used in determining whether or not an incoming packet matches or is filtered
		1	Address location is valid and will be used in determining whether or not an incoming packet matches or is filtered
19	MATCHFILT	0	Match or filter bit
		1	The address will be used (if VALID is set) to determine if the incoming packet address should be filtered
		1	The address will be used (if VALID is set) to determine if the incoming packet address is a match
18-16	CHANNEL		Channel bit; determines which receive channel a valid address match will be transferred to. The channel is a don't care if the MATCHFILT bit is cleared to zero.
15-8	MACADDR0		MAC address lower 8 bits (byte 0)
7-0	MACADDR1		MAC address bits 15-8 (byte 1)

5.44 MAC Address High Bytes Register (MACADDRHI)

The MAC address high bytes register (MACADDRHI) is shown in [Figure 86](#) and described in [Table 80](#).

Figure 86. MAC Address High Bytes Register (MACADDRHI)



LEGEND: R/W = Read/Write; -n = value after reset

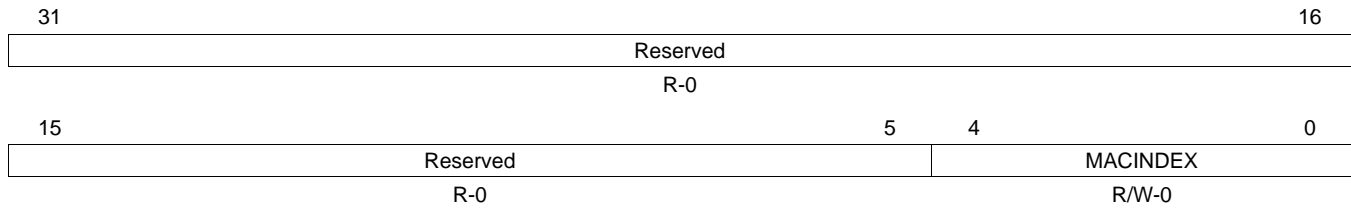
Table 80. MAC Address High Bytes Register (MACADDRHI) Field Descriptions

Bit	Field	Value	Description
31-24	MACADDR2		MAC source address bits 23-16 (byte 2)
23-16	MACADDR3		MAC source address bits 31-24 (byte 3)
15-8	MACADDR4		MAC source address bits 39-32 (byte 4)
7-0	MACADDR5		MAC source address bits 47-40 (byte 5)

5.45 MAC Index Register (MACINDEX)

The MAC index register (MACINDEX) is shown in [Figure 87](#) and described in [Table 81](#).

Figure 87. MAC Index Register (MACINDEX)



LEGEND: R/W = Read/Write; R = Read only; -n = value after reset

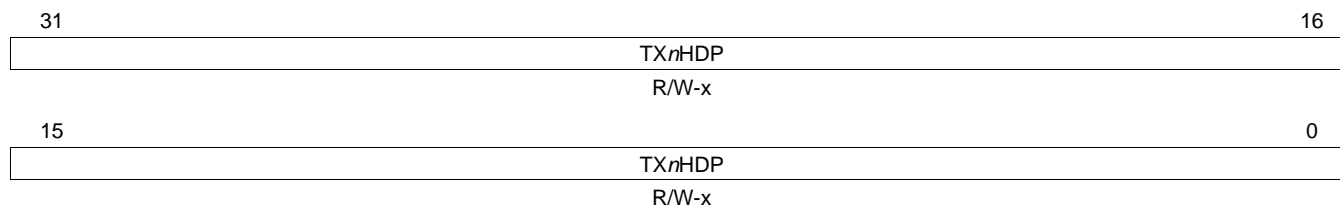
Table 81. MAC Index Register (MACINDEX) Field Descriptions

Bit	Field	Value	Description
31-5	Reserved	0	Reserved
4-0	MACINDEX		MAC address index. The host must write the index into the RX ADDR RAM in the MACINDEX field, followed by the upper 32-bits of address, followed by the lower 16-bits of address (with control bits). The 53-bit indexed ram location is written when the low location is written. All 32 address RAM locations must be initialized prior to enabling packet reception.

5.46 Transmit Channel 0-7 DMA Head Descriptor Pointer Register (TXnHDP)

The transmit channel 0-7 DMA head descriptor pointer register (TXnHDP) is shown in [Figure 88](#) and described in [Table 82](#).

Figure 88. Transmit Channel n DMA Head Descriptor Pointer Register (TXnHDP)



LEGEND: R/W = Read/Write; - n = value after reset

Table 82. Transmit Channel n DMA Head Descriptor Pointer Register (TXnHDP) Field Descriptions

Bit	Field	Value	Description
31-0	TXnHDP		Transmit channel n DMA Head Descriptor pointer. Writing a transmit DMA buffer descriptor address to a head pointer location initiates transmit DMA operations in the queue for the selected channel. Writing to these locations when they are nonzero is an error (except at reset). Host software must initialize these locations to zero on reset.

5.47 Receive Channel 0-7 DMA Head Descriptor Pointer Register (RXnHDP)

The receive channel 0-7 DMA head descriptor pointer register (RXnHDP) is shown in [Figure 89](#) and described in [Table 83](#).

Figure 89. Receive Channel *n* DMA Head Descriptor Pointer Register (RXnHDP)



LEGEND: R/W = Read/Write; -*n* = value after reset

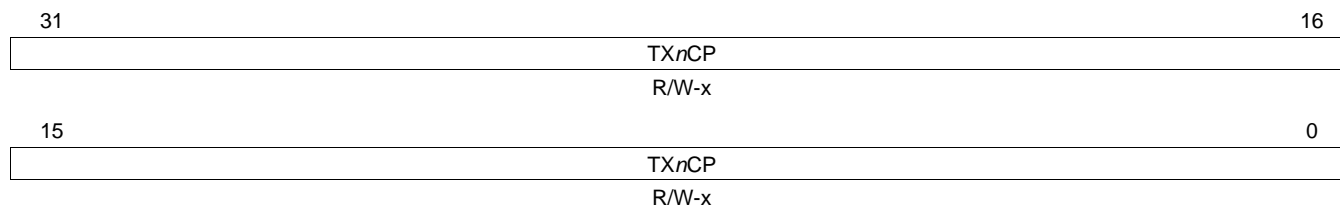
Table 83. Receive Channel *n* DMA Head Descriptor Pointer Register (RXnHDP) Field Descriptions

Bit	Field	Value	Description
31-0	RXnHDP		Receive channel <i>n</i> DMA Head Descriptor pointer. Writing a receive DMA buffer descriptor address to this location allows receive DMA operations in the selected channel when a channel frame is received. Writing to these locations when they are nonzero is an error (except at reset). Host software must initialize these locations to zero on reset.

5.48 Transmit Channel 0-7 Completion Pointer Register (TX_nCP)

The transmit channel 0-7 completion pointer register (TX_nCP) is shown in [Figure 90](#) and described in [Table 84](#).

Figure 90. Transmit Channel *n* Completion Pointer Register (TX_nCP)



LEGEND: R/W = Read/Write; -*n* = value after reset

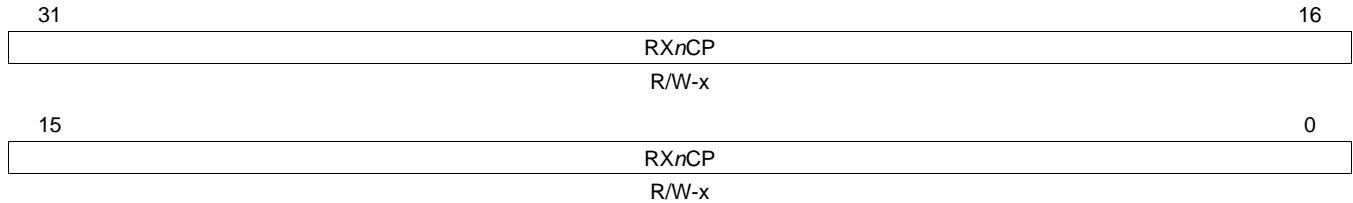
Table 84. Transmit Channel *n* Completion Pointer Register (TX_nCP) Field Descriptions

Bit	Field	Value	Description
31-0	TX _n CP		Transmit channel <i>n</i> completion pointer register is written by the host with the buffer descriptor address for the last buffer processed by the host during interrupt processing. The EMAC uses the value written to determine if the interrupt should be de-asserted.

5.49 Receive Channel 0-7 Completion Pointer Register (RX_nCP)

The receive channel 0-7 completion pointer register (RX_nCP) is shown in [Figure 91](#) and described in [Table 85](#).

Figure 91. Receive Channel *n* Completion Pointer Register (RX_nCP)



LEGEND: R/W = Read/Write; -*n* = value after reset

Table 85. Receive Channel *n* Completion Pointer Register (RX_nCP) Field Descriptions

Bit	Field	Value	Description
31-0	RX _n CP		Receive channel <i>n</i> completion pointer register is written by the host with the buffer descriptor address for the last buffer processed by the host during interrupt processing. The EMAC uses the value written to determine if the interrupt should be de-asserted.

5.50 Network Statistics Registers

The EMAC has a set of statistics that record events associated with frame traffic. The statistics values are cleared to zero 38 clocks after the rising edge of reset. When the GMIIEN bit in the MACCONTROL register is set, all statistics registers are write-to-decrement. The value written is subtracted from the register value with the result stored in the register. If a value greater than the statistics value is written, then zero is written to the register (writing FFFF FFFFh clears a statistics location). When the GMIIEN bit is cleared, all statistics registers are read/write (normal write direct, so writing 0000 0000h clears a statistics location). All write accesses must be 32-bit accesses.

The statistics interrupt (STATPEND) is issued, if enabled, when any statistics value is greater than or equal to 8000 0000h. The statistics interrupt is removed by writing to decrement any statistics value greater than 8000 0000h. The statistics are mapped into internal memory space and are 32-bits wide. All statistics roll over from FFFF FFFFh to 0000 0000h.

The network statistics register is shown in [Figure 92](#) and described in [Table 86](#).

Figure 92. Statistics Register

31	COUNT	16
	R/W-0	
15	COUNT	0
	R/W-0	

LEGEND: R/W = Read/Write; -n = value after reset

Table 86. Statistics Register Field Descriptions

Bit	Field	Value	Description
31-0	COUNT		Count

5.50.1 Good Receive Frames Register (RXGOODFRAMES)

The total number of good frames received on the EMAC. A good frame is defined as having all of the following:

- Any data or MAC control frame that matched a unicast, broadcast, or multicast address, or matched due to promiscuous mode
- Was of length 64 to RXMAXLEN bytes inclusive
- Had no CRC error, alignment error, or code error

See [Section 2.5.5](#) for definitions of alignment, code, and CRC errors. Overruns have no effect on this statistic.

5.50.2 Broadcast Receive Frames Register (RXBCASTFRAMES)

The total number of good broadcast frames received on the EMAC. A good broadcast frame is defined as having all of the following:

- Any data or MAC control frame that was destined for address FF-FF-FF-FF-FF-FFh only
- Was of length 64 to RXMAXLEN bytes inclusive
- Had no CRC error, alignment error, or code error

See [Section 2.5.5](#) for definitions of alignment, code, and CRC errors. Overruns have no effect on this statistic.

5.50.3 Multicast Receive Frames Register (RXMCASTFRAMES)

The total number of good multicast frames received on the EMAC. A good multicast frame is defined as having all of the following:

- Any data or MAC control frame that was destined for any multicast address other than FF-FF-FF-FF-FF-FFh
- Was of length 64 to RXMAXLEN bytes inclusive
- Had no CRC error, alignment error, or code error

See [Section 2.5.5](#) for alignment/code/CRC error definitions. Overruns have no effect on this statistic.

5.50.4 Pause Receive Frames Register (RXPAUSEFRAMES)

The total number of IEEE 802.3X pause frames received by the EMAC (whether acted upon or not). A pause frame is defined as having all of the following:

- Contained any unicast, broadcast, or multicast address
- Contained the length/type field value 88.08h and the opcode 0001h
- Was of length 64 to RXMAXLEN bytes inclusive
- Had no CRC error, alignment error, or code error
- Pause-frames had been enabled on the EMAC (TXFLOWEN bit is set in MACCONTROL).

The EMAC could have been in either half-duplex or full-duplex mode. See [Section 2.5.5](#) for alignment/code/CRC error definitions. Overruns have no effect on this statistic.

5.50.5 Receive CRC Errors Register (RXCRCERRORS)

The total number of frames received on the EMAC that experienced a CRC error. A frame with CRC errors is defined as having all of the following:

- Was any data or MAC control frame that matched a unicast, broadcast, or multicast address, or matched due to promiscuous mode
- Was of length 64 to RXMAXLEN bytes inclusive
- Had no alignment or code error
- Had a CRC error. A CRC error is defined as having all of the following:
 - A frame containing an even number of nibbles
 - Fails the frame check sequence test

See [Section 2.5.5](#) for definitions of alignment and code errors. Overruns have no effect on this statistic.

5.50.6 Receive Alignment/Code Errors Register (RXALIGNCODEERRORS)

The total number of frames received on the EMAC that experienced an alignment error or code error. Such a frame is defined as having all of the following:

- Was any data or MAC control frame that matched a unicast, broadcast, or multicast address, or matched due to promiscuous mode
- Was of length 64 to RXMAXLEN bytes inclusive
- Had either an alignment error or a code error
 - An alignment error is defined as having all of the following:
 - A frame containing an odd number of nibbles
 - Fails the frame check sequence test, if the final nibble is ignored
 - A code error is defined as a frame that has been discarded because the EMACs MRXER pin is driven with a one for at least one bit-time's duration at any point during the frame's reception.

Overruns have no effect on this statistic.

CRC alignment or code errors can be calculated by summing receive alignment errors, receive code errors, and receive CRC errors.

5.50.7 Receive Oversized Frames Register (RXOVERSIZED)

The total number of oversized frames received on the EMAC. An oversized frame is defined as having all of the following:

- Was any data or MAC control frame that matched a unicast, broadcast, or multicast address, or matched due to promiscuous mode
- Was greater than RXMAXLEN in bytes
- Had no CRC error, alignment error, or code error

See [Section 2.5.5](#) for definitions of alignment, code/CRC errors. Overruns have no effect on this statistic.

5.50.8 Receive Jabber Frames Register (RXJABBER)

The total number of jabber frames received on the EMAC. A jabber frame is defined as having all of the following:

- Was any data or MAC control frame that matched a unicast, broadcast, or multicast address, or matched due to promiscuous mode
- Was greater than RXMAXLEN bytes long
- Had a CRC error, alignment error, or code error

See [Section 2.5.5](#) for definitions of alignment, code, and CRC errors. Overruns have no effect on this statistic.

5.50.9 Receive Undersized Frames Register (RXUNDERSIZED)

The total number of undersized frames received on the EMAC. An undersized frame is defined as having all of the following:

- Was any data frame that matched a unicast, broadcast, or multicast address, or matched due to promiscuous mode
- Was less than 64 bytes long
- Had no CRC error, alignment error, or code error

See [Section 2.5.5](#) for definitions of alignment, code, and CRC errors. Overruns have no effect on this statistic.

5.50.10 Receive Frame Fragments Register (RXFRAGMENTS)

The total number of frame fragments received on the EMAC. A frame fragment is defined as having all of the following:

- Any data frame (address matching does not matter)
- Was less than 64 bytes long
- Had a CRC error, alignment error, or code error
- Was not the result of a collision caused by half duplex, collision based flow control

See [Section 2.5.5](#) for definitions of alignment, code, and CRC errors. Overruns have no effect on this statistic.

5.50.11 Filtered Receive Frames Register (RXFILTERED)

The total number of frames received on the EMAC that the EMAC address matching process indicated should be discarded. Such a frame is defined as having all of the following:

- Was any data frame (not MAC control frame) destined for any unicast, broadcast, or multicast address
- Did not experience any CRC error, alignment error, code error
- The address matching process decided that the frame should be discarded (filtered) because it did not match the unicast, broadcast, or multicast address, and it did not match due to promiscuous mode.

To determine the number of receive frames discarded by the EMAC for any reason, sum the following statistics (promiscuous mode disabled):

- Receive fragments
- Receive undersized frames
- Receive CRC errors
- Receive alignment/code errors
- Receive jabbers
- Receive overruns
- Receive filtered frames

This may not be an exact count because the receive overruns statistic is independent of the other statistics, so if an overrun occurs at the same time as one of the other discard reasons, then the above sum double-counts that frame.

5.50.12 Receive QOS Filtered Frames Register (RXQOSFILTERED)

The total number of frames received on the EMAC that were filtered due to receive quality of service (QOS) filtering. Such a frame is defined as having all of the following:

- Any data or MAC control frame that matched a unicast, broadcast, or multicast address, or matched due to promiscuous mode
- The frame destination channel flow control threshold register (RX n FLOWTHRESH) value was greater than or equal to the channel's corresponding free buffer register (RX n FREEBUFFER) value
- Was of length 64 to RXMAXLEN
- RXQOSEN bit is set in RXMBPENABLE
- Had no CRC error, alignment error, or code error

See [Section 2.5.5](#) for definitions of alignment, code, and CRC errors. Overruns have no effect on this statistic.

5.50.13 Receive Octet Frames Register (RXOCTETS)

The total number of bytes in all good frames received on the EMAC. A good frame is defined as having all of the following:

- Any data or MAC control frame that matched a unicast, broadcast, or multicast address, or matched due to promiscuous mode
- Was of length 64 to RXMAXLEN bytes inclusive
- Had no CRC error, alignment error, or code error

See [Section 2.5.5](#) for definitions of alignment, code, and CRC errors. Overruns have no effect on this statistic.

5.50.14 Good Transmit Frames Register (TXGOODFRAMES)

The total number of good frames transmitted on the EMAC. A good frame is defined as having all of the following:

- Any data or MAC control frame that was destined for any unicast, broadcast, or multicast address
- Was any length
- Had no late or excessive collisions, no carrier loss, and no underrun

5.50.15 Broadcast Transmit Frames Register (TXBCASTFRAMES)

The total number of good broadcast frames transmitted on the EMAC. A good broadcast frame is defined as having all of the following:

- Any data or MAC control frame destined for address FF-FF-FF-FF-FF-FFh only
- Was of any length
- Had no late or excessive collisions, no carrier loss, and no underrun

5.50.16 Multicast Transmit Frames Register (TXMCASTFRAMES)

The total number of good multicast frames transmitted on the EMAC. A good multicast frame is defined as having all of the following:

- Any data or MAC control frame destined for any multicast address other than FF-FF-FF-FF-FF-FFh
- Was of any length
- Had no late or excessive collisions, no carrier loss, and no underrun

5.50.17 Pause Transmit Frames Register (TXPAUSEFRAMES)

The total number of IEEE 802.3X pause frames transmitted by the EMAC. Pause frames cannot underrun or contain a CRC error because they are created in the transmitting MAC, so these error conditions have no effect on this statistic. Pause frames sent by software are not included in this count. Since pause frames are only transmitted in full-duplex mode, carrier loss and collisions have no effect on this statistic.

Transmitted pause frames are always 64-byte multicast frames, so appear in the multicast transmit frames register and 64 octet frames register statistics.

5.50.18 Deferred Transmit Frames Register (TXDEFERRED)

The total number of frames transmitted on the EMAC that first experienced deferment. Such a frame is defined as having all of the following:

- Was any data or MAC control frame destined for any unicast, broadcast, or multicast address
- Was any size
- Had no carrier loss and no underrun
- Experienced no collisions before being successfully transmitted
- Found the medium busy when transmission was first attempted, so had to wait.

CRC errors have no effect on this statistic.

5.50.19 Transmit Collision Frames Register (TXCOLLISION)

The total number of times that the EMAC experienced a collision. Collisions occur under two circumstances:

- When a transmit data or MAC control frame has all of the following:
 - Was destined for any unicast, broadcast, or multicast address
 - Was any size
 - Had no carrier loss and no underrun
 - Experienced a collision. A jam sequence is sent for every non-late collision, so this statistic increments on each occasion if a frame experiences multiple collisions (and increments on late collisions).

CRC errors have no effect on this statistic.
- When the EMAC is in half-duplex mode, flow control is active, and a frame reception begins.

5.50.20 Transmit Single Collision Frames Register (TXSINGLECOLL)

The total number of frames transmitted on the EMAC that experienced exactly one collision. Such a frame is defined as having all of the following:

- Was any data or MAC control frame destined for any unicast, broadcast, or multicast address

- Was any size
- Had no carrier loss and no underrun
- Experienced one collision before successful transmission. The collision was not late.

CRC errors have no effect on this statistic.

5.50.21 Transmit Multiple Collision Frames Register (TXMULTICOLL)

The total number of frames transmitted on the EMAC that experienced multiple collisions. Such a frame is defined as having all of the following:

- Was any data or MAC control frame destined for any unicast, broadcast, or multicast address
- Was any size
- Had no carrier loss and no underrun
- Experienced 2 to 15 collisions before being successfully transmitted. None of the collisions were late.

CRC errors have no effect on this statistic.

5.50.22 Transmit Excessive Collision Frames Register (TXEXCESSIVECOLL)

The total number of frames when transmission was abandoned due to excessive collisions. Such a frame is defined as having all of the following:

- Was any data or MAC control frame destined for any unicast, broadcast, or multicast address
- Was any size
- Had no carrier loss and no underrun
- Experienced 16 collisions before abandoning all attempts at transmitting the frame. None of the collisions were late.

CRC errors have no effect on this statistic.

5.50.23 Transmit Late Collision Frames Register (TXLATECOLL)

The total number of frames when transmission was abandoned due to a late collision. Such a frame is defined as having all of the following:

- Was any data or MAC control frame destined for any unicast, broadcast, or multicast address
- Was any size
- Had no carrier loss and no underrun
- Experienced a collision later than 512 bit-times into the transmission. There may have been up to 15 previous (non-late) collisions that had previously required the transmission to be re-attempted. The late collisions statistic dominates over the single, multiple, and excessive collisions statistics. If a late collision occurs, the frame is not counted in any of these other three statistics.

CRC errors, carrier loss, and underrun have no effect on this statistic.

5.50.24 Transmit Underrun Error Register (TXUNDERRUN)

The number of frames sent by the EMAC that experienced FIFO underrun. Late collisions, CRC errors, carrier loss, and underrun have no effect on this statistic.

5.50.25 Transmit Carrier Sense Errors Register (TXCARRIERSENSE)

The total number of frames on the EMAC that experienced carrier loss. Such a frame is defined as having all of the following:

- Was any data or MAC control frame destined for any unicast, broadcast, or multicast address
- Was any size
- The carrier sense condition was lost or never asserted when transmitting the frame (the frame is not re-transmitted)

CRC errors and underrun have no effect on this statistic.

5.50.26 Transmit Octet Frames Register (TXOCTETS)

The total number of bytes in all good frames transmitted on the EMAC. A good frame is defined as having all of the following:

- Any data or MAC control frame that was destined for any unicast, broadcast, or multicast address
- Was any length
- Had no late or excessive collisions, no carrier loss, and no underrun

5.50.27 Transmit and Receive 64 Octet Frames Register (FRAME64)

The total number of 64-byte frames received and transmitted on the EMAC. Such a frame is defined as having all of the following:

- Any data or MAC control frame that was destined for any unicast, broadcast, or multicast address
- Did not experience late collisions, excessive collisions, underrun, or carrier sense error
- Was exactly 64-bytes long. (If the frame was being transmitted and experienced carrier loss that resulted in a frame of this size being transmitted, then the frame is recorded in this statistic.)

CRC errors, alignment/code errors, and overruns do not affect the recording of frames in this statistic.

5.50.28 Transmit and Receive 65 to 127 Octet Frames Register (FRAME65T127)

The total number of 65-byte to 127-byte frames received and transmitted on the EMAC. Such a frame is defined as having all of the following:

- Any data or MAC control frame that was destined for any unicast, broadcast, or multicast address
- Did not experience late collisions, excessive collisions, underrun, or carrier sense error
- Was 65-bytes to 127-bytes long

CRC errors, alignment/code errors, underruns, and overruns do not affect the recording of frames in this statistic.

5.50.29 Transmit and Receive 128 to 255 Octet Frames Register (FRAME128T255)

The total number of 128-byte to 255-byte frames received and transmitted on the EMAC. Such a frame is defined as having all of the following:

- Any data or MAC control frame that was destined for any unicast, broadcast, or multicast address
- Did not experience late collisions, excessive collisions, underrun, or carrier sense error
- Was 128-bytes to 255-bytes long

CRC errors, alignment/code errors, underruns, and overruns do not affect the recording of frames in this statistic.

5.50.30 Transmit and Receive 256 to 511 Octet Frames Register (FRAME256T511)

The total number of 256-byte to 511-byte frames received and transmitted on the EMAC. Such a frame is defined as having all of the following:

- Any data or MAC control frame that was destined for any unicast, broadcast, or multicast address
- Did not experience late collisions, excessive collisions, underrun, or carrier sense error
- Was 256-bytes to 511-bytes long

CRC errors, alignment/code errors, underruns, and overruns do not affect the recording of frames in this statistic.

5.50.31 Transmit and Receive 512 to 1023 Octet Frames Register (FRAME512T1023)

The total number of 512-byte to 1023-byte frames received and transmitted on the EMAC. Such a frame is defined as having all of the following:

- Any data or MAC control frame that was destined for any unicast, broadcast, or multicast address
- Did not experience late collisions, excessive collisions, underrun, or carrier sense error
- Was 512-bytes to 1023-bytes long

CRC errors, alignment/code errors, and overruns do not affect the recording of frames in this statistic.

5.50.32 Transmit and Receive 1024 to RXMAXLEN Octet Frames Register (FRAME1024TUP)

The total number of 1024-byte to RXMAXLEN-byte frames received and transmitted on the EMAC. Such a frame is defined as having all of the following:

- Any data or MAC control frame that was destined for any unicast, broadcast, or multicast address
- Did not experience late collisions, excessive collisions, underrun, or carrier sense error
- Was 1024-bytes to RXMAXLEN-bytes long

CRC/alignment/code errors, underruns, and overruns do not affect frame recording in this statistic.

5.50.33 Network Octet Frames Register (NETOCTETS)

The total number of bytes of frame data received and transmitted on the EMAC. Each frame counted has all of the following:

- Was any data or MAC control frame destined for any unicast, broadcast, or multicast address (address match does not matter)
- Was of any size (including less than 64-byte and greater than RXMAXLEN-byte frames)

Also counted in this statistic is:

- Every byte transmitted before a carrier-loss was experienced
- Every byte transmitted before each collision was experienced (multiple retries are counted each time)
- Every byte received if the EMAC is in half-duplex mode until a jam sequence was transmitted to initiate flow control. (The jam sequence is not counted to prevent double-counting).

Error conditions such as alignment errors, CRC errors, code errors, overruns, and underruns do not affect the recording of bytes in this statistic. The objective of this statistic is to give a reasonable indication of Ethernet utilization.

5.50.34 Receive FIFO or DMA Start-of-Frame Overruns Register (RXSOFOVERRUNS)

The total number of frames received on the EMAC that had either a FIFO or DMA start-of-frame (SOF) overrun. An SOF overrun frame is defined as having all of the following:

- Was any data or MAC control frame that matched a unicast, broadcast, or multicast address, or matched due to promiscuous mode
- Was of any size (including less than 64-byte and greater than RXMAXLEN-byte frames)
- The EMAC was unable to receive it because it did not have the resources to receive it (cell FIFO full or no DMA buffer available at the start of the frame).

CRC errors, alignment errors, and code errors have no effect on this statistic.

5.50.35 Receive FIFO or DMA Middle-of-Frame Overruns Register (RXMOFOVERRUNS)

The total number of frames received on the EMAC that had either a FIFO or DMA middle-of-frame (MOF) overrun. An MOF overrun frame is defined as having all of the following:

- Was any data or MAC control frame that matched a unicast, broadcast, or multicast address, or matched due to promiscuous mode
- Was of any size (including less than 64-byte and greater than RXMAXLEN-byte frames)
- The EMAC was unable to receive it because it did not have the resources to receive it (cell FIFO full or no DMA buffer available after the frame was successfully started, no SOF overrun)

CRC errors, alignment errors, and code errors have no effect on this statistic.

5.50.36 Receive DMA Start-of-Frame and Middle-of-Frame Overruns Register (RXDMAOVERRUNS)

The total number of frames received on the EMAC that had either a DMA start-of-frame (SOF) overrun or a DMA middle-of-frame (MOF) overrun. A receive DMA overrun frame is defined as having all of the following:

- Was any data or MAC control frame that matched a unicast, broadcast, or multicast address, or matched due to promiscuous mode
- Was of any size (including less than 64-byte and greater than RXMAXLEN-byte frames)
- The EMAC was unable to receive it because it did not have the DMA buffer resources to receive it (zero head descriptor pointer at the start or during the middle of the frame reception).

CRC errors, alignment errors, and code errors have no effect on this statistic.

Appendix A Glossary

Broadcast MAC Address— A special Ethernet MAC address used to send data to all Ethernet devices on the local network. The broadcast address is FFh-FFh-FFh-FFh-FFh-FFh. The LSB of the first byte is odd, qualifying it as a group address; however, its value is reserved for broadcast. It is classified separately by the EMAC.

Descriptor (Packet Buffer Descriptor)— A small memory structure that describes a larger block of memory in terms of size, location, and state. Descriptors are used by the EMAC and application to describe the memory buffers that hold Ethernet data.

Device — In this document, device refers to the TMS320TC16486/TMS320C6472 digital signal processor.

Ethernet MAC Address (MAC Address)— A unique 6-byte address that identifies an Ethernet device on the network. In an Ethernet packet, a MAC address is used twice, first to identify the packet's destination, and second to identify the packet's sender or source. An Ethernet MAC address is normally specified in hexadecimal, using dashes to separate bytes. For example: 08h-00h-28h-32h-17h-42h.

The first three bytes normally designate the manufacturer of the device. However, when the first byte of the address is odd (LSB is 1), the address is a group address (broadcast or multicast). The second bit specifies whether the address is globally or locally administrated (not considered in this document).

Ethernet Packet (Packet)— An Ethernet packet is the collection of bytes that represents the data portion of a single Ethernet frame on the wire.

Full Duplex— Full duplex operation allows simultaneous communication between a pair of stations using point-to-point media (dedicated channel). Full duplex operation does not require that transmitters defer, nor do they monitor or react to receive activity, as there is no contention for a shared medium in this mode. Full duplex mode can only be used when all of the following are true:

- The physical medium is capable of supporting simultaneous transmission and reception without interference.
- There are exactly two stations connected with a full duplex point-to-point link. As there is no contention for use of a shared medium, the multiple access (i.e., CSMA/CD) algorithms are unnecessary.
- Both stations on the LAN are capable of, and have been configured to use, full duplex operation.

The most common configuration envisioned for full duplex operation consists of a central bridge (also known as a switch) with a dedicated LAN connecting each bridge port to a single device.

Full duplex operation constitutes a proper subset of the MAC functionality required for half duplex operation.

Half Duplex— In half duplex mode, the CSMA/CD media access method is the means by which two or more stations share a common transmission medium. To transmit, a station waits (defers) for a quiet period on the medium; that is, no other station is transmitting. It then sends the intended message in bit-serial form. If, after initiating a transmission, the message collides with that of another station, then each transmitting station intentionally transmits for an additional predefined period to ensure propagation of the collision throughout the system. The station remains silent for a random amount of time (back off) before attempting to transmit again.

Host— The host is an intelligent system resource that configures and manages each communications control module. The host is responsible for allocating memory, initializing all data structures, and responding to port (EMAC) interrupts. In this document, host refers to the TMS320TC16486/TMS320C6472 device.

Jabber— A condition wherein a station transmits for a period of time longer than the maximum permissible packet length, usually due to a fault condition.

Jumbo Packets— Jumbo frames are defined as those packets whose length exceeds the standard Ethernet MTU, which is 1500 kbytes. For the C64x+ devices, it is recommended not to use packets exceeding 35K in length. The PHY that you use can place additional limits on to the length of the packets that you can transfer in a system.

Link— The transmission path between any two instances of generic cabling.

Multicast MAC Address— A class of MAC address that sends a packet to potentially more than one recipient. A group address is specified by setting the LSB of the first MAC address byte. Thus, 01h-02h-03h-04h-05h-06h is a valid multicast address. Typically, an Ethernet MAC looks for only certain multicast addresses on a network to reduce traffic load. The multicast address list of acceptable packets is specified by the application.

Physical Layer and Media Notation— To identify different Ethernet technologies, a simple, three-field, type notation is used. The Physical Layer type used by the Ethernet is specified by these fields: <data rate in Mb/s><medium type><maximum segment length (x100m)>

The definitions for the technologies mentioned in this guide are as follows:

Term	Definition
10Base-T	IEEE 802.3 Physical Layer specification for a 10 Mb/s CSMA/CD local area network over two pairs of twisted-pair telephone wire.
100Base-T	IEEE 802.3 Physical Layer specification for a 100 Mb/s CSMA/CD local area network over two pairs of Category 5 unshielded twisted-pair (UTP) or shielded twisted-pair (STP) wire.
1000Base-T	IEEE 802.3 Physical Layer specification for a 1000 Mb/s CSMA/CD LAN using four pairs of Category 5 balanced copper cabling.
Twisted pair	A cable element that consists of two insulated conductors twisted together in a regular fashion to form a balanced transmission line.

Port— Ethernet device.

Promiscuous Mode— EMAC receives frames that do not match its address.

Appendix B Revision History

This revision history highlights the technical changes made to the document in this revision.

Table 87. EMAC/MDIO Revision History

See	Additions/Modifications/Deletions
Figure 52	Modified TXINTMASKCLEAR register figure
Table 46	Modified TXINTMASKCLEAR register table
Figure 57	Modified RXINTMASKSET register figure
Table 51	Modified RXINTMASKSET register table
Figure 58	Modified RXINTMASKCLEAR register figure
Table 52	Modified RXINTMASKCLEAR register table

IMPORTANT NOTICE

Texas Instruments Incorporated and its subsidiaries (TI) reserve the right to make corrections, modifications, enhancements, improvements, and other changes to its products and services at any time and to discontinue any product or service without notice. Customers should obtain the latest relevant information before placing orders and should verify that such information is current and complete. All products are sold subject to TI's terms and conditions of sale supplied at the time of order acknowledgment.

TI warrants performance of its hardware products to the specifications applicable at the time of sale in accordance with TI's standard warranty. Testing and other quality control techniques are used to the extent TI deems necessary to support this warranty. Except where mandated by government requirements, testing of all parameters of each product is not necessarily performed.

TI assumes no liability for applications assistance or customer product design. Customers are responsible for their products and applications using TI components. To minimize the risks associated with customer products and applications, customers should provide adequate design and operating safeguards.

TI does not warrant or represent that any license, either express or implied, is granted under any TI patent right, copyright, mask work right, or other TI intellectual property right relating to any combination, machine, or process in which TI products or services are used. Information published by TI regarding third-party products or services does not constitute a license from TI to use such products or services or a warranty or endorsement thereof. Use of such information may require a license from a third party under the patents or other intellectual property of the third party, or a license from TI under the patents or other intellectual property of TI.

Reproduction of TI information in TI data books or data sheets is permissible only if reproduction is without alteration and is accompanied by all associated warranties, conditions, limitations, and notices. Reproduction of this information with alteration is an unfair and deceptive business practice. TI is not responsible or liable for such altered documentation. Information of third parties may be subject to additional restrictions.

Resale of TI products or services with statements different from or beyond the parameters stated by TI for that product or service voids all express and any implied warranties for the associated TI product or service and is an unfair and deceptive business practice. TI is not responsible or liable for any such statements.

TI products are not authorized for use in safety-critical applications (such as life support) where a failure of the TI product would reasonably be expected to cause severe personal injury or death, unless officers of the parties have executed an agreement specifically governing such use. Buyers represent that they have all necessary expertise in the safety and regulatory ramifications of their applications, and acknowledge and agree that they are solely responsible for all legal, regulatory and safety-related requirements concerning their products and any use of TI products in such safety-critical applications, notwithstanding any applications-related information or support that may be provided by TI. Further, Buyers must fully indemnify TI and its representatives against any damages arising out of the use of TI products in such safety-critical applications.

TI products are neither designed nor intended for use in military/aerospace applications or environments unless the TI products are specifically designated by TI as military-grade or "enhanced plastic." Only products designated by TI as military-grade meet military specifications. Buyers acknowledge and agree that any such use of TI products which TI has not designated as military-grade is solely at the Buyer's risk, and that they are solely responsible for compliance with all legal and regulatory requirements in connection with such use.

TI products are neither designed nor intended for use in automotive applications or environments unless the specific TI products are designated by TI as compliant with ISO/TS 16949 requirements. Buyers acknowledge and agree that, if they use any non-designated products in automotive applications, TI will not be responsible for any failure to meet such requirements.

Following are URLs where you can obtain information on other Texas Instruments products and application solutions:

Products		Applications	
Amplifiers	amplifier.ti.com	Audio	www.ti.com/audio
Data Converters	dataconverter.ti.com	Automotive	www.ti.com/automotive
DLP® Products	www.dlp.com	Communications and Telecom	www.ti.com/communications
DSP	dsp.ti.com	Computers and Peripherals	www.ti.com/computers
Clocks and Timers	www.ti.com/clocks	Consumer Electronics	www.ti.com/consumer-apps
Interface	interface.ti.com	Energy	www.ti.com/energy
Logic	logic.ti.com	Industrial	www.ti.com/industrial
Power Mgmt	power.ti.com	Medical	www.ti.com/medical
Microcontrollers	microcontroller.ti.com	Security	www.ti.com/security
RFID	www.ti-rfid.com	Space, Avionics & Defense	www.ti.com/space-avionics-defense
RF/IF and ZigBee® Solutions	www.ti.com/lprf	Video and Imaging	www.ti.com/video
		Wireless	www.ti.com/wireless-apps

Mailing Address: Texas Instruments, Post Office Box 655303, Dallas, Texas 75265
Copyright © 2010, Texas Instruments Incorporated