

Experience Seamless Shopping Thanks to Electronic Shelf Labels



Giovanni Campanella

Oct 10, 2018

It takes a couple of weeks to completely re-price everything in a store by hand with new paper tags. Not only is this time-consuming, but it is costly and hard on the environment due to the enormous amount of required paper. Electronic shelf labels (ESLs) can eliminate the manpower needed to re-price items, reduce the use of paper, and conserve printing costs, in favor of better store profitability and a better customer experience.

ESLs connect shoppers at the shelf, offering more effective advertisements based on customer preferences and needs, helping with product selection by indicating the exact location of a specific product (like a printer cartridge), and facilitating the payment process by enabling customers to scan price tags and pay with a smartphone.

The system, as shown in [Figure 1](#), essentially consists of a wireless dialogue among:

- ESLs displaying the price and universal product code (UPC) through an LCD/e-ink display on store shelves.
- Access points that create a network bridge between the central host and ESLs.
- A central host that transmits price updates through access points to the ESLs and the point of sale (POS).
- A POS where customers complete the payment process.

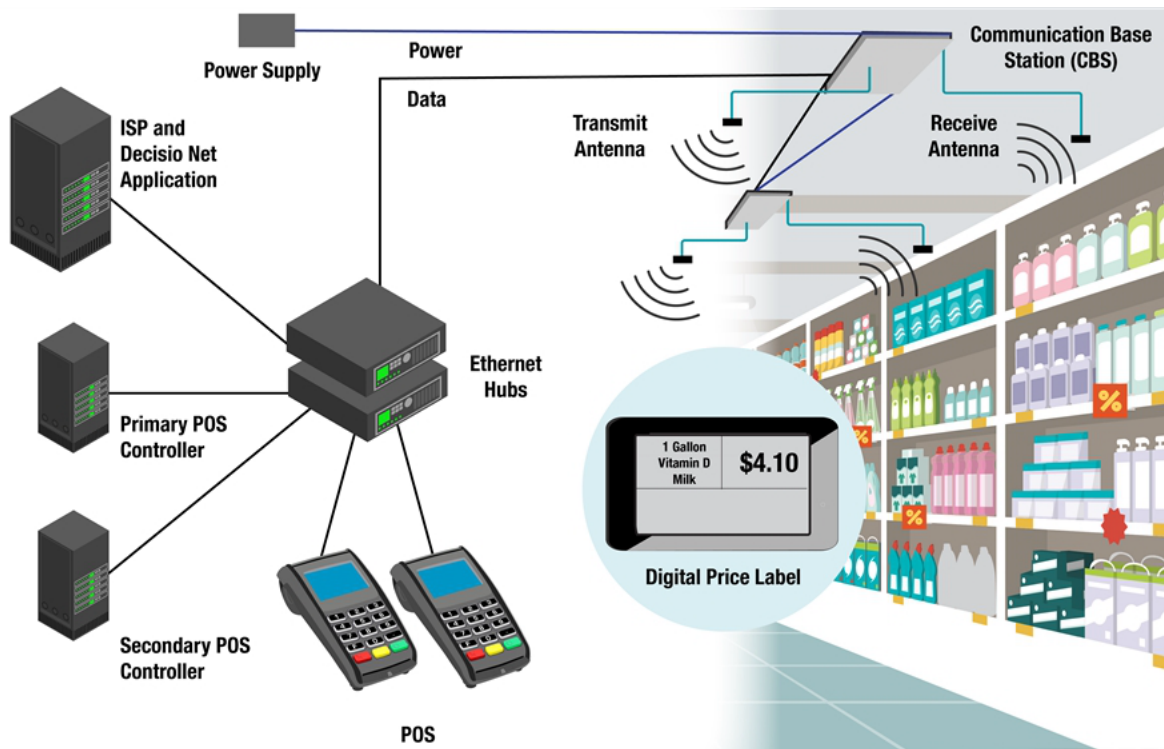


Figure 1. Store Architecture

Looking at the architecture of an ESL as shown in [Figure 2](#), the subsystem core is a wireless interface that connects to a central host through access points, eliminating any discrepancies between shelves and cash register prices. [SimpleLink™ Arm®-based ultra-low-power wireless microcontrollers \(MCUs\)](#) enable multiyear operations over a coin-cell battery and provide flexibility in the choice of wireless technology, usually 2.4GHz and Sub-1 GHz proprietary wireless protocols.

For example, the [Humidity and Temp Sensor Node for Sub-1 GHz Star Networks Enabling 10+ Year Coin Cell Battery Life](#) reference design uses the [CC1310](#) MCU and [TPL5111](#) nanopower system timer to control power to all remaining circuitry while consuming only tens of nanoamperes when operating. The [CC2640R2F](#) is an alternative option using the same software development kit (SDK) if a 2.4 GHz proprietary protocol is required by the system.

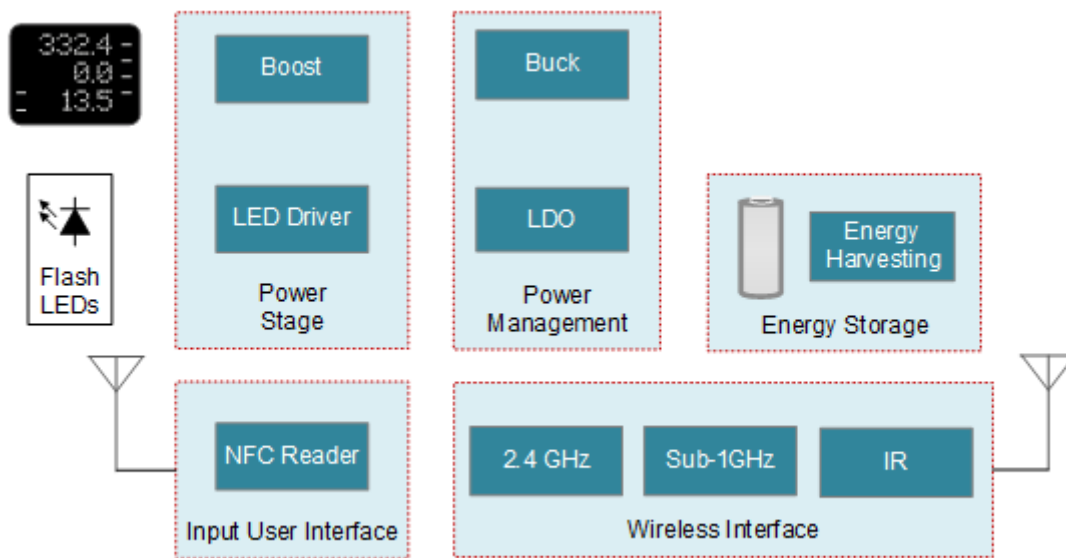


Figure 2. ESL Reference Diagram

While the upfront cost may be great, energy harvesting solutions can increase ESL battery life and will be more cost-effective over time. TI designed the [BQ25505](#) ultra-low-power harvester power-management integrated circuit (IC) to efficiently extract the microwatts to milliwatts of power generated from a variety of DC energy harvesting and high-impedance sources. For example, the [Indoor Light Energy Harvesting Reference Design for Bluetooth® Low Energy Beacon Subsystem](#) uses just the power of typical indoor lighting in a retail environment (>250 lumens/m²) to transmit data wirelessly.

ESLs equipped with sensors (like humidity, temperature or weight sensors) and cameras can monitor the condition of fresh goods, streamline restocking activities, or track users and objects. Ultra-low-power, small and very accurate sensors are needed for this purpose. The accuracy is needed to understand which products have been picked from the shelf – especially when stores have thousands of products to choose from.

High-performance protection diodes protect the communication interfaces – because ESLs are susceptible to electrostatic discharge damage from people touching them. A low-power wireless MCU, efficient power management and a robust protection circuit are just a few of design elements required to build smart, green and agile ESLs, which will increase retailer profitability, improve the customer experience and make a greener world.

Additional Resources

- Learn more about [ESL ICs and reference designs](#).
- Check out the [Low-Power Wi-Fi® Enabled Electronic Paper Display \(EPD\)](#) reference design.
- Build differentiated [EPOS designs](#).

IMPORTANT NOTICE AND DISCLAIMER

TI PROVIDES TECHNICAL AND RELIABILITY DATA (INCLUDING DATA SHEETS), DESIGN RESOURCES (INCLUDING REFERENCE DESIGNS), APPLICATION OR OTHER DESIGN ADVICE, WEB TOOLS, SAFETY INFORMATION, AND OTHER RESOURCES "AS IS" AND WITH ALL FAULTS, AND DISCLAIMS ALL WARRANTIES, EXPRESS AND IMPLIED, INCLUDING WITHOUT LIMITATION ANY IMPLIED WARRANTIES OF MERCHANTABILITY, FITNESS FOR A PARTICULAR PURPOSE OR NON-INFRINGEMENT OF THIRD PARTY INTELLECTUAL PROPERTY RIGHTS.

These resources are intended for skilled developers designing with TI products. You are solely responsible for (1) selecting the appropriate TI products for your application, (2) designing, validating and testing your application, and (3) ensuring your application meets applicable standards, and any other safety, security, regulatory or other requirements.

These resources are subject to change without notice. TI grants you permission to use these resources only for development of an application that uses the TI products described in the resource. Other reproduction and display of these resources is prohibited. No license is granted to any other TI intellectual property right or to any third party intellectual property right. TI disclaims responsibility for, and you will fully indemnify TI and its representatives against, any claims, damages, costs, losses, and liabilities arising out of your use of these resources.

TI's products are provided subject to [TI's Terms of Sale](#) or other applicable terms available either on [ti.com](https://www.ti.com) or provided in conjunction with such TI products. TI's provision of these resources does not expand or otherwise alter TI's applicable warranties or warranty disclaimers for TI products.

TI objects to and rejects any additional or different terms you may have proposed.

Mailing Address: Texas Instruments, Post Office Box 655303, Dallas, Texas 75265
Copyright © 2023, Texas Instruments Incorporated