

Configuring the CC2640 for Bluetooth® Direct Test Mode

Eddie Koh

ABSTRACT

This application note describes the hardware setup and software configuration for performing Direct Test Mode (DTM) using Bluetooth® (BT) test equipment with TI's SimpleLink™ Bluetooth low energy wireless MCUs. DTM is used to perform Bluetooth RF certification testing and is described in the Bluetooth Core Specification Version 4.2, Vol 6, Part F. The Bluetooth core specification can be obtained from <http://www.bluetooth.com>.

A setup guide is provided for the CC2640/CC2650 Bluetooth low energy wireless MCUs using the CC2650 SmartRF06 Development Kit (CC2650DK) and CC2650 Bluetooth low energy LaunchPad™ (CC2650LP). The procedures described in this document also apply to the CC1350 dual-band wireless MCU when running BLE software. Additional notes on configuring custom boards for performing DTM are added at the end of this document.

More information about TI's BLE products can be found at www.ti.com/ble.

Contents

1	Creating Hexadecimal Files for Direct Test Mode (DTM)	2
2	Programming the DUT	3
3	Hardware Setup	4
4	Configuring the BT/BLE Tester	9
5	Additional Notes for Configuring Custom Boards for DTM	9

List of Figures

1	Settings for Programming the CC2650DK and CC2650LP	3
2	Mount C24 and J1 to RF Connector	5
3	Positions for Switch P501 and P502	5
4	Hardware Setup for the CC2650DK in RS232 Mode	6
5	Hardware Setup for the CC2650DK in USB Mode	7
6	Hardware Setup for the CC2650LP in RS232 Mode	8

Trademarks

SimpleLink, LaunchPad are trademarks of Texas Instruments.
 Bluetooth is a registered trademark of Bluetooth SIG.
 All other trademarks are the property of their respective owners.

1 Creating Hexadecimal Files for Direct Test Mode (DTM)

To configure the CC2650DK or CC2650LP for DTM, program it with a dedicated hexadecimal file. The hex files can be compiled from Host Test example projects, which are released as part of BLE-Stack v2.2 software development kit (SDK). The steps to compile the Host Test example and the required changes to predefined symbols are listed below.

1. Download and install BLE-Stack v2.2.x SDK from <http://www.ti.com/tool/ble-stack>. Older SDK releases can be obtained from the Archived Releases link.
2. Install the tool chain according to the procedure referenced in the release notes.
3. The Host Test project for the CC2650DK and CC2650LP are at the respective folders:
 - For the CC2650DK: examples/cc2650em/host_test directory of the BLE SDK install
 - For the CC2650LP: examples/cc2650lp/host_test directory of the BLE SDK install
4. The procedure of compiling the example project is described in *TI BLE Software Developer's Guide (SDG)* ([SWRU393](#)). The guide is included in the BLE-Stack v2.2 SDK. Depending on the required testing, some Bluetooth v4.1 and v4.2 LE features may need to be enabled in the Host Test project. See the *Configuring Bluetooth low energy Protocol Stack Features* section in the SDG.
5. The following changes to predefined symbols are required. Configuration for APP and STACK projects are listed below. The procedure for modifying predefined symbols is in the SDG.
 - (a) For the CC2650EM-7ID, CC2650EM-5XD, CC2650EM-4XS, and CC2650LP, these common changes are required:

APP Project	STACK Project
Remove: POWER_SAVING	Remove: POWER_SAVING
Remove: NPI_USE_SPI	
Add: NPI_USE_UART	


- (b) For the CC2650EM-5XD, these additional changes are required in the APP project:
 - Remove: CC2650DK_7ID
 - Add: CC2650DK_5XD
 - (c) For the CC2650EM-4XS: these additional changes are required in the APP project:
 - Remove: CC2650DK_7ID
 - Add: CC2650DK_4XS
 - Add: NPI_SPI_CONFIG=Board_SPI0
6. Upon successful compilation, the following hex files are generated:
 - For the CC2650DK:
 - host_test_cc2650em_app.hex
 - host_test_cc2650em_stack.hex
 - For the CC2650LP:
 - host_test_cc2650lp_app.hex
 - host_test_cc2650lp_stack.hex

2 Programming the DUT

The hex files compiled in the previous section must be programmed onto the DUT. The hex file puts the CC2650 into DTM (Direct Test Mode). No additional GPIO toggling or selection is required to put the CC2650 into DTM.

To program the hex files, use SmartRF Flash Programmer v2. It can be downloaded from <http://www.ti.com/tool/flash-programmer>. Refer to the BLE-Stack release notes for the required SmartRF Flash Programmer v2 version.

The settings for the CC2650DK and CC2650LP are the same, as shown below:

1. In the Connected devices panel, select the DUT.
 - For the CC2650DK, select “CC2650” under the “XDS100v3”
 - For the CC2650LP, select “CC2650” under the “XDS110”
2. Main Tab -> Flash image(s). Select “Multiple”.
3. Use “Browse” to select the APP project hex file.
 - For the CC2650DK: host_test_cc2650em_app.hex
 - For the CC2650LP: host_test_cc2650lp_app.hex
4. Use Browse again to select the STACK project hex file.
 - For the CC2650DK: host_test_cc2650em_stack.hex
 - For the CC2650LP: host_test_cc2650lp_stack.hex
5. Main Tab -> Actions (see [Figure 1](#))
 - (a) Erase. Select Pages in image
 - (b) Program. Select “Entire source file”
 - (c) Verify. Select “Readback”
6. Image Overrides. Check “Keep CCFG”
7. Click on the  icon below the Verify box to start programming.

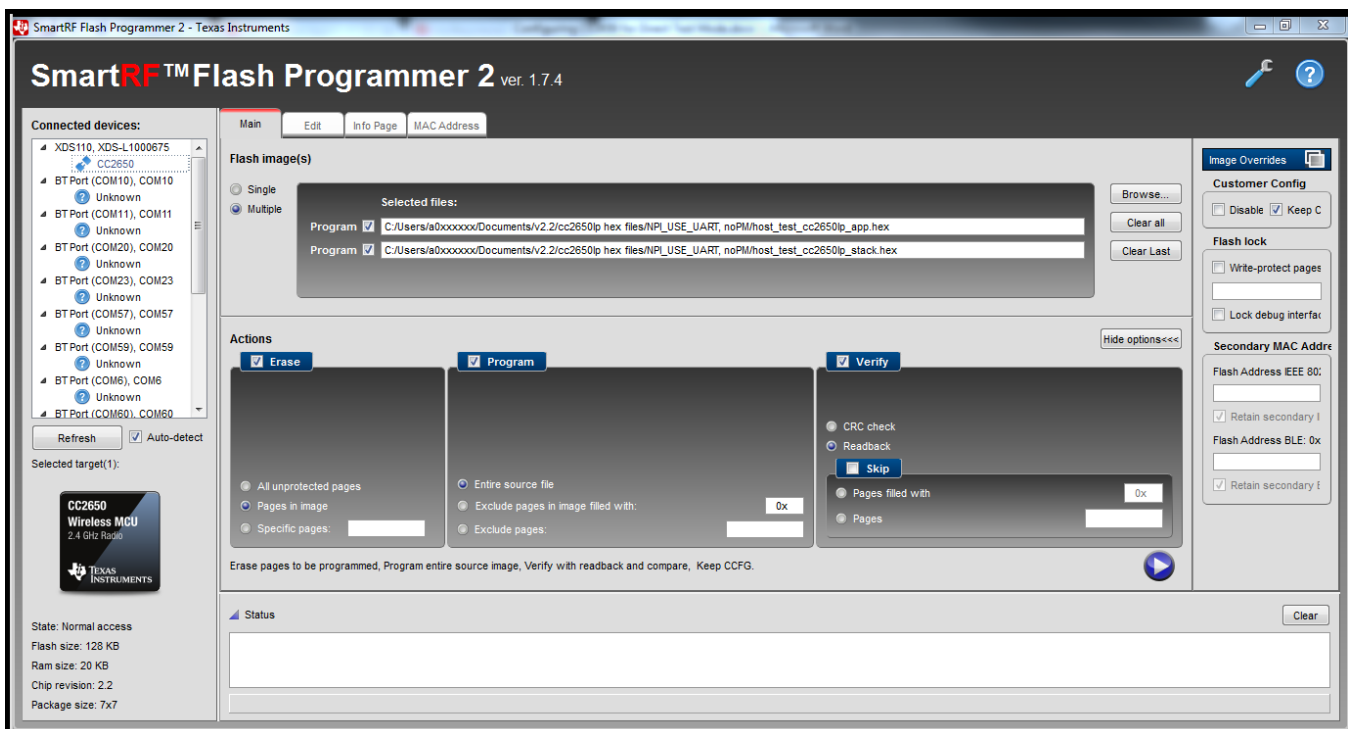


Figure 1. Settings for Programming the CC2650DK and CC2650LP

3 Hardware Setup

Most BT/BLE testers support USB and RS232 modes to control the device under test (DUT). This section describes the steps of using both RS232 and USB modes for the CC2650DK; and RS232 modes for the CC2650LP. Below is the list of items required to conduct direct test mode (DTM):

- BT/BLE RF tester
- Micro USB cable
- RF coaxial cable with the following connectors
 - CC2650DK: SMA-to-SMA
 - CC2650LP: SWG-to-SMA
- CC2650DK (SmartRF06EB+CC2650EM) or CC2650LP
- For RS232 mode only: RS232 level translator board

3.1 Hardware Setup for the CC2650DK (SmartRF06EB+CC2650EM) in RS232 Mode

This setup uses UART pins (RF1.7_UART_RX and RF1.9_UART_TX) to interface the BT/BLE tester's control port in RS232 mode. The control port could be a USB port or equipment under test (EUT) control port, depending on the equipment used. Refer to the tester user guide for details on which port to use. The USB port on the CC2650DK is used to supply 3.3 V to the CC2650.

1. Mount the CC2650EM onto SmartRF06EB.
2. Remove all 10 jumpers on P408 to avoid interference from XDS100v3.
3. Connect a micro USB cable between the CC2650DK and any USB power source or PC.
4. Connect the RS232 level translator board to the RS232 connector from the BT/BLE tester's USB/EUT control port.
5. Connection between the CC2650DK and RS232 level translator board:

CC2650DK	RS232 Level Translator Board
P408.12 (RF1.7_UART_RX)	TX pin (OUT)
P408.14 (RF1.9_UART_TX)	RX pin (IN)
P409.1 (VDD_SENSE)	VDD pin
P409.4 (GND)	GND pin

6. Unmount C14. Mount C24 and J1 to select RF connector (J1) as the RF output path, as shown in [Figure 2](#).
7. Connect a SMA-to-SMA RF coaxial cable between J1 and RF port of tester.

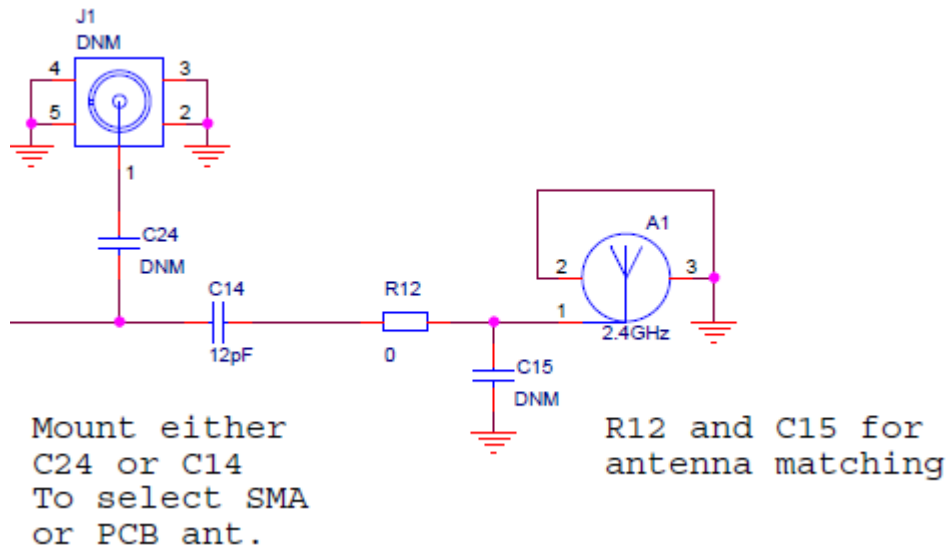


Figure 2. Mount C24 and J1 to RF Connector

8. Switch P502 (source selection switch) to the USB position.
9. Switch P501 (main power switch) to the ON position, as shown in [Figure 3](#).

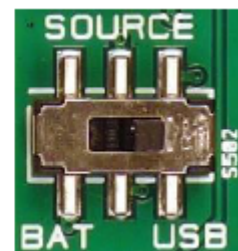
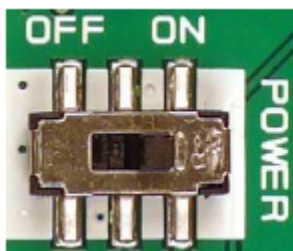


Figure 3. Positions for Switch P501 and P502

10. The full setup should look similar to the one shown in [Figure 4](#). The use of an SMA connector on the CC2650DK's J1 is preferred. In [Figure 4](#), the coaxial cable is soldered directly onto PCB.

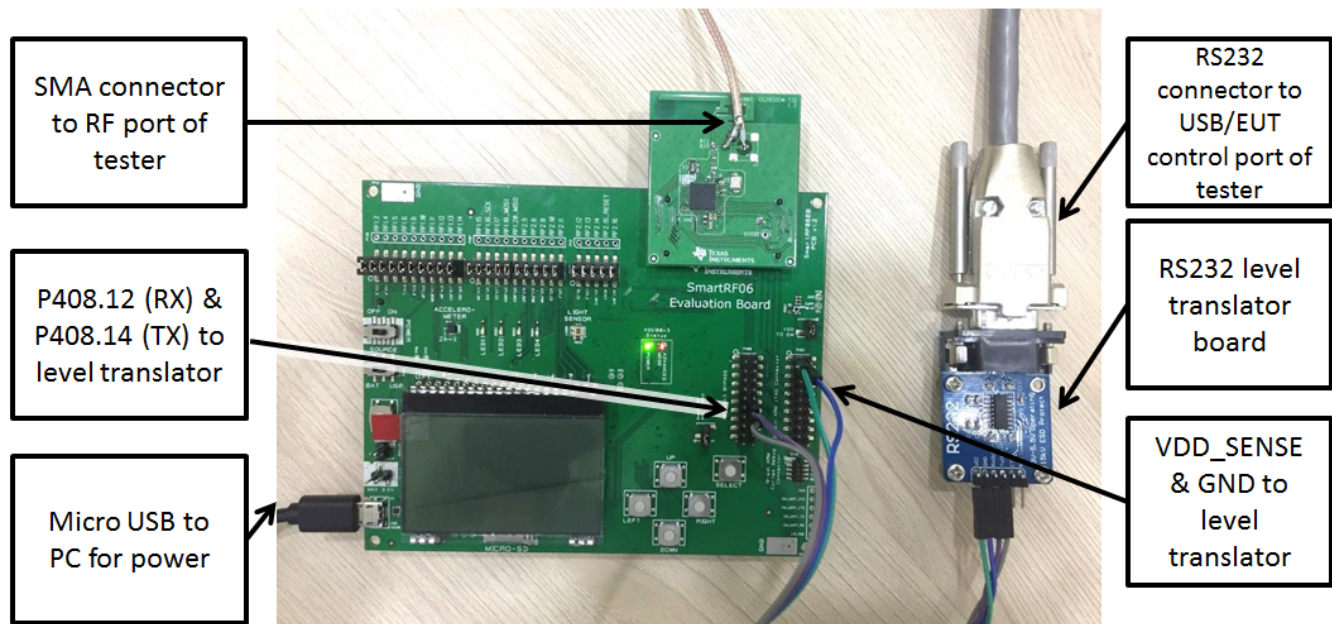


Figure 4. Hardware Setup for the CC2650DK in RS232 Mode

3.2 Hardware Setup for the CC2650DK (SmartRF06EB+CC2650EM) in USB Mode

This setup uses the USB port on the CC2650DK directly with the USB/EUT control port of the tester in USB mode. The USB port on the CC2650DK is also used to supply 3.3 V to the CC2650.

1. Mount the CC2650EM onto the SmartRF06EB.
2. Keep all 10 jumpers on P408 mounted.
3. Connect a micro USB cable between the CC2650DK and the USB/EUT control port of the tester.
4. Unmount C14. Mount C24 and J1 to select the RF connector (J1) as the RF output path. See [Figure 2](#).
5. Connect an SMA-to-SMA RF coaxial cable between the J1 and RF port of the tester.
6. Switch P502 (source selection switch) to the USB position.
7. Switch P501 (main power switch) to the ON position. See [Figure 3](#).
8. The full setup should look similar to the one in [Figure 5](#). Using an SMA connector on the CC2650DK J1 is preferred. In [Figure 5](#), the coaxial cable is soldered directly onto PCB).

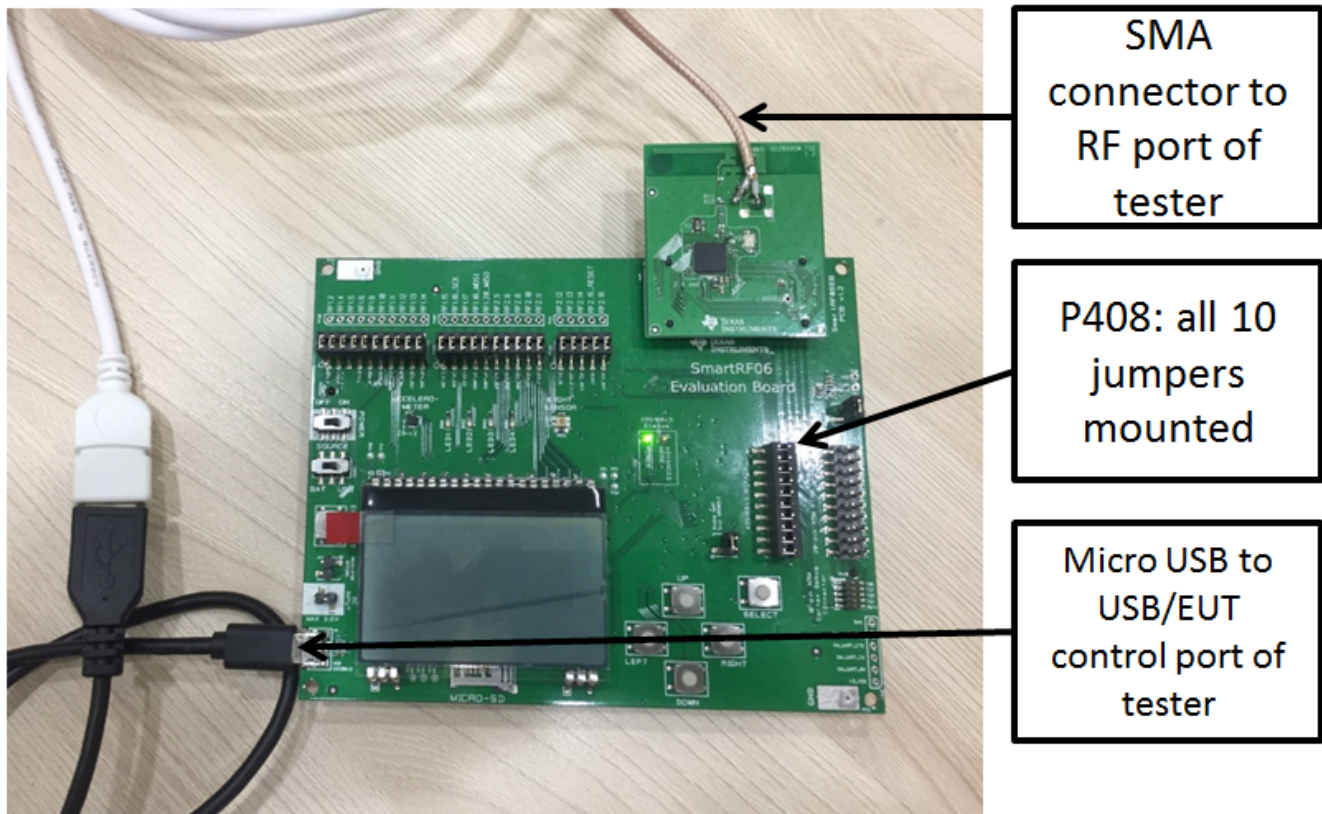


Figure 5. Hardware Setup for the CC2650DK in USB Mode

3.3 Hardware Setup for the CC2650LP in RS232 Mode

This setup uses the UART pins (DIO2 and DIO3) to interface with the USB/EUT control port of the tester in RS232 mode. The USB port on the CC2650LP is used to supply 3.3 V to the CC2650.

1. On P3, P4, and P5, keep jumpers M2 (3V3) and M6 (GND) only.
2. Remove all other jumpers on P3, P4, and P5. (9 jumpers to remove).
3. Connect a USB micro cable between the CC2650LP and any USB power source or PC.
4. Connect a RS232 level translator board to the RS232 connector from the BT/BLE tester's USB/EUT control port.
5. Connection between the CC2650LP and a RS232 level translator board:

CC2650LP	RS232 Level Translator Board
J1.7 (DIO2_RXD)	TX pin (OUT)
J1.5 (DIO3_TXD)	RX pin (IN)
P1.1 (3V3)	VDD pin
P1.2 (GND)	GND pin

6. Connect a SWG-to-SMA RF coaxial cable between J5 and RF port of the tester, as shown in Figure 6.

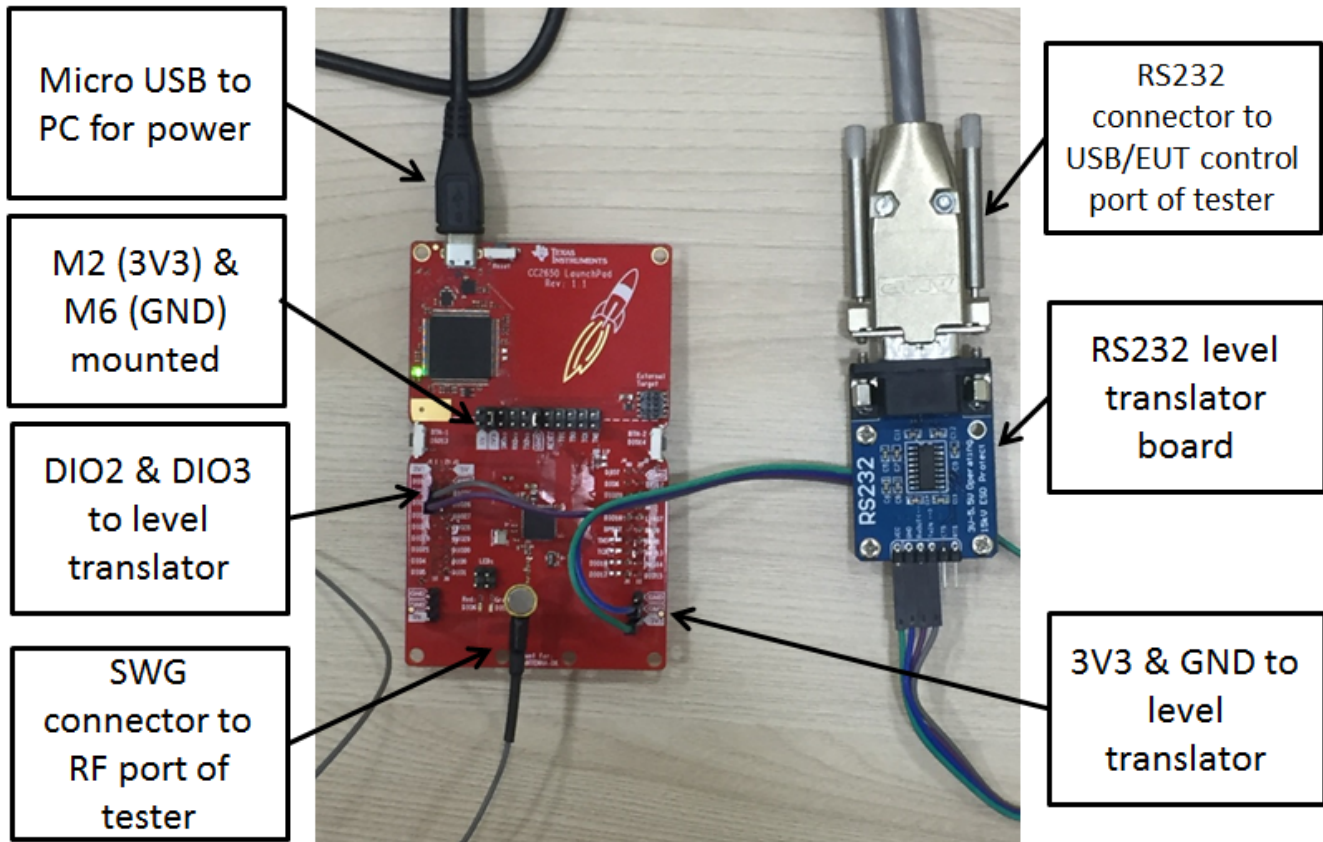


Figure 6. Hardware Setup for the CC2650LP in RS232 Mode

4 Configuring the BT/BLE Tester

To configure the BT/BLE tester for RS232 mode, set the tester to RS232 mode, and use an RS232 connector cable from the USB/EUT control port. Use the following configuration for RS232 parameters:

- Baud rate: 115200
- Parity: None
- Data length: 8 bits
- Stop bits: 1 bit
- Handshaking: None

To configure the BT/BLE tester for USB mode, set the tester to USB->RS232 mode, and use a USB host connector cable from the USB/EUT control port. If the tester provides the option of using either Port A or Port B, select Port B.

5 Additional Notes for Configuring Custom Boards for DTM

TI recommends using RS232 mode when connecting custom boards to BT/BLE testers, as this minimizes complexities in hardware setup. A level translator board is required between the custom board and the RS232 connector from the BT/BLE tester.

On the custom board, ensure the following are in place prior to executing the RF tests:

1. Ensure the VDDS and VDDR rails are properly supplied. Most RS232 level translator boards do not provide VDD supply, and draw power from VDDS instead.
2. Connect UART_RXD, UART_TXD, VDDS, and GND between the custom board and RS232 level translator board.

Custom board	RS232 level translator board
UART_RXD	TX pin (OUT)
UART_TXD	RX pin (IN)
VDDS	VDD pin
GND	GND pin

3. The Host Test project can be used to compile codes for the custom board. Note the differences in the default UART_RXD and UART_TXD pins for the various packages.

Signal	CC2650F128RGZ 7 x 7 mm, 48 VQFN	CC2650F128RHB 5 x 5 mm, 32 VQFN	CC2650F128RSM 4 x 4 mm, 32 VQFN
UART_RXD	DIO_2	DIO_1	DIO_1
UART_TXD	DIO_3	DIO_0	DIO_2

4. If the custom board is unable to use the default DIO lines, UART_RXD and UART_TXD can be remapped to the available DIO lines by changing the defines for Board_UART_RX and Board_UART_TX in the respective header files.

Device	Header file
CC2650F128RGZ	CC2650DK_7ID.h
CC2650F128RHB	CC2650DK_5XD.h
CC2650F128RSM	CC2650DK_4XS.h

IMPORTANT NOTICE

Texas Instruments Incorporated and its subsidiaries (TI) reserve the right to make corrections, enhancements, improvements and other changes to its semiconductor products and services per JESD46, latest issue, and to discontinue any product or service per JESD48, latest issue. Buyers should obtain the latest relevant information before placing orders and should verify that such information is current and complete. All semiconductor products (also referred to herein as "components") are sold subject to TI's terms and conditions of sale supplied at the time of order acknowledgment.

TI warrants performance of its components to the specifications applicable at the time of sale, in accordance with the warranty in TI's terms and conditions of sale of semiconductor products. Testing and other quality control techniques are used to the extent TI deems necessary to support this warranty. Except where mandated by applicable law, testing of all parameters of each component is not necessarily performed.

TI assumes no liability for applications assistance or the design of Buyers' products. Buyers are responsible for their products and applications using TI components. To minimize the risks associated with Buyers' products and applications, Buyers should provide adequate design and operating safeguards.

TI does not warrant or represent that any license, either express or implied, is granted under any patent right, copyright, mask work right, or other intellectual property right relating to any combination, machine, or process in which TI components or services are used. Information published by TI regarding third-party products or services does not constitute a license to use such products or services or a warranty or endorsement thereof. Use of such information may require a license from a third party under the patents or other intellectual property of the third party, or a license from TI under the patents or other intellectual property of TI.

Reproduction of significant portions of TI information in TI data books or data sheets is permissible only if reproduction is without alteration and is accompanied by all associated warranties, conditions, limitations, and notices. TI is not responsible or liable for such altered documentation. Information of third parties may be subject to additional restrictions.

Resale of TI components or services with statements different from or beyond the parameters stated by TI for that component or service voids all express and any implied warranties for the associated TI component or service and is an unfair and deceptive business practice. TI is not responsible or liable for any such statements.

Buyer acknowledges and agrees that it is solely responsible for compliance with all legal, regulatory and safety-related requirements concerning its products, and any use of TI components in its applications, notwithstanding any applications-related information or support that may be provided by TI. Buyer represents and agrees that it has all the necessary expertise to create and implement safeguards which anticipate dangerous consequences of failures, monitor failures and their consequences, lessen the likelihood of failures that might cause harm and take appropriate remedial actions. Buyer will fully indemnify TI and its representatives against any damages arising out of the use of any TI components in safety-critical applications.

In some cases, TI components may be promoted specifically to facilitate safety-related applications. With such components, TI's goal is to help enable customers to design and create their own end-product solutions that meet applicable functional safety standards and requirements. Nonetheless, such components are subject to these terms.

No TI components are authorized for use in FDA Class III (or similar life-critical medical equipment) unless authorized officers of the parties have executed a special agreement specifically governing such use.

Only those TI components which TI has specifically designated as military grade or "enhanced plastic" are designed and intended for use in military/aerospace applications or environments. Buyer acknowledges and agrees that any military or aerospace use of TI components which have **not** been so designated is solely at the Buyer's risk, and that Buyer is solely responsible for compliance with all legal and regulatory requirements in connection with such use.

TI has specifically designated certain components as meeting ISO/TS16949 requirements, mainly for automotive use. In any case of use of non-designated products, TI will not be responsible for any failure to meet ISO/TS16949.

Products

Audio	www.ti.com/audio
Amplifiers	amplifier.ti.com
Data Converters	dataconverter.ti.com
DLP® Products	www.dlp.com
DSP	dsp.ti.com
Clocks and Timers	www.ti.com/clocks
Interface	interface.ti.com
Logic	logic.ti.com
Power Mgmt	power.ti.com
Microcontrollers	microcontroller.ti.com
RFID	www.ti-rfid.com
OMAP Applications Processors	www.ti.com/omap
Wireless Connectivity	www.ti.com/wirelessconnectivity

Applications

Automotive and Transportation	www.ti.com/automotive
Communications and Telecom	www.ti.com/communications
Computers and Peripherals	www.ti.com/computers
Consumer Electronics	www.ti.com/consumer-apps
Energy and Lighting	www.ti.com/energy
Industrial	www.ti.com/industrial
Medical	www.ti.com/medical
Security	www.ti.com/security
Space, Avionics and Defense	www.ti.com/space-avionics-defense
Video and Imaging	www.ti.com/video

TI E2E Community

e2e.ti.com