

PCB Number: TIDA-010072  
PCB Rev: E2

PCB LOGO  
Texas Instruments



PCB LOGO  
FCC disclaimer

PCB LOGO  
WEEE logo


Variant/Label Table	
Variant	Label Text
001	X

ZZ1  
Label Assembly Note  
This Assembly Note is for PCB labels only

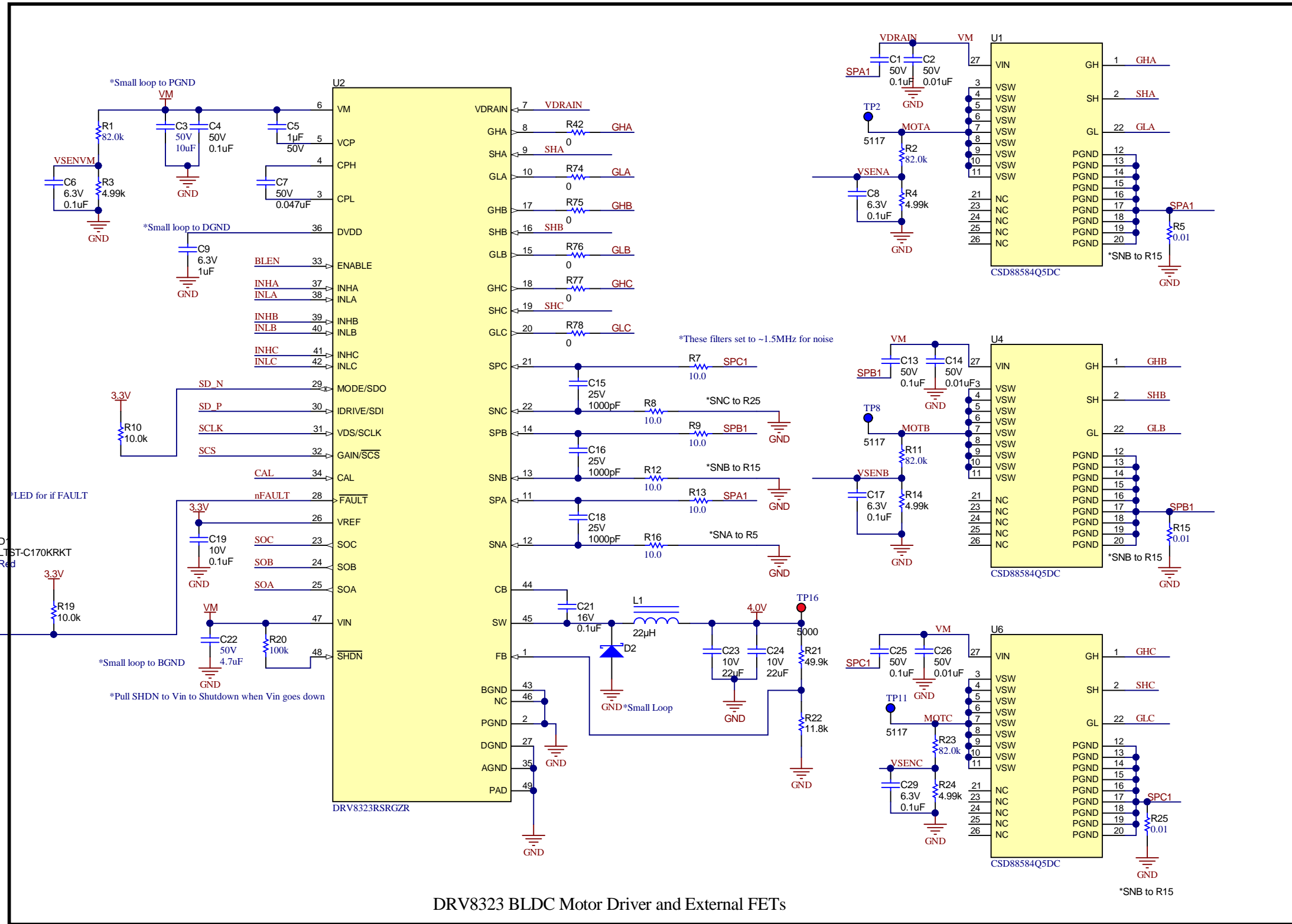
ZZ2  
Assembly Note  
These assemblies are ESD sensitive, ESD precautions shall be observed.

ZZ3  
Assembly Note  
These assemblies must be clean and free from flux and all contaminants. Use of no clean flux is not acceptable.

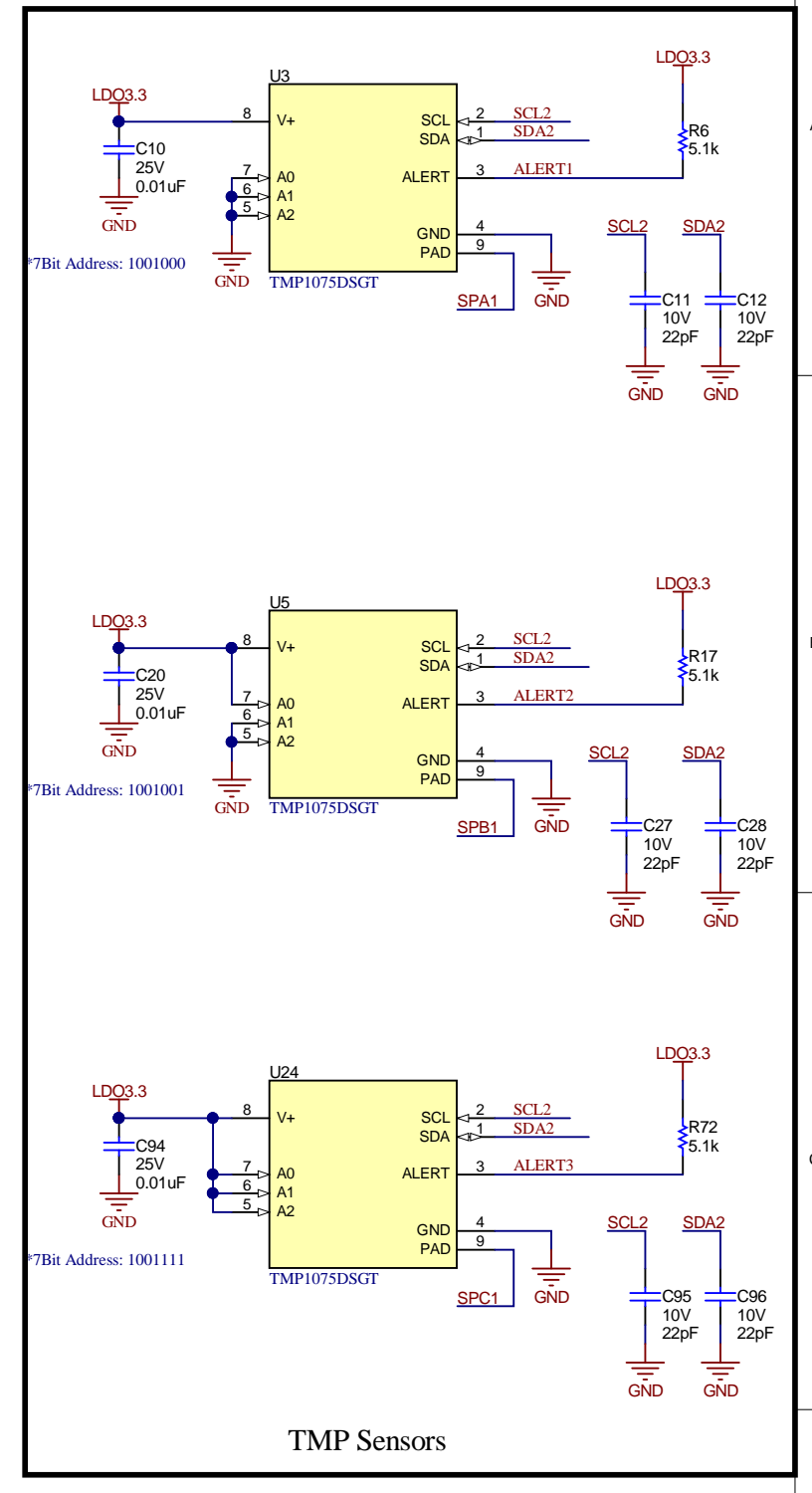
ZZ4  
Assembly Note  
These assemblies must comply with workmanship standards IPC-A-610 Class 2, unless otherwise specified.

Orderable: <a href="#">ChangeMe in variant</a>	Designed for: <a href="#">Public Release</a>	Mod. Date: 8/17/2020	 <a href="http://www.ti.com">http://www.ti.com</a> © Texas Instruments 2020
TID #: N/A	Project Title: <a href="#">Change in menu Project Project Options Parameters</a>		
Number: <a href="#">TIDA-010072</a>	Rev: <a href="#">E2</a>	Sheet Title:	
SVN Rev: Not in version control	Assembly Variant: 001	Sheet: 2 of 6	
Drawn By:	File: <a href="#">Hardware.SchDoc</a>	Size: B	
Engineer: <a href="#">Kelvin Le</a>	Contact: <a href="http://www.ti.com/support">http://www.ti.com/support</a>		

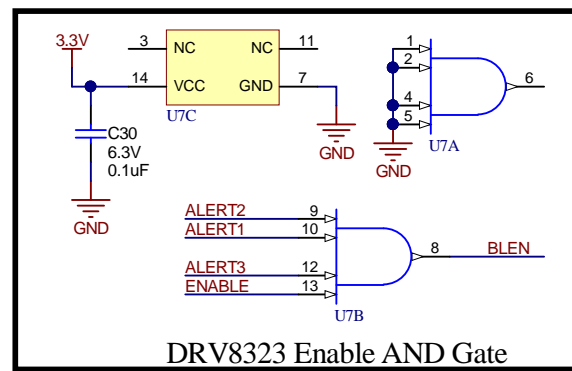
Texas Instruments and/or its licensors do not warrant the accuracy or completeness of this specification or any information contained therein. Texas Instruments and/or its licensors do not warrant that this design will meet the specifications, will be suitable for your application or fit for any particular purpose, or will operate in an implementation. Texas Instruments and/or its licensors do not warrant that the design is production worthy. You should completely validate and test your design implementation to confirm the system functionality for your application.



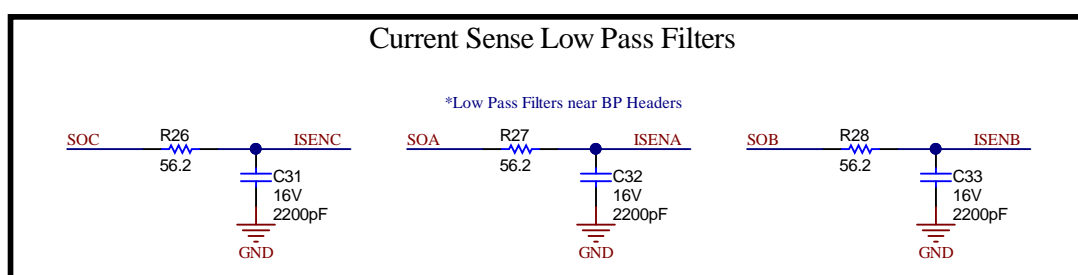
DRV8323 BLDC Motor Driver and External FETs



TMP Sensors



DRV8323 Enable AND Gate

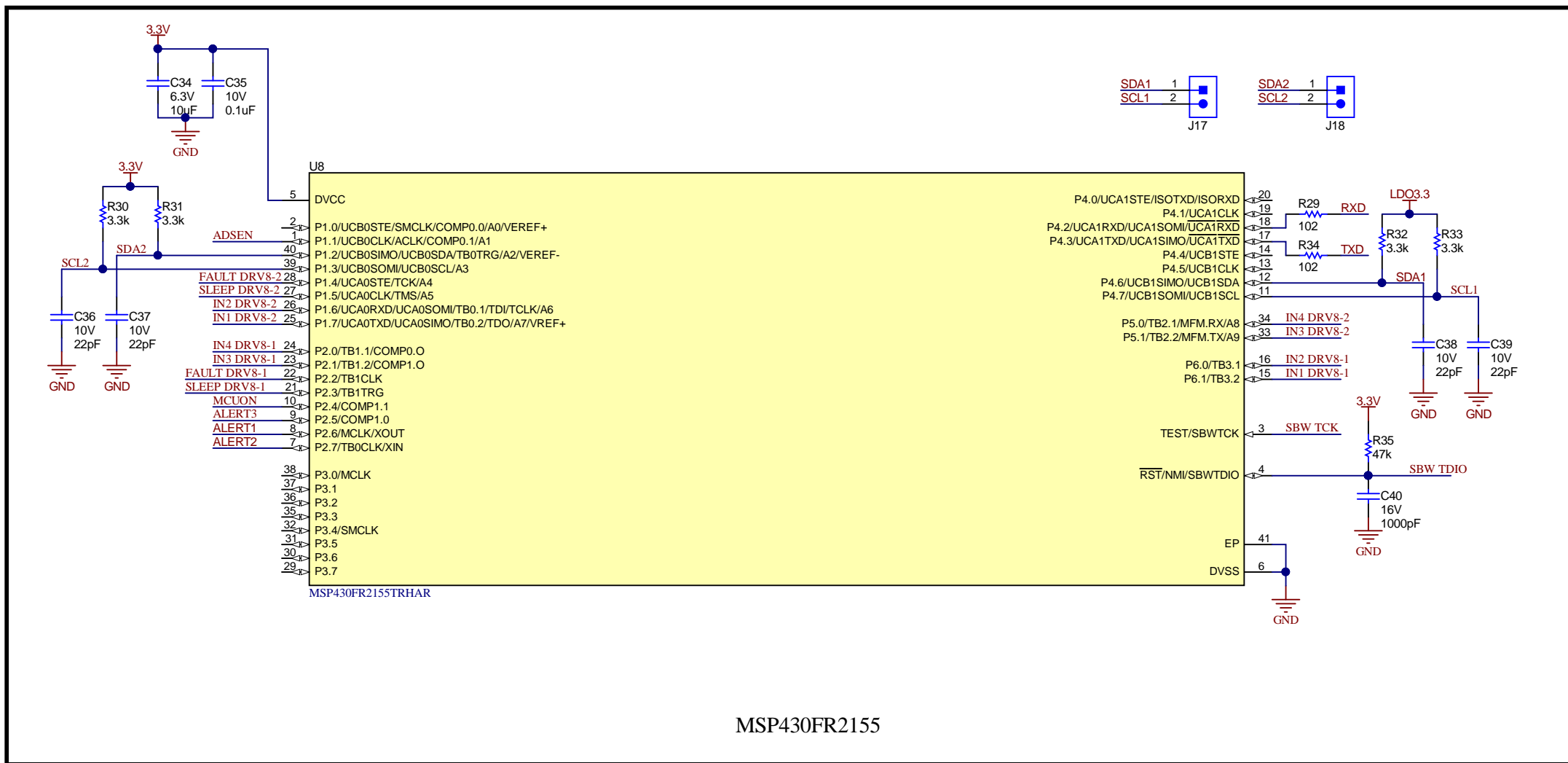


Current Sense Low Pass Filters

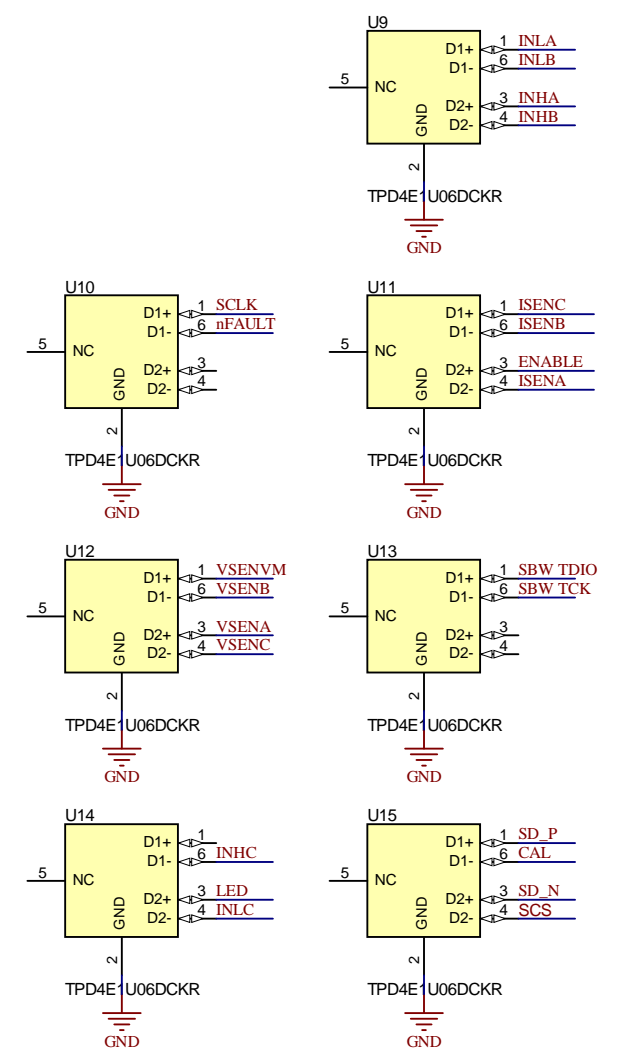
Texas Instruments and/or its licensors do not warrant the accuracy or completeness of this specification or any information contained therein. Texas Instruments and/or its licensors do not warrant that this design will meet the specifications, will be suitable for your application or fit for any particular purpose, or will operate in an implementation. Texas Instruments and/or its licensors do not warrant that the design is production worthy. You should completely validate and test your design implementation to confirm the system functionality for your application.

Orderable: ChangeMe in variant	Designed for: Public Release	Mod. Date: 3/30/2020
TID #: N/A	Project Title: Change in menu Project Options Parameters	
Number: TIDA-010072	Rev: E2	Sheet Title:
SVN Rev: Not in version control	Assembly Variant: 001	Sheet: 2 of 3
Drawn By:	File: BLDC Motor Driver and TMP Sensors.SchDoc	Size: B
Engineer: Kelvin Le	Contact: <a href="http://www.ti.com/support">http://www.ti.com/support</a>	

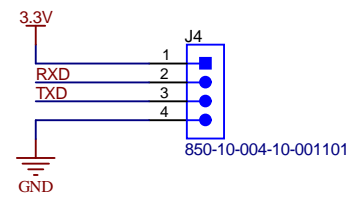
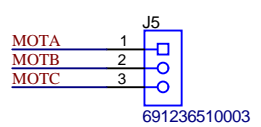
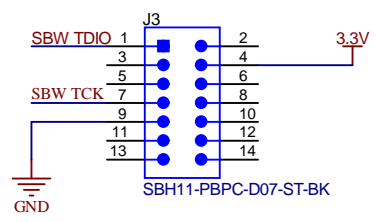
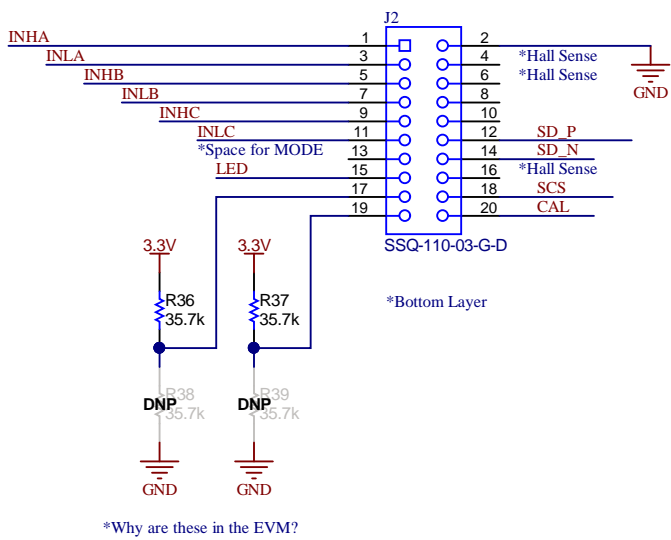
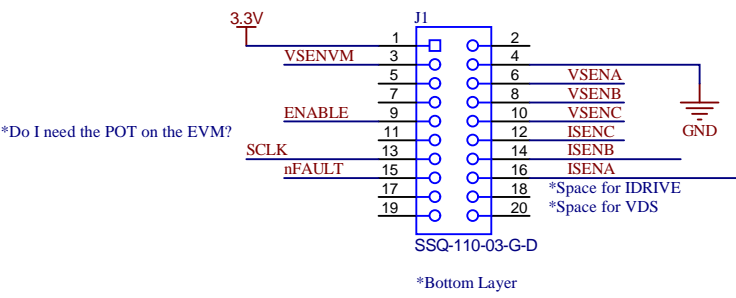




MSP430FR2155



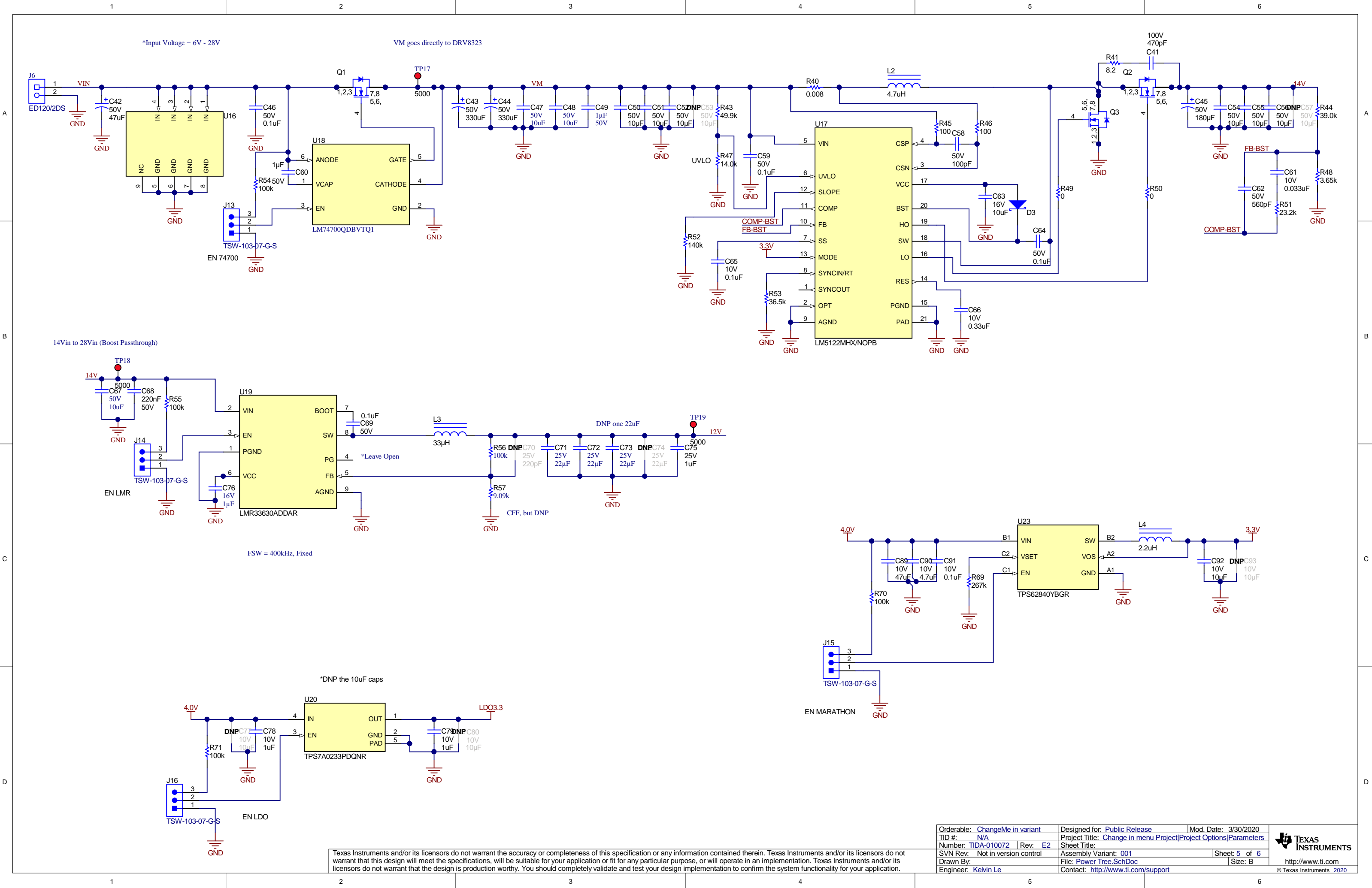
ESD Protection



Off-Board Connectors

Texas Instruments and/or its licensors do not warrant the accuracy or completeness of this specification or any information contained therein. Texas Instruments and/or its licensors do not warrant that this design will meet the specifications, will be suitable for your application or fit for any particular purpose, or will operate in an implementation. Texas Instruments and/or its licensors do not warrant that the design is production worthy. You should completely validate and test your design implementation to confirm the system functionality for your application.

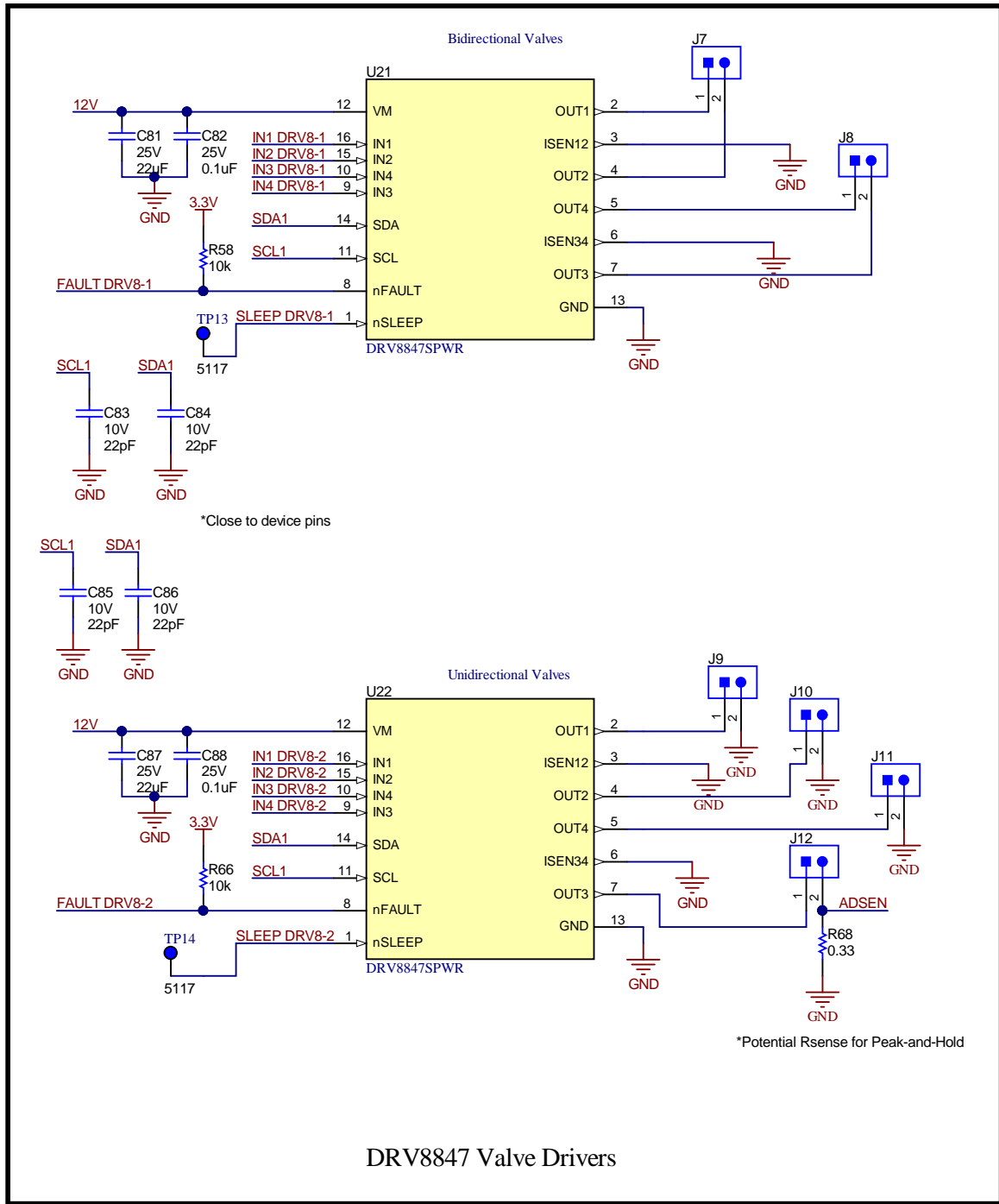
Orderable: <a href="#">ChangeMe in variant</a>	Designed for: <a href="#">Public Release</a>	Mod. Date: 8/17/2020	
TID #: N/A	Project Title: <a href="#">Change in menu Project/Project Options/Parameters</a>	Sheet Title:	
Number: <a href="#">TIDA-010072</a>	Rev: <a href="#">E2</a>	Assembly Variant: 001	Sheet: 4 of 6
SVN Rev: Not in version control	File: <a href="#">MCU and Connectors_SchDoc</a>	Size: B	http://www.ti.com
Drawn By:	Engineer: <a href="#">Kelvin Le</a>	Contact: <a href="#">http://www.ti.com/support</a>	© Texas Instruments 2020



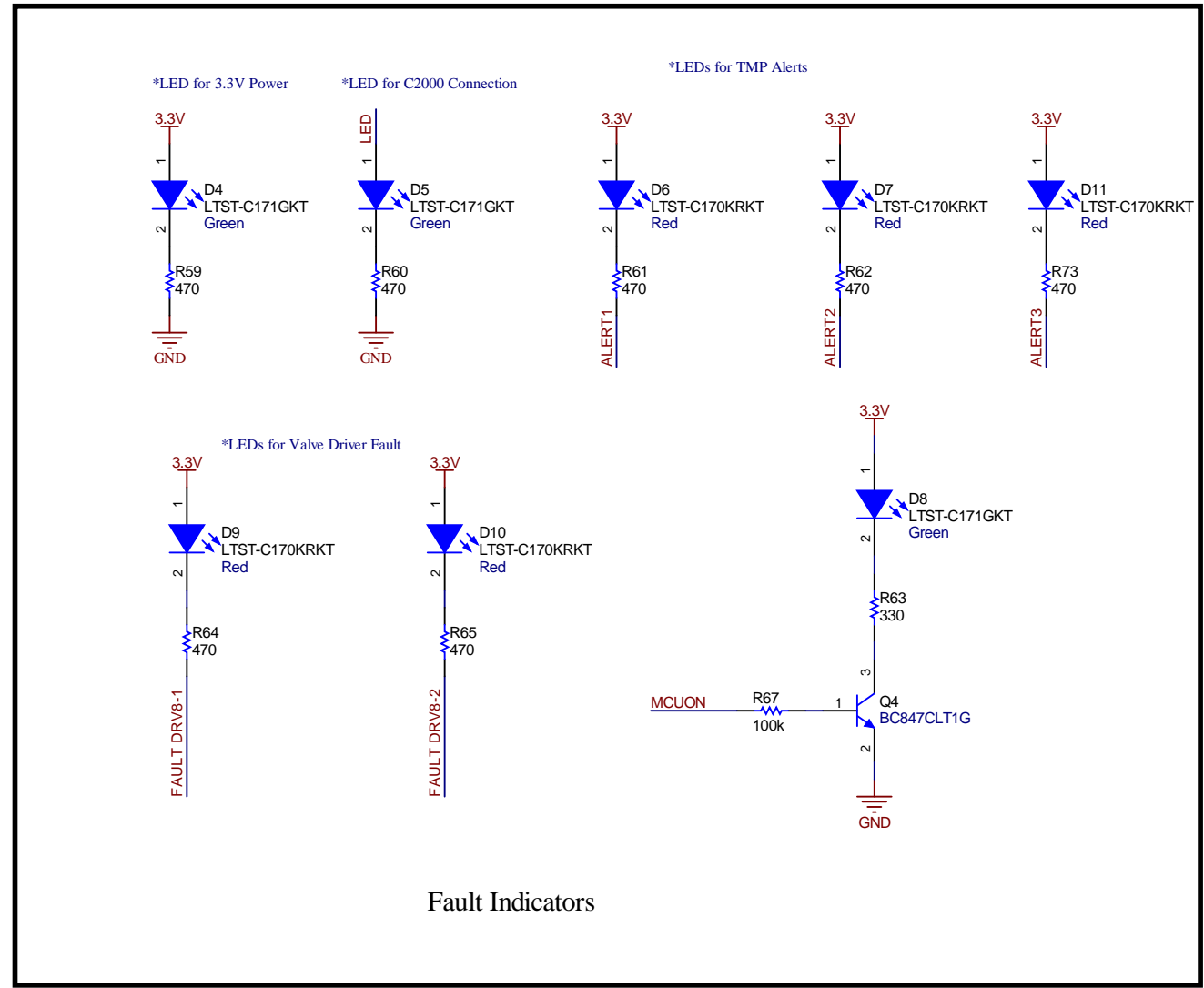
Texas Instruments and/or its licensors do not warrant the accuracy or completeness of this specification or any information contained therein. Texas Instruments and/or its licensors do not warrant that this design will meet the specifications, will be suitable for your application or fit for any particular purpose, or will operate in an implementation. Texas Instruments and/or its licensors do not warrant that the design is production worthy. You should completely validate and test your design implementation to confirm the system functionality for your application.

Orderable: <a href="#">ChangeMe in variant</a>	Designed for: <a href="#">Public Release</a>	Mod. Date: 3/30/2020
TID #: N/A	Project Title: <a href="#">Change in menu Project Project Options Parameters</a>	
Number: <a href="#">TIDA-010072</a>	Rev: <a href="#">E2</a>	Sheet Title:
SVN Rev: Not in version control	Assembly Variant: 001	Sheet: 5 of 6
Drawn By:	File: <a href="#">Power Tree.SchDoc</a>	Size: B
Engineer: <a href="#">Kelvin Le</a>	Contact: <a href="#">http://www.ti.com/support</a>	

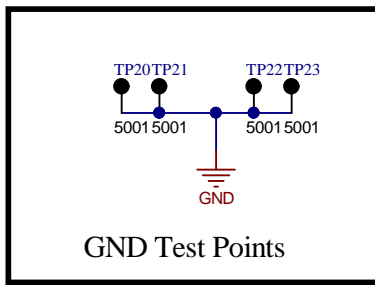




DRV8847 Valve Drivers



Fault Indicators



GND Test Points

Texas Instruments and/or its licensors do not warrant the accuracy or completeness of this specification or any information contained therein. Texas Instruments and/or its licensors do not warrant that this design will meet the specifications, will be suitable for your application or fit for any particular purpose, or will operate in an implementation. Texas Instruments and/or its licensors do not warrant that the design is production worthy. You should completely validate and test your design implementation to confirm the system functionality for your application.

Orderable: <a href="#">ChangeMe in variant</a>	Designed for: <a href="#">Public Release</a>	Mod. Date: 5/6/2019
TID #: N/A	Project Title: <a href="#">Change in menu Project Project Options Parameters</a>	
Number: <a href="#">TIDA-010072</a>	Rev: <a href="#">E2</a>	Sheet: 6 of 6
SVN Rev: Not in version control	Assembly Variant: 001	Size: B
Drawn By:	File: <a href="#">Valve Drivers and Fault Indicators.SchDoc</a>	Contact: <a href="http://www.ti.com/support">http://www.ti.com/support</a>
Engineer: <a href="#">Kelvin Le</a>		© Texas Instruments 2020



## IMPORTANT NOTICE AND DISCLAIMER

TI PROVIDES TECHNICAL AND RELIABILITY DATA (INCLUDING DATASHEETS), DESIGN RESOURCES (INCLUDING REFERENCE DESIGNS), APPLICATION OR OTHER DESIGN ADVICE, WEB TOOLS, SAFETY INFORMATION, AND OTHER RESOURCES "AS IS" AND WITH ALL FAULTS, AND DISCLAIMS ALL WARRANTIES, EXPRESS AND IMPLIED, INCLUDING WITHOUT LIMITATION ANY IMPLIED WARRANTIES OF MERCHANTABILITY, FITNESS FOR A PARTICULAR PURPOSE OR NON-INFRINGEMENT OF THIRD PARTY INTELLECTUAL PROPERTY RIGHTS.

These resources are intended for skilled developers designing with TI products. You are solely responsible for (1) selecting the appropriate TI products for your application, (2) designing, validating and testing your application, and (3) ensuring your application meets applicable standards, and any other safety, security, or other requirements. These resources are subject to change without notice. TI grants you permission to use these resources only for development of an application that uses the TI products described in the resource. Other reproduction and display of these resources is prohibited. No license is granted to any other TI intellectual property right or to any third party intellectual property right. TI disclaims responsibility for, and you will fully indemnify TI and its representatives against, any claims, damages, costs, losses, and liabilities arising out of your use of these resources.

TI's products are provided subject to TI's Terms of Sale ([www.ti.com/legal/termsofsale.html](http://www.ti.com/legal/termsofsale.html)) or other applicable terms available either on [ti.com](http://ti.com) or provided in conjunction with such TI products. TI's provision of these resources does not expand or otherwise alter TI's applicable warranties or warranty disclaimers for TI products.

Mailing Address: Texas Instruments, Post Office Box 655303, Dallas, Texas 75265  
Copyright © 2020, Texas Instruments Incorporated