
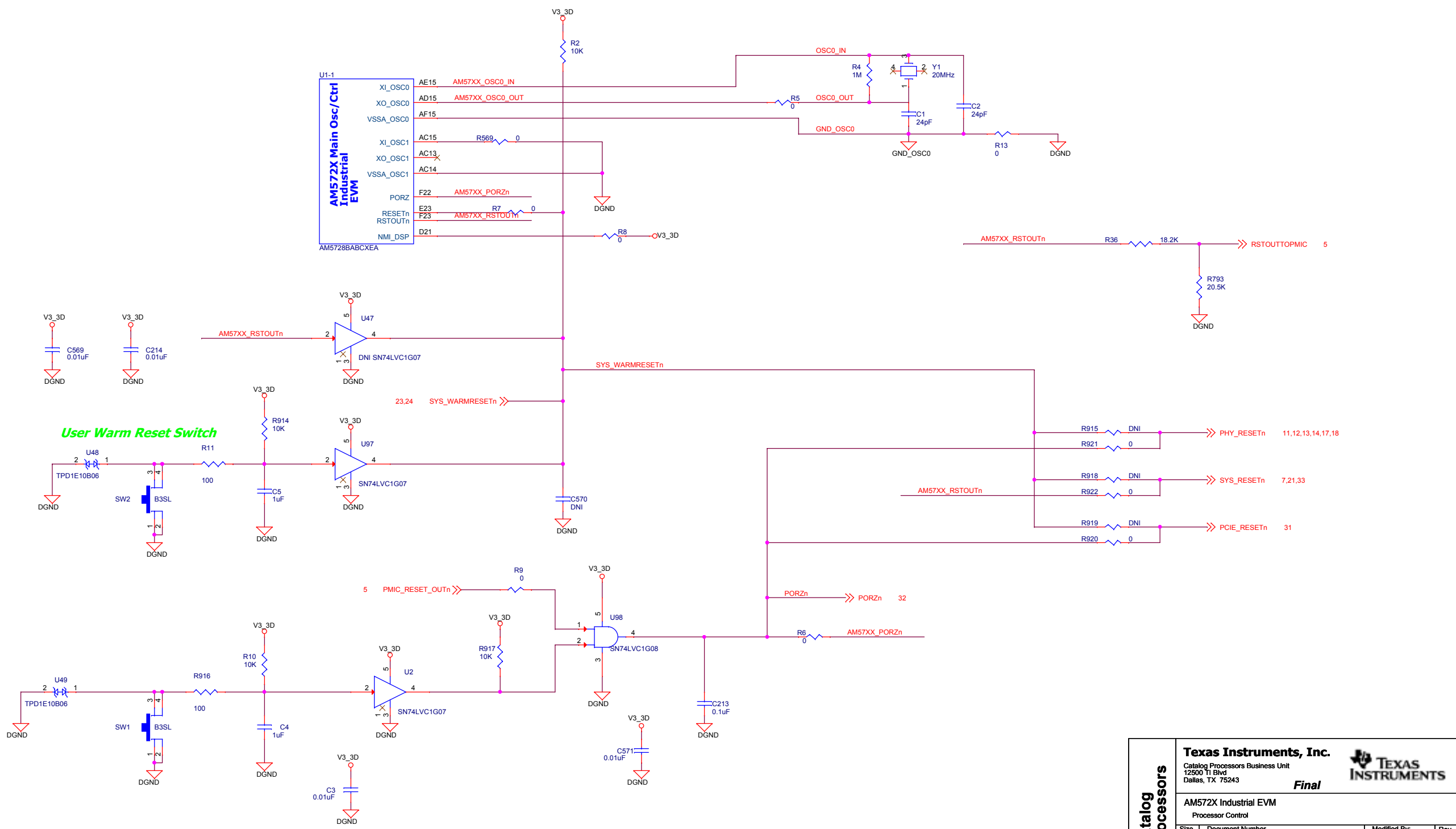


ARM MPU AM572X Industrial EVM ABC Package

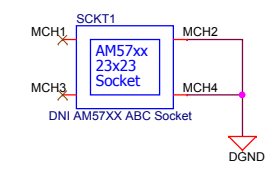
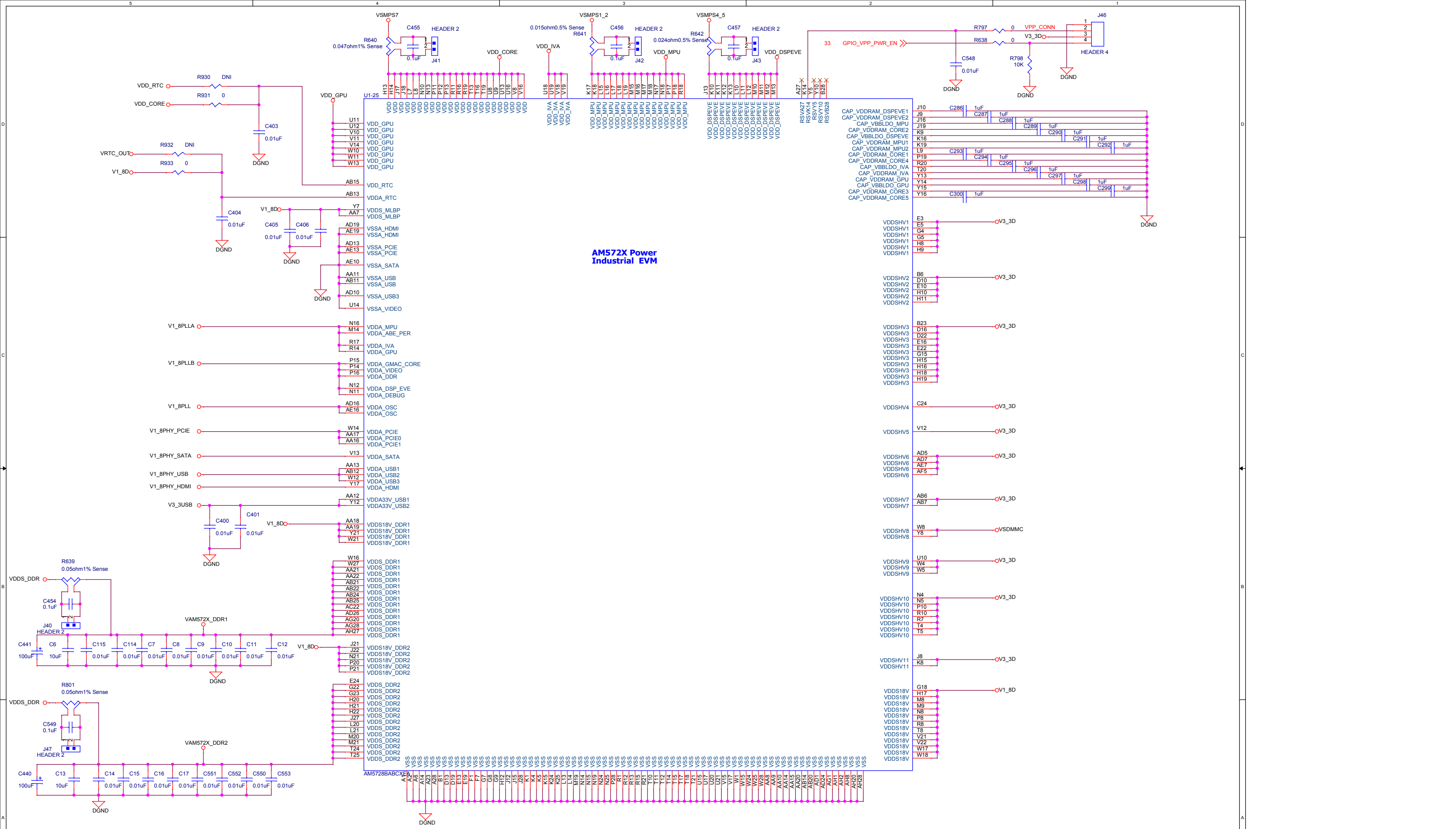
- See the Hardware User Guide for board details
- See the Errata Document for design Issues
- See the PCB Build Specification for PCB Details

PCB1
AM572x Industrial EVM Bare PCB

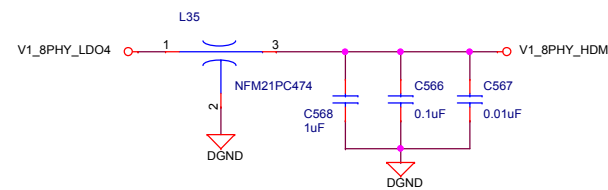
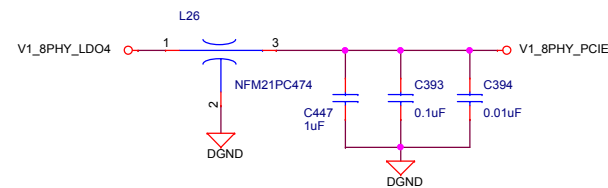
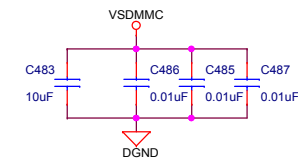
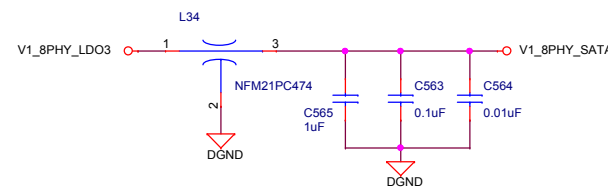
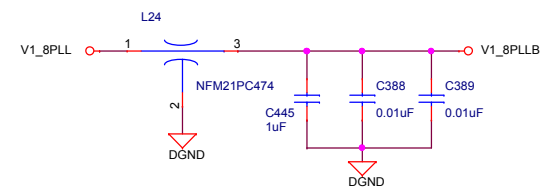
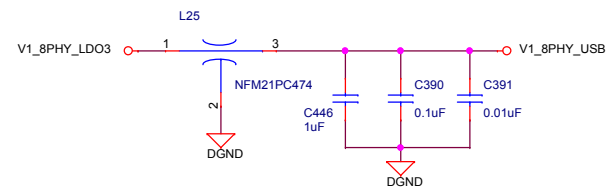
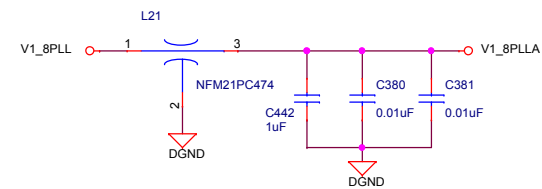
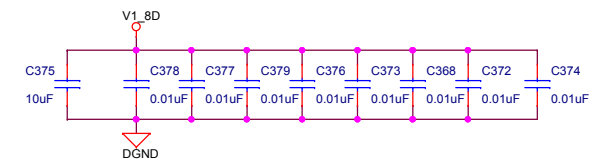
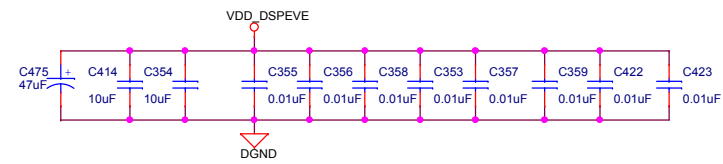
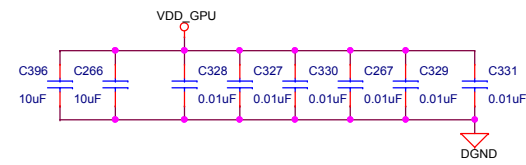
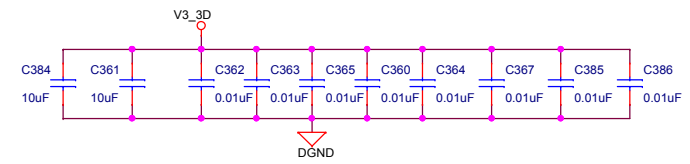
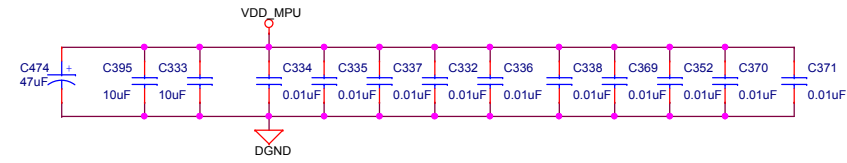
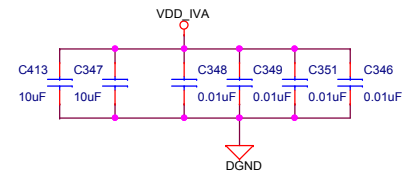
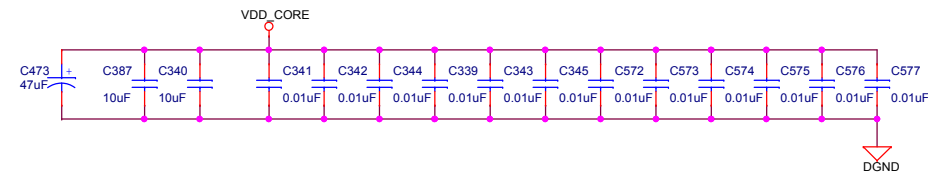
Catalog Processors	Texas Instruments, Inc.			
	Catalog Processors Business Unit 12500 TI Blvd Dallas, TX 75243			
	Final			
	AM572X Industrial EVM Title Page			
Size	Document Number	Modified By:	Rev	
C	am572x_industrial_evm_3M0001.dsn	Tom Johnson	1.3B	
Date:	Monday, April 04, 2016	Sheet: 1	of 33	



Catalog Processors	Texas Instruments, Inc.		
	Catalog Processors Business Unit 12500 TI Blvd Dallas, TX 75243		
	Final		
	AM572X Industrial EVM		
Processor Control			
Size	Document Number	Modified By:	Rev
C	am572x_industrial_evm_3M0001.dsn	Tom Johnson	1.3B
Date:	Monday, April 04, 2016	Sheet: 2	of 33

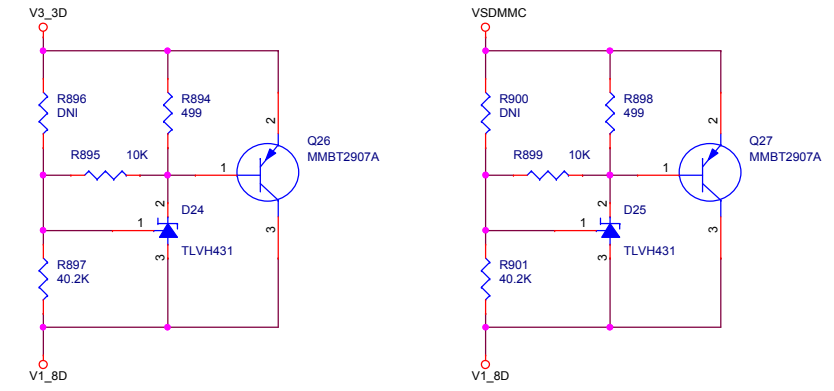
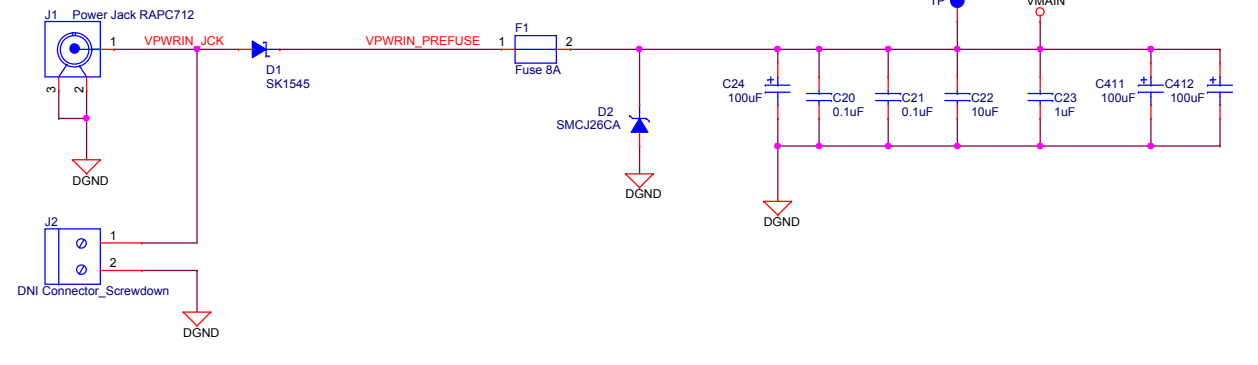


Catalog Processors	Texas Instruments, Inc.		
	Catalog Processors Business Unit 12500 TI Blvd Dallas, TX 75243		
	Final		
	AM572X Industrial EVM		
Processor Power			
Size	Document Number	Modified By:	Rev
C	am572x_industrial_ewm_3M0001.dsn	Tom Johnson	1.3B
Date:	Monday, April 04, 2016	Sheet: 3	of 33

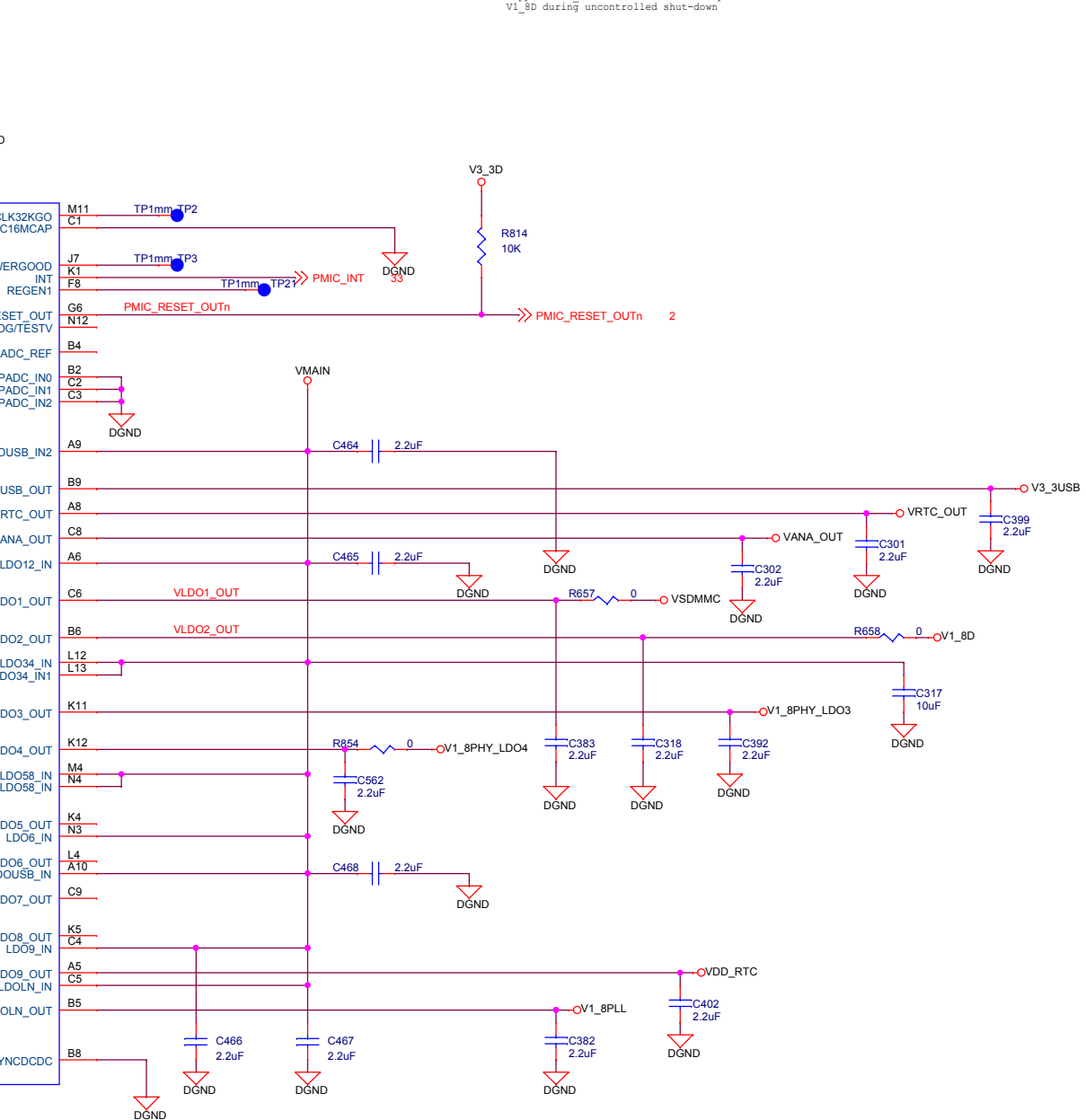
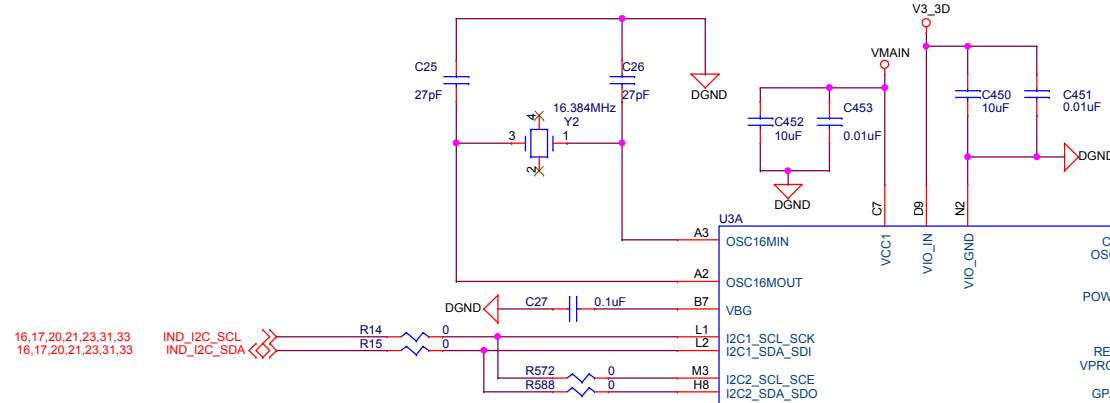


Catalog Processors	Texas Instruments, Inc.		
	Catalog Processors Business Unit 12500 TI Blvd Dallas, TX 75243		
	Final		
	AM572X Industrial EVM Processor Power		
Size	Document Number	Modified By:	Rev
C	am572x_industrial_ewm_3M0001.dsn	Tom Johnson	1.3B
Date:	Monday, April 04, 2016	Sheet: 4	of 33

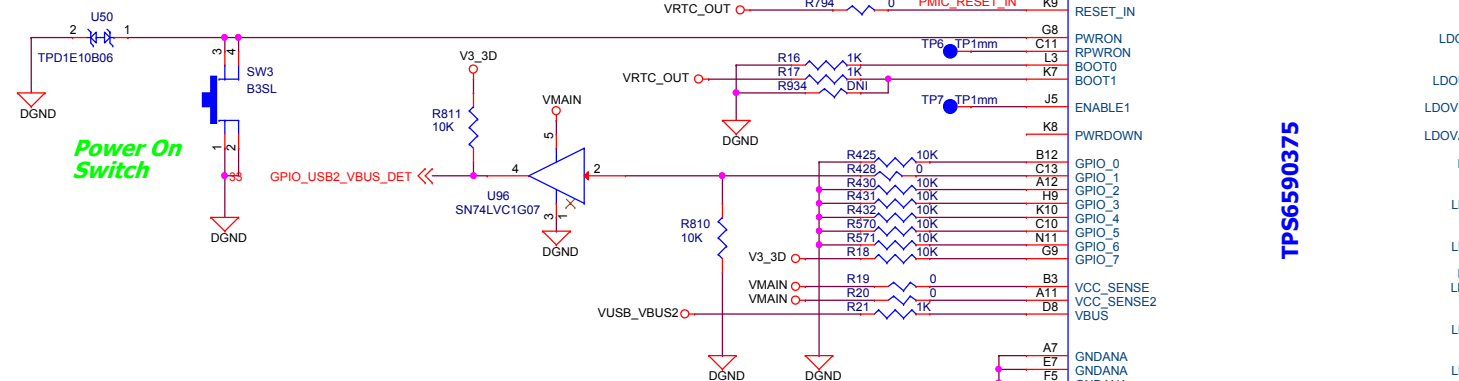
Main 5VDC Power Input



Clamp circuits add to guarantee the 3.3V supplies V3_3D and VSDMMC never drop below V1_8D during uncontrolled shut-down



Power On Switch

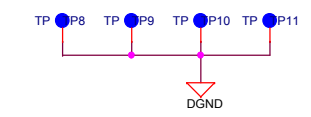


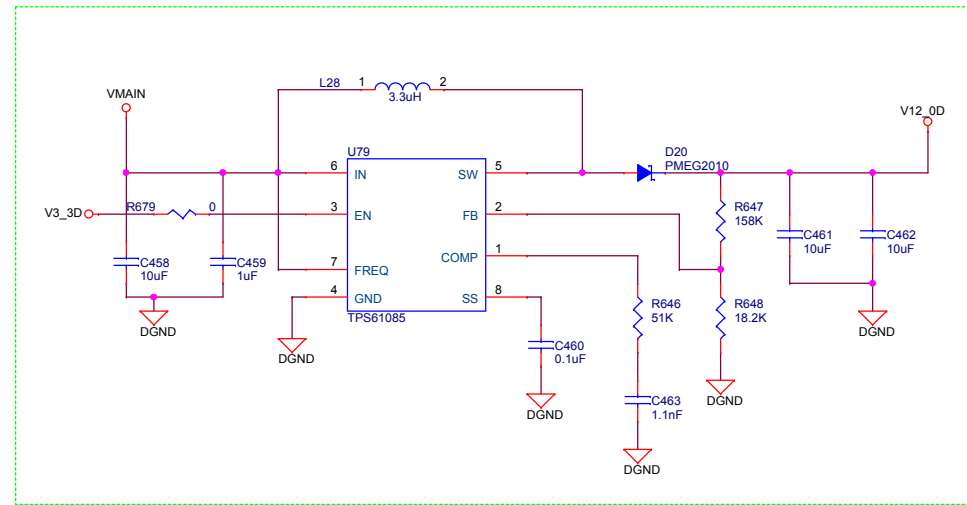
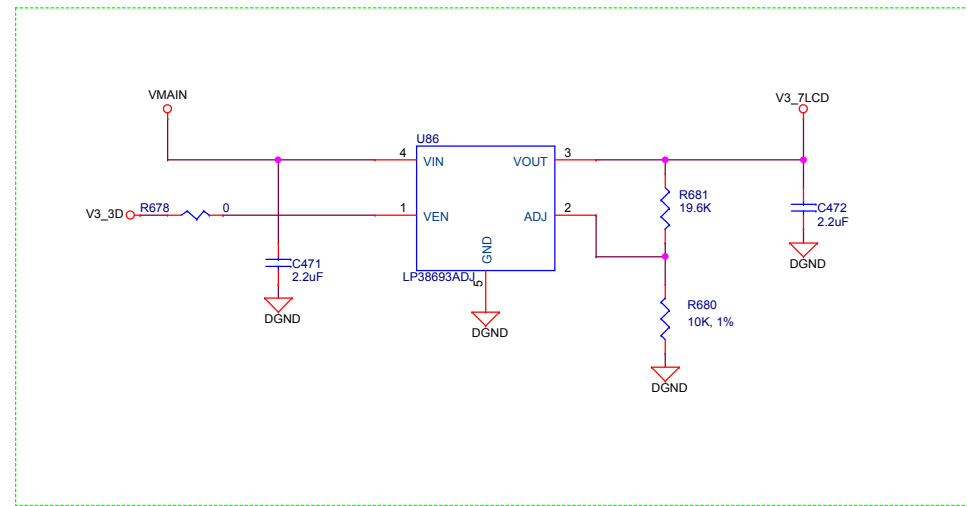
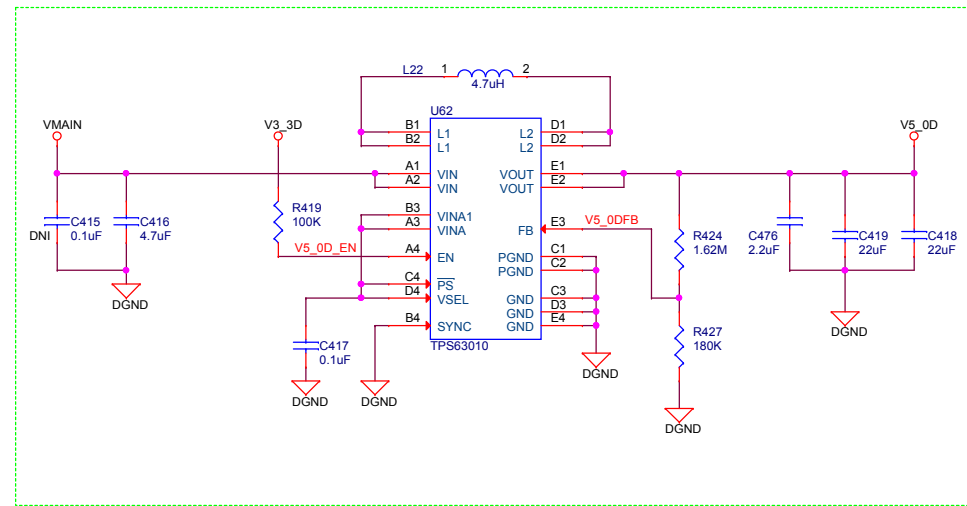
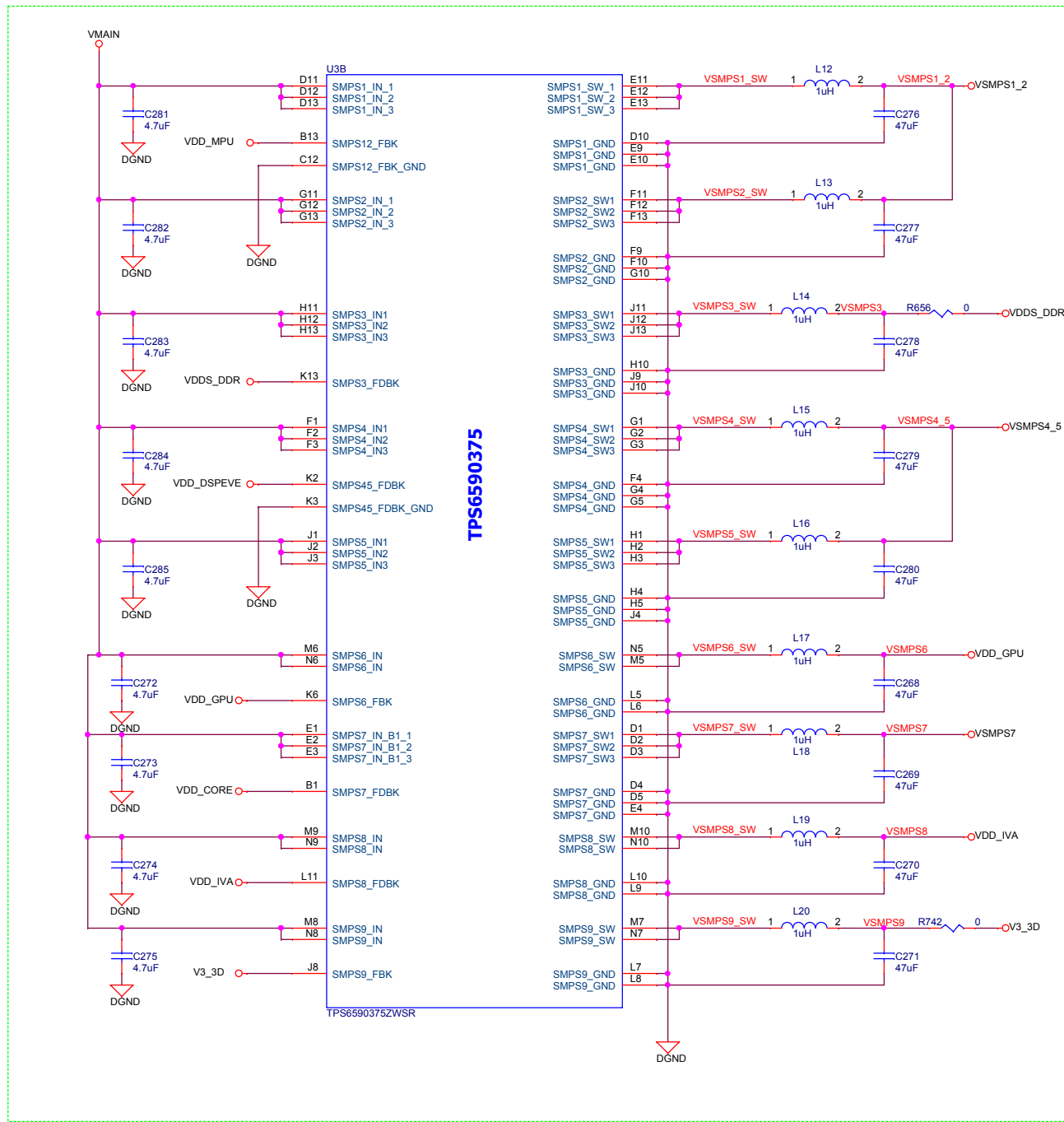
TPS6590375

Texas Instruments, Inc.
 Catalog Processors Business Unit
 12500 TI Blvd
 Dallas, TX 75243
Final

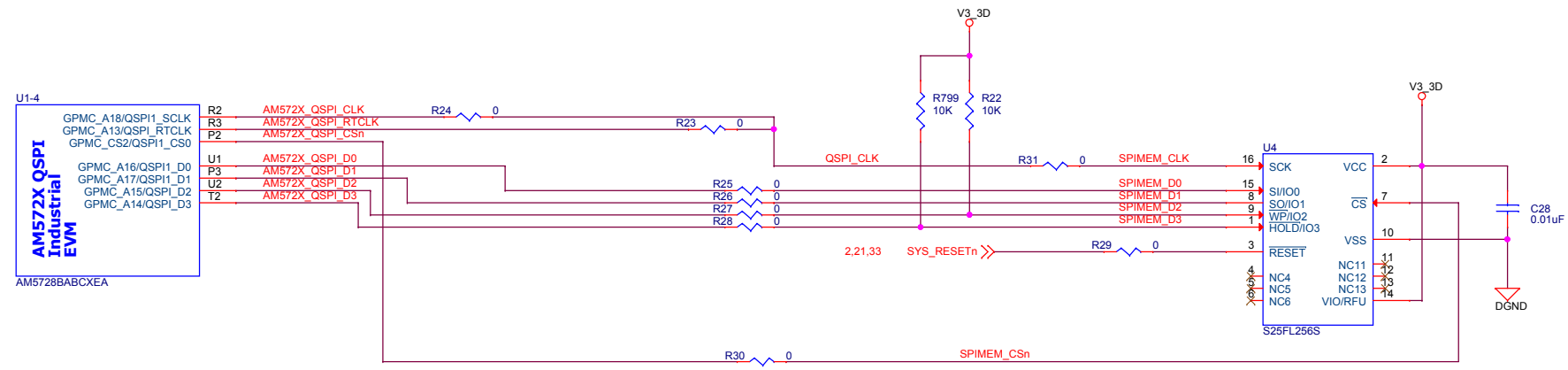
AM572X Industrial EVM
 Power

Size	Document Number	Modified By:	Rev
C	am572x_industrial_evm_3M0001.dsn	Tom Johnson	1.3B
Date:	Monday, April 04, 2016	Sheet: 5	of 33



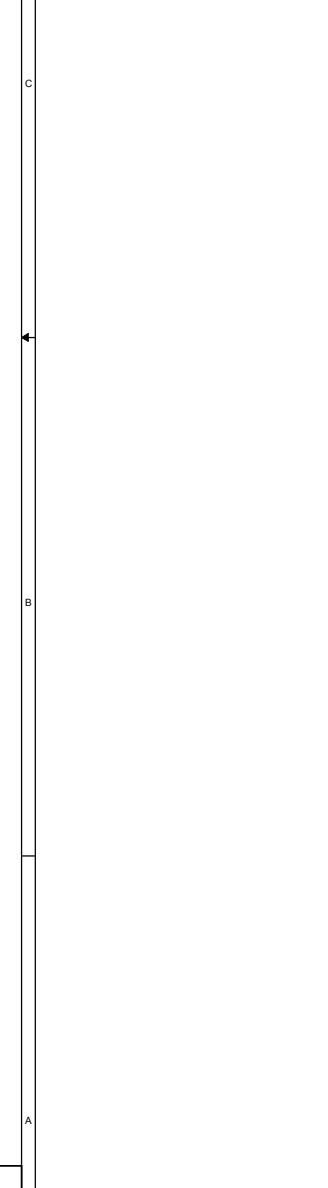
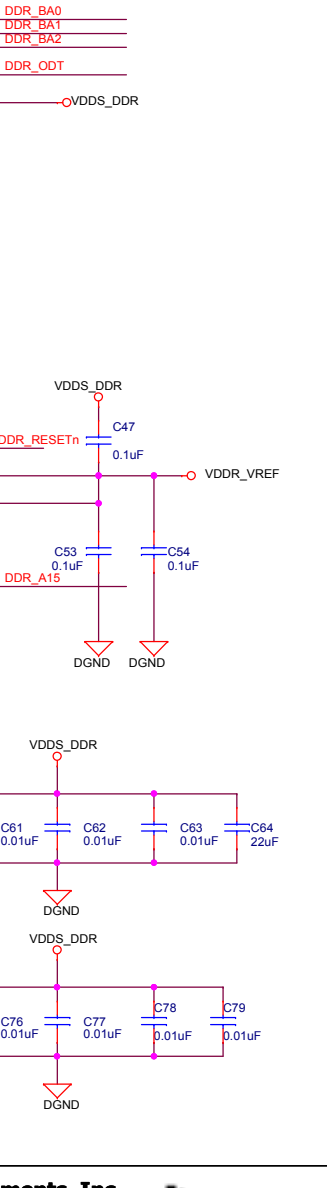
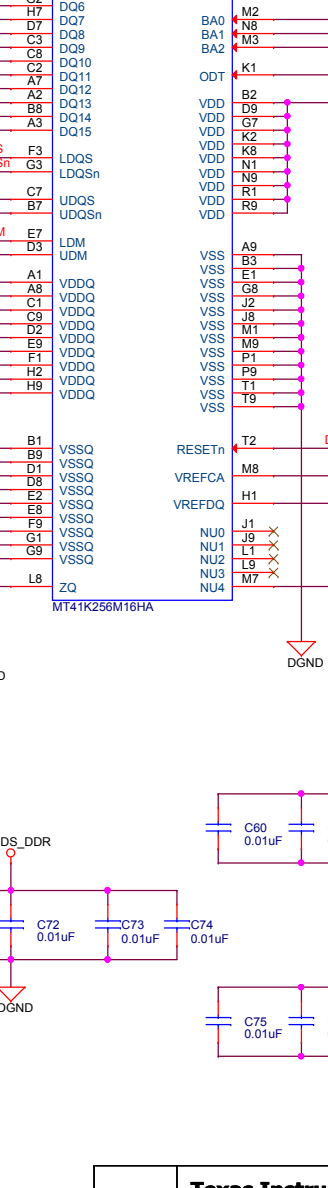
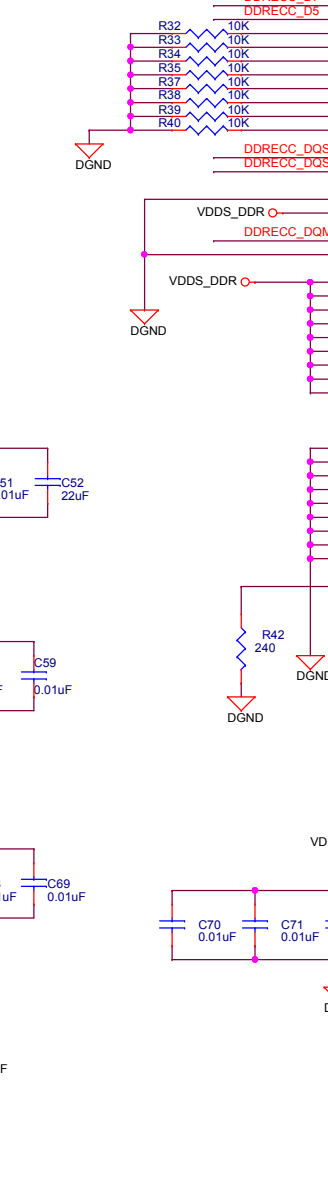
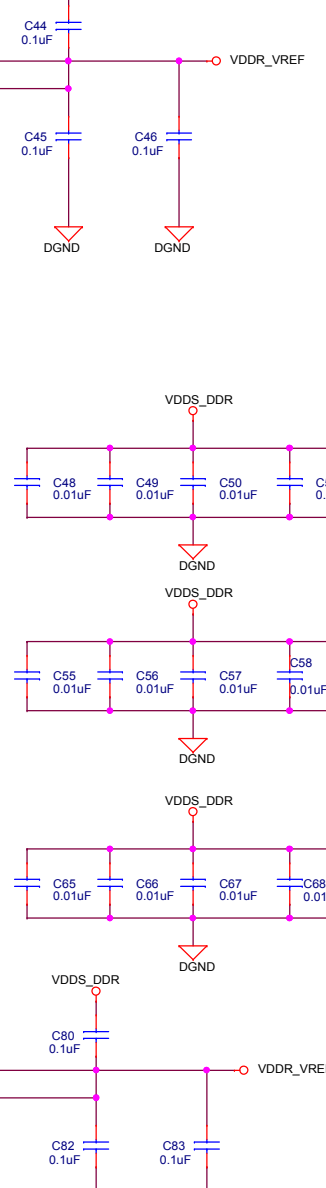
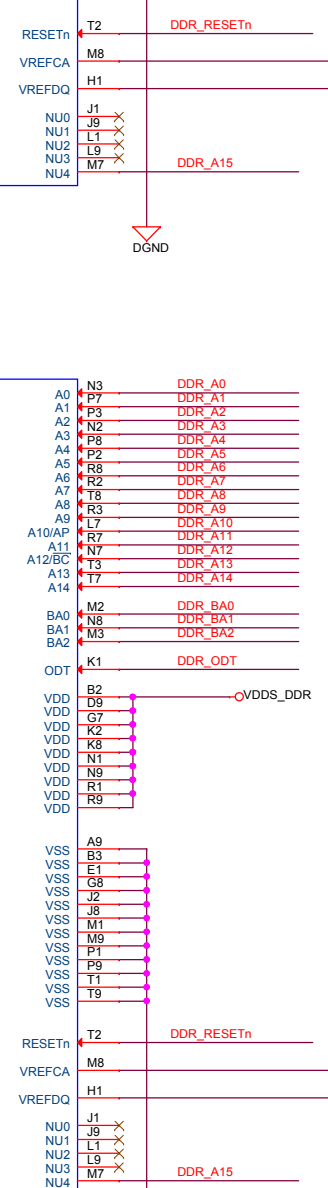
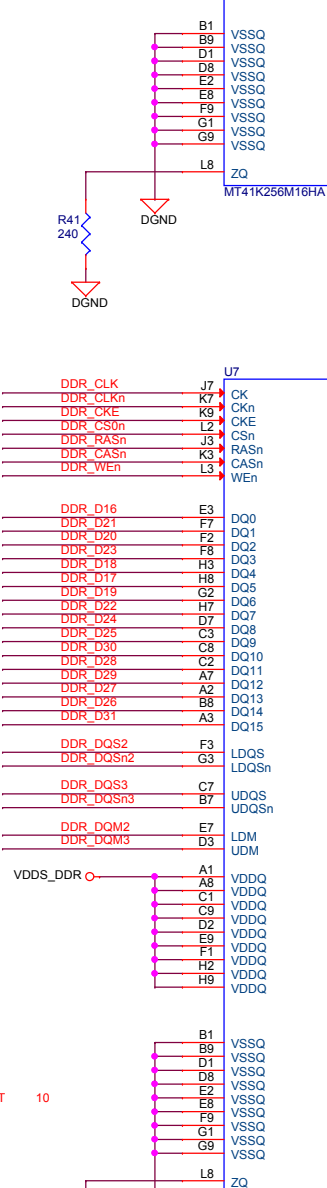
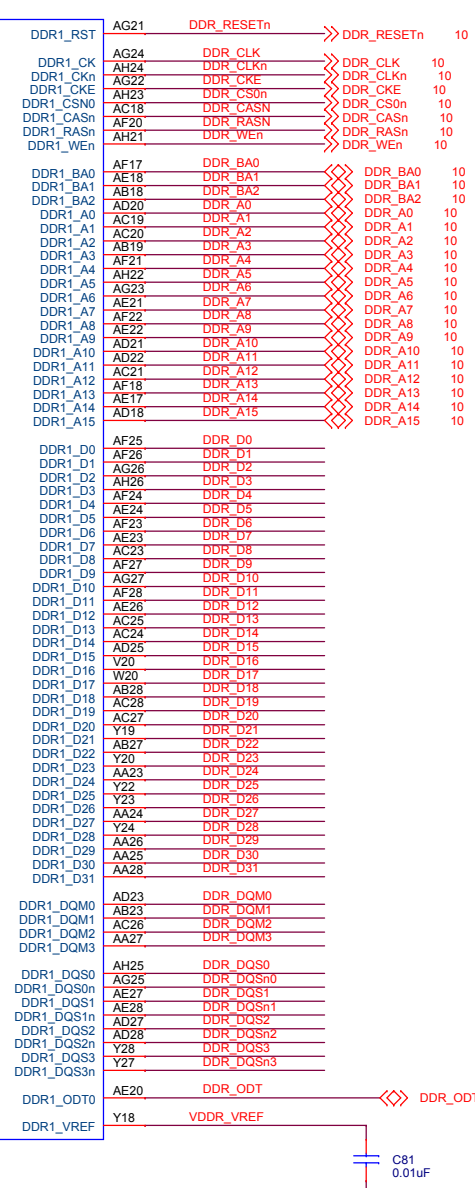


Catalog Processors	Texas Instruments, Inc.		
	Catalog Processors Business Unit 12500 TI Blvd Dallas, TX 75243		
	Final		
	TEXAS INSTRUMENTS		
AM572X Industrial EVM			
Power			
Size	Document Number	Modified By:	Rev
C	am572x_industrial_evm_3M0001.dsn	Tom Johnson	1.3B
Date:	Monday, April 04, 2016	Sheet: 6	of 33



AM572X DDR Industrial EVM

- DDRECC_D0 W22
- DDRECC_D1 V23
- DDRECC_D2 W19
- DDRECC_D3 W23
- DDRECC_D4 Y25
- DDRECC_D5 V24
- DDRECC_D6 V25
- DDRECC_D7 Y26
- DDRECC_DQM V26
- DDRECC_DQS V27
- DDRECC_DQSn V28



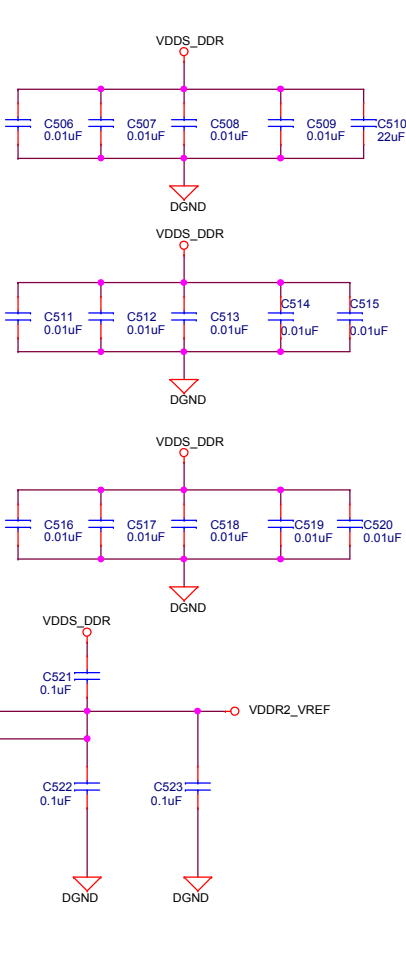
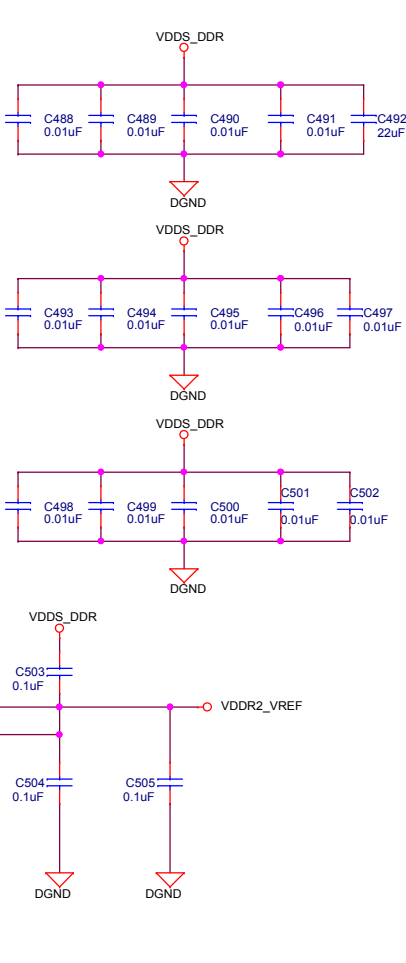
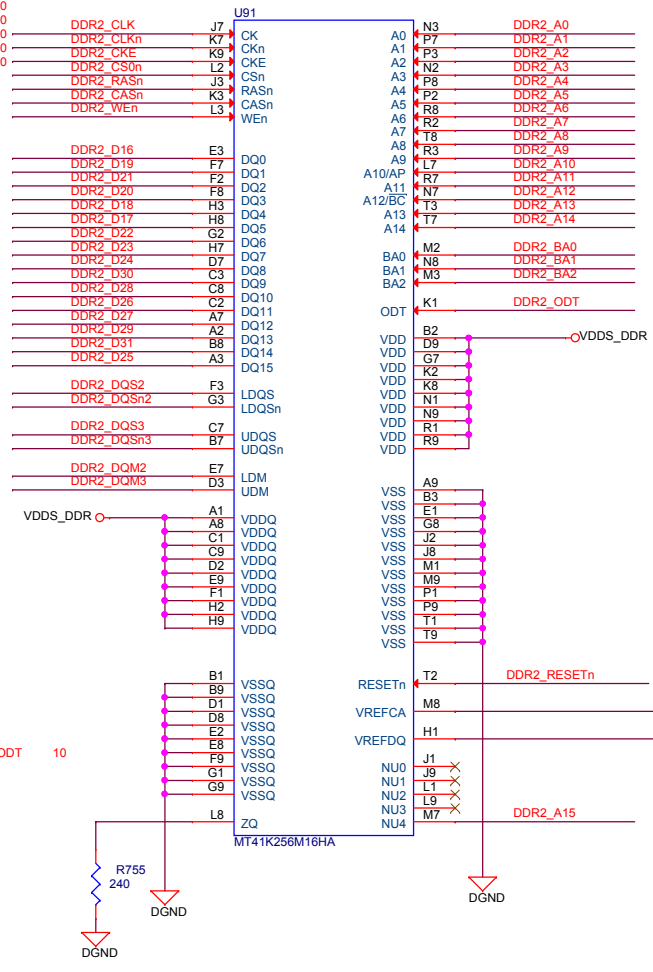
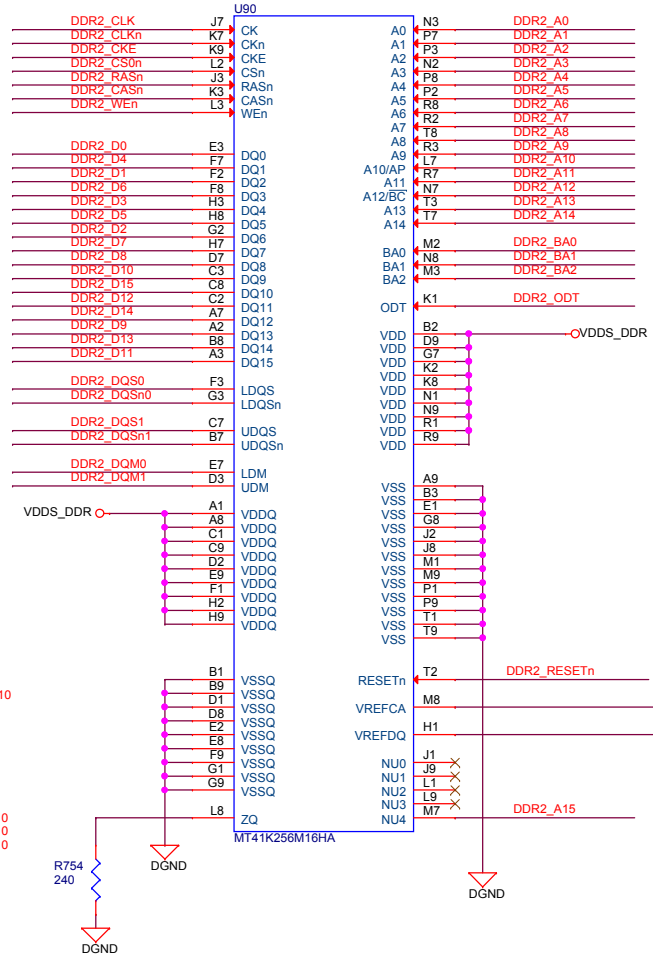
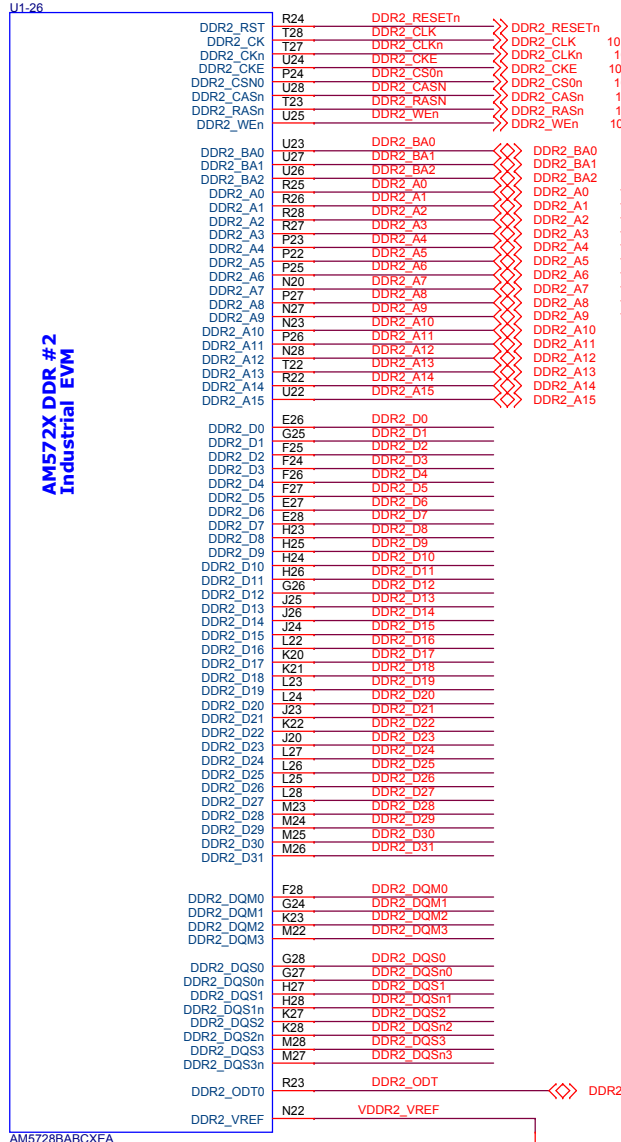
Texas Instruments, Inc.
 Catalog Processors Business Unit
 12500 TI Blvd
 Dallas, TX 75243

Final

AM572X Industrial EVM
 DDR3 Memory

Size	Document Number	Modified By:	Rev
C	am572x_industrial_ewm_3M0001.dsn	Tom Johnson	1.3B

Date: Monday, April 04, 2016 Sheet: 8 of 33



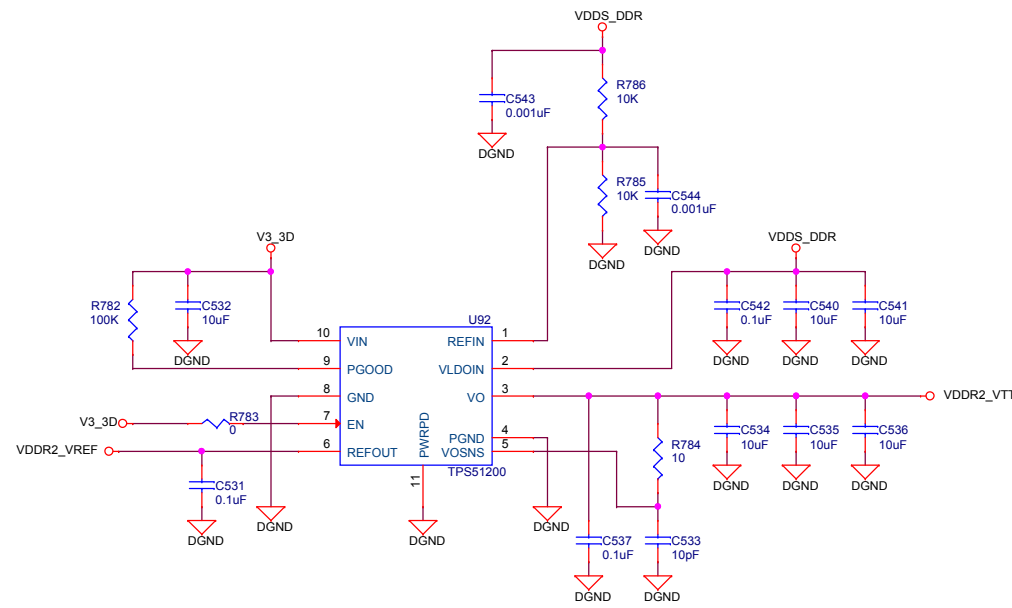
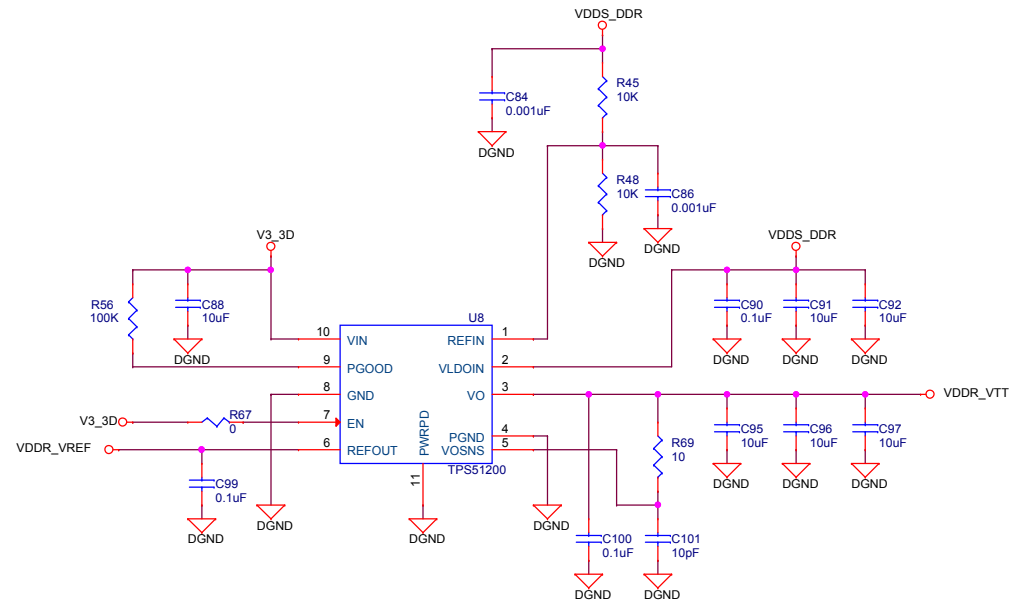
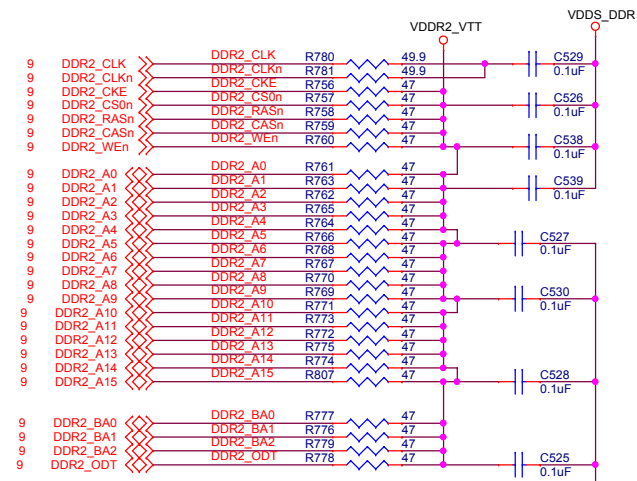
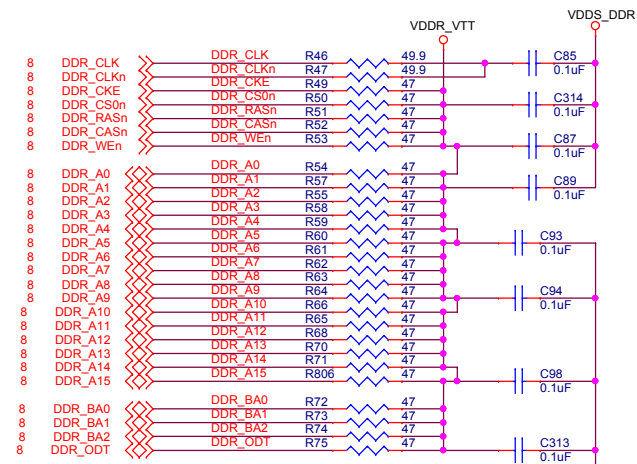
Catalog Processors

Texas Instruments, Inc.
 Catalog Processors Business Unit
 12500 TI Blvd
 Dallas, TX 75243
Final

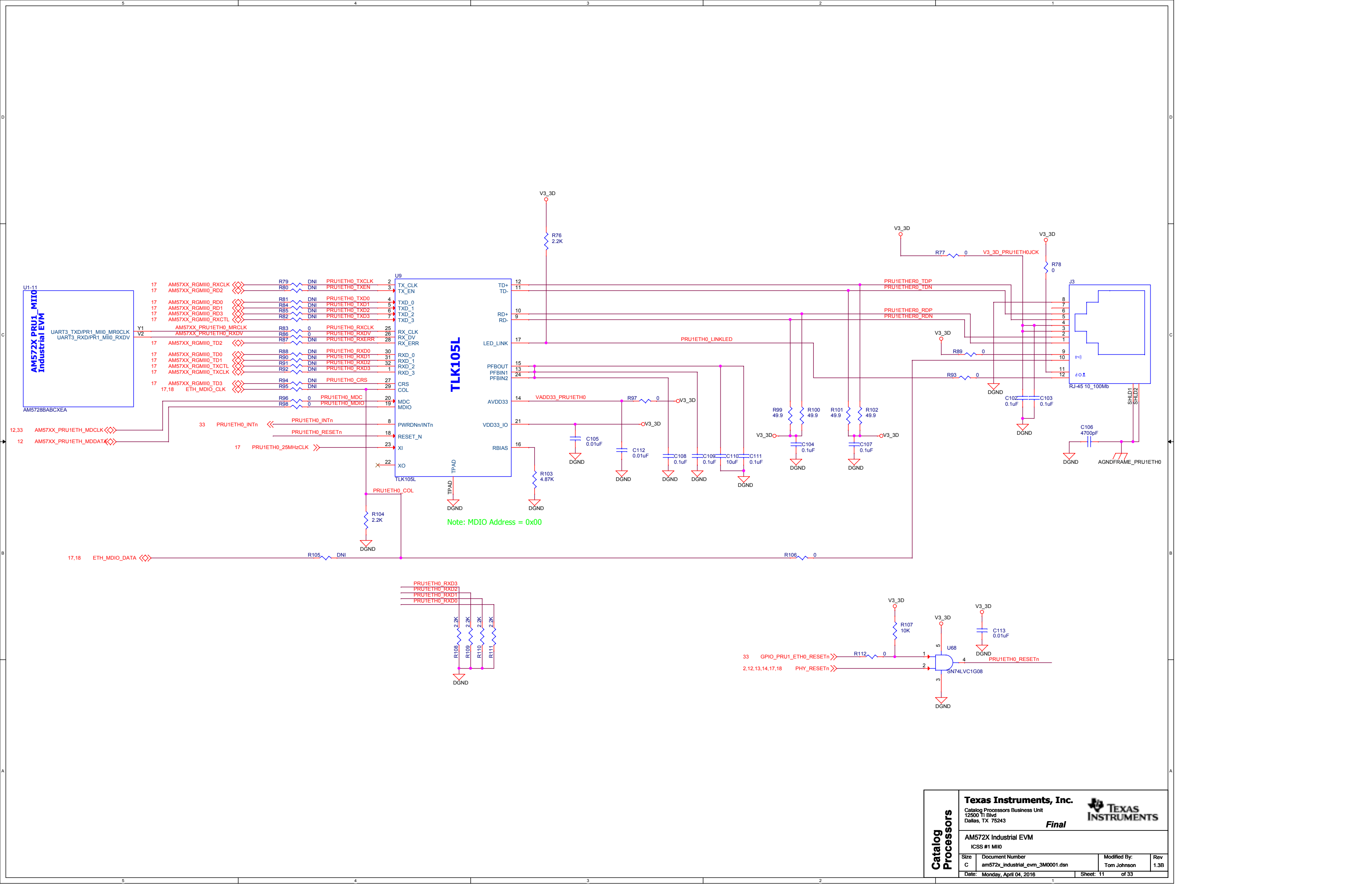
AM572X Industrial EVM
 DDR3 Memory 2

Size	Document Number	Modified By:	Rev
C	am572x_industrial_ewm_3M0001.dsn	Tom Johnson	1.3B

Date: Monday, April 04, 2016 Sheet: 9 of 33



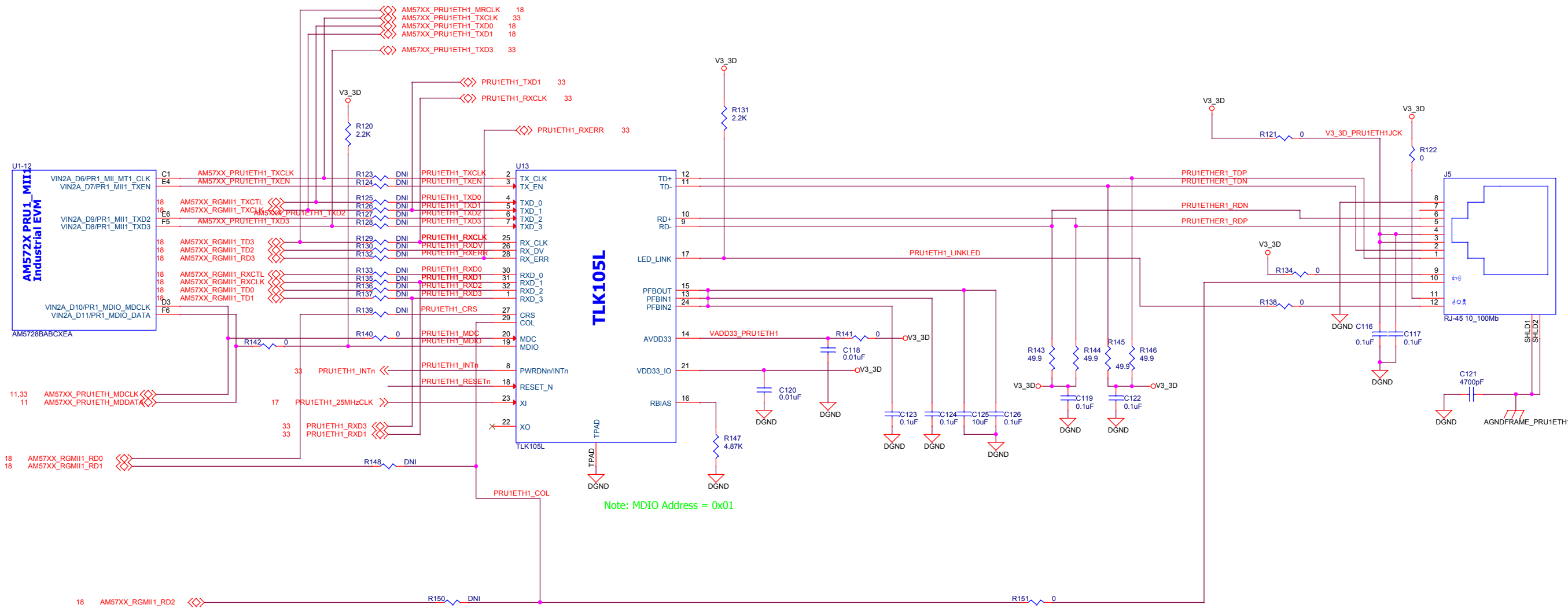
Catalog Processors	Texas Instruments, Inc.		
	Catalog Processors Business Unit 12500 TI Blvd Dallas, TX 75243		
	Final		
	TEXAS INSTRUMENTS		
AM572X Industrial EVM			
DDR3 VTT Termination			
Size	Document Number	Modified By:	Rev
C	am572x_industrial_ewm_3m0001.dsn	Tom Johnson	1.3B
Date:	Monday, April 04, 2016	Sheet: 10	of 33



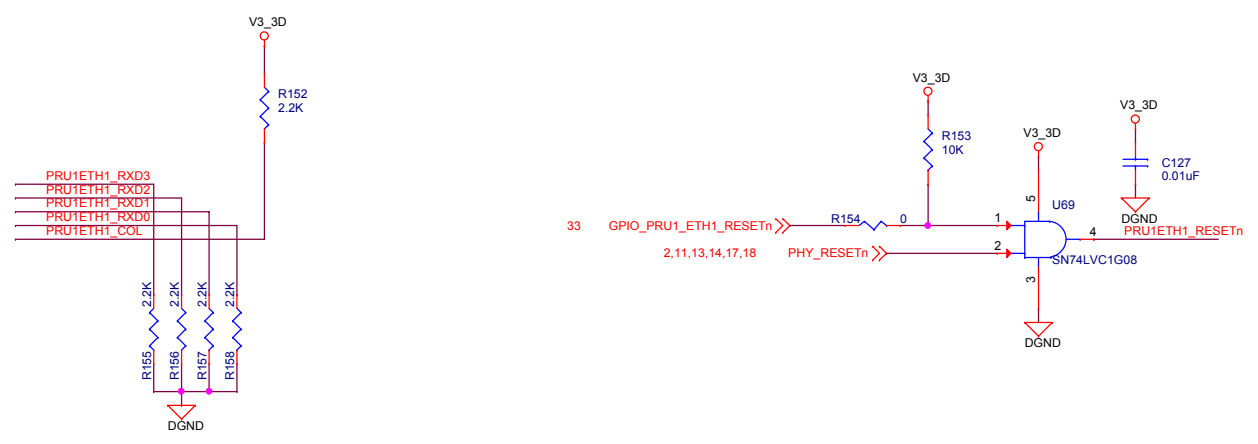
TLK105L

Note: MDIO Address = 0x00

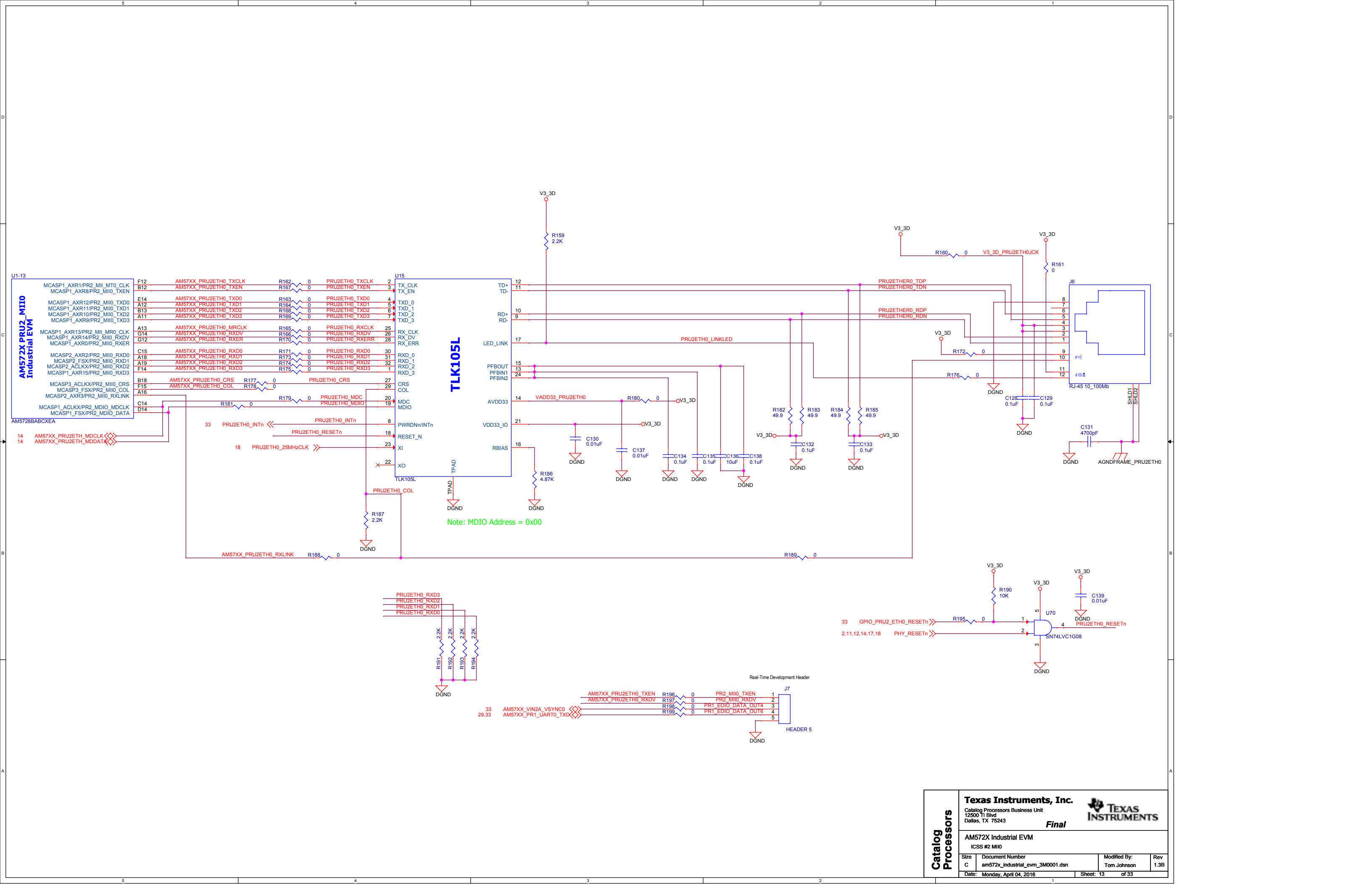
Catalog Processors	Texas Instruments, Inc.		
	Catalog Processors Business Unit 12500 TI Blvd Dallas, TX 75243		
	Final		
	TEXAS INSTRUMENTS		
AM572X Industrial EVM			
ICSS #1 MII0			
Size	Document Number	Modified By:	Rev
C	am572x_industrial_ewm_3M0001.dsn	Tom Johnson	1.3B
Date:	Monday, April 04, 2016	Sheet: 11	of 33



Note: MDIO Address = 0x01



Catalog Processors	Texas Instruments, Inc.		
	Catalog Processors Business Unit 12500 TI Blvd Dallas, TX 75243		
	Final		
	AM572X Industrial EVM ICSS #1 MII1		
Size	Document Number	Modified By:	Rev
C	am572x_industrial_ewm_3m0001.dsn	Tom Johnson	1.3B
Date:	Monday, April 04, 2016	Sheet: 12	of 33



U1-14
AM572X PRU2_MII1
Industrial EVM

GPIO6_10/PR2_MII1_CLK	AC5	AM57XX_PRU2ETH1_TXCLK	R204	0	PRU2ETH1_TXCLK	2	TX_CLK
GPIO6_11/PR2_MII1_TXEN	AB4	AM57XX_PRU2ETH1_TXEN	R205	0	PRU2ETH1_TXEN	3	TX_EN
MMC3_DAT1/PR2_MII1_TXD0	AC6	AM57XX_PRU2ETH1_TXD0	R206	0	PRU2ETH1_TXD0	4	TXD_0
MMC3_DAT0/PR2_MII1_TXD1	AC7	AM57XX_PRU2ETH1_TXD1	R208	0	PRU2ETH1_TXD1	5	TXD_1
MMC3_CMD/PR2_MII1_TXD2	AD4	AM57XX_PRU2ETH1_TXD2	R210	0	PRU2ETH1_TXD2	6	TXD_2
MMC3_CLK/PR2_MII1_TXD3	AD5	AM57XX_PRU2ETH1_TXD3	R207	0	PRU2ETH1_TXD3	7	TXD_3
MMC3_DAT2/PR2_MII1_CLK	AC9	AM57XX_PRU2ETH1_MRCLK	R209	0	PRU2ETH1_RXCLK	25	RX_CLK
MMC3_DAT3/PR2_MII1_RXDV	AC3	AM57XX_PRU2ETH1_RXDV	R211	0	PRU2ETH1_RXDV	26	RX_DV
MCASP3_AXR0/PR2_MII1_RXER	B19	AM57XX_PRU2ETH1_RXER	R212	0	PRU2ETH1_RXERR	28	RX_ERR
MMC3_DAT7/PR2_MII1_RXD0	AB5	AM57XX_PRU2ETH1_RXD0	R213	0	PRU2ETH1_RXD0	30	RXD_0
MMC3_DAT6/PR2_MII1_RXD1	AB8	AM57XX_PRU2ETH1_RXD1	R215	0	PRU2ETH1_RXD1	31	RXD_1
MMC3_DAT5/PR2_MII1_RXD2	AD6	AM57XX_PRU2ETH1_RXD2	R216	0	PRU2ETH1_RXD2	32	RXD_2
MMC3_DAT4/PR2_MII1_RXD3	AC8	AM57XX_PRU2ETH1_RXD3	R217	0	PRU2ETH1_RXD3	1	RXD_3
XREF_CLK1/PR2_MII1_CRS	E17		R219	0	PRU2ETH1_CRS	27	CRS
XREF_CLK0/PR2_MII1_COL	D18		R220	DNI	PRU2ETH1_COL	29	COL
MCASP3_AXR1/PR2_MII1_RXLINK	C17		R221	0	PRU2ETH1_MDIO	20	MDIO

AM5728BABCXEA

13 AM57XX_PRU2ETH1_MDCLK
13 AM57XX_PRU2ETH1_MDDATA

33 PRU2ETH1_INTn
18 PRU2ETH1_25MHzCLK

TPAD
TPAD
TPAD
TPAD

DGND
DGND
DGND
DGND

V3_3D
R201
2.2K

V3_3D
R200
2.2K

V3_3D
R202
0

V3_3D
R203
0

V3_3D
R214
0

V3_3D
R218
0

V3_3D
R223
0

V3_3D
R228
4.87K

V3_3D
R231
0

V3_3D
R232
2.2K

V3_3D
R233
10K

V3_3D
R234
0

V3_3D
R235
2.2K

V3_3D
R236
2.2K

V3_3D
R237
2.2K

V3_3D
R238
2.2K

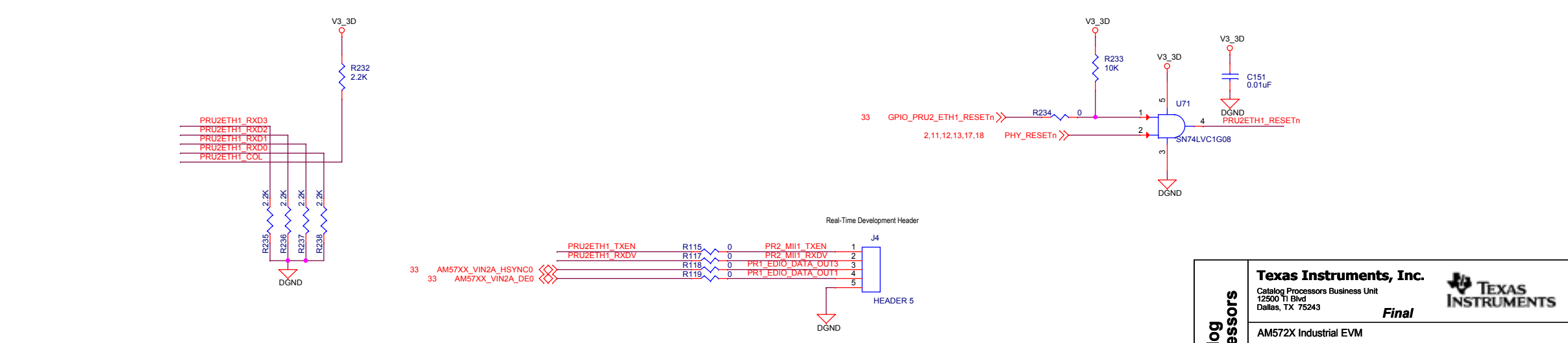
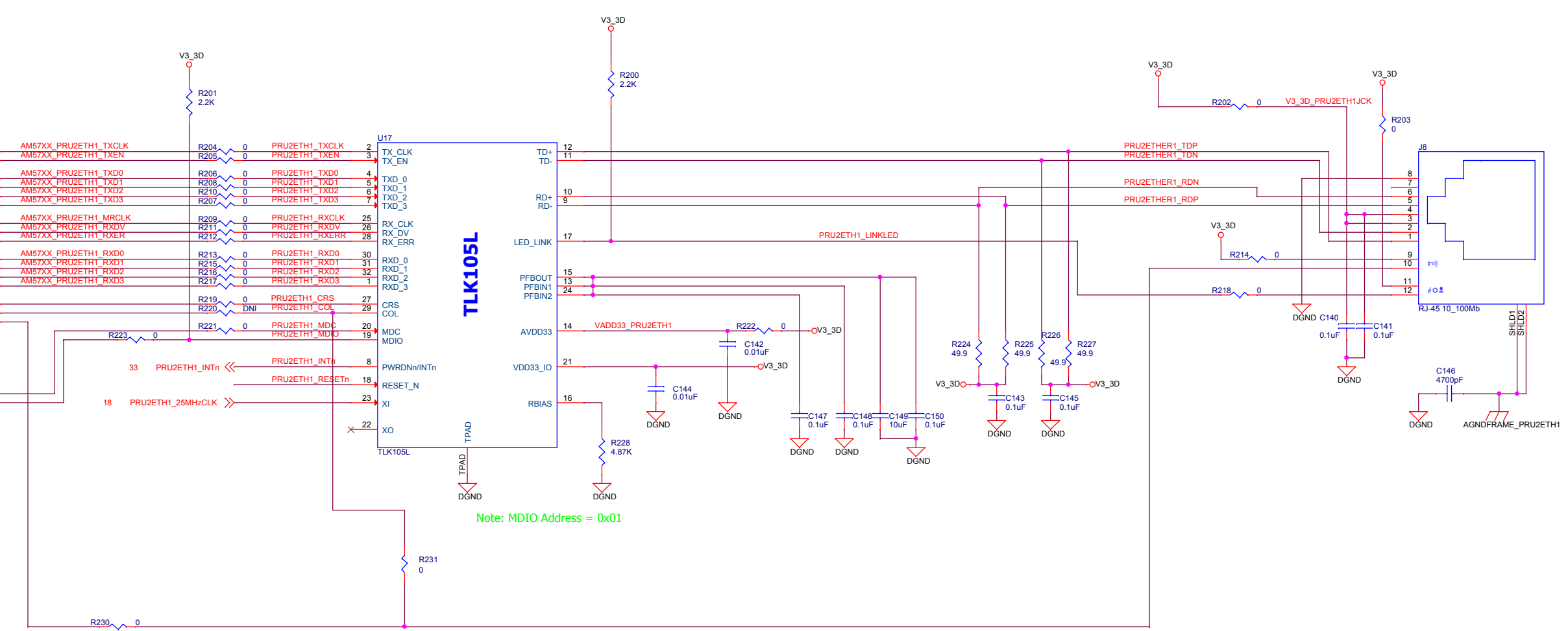
DGND
DGND
DGND
DGND

33 AM57XX_VIN2A_HSYNC0
33 AM57XX_VIN2A_DE0

PRU2ETH1_TXEN
PRU2ETH1_RXDV
PRU2ETH1_TXEN
PRU2ETH1_RXDV

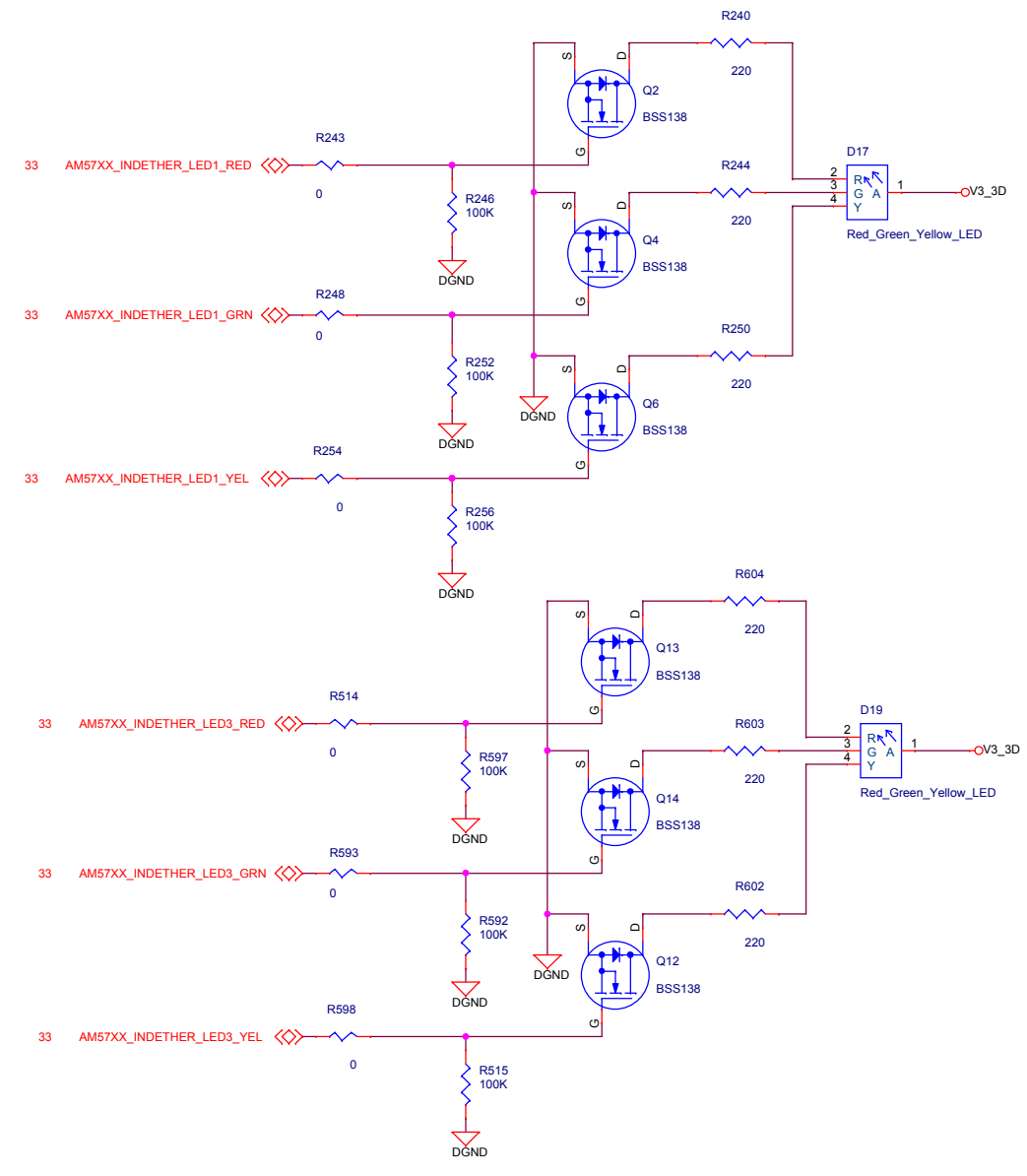
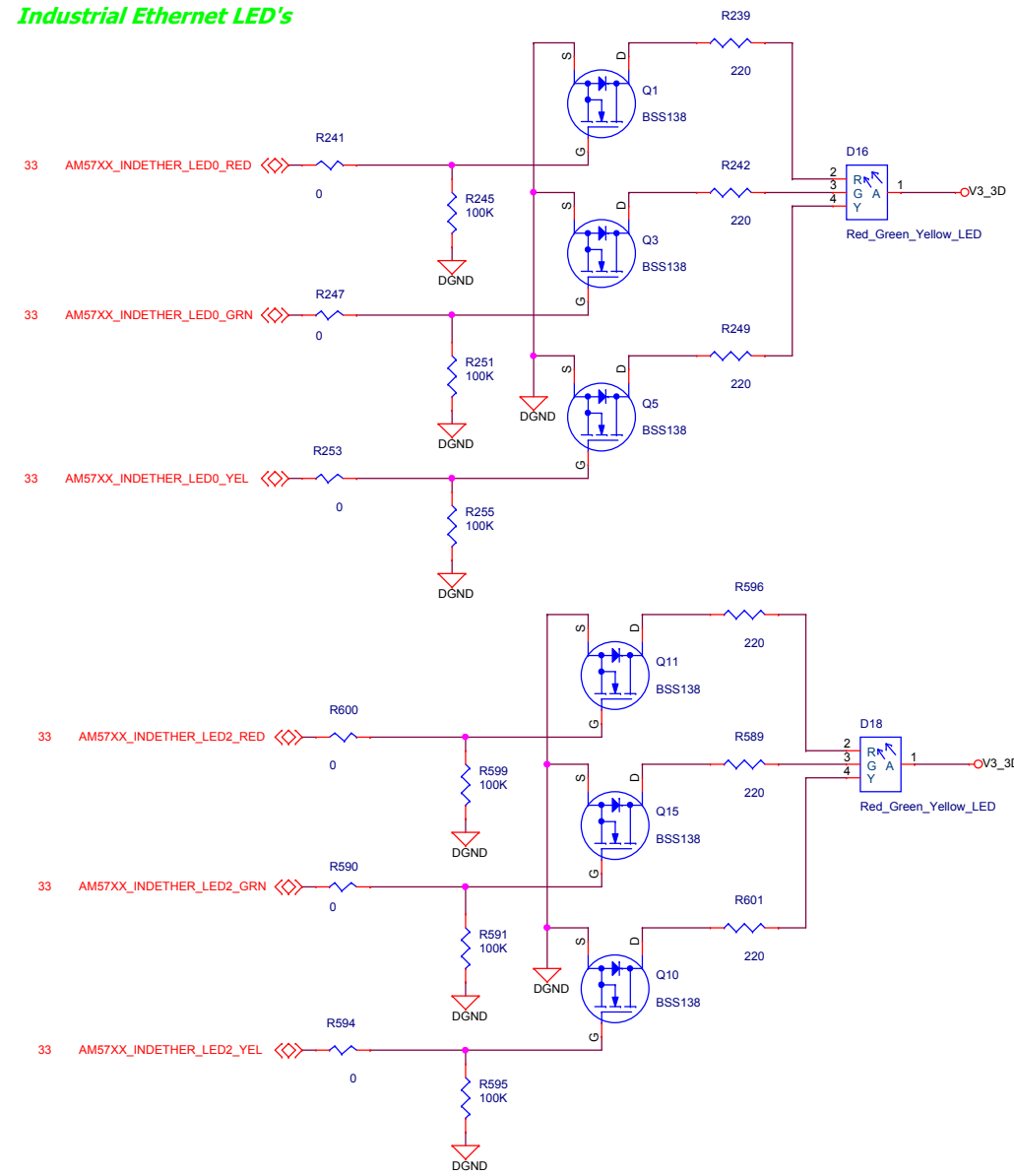
PR2_MII1_TXEN
PR2_MII1_RXDV
PRT_EDIO_DATA_OUT3
PRT_EDIO_DATA_OUT1

1
2
3
4
5

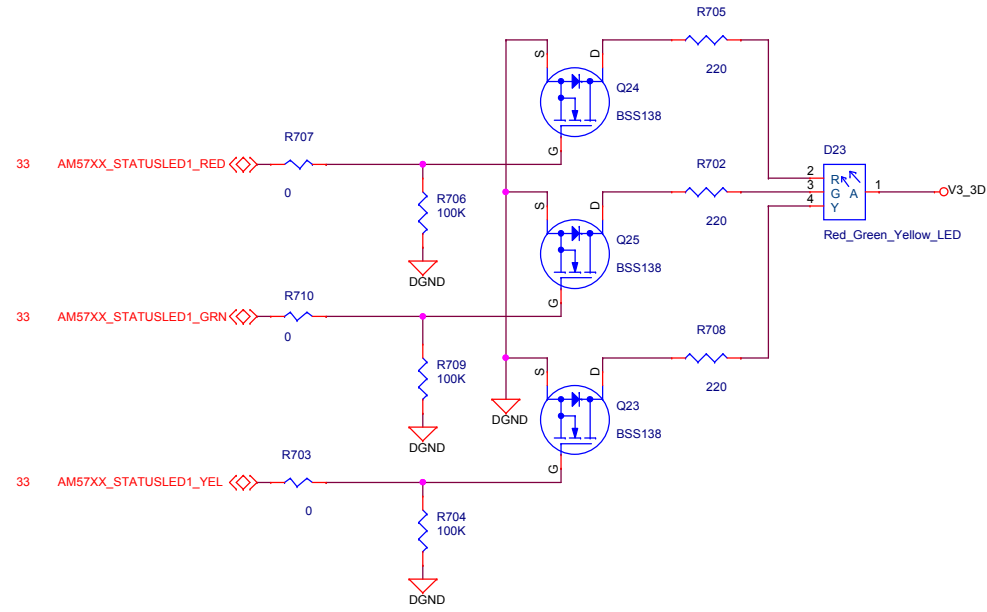
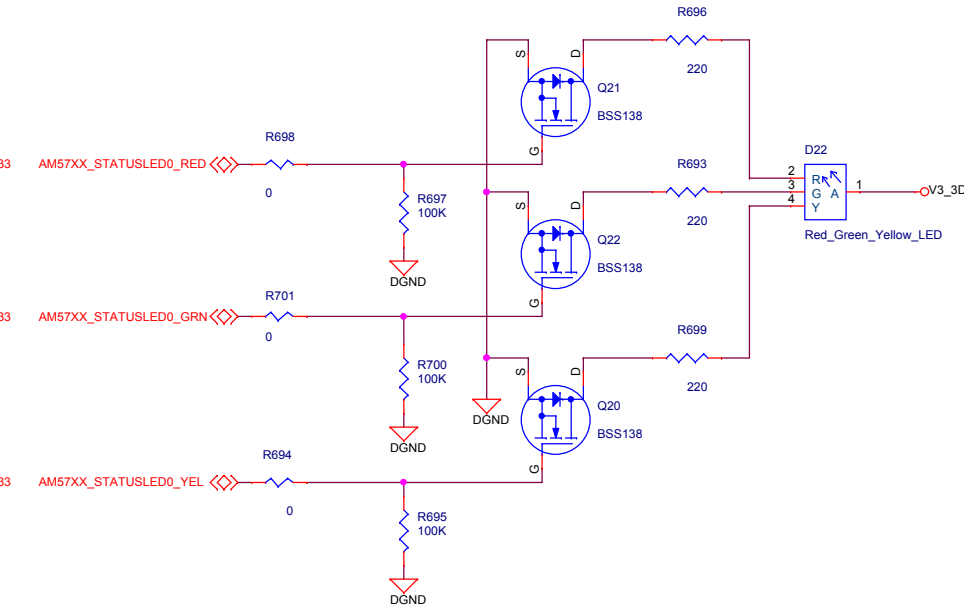


Catalog Processors	Texas Instruments, Inc.		
	Catalog Processors Business Unit 12500 TI Blvd Dallas, TX 75243		
	Final		
	AM572X Industrial EVM		
ICSS #2 MII1			
Size	Document Number	Modified By:	Rev
C	am572x_industrial_evm_3m0001.dsn	Tom Johnson	1.3B
Date:	Monday, April 04, 2016	Sheet: 14	of 33

Industrial Ethernet LED's



Status LED's



Catalog Processors	Texas Instruments, Inc.		
	Catalog Processors Business Unit 12500 TI Blvd Dallas, TX 75243		
	Final		
	AM572X Industrial EVM Industrial Ethernet LED's/Status LED's		
Size	Document Number	Modified By:	Rev
C	am572x_industrial_evm_3M0001.dsn	Tom Johnson	1.3B
Date:	Monday, April 04, 2016	Sheet: 15	of 33

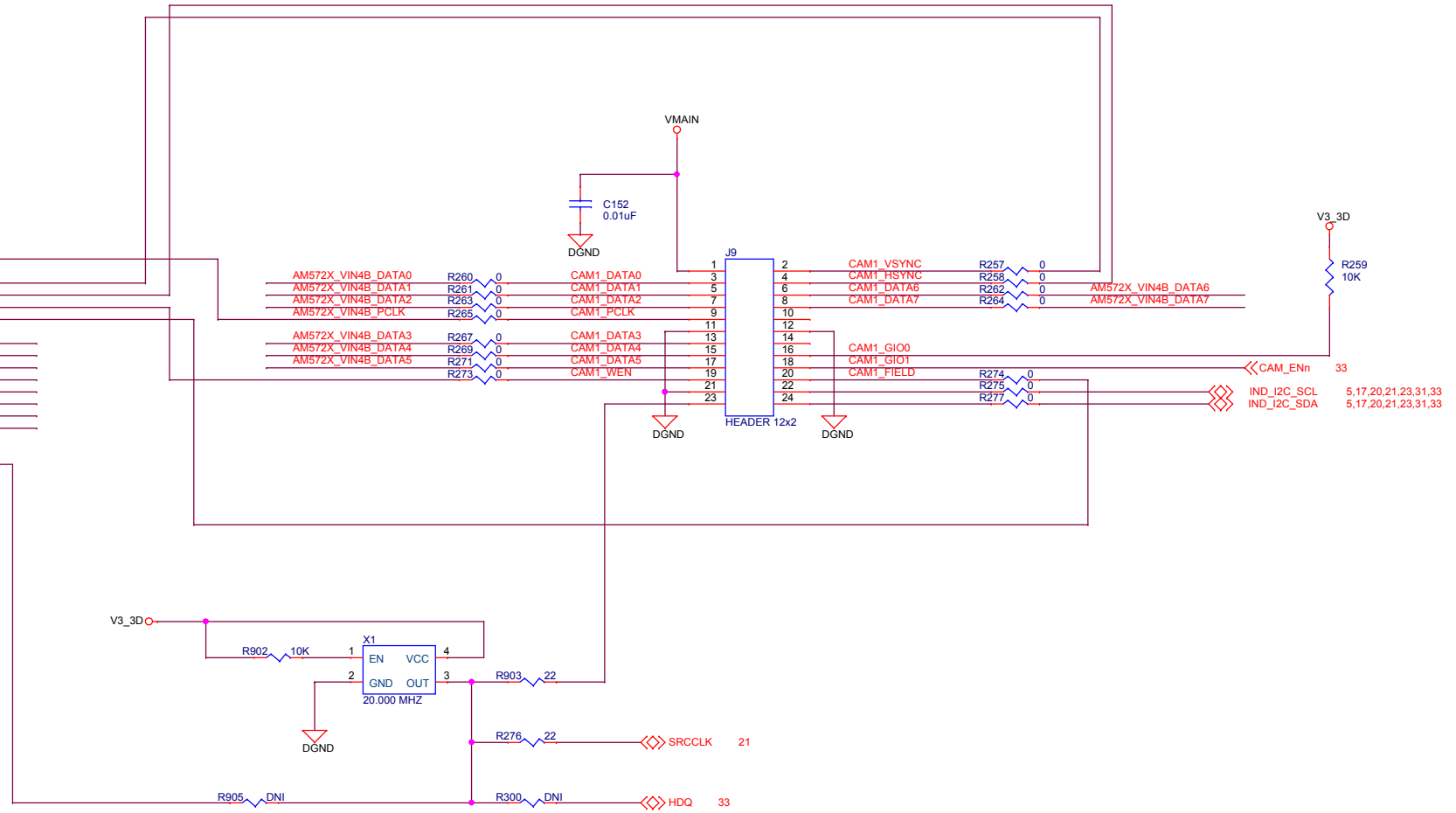
U1-24
**AM572X Camera #1
 Industrial EVM**
 AM5728BABCXEA

- GPMC_A10/VIN4B_CLK1
- GPMC_A9/VIN4B_VSYNC1
- GPMC_A8/VIN4B_HSYNC1
- GPMC_A11/VIN4B_DE1
- GPMC_A12/VIN4B_FLD1
- GPMC_A0/VIN4B_D0
- GPMC_A1/VIN4B_D1
- GPMC_A2/VIN4B_D2
- GPMC_A3/VIN4B_D3
- GPMC_A4/VIN4B_D4
- GPMC_A5/VIN4B_D5
- GPMC_A6/VIN4B_D6
- GPMC_A7/VIN4B_D7

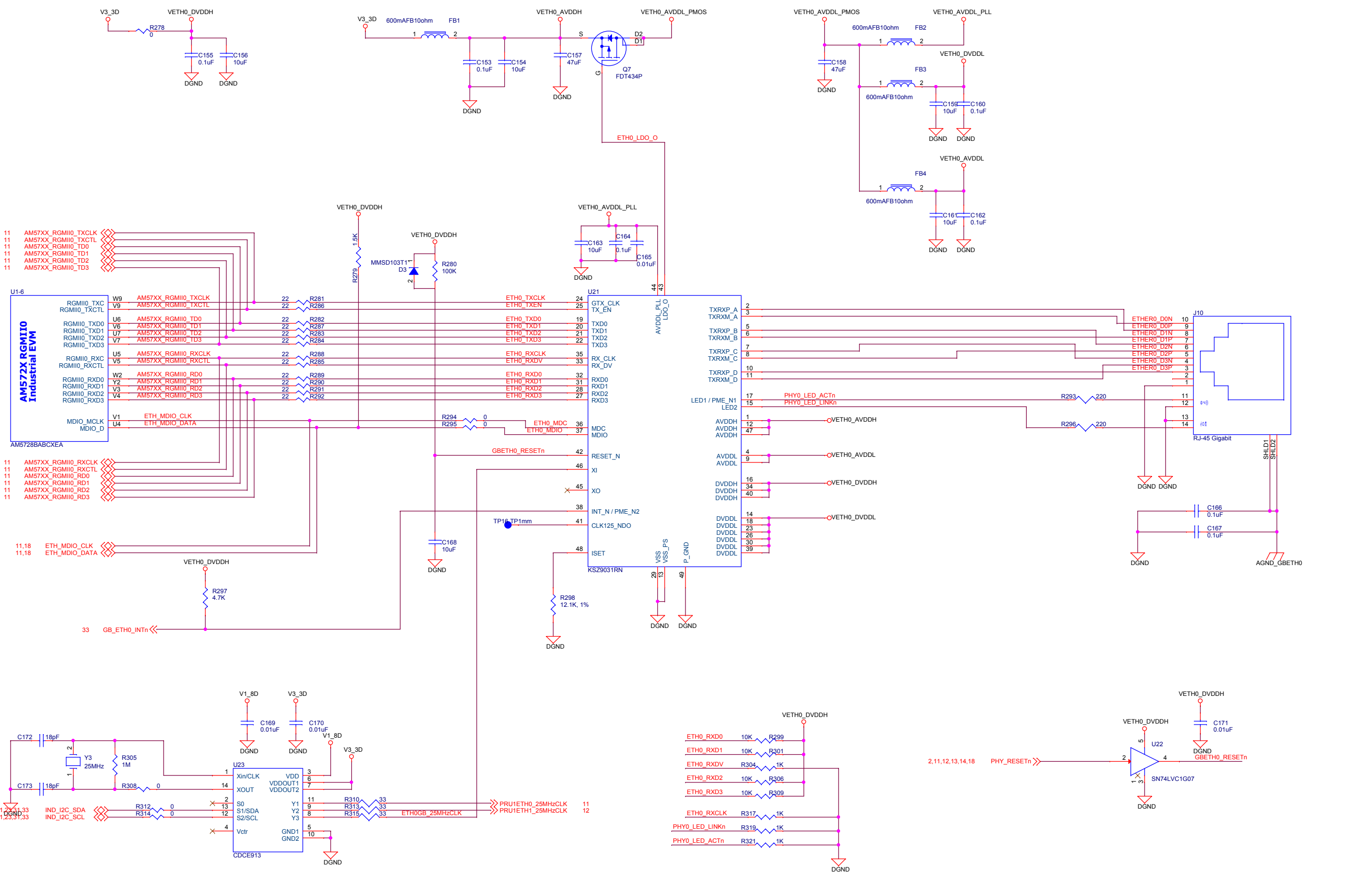
- N9 AM572X_VIN4B_PCLK
- R4 AM572X_VIN4B_VSYNC
- N7 AM572X_VIN4B_HSYNC
- P9 AM572X_VIN4B_DE
- F4 AM572X_VIN4B_FLD
- R6 AM572X_VIN4B_DATA0
- T9 AM572X_VIN4B_DATA1
- T6 AM572X_VIN4B_DATA2
- T7 AM572X_VIN4B_DATA3
- P6 AM572X_VIN4B_DATA4
- R9 AM572X_VIN4B_DATA5
- R5 AM572X_VIN4B_DATA6
- P5 AM572X_VIN4B_DATA7

XREF_CLK3/CLKOUT3

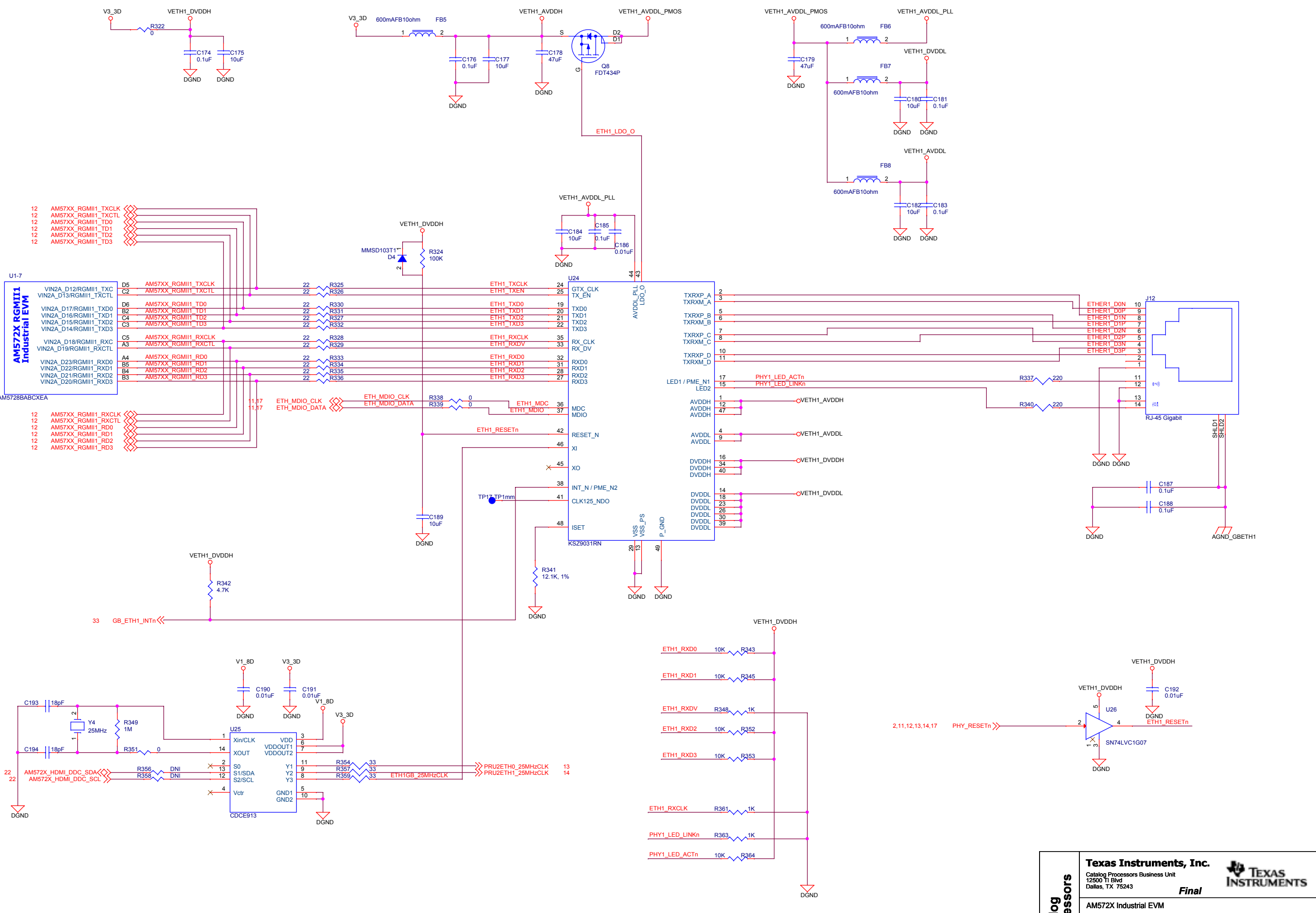
C23 AM57XX_CLKOUT3

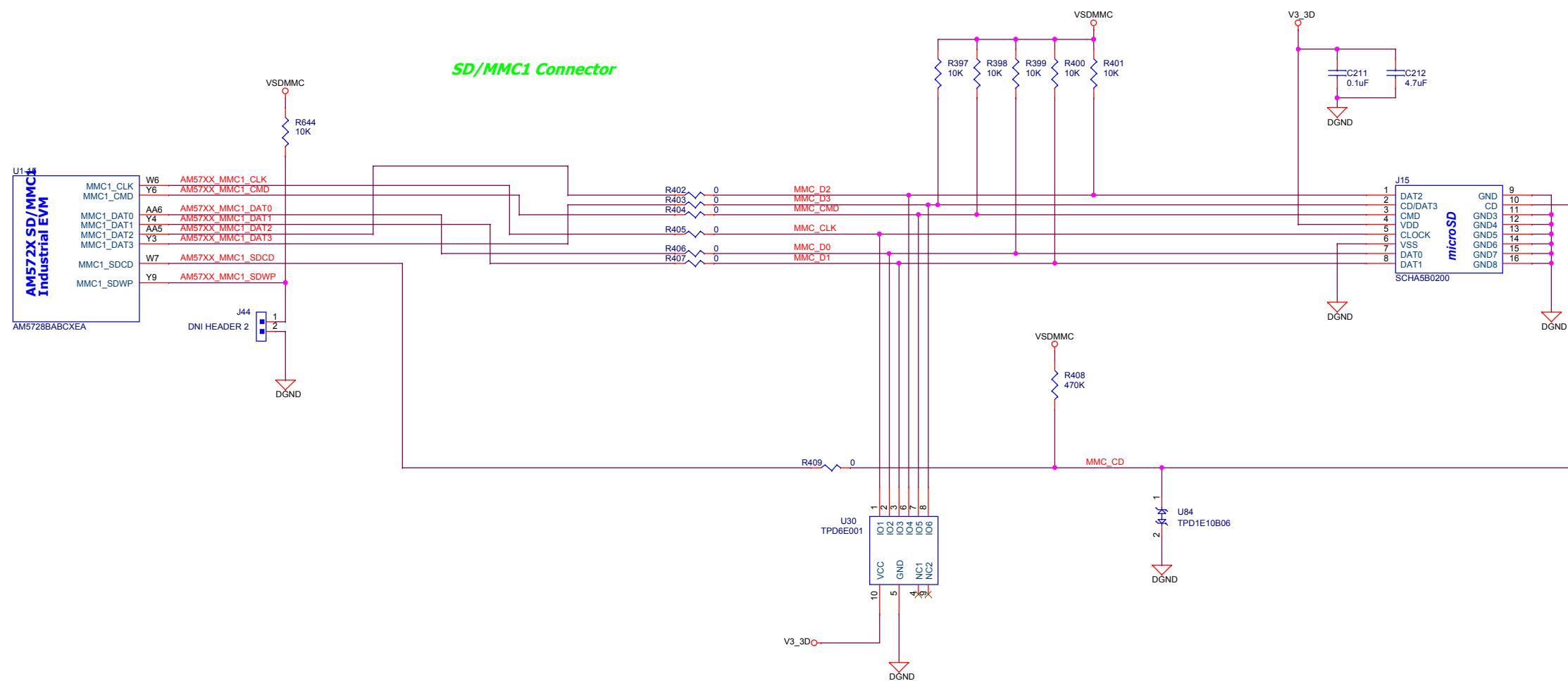


Catalog Processors	Texas Instruments, Inc.		
	Catalog Processors Business Unit 12500 TI Blvd Dallas, TX 75243		
	Final		
	TEXAS INSTRUMENTS		
AM572X Industrial EVM Camera #1			
Size	Document Number	Modified By:	Rev
C	am572x_industrial_evm_3M0001.dsn	Tom Johnson	1.3B
Date:	Monday, April 04, 2016	Sheet: 16	of 33



Catalog Processors	Texas Instruments, Inc.		
	Catalog Processors Business Unit 12500 TI Blvd Dallas, TX 75243		
	Final		
	AM572X Industrial EVM Gigabit Ethernet #0		
Size	Document Number	Modified By:	Rev
C	am572x_industrial_evm_3M0001.dsn	Tom Johnson	1.3B
Date:	Monday, April 04, 2016	Sheet: 17	of 33

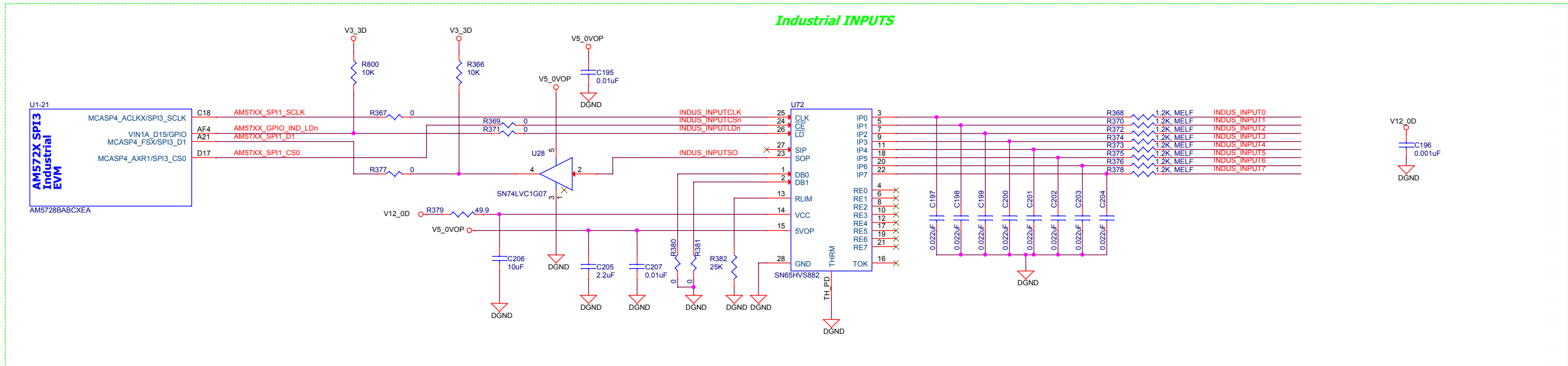




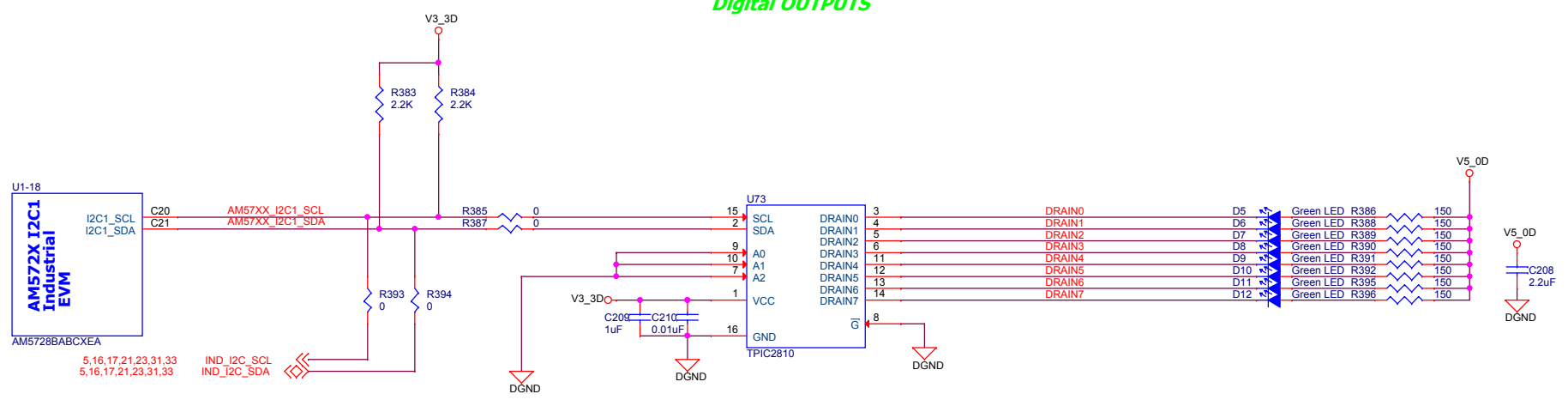
SD/MMC1 Connector

Catalog Processors	Texas Instruments, Inc. Catalog Processors Business Unit 12500 TI Blvd Dallas, TX 75243 Final				
	AM572X Industrial EVM SDMMC #1 Interface				
	Size	Document Number	Modified By:	Rev	
	C	am572x_industrial_evm_3M0001.dsn	Tom Johnson	1.3B	
Date:	Monday, April 04, 2016	Sheet: 19	of 33		

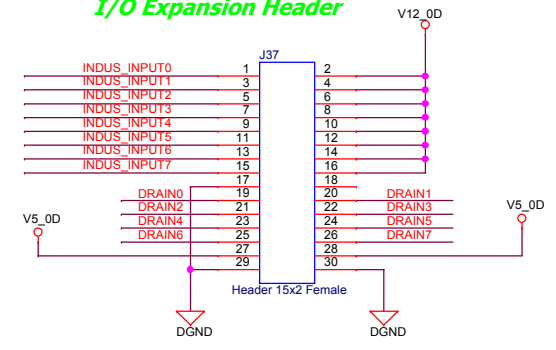
Industrial INPUTS



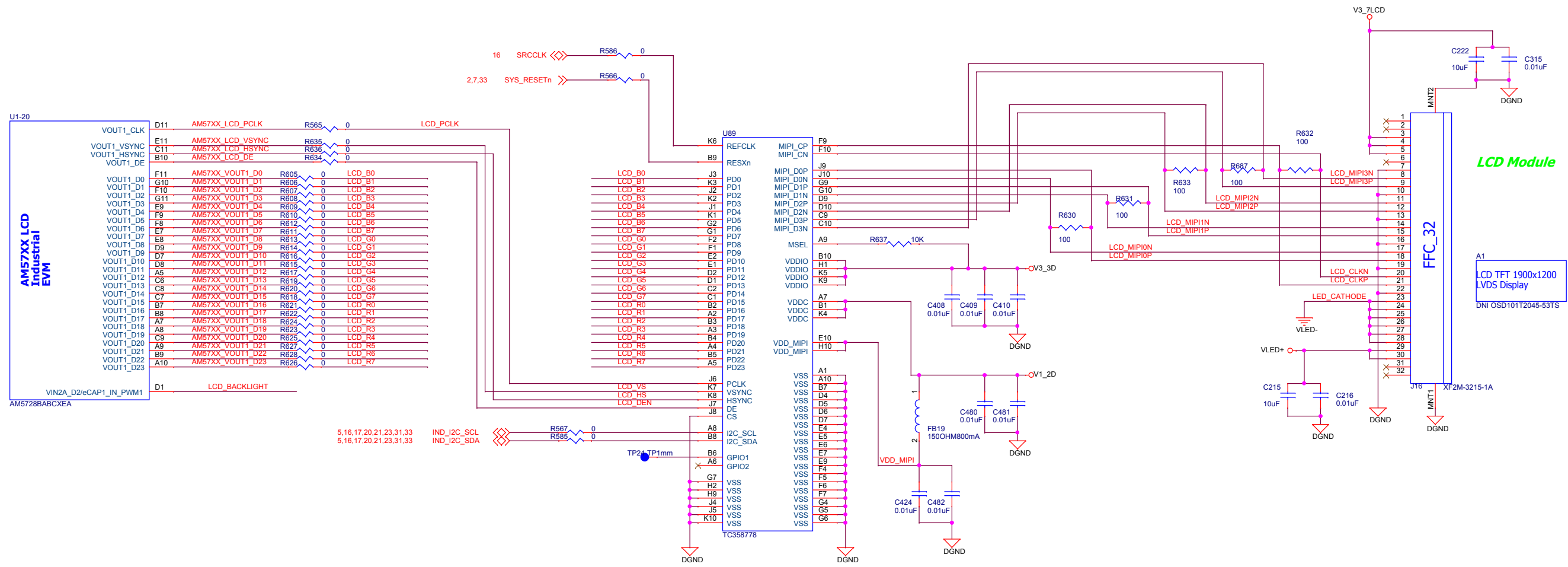
Digital OUTPUTS



I/O Expansion Header



Catalog Processors	Texas Instruments, Inc.		
	Catalog Processors Business Unit 12500 TI Blvd Dallas, TX 75243		
	Final		
	AM572X Industrial EVM Industrial I/O		
Size	Document Number	Modified By:	Rev
C	am572x_industrial_evm_3m0001.dsn	Tom Johnson	1.3B
Date:	Monday, April 04, 2016	Sheet: 20	of 33



U1-20

VOUT1_CLK	D11	AM57XX_LCD_PCLK	R565	0	LCD_PCLK
VOUT1_VSYNC	E11	AM57XX_LCD_VSYNC	R636	0	
VOUT1_HSYNC	C11	AM57XX_LCD_HSYNC	R636	0	
VOUT1_DE	B10	AM57XX_LCD_DE	R634	0	
VOUT1_D0	F11	AM57XX_VOUT1_D0	R605	0	LCD_B0
VOUT1_D1	G10	AM57XX_VOUT1_D1	R606	0	LCD_B1
VOUT1_D2	F10	AM57XX_VOUT1_D2	R607	0	LCD_B2
VOUT1_D3	G11	AM57XX_VOUT1_D3	R608	0	LCD_B3
VOUT1_D4	E9	AM57XX_VOUT1_D4	R609	0	LCD_B4
VOUT1_D5	F9	AM57XX_VOUT1_D5	R610	0	LCD_B5
VOUT1_D6	F8	AM57XX_VOUT1_D6	R612	0	LCD_B6
VOUT1_D7	E8	AM57XX_VOUT1_D7	R613	0	LCD_B7
VOUT1_D8	D9	AM57XX_VOUT1_D8	R614	0	LCD_G1
VOUT1_D9	D7	AM57XX_VOUT1_D9	R616	0	LCD_G2
VOUT1_D10	D8	AM57XX_VOUT1_D10	R615	0	LCD_G3
VOUT1_D11	A5	AM57XX_VOUT1_D11	R617	0	LCD_G4
VOUT1_D12	C8	AM57XX_VOUT1_D12	R619	0	LCD_G5
VOUT1_D13	C8	AM57XX_VOUT1_D13	R620	0	LCD_G6
VOUT1_D14	C7	AM57XX_VOUT1_D14	R618	0	LCD_G7
VOUT1_D15	B7	AM57XX_VOUT1_D15	R621	0	LCD_R0
VOUT1_D16	B8	AM57XX_VOUT1_D16	R622	0	LCD_R1
VOUT1_D17	A7	AM57XX_VOUT1_D17	R624	0	LCD_R2
VOUT1_D18	A8	AM57XX_VOUT1_D18	R623	0	LCD_R3
VOUT1_D19	C9	AM57XX_VOUT1_D19	R625	0	LCD_R4
VOUT1_D20	A9	AM57XX_VOUT1_D20	R627	0	LCD_R5
VOUT1_D21	B9	AM57XX_VOUT1_D21	R628	0	LCD_R6
VOUT1_D22	A10	AM57XX_VOUT1_D22	R626	0	LCD_R7
VOUT1_D23					

VIN2A_D2/eCAP1_IN_PWM1
AM5728ABCXEA

5,16,17,20,21,23,31,33	IND_I2C_SCL	R567	0	
5,16,17,20,21,23,31,33	IND_I2C_SDA	R585	0	

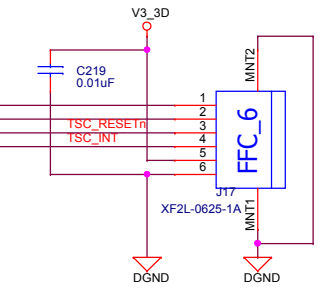
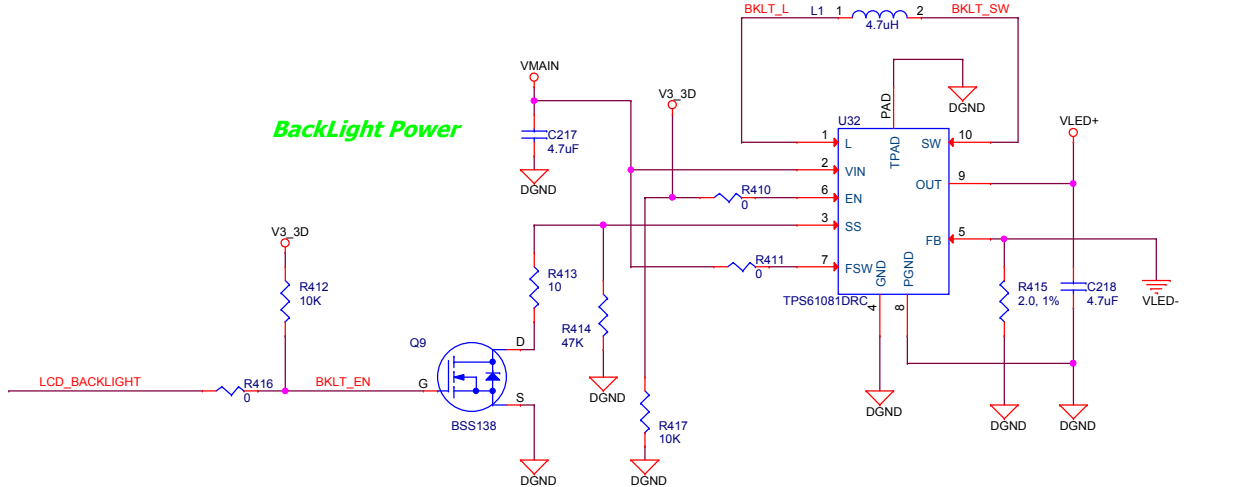
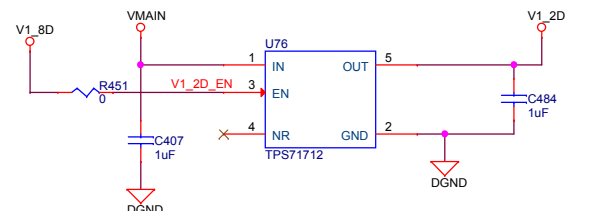
AM57XX_VOUT1_D5	R910	DNI	PR2_EDC_LATCH0	33
AM57XX_VOUT1_D6	R911	DNI	PR2_EDC_LATCH1	33

AM57XX_VOUT1_D7	R908	DNI	PR2_EDC_SYNC0	33
AM57XX_VOUT1_D8	R909	DNI	PR2_EDC_SYNC1	33

AM57XX_VOUT1_D13	R906	DNI	PR2_UART0_RXD	33
AM57XX_VOUT1_D14	R907	DNI	PR2_UART0_TXD	33

AM57XX_VOUT1_D2		AM57XX_VOUT1_D2	23
AM57XX_VOUT1_D3		AM57XX_VOUT1_D3	23
AM57XX_VOUT1_D4		AM57XX_VOUT1_D4	23
AM57XX_VOUT1_D5		AM57XX_VOUT1_D5	23
AM57XX_VOUT1_D6		AM57XX_VOUT1_D6	23
AM57XX_VOUT1_D7		AM57XX_VOUT1_D7	23
AM57XX_VOUT1_D8		AM57XX_VOUT1_D8	23
AM57XX_VOUT1_D9		AM57XX_VOUT1_D9	23
AM57XX_VOUT1_D10		AM57XX_VOUT1_D10	23
AM57XX_VOUT1_D11		AM57XX_VOUT1_D11	23
AM57XX_VOUT1_D12		AM57XX_VOUT1_D12	23
AM57XX_VOUT1_D13		AM57XX_VOUT1_D13	23
AM57XX_VOUT1_D14		AM57XX_VOUT1_D14	23
AM57XX_VOUT1_D15		AM57XX_VOUT1_D15	23
AM57XX_VOUT1_D16		AM57XX_VOUT1_D16	23
AM57XX_VOUT1_D17		AM57XX_VOUT1_D17	23
AM57XX_VOUT1_D18		AM57XX_VOUT1_D18	23
AM57XX_VOUT1_D19		AM57XX_VOUT1_D19	23
AM57XX_VOUT1_D20		AM57XX_VOUT1_D20	23
AM57XX_VOUT1_D21		AM57XX_VOUT1_D21	23
AM57XX_VOUT1_D22		AM57XX_VOUT1_D22	23
AM57XX_VOUT1_D23		AM57XX_VOUT1_D23	23

5,16,17,20,21,23,31,33	IND_I2C_SDA	R792	0	
5,16,17,20,21,23,31,33	IND_I2C_SCL			
33	GPIO_TOUCH_RESETn	R418	0	
33	TOUCH_INT			



Catalog Processors

Texas Instruments, Inc.
Catalog Processors Business Unit
12500 TI Blvd
Dallas, TX 75243

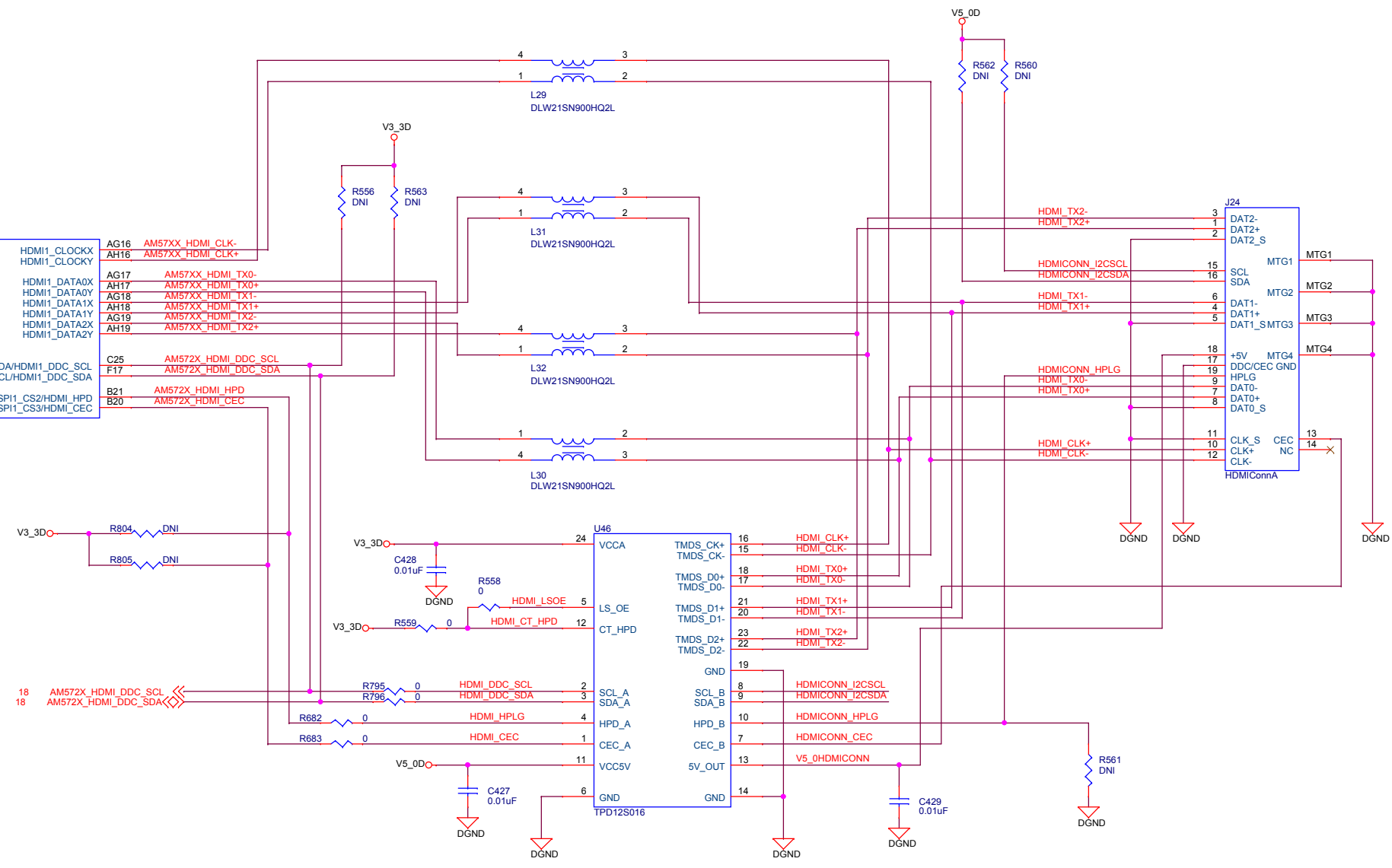
Final

AM572X Industrial EVM
LCD & Touchscreen

Size	Document Number	Modified By:	Rev
C	am572x_industrial_evm_3m0001.dsn	Tom Johnson	1.3B

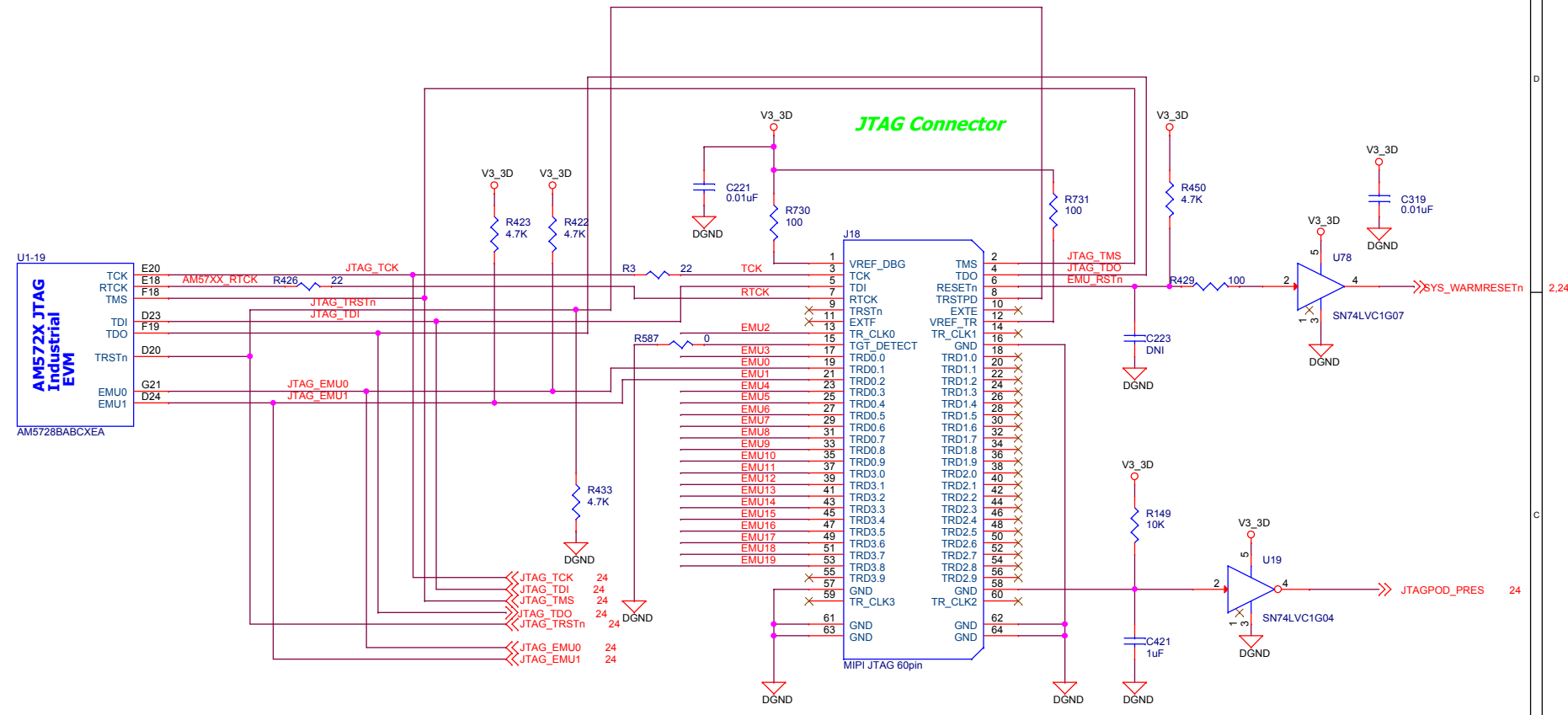
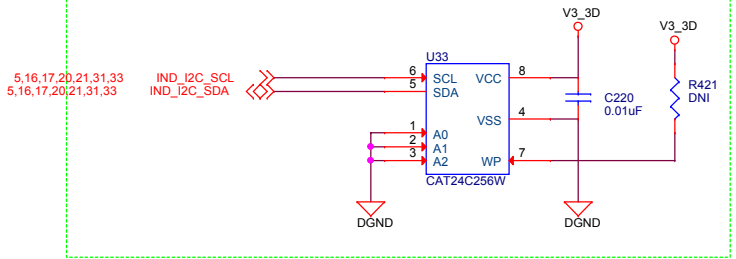
Date: Monday, April 04, 2016 Sheet: 21 of 33

U1-8
AM572X HDMI Industrial EVM
 AM5728BABCXEA



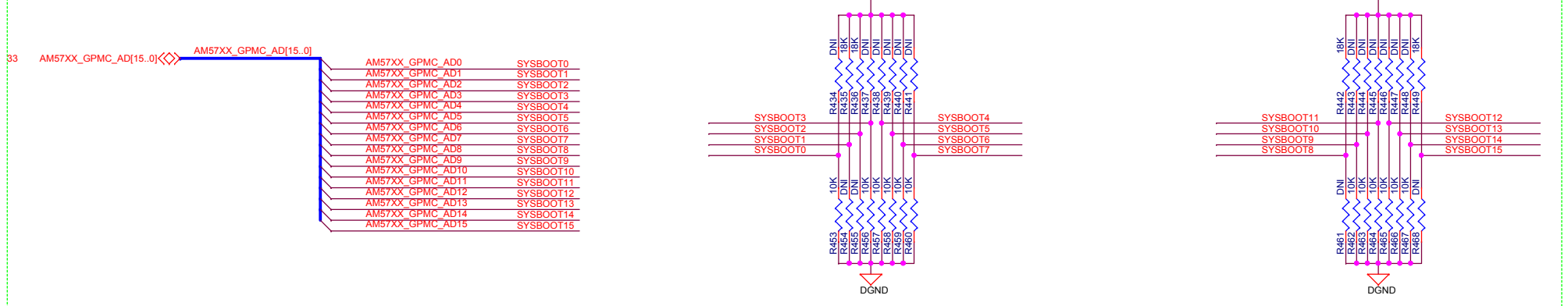
Catalog Processors	Texas Instruments, Inc.		
	Catalog Processors Business Unit 12500 TI Blvd Dallas, TX 75243		
	Final		
	AM572X Industrial EVM		
HDMI			
Size	Document Number	Modified By:	Rev
C	am572x_industrial_evm_3M0001.dsn	Tom Johnson	1.3B
Date:	Monday, April 04, 2016	Sheet: 22	of 33

ID Memory

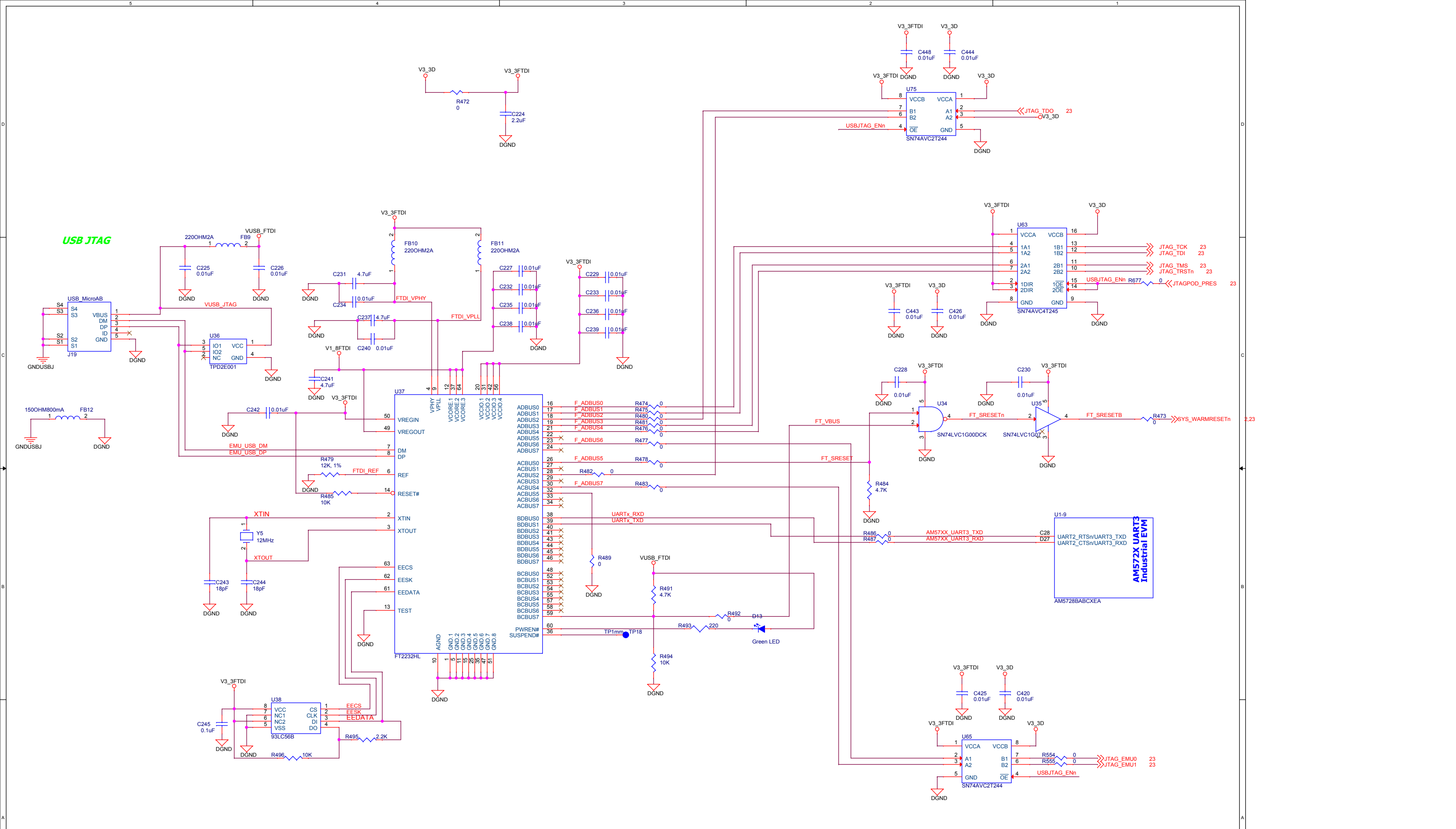


21	AM57XX_VOUT1_D2	R711	DNI	EMU2
21	AM57XX_VOUT1_D10	R712	DNI	EMU3
21	AM57XX_VOUT1_D18	R713	DNI	EMU4
21	AM57XX_VOUT1_D3	R714	DNI	EMU5
21	AM57XX_VOUT1_D4	R715	DNI	EMU6
21	AM57XX_VOUT1_D5	R716	DNI	EMU7
21	AM57XX_VOUT1_D6	R717	DNI	EMU8
21	AM57XX_VOUT1_D7	R718	DNI	EMU9
21	AM57XX_VOUT1_D11	R719	DNI	EMU10
21	AM57XX_VOUT1_D12	R720	DNI	EMU11
21	AM57XX_VOUT1_D13	R721	DNI	EMU12
21	AM57XX_VOUT1_D14	R722	DNI	EMU13
21	AM57XX_VOUT1_D15	R723	DNI	EMU14
21	AM57XX_VOUT1_D19	R724	DNI	EMU15
21	AM57XX_VOUT1_D20	R725	DNI	EMU16
21	AM57XX_VOUT1_D21	R726	DNI	EMU17
21	AM57XX_VOUT1_D22	R727	DNI	EMU18
21	AM57XX_VOUT1_D23	R728	DNI	EMU19

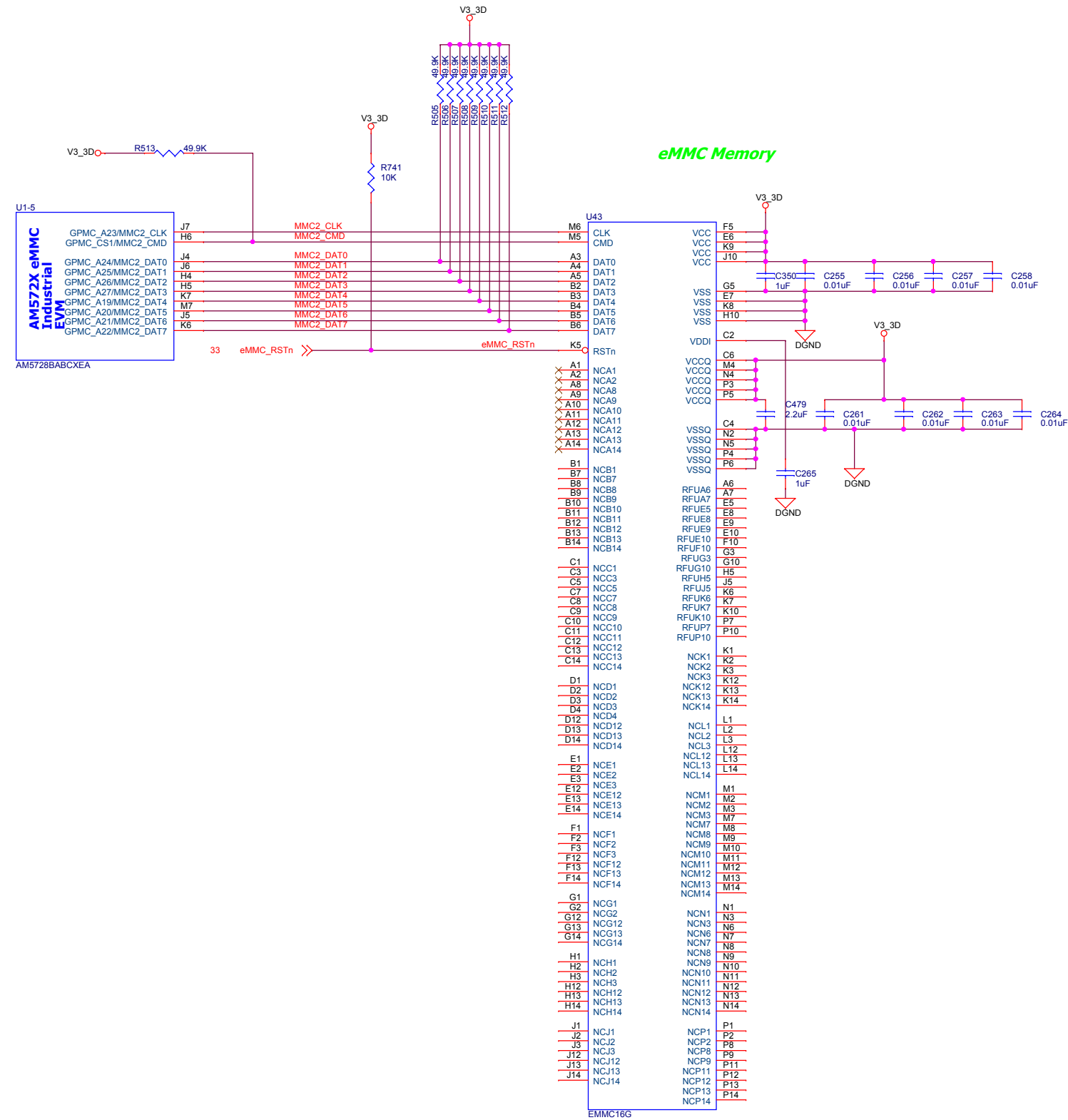
Boot Configuration

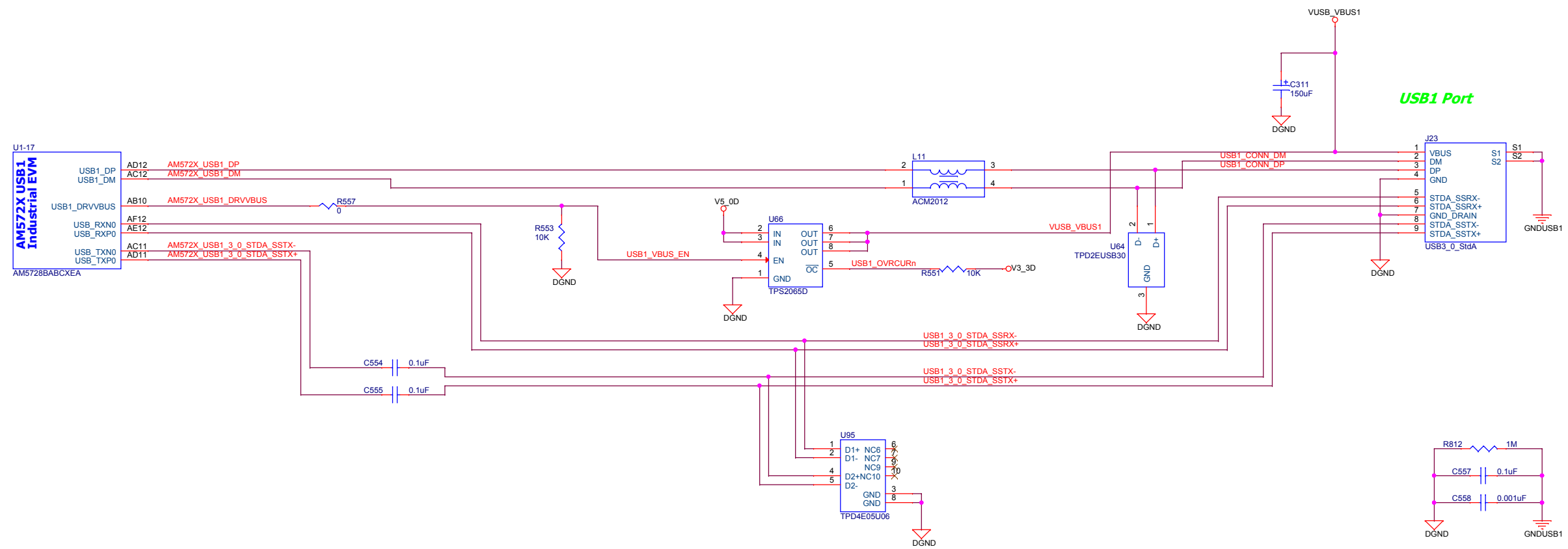


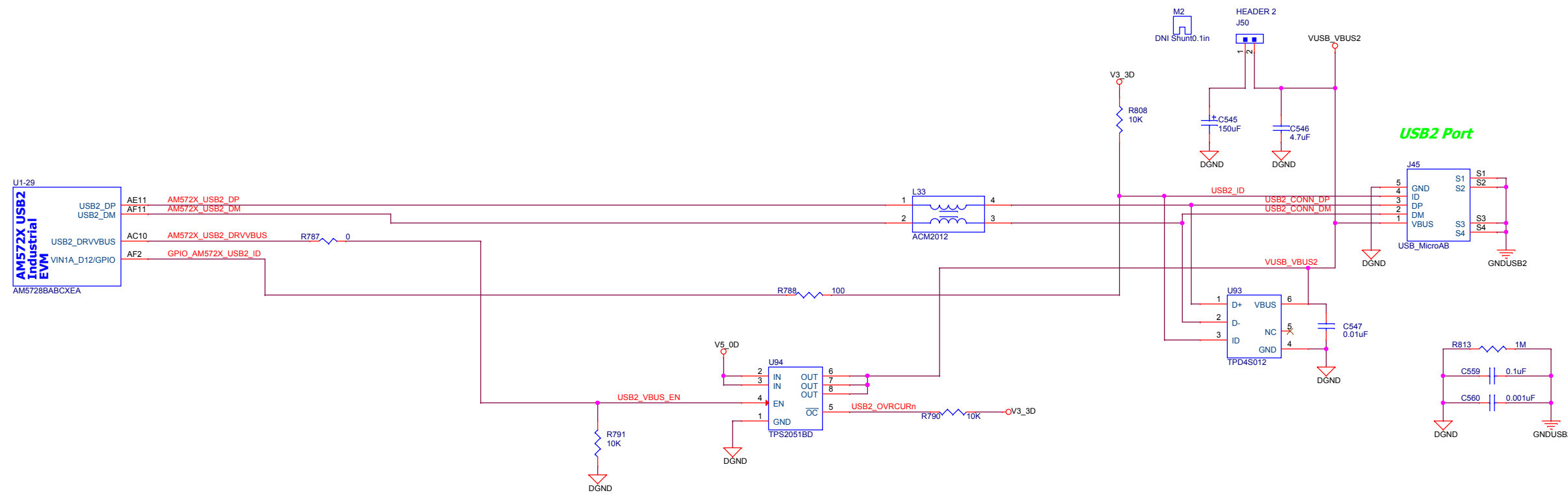
Catalog Processors	Texas Instruments, Inc.		
	Catalog Processors Business Unit 12500 TI Blvd Dallas, TX 75243		
	Final		
	AM572X Industrial EVM Debug/Configuration		
	Size	Document Number	Modified By:
C	am572x_industrial_evm_3m0001.dsn	Tom Johnson	1.3B
Date:	Monday, April 04, 2016		Sheet: 23 of 33



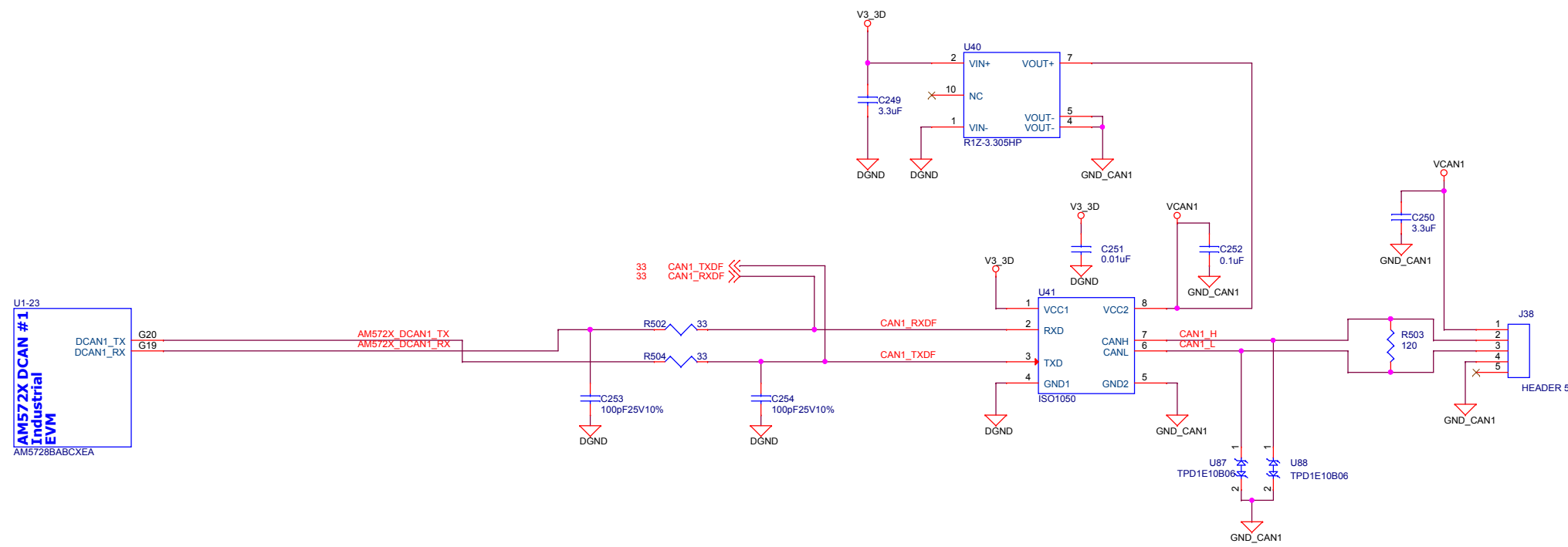
Catalog Processors	Texas Instruments, Inc.		
	Catalog Processors Business Unit 12500 TI Blvd Dallas, TX 75243		
	Final		
	AM572X Industrial EVM		
USB JTAG			
Size	Document Number	Modified By:	Rev
C	am572x_industrial_evm_3M0001.dsn	Tom Johnson	1.3B
Date:	Monday, April 04, 2016	Sheet: 24	of 33



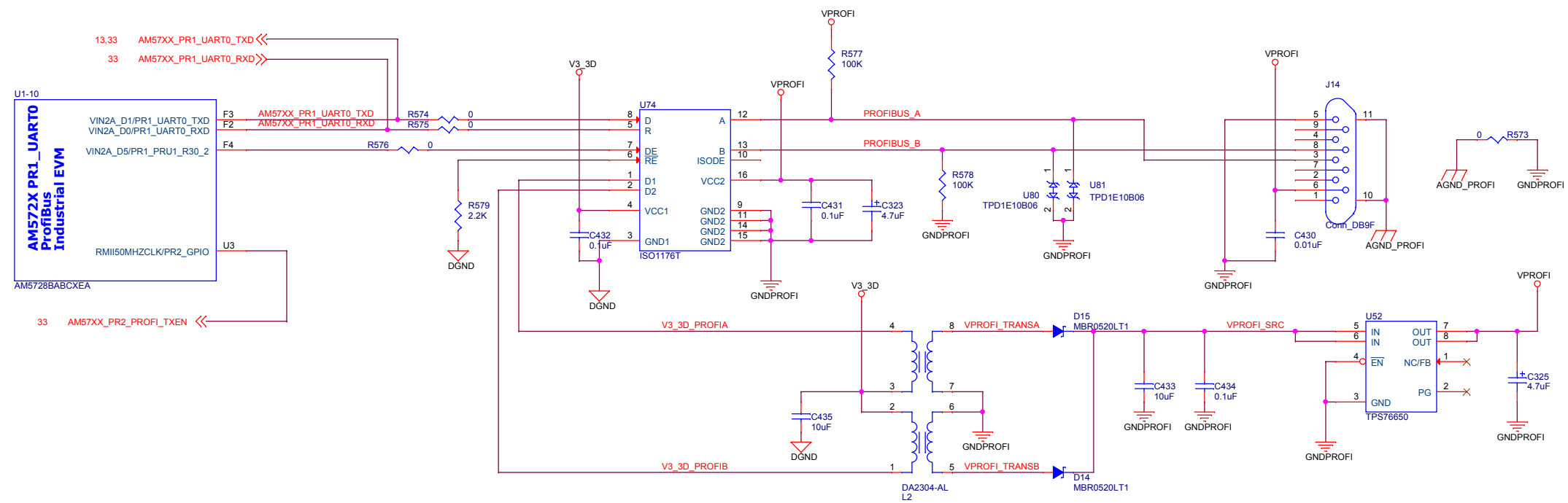


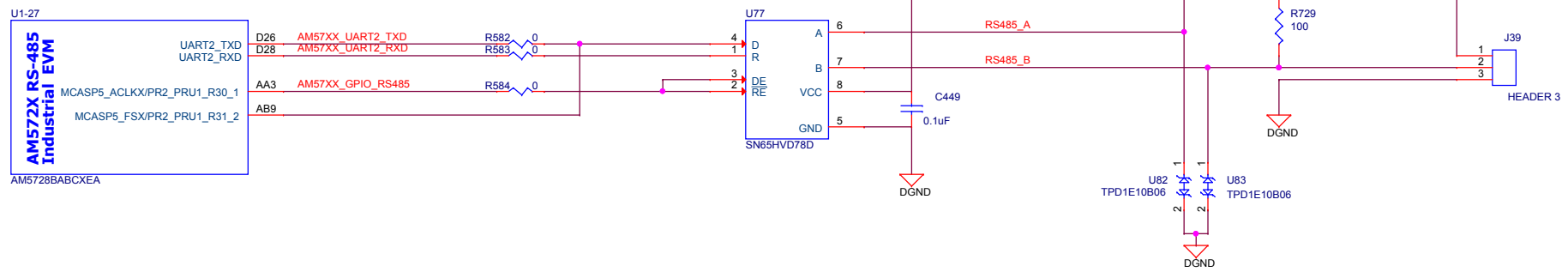


Catalog Processors	Texas Instruments, Inc.		
	Catalog Processors Business Unit 12500 TI Blvd Dallas, TX 75243		
	Final		
	AM572X Industrial EVM		
	USB2 Port		
Size	Document Number	Modified By:	Rev
C	am572x_industrial_evm_3M0001.dsn	Tom Johnson	1.3B
Date:	Monday, April 04, 2016	Sheet: 27	of 33

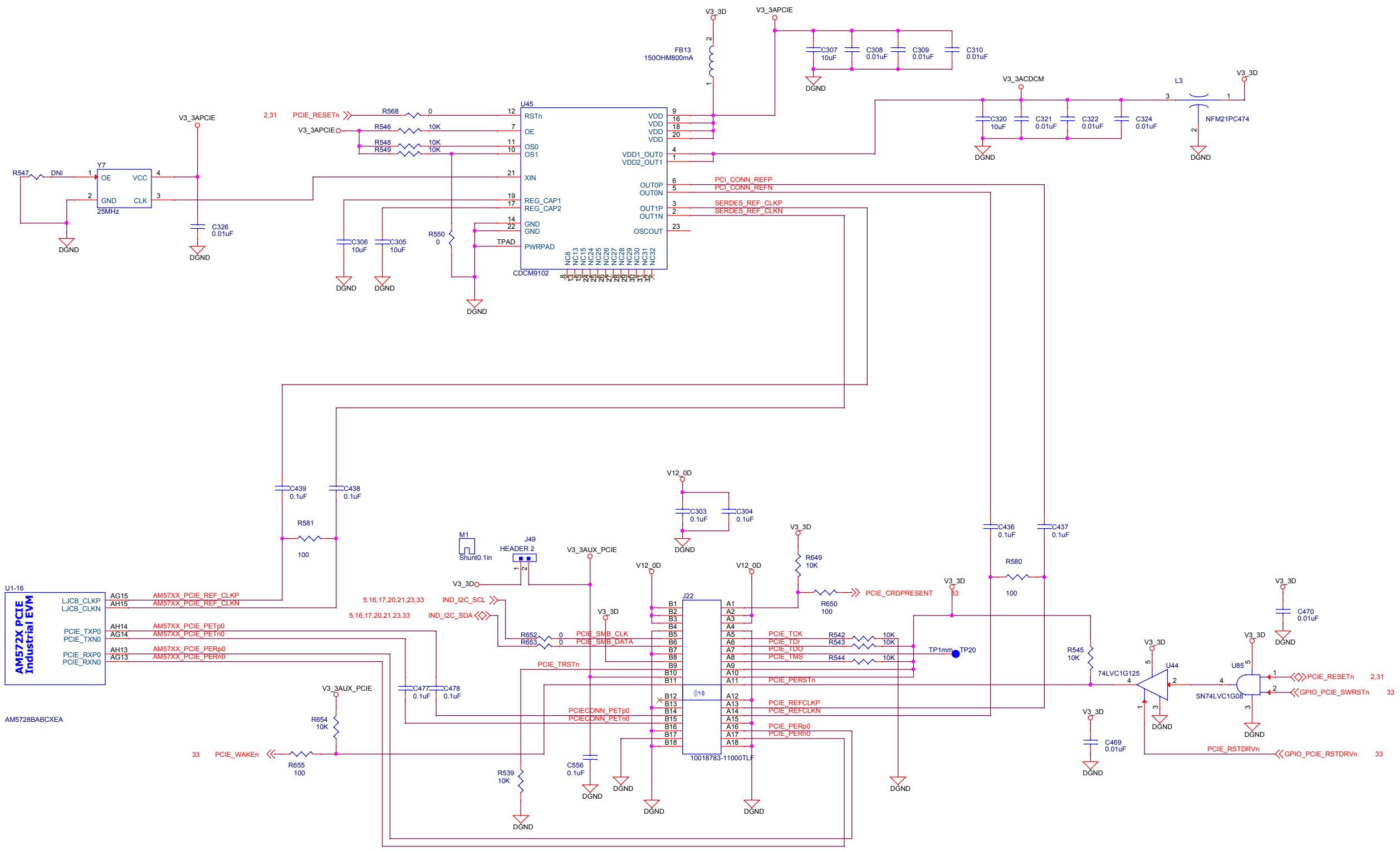


Catalog Processors	Texas Instruments, Inc.		
	Catalog Processors Business Unit 12500 TI Blvd Dallas, TX 75243		
	Final		
	AM572X Industrial EVM DCAN #1		
	Size	Document Number	Modified By:
C	am572x_industrial_evm_3M0001.dsn	Tom Johnson	1.3B
Date:	Monday, April 04, 2016	Sheet: 28	of 33

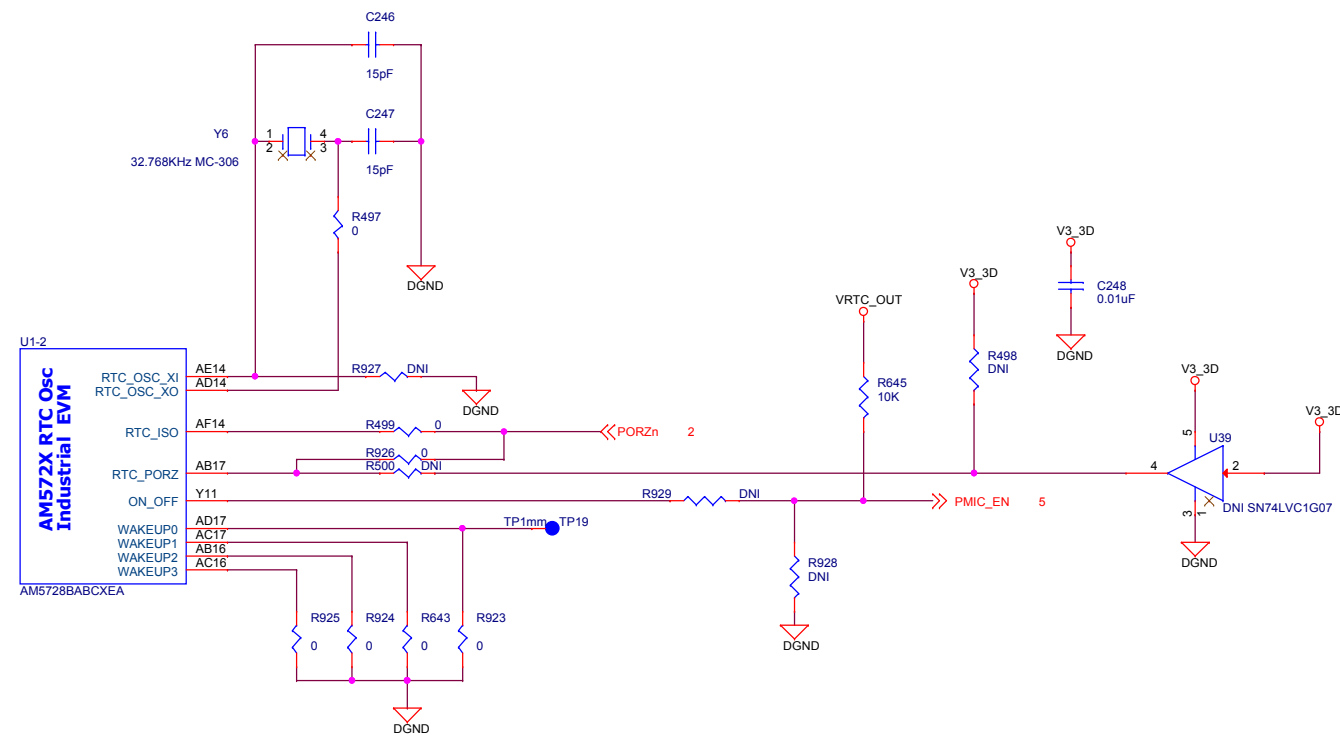




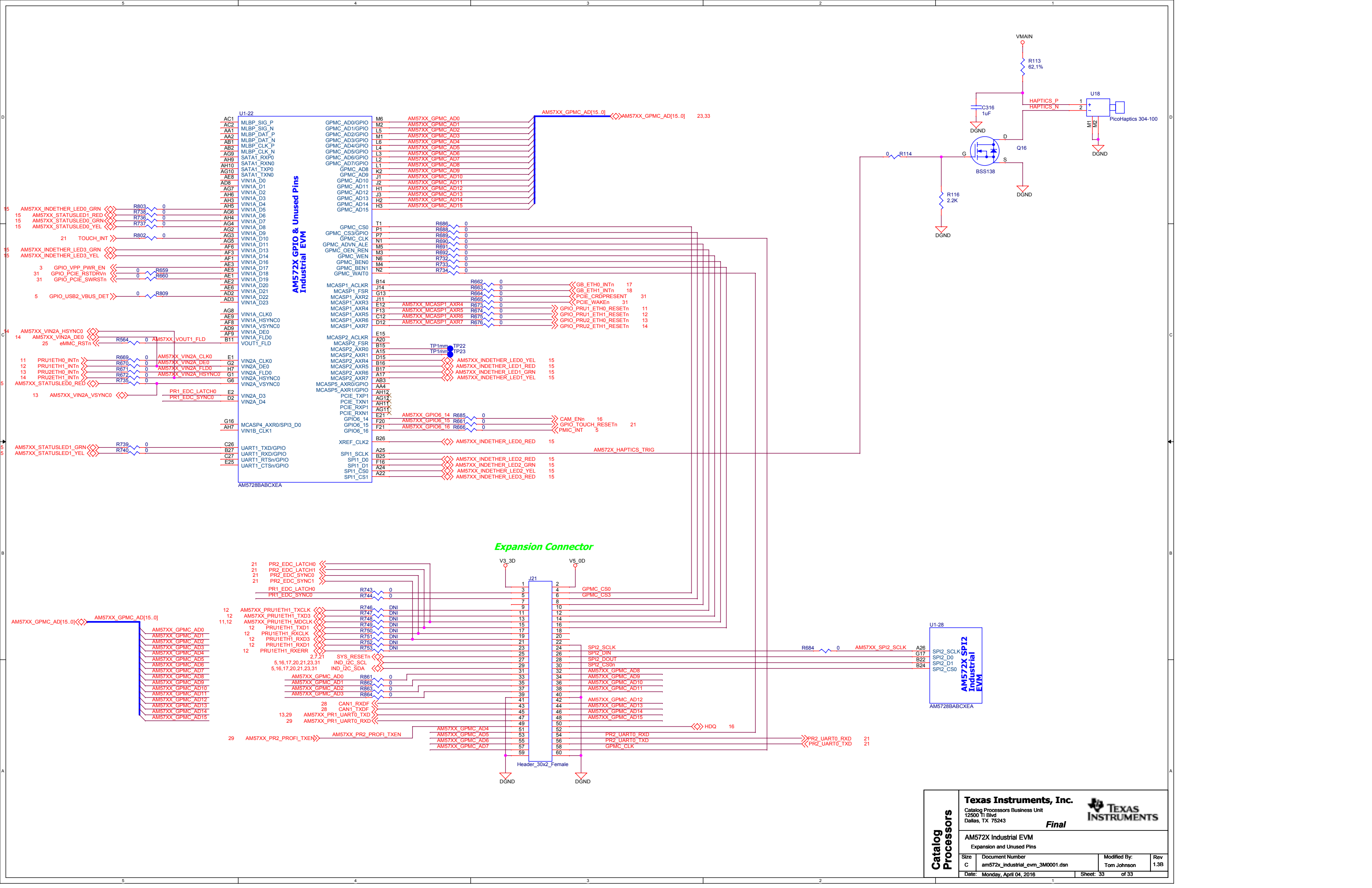
Catalog Processors	Texas Instruments, Inc.		
	Catalog Processors Business Unit 12500 TI Blvd Dallas, TX 75243		
	Final		
	TEXAS INSTRUMENTS		
AM572X Industrial EVM			
RS-485			
Size	Document Number	Modified By:	Rev
C	am572x_industrial_evm_3M0001.dsn	Tom Johnson	1.3B
Date:	Monday, April 04, 2016	Sheet: 30	of 33



Catalog Processors	Texas Instruments, Inc.		
	Catalog Processors Business Unit 12500 TI Blvd Dallas, TX 75243		
	Final		
	TEXAS INSTRUMENTS		
AM572X Industrial EVM			
PCIe Connector			
Size	Document Number	Modified By:	Rev
C	am572x_industrial_evm_3M0001.dsn	Tom Johnson	1.3B
Date:	Monday, April 04, 2016	Sheet: 31	of 33



Catalog Processors	Texas Instruments, Inc.			
	Catalog Processors Business Unit 12500 TI Blvd Dallas, TX 75243			
	Final			
	AM572X Industrial EVM RTC			
Size	Document Number	Modified By:	Rev	
C	am572x_industrial_ewm_3M0001.dsn	Tom Johnson	1.3B	
Date:	Monday, April 04, 2016	Sheet: 32	of 33	



AM572X GPIO & Unused Pins Industrial EVM

Expansion Connector

AM572X SPI2 Industrial EVM

Catalog Processors	Texas Instruments, Inc.		
	Catalog Processors Business Unit 12500 TI Blvd Dallas, TX 75243		
	Final		
	TEXAS INSTRUMENTS		
AM572X Industrial EVM			
Expansion and Unused Pins			
Size	Document Number	Modified By:	Rev
C	am572x_industrial_ewm_3M0001.dsn	Tom Johnson	1.3B
Date:	Monday, April 04, 2016	Sheet: 33	of 33

IMPORTANT NOTICE FOR TI REFERENCE DESIGNS

Texas Instruments Incorporated ("TI") reference designs are solely intended to assist designers ("Designer(s)") who are developing systems that incorporate TI products. TI has not conducted any testing other than that specifically described in the published documentation for a particular reference design.

TI's provision of reference designs and any other technical, applications or design advice, quality characterization, reliability data or other information or services does not expand or otherwise alter TI's applicable published warranties or warranty disclaimers for TI products, and no additional obligations or liabilities arise from TI providing such reference designs or other items.

TI reserves the right to make corrections, enhancements, improvements and other changes to its reference designs and other items.

Designer understands and agrees that Designer remains responsible for using its independent analysis, evaluation and judgment in designing Designer's systems and products, and has full and exclusive responsibility to assure the safety of its products and compliance of its products (and of all TI products used in or for such Designer's products) with all applicable regulations, laws and other applicable requirements. Designer represents that, with respect to its applications, it has all the necessary expertise to create and implement safeguards that (1) anticipate dangerous consequences of failures, (2) monitor failures and their consequences, and (3) lessen the likelihood of failures that might cause harm and take appropriate actions. Designer agrees that prior to using or distributing any systems that include TI products, Designer will thoroughly test such systems and the functionality of such TI products as used in such systems. Designer may not use any TI products in life-critical medical equipment unless authorized officers of the parties have executed a special contract specifically governing such use. Life-critical medical equipment is medical equipment where failure of such equipment would cause serious bodily injury or death (e.g., life support, pacemakers, defibrillators, heart pumps, neurostimulators, and implantables). Such equipment includes, without limitation, all medical devices identified by the U.S. Food and Drug Administration as Class III devices and equivalent classifications outside the U.S.

Designers are authorized to use, copy and modify any individual TI reference design only in connection with the development of end products that include the TI product(s) identified in that reference design. HOWEVER, NO OTHER LICENSE, EXPRESS OR IMPLIED, BY ESTOPPEL OR OTHERWISE TO ANY OTHER TI INTELLECTUAL PROPERTY RIGHT, AND NO LICENSE TO ANY TECHNOLOGY OR INTELLECTUAL PROPERTY RIGHT OF TI OR ANY THIRD PARTY IS GRANTED HEREIN, including but not limited to any patent right, copyright, mask work right, or other intellectual property right relating to any combination, machine, or process in which TI products or services are used. Information published by TI regarding third-party products or services does not constitute a license to use such products or services, or a warranty or endorsement thereof. Use of the reference design or other items described above may require a license from a third party under the patents or other intellectual property of the third party, or a license from TI under the patents or other intellectual property of TI.

TI REFERENCE DESIGNS AND OTHER ITEMS DESCRIBED ABOVE ARE PROVIDED "AS IS" AND WITH ALL FAULTS. TI DISCLAIMS ALL OTHER WARRANTIES OR REPRESENTATIONS, EXPRESS OR IMPLIED, REGARDING THE REFERENCE DESIGNS OR USE OF THE REFERENCE DESIGNS, INCLUDING BUT NOT LIMITED TO ACCURACY OR COMPLETENESS, TITLE, ANY EPIDEMIC FAILURE WARRANTY AND ANY IMPLIED WARRANTIES OF MERCHANTABILITY, FITNESS FOR A PARTICULAR PURPOSE, AND NON-INFRINGEMENT OF ANY THIRD PARTY INTELLECTUAL PROPERTY RIGHTS.

TI SHALL NOT BE LIABLE FOR AND SHALL NOT DEFEND OR INDEMNIFY DESIGNERS AGAINST ANY CLAIM, INCLUDING BUT NOT LIMITED TO ANY INFRINGEMENT CLAIM THAT RELATES TO OR IS BASED ON ANY COMBINATION OF PRODUCTS AS DESCRIBED IN A TI REFERENCE DESIGN OR OTHERWISE. IN NO EVENT SHALL TI BE LIABLE FOR ANY ACTUAL, DIRECT, SPECIAL, COLLATERAL, INDIRECT, PUNITIVE, INCIDENTAL, CONSEQUENTIAL OR EXEMPLARY DAMAGES IN CONNECTION WITH OR ARISING OUT OF THE REFERENCE DESIGNS OR USE OF THE REFERENCE DESIGNS, AND REGARDLESS OF WHETHER TI HAS BEEN ADVISED OF THE POSSIBILITY OF SUCH DAMAGES.

TI's standard terms of sale for semiconductor products (<http://www.ti.com/sc/docs/stdterms.htm>) apply to the sale of packaged integrated circuit products. Additional terms may apply to the use or sale of other types of TI products and services.

Designer will fully indemnify TI and its representatives against any damages, costs, losses, and/or liabilities arising out of Designer's non-compliance with the terms and provisions of this Notice.

Mailing Address: Texas Instruments, Post Office Box 655303, Dallas, Texas 75265
Copyright © 2016, Texas Instruments Incorporated