

COMPUTER GENERATED DRAWING - DO NOT REVISE MANUALLY			
REVISIONS			
REV	DESCRIPTION	DATE	APPROVED
A	ECO INITIAL RELEASE	<APVD-DATE>	<APVD>

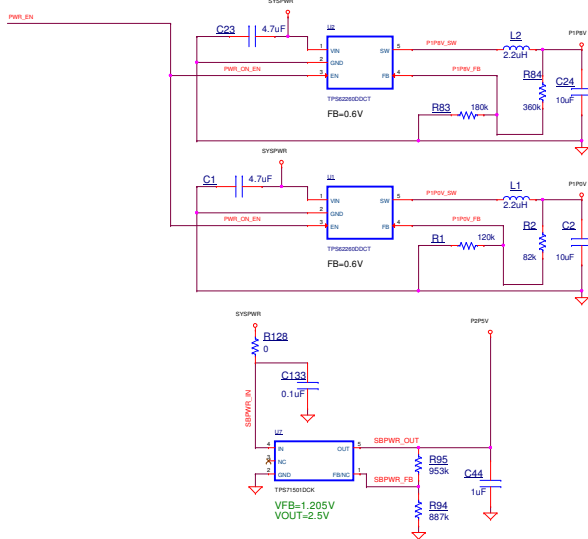
TIDA#01473 - REV B

February 13th, 2017

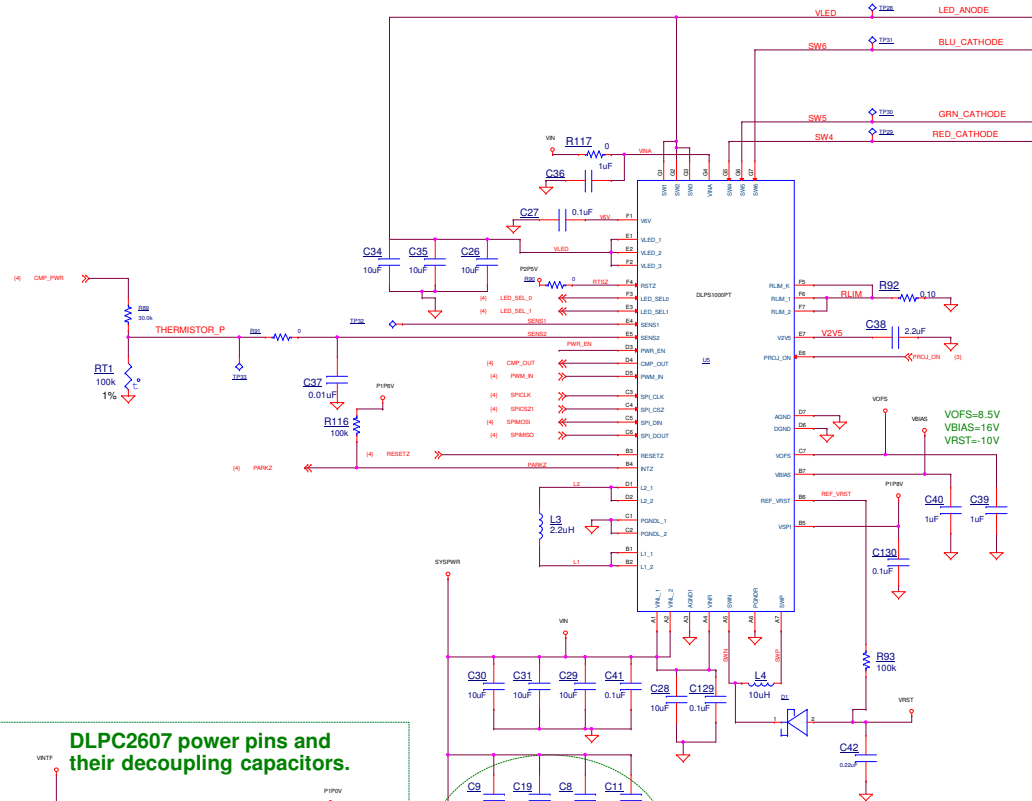
ESD - DWG# 2515209/ ECO# TBD
 PCB - DWG# 2515210/ ECO# TBD
 CCA - DWG# 2515211/ ECO# TBD

DWN	Luis Riveros	DATE	06/22/2016	TEXAS INSTRUMENTS - DLP® Products	
ENGR	Luis Riveros	DATE	06/22/2016	(C) COPYRIGHT 2016 Texas Instruments Inc. All Rights Reserved	
SVS	Dan Morgan	DATE	????	TITLE DLPDLCR2000 EVM	
APVD	Jeff Dennis	DATE	????	DRAWING NO	DLP003
CA	Divya Reddy	DATE	????	TI x 17	Sheet Capture 16.0 [SHEET 1 of 7] REV E1

POWER REGULATORS

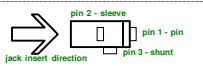
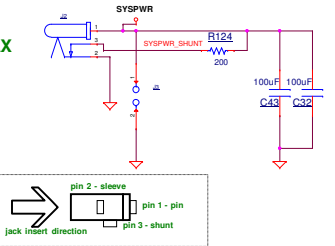


POWER MANAGEMENT - PAD1000

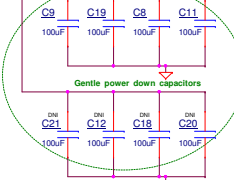
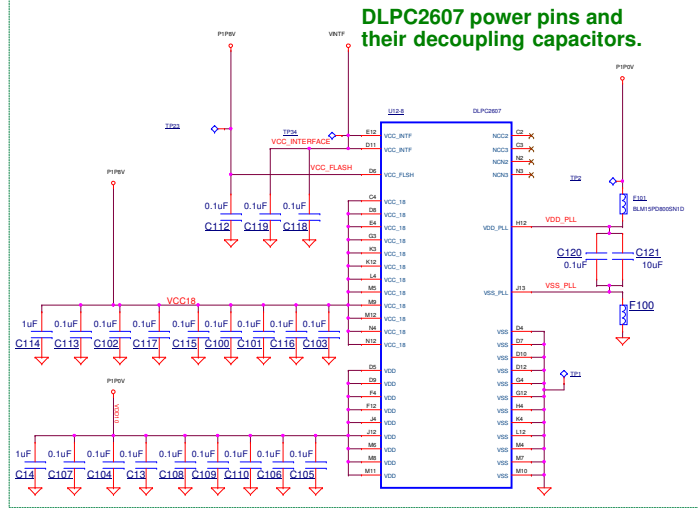


EXTERNAL POWER INPUT

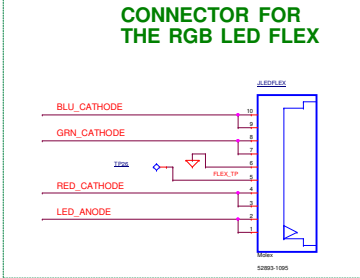
5V
5A MAX



DLP02607 power pins and their decoupling capacitors.



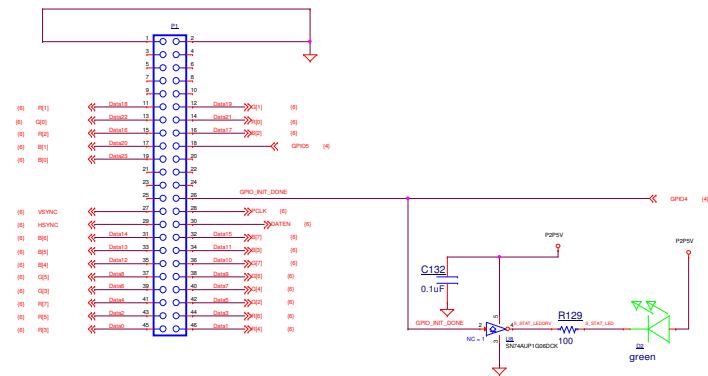
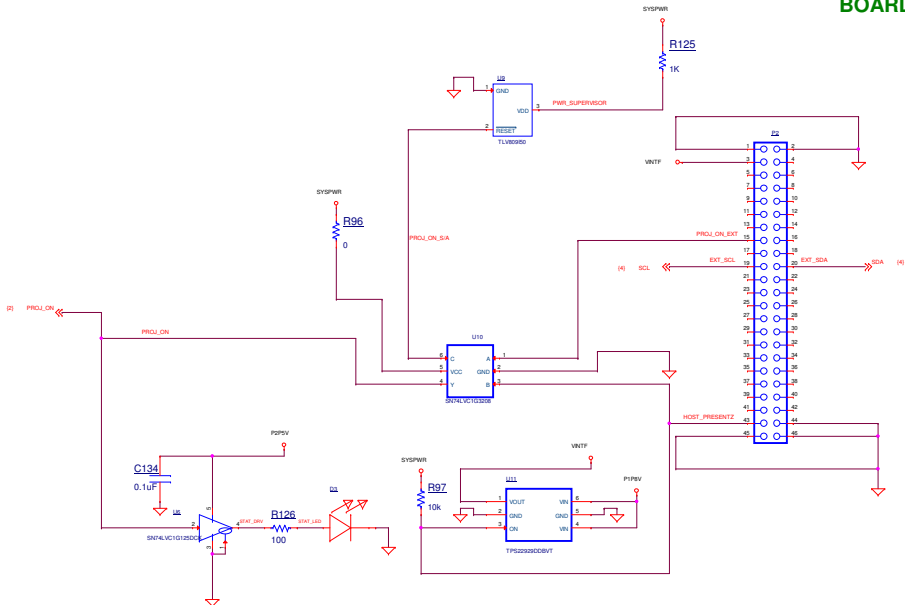
CONNECTOR FOR THE RGB LED FLEX



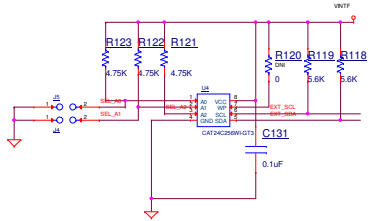
PRELIMINARY

TEXAS INSTRUMENTS	OWN	DATE	DRAWING NO	REV
	LED DRIVER	08/20/2015		
© COPYRIGHT 2014, TEXAS INSTRUMENTS		ISSUE DATE	SIZE	SHEET 2 OF 7
ALL RIGHTS RESERVED		08/20/2015	D	

BOARD INTERFACE CONNECTORS



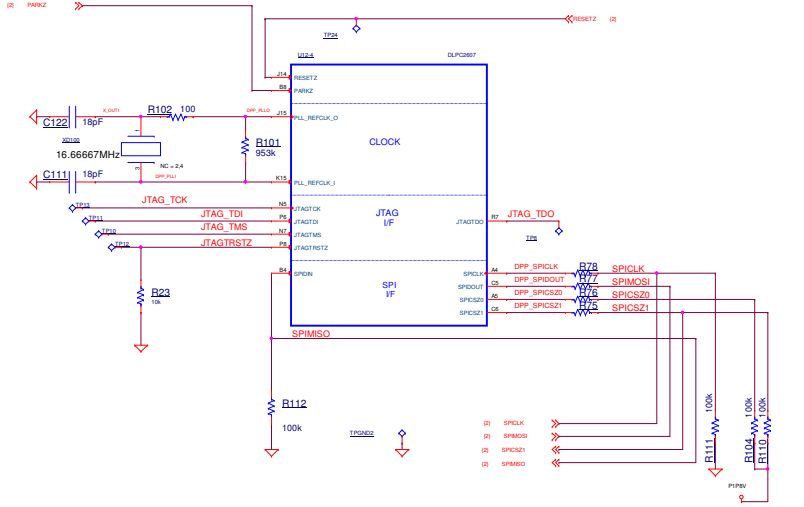
EEPROM IC



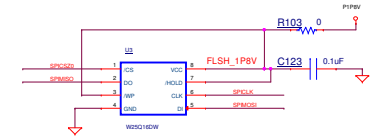
PRELIMINARY

TEXAS INSTRUMENTS	OWN	DATE	DRAWING NO	REV
	LOG NUMBER	ISSUE DATE		
© COPYRIGHT 2014, TEXAS INSTRUMENTS ALL RIGHTS RESERVED		SIZE	SHEET 3 OF 7	
		D		

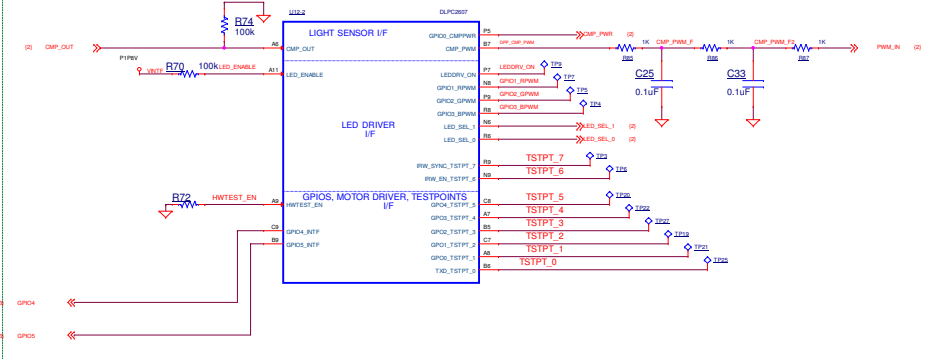
DLPC2607 Clock, Reset, SPI



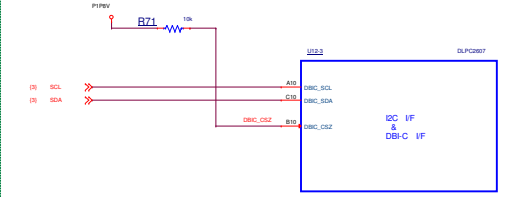
16Mbit Flash Memory



DLPC2607 I/Os, GPIOs, Testpoints



I2C I/F

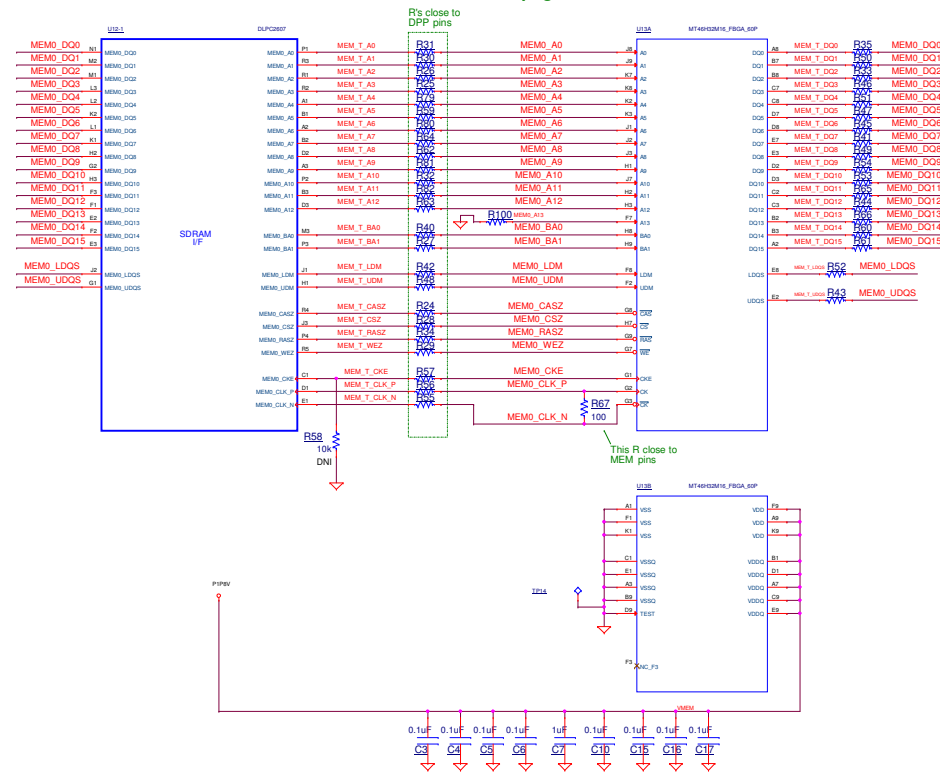


PRELIMINARY

TEXAS INSTRUMENTS <small>© COPYRIGHT 2016 TEXAS INSTRUMENTS ALL RIGHTS RESERVED</small>	OWN Luis Brando	DATE 06/22/2016	DRAWING NO DLP003	REV E1
	ISSUE DATE 06/22/2016	SIZE D	SHEET 4 OF 7	

SDRAM mDDR MEMORY (JEDEC FOOTPRINT)

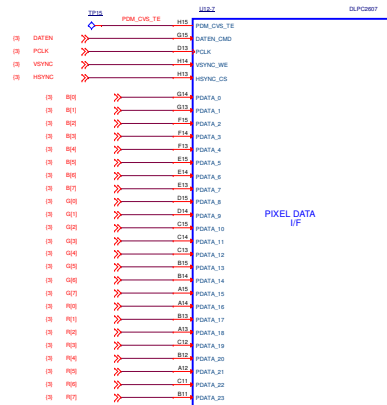
*All resistor values in this page are 30 Ohms unless otherwise noted



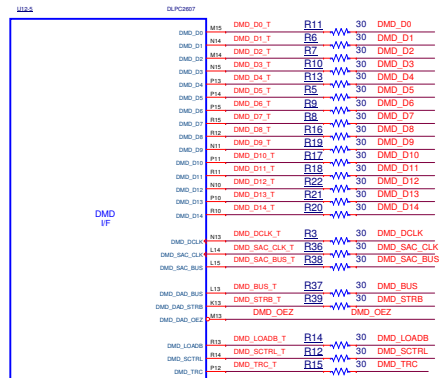
PRELIMINARY

TEXAS INSTRUMENTS © COPYRIGHT 2014, TEXAS INSTRUMENTS ALL RIGHTS RESERVED	OWN	DATE	DRAWING NO.	REV.
	Lee Brown	08/22/2014	DLP003	E1
	ISSUE DATE		SIZE	SHEET
	08/22/2014		D	5 OF 7

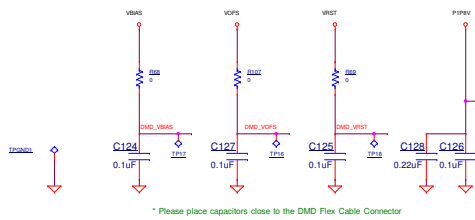
DLPC2607 DATA INTERFACE



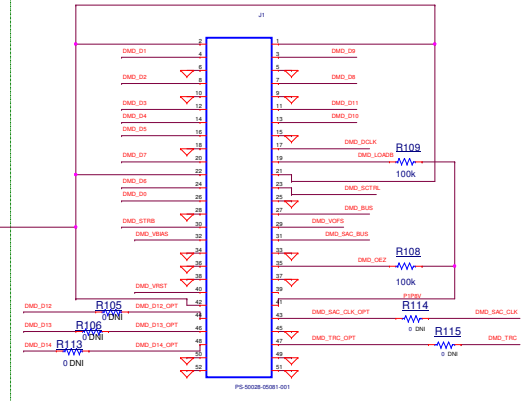
DLPC2607 DMD INTERFACE



DMD POWER SUPPLY



CONNECTOR FOR DMD FLEX CABLE



Revisions

Rev. A : Initial Release

Rev. B : Fixed components not properly listed as "DNI"

PRELIMINARY

REVISION NOTES

TEXAS INSTRUMENTS <small>© COPYRIGHT 2016, TEXAS INSTRUMENTS ALL RIGHTS RESERVED</small>	DWN	DATE	DRAWING NO.	REV.
	LSB/BNW/MS	08/22/2016	DLP003	E1
	ISSUE DATE		SIZE	SHEET 7 OF 7
	08/22/2016		D	9

IMPORTANT NOTICE AND DISCLAIMER

TI PROVIDES TECHNICAL AND RELIABILITY DATA (INCLUDING DATASHEETS), DESIGN RESOURCES (INCLUDING REFERENCE DESIGNS), APPLICATION OR OTHER DESIGN ADVICE, WEB TOOLS, SAFETY INFORMATION, AND OTHER RESOURCES "AS IS" AND WITH ALL FAULTS, AND DISCLAIMS ALL WARRANTIES, EXPRESS AND IMPLIED, INCLUDING WITHOUT LIMITATION ANY IMPLIED WARRANTIES OF MERCHANTABILITY, FITNESS FOR A PARTICULAR PURPOSE OR NON-INFRINGEMENT OF THIRD PARTY INTELLECTUAL PROPERTY RIGHTS.

These resources are intended for skilled developers designing with TI products. You are solely responsible for (1) selecting the appropriate TI products for your application, (2) designing, validating and testing your application, and (3) ensuring your application meets applicable standards, and any other safety, security, or other requirements. These resources are subject to change without notice. TI grants you permission to use these resources only for development of an application that uses the TI products described in the resource. Other reproduction and display of these resources is prohibited. No license is granted to any other TI intellectual property right or to any third party intellectual property right. TI disclaims responsibility for, and you will fully indemnify TI and its representatives against, any claims, damages, costs, losses, and liabilities arising out of your use of these resources.

TI's products are provided subject to TI's Terms of Sale (<https://www.ti.com/legal/termsofsale.html>) or other applicable terms available either on [ti.com](https://www.ti.com) or provided in conjunction with such TI products. TI's provision of these resources does not expand or otherwise alter TI's applicable warranties or warranty disclaimers for TI products.

Mailing Address: Texas Instruments, Post Office Box 655303, Dallas, Texas 75265
Copyright © 2021, Texas Instruments Incorporated