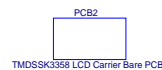

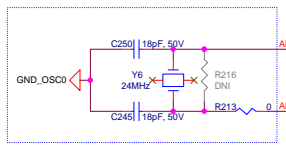


TMDSSK3358 Board

- See the Hardware User Guide for board details
- See the Board Errata document for important details
- See the PCB Build Specification for PCB Details

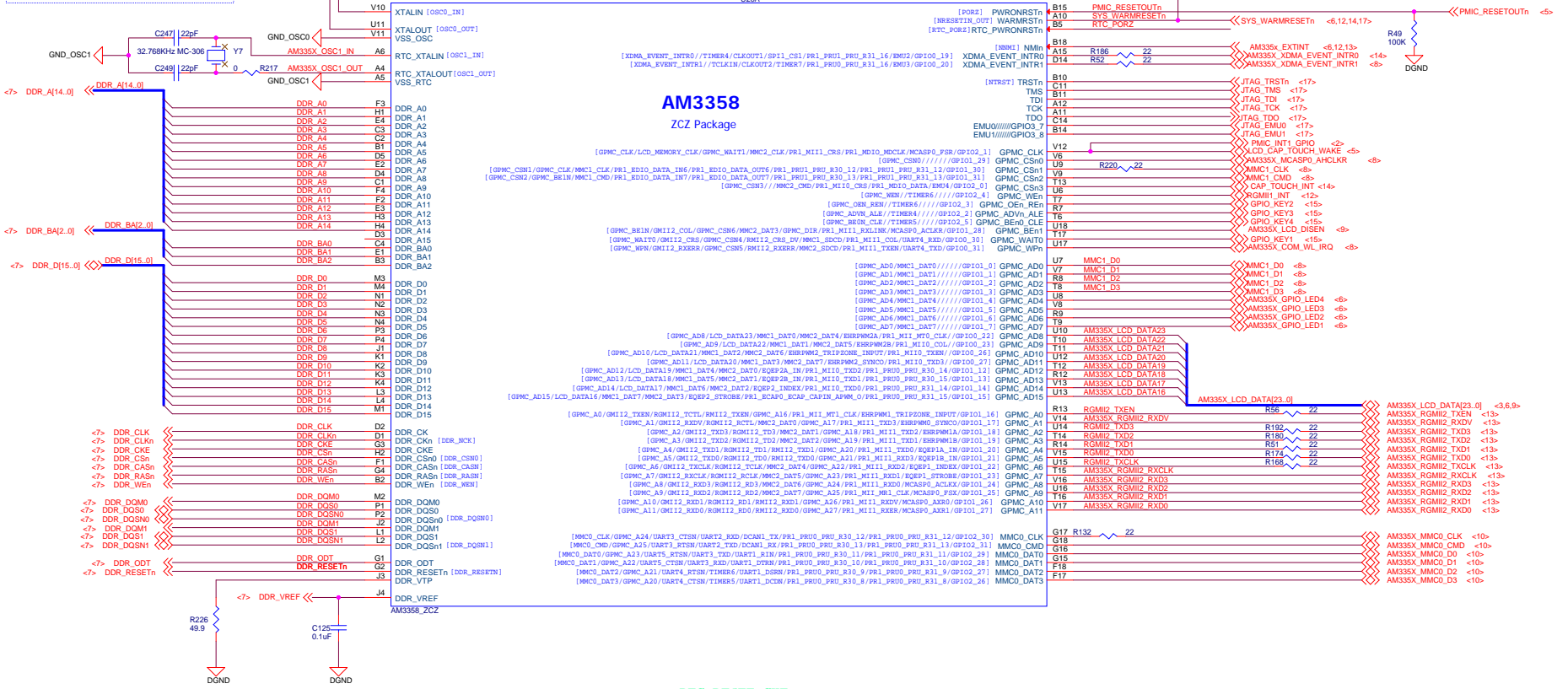


ARM MPU	Texas Instruments, Inc.			
	ARM MPU Business Unit 12500 TI Blvd Dallas, TX 75243			
	TMDSSK3358			Final
	Title Page			
Size	Document Number	Modified By:	Rev	
C	TMDSSK3358_1.2A.dsn	Radha	1.2B	
Date: Friday, March 22, 2013		Sheet: 1 of 17		

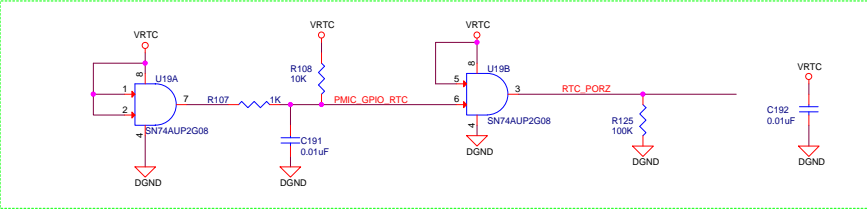


AM335X

AM3358
ZCZ Package



RTC RESET CKT



ARM MPU
 Texas Instruments, Inc.
 ARM MPU Business Unit
 12500 TI Blvd
 Dallas, TX 75243
Final
 TMDSSK3358
 AM335X Section 1 of 3
 Size C Document Number TMDSSK3358_1.2A.dsn Modified By: Radha Rev 1.2B
 Date: Friday, March 22, 2013 Sheet: 2 of 17

AM335X

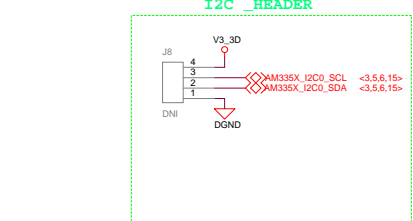
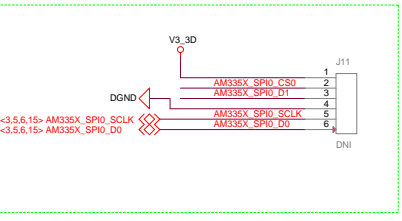
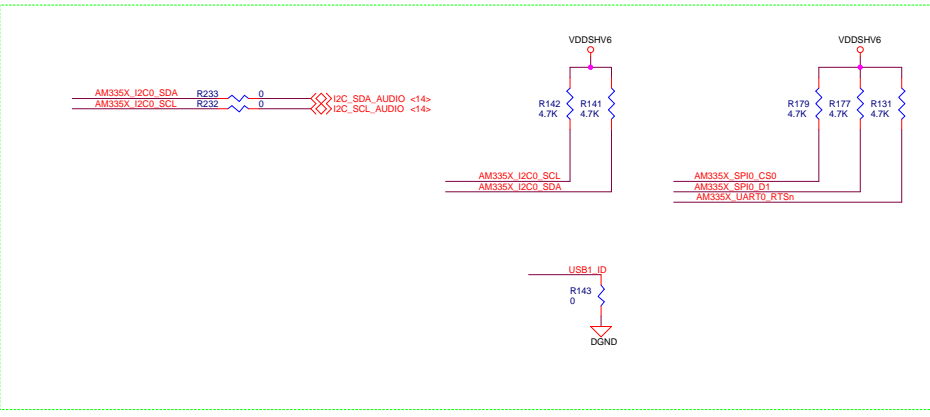
U26B

AM3358
ZCZ Package



ZIGBEE HEADER

I2C HEADER



From Byte 1

ARM MPU

Texas Instruments, Inc.
ARM MPU Business Unit
12500 TI Blvd
Dallas, TX 75243

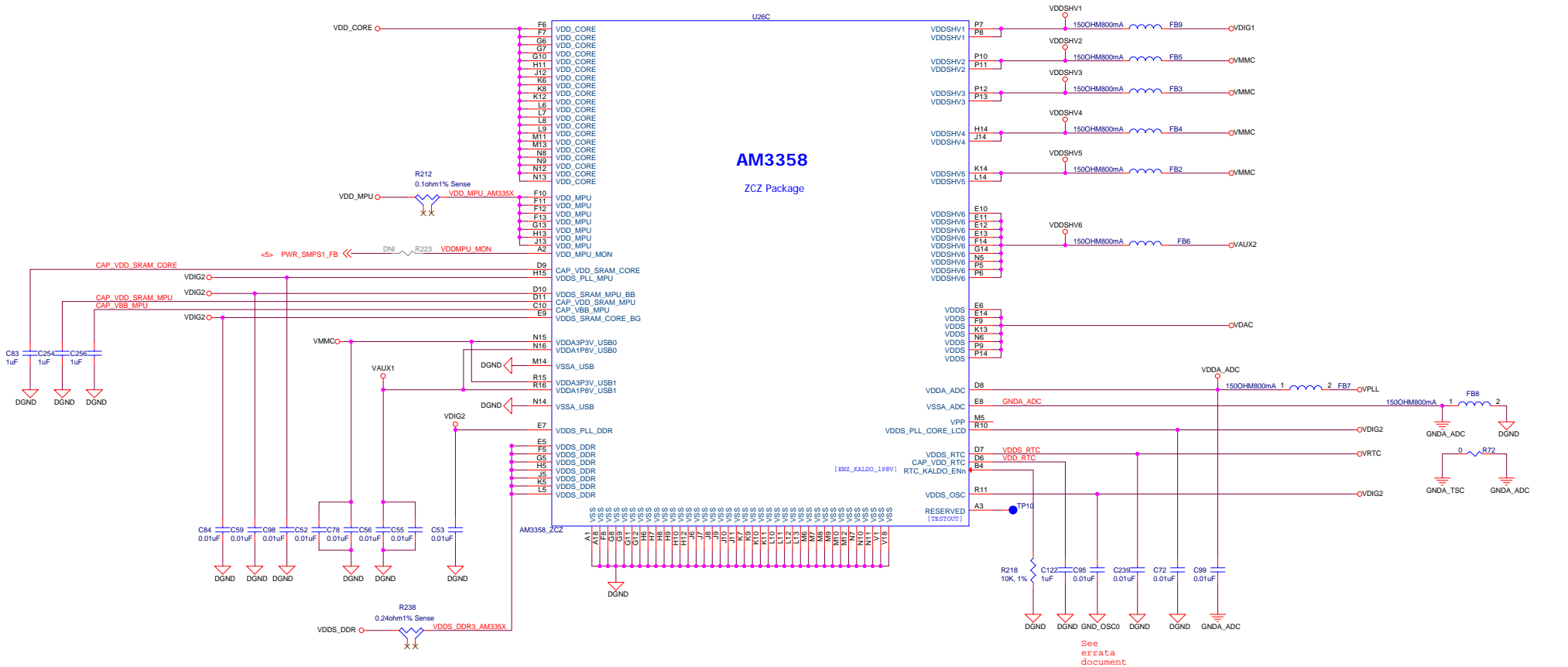
TEXAS INSTRUMENTS

TMDSSK3358
AM335X Section 2 of 3

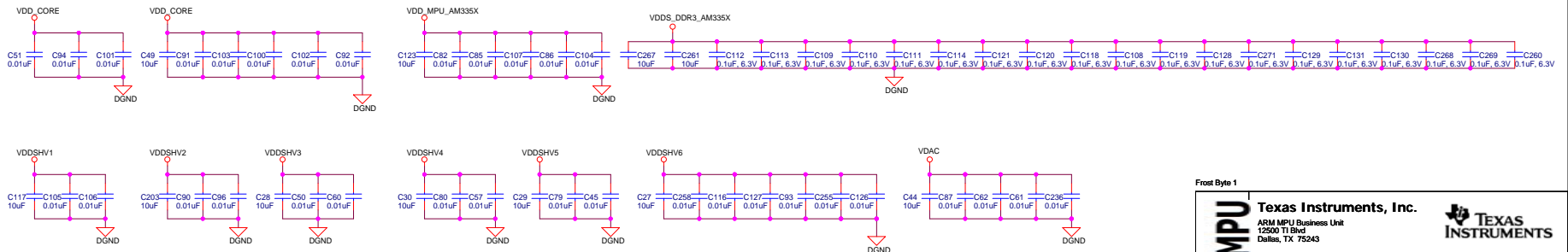
Size	Document Number	Modified By:	Rev
C	TMDSSK3358_1.2A.dsn	Radha	1.2B

Date: Friday, March 22, 2013
Sheet: 3 of 17

AM335X POWER



DE-CAPS



ARM MPU

Texas Instruments, Inc.
 ARM MPU Business Unit
 12500 TI Blvd
 Dallas, TX 75243

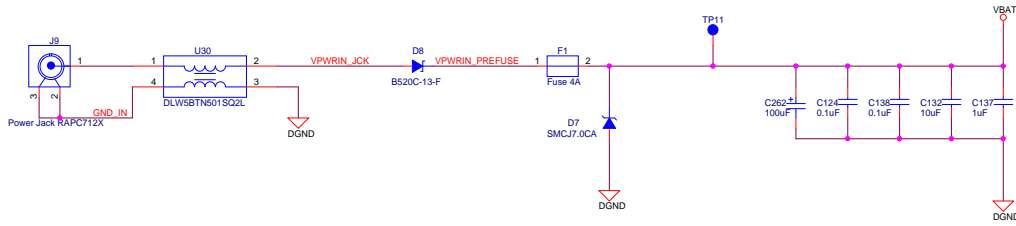
TMDSSK3358
 SubArctic Power

Size	Document Number	Modified By:	Rev
C	TMDSSK3358_1.2A.dsn	Radha	1.2B

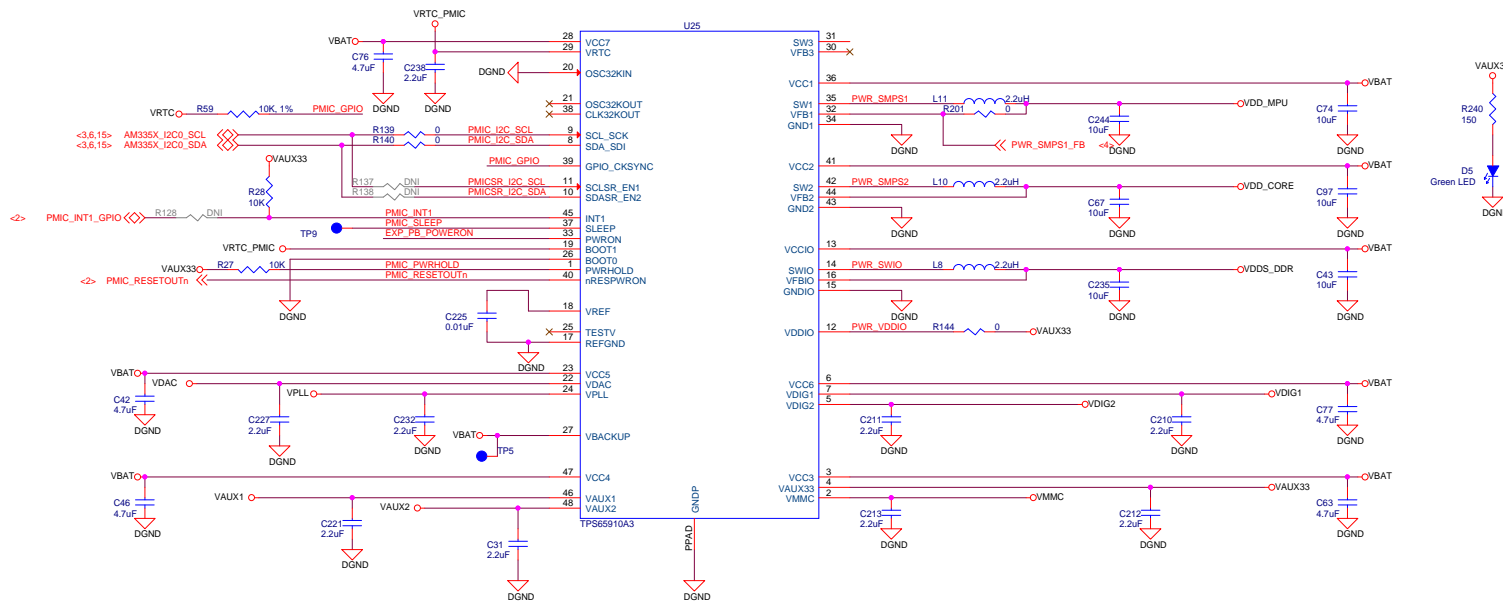
Date: Friday, March 22, 2013

Sheet: 4 of 17

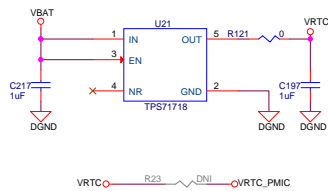
Main Power Input



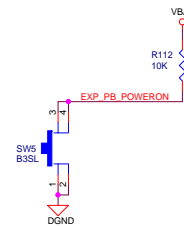
Power Management IC



RTC LDO



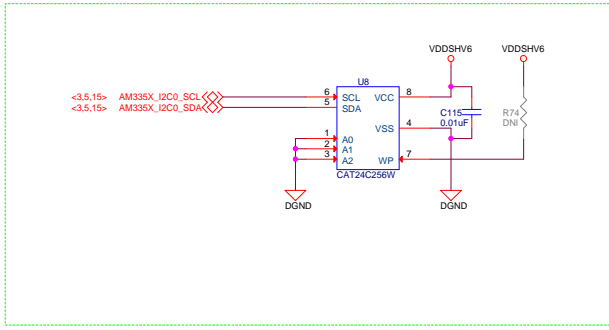
PWR ON SWITCH



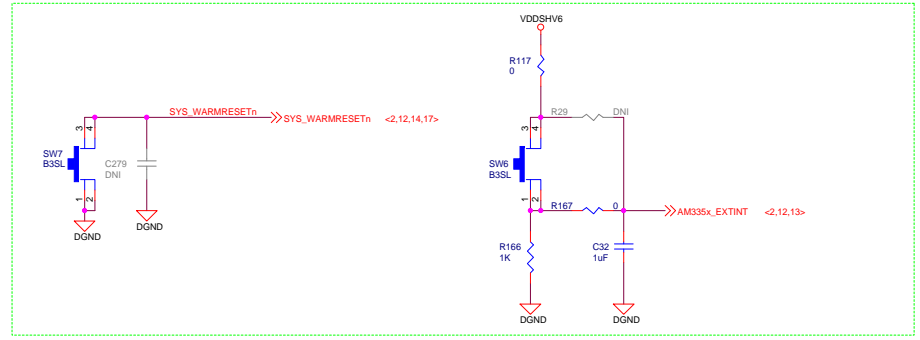
Frost Byte 1

ARM MPU	Texas Instruments, Inc.			
	ARM MPU Business Unit 12500 TI Blvd Dallas, TX 75243			
TMDSSK3358				
Platform_Power				
Size	Document Number	Modified By:	Rev	
C	TMDSSK3358_1.2A.dsn	Radha	1.2B	
Date: Friday, March 22, 2013		Sheet: 5 of 17		

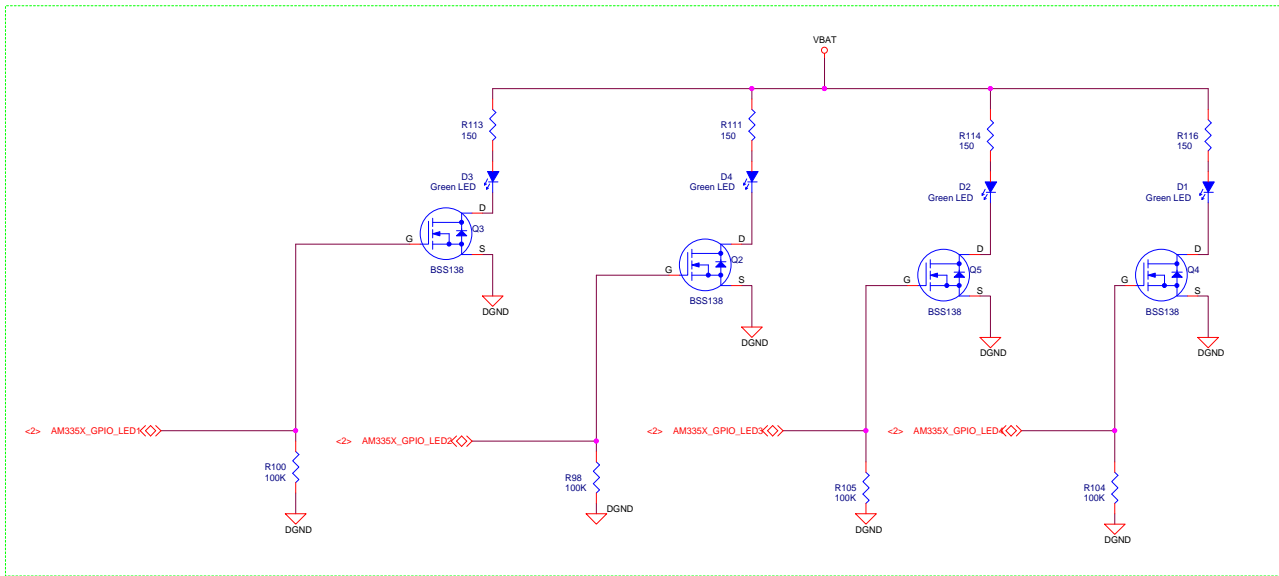
ID Memory



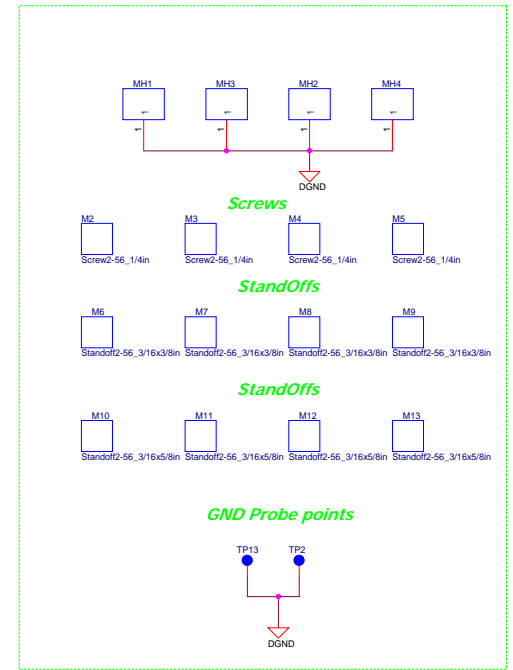
User Reset/Interrupt Switches



User LEDs

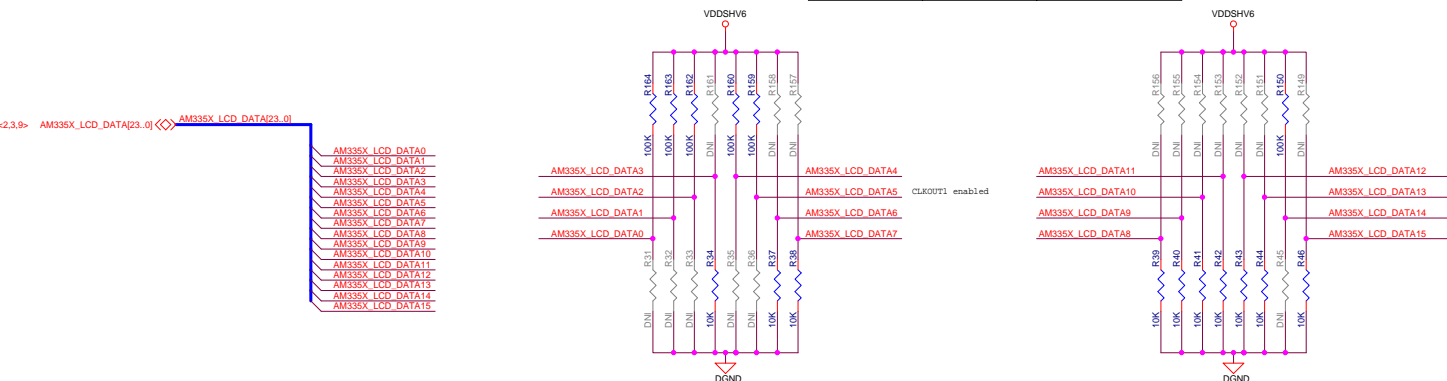


Mechanical



Boot Configuration

AM335X_LCD_DATA1[15:0]	010000000000110111b	MFC0, SP10, UART0, USB0
------------------------	---------------------	-------------------------



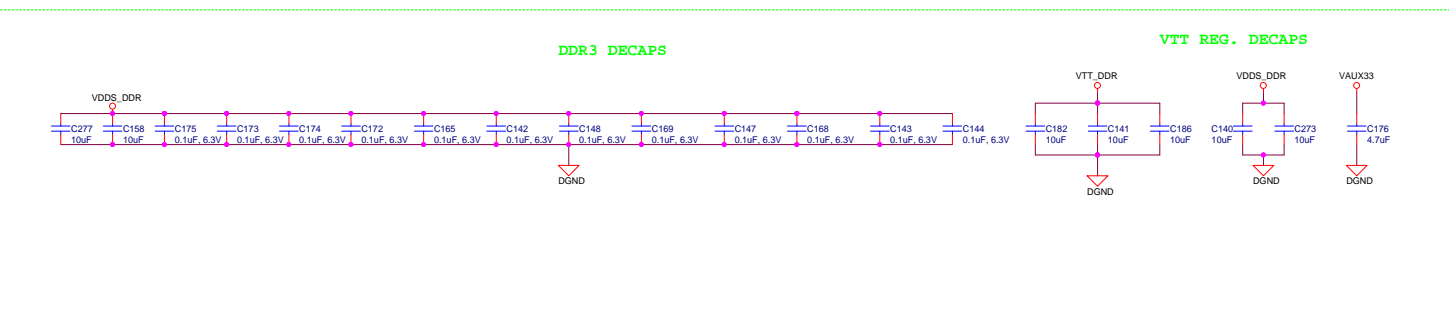
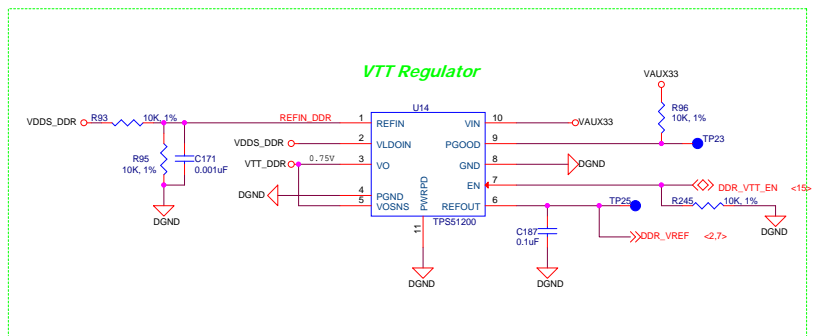
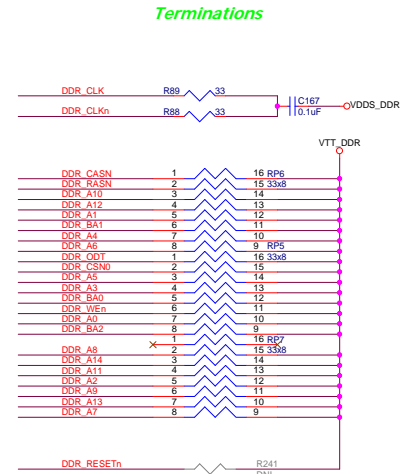
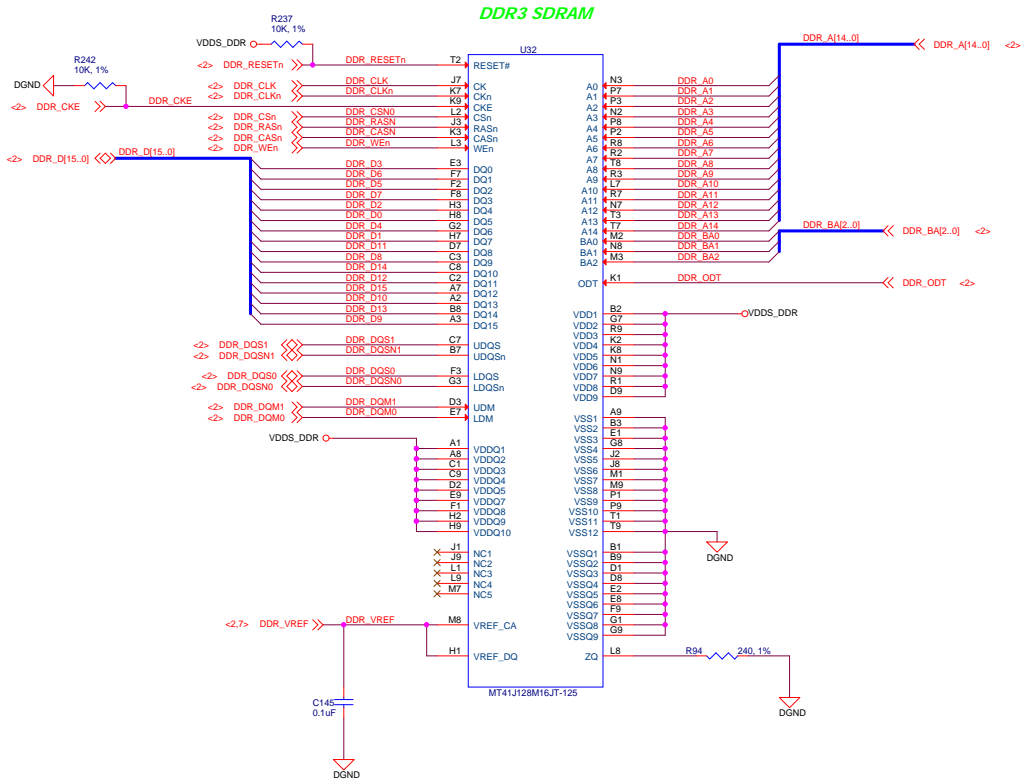
ARM MPU

Texas Instruments, Inc.
 ARM MPU Business Unit
 12500 TI Blvd
 Dallas, TX 75243

TMDSSK3358
 SysBoot_LEDs_Mech

Size	Document Number	Modified By:	Rev
C	TMDSSK3358_1.2A.dsn	Radha	1.2B

Date: Friday, March 22, 2013 Sheet: 6 of 17



ARM MPU

Texas Instruments, Inc.

ARM MPU Business Unit
12500 TI Blvd
Dallas, TX 75243

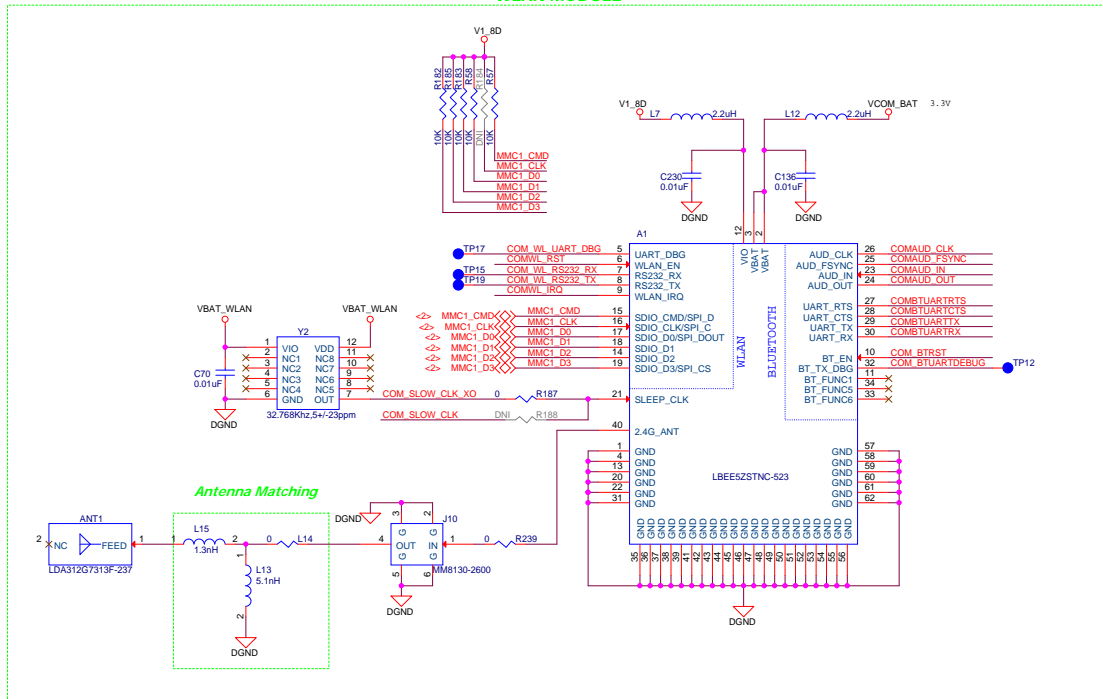
TMDSSK3358
DDR3_Memory

Size	Document Number	Modified By:	Rev
C	TMDSSK3358_1.2A.dsn	Radha	1.2B

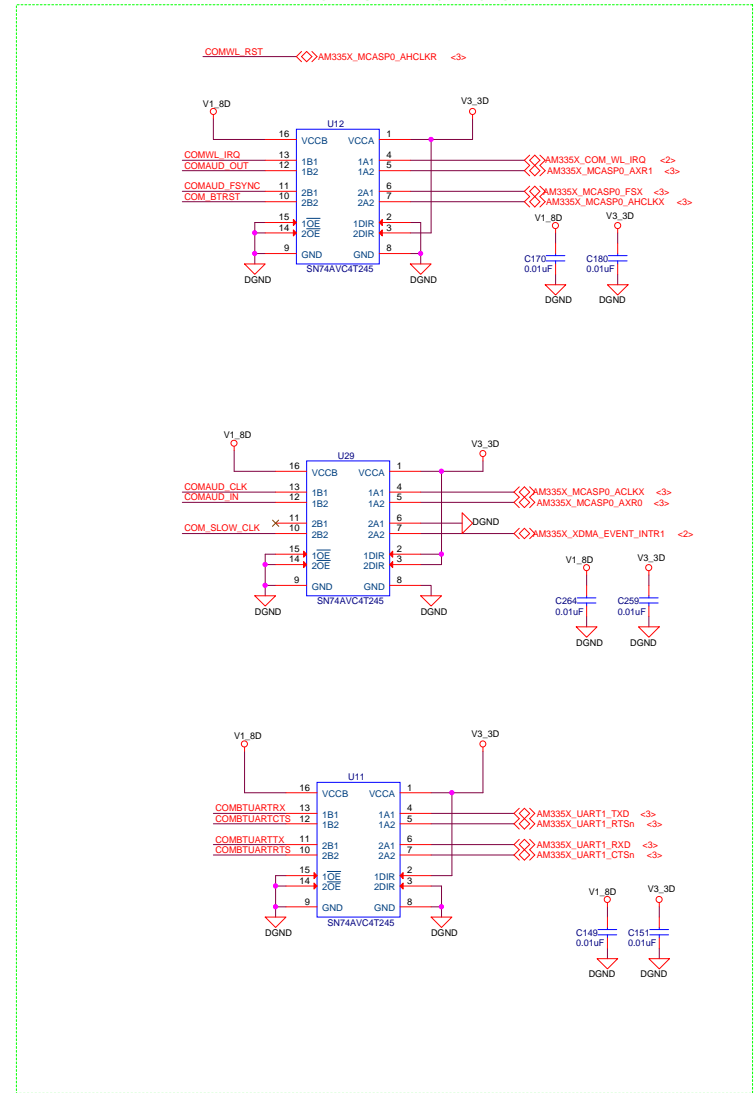
Date: Friday, March 22, 2013

Sheet: 7 of 17

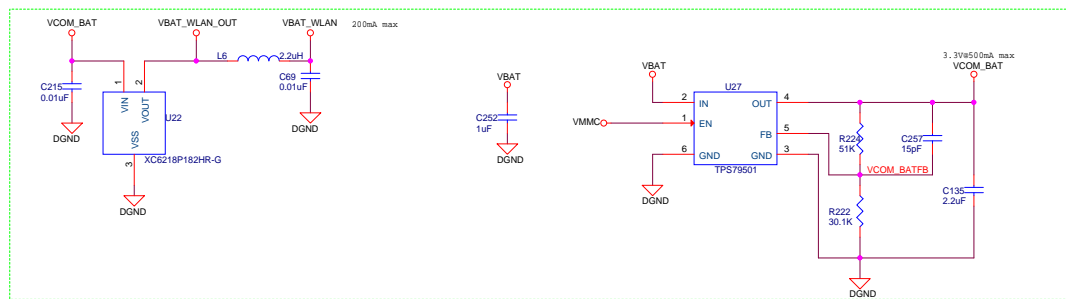
WLAN MODULE



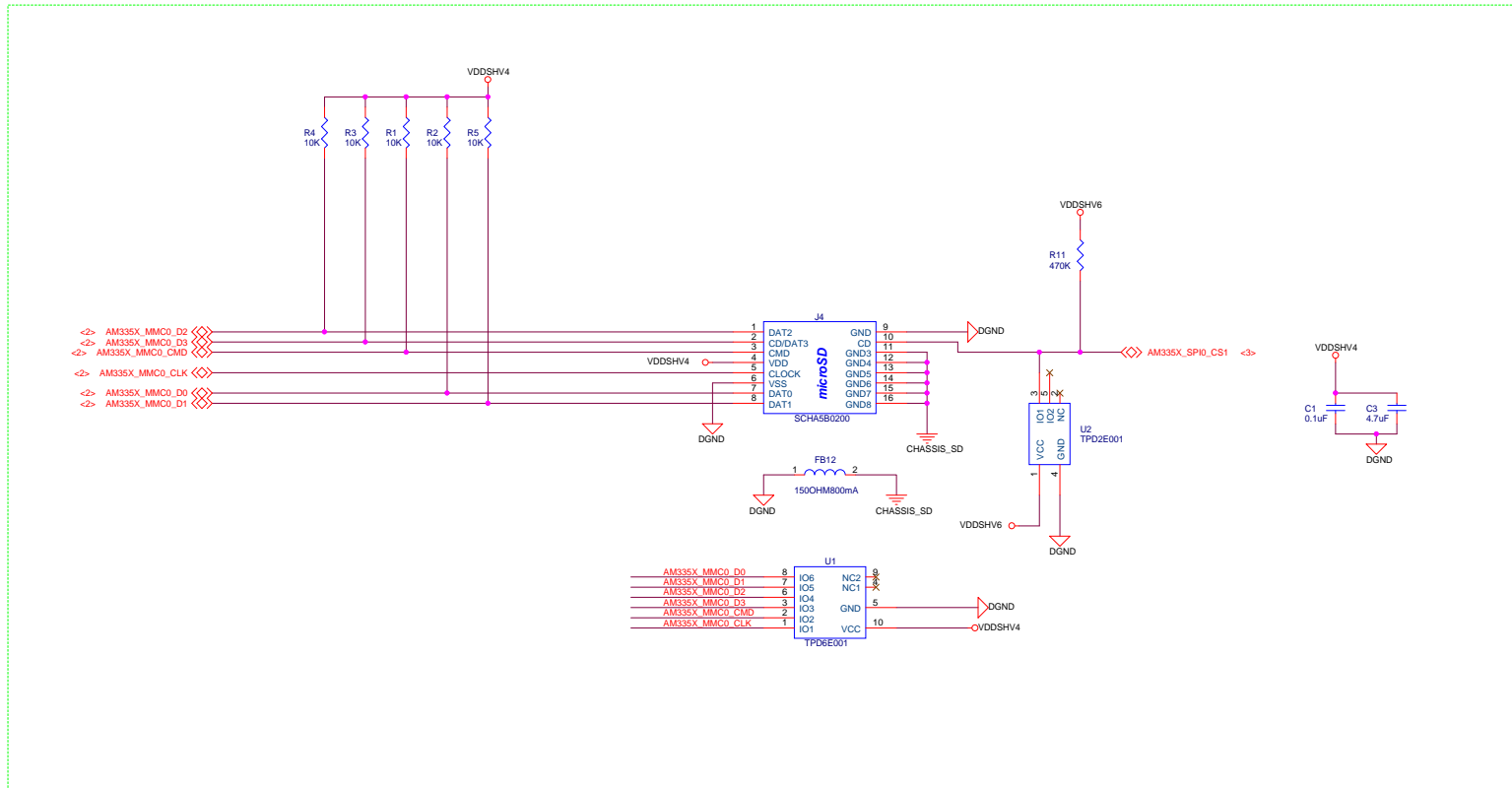
VOLTAGE TRANSLATORS



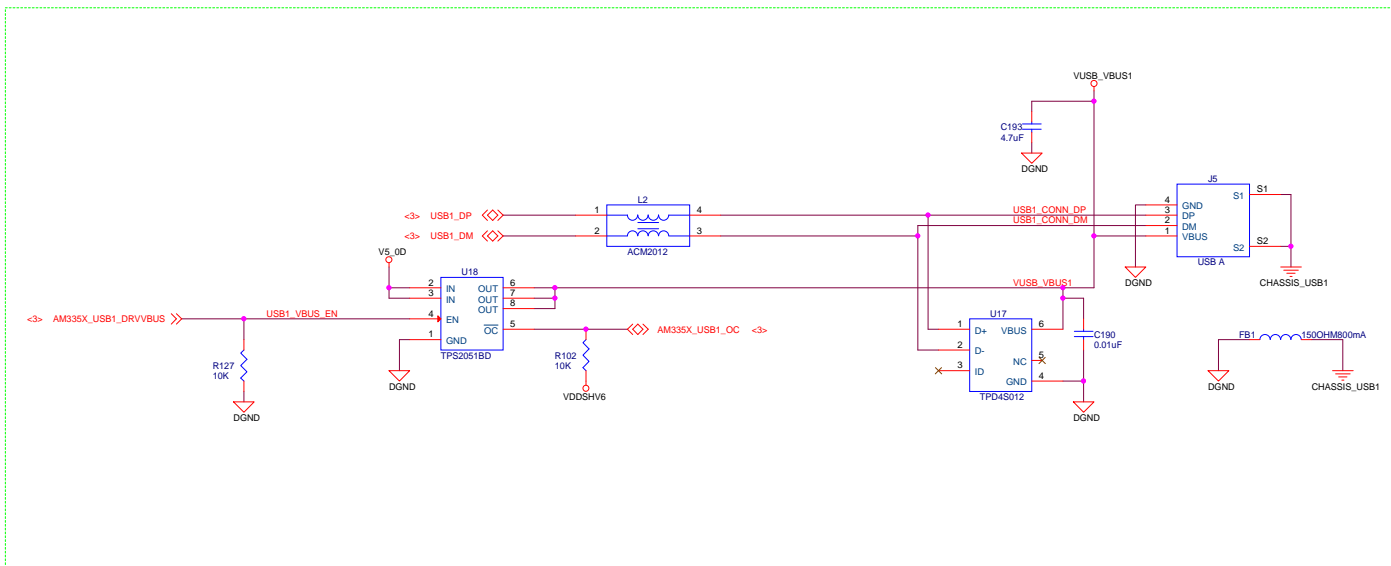
WLAN POWER



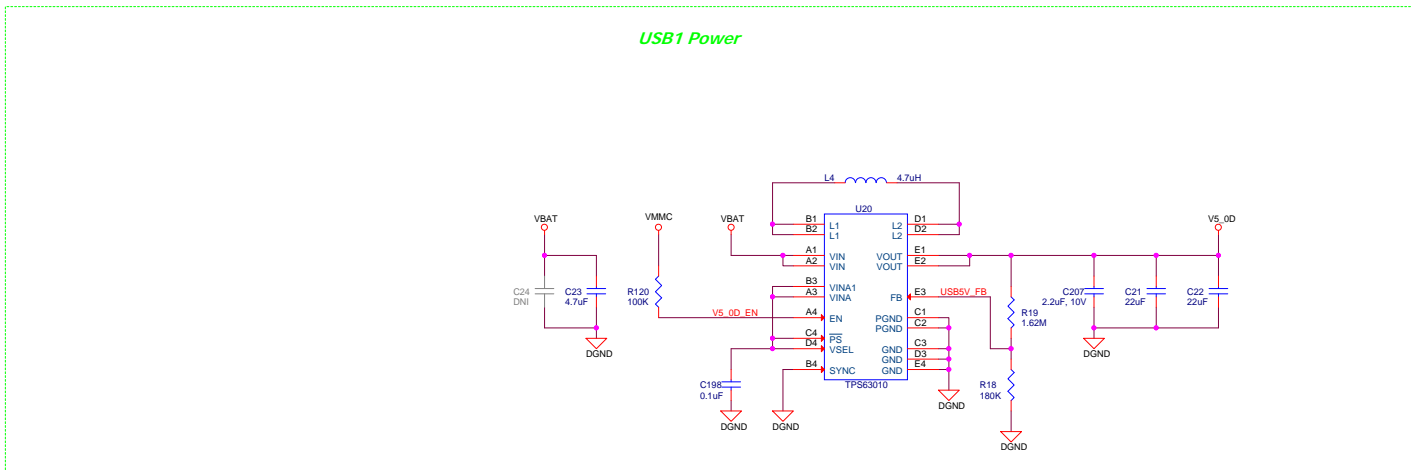
SD/MMC Connector



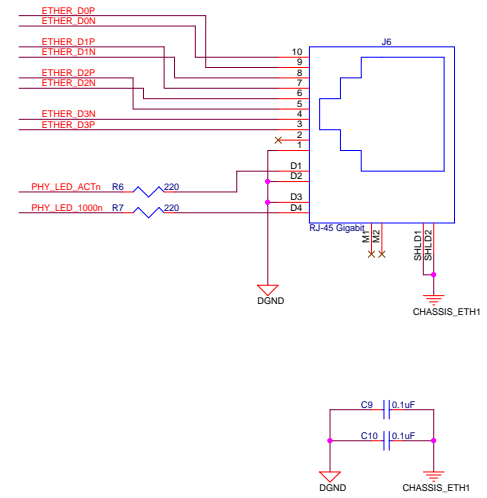
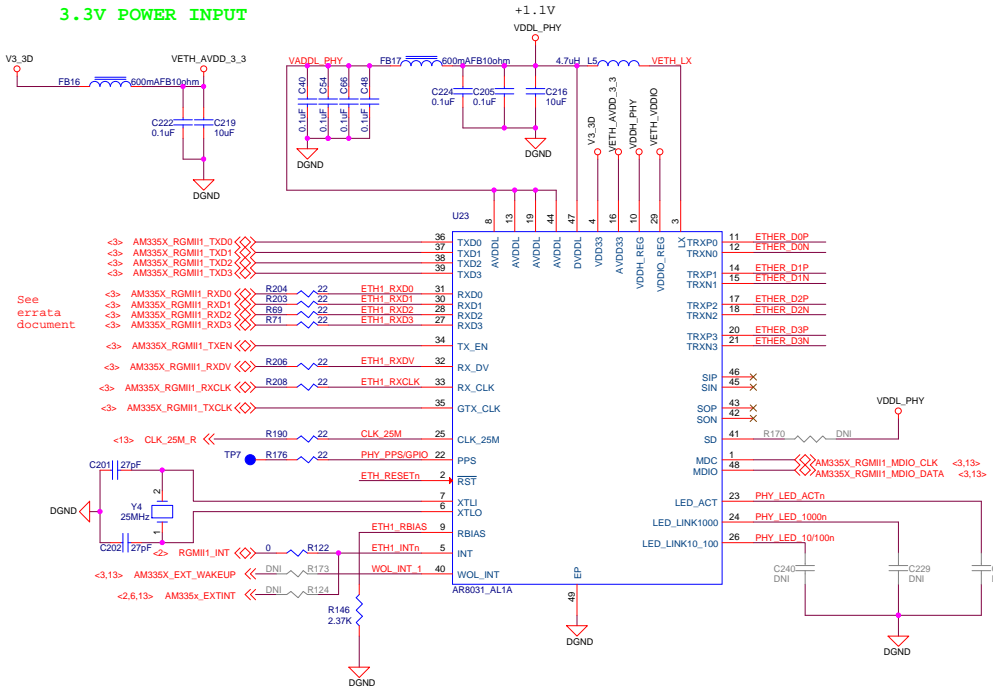
USB1 Port



USB1 Power



3.3V POWER INPUT



Decaps

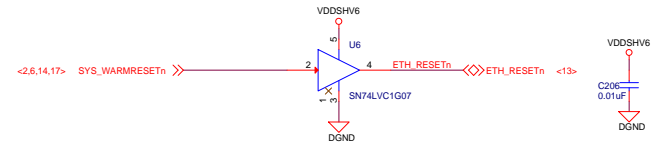
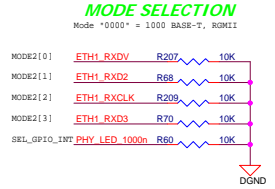
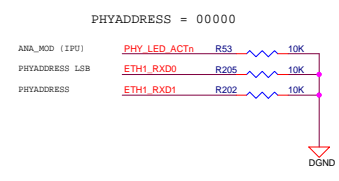
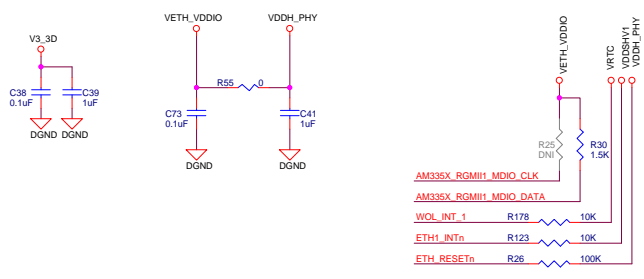
Power SEL

Pull ups

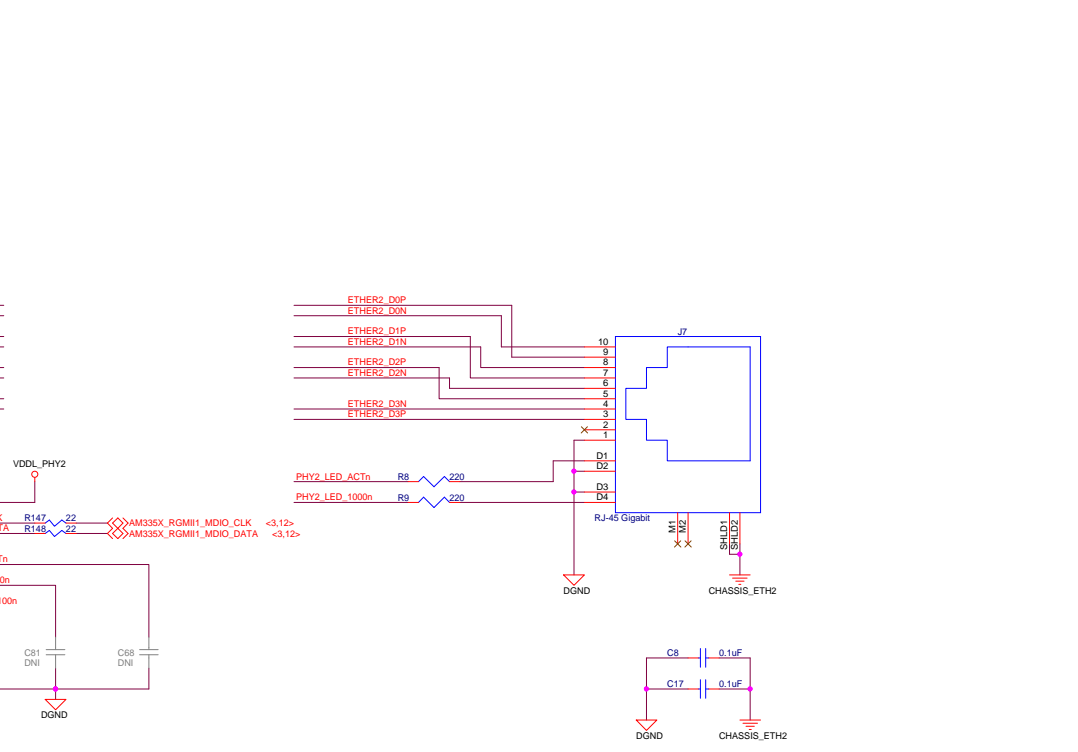
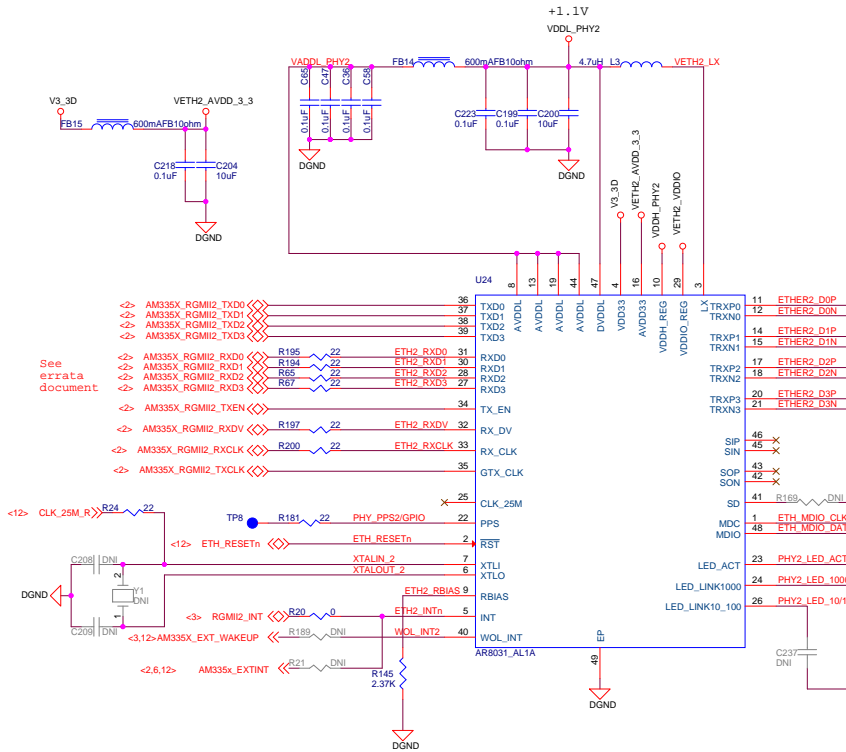
PHY Address

Bootstrapping

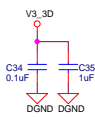
Reset



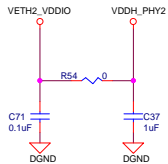
ARM MPU	Texas Instruments, Inc.			
	ARM MPU Business Unit 12500 TI Blvd Dallas, TX 75243			
	TMDSK3358			
	RGMII			
Size	Document Number	Modified By:	Rev	
C	TMDSK3358_1.2A.dsn	Radha	1.2B	
Date:	Friday, March 22, 2013	Sheet:	12	of 17



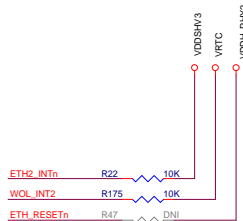
Decaps



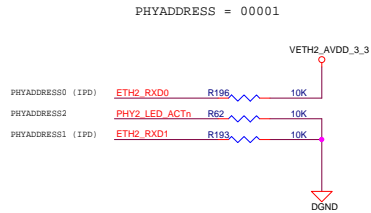
Power SEL



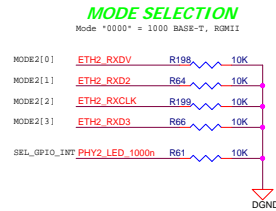
Pull ups



PHY Address

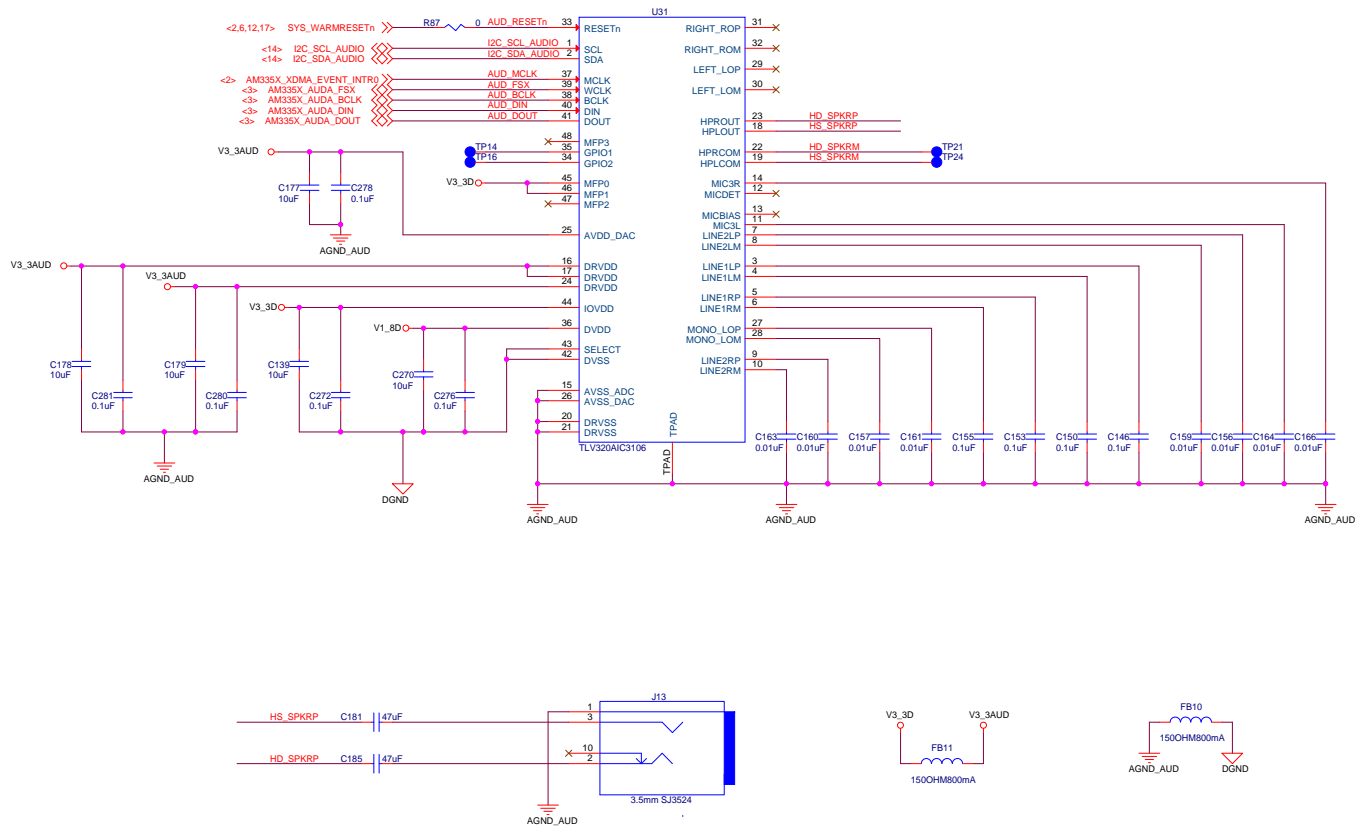


BootStrapping

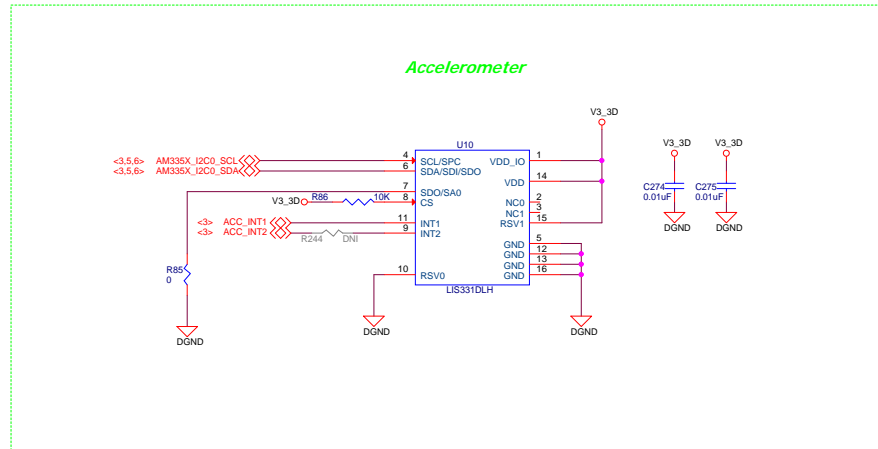
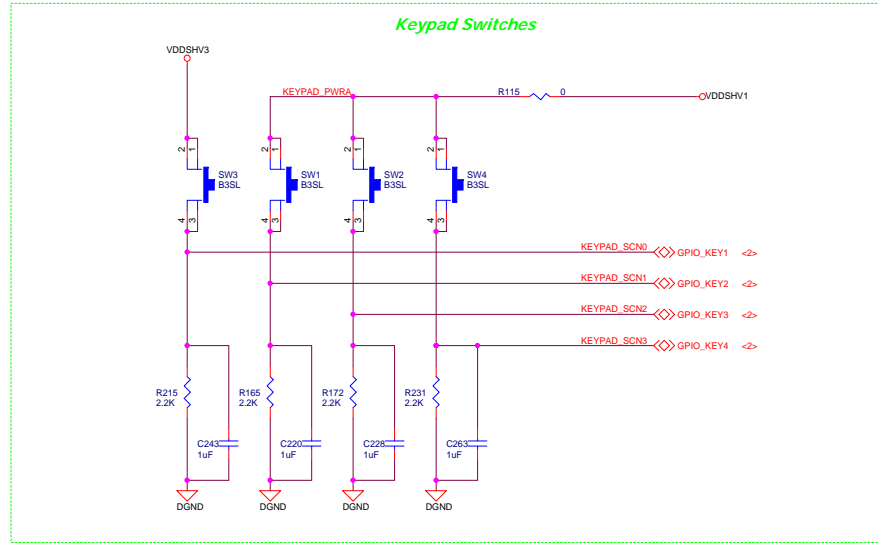


ARM MPU	Texas Instruments, Inc.			
	ARM MPU Business Unit 12500 TI Blvd Dallas, TX 75243			
	TMDSK3358			
	RGMII2			
Size	Document Number	Modified By:	Rev	
C	TMDSK3358_1.2A.dsn	Radha	1.2B	
Date:	Friday, March 22, 2013	Sheet: 13	of 17	

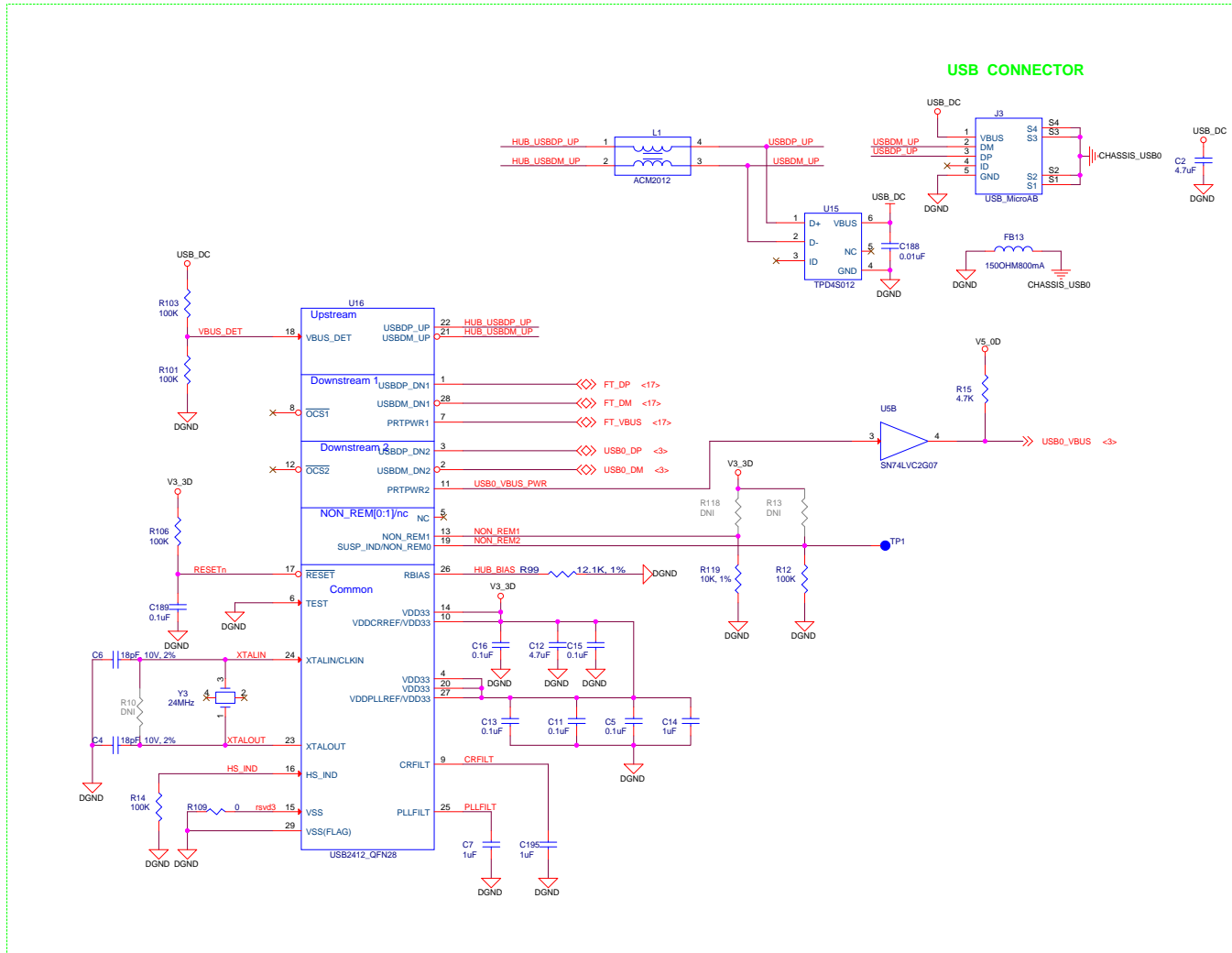
Audio Codec



ARM MPU	Texas Instruments, Inc.			
	ARM MPU Business Unit 12500 TI Blvd Dallas, TX 75243			
	TMDSK3358			
	Audio			
Size	Document Number	Modified By:	Rev	
C	TMDSK3358_1.2A.dsn	Radha	1.2B	
Date: Friday, March 22, 2013			Sheet: 14	of 17



USB HUB



IMPORTANT NOTICE FOR TI DESIGN INFORMATION AND RESOURCES

Texas Instruments Incorporated ("TI") technical, application or other design advice, services or information, including, but not limited to, reference designs and materials relating to evaluation modules, (collectively, "TI Resources") are intended to assist designers who are developing applications that incorporate TI products; by downloading, accessing or using any particular TI Resource in any way, you (individually or, if you are acting on behalf of a company, your company) agree to use it solely for this purpose and subject to the terms of this Notice.

TI's provision of TI Resources does not expand or otherwise alter TI's applicable published warranties or warranty disclaimers for TI products, and no additional obligations or liabilities arise from TI providing such TI Resources. TI reserves the right to make corrections, enhancements, improvements and other changes to its TI Resources.

You understand and agree that you remain responsible for using your independent analysis, evaluation and judgment in designing your applications and that you have full and exclusive responsibility to assure the safety of your applications and compliance of your applications (and of all TI products used in or for your applications) with all applicable regulations, laws and other applicable requirements. You represent that, with respect to your applications, you have all the necessary expertise to create and implement safeguards that (1) anticipate dangerous consequences of failures, (2) monitor failures and their consequences, and (3) lessen the likelihood of failures that might cause harm and take appropriate actions. You agree that prior to using or distributing any applications that include TI products, you will thoroughly test such applications and the functionality of such TI products as used in such applications. TI has not conducted any testing other than that specifically described in the published documentation for a particular TI Resource.

You are authorized to use, copy and modify any individual TI Resource only in connection with the development of applications that include the TI product(s) identified in such TI Resource. NO OTHER LICENSE, EXPRESS OR IMPLIED, BY ESTOPPEL OR OTHERWISE TO ANY OTHER TI INTELLECTUAL PROPERTY RIGHT, AND NO LICENSE TO ANY TECHNOLOGY OR INTELLECTUAL PROPERTY RIGHT OF TI OR ANY THIRD PARTY IS GRANTED HEREIN, including but not limited to any patent right, copyright, mask work right, or other intellectual property right relating to any combination, machine, or process in which TI products or services are used. Information regarding or referencing third-party products or services does not constitute a license to use such products or services, or a warranty or endorsement thereof. Use of TI Resources may require a license from a third party under the patents or other intellectual property of the third party, or a license from TI under the patents or other intellectual property of TI.

TI RESOURCES ARE PROVIDED "AS IS" AND WITH ALL FAULTS. TI DISCLAIMS ALL OTHER WARRANTIES OR REPRESENTATIONS, EXPRESS OR IMPLIED, REGARDING TI RESOURCES OR USE THEREOF, INCLUDING BUT NOT LIMITED TO ACCURACY OR COMPLETENESS, TITLE, ANY EPIDEMIC FAILURE WARRANTY AND ANY IMPLIED WARRANTIES OF MERCHANTABILITY, FITNESS FOR A PARTICULAR PURPOSE, AND NON-INFRINGEMENT OF ANY THIRD PARTY INTELLECTUAL PROPERTY RIGHTS.

TI SHALL NOT BE LIABLE FOR AND SHALL NOT DEFEND OR INDEMNIFY YOU AGAINST ANY CLAIM, INCLUDING BUT NOT LIMITED TO ANY INFRINGEMENT CLAIM THAT RELATES TO OR IS BASED ON ANY COMBINATION OF PRODUCTS EVEN IF DESCRIBED IN TI RESOURCES OR OTHERWISE. IN NO EVENT SHALL TI BE LIABLE FOR ANY ACTUAL, DIRECT, SPECIAL, COLLATERAL, INDIRECT, PUNITIVE, INCIDENTAL, CONSEQUENTIAL OR EXEMPLARY DAMAGES IN CONNECTION WITH OR ARISING OUT OF TI RESOURCES OR USE THEREOF, AND REGARDLESS OF WHETHER TI HAS BEEN ADVISED OF THE POSSIBILITY OF SUCH DAMAGES.

You agree to fully indemnify TI and its representatives against any damages, costs, losses, and/or liabilities arising out of your non-compliance with the terms and provisions of this Notice.

This Notice applies to TI Resources. Additional terms apply to the use and purchase of certain types of materials, TI products and services. These include; without limitation, TI's standard terms for semiconductor products (<http://www.ti.com/sc/docs/stdterms.htm>), [evaluation modules](#), and [samples](http://www.ti.com/sc/docs/sampterm.htm) (<http://www.ti.com/sc/docs/sampterm.htm>).

Mailing Address: Texas Instruments, Post Office Box 655303, Dallas, Texas 75265
Copyright © 2017, Texas Instruments Incorporated