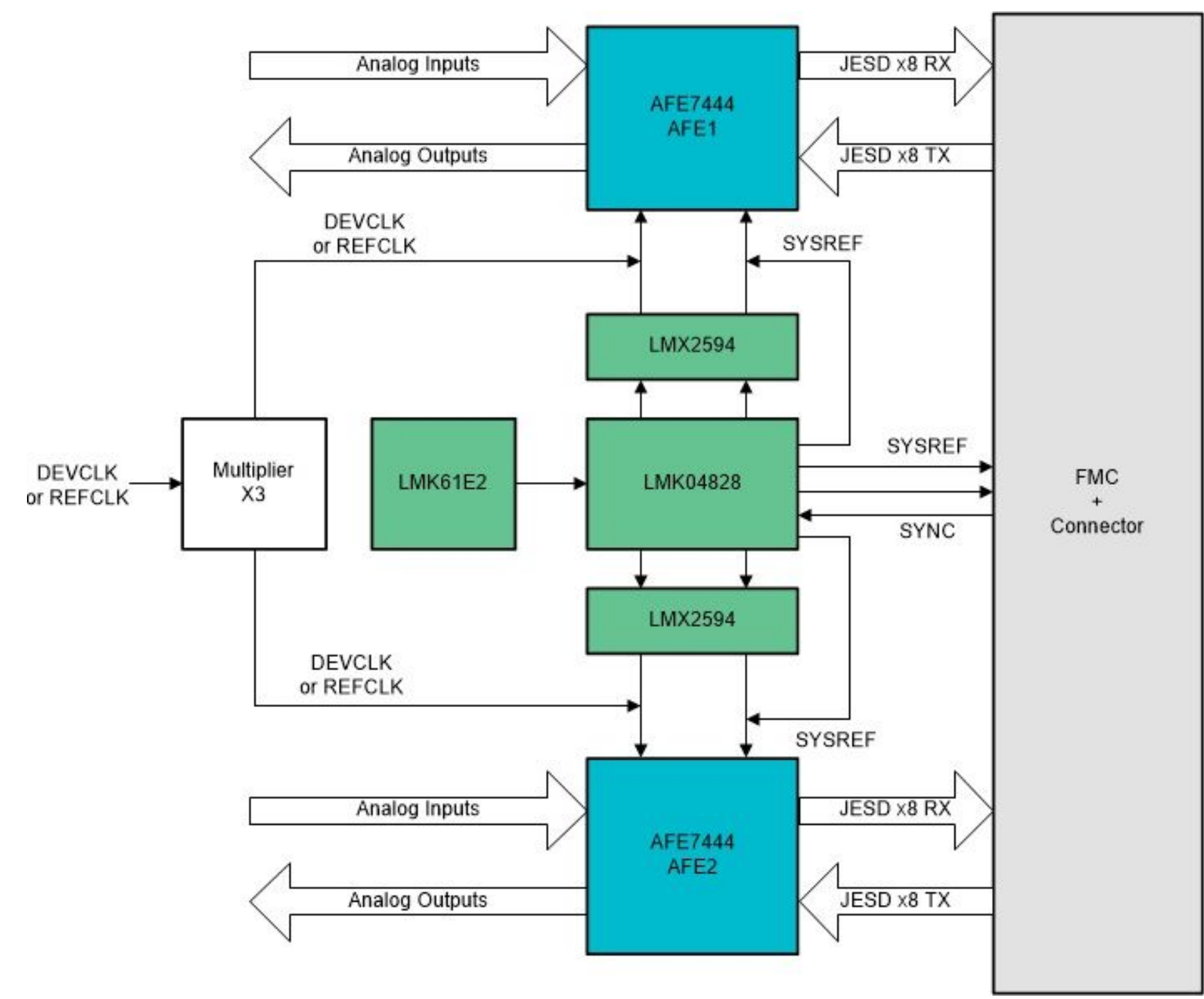


Revision History				
Rev	ECN #	Approved Date	Approved by	Notes
N/A	N/A	N/A	N/A	N/A



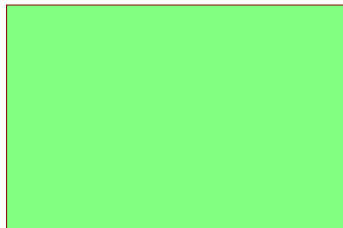
Texas Instruments and/or its licensors do not warrant the accuracy or completeness of this specification or any information contained therein. Texas Instruments and/or its licensors do not warrant that this design will meet the specifications, will be suitable for your application or fit for any particular purpose, or will operate in an implementation. Texas Instruments and/or its licensors do not warrant that the design is production worthy. You should completely validate and test your design implementation to confirm the system functionality for your application.

Orderable: NA	Designed for: Public Release	Mod. Date: 5/31/2019	 http://www.ti.com © Texas Instruments 2018
TID #: 010132	Project Title: TIDA-010132		
Number: TIDA-010132	Rev: E1	Sheet Title:	
SVN Rev: Not in version control	Assembly Variant: 001	Sheet: 1 of 32	
Drawn By: Avinash N	File: 00-CoverSheet_SchDoc	Size: B	
Engineer: Sankar Sadasivam	Contact: http://www.ti.com/support		

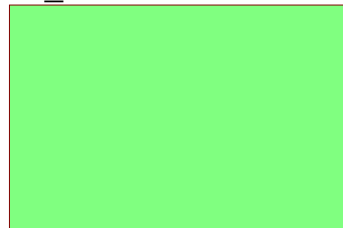
U_01-MAIN-Sheet
01-MAIN-Sheet.SchDoc



CoverSheet
00-CoverSheet.SchDoc



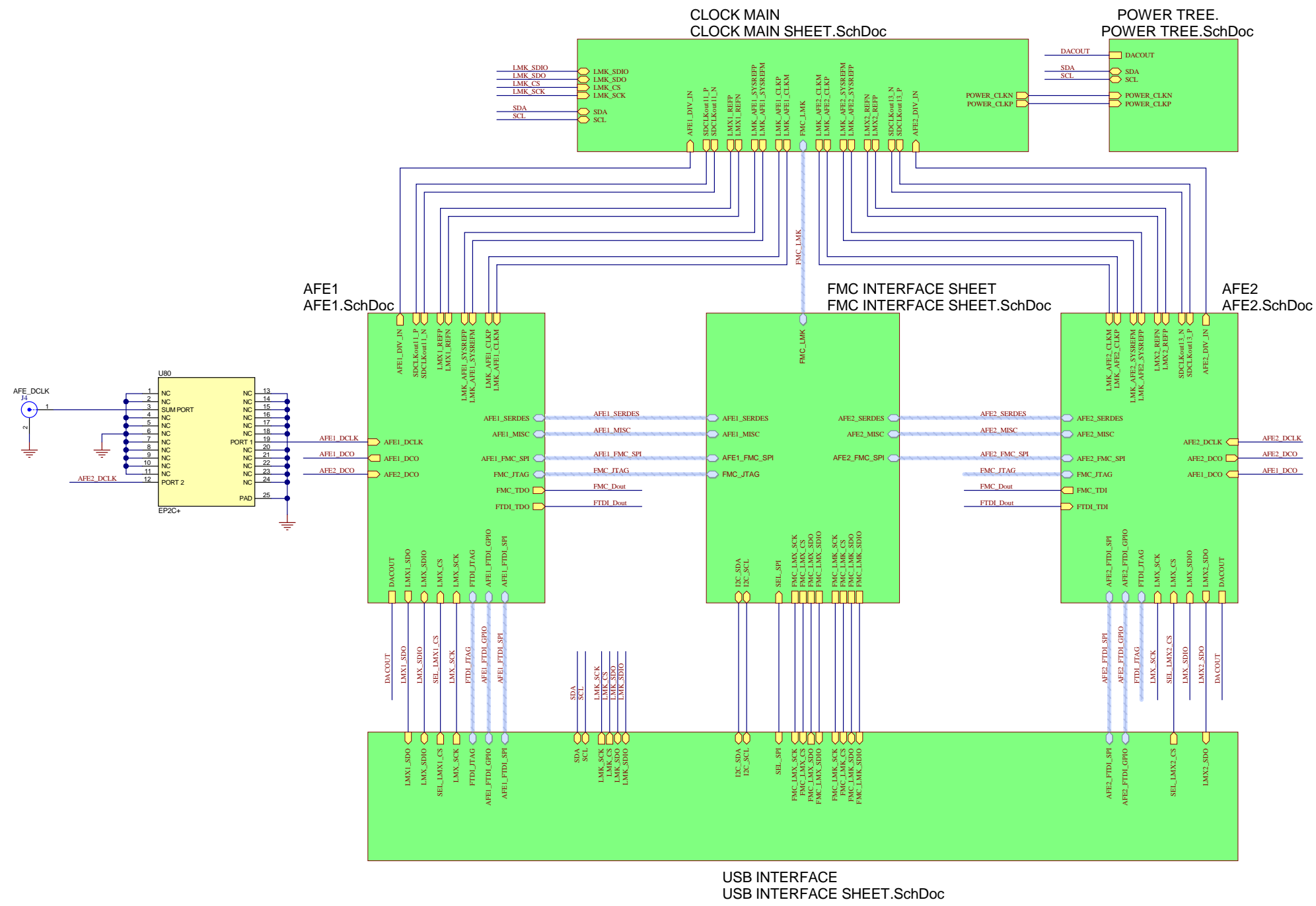
EVM_Hardware
EVM_Hardware.SchDoc



Texas Instruments and/or its licensors do not warrant the accuracy or completeness of this specification or any information contained therein. Texas Instruments and/or its licensors do not warrant that this design will meet the specifications, will be suitable for your application or fit for any particular purpose, or will operate in an implementation. Texas Instruments and/or its licensors do not warrant that the design is production worthy. You should completely validate and test your design implementation to confirm the system functionality for your application.

Orderable: NA	Designed for: Public Release	Mod. Date: 1/31/2019
TID #: 010132	Project Title: TIDA-010132	
Number: TIDA-010132	Rev: E1	Sheet Title:
SVN Rev: Not in version control	Assembly Variant: 001	Sheet: 2 of 32
Drawn By: Avinash N	File: TOPLEVEL MAIN SHEET.SchDoc	Size: B
Engineer: Sankar Sadasivam	Contact: http://www.ti.com/support	

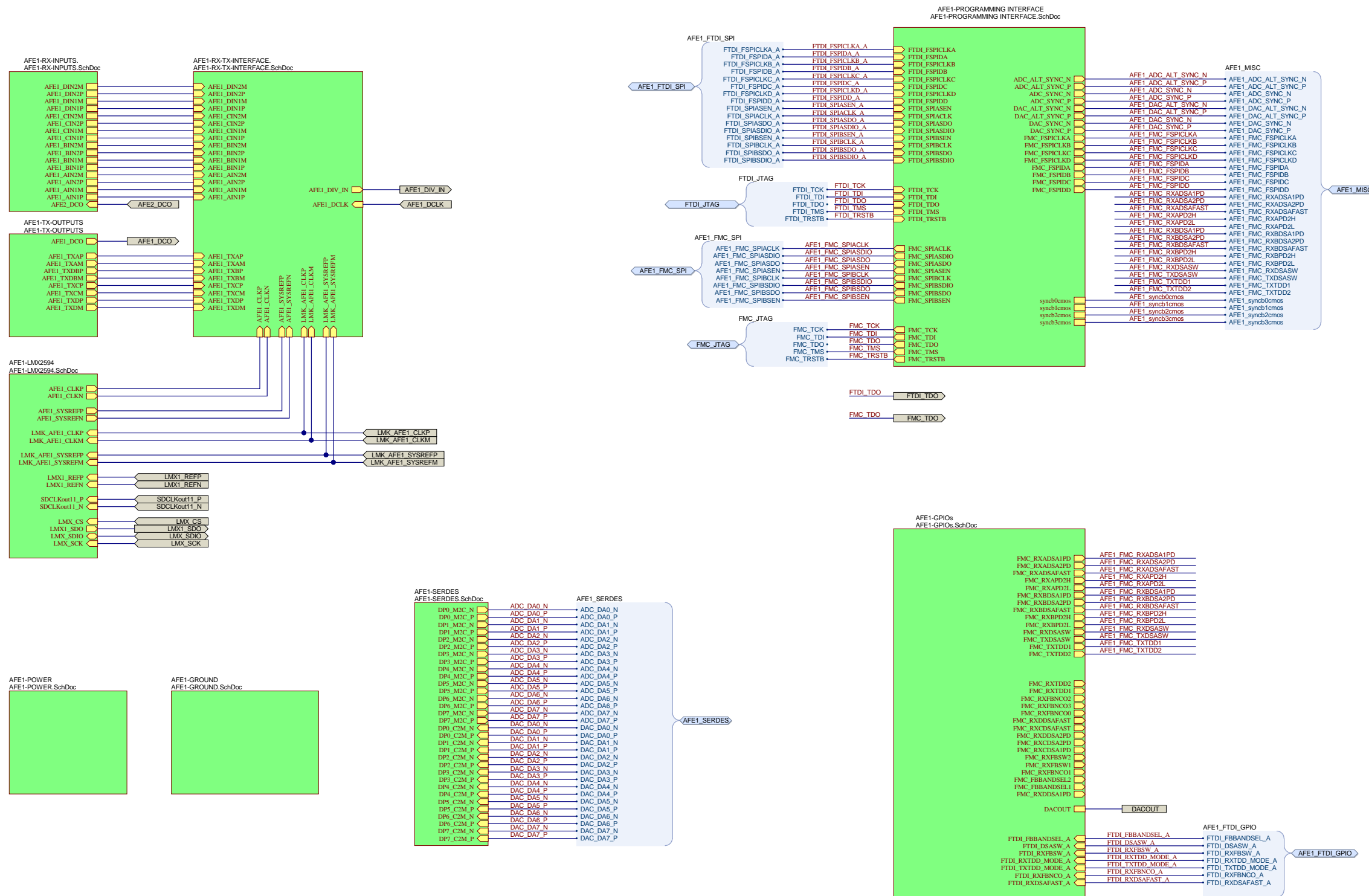




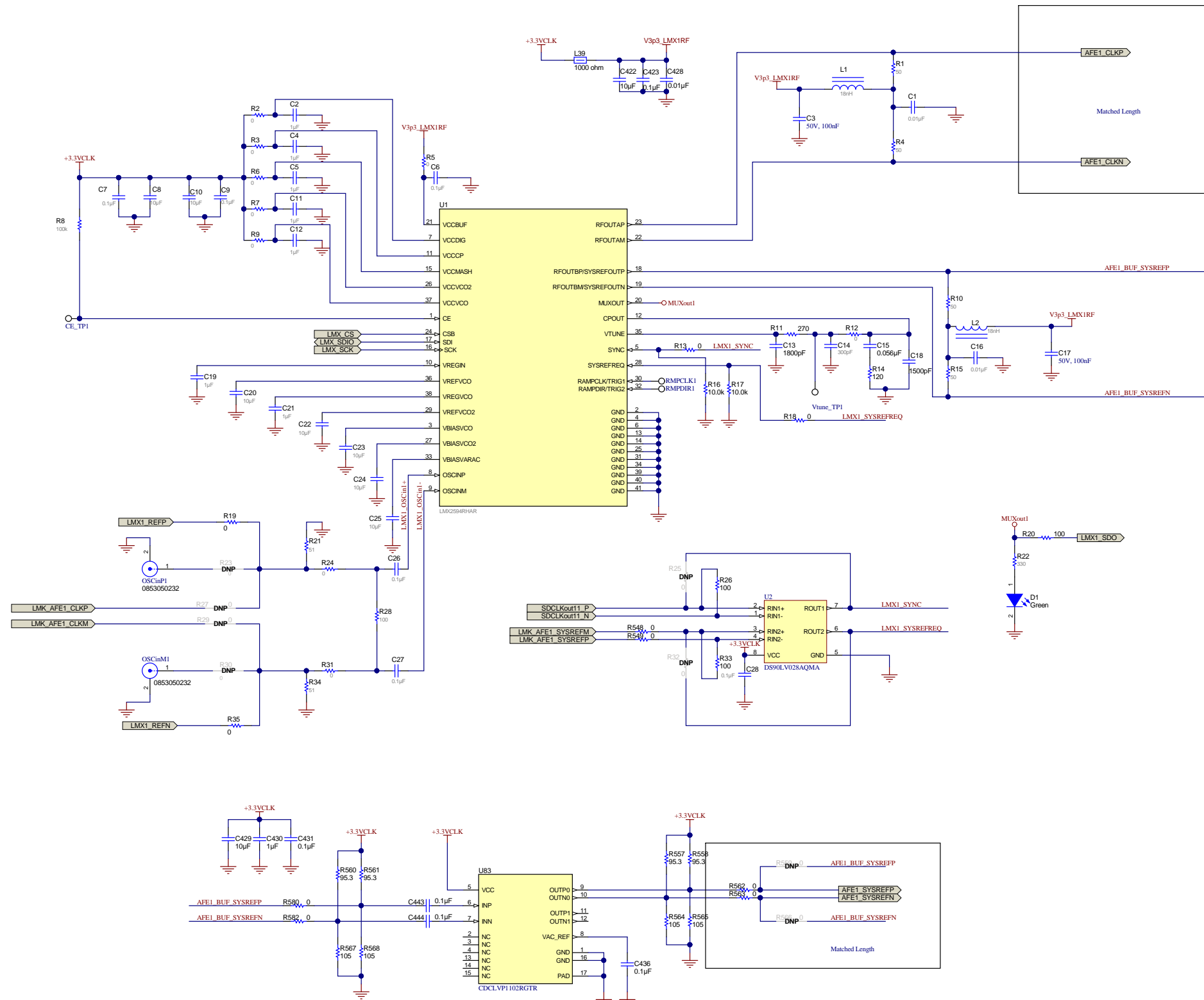
Orderable: NA	Designed for: Public Release	Mod. Date: 1/31/2019
TID #: 010132	Project Title: TIDA-010132	
Number: TIDA-010132	Rev: E1	Sheet Title:
S/N Rev: Not in version control	Assembly Variant: 001	Sheet 3 of 32
Drawn By: Avinash N	File: 01-MAIN-Sheet.SchDoc	Size: C
Engineer: Sankar Sathesivam	Contact: http://www.ti.com/support	

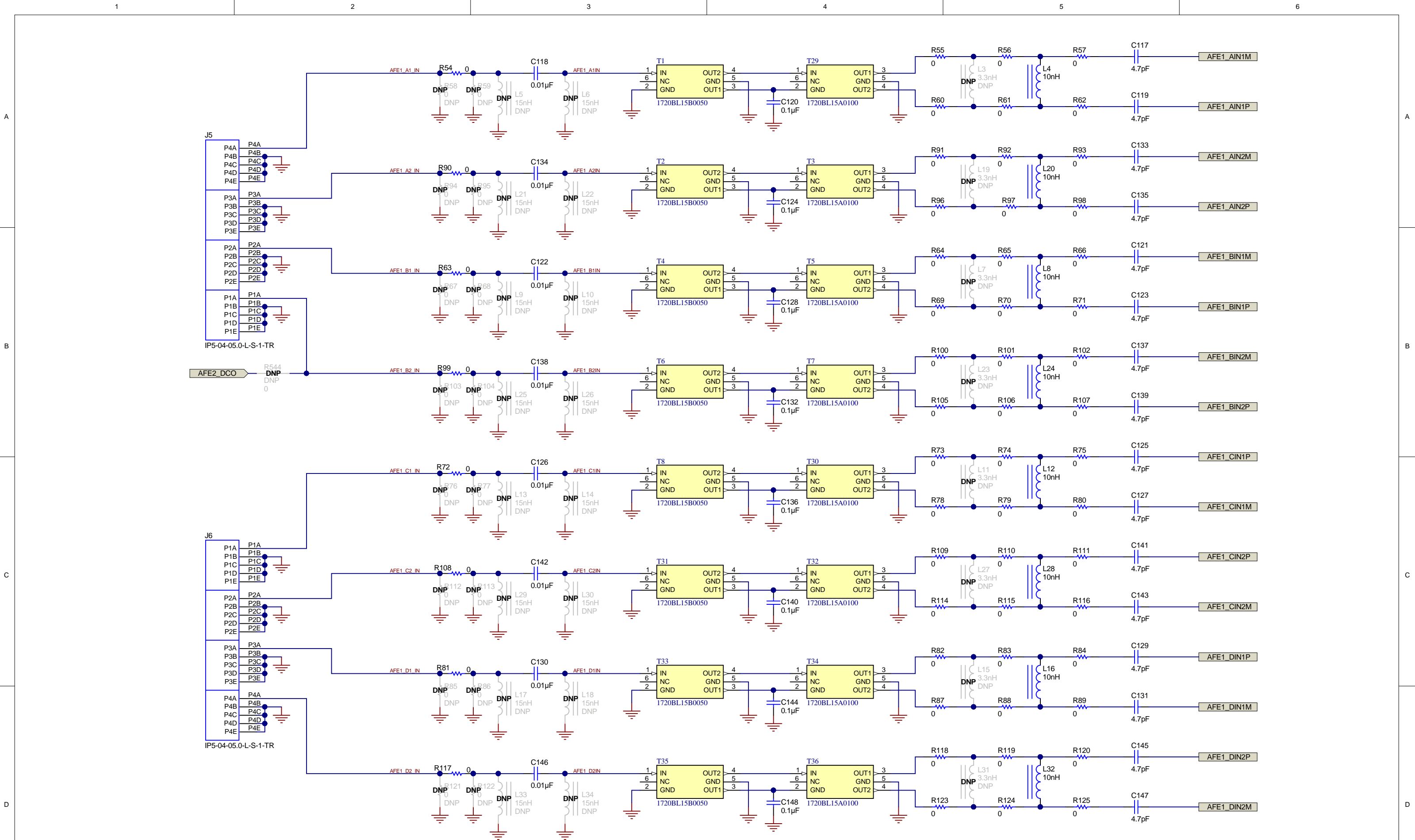
Texas Instruments and/or its licensors do not warrant the accuracy or completeness of this specification or any information contained therein. Texas Instruments and/or its licensors do not warrant that this design will meet the specifications, will be suitable for your application or fit for any particular purpose, or will operate in an implementation. Texas Instruments and/or its licensors do not warrant that the design is production worthy. You should completely validate and test your design implementation to confirm the system functionality for your application.





LMX2594

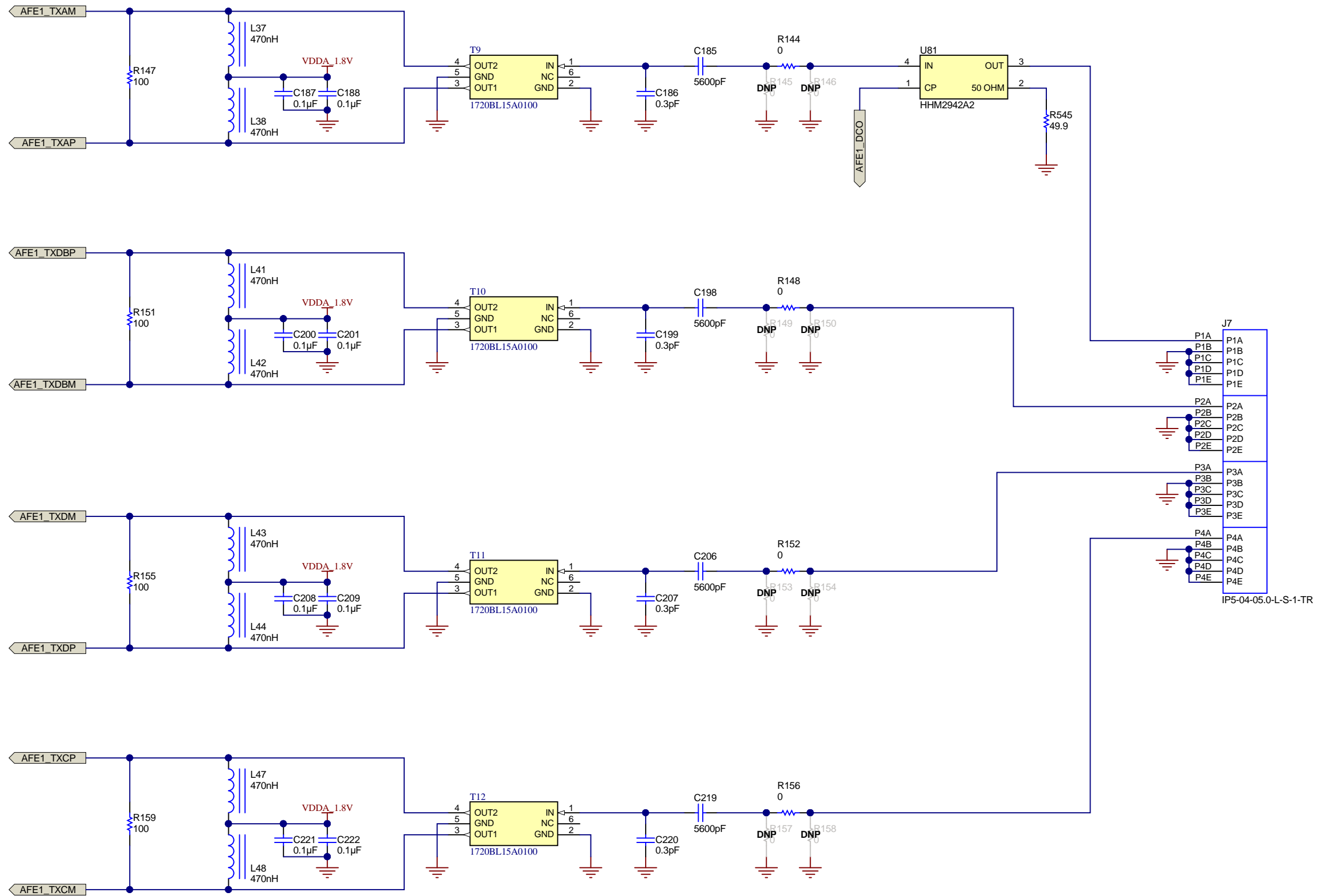




Texas Instruments and/or its licensors do not warrant the accuracy or completeness of this specification or any information contained therein. Texas Instruments and/or its licensors do not warrant that this design will meet the specifications, will be suitable for your application or fit for any particular purpose, or will operate in an implementation. Texas Instruments and/or its licensors do not warrant that the design is production worthy. You should completely validate and test your design implementation to confirm the system functionality for your application.

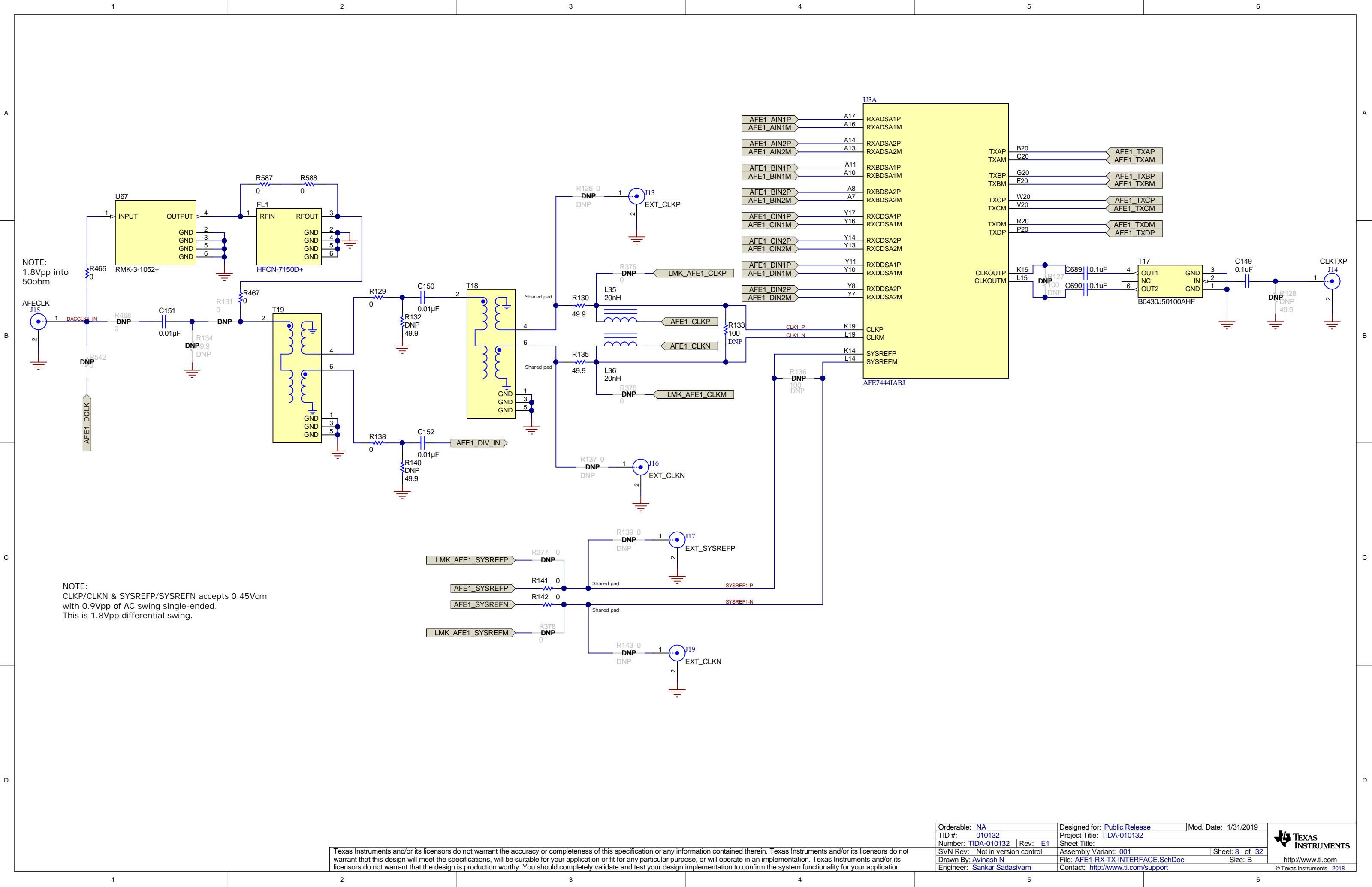
Orderable: NA	Designed for: Public Release	Mod. Date: 1/31/2019
TID #: 010132	Project Title: TIDA-010132	
Number: TIDA-010132	Rev: E1	Sheet Title:
SVN Rev: Not in version control	Assembly Variant: 001	Sheet: 6 of 32
Drawn By: Avinash N	File: AFE1-RX-INPUTS.SchDoc	Size: B
Engineer: Sankar Sadasivam	Contact: http://www.ti.com/support	





Texas Instruments and/or its licensors do not warrant the accuracy or completeness of this specification or any information contained therein. Texas Instruments and/or its licensors do not warrant that this design will meet the specifications, will be suitable for your application or fit for any particular purpose, or will operate in an implementation. Texas Instruments and/or its licensors do not warrant that the design is production worthy. You should completely validate and test your design implementation to confirm the system functionality for your application.

Orderable: NA	Designed for: Public Release	Mod. Date: 1/31/2019
TID #: 010132	Project Title: TIDA-010132	
Number: TIDA-010132	Rev: E1	Sheet Title:
SVN Rev: Not in version control	Assembly Variant: 001	Sheet: 7 of 32
Drawn By: Avinash N	File: AFE1-TX-OUTPUTS.SchDoc	Size: B
Engineer: Sankar Sadasivam	Contact: http://www.ti.com/support	



NOTE:
1.8Vpp into
50ohm

NOTE:
CLKP/CLKN & SYSREFP/SYSREFN accepts 0.45Vcm
with 0.9Vpp of AC swing single-ended.
This is 1.8Vpp differential swing.

Orderable: NA	Designed for: Public Release	Mod. Date: 1/31/2019
TID #: 010132	Project Title: TIDA-010132	
Number: TIDA-010132	Rev: E1	Sheet Title:
SVN Rev: Not in version control	Assembly Variant: 001	Sheet: 8 of 32
Drawn By: Avinash N	File: AFE1-RX-TX-INTERFACE.SchDoc	Size: B
Engineer: Sankar Sadasivam	Contact: http://www.ti.com/support	

Texas Instruments and/or its licensors do not warrant the accuracy or completeness of this specification or any information contained therein. Texas Instruments and/or its licensors do not warrant that this design will meet the specifications, will be suitable for your application or fit for any particular purpose, or will operate in an implementation. Texas Instruments and/or its licensors do not warrant that the design is production worthy. You should completely validate and test your design implementation to confirm the system functionality for your application.



© Texas Instruments 2018

A

A

B

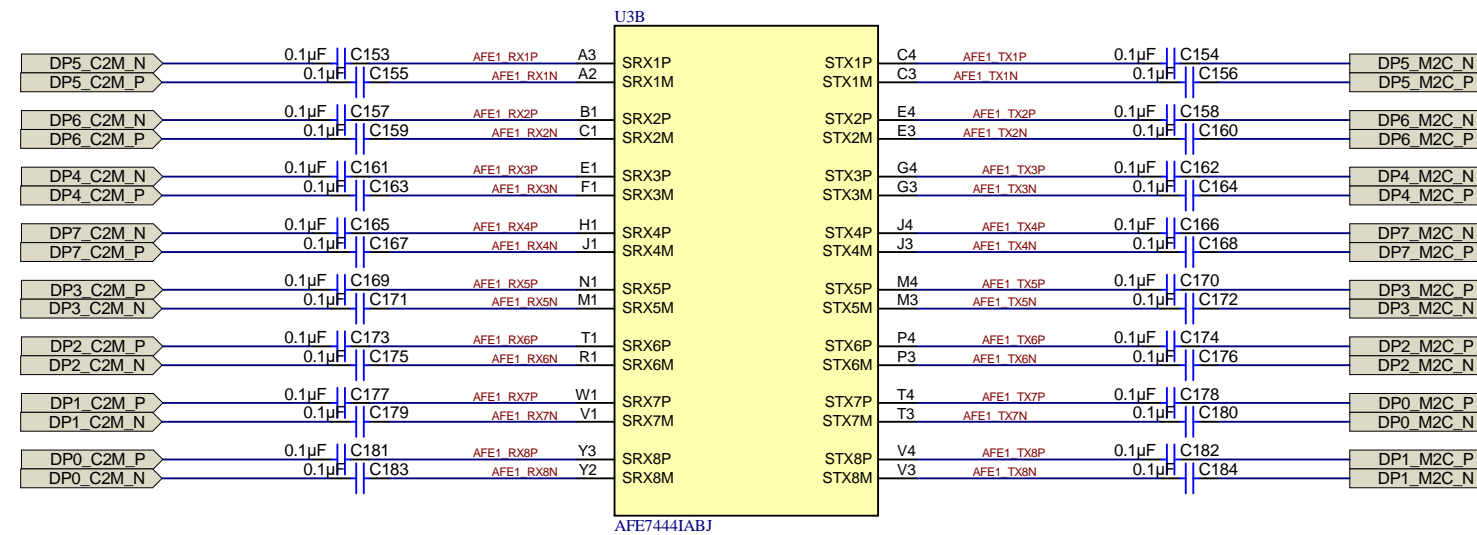
B

C

C

D

D



CARRIER = TSW14J56/TSW14J57
 MEZZANINE = EVM
 M2C = Mezzanine to Carrier
 C2M = Carrier to Mezzanine

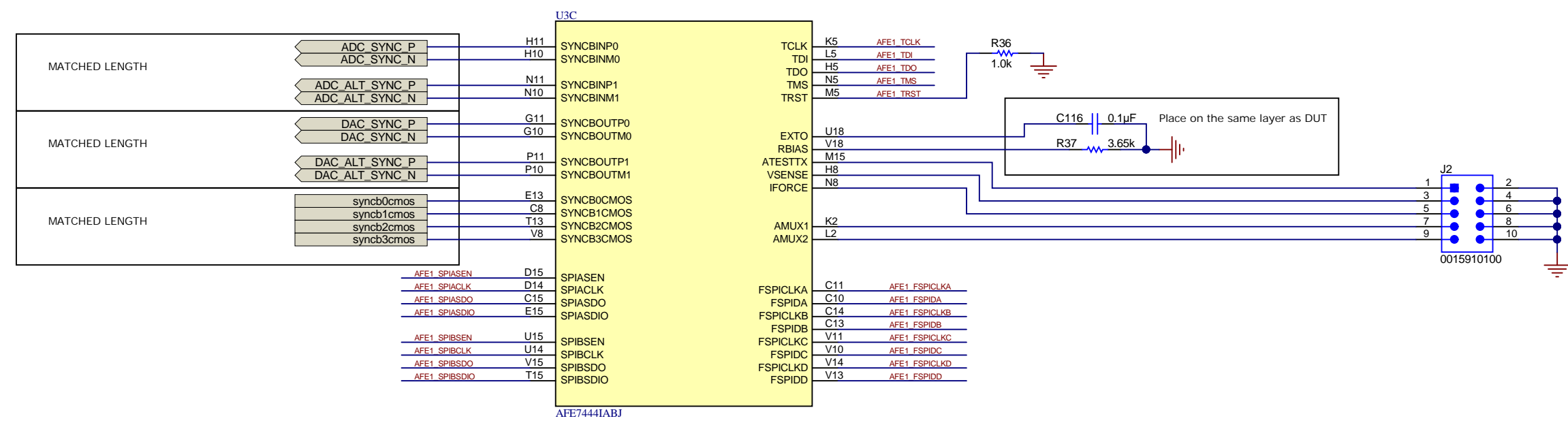
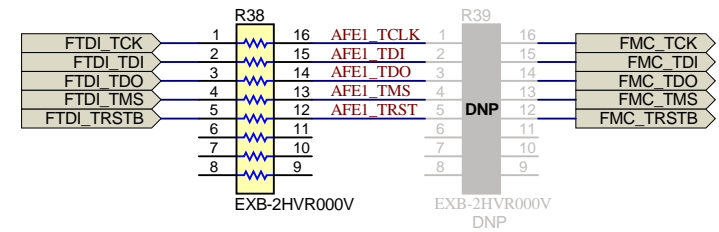
Texas Instruments and/or its licensors do not warrant the accuracy or completeness of this specification or any information contained therein. Texas Instruments and/or its licensors do not warrant that this design will meet the specifications, will be suitable for your application or fit for any particular purpose, or will operate in an implementation. Texas Instruments and/or its licensors do not warrant that the design is production worthy. You should completely validate and test your design implementation to confirm the system functionality for your application.

Orderable: NA	Designed for: Public Release	Mod. Date: 1/31/2019
TID #: 010132	Project Title: TIDA-010132	
Number: TIDA-010132	Rev: E1	Sheet Title:
SVN Rev: Not in version control	Assembly Variant: 001	Sheet: 9 of 32
Drawn By: Avinash N	File: AFE1-SERDES.SchDoc	Size: B
Engineer: Sankar Sadasivam	Contact: http://www.ti.com/support	



A

A

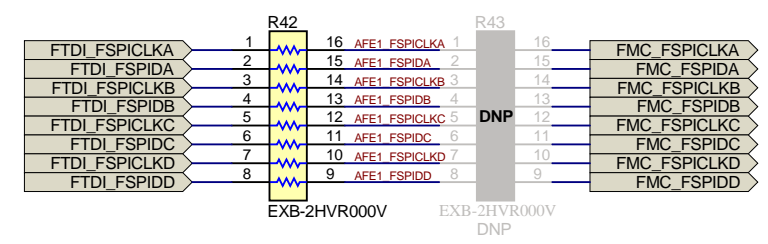
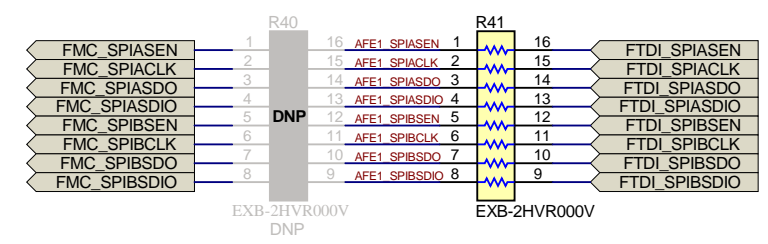


B

B

C

C



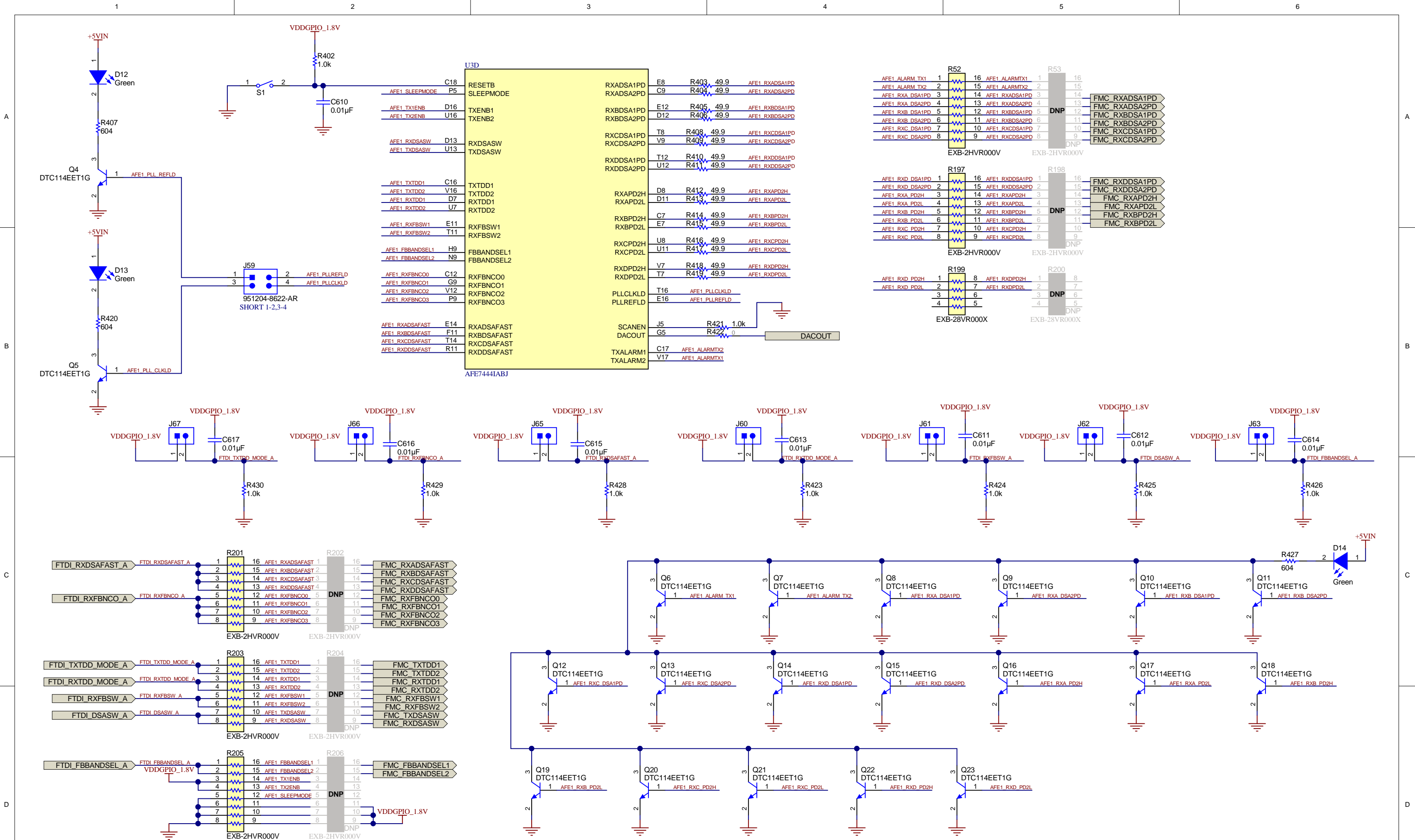
D

D

Texas Instruments and/or its licensors do not warrant the accuracy or completeness of this specification or any information contained therein. Texas Instruments and/or its licensors do not warrant that this design will meet the specifications, will be suitable for your application or fit for any particular purpose, or will operate in an implementation. Texas Instruments and/or its licensors do not warrant that the design is production worthy. You should completely validate and test your design implementation to confirm the system functionality for your application.

Orderable: NA	Designed for: Public Release	Mod. Date: 1/31/2019
TID #: 010132	Project Title: TIDA-010132	
Number: TIDA-010132	Rev: E1	Sheet Title:
SVN Rev: Not in version control	Assembly Variant: 001	Sheet: 10 of 32
Drawn By: Avinash N	File: AFE1-PROGRAMMING INTERFACE.SchDoc	Size: B
Engineer: Sankar Sadasivam	Contact: http://www.ti.com/support	





Texas Instruments and/or its licensors do not warrant the accuracy or completeness of this specification or any information contained therein. Texas Instruments and/or its licensors do not warrant that this design will meet the specifications, will be suitable for your application or fit for any particular purpose, or will operate in an implementation. Texas Instruments and/or its licensors do not warrant that the design is production worthy. You should completely validate and test your design implementation to confirm the system functionality for your application.

Orderable: NA	Designed for: Public Release	Mod. Date: 1/31/2019
TID #: 010132	Project Title: TIDA-010132	
Number: TIDA-010132	Rev: E1	Sheet Title:
SVN Rev: Not in version control	Assembly Variant: 001	Sheet: 11 of 32
Drawn By: Avinash N	File: AFE1-GPIOs.SchDoc	Size: B
Engineer: Sankar Sadasivam	Contact: http://www.ti.com/support	



A

B

C

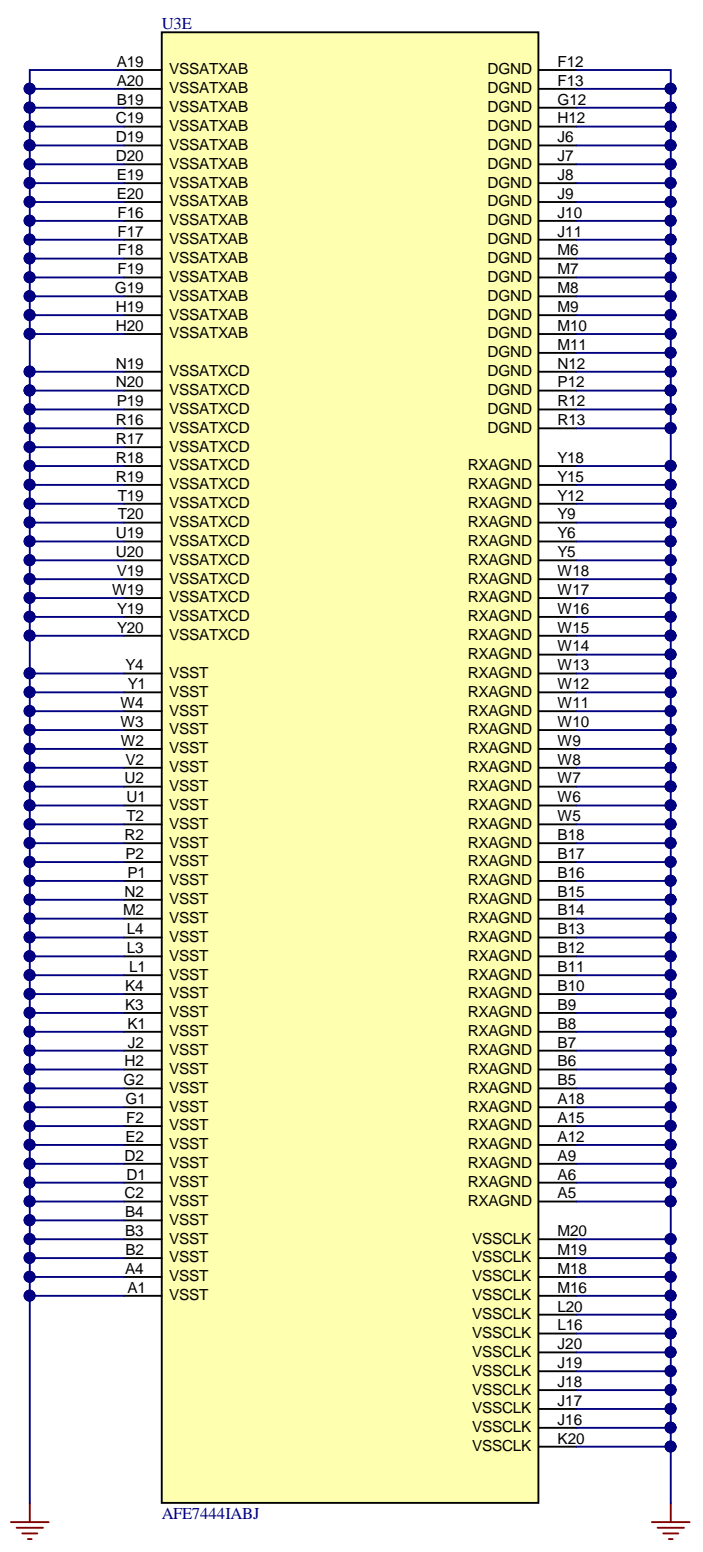
D

A

B

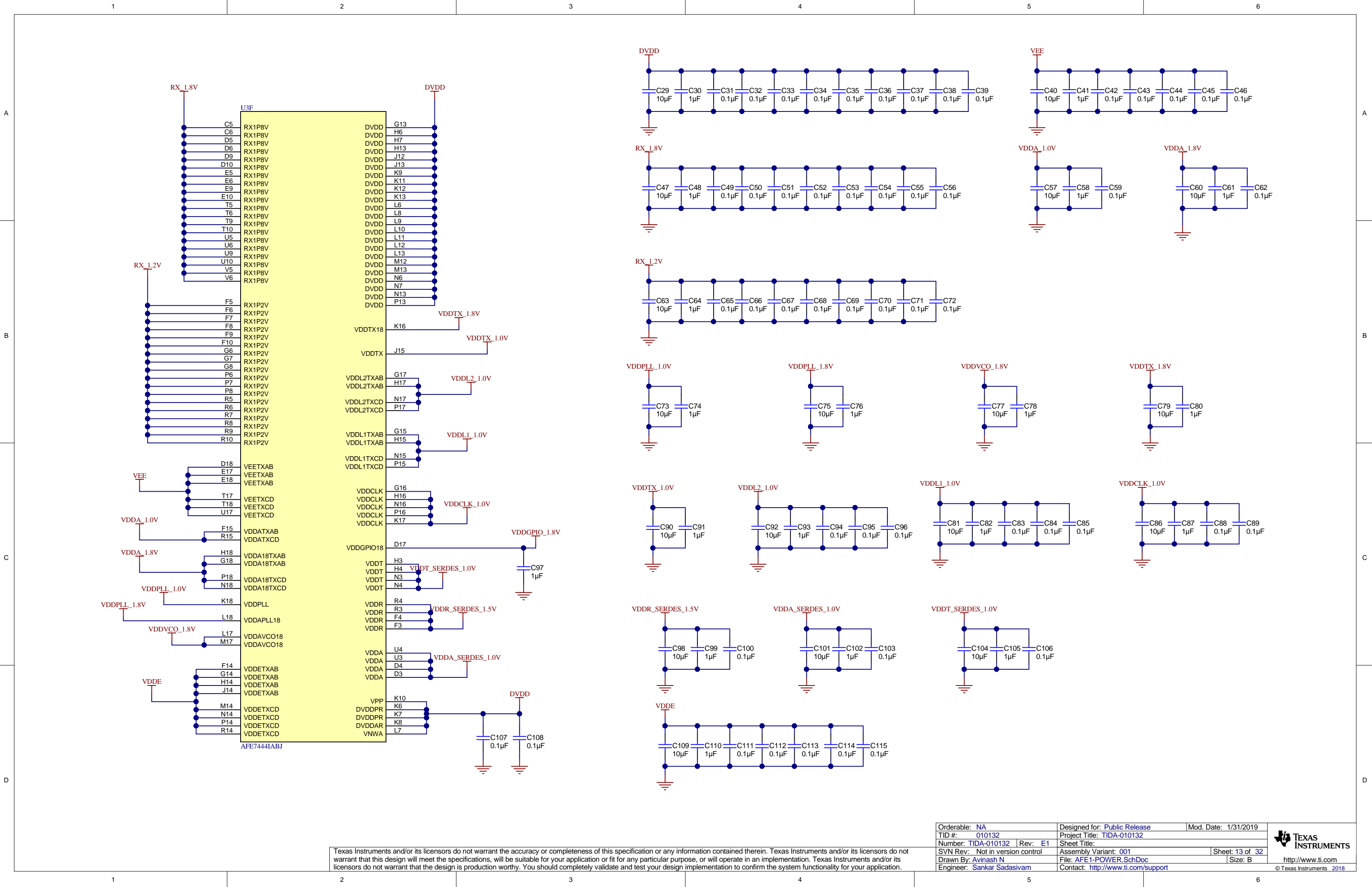
C

D



Texas Instruments and/or its licensors do not warrant the accuracy or completeness of this specification or any information contained therein. Texas Instruments and/or its licensors do not warrant that this design will meet the specifications, will be suitable for your application or fit for any particular purpose, or will operate in an implementation. Texas Instruments and/or its licensors do not warrant that the design is production worthy. You should completely validate and test your design implementation to confirm the system functionality for your application.

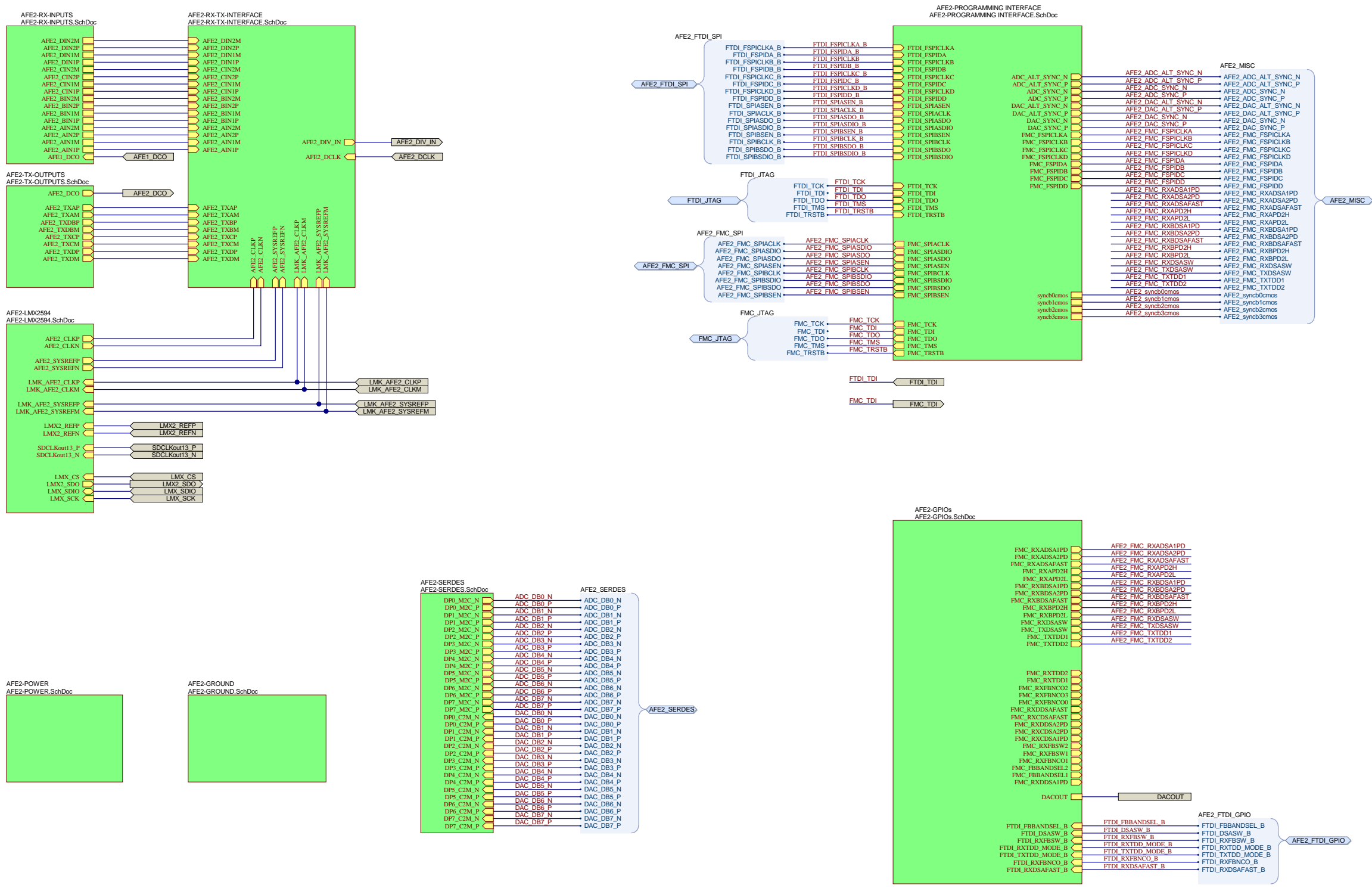
Orderable: NA	Designed for: Public Release	Mod. Date: 1/31/2019	<p>TEXAS INSTRUMENTS http://www.ti.com © Texas Instruments 2018</p>
TID #: 010132	Project Title: TIDA-010132		
Number: TIDA-010132	Rev: E1	Sheet: 12 of 32	
SVN Rev: Not in version control	Assembly Variant: 001	Size: B	
Drawn By: Avinash N	File: AFE1-GROUND_SchDoc	Contact: http://www.ti.com/support	



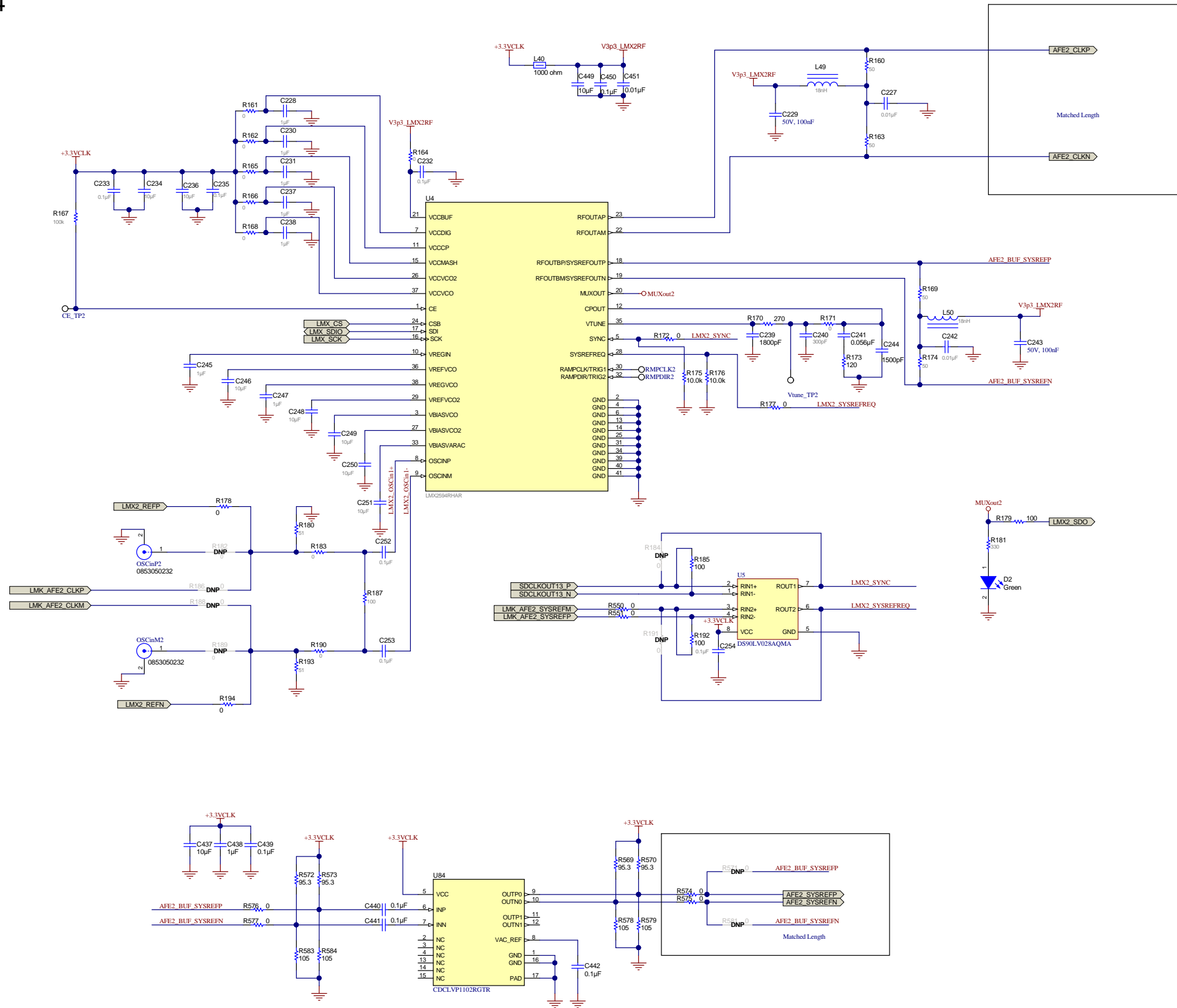
Texas Instruments and/or its licensors do not warrant the accuracy or completeness of this specification or any information contained therein. Texas Instruments and/or its licensors do not warrant that this design will meet the specifications, will be suitable for your application or fit for any particular purpose, or will operate in an implementation. Texas Instruments and/or its licensors do not warrant that the design is production worthy. You should completely validate and test your design implementation to confirm the system functionality for your application.

Orderable: NA	Designed for: Public Release	Mod. Date: 1/31/2019
TID #: 010132	Project Title: TIDA-010132	
Number: TIDA-010132	Rev: E1	Sheet Title:
SVN Rev: Not in version control	Assembly Variant: 001	Sheet: 13 of 32
Drawn By: Avinash N	File: AFE1-POWER_SchDoc	Size: B
Engineer: Sankar Sadasivam	Contact: http://www.ti.com/support	



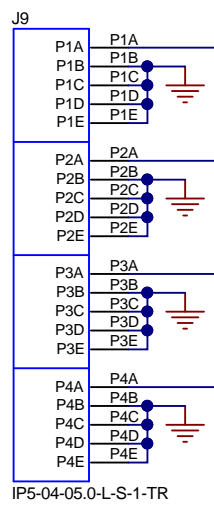
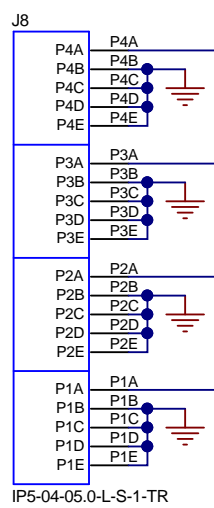
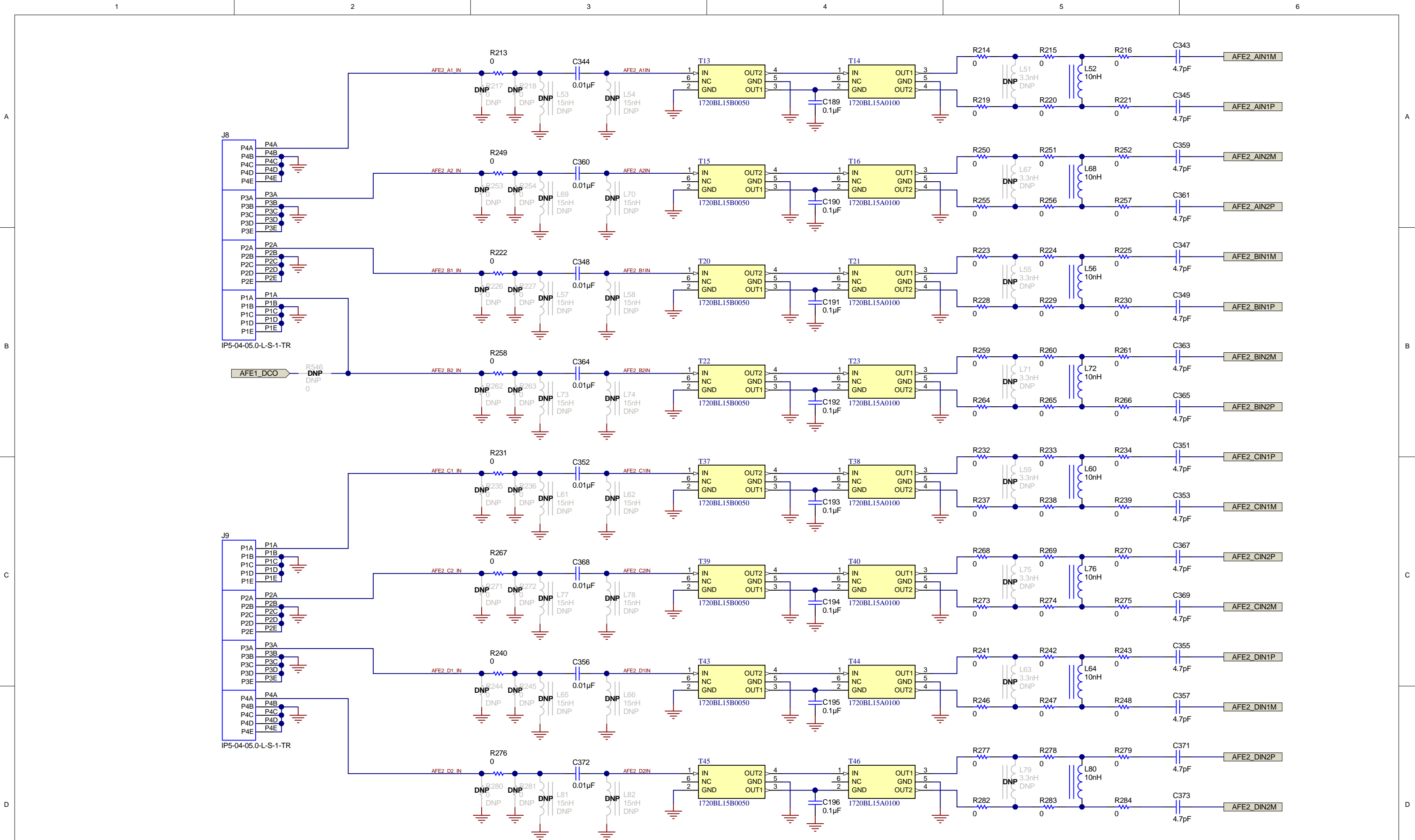


LMX2594



Texas Instruments and/or its licensors do not warrant the accuracy or completeness of this specification or any information contained therein. Texas Instruments and/or its licensors do not warrant that this design will meet the specifications, will be suitable for your application or fit for any particular purpose, or will operate in an implementation. Texas Instruments and/or its licensors do not warrant that the design is production worthy. You should completely validate and test your design implementation to confirm the system functionality for your application.

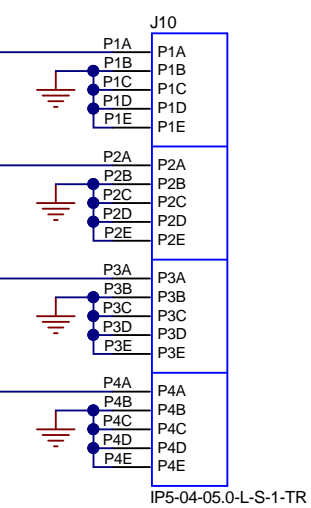
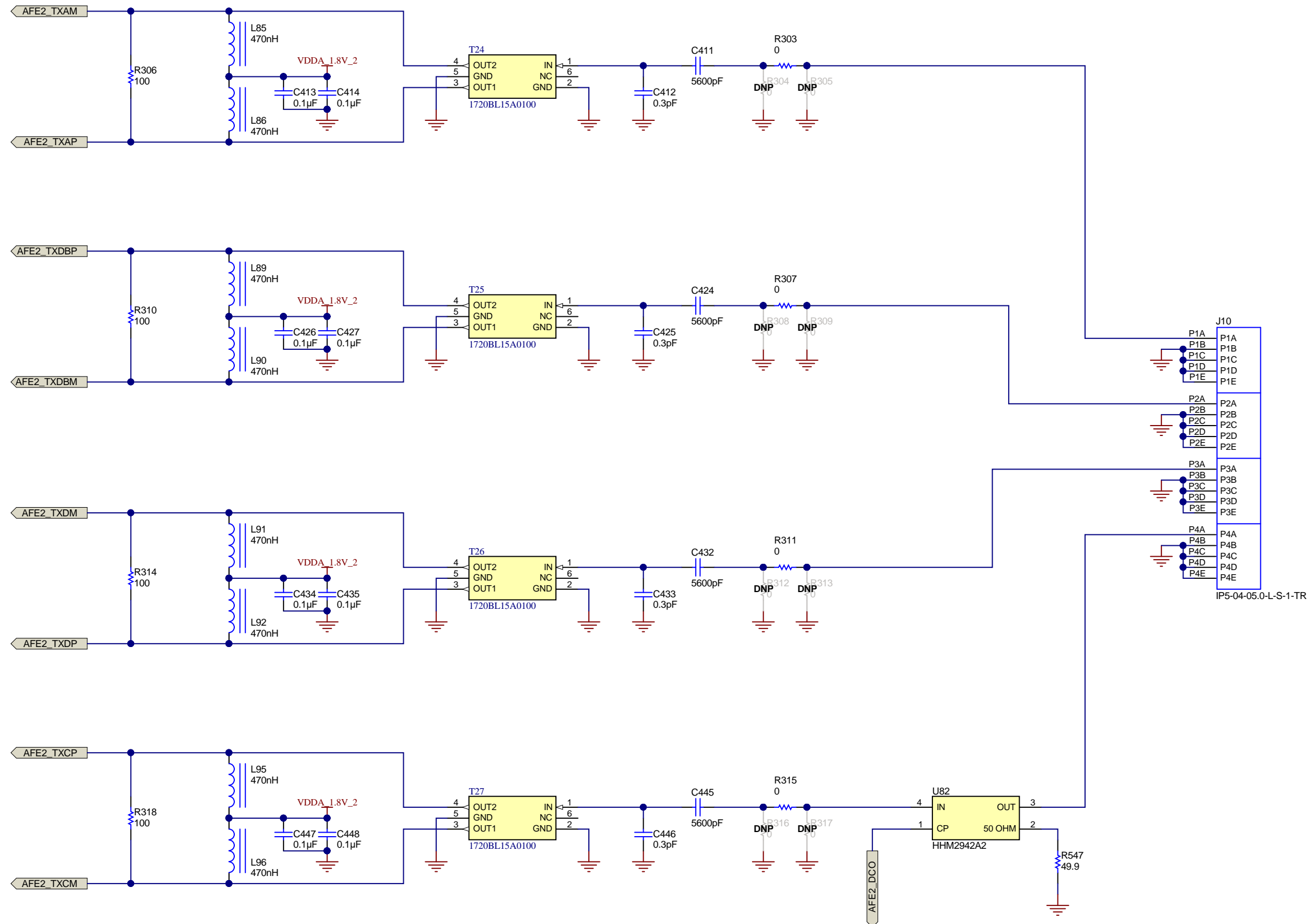




Orderable: NA	Designed for: Public Release	Mod. Date: 1/31/2019
TID #: 010132	Project Title: TIDA-010132	
Number: TIDA-010132	Rev: E1	Sheet Title:
SVN Rev: Not in version control	Assembly Variant: 001	Sheet: 16 of 32
Drawn By: Avinash N	File: AFE2-RX-INPUTS.SchDoc	Size: B
Engineer: Sankar Sadasivam	Contact: http://www.ti.com/support	

Texas Instruments and/or its licensors do not warrant the accuracy or completeness of this specification or any information contained therein. Texas Instruments and/or its licensors do not warrant that this design will meet the specifications, will be suitable for your application or fit for any particular purpose, or will operate in an implementation. Texas Instruments and/or its licensors do not warrant that the design is production worthy. You should completely validate and test your design implementation to confirm the system functionality for your application.



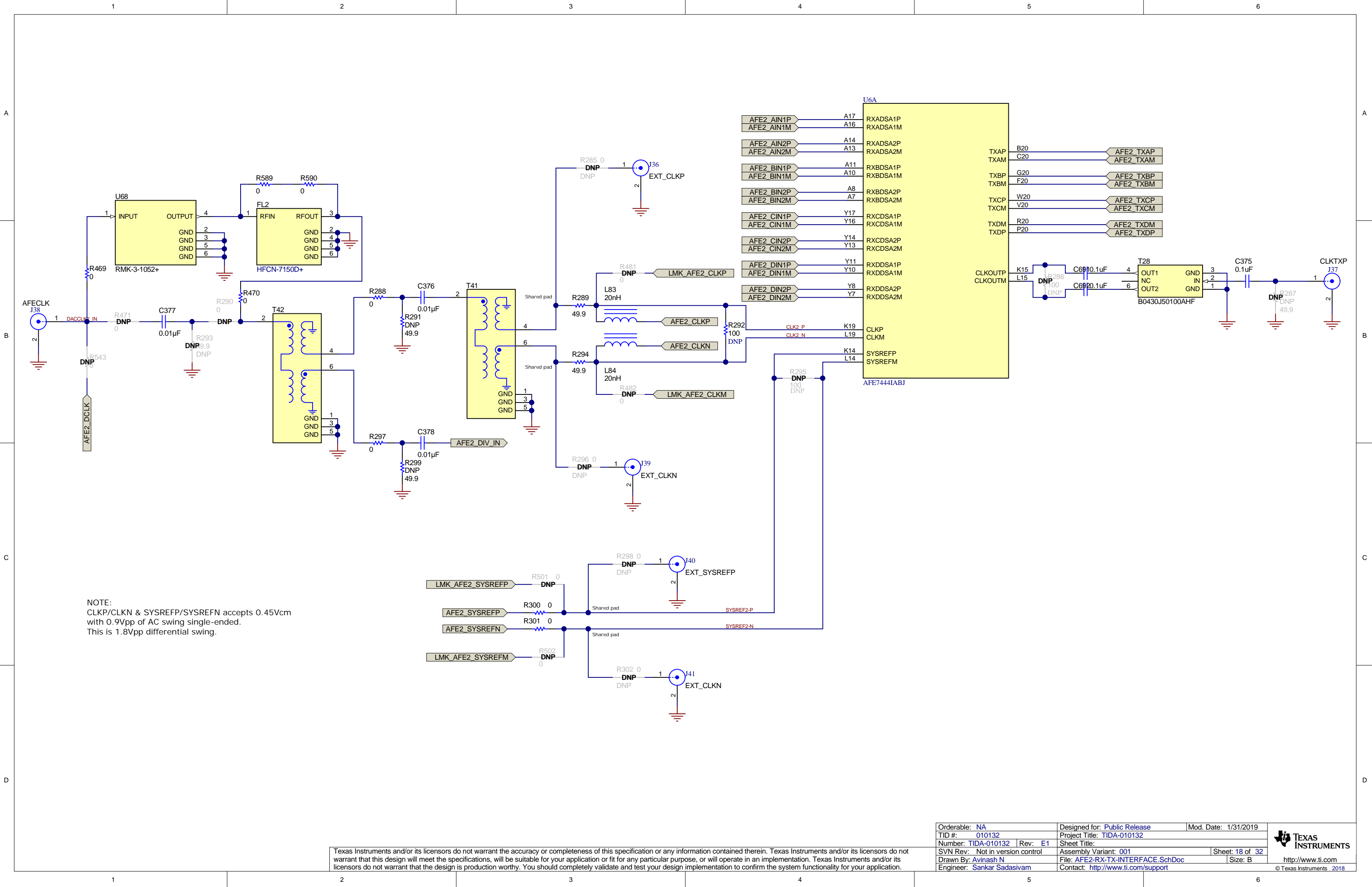


Texas Instruments and/or its licensors do not warrant the accuracy or completeness of this specification or any information contained therein. Texas Instruments and/or its licensors do not warrant that this design will meet the specifications, will be suitable for your application or fit for any particular purpose, or will operate in an implementation. Texas Instruments and/or its licensors do not warrant that the design is production worthy. You should completely validate and test your design implementation to confirm the system functionality for your application.

Orderable: NA	Designed for: Public Release	Mod. Date: 1/31/2019
TID #: 010132	Project Title: TIDA-010132	
Number: TIDA-010132	Rev: E1	Sheet Title:
SVN Rev: Not in version control	Assembly Variant: 001	Sheet: 17 of 32
Drawn By: Avinash N	File: AFE2-TX-OUTPUTS.SchDoc	Size: B
Engineer: Sankar Sadasivam	Contact: http://www.ti.com/support	



© Texas Instruments 2018



NOTE:
 CLKP/CLKM & SYSREFP/SYSREFM accepts 0.45Vcm
 with 0.9Vpp of AC swing single-ended.
 This is 1.8Vpp differential swing.

Texas Instruments and/or its licensors do not warrant the accuracy or completeness of this specification or any information contained therein. Texas Instruments and/or its licensors do not warrant that this design will meet the specifications, will be suitable for your application or fit for any particular purpose, or will operate in an implementation. Texas Instruments and/or its licensors do not warrant that the design is production worthy. You should completely validate and test your design implementation to confirm the system functionality for your application.

Orderable: NA	Designed for: Public Release	Mod. Date: 1/31/2019
TID #: 010132	Project Title: TIDA-010132	
Number: TIDA-010132	Rev: E1	Sheet Title:
SVN Rev: Not in version control	Assembly Variant: 001	Sheet: 18 of 32
Drawn By: Avinash N	File: AFE2-RX-TX-INTERFACE.SchDoc	Size: B
Engineer: Sankar Sadasivam	Contact: http://www.ti.com/support	



© Texas Instruments 2018

A

B

C

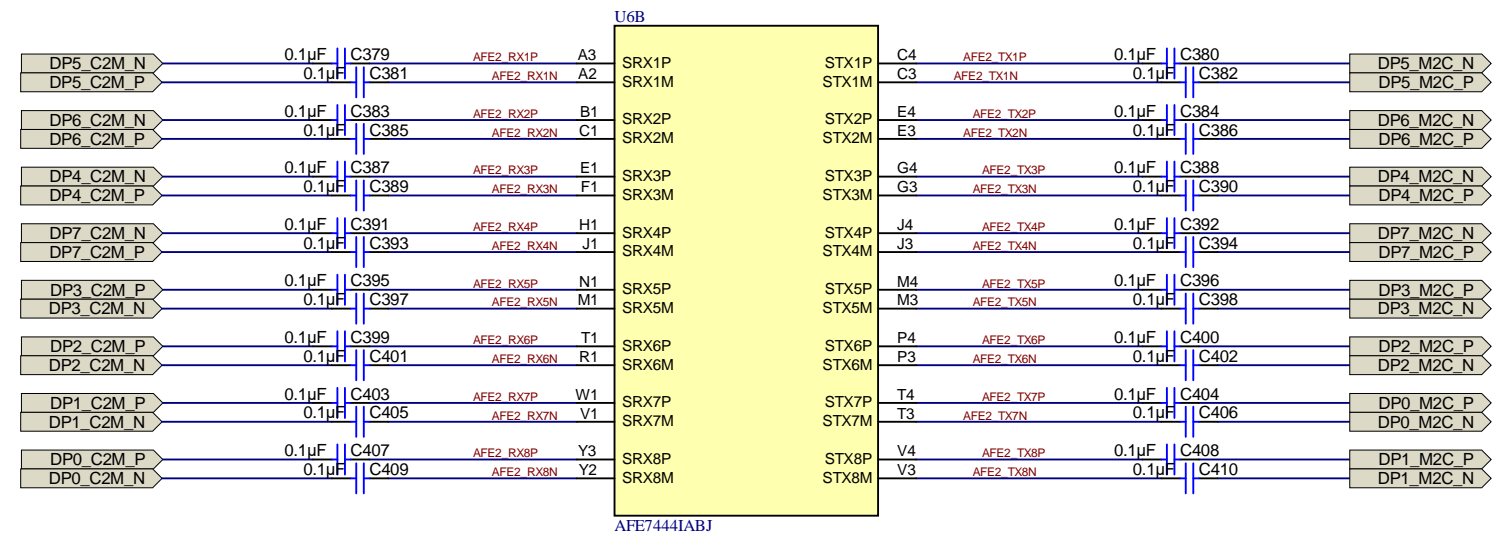
D

A

B

C

D



CARRIER = TSW14J56/TSW14J57
 MEZZANINE = EVM
 M2C = Mezzanine to Carrier
 C2M = Carrier to Mezzanine

Texas Instruments and/or its licensors do not warrant the accuracy or completeness of this specification or any information contained therein. Texas Instruments and/or its licensors do not warrant that this design will meet the specifications, will be suitable for your application or fit for any particular purpose, or will operate in an implementation. Texas Instruments and/or its licensors do not warrant that the design is production worthy. You should completely validate and test your design implementation to confirm the system functionality for your application.

Orderable: NA	Designed for: Public Release	Mod. Date: 1/31/2019
TID #: 010132	Project Title: TIDA-010132	
Number: TIDA-010132	Rev: E1	Sheet Title:
SVN Rev: Not in version control	Assembly Variant: 001	Sheet: 19 of 32
Drawn By: Avinash N	File: AFE2-SERDES.SchDoc	Size: B
Engineer: Sankar Sadasivam	Contact: http://www.ti.com/support	

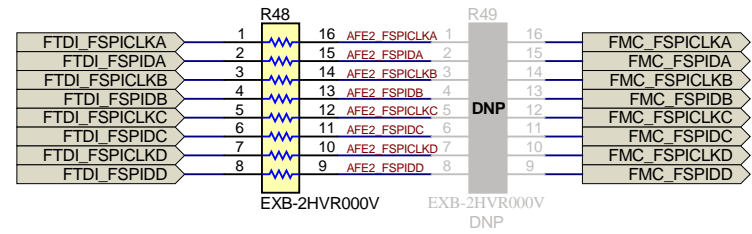
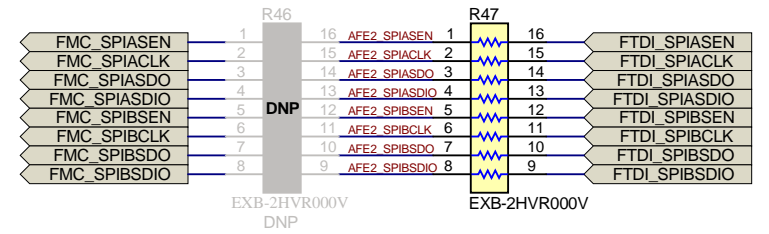
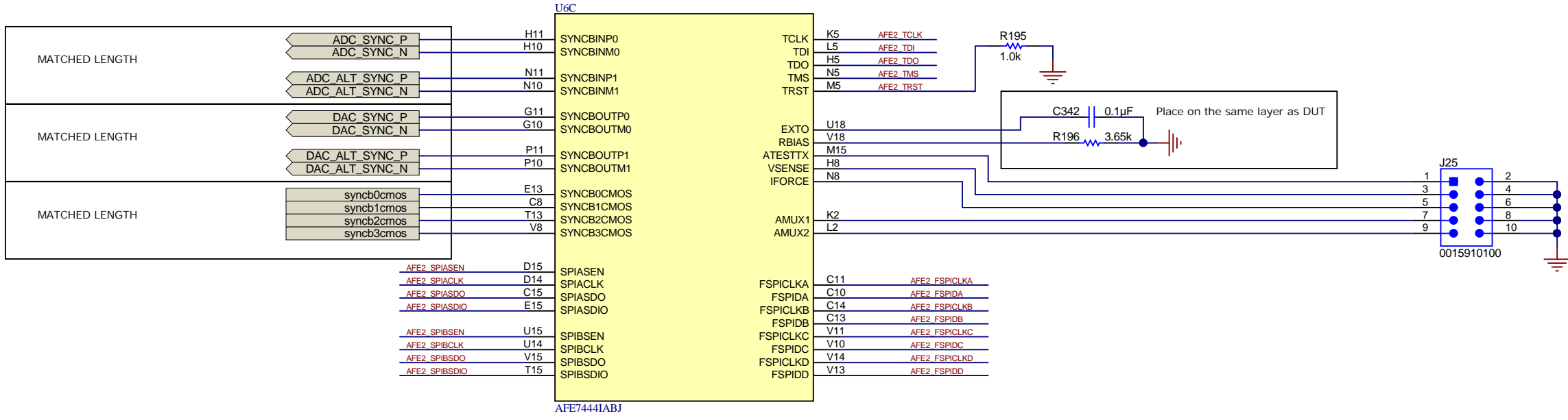
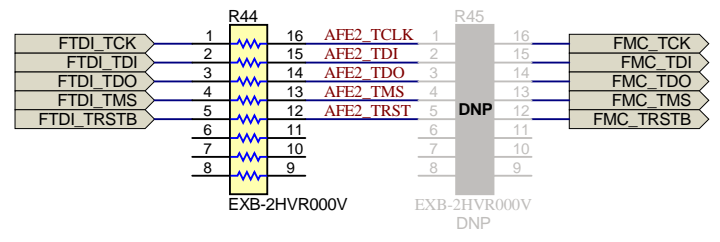


A

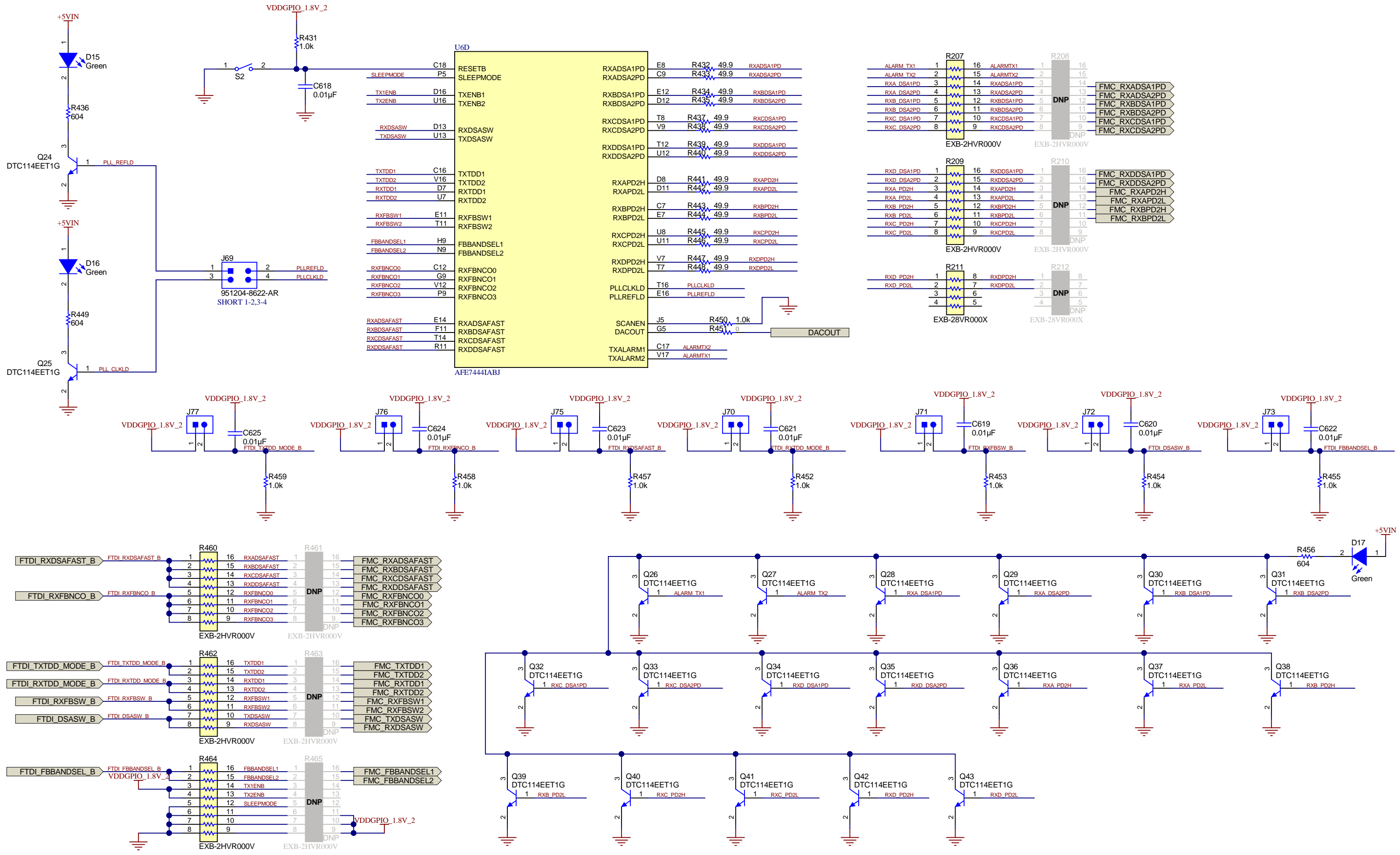
B

C

D



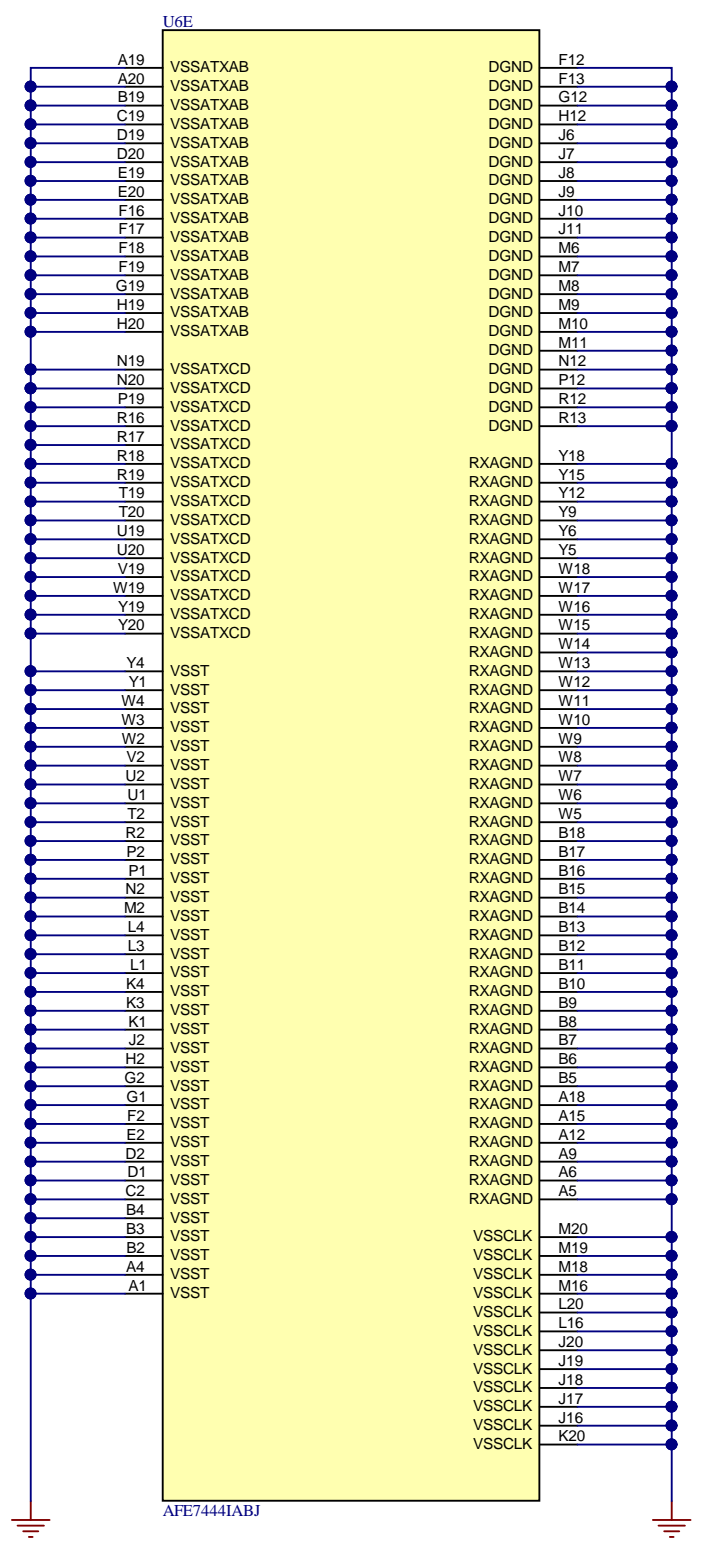
Texas Instruments and/or its licensors do not warrant the accuracy or completeness of this specification or any information contained therein. Texas Instruments and/or its licensors do not warrant that this design will meet the specifications, will be suitable for your application or fit for any particular purpose, or will operate in an implementation. Texas Instruments and/or its licensors do not warrant that the design is production worthy. You should completely validate and test your design implementation to confirm the system functionality for your application.



Texas Instruments and/or its licensors do not warrant the accuracy or completeness of this specification or any information contained therein. Texas Instruments and/or its licensors do not warrant that this design will meet the specifications, will be suitable for your application or fit for any particular purpose, or will operate in an implementation. Texas Instruments and/or its licensors do not warrant that the design is production worthy. You should completely validate and test your design implementation to confirm the system functionality for your application.

Orderable: NA	Designed for: Public Release	Mod. Date: 1/31/2019
TID #: 010132	Project Title: TIDA-010132	
Number: TIDA-010132	Rev: E1	Sheet Title:
SVN Rev: Not in version control	Assembly Variant: 001	Sheet: 21 of 32
Drawn By: Avinash N	File: AFE2-GPIOs.SchDoc	Size: B
Engineer: Sankar Sadasivam	Contact: http://www.ti.com/support	

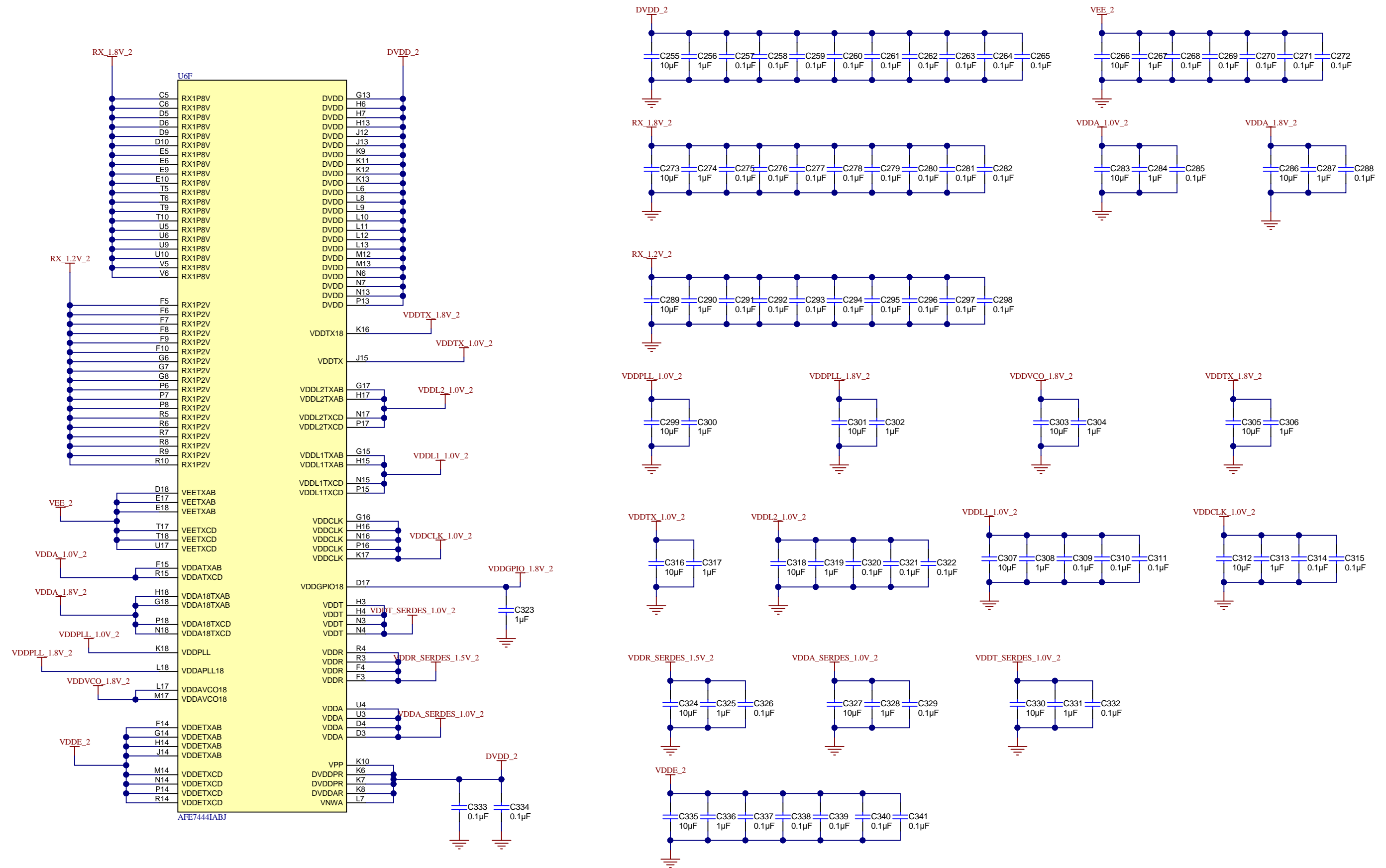




Texas Instruments and/or its licensors do not warrant the accuracy or completeness of this specification or any information contained therein. Texas Instruments and/or its licensors do not warrant that this design will meet the specifications, will be suitable for your application or fit for any particular purpose, or will operate in an implementation. Texas Instruments and/or its licensors do not warrant that the design is production worthy. You should completely validate and test your design implementation to confirm the system functionality for your application.

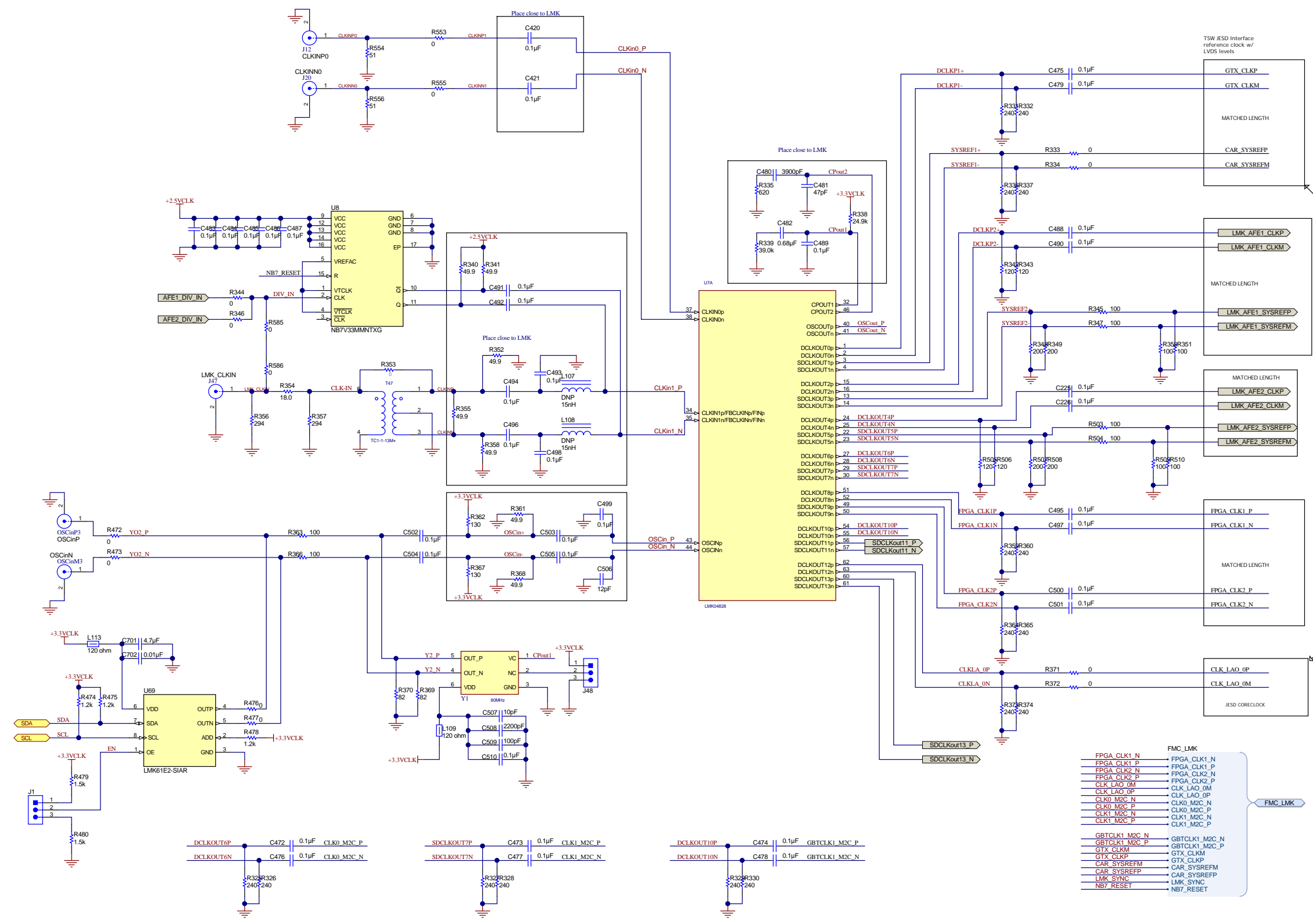
Orderable: NA	Designed for: Public Release	Mod. Date: 1/31/2019
TID #: 010132	Project Title: TIDA-010132	
Number: TIDA-010132	Rev: E1	Sheet Title:
SVN Rev: Not in version control	Assembly Variant: 001	Sheet: 22 of 32
Drawn By: Avinash N	File: AFE2-GROUND_SchDoc	Size: B
Engineer: Sankar Sadasivam	Contact: http://www.ti.com/support	



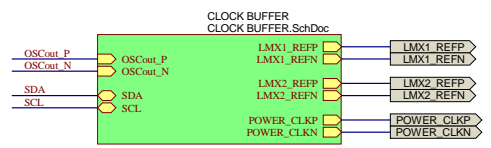
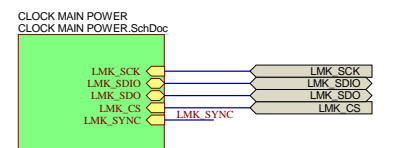


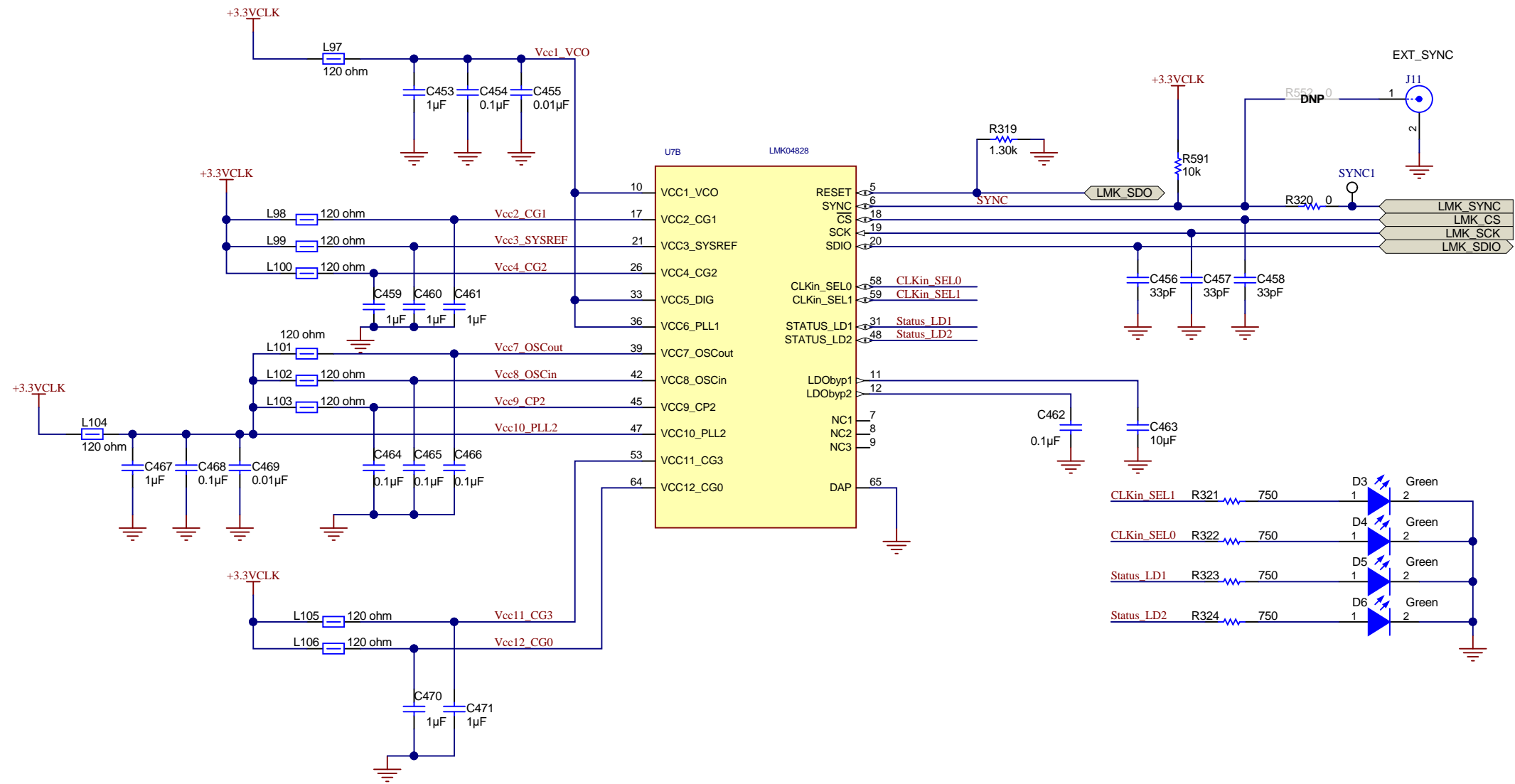
Texas Instruments and/or its licensors do not warrant the accuracy or completeness of this specification or any information contained therein. Texas Instruments and/or its licensors do not warrant that this design will meet the specifications, will be suitable for your application or fit for any particular purpose, or will operate in an implementation. Texas Instruments and/or its licensors do not warrant that the design is production worthy. You should completely validate and test your design implementation to confirm the system functionality for your application.

Orderable: NA	Designed for: Public Release	Mod. Date: 1/31/2019
TID #: 010132	Project Title: TIDA-010132	
Number: TIDA-010132	Rev: E1	Sheet: 23 of 32
SVN Rev: Not in version control	Assembly Variant: 001	Size: B
Drawn By: Avinash N	File: AFE2-POWER_SchDoc	
Engineer: Sankar Sadasivam	Contact: http://www.ti.com/support	



FMC LMK	
FPGA_CLK1_N	FPGA_CLK1_N
FPGA_CLK1_P	FPGA_CLK1_P
FPGA_CLK2_N	FPGA_CLK2_N
FPGA_CLK2_P	FPGA_CLK2_P
CLK_LAO_0M	CLK_LAO_0M
CLK_LAO_0P	CLK_LAO_0P
CLK0_M2C_N	CLK0_M2C_N
CLK0_M2C_P	CLK0_M2C_P
CLK1_M2C_N	CLK1_M2C_N
CLK1_M2C_P	CLK1_M2C_P
GBTCLK1_M2C_N	GBTCLK1_M2C_N
GBTCLK1_M2C_P	GBTCLK1_M2C_P
GTX_CLKM	GTX_CLKM
GTX_CLKP	GTX_CLKP
CAR_SYSREFM	CAR_SYSREFM
CAR_SYSREFP	CAR_SYSREFP
LMK_SYNC	LMK_SYNC
NB7_RESET	NB7_RESET

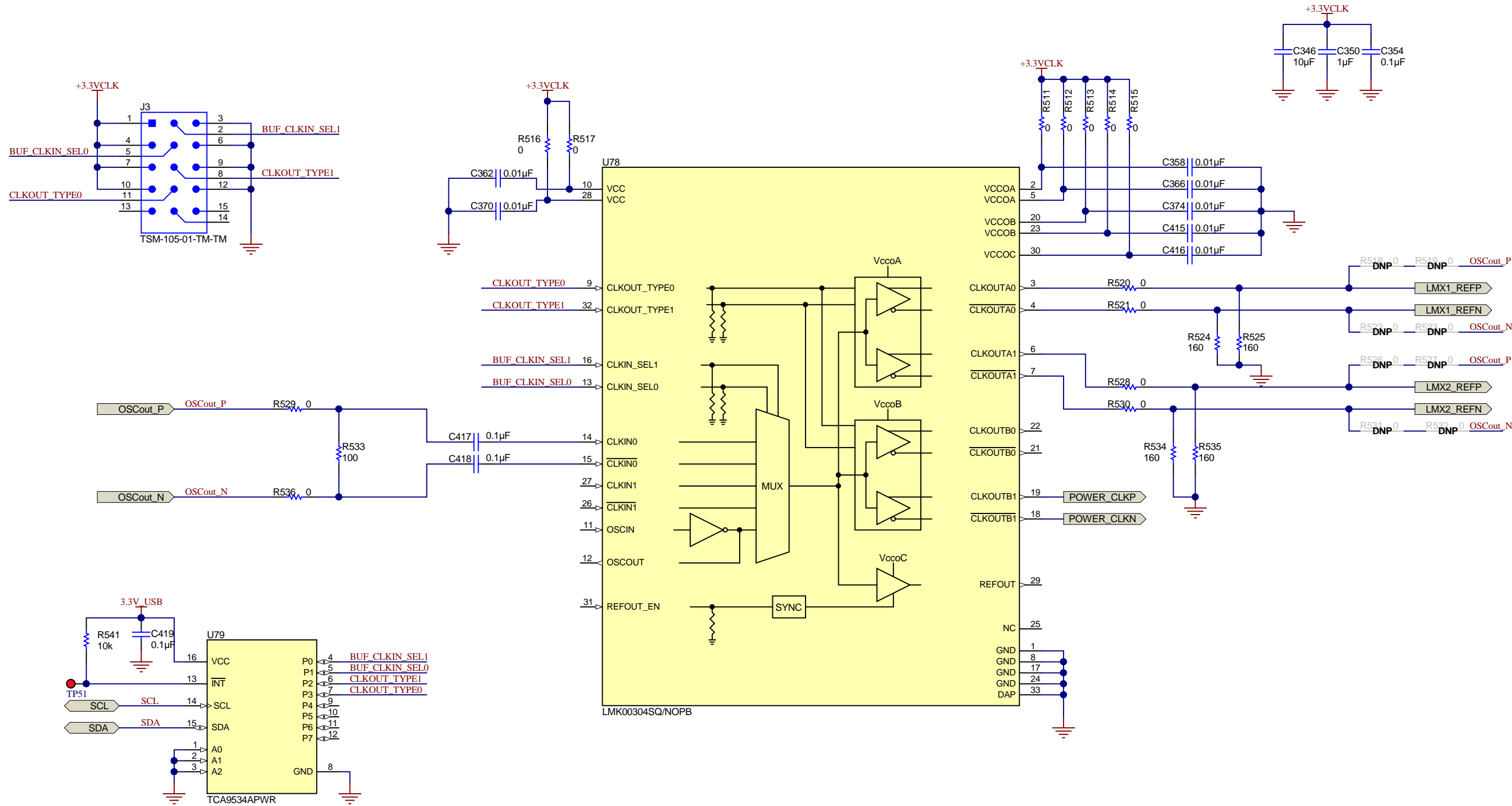




Texas Instruments and/or its licensors do not warrant the accuracy or completeness of this specification or any information contained therein. Texas Instruments and/or its licensors do not warrant that this design will meet the specifications, will be suitable for your application or fit for any particular purpose, or will operate in an implementation. Texas Instruments and/or its licensors do not warrant that the design is production worthy. You should completely validate and test your design implementation to confirm the system functionality for your application.

Orderable: NA	Designed for: Public Release	Mod. Date: 1/31/2019
TID #: 010132	Project Title: TIDA-010132	
Number: TIDA-010132	Rev: E1	Sheet Title:
SVN Rev: Not in version control	Assembly Variant: 001	Sheet: 25 of 32
Drawn By: Avinash N	File: CLOCK MAIN POWER.SchDoc	Size: B
Engineer: Sankar Sadasivam	Contact: http://www.ti.com/support	

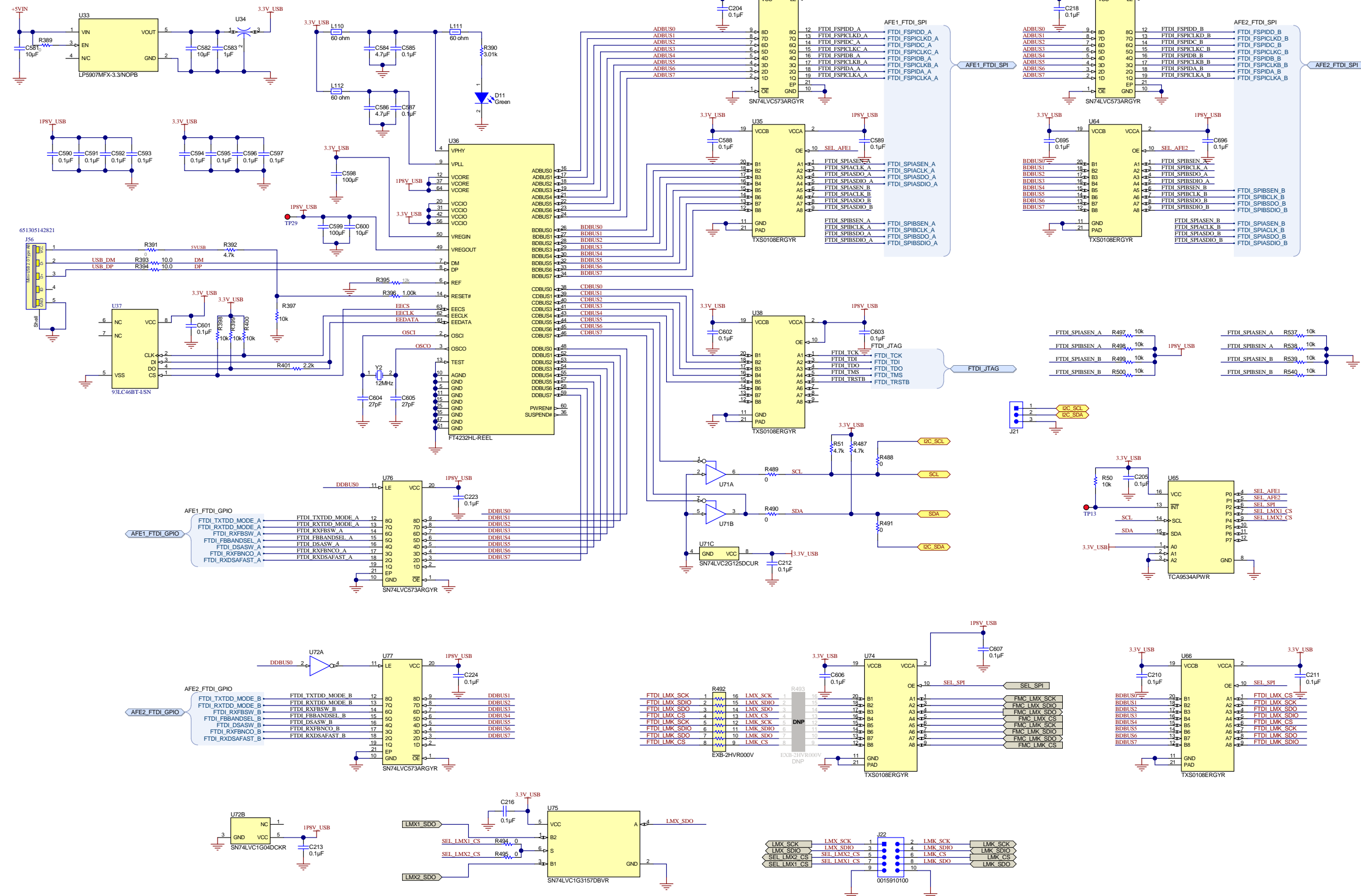
CLOCK BUFFER/MUX



Texas Instruments and/or its licensors do not warrant the accuracy or completeness of this specification or any information contained therein. Texas Instruments and/or its licensors do not warrant that this design will meet the specifications, will be suitable for your application or fit for any particular purpose, or will operate in an implementation. Texas Instruments and/or its licensors do not warrant that the design is production worthy. You should completely validate and test your design implementation to confirm the system functionality for your application.

Orderable: NA	Designed for: Public Release	Mod. Date: 1/31/2019
TID #: 010132	Project Title: TIDA-010132	
Number: TIDA-010132	Rev: E1	Sheet Title: LMK00304 Buffer
SVN Rev: Not in version control	Assembly Variant: 001	Sheet: 26 of 32
Drawn By: Avinash N	File: CLOCK BUFFER.SchDoc	Size: B
Engineer: Sankar Sadasivam	Contact: http://www.ti.com/support	

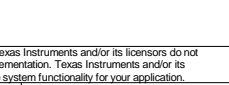
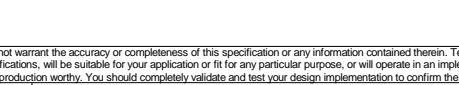
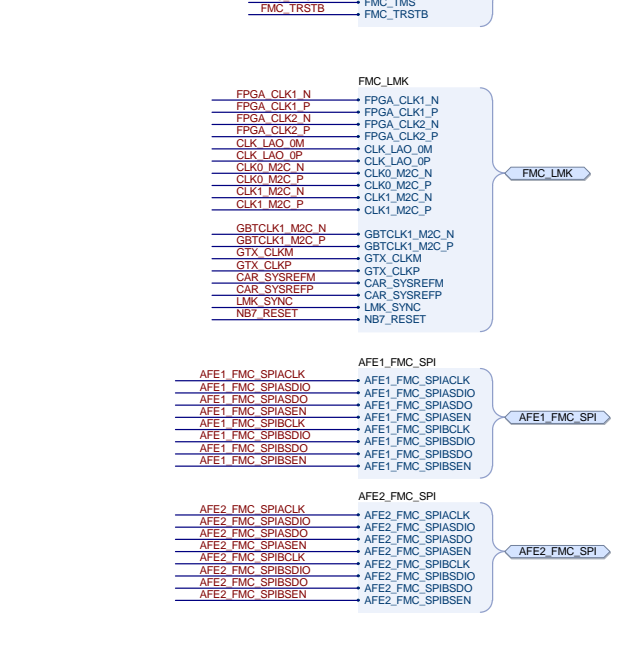
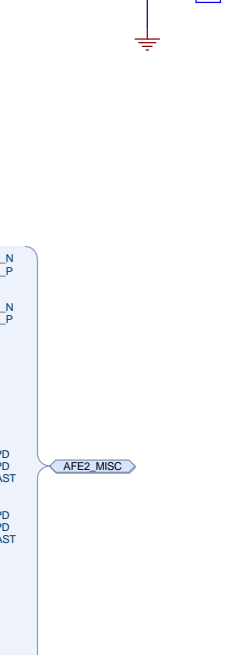
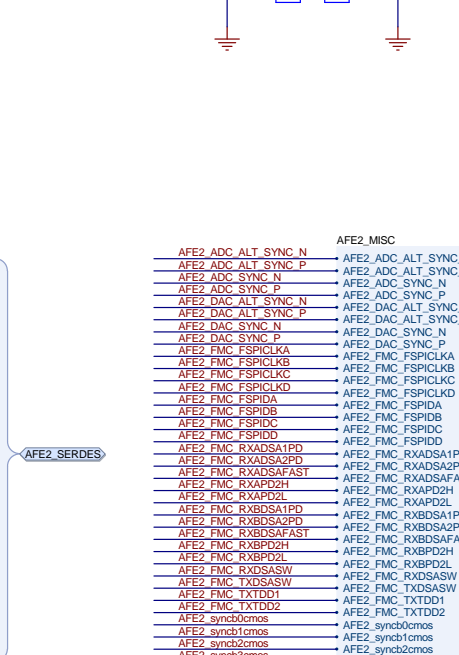
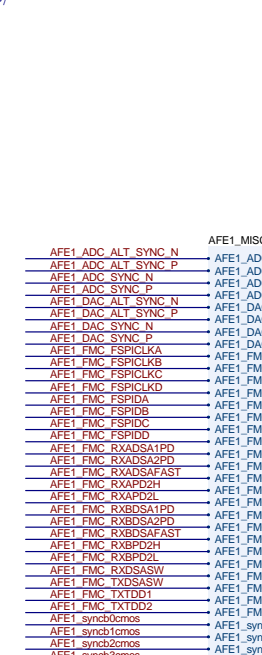
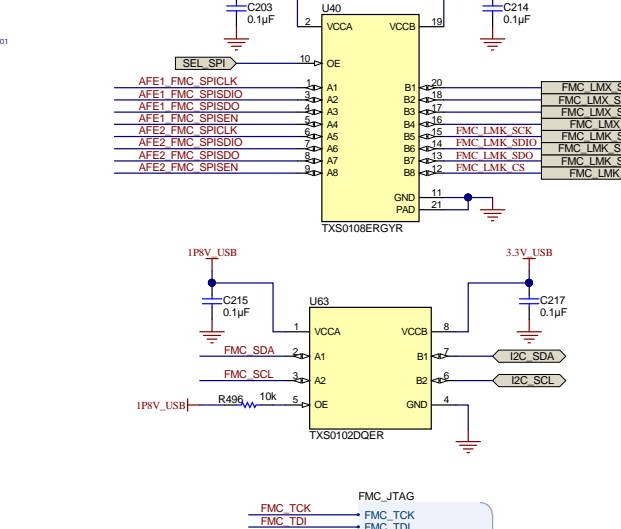
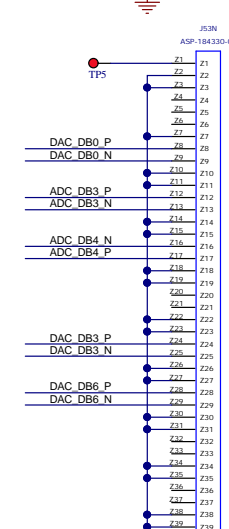
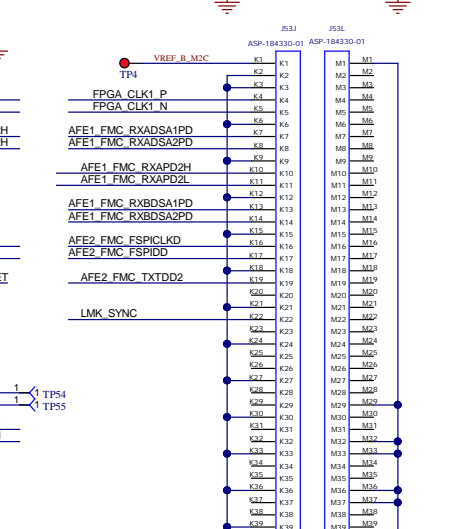
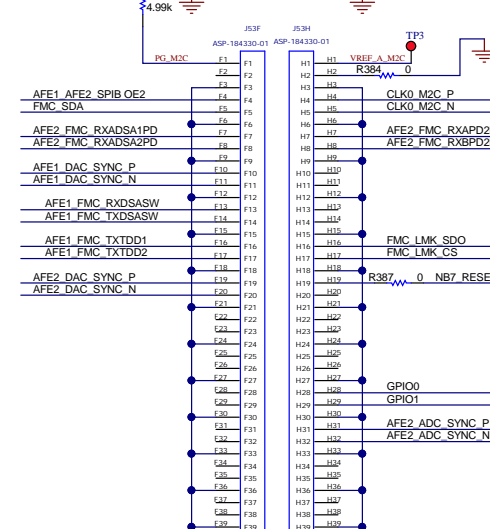
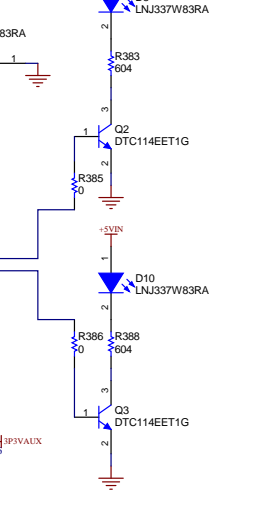
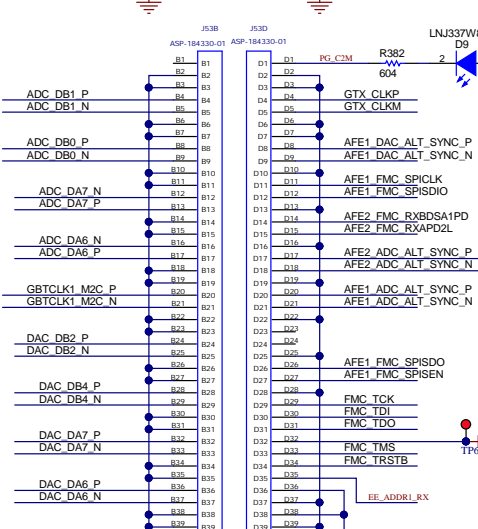
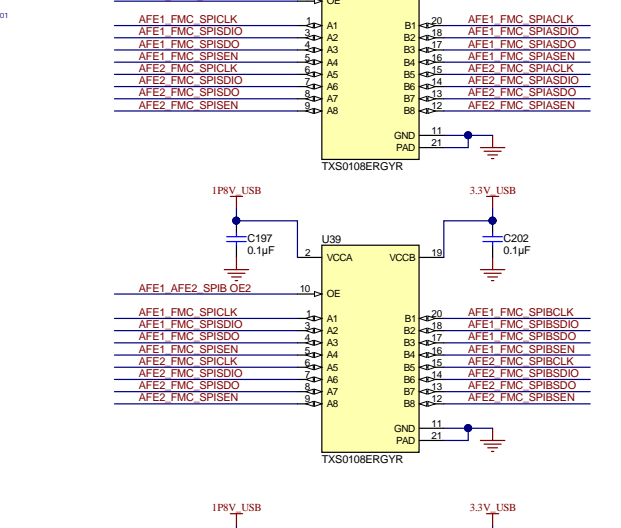
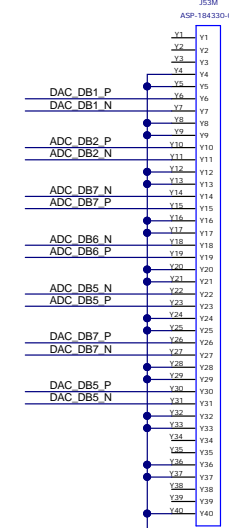
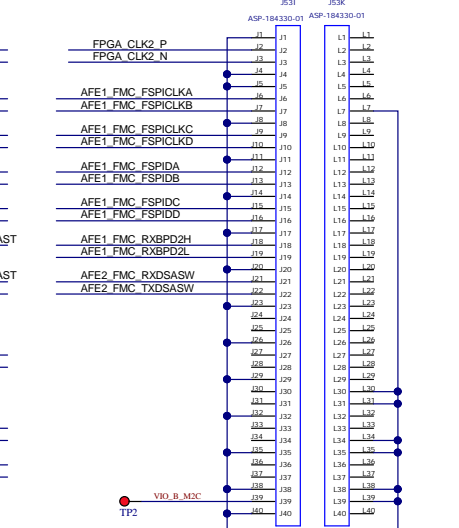
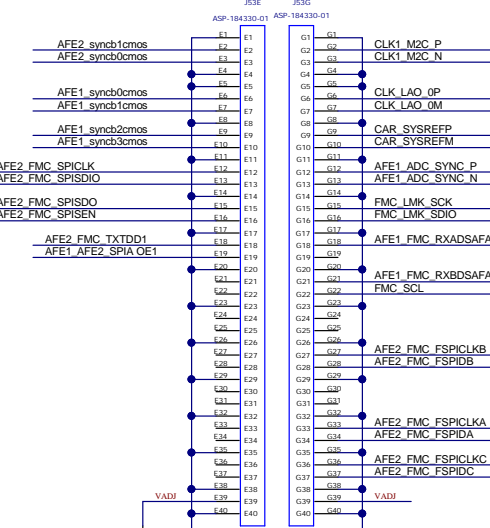
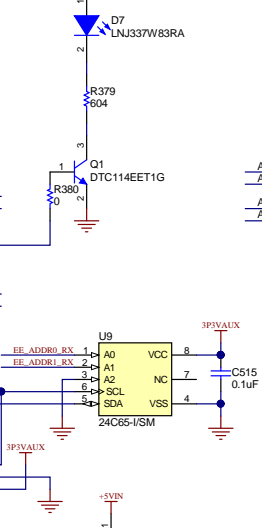
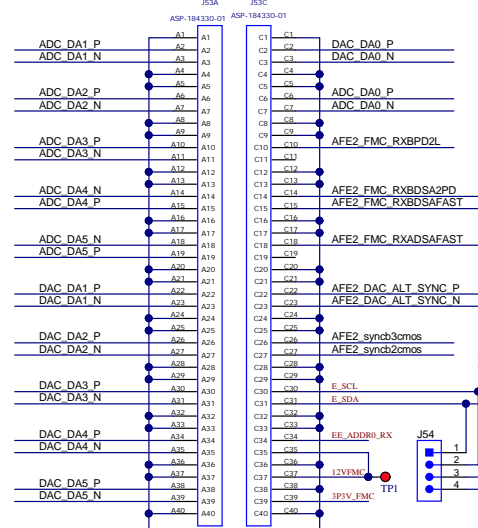
USB INTERFACE



nets are swapped in increment fashion as compared to even schematic

nets are swapped in increment fashion as compared to even schematic

Texas Instruments and/or its licensors do not warrant the accuracy or completeness of this specification or any information contained therein. Texas Instruments and/or its licensors do not warrant that this design will meet the specifications, will be suitable for your application or fit for any particular purpose, or will operate in an implementation. Texas Instruments and/or its licensors do not warrant that the design is production worthy. You should completely validate and test your design implementation to confirm the system functionality for your application.

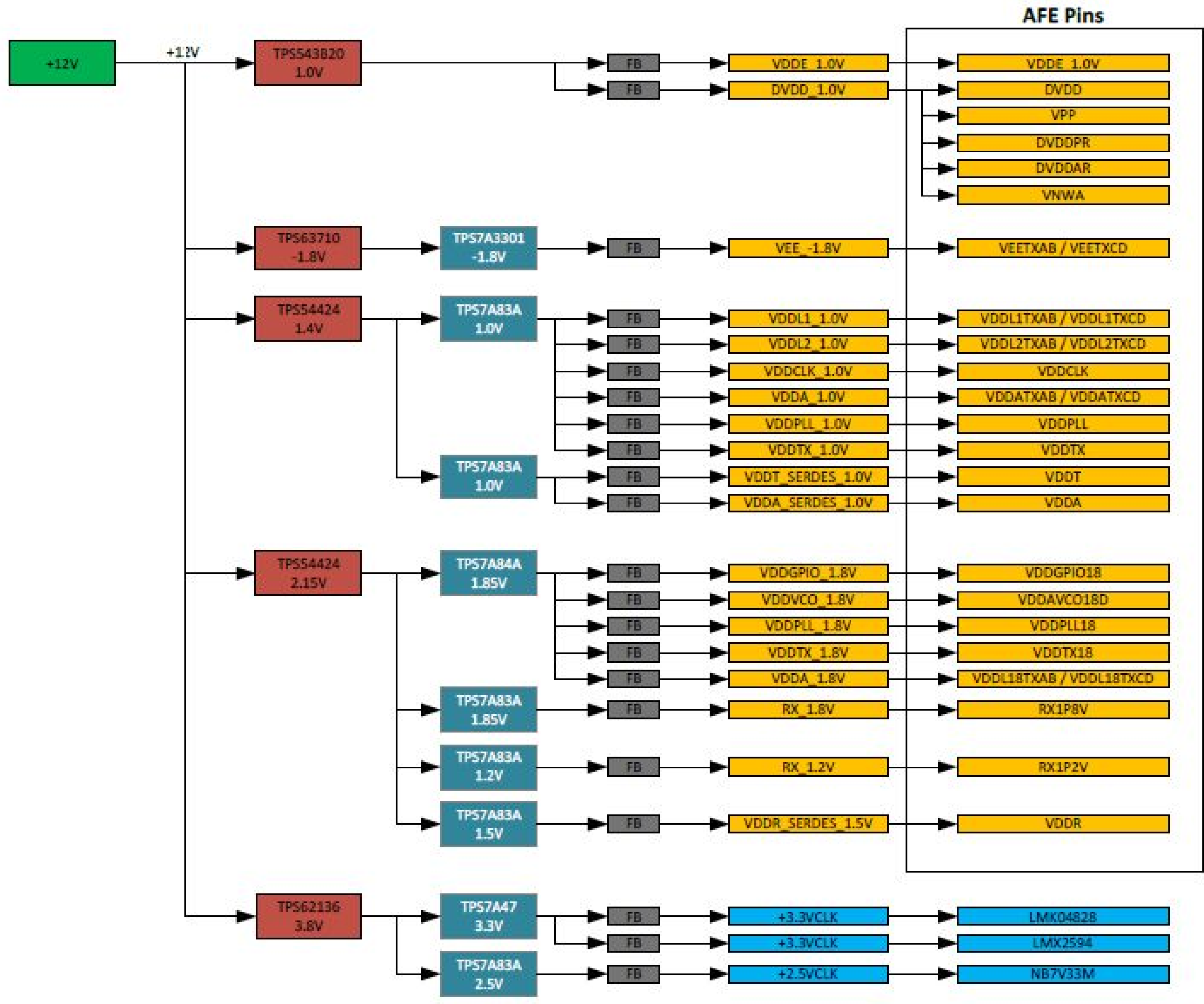


Orderable: NA
 TID # 010132
 Number: TIDA-010132
 Sheet Title: Not in version control
 Drawn By: Avinash N
 Engineer: Sankar Sathesvam

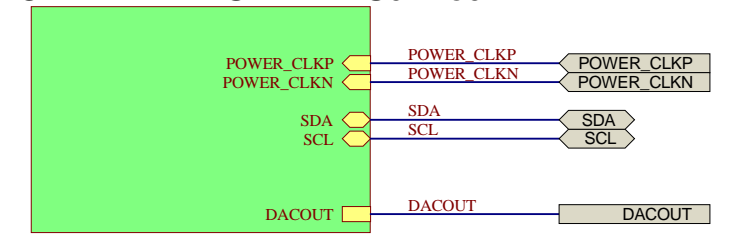
Designed for: Public Release
 Project Title: TIDA-010132
 Assembly Variant: 001
 File: FMC INTERFACE SHEET_SCHDoc
 Contact: http://www.ti.com/support

Mod Date: 1/31/2019
 Sheet 28 of 32
 Size: C
 © Texas Instruments 2018

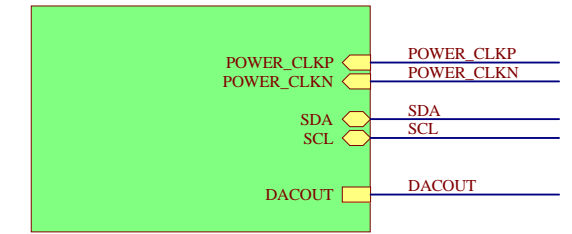
Texas Instruments and/or its licensors do not warrant the accuracy or completeness of this specification or any information contained therein. Texas Instruments and/or its licensors do not warrant that this design will meet the specifications, will be suitable for your application or fit for any particular purpose, or will operate in an implementation. Texas Instruments and/or its licensors do not warrant that the design is production worthy. You should completely validate and test your design implementation to confirm the system functionality for your application.



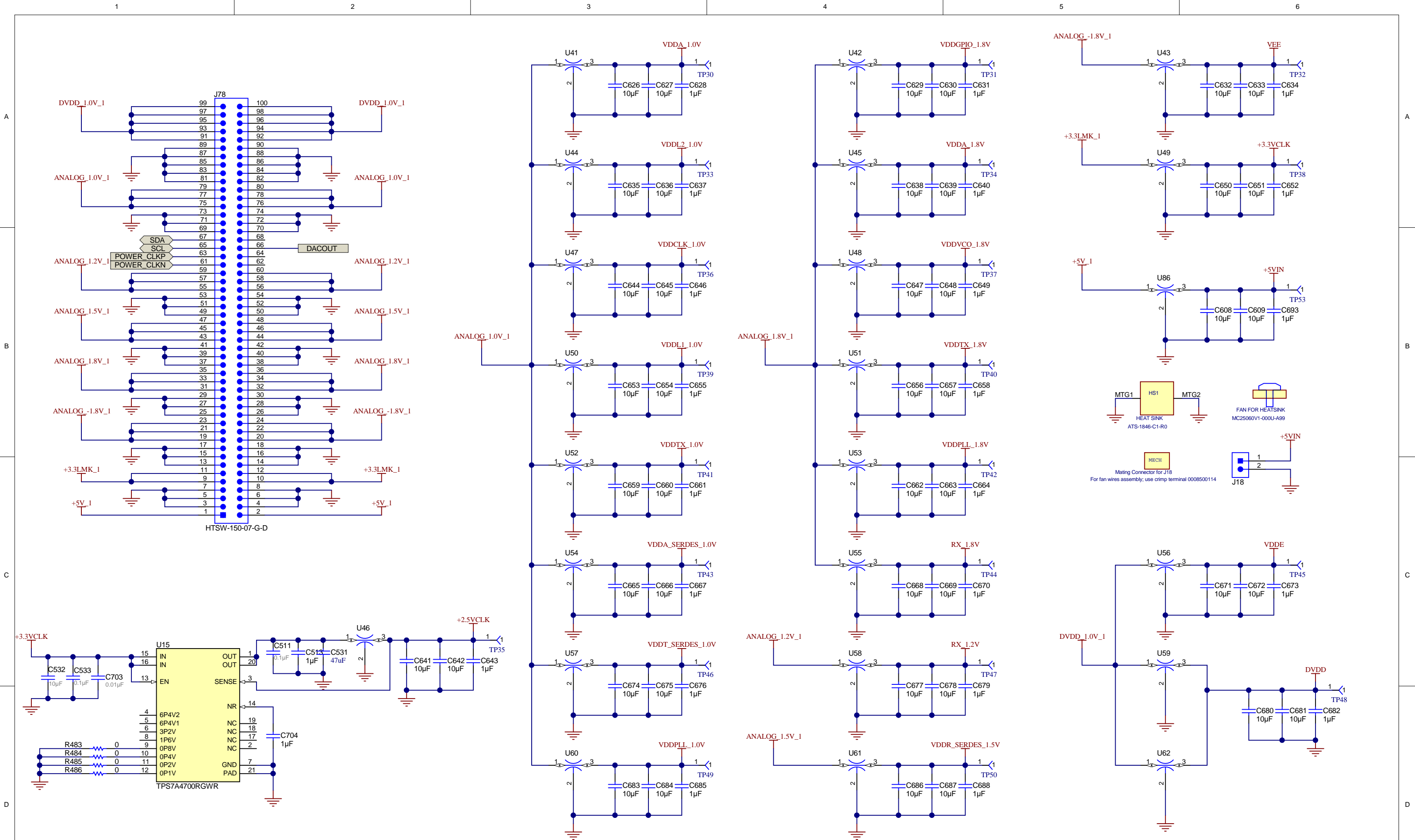
POWER MAIN SHEET1
POWER MAIN SHEET1.SchDoc



POWER MAIN SHEET2
POWER MAIN SHEET2.SchDoc



Texas Instruments and/or its licensors do not warrant the accuracy or completeness of this specification or any information contained therein. Texas Instruments and/or its licensors do not warrant that this design will meet the specifications, will be suitable for your application or fit for any particular purpose, or will operate in an implementation. Texas Instruments and/or its licensors do not warrant that the design is production worthy. You should completely validate and test your design implementation to confirm the system functionality for your application.



A

B

C

D

A

B

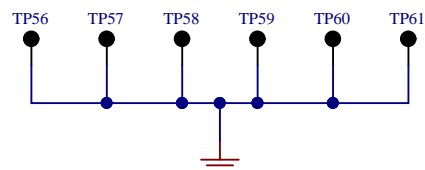
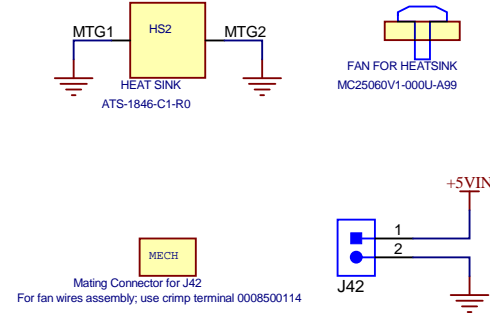
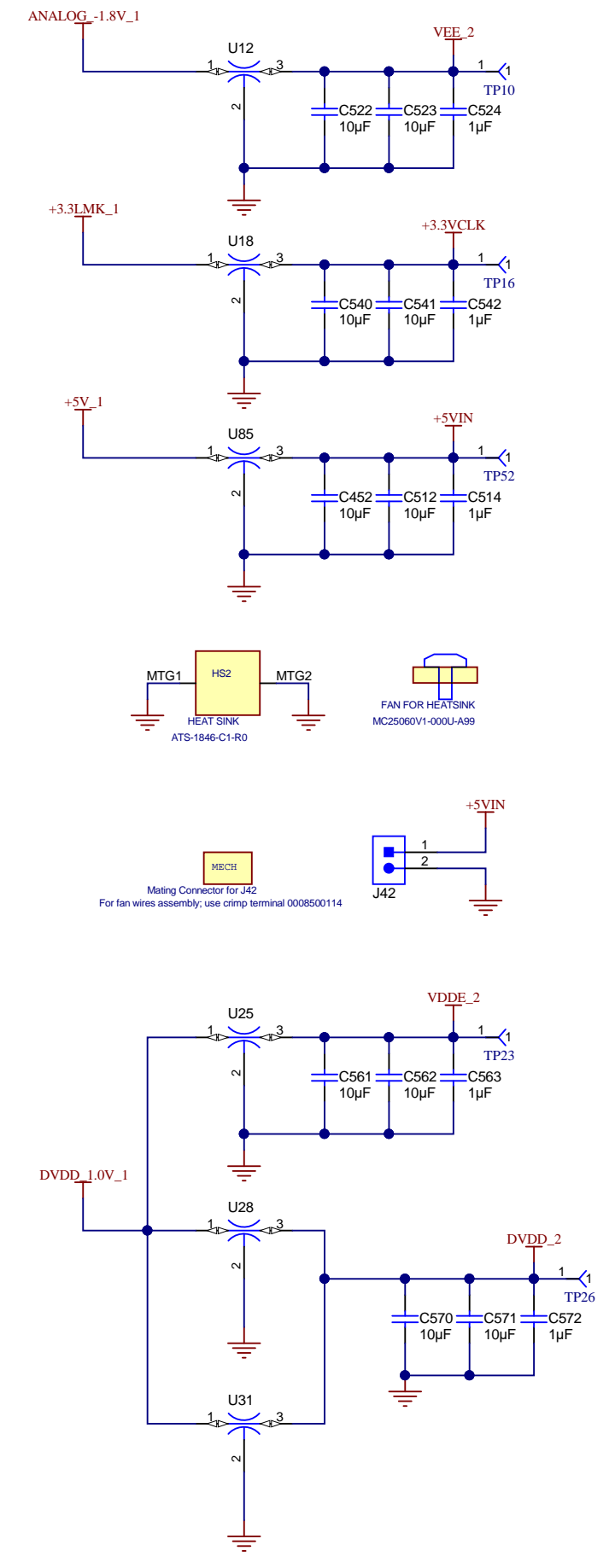
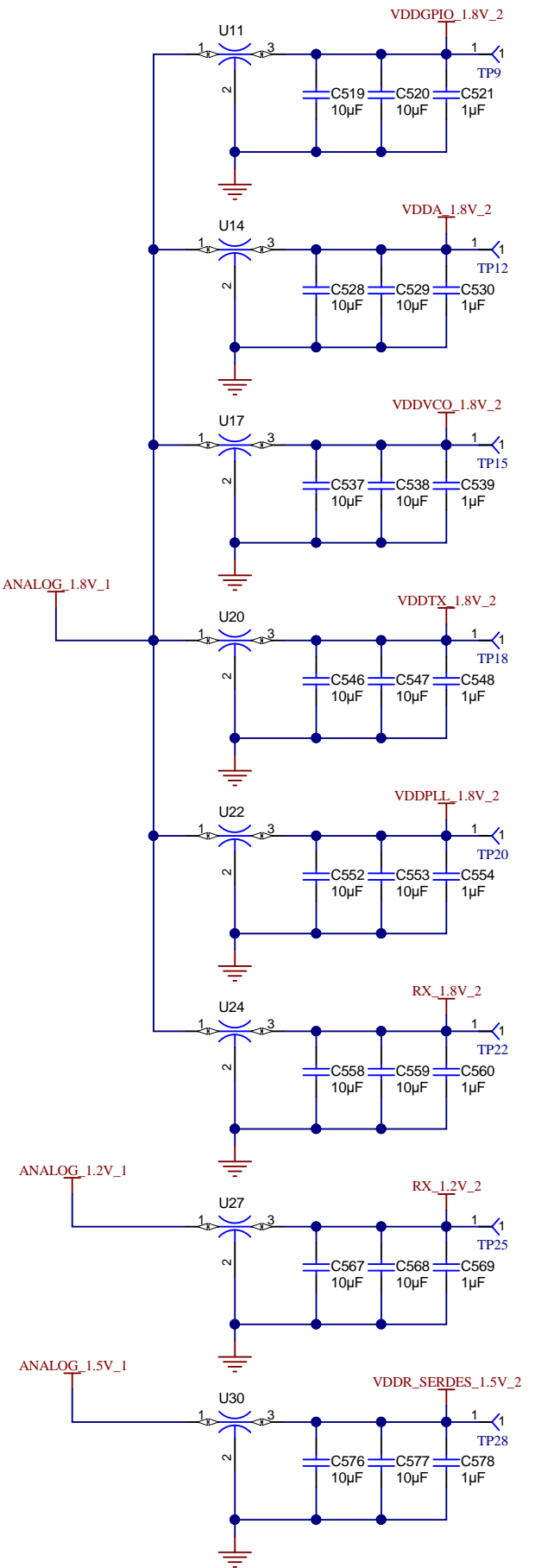
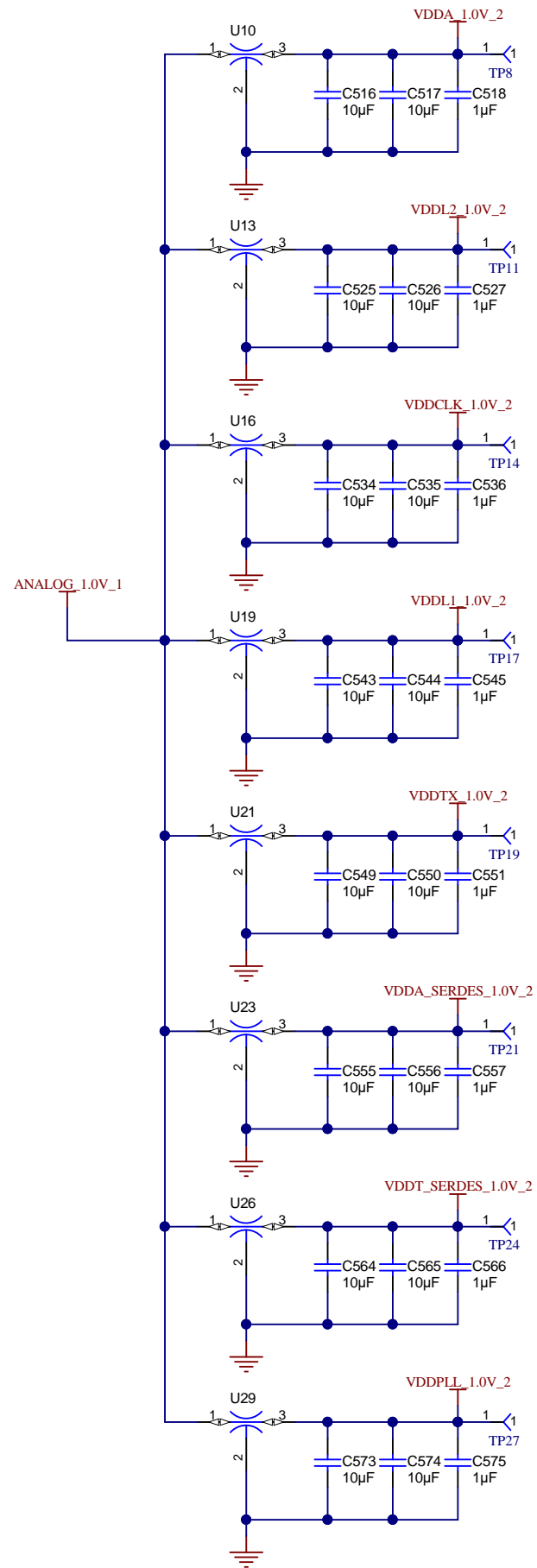
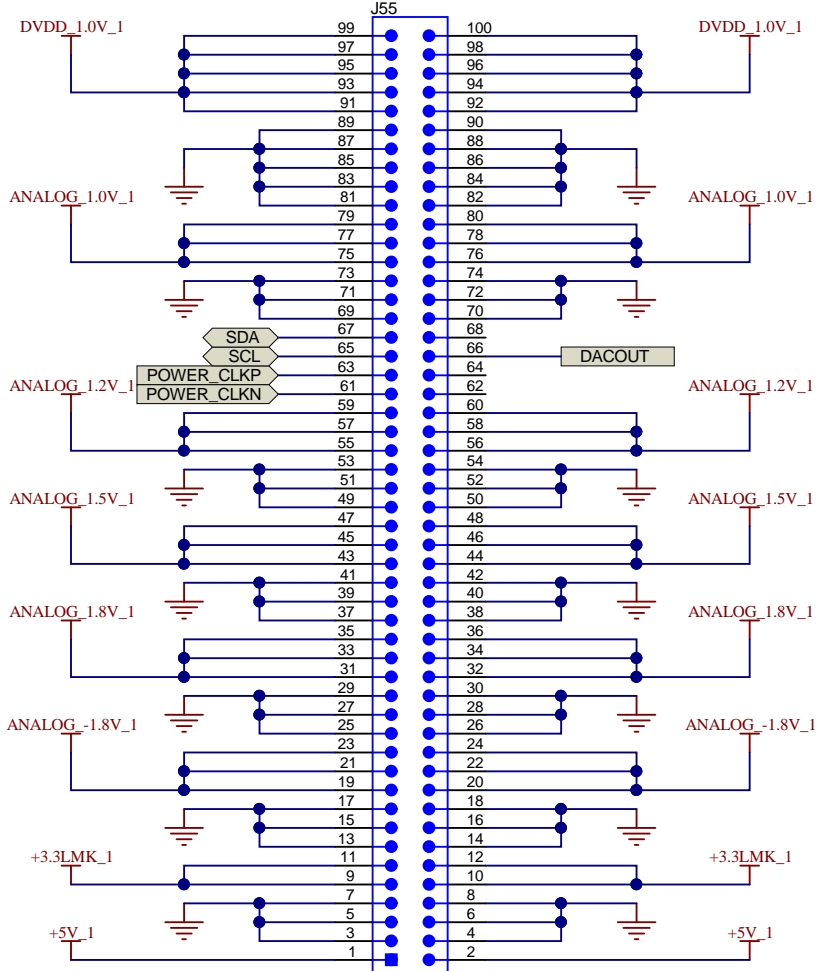
C

D

Texas Instruments and/or its licensors do not warrant the accuracy or completeness of this specification or any information contained therein. Texas Instruments and/or its licensors do not warrant that this design will meet the specifications, will be suitable for your application or fit for any particular purpose, or will operate in an implementation. Texas Instruments and/or its licensors do not warrant that the design is production worthy. You should completely validate and test your design implementation to confirm the system functionality for your application.

Orderable: NA	Designed for: Public Release	Mod. Date: 1/31/2019
TID #: 010132	Project Title: TIDA-010132	
Number: TIDA-010132	Rev: E1	Sheet Title:
SVN Rev: Not in version control	Assembly Variant: 001	Sheet: 30 of 32
Drawn By: Avinash N	File: POWER MAIN SHEET1.SchDoc	Size: B
Engineer: Sankar Sadasivam	Contact: http://www.ti.com/support	



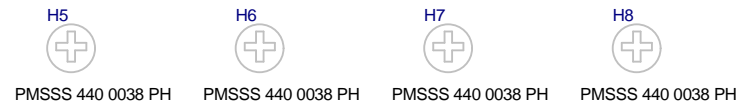


Texas Instruments and/or its licensors do not warrant the accuracy or completeness of this specification or any information contained therein. Texas Instruments and/or its licensors do not warrant that this design will meet the specifications, will be suitable for your application or fit for any particular purpose, or will operate in an implementation. Texas Instruments and/or its licensors do not warrant that the design is production worthy. You should completely validate and test your design implementation to confirm the system functionality for your application.

Orderable: NA	Designed for: Public Release	Mod. Date: 1/31/2019
TID #: 010132	Project Title: TIDA-010132	
Number: TIDA-010132	Rev: E1	Sheet Title:
SVN Rev: Not in version control	Assembly Variant: 001	Sheet: 31 of 32
Drawn By: Avinash N	File: POWER MAIN SHEET2.SchDoc	Size: B
Engineer: Sankar Sadasivam	Contact: http://www.ti.com/support	



© Texas Instruments 2018



PCB Number: TIDA-010132
PCB Rev: E1

PCB LOGO
WEEE logo

PCB LOGO
Logo5

PCB LOGO

You should delete the nylon screws/standoffs and/or the bumpons as needed for your design (or substitute other parts from Hardware.IntLib). Bumpons are cheaper, but provide less clearance.

Deleting anything else from this page may result in your EVM submission being rejected (until you add them back).

Update the Label Text in the Label Table as needed for each Assembly Variant.

You should delete this note too.

Variant/Label Table	
Variant	Label Text
001	ChangeMe!
002	ChangeMe!

LBL1
PCB Label
Size: 0.65" x 0.20"

ZZ1
Label Assembly Note
This Assembly Note is for PCB labels only

ZZ2
Assembly Note
This Assembly Note will show in the PcbDoc and associated outputs

ZZ3
Assembly Note
This Assembly Note will show in the PcbDoc and associated outputs

ZZ4
Assembly Note
This Assembly Note will show in the PcbDoc and associated outputs

Orderable: NA	Designed for: Public Release	Mod. Date: 5/24/2019
TID #: 010132	Project Title: TIDA-010132	
Number: TIDA-010132	Rev: E1	Sheet Title:
SVN Rev: Not in version control	Assembly Variant: 001	Sheet: 32 of 32
Drawn By: Avinash N	File: EVM_Hardware_SchDoc	Size: B
Engineer: Sankar Sadasivam	Contact: http://www.ti.com/support	



Texas Instruments and/or its licensors do not warrant the accuracy or completeness of this specification or any information contained therein. Texas Instruments and/or its licensors do not warrant that this design will meet the specifications, will be suitable for your application or fit for any particular purpose, or will operate in an implementation. Texas Instruments and/or its licensors do not warrant that the design is production worthy. You should completely validate and test your design implementation to confirm the system functionality for your application.

IMPORTANT NOTICE AND DISCLAIMER

TI PROVIDES TECHNICAL AND RELIABILITY DATA (INCLUDING DATASHEETS), DESIGN RESOURCES (INCLUDING REFERENCE DESIGNS), APPLICATION OR OTHER DESIGN ADVICE, WEB TOOLS, SAFETY INFORMATION, AND OTHER RESOURCES "AS IS" AND WITH ALL FAULTS, AND DISCLAIMS ALL WARRANTIES, EXPRESS AND IMPLIED, INCLUDING WITHOUT LIMITATION ANY IMPLIED WARRANTIES OF MERCHANTABILITY, FITNESS FOR A PARTICULAR PURPOSE OR NON-INFRINGEMENT OF THIRD PARTY INTELLECTUAL PROPERTY RIGHTS.

These resources are intended for skilled developers designing with TI products. You are solely responsible for (1) selecting the appropriate TI products for your application, (2) designing, validating and testing your application, and (3) ensuring your application meets applicable standards, and any other safety, security, or other requirements. These resources are subject to change without notice. TI grants you permission to use these resources only for development of an application that uses the TI products described in the resource. Other reproduction and display of these resources is prohibited. No license is granted to any other TI intellectual property right or to any third party intellectual property right. TI disclaims responsibility for, and you will fully indemnify TI and its representatives against, any claims, damages, costs, losses, and liabilities arising out of your use of these resources.

TI's products are provided subject to TI's Terms of Sale (www.ti.com/legal/termsofsale.html) or other applicable terms available either on ti.com or provided in conjunction with such TI products. TI's provision of these resources does not expand or otherwise alter TI's applicable warranties or warranty disclaimers for TI products.

Mailing Address: Texas Instruments, Post Office Box 655303, Dallas, Texas 75265
Copyright © 2019, Texas Instruments Incorporated